

Model: 944 85**Model life 1985>>1988**

ORDER-INFO

THIS PARTS CATALOGUE CONTAINS ALL ORDER INFORMATION OF
TYPE 944 FROM MODEL YEAR 1985/2 TO MODEL YEAR 1988

IT IS AVAILABLE IN TWO EDITIONS IN THE FOLLOWING LANGUAGES:

EDITION

USA, CANADA - *

EDITION

ALL OTHER COUNTRIES - GERMAN

* - ENGLISH

- FRENCH

- ITALIAN

- SPANISH

UPDATING IS BEING PERFORMED BY CHANGING OF UPDATE.

THE EDITION CAN BE RECOGNIZED BY THE CURRENT NO.
YEAR IN THE BOTTOM LINE OF SUBJECT UPDATE.

THE PREVIOUS UPDATE SHOULD NO LONGER BE USED.

ALL ILLUSTRATIONS ARE SUBJECT TO CHANGE WITHOUT OBLIGATION.

Model: 944 85

Model life 1985>>1988

EXPLANAT.- VIN

EXPLANATION OF THE ABRIDGED VERSION OF THE VEHICLE IDENT. NUMBERS (VIN)
 =====
 USED IN THE CATALOGUE
 =====

DIGIT:		1	2	3	4	5	6	7	8	9	10	11	12	13	14	15	16	17
--------	--	---	---	---	---	---	---	---	---	---	----	----	----	----	----	----	----	----

EXAMPLE:		W	P	O	Z	Z	Z	9	4	Z	J	N	4	0	0	1	2	5
----------	--	---	---	---	---	---	---	---	---	---	---	---	---	---	---	---	---	---

					===			=		=		=		=====				
--	--	--	--	--	-----	--	--	---	--	---	--	---	--	-------	--	--	--	--

					!			!	!	!		!				!		
VEHICLE TYPE 1ST+2ND DIGIT-----+								!	!	!		!				!		
								!	!	!		!				!		
MODEL YEAR-----+												!	!			!		
												!	!			!		
MANUFACTURING LOCATION-----+												!	!			!		
												!	!			!		
VEHICLE TYPE 3RD DIGIT-----+																!		
																!		
SERIAL NUMBER-----+																		

Model: 944 85

Model life 1985>>1988

SUMMARY TYPES

VEHICLE TYPE	MY	VEHICLE IDENT.NR.	ENGINE TYPE
944	85 F	94FN4 00001>30000	M44.05/06 120KW
944 (USA)(CDN)	85 F	94FN4 50001>80000	M44.07/08 110KW
944 (J)	85 F	94FN4 00001>30000	M44.07/08 110KW
944	86 G	94GN4 00001>30000	M44.05/06 120KW
944 M298 (J)	86 G	94GN4 00001>30000	M44.07 110KW
944 M299	86 G	94GN4 00001>30000	M44.08 110KW
944 (USA)(CDN)	86 G	94GN4 50001>80000	M44.07/08 110KW
944 TURBO	86 G	95GN1 40001>50000	M44.50 162KW
944 TURBO	86 G	95GN1 00001>40000	M44.51 162KW
944 TURBO (USA)(CDN)	86 G	95GN1 50001>70000	M44.51 162KW
944	87 H	94HN4 20001>50000	M44.05/06 120KW
944 M298	87 H	94HN4 20001>50000	M44.07 110KW
944 M299	87 H	94HN4 20001>50000	M44.08 110KW
944 S	87 H	94HN4 00001>08000	M44.40 140KW
944 S M637	87 H	94HN4 08001>20000	M44.40 140KW
944 S (USA)(CDN)	87 H	94HN4 50001>60000	M44.40 135KW
944 S (USA)(CDN) M637	87 H	94HN4 60001>65000	M44.40 135KW
944 S (USA)(CDN) M562	87 H	94HN4 65001>80000	M44.40 135KW
944 TURBO	87 H	95HN1 00001>04000	M44.51 162KW
944 TURBO M637	87 H	95HN1 04001>50000	M44.51 162KW
944 TURBO (USA)	87 H	95HN1 50001>60000	M44.51 162KW
944 TURBO (CDN)	87 H	95HN1 60001>65000	M44.51 162KW
944 TURBO (CDN) M637	87 H	95HN1 65001>70000	M44.51 162KW
944	88 J	94JN4 20001>70000	M44.09/10 118KW
944 (USA)(CDN)	88 J	94JN4 70001>80000	M44.09/10 118KW
944 (USA)(CDN) M562/563	88 J	94JN4 80001>90000	M44.10 118KW
944 S	88 J	94JN4 00001>08000	M44.40 140KW
944 S M637	88 J	94JN4 08001>50000	M44.40 140KW
944 S (USA)(CDN) M637	88 J	94JN4 50001>65000	M44.40 140KW
944 S (USA)(CDN) M562/563	88 J	94JN4 65001>80000	M44.40 140KW
944 TURBO	88 J	95JN1 00001>04000	M44.51 162KW
944 TURBO M637	88 J	95JN1 04001>10000	M44.51 162KW
944 TURBO (USA)	88 J	95JN1 50001>60000	M44.51 162KW
944 TURBO (CDN)	88 J	95JN1 60001>65000	M44.51 162KW
944 TURBO (CDN) M637	88 J	95JN1 65001>80000	M44.51 162KW
944 TURBO S	88 J	95JN1 04001>50000	M44.52 184KW
944 TURBO S (USA)	88 J	95JN1 50001>60000	M44.52 184KW

Model: 944 85

Model life 1985>>1988

EXPL. ENGINE-NO.

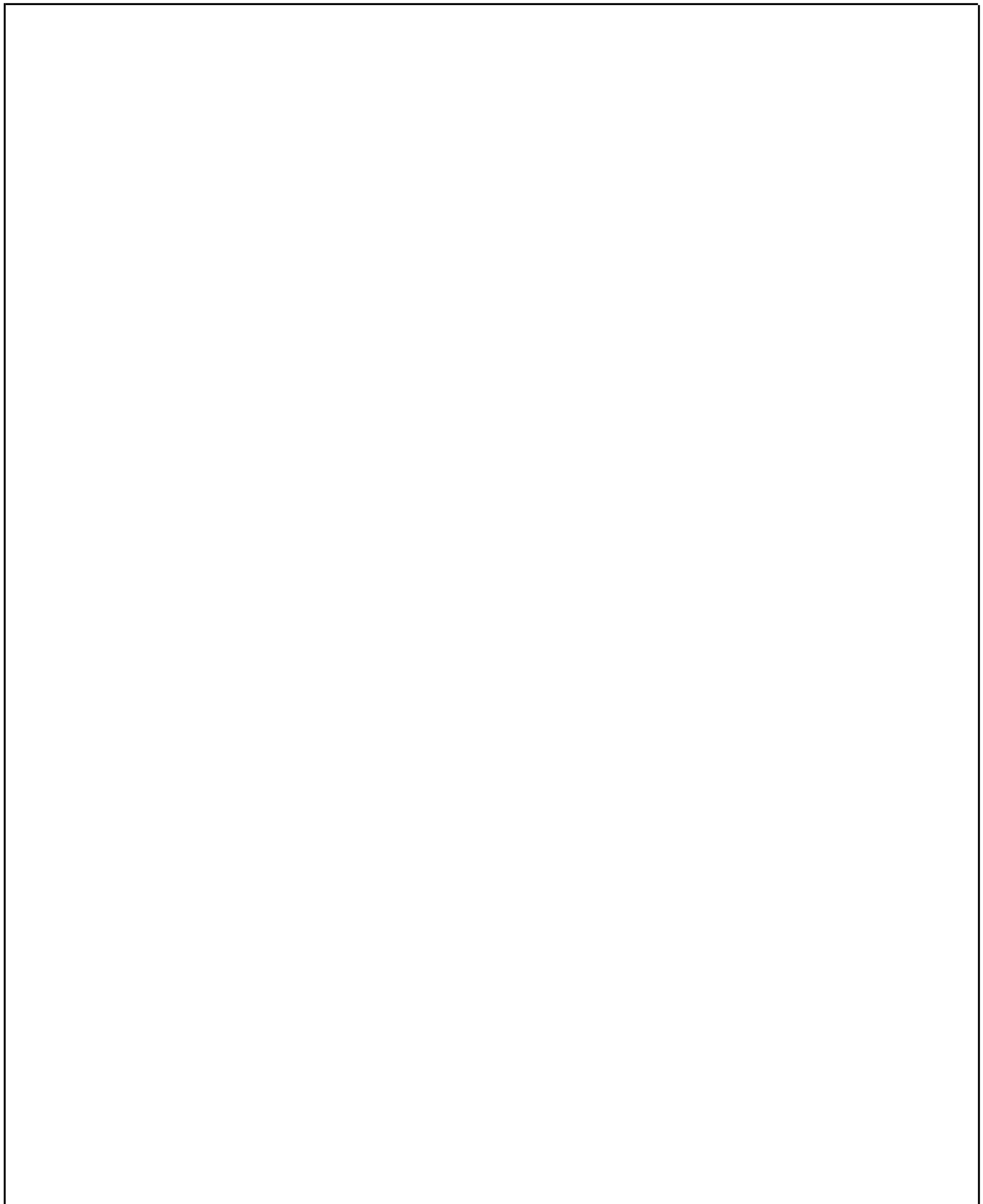
EXPLANATION OF THE MOTOR-NUMBERS USED IN THE CATALOGUE

=====

DIGIT:	1	2	3	4	5	6	7	8
EXAMPLE:	4	5	J	0	0	1	3	6
	=	=	=	=====				
		!	!	!		!		
ENGINE TYPE (4 = 4-CYL.-ENGINE)-----+		!	!			!		
		!	!			!		
ENGINE VERSION-----+			!			!		
			!			!		
MODEL YEAR-----+						!		
						!		
SERIAL NUMBER-----+								!

Model: 944 85

Model life 1985>>1988



Model: 944 85

Model life 1985>>1988

SUMMARY ENGINE

VEHICLE TYPE	ENGINE			ENGINE NO.	TECHNICAL DATA
	TYPE	MY			
944	M44.05	85 F	41F	00001>20000	4CYL/2,5L/120KW
944 M249	M44.06	85 F	41F	20001>30000	4CYL/2,5L/120KW
944	M44.07	85 F	43F	00001>20000	4CYL/2,5L/110KW
944 M249	M44.08	85 F	43F	20001>30000	4CYL/2,5L/110KW
944	M44.05	86 G	41G	00001>20000	4CYL/2,5L/120KW
944 M298	M44.06	86 G	41G	20001>30000	4CYL/2,5L/120KW
944 M298	M44.07	86 G	43G	00001>60000	4CYL/2,5L/110KW
944 M299	M44.08	86 G	43G	60001>90000	4CYL/2,5L/110KW
944 TURBO	M44.50	86 G	44G	00001>00400	4CYL/2,5L/162KW
944 TURBO	M44.51	86 G	45G	00001>20000	4CYL/2,5L/162KW
944	M44.05	87 H	41H	00001>20000	4CYL/2,5L/120KW
944 M249	M44.06	87 H	41H	20001>30000	4CYL/2,5L/120KW
944 M298	M44.07	87 H	43H	00001>60000	4CYL/2,5L/110KW
944 M299	M44.08	87 H	43H	60001>90000	4CYL/2,5L/110KW
944 S	M44.40	87 H	42H	00001>50000	4CYL/2,5L/140KW
944 TURBO	M44.51	87 H	45H	00001>10000	4CYL/2,5L/162KW
944	M44.09	88 J	46J	00001>60000	4CYL/2,5L/118KW
944 M249	M44.10	88 J	46J	60001>70000	4CYL/2,5L/118KW
944 S	M44.40	88 J	42J	00001>50000	4CYL/2,5L/140KW
944 TURBO	M44.51	88 J	45J	00001>10000	4CYL/2,5L/162KW
944 TURBO S	M44.52	88 J	47J	00061>10000	4CYL/2,5L/184KW

Model: 944 85

Model life 1985>>1988

EXPL. TRANSM. NO.

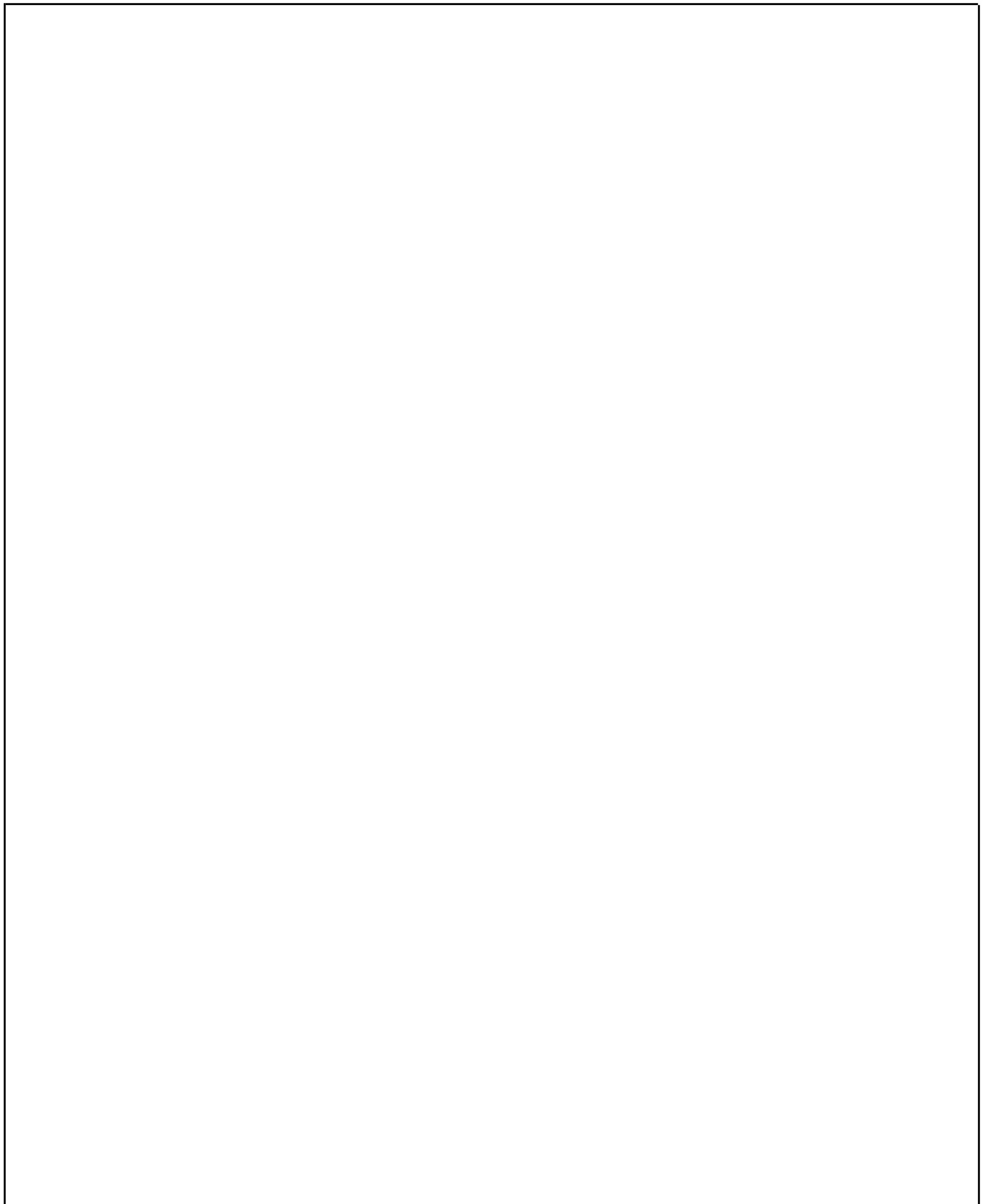
EXPLANATION OF THE TRANSMISSION-NUMBERS USED IN THE CATALOGUE

=====

DIGIT:	1	2	3	4	5	6	7	8
EXAMPLE:	A	O	S	1	9	0	2	0
	=====			====		====		=
		!		!		!		!
		!		!		!		!
CODE LETTERS-----+				!		!		!
				!		!		!
MANUFACTURING DAY-----+						!		!
						!		!
MANUFACTURING MONTH-----+								!
								!
MANUFACTURING YEAR-----+								!

Model: 944 85

Model life 1985>>1988



Model: 944 85

Model life 1985>>1988

SUMM. TRANSMISS.

VEHICLE TYPE	TRANSM.			TECHNICAL DATA
	TYPE	MY	TRANSMISSION NO.	
944	016 J	85 F	5Y>	5-SPEED
944 M220	016 J	85 F	5Z>	5-SPEED
944 M249	087 M	85 F	RCE.. .. .>	3-SPEED
944 (USA)(CDN)(J)	016 K	85 F	5S>	5-SPEED
944 (USA)(CDN)(J)M220	016 K	85 F	7V>	5-SPEED
944 (USA)(CDN)(J)M249	087 N	85 F	RCF.. .. .>	3-SPEED
944	016 J	86 G	5Y>	5-SPEED
944 M220	016 J	86 G	5Z>	5-SPEED
944 M249	087 M	86 G	RCE.. .. .>	3-SPEED
944 TURBO	016 R	86 G	5P>	5-SPEED
944 TURBO M220	016 R	86 G	5R>	5-SPEED
944 (USA)(CDN)(J)	016 K	86 G	5S>	5-SPEED
944 (USA)(CDN)(J)M220	016 K	86 G	7V>	5-SPEED
944 (USA)(CDN)(J)M249	087 N	86 G	RCF.. .. .>	3-SPEED
944	016 J	87 H	5Y>	5-SPEED
944 M220	016 J	87 H	5Z>	5-SPEED
944 M249	087 M	87 H	RCE.. .. .>	3-SPEED
944 S	083 D	87 H	AGP.. .. .>	5-SPEED
944 S M220	083 D	87 H	AGR.. .. .>	5-SPEED
944 TURBO	016 R	87 H	5P>	5-SPEED
944 TURBO M220	016 R	87 H	5R>	5-SPEED
944 TURBO	016 S	87 H	UY>	5-SPEED
944 TURBO M220	016 S	87 H	9U>	5-SPEED
944 (USA)(CDN)	016 K	87 H	5S>	5-SPEED
944 (USA)(CDN) M220	016 K	87 H	7V>	5-SPEED
944 (USA)(CDN) M249	087 N	87 H	RCF.. .. .>	3-SPEED
944	016 J	88 J	5Y>	5-SPEED
944 M220	016 J	88 J	5Z>	5-SPEED
944 M249	087 M	88 J	RCE.. .. .>	3-SPEED
944 S	083 D	88 J	AGP.. .. .>	5-SPEED
944 S M220	083 D	88 J	AGR.. .. .>	5-SPEED
944 TURBO	016 R	88 J	5P>	5-SPEED
944 TURBO M220	016 R	88 J	5R>	5-SPEED
944 TURBO	016 S	88 J	UY>	5-SPEED
944 TURBO M220	016 S	88 J	9U>	5-SPEED
944 TURBO S	016 R	88 J	5R>AOR	5-SPEED
944 (USA)(CDN)	087 N	88 J	RCF.. .. .>	3-SPEED

Model: 944 85

Model life 1985>>1988

LEGENDS/NOTICES

LEGENDS AND NOTICES

=====

IN COLUMN -S- STATUS

- N NEW ADDITION
- P PART ALREADY IN PROGRAMME, BUT NEW AT THIS APPLICATION
- W DELETED AT THIS APPLICATION, BUT CONTINUED TO BE CARRIED
- A STOCK TO BE USED UP
- U DELETED WITHOUT REPLACEMENT
- * PART ALSO OR ONLY AVAILABLE IN REPAIR KIT
- > ALSO AVAILABLE IN EXCHANGE

IN COLUMN - ILL. -

- 1 IDENTIFICATION NO. IN ILLUSTRATION
- (1) PART ONLY SIMILAR AS ILLUSTRATED
- PART IS NOT ILLUSTRATED

FIG.-NUMBERS FOR WHICH THERE IS SHOWN NO TEXT ARE NOT VALID FOR THIS EDITION OF CATALOGUE

IN COLUMN -PART NUMBER/CODE-

000 000 000 00 PART NUMBER EQUALS ORDERING NO., IF A CODE IS SHOWN, IT WILL HAVE TO BE PART OF ORDERING NUMBER

AC3 COLOUR CODE

IN COLUMN -TEXT

INSTALLATION WIRH ENGINE OR CHASSIS NUMBER-RANGE

EXAMPLE:

M 41F 00134 >> FROM ENGINE NO.

Model: 944 85**Model life 1985>>1988**

F >> 94 HN40 00143 UP TO VIN

Model: 944 85

Model life 1985>>1988

LEGENDS/NOTICES

IN COLUMN - A -

IDENTIFICATION LETTER FOR PERIOD OF INSTALLATION
THAT IS REPEATED SEVERAL TIMES IN THE CATALOG GROUP.

EXPLANATION PLEASE FIND IN TEXT COLUMN OF THE CATALOG GROUP

IN COLUMN - QU - = NO. OF PIECES

- 1 NUMBER PER APPLICATION
- X NUMBER AS NEEDED
- * AVAILABLE ONLY IN RUNNING LENGTHS 1 = 1 METRE

IN COLUMN - MODEL/SYMBOL -

- M650 OPTIONAL EQUIPMENT - SEE M-NO. LIST
- 88 LIMITATION OF MODEL YEAR FOR INSTANCE: VALID UP TO
END OF MODEL YEAR 1988
- /LL LHD
- /RL RHD
- +
- /V FRONT I
I
- /H REAR I
I----> APPLIES TO
- /L LEFT I DIRECTION OF TRAVEL
I
- /R RIGHT I
-----+
- AUT. AUTOMATIC
- WW THE PART CAN BE USED INSTEAD OF THE
PRECEDING ONE

Model: 944 85

Model life 1985>>1988

COUNTRY-EQIPM.

EQUIPMENT BY COUNTRY REGULATIONS

=====

(A)	AUSTRIA
(AG)	THE GULF STATES
(AUS)	AUSTRALIA
(B)	BELGIUM
(CDN)	CANADA
(CH)	SWITZERLAND
(D)	FEDERAL REPUBLIC OF GERMANY
(DK)	DENMARK
(E)	SPAIN
(F)	FRANCE
(GB)	GREAT BRITAIN
(GR)	GREECE
(HK)	HONGKONG
(I)	ITALY
(J)	JAPAN
(L)	LUXEMBURG
(N)	NORWAY
(NL)	NETHERLANDS
(NS)	NEW ZEALAND
(P)	PORTUGAL
(RC)	TAIWAN
(S)	SWEDEN
(SA)	SAUDI ARABIA
(SF)	FINLAND
(USA)	UNITED STATES OF AMERICA

Model: 944 85

Model life 1985>>1988

NR	Description
M000	+-----+ ! Summary of optional extras "M"! +-----+
M018	Sports steering wheel with elevated hub 30 mm
M020	Speedometer with two scales mph-km/h
M024	Version for Greece
M026	With activated charcoal canister
M027	Version for California
M030	Sport-type chassis
M034	Version for Italy
M036	Impact absorbers front and rear
M058	Impact absorbers, front and rear
M061	Version for Great Britain
M062	Version for Sweden
M111	Version for Austria
M113	Version for Canada
M119	Version for Spain
M124	Version for France
M126	Control and indications in French lettering
M139	Seat heating system, left seat
M150	Operation with leaded gas
M154	Engine control unit for improved emission results
M157	Three-way catalytic converter, oxygen sensor and digital engine electronics (DME)
M158	Radio Blaupunkt RENO SWR 46
M160	Radio Blaupunkt Charleston SWR 26
M164	Tyres 215/60 VR 15 instead of 195/65 VR 15
M185	2-point seat belts, rear automatic
M186	2-point seat belts, rear manual
M187	H4 headlamps for left-hand traffic
M193	Version for Japan
M195	Preparation for mobile telephone system
M197	Stronger battery
M198	Heavy duty alternator
M215	Version for Saudi Arabia
M220	Locking differential 40 %
M225	Version for Belgium, engine designation: -B-
M249	Automatic transmission
M261	Door mirror - flat - passenger's side, electrically adjustable and heatable
M262	Rear view mirror - flat -passenger's side, manual
M277	Version for Switzerland

Model: 944 85 Model life 1985>>1988

NR	Description
M288	Headlamp washer
M298	Preparation for unleaded fuel manual transmission
M299	Catalytic converter together with automatic transmission
M325	Version for South Africa/New Zealand
M326	Radio Blaupunkt Berlin IQR 88 with ARI
M328	Radio Blaupunkt Bremen SQR 46 with ARI
M329	Radio Blaupunkt Toronto SQR 48
M330	Radio Blaupunkt Toronto SQR 46
M335	Automatic seat belt, 3-point, rear
M340	Seat heating system, right seat
M341	Central locking system
M347	Forged wheels platinum-anodized rim 7 x 16 tire 225/50 VR 16
M348	Forged wheels, lacquered - Grand Prix White -
M360	Splash guard corner pieces
M383	Sports seat, left, electrically vertically adjustable
M387	Sports seat, right, electrically vertically adjustable
M393	Club Sport wheel 16-inch
M394	Magnesium alloy wheel (cast wheels), Telephone styling, 8J / 9J x 16
M395	Light-alloy rims, forged, 16-inch
M398	Door mirror for driver's side - flat - electrically adjustable and heatable
M401	Light-alloy rims, forged 15-inch
M404	Anti-roll bar, front and rear
M409	Sports seats, leather
M410	Sports seats, seat and backrest surface cloth/leatherette
M412	Exterior engine oil cooler
M414	Exterior transmission oil cooler
M416	4-spoke steering wheel (leather), diameter 380 mm
M418	Side protection moldings
M423	Holder for cassettes and coins
M424	Automatic heating control
M425	Rear window wiper
M429	Front fog lights, white

Model: 944 85 Model life 1985>>1988

NR	Description
M430	Front fog lights, yellow
M431	4-spoke steering wheel (leather), diameter 363 mm
M432	Sports steering wheel leather, diameter 363 mm (4 spokes)
M437	Comfort seat, left, electrically adjustable
M438	Comfort seat, right, electrically adjustable
M440	Manual antenna, 4 loudspeakers --- MY 2002 MY 2003 --- antenna diversity
M441	Radio preparation
M447	Emergency wheel out of steel
M454	Automatic speed control
M455	Anti-theft device for wheels
M456	Anti-roll bar, front, diameter 23.5 mm, rear diameter 14 mm, sports shock absorbers, front and rear
M458	Aluminium alloy wheels (cast wheels) Telephone styling front 7J x 16 with tyres 205/50 VR 16 rear 8J x 16 with tyres 225/50 VR 16
M462	"Securiflex" windscreen
M463	Clear windscreen
M466	2nd rear fog lamp
M467	Door mirror for driver's side, convex, electrically heatable and adjustable
M472	Winged rear embellisher
M474	Shock absorber (sporting), front and rear
M475	Brake pads without asbestos
M479	Version for Australia
M484	Version for USA
M485	Forged wheels, lacquered - White Gold Metallic -
M488	Inscriptions in German language
M490	Sound package
M492	Headlamps for left-hand traffic
M494	Additional amplifier
M496	Preparation for Philips telephone "C" network
M498	Deletion of model designation on rear end
M499	Version for Germany
M501	"Turbo" logo on wing
M513	Lumbar support, right seat
M525	Anti-theft device with continuous sound
M526	Door panels (cloth)
M528	Door mirror for passenger's side - convex - electrically heatable and adjustable
M529	Door mirror for passenger's side

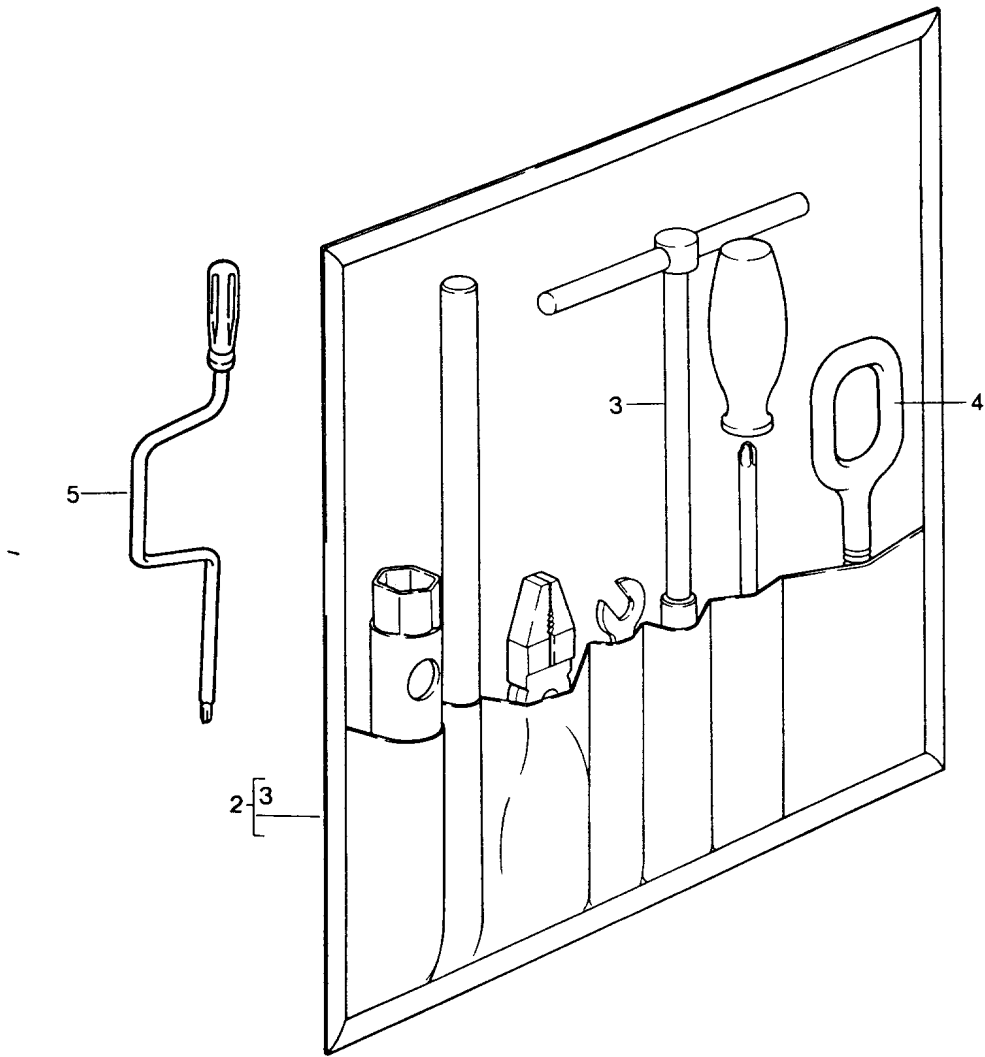
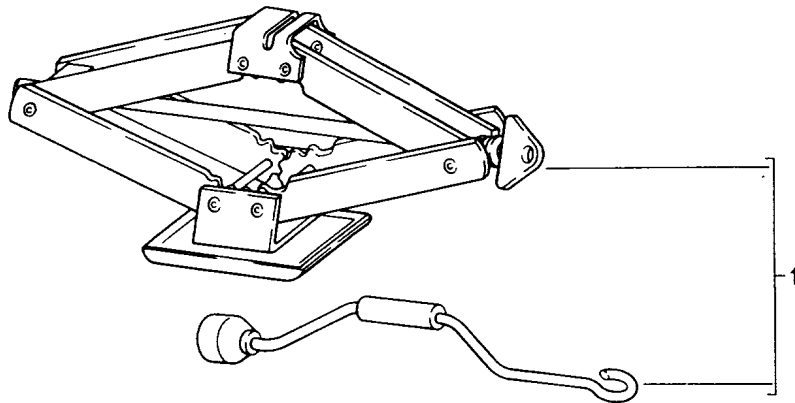
Model: 944 85

Model life 1985>>1988

NR	Description
	- convex - manual
M533	Anti-theft device
M553	Version for USA, Canada
M562	Airbag, driver's side and front passenger's side
M563	Airbag - passenger's side
M566	Front fog lights, white
M567	Windscreen tinted, upper part darker coloured
M573	Air conditioner
M576	Without rear fog lamp
M586	Lumbar support, left seat
M593	Anti-lock brake system (Bosch)
M605	Headlight levelling system
M637	Club Sport "CS"
M650	Detachable roof, electrical
M651	Electric window opener
M657	Power assisted steering
M685	Rear seats, split
M686	Radio Blaupunkt Ludwigsburg SQM 26 ARI
M688	Radio Blaupunkt Boston SQM 23
M691	CD player "CD-2" with radio
M719	Special conversions
M755	Special model '88
M756	Special model '88
M757	Special model 944
M758	Special model 944 Turbo S '88
M900	Tourist's cars
M946	Seat covers, front, leather/leather/leatherette
M974	Luggage compartment cover
M980	Seat cover - draped leather
M981	Leather equipment
M983	Seat covers, front, leather
M990	Seat covers, front, cloth/cloth/leatherette

Model: 944 85

Model life 1985>>1988



Model: 944 85 Model life 1985>>1988

Pos	Part Number	Description	Remark	Qty	Model
		Accessories			
1	000 721 710 01	Jack		1	
1	000 721 710 03	Jack		1	
(2)	944 721 027 05	Tool bag with contents Comprising: Tool bag		1	
3	477 012 233	Angular screw driver Spark plug wrench Rim wrench Operating rod for Rim wrench Double-end spanner 10 X 13 Handle Insert for Cross-recess screw And Slotted screw Universal pliers		1 1 1 1 1 1 1 1 1 1 1 1	
-	928 361 311 00	Hook for Cover Wheel nut		1 1	
4	951 722 101 00	Towing lug		1	TURBO
4	996 721 151 00	Towing lug		1	TURBO
5	928 521 907 02	Crank for emergency control		1	M437/438

Model: 944 85

Model life 1985>>1988



Model: 944 85

Model life 1985>>1988

Pos	Part Number	Description	Remark	Qty	Model
-	944 006 115 06	Stickers Sticker	(CDN) (USA) 85	1	
-	944 006 115 10	Engine specifications Sticker	(CDN) (USA) 86-	1	
-	944 006 115 07	Engine specifications Sticker	85	1	(CAL)
-	944 006 115 11	Engine specifications Sticker	86-	1	(CAL)
-	951 006 115 01	Engine specifications Sticker	86-	1	TURBO
-	951 006 115 00	Engine specifications Sticker	(CDN) (USA) 86-	1	TURBO(CAL)
-	937 701 127 00	Engine specifications Sticker		1	
-	944 701 289 00	Tyre pressure 205/55 - VR 16 Sticker	(CDN) (USA)	1	
-	944 701 287 01	Tyre pressure 205/55 - VR 16 Sticker		1	
-	951 701 287 01	Tyre pressure 215/60/15 Sticker		1	TURBO
-	944 701 193 00	Tyre pressure 205/55 + 225/50/16 Sticker	-87	1	
-	996 361 701 01	Emergency wheel Sticker for	(CDN) (F) (B) (L)	1	
-	996 361 701 00	Emergency wheel Sticker for	(GB) (USA) (J)	1	
-	477 000 267	Emergency wheel Sticker	(CDN) (USA)	1	
-	113 000 263 B	for cars with Catalytic converter Sticker		1	91ROZ
-	477 000 258	Octane rating Sticker		1	
-	211 000 258 A	Unleaded Rear window Sticker		1	
-	930 701 203 01	Unleaded Dashboard Sticker		1	91ROZ
-	928 701 171 02	Octane rating for Filler neck Sticker	(CDN)	1	
-	928 701 169 02	Unleaded for Filler neck Sticker	(CDN)	1	
-	944 701 422 00	Unleaded Dashboard Sticker		1	M562
-	944 701 421 01	Airbag Indication sticker		1	M562
-	944 602 544 00	Airbag Glove compartment Sticker		1	

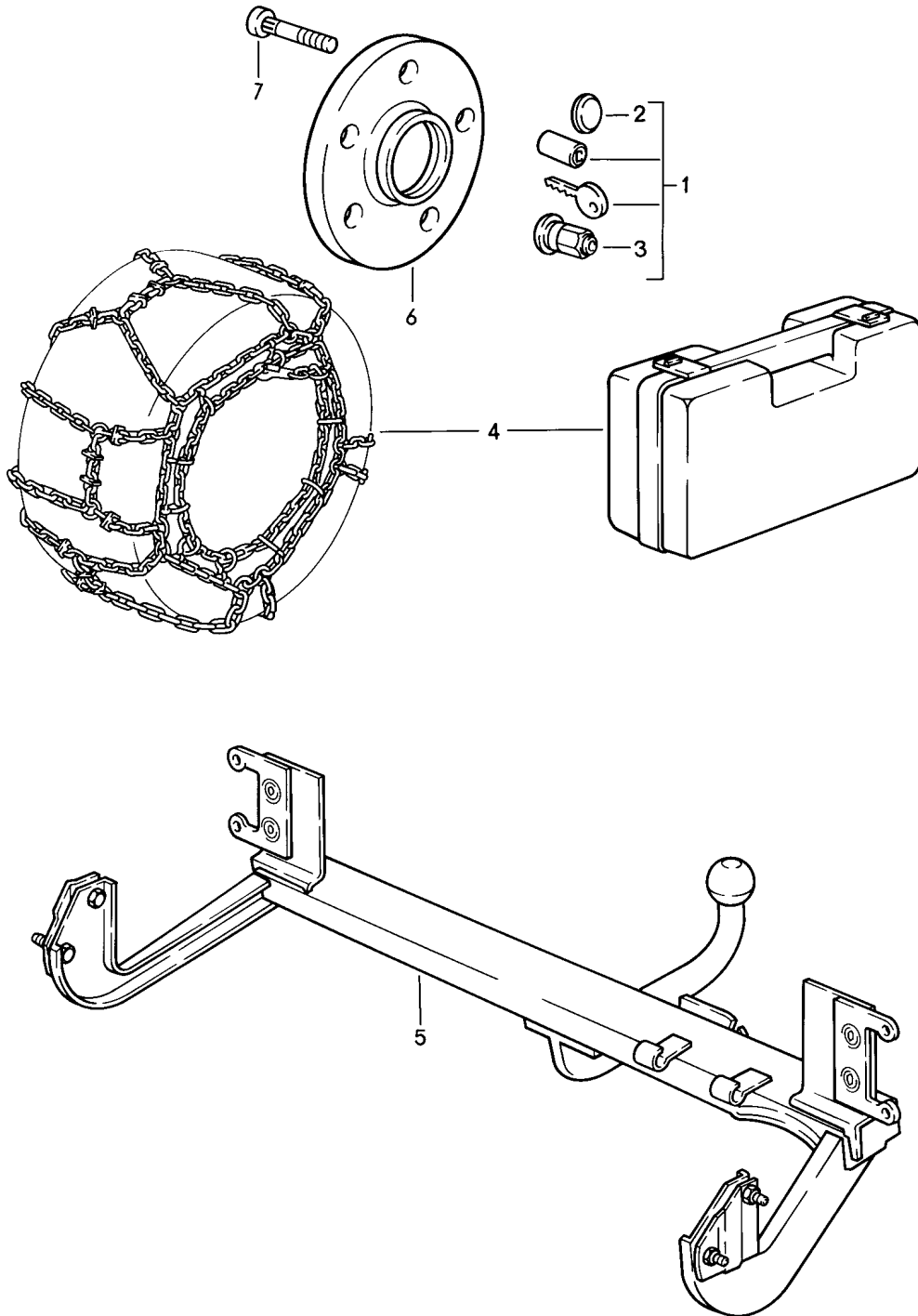
Model: 944 85

Model life 1985>>1988

Pos	Part Number	Description	Remark	Qty	Model
		Firing order			

Model: 944 85

Model life 1985>>1988

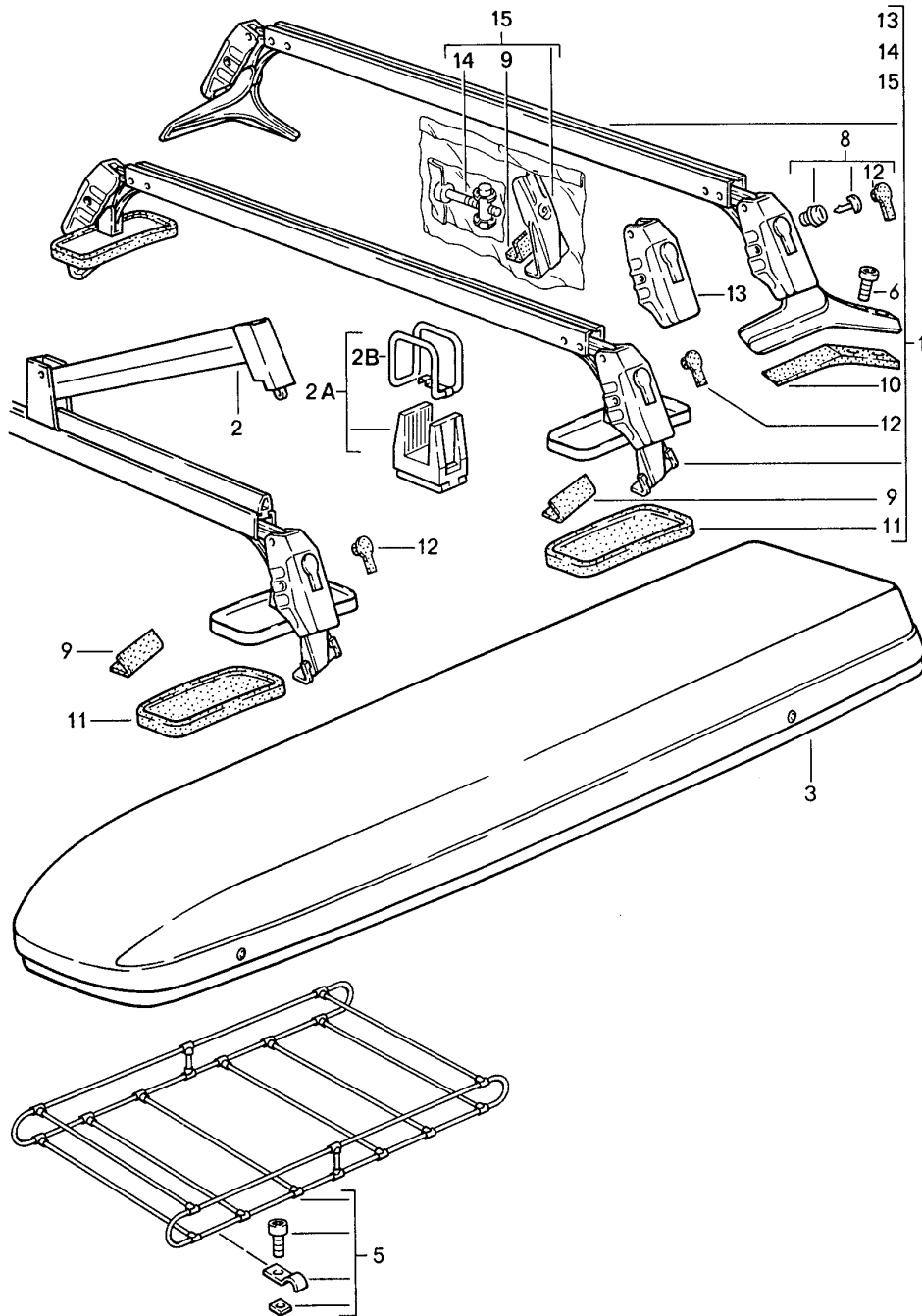


Model: 944 85 Model life 1985>>1988

Pos	Part Number	Description	Remark	Qty	Model
1	928 361 047 03	Accessories Wheel nut Lockable 1 set Comprising: Wheel nut Lock Cap		1 4 4 4	
1	965 361 955 00	Wheel nut Lockable 1 set Comprising: Wheel nut Lock Cap		1 4 4 4	
1	968 361 955 00	Wheel nut Lockable 1 set Comprising: Wheel nut Lock Cap		1 4 4 4	
1	993 361 057 00	Wheel nut Lockable 1 set Comprising: Wheel nut Lock Cap		1 4 4 4	
2	965 361 167 00	Cap		4	
3	928 361 306 03	Wheel nut		4	
-	928 361 312 01	Blank key for Wheel nut Lockable Snow chains		X	
4	911 361 909 00	Snow chains 1 set for Tyre 185/70 R 15 205/55 R 16 215/60 R 15		1	
(4)	993 361 931 00	Snow chains 1 set for Tyre 225/50 VR 16		1	TURBO
-	944 331 905 00	Widening of track 17 MM From model 87 on Only together with Forged wheel 1 set Comprising:	/H	1	
6	951 331 611 02	Spacer ring 17 MM	/H	2	
7	904 341 671 00	Wheel bolt	/H	10	
7	993 331 671 02	Wheel bolt	/H	10	
-	999 182 003 36	Wheel nut		10	

Model: 944 85

Model life 1985>>1988

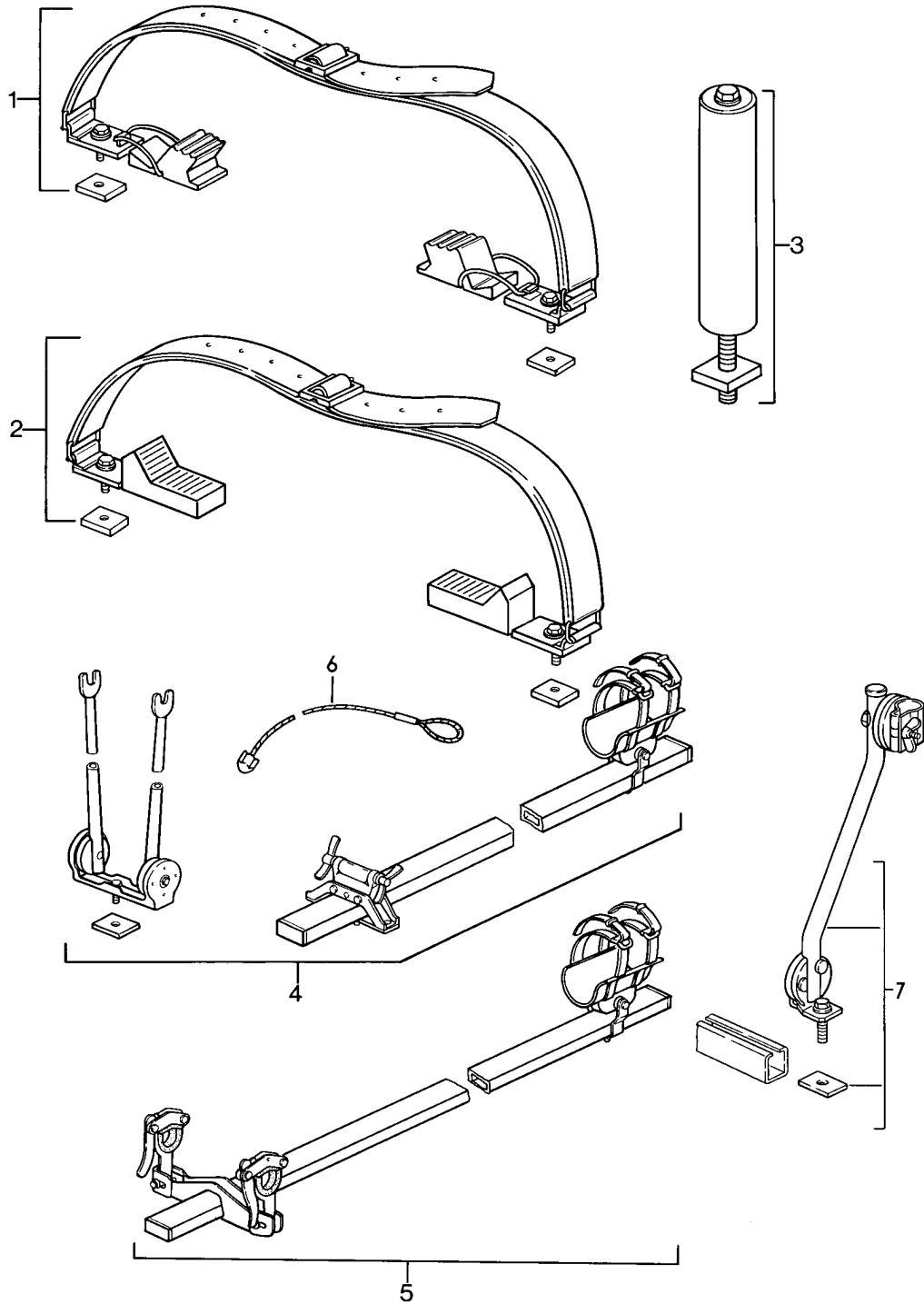


Model: 944 85 Model life 1985>>1988

Pos	Part Number	Description	Remark	Qty	Model
1	944 801 005 00	Roof transport system Roof rack 1 set		1	
2	928 801 061 02	Clamping bow 1 set		1	
2A	928 801 903 02	Rubber support for skis 1 set		1	
2B	928 801 193 02	Retaining strap 1 set		1	
3	928 801 063 02	Ski box	/L	1	
(3)	928 801 064 02	Ski box	/R	1	
5	928 801 081 02	Roof luggage rack set 1 set		1	
6	999 119 012 07	Pan-head screw		4	
8	928 801 011 02	Cylinder lock with keys		1	
9	477 091 145	Protection cap		2	
10	477 091 151 A	Protective rubber	/L	1	
(10)	477 091 152 A	Protective rubber	/R	1	
11	928 801 267 02	Rubber plate		2	
12	928 801 111 02	Protection cap		4	
13	928 801 107 02	Lid		2	
14	944 801 901 01	Parts kit Comprising: Bolt Screw Lock		X 1 1 2	
15	944 801 901 00	Parts kit Comprising: Support Desk pad Screw Washer		X 2 2 2 2	

Model: 944 85

Model life 1985>>1988



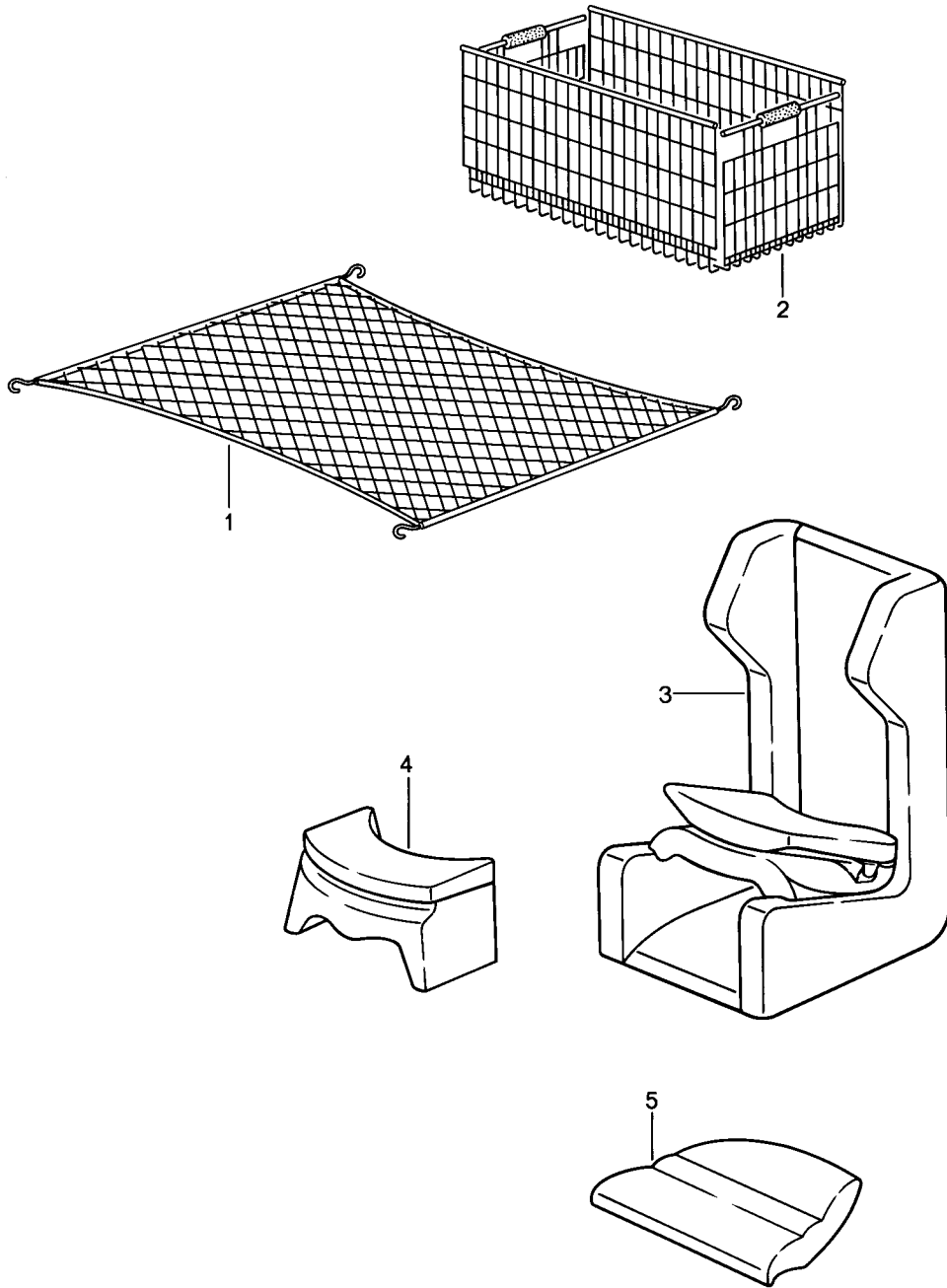
Model: 944 85

Model life 1985>>1988

Pos	Part Number	Description	Remark	Qty	Model
1	928 801 019 02	Roof transport system		1	
2	928 801 017 02	Set of surf board supports		1	
3	928 801 085 02	Set - canoe carrier		1	
4	928 801 093 02	Ladder support mandrel		X	
5	928 801 095 02	Set - bike carrier		1	
6	928 801 079 02	Racing bike		1	
7	928 801 097 02	Set - bike carrier		1	
		Standard bike			
		Safety rope			
		for			
		Anti-theft protection			
		Support for bicycle			

Model: 944 85

Model life 1985>>1988



Model: 944 85 Model life 1985>>1988

Pos	Part Number	Description	Remark	Qty	Model
		Accessories			
1	477 863 539	Luggage net		1	
2	000 043 002 00	Car basket		1	
		Foldable			
5	944 522 159 00	Child car seat cushion		1	
	944 522 159 00 4CR	Black			
		for			
		Back seat			
		Left			
5	944 522 160 00	Child car seat cushion		1	
	944 522 160 00 4CR	Black			
		for			
		Back seat			
		Right			
-	000 043 081 00	Floor mat		X	
		Set			

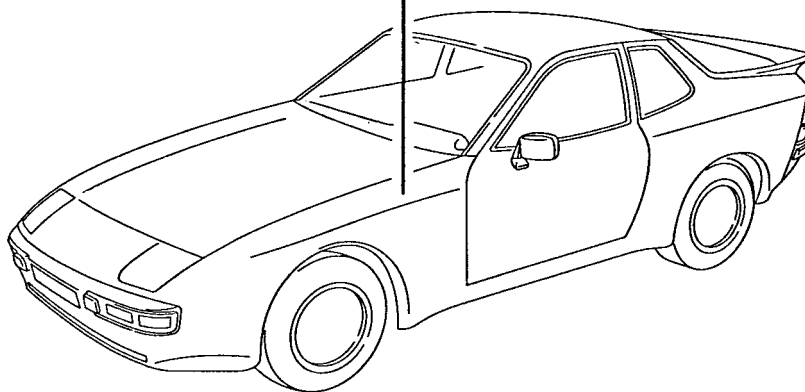
Model: 944 85

Model life 1985>>1988

FARBNUMMER
COLOUR NUMBER
NUMERO DE COULEUR
NUMERO COLORE
NUMERO DE COLOR

80K 9 2
GUARDS RED
INDISCHROT
G1

FARB BENENNUNG
COLOUR
COULEUR
COLORE
COLOR



Model: 944 85

Model life 1985>>1988

Pos	Part Number	Description	Remark	Qty	Model
-	911 096 050 00	Lacquers Basic materials Polyester filler 1 KG GLASSIT-NON-FERRO 839-10		X	
-	911 096 051 00	Hardener 30 GR GLASSIT 948-36 Red		X	
-	911 096 052 00	Primer filler 1 LTR GLASSOFIX 238-150		X	
-	911 096 053 00	Hardener 500 ML GLASSOFIX 352-228		X	
-	911 096 054 00	Primer filler 1 LTR GLASSODUR 285-100 White		X	
-	911 096 055 00	Hardener 500 ML GLASSODUR 929-28/1		X	
-	911 096 056 00	Wash primer 2 LTR GLASSOFIX 2K 934-200		X	
-	911 096 057 00	Hardener 1 LTR GLASSOFIX 934-100		X	
-	911 096 058 00	Polyurethane plastic putty 1 KG GLASSODUR 995-20		X	
-	911 096 059 00	Hardener 1 KG GLASSODUR 929-13		X	
-	911 096 060 00	Thinner 1 LTR GLASSODUR 352-91		X	
-	911 096 062 00	Additional lacquer 1 LTR GLASSODUR 521-111		X	
-	911 096 063 00	Underbody protection 1 KG GLASSOHYD 1109-		X	
-	000 043 001 00	Tin SN 90% CA 200 G Primer Metallic 1 LTR		X	
-	ALD 645 M5U	Paint Diamond-blue metallic		X	L M5U
-	ALD 645 Y4Z	Paint FLAMINGO-METALLIC		X	L Y4Z
-	911 095 903 80	Synthetic resin prime coat		X	M3Y
-	911 095 903 80 822	Garnet red metallic		X	
-	ALD 645 B7V	Paint Graphite metallic		X	LB7V
-	ALD 645 A1Y	Paint KALAHARI-METALLIC		X	LA1Y
-	911 095 903 80	Synthetic resin prime coat		X	M6Y
-	911 095 903 80 33N	Crystal green metallic		X	
-	ALD 645 B8Z	Paint Mahogany Metallic		X	LB8Z

Model: 944 85

Model life 1985>>1988

Pos	Part Number	Description	Remark	Qty	Model
-	ALD 645 Y1Y	Paint MANDELBEIGE-METALLIC		X	L Y1Y
-	ALD 645 Y3V	Paint MARASCHINOROT-METALLIC		X	L Y3V
-	ALD 645 Y6Y	Paint NILGRUEN-METALLIC		X	L Y6Y
-	ALD 645 M8V	Paint Nougat brown metallic		X	L M8V
-	ALD 645 Y5Z	Paint NAUTIC-METALLIC		X	L Y5Z
-	ALD 645 Y9Y	Paint Satin black metallic		X	L Y9Y
-	ALD 645 Y5V	Paint SAPHIR-METALLIC		X	LY5V
-	ALD 645 M3Z	Paint SILBERROSA-METALLIC		X	LM3Z
-	ALD 645 Y7U	Stone grey metallic Stone grey metallic		X	LY7U
-	ALD 645 Y7Y	Zermatt silver metallic Zermatt silver metallic		X	LY7Y
-	911 095 903 80 911 095 903 80 947	Synthetic resin prime coat Pearlescent effect		X	LOA9
-	911 096 064 00	Clear lacquer 1 LTR GLASSODUR-MS 923-85 Final acrylic lacquer 2 K 1 LTR		X	
-	ALN 769 Y5B	Paint Copenhagen blue		X	LY5B
-	ALN 769 Y5D	Paint Azure blue		X	L Y5D
-	ALN 769 90E	Paint Alpine white		X	L 90E
-	ALN 769 M3A	Paint Guards red		X	L M3A
-	ALN 769 M1A	Paint Summer yellow		X	L M1A
-	ALN 769 Y3E	Paint MALVENROT		X	L Y3E
-	911 095 902 60 911 095 902 60 536 911 095 902 60 700	Top-coat paint Pastel beige Black Paint touch-up applicator		X	L M1N L 041
-	L 090 E01	Paint Alpine white		X	L 90E
-	L 0Y5 D01	Paint Azure blue		X	L Y5D
-	L 0Y3 E01	Paint MALVENROT		X	L Y3E
-	L 0M1 A01	Paint Summer yellow		X	L M1A
-	L 0M3 A01	Paint Guards red		X	L M3A
-	L 0Y5 B01	Paint Copenhagen blue		X	L Y5B
-	911 095 932 20 911 095 932 20 451 911 095 932 20 700	Paint touch-up applicator Mocha black Black Paint touch-up applicator Set Comprising: Paint touch-up applicator		X	L M9V L 041

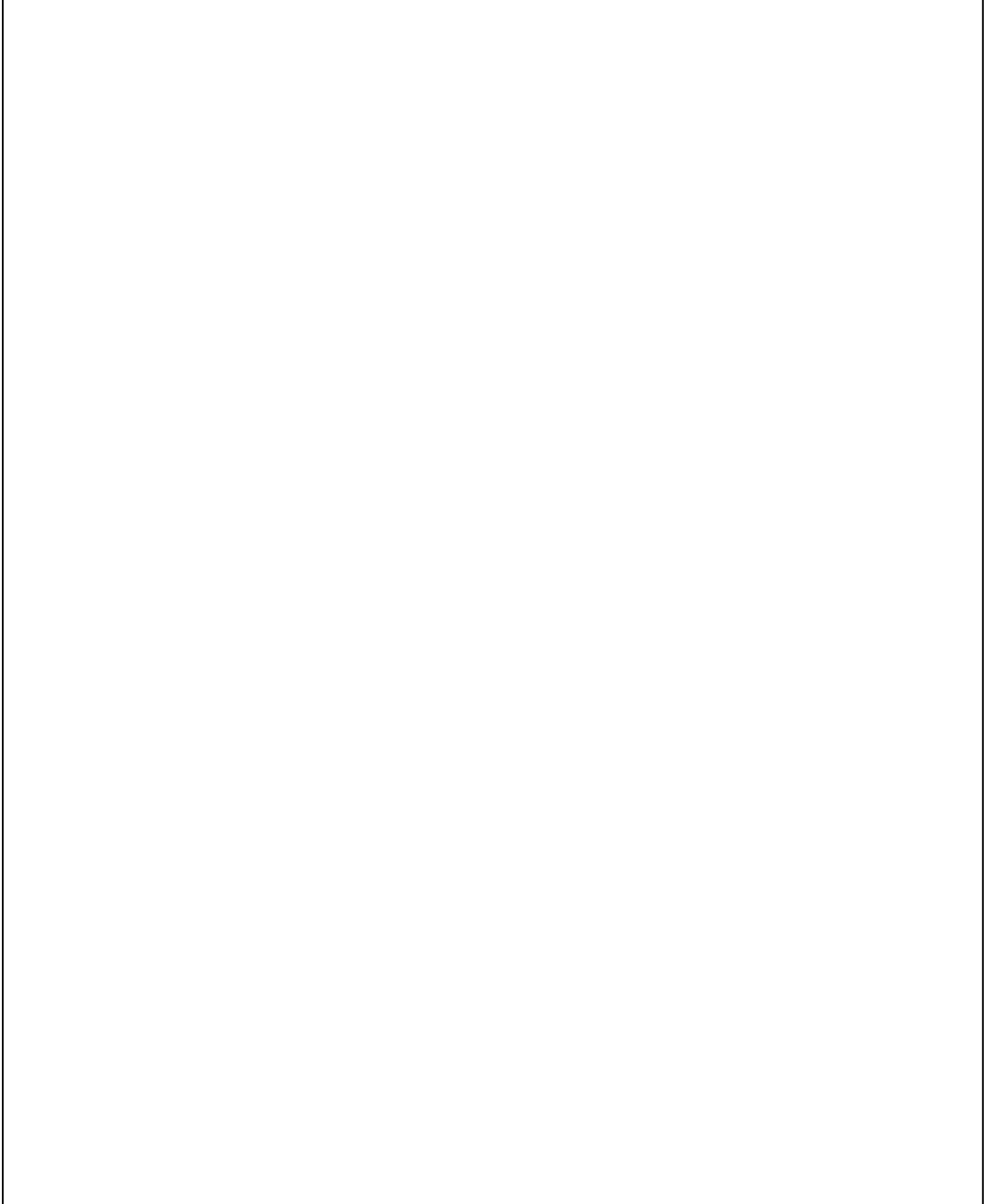
Model: 944 85

Model life 1985>>1988

Pos	Part Number	Description	Remark	Qty	Model
-	L 0M5 U02	Top-coat paint Paint touch-up applicator Clear lacquer Paint		X	L M5U
-	L 0Y4 Z02	Diamond-blue metallic Paint		X	L Y4Z
-	L 0Y1 Y02	FLAMINGO - METALLIC Paint		X	L Y1Y
-	L 0Y3 V02	MANDELBEIGE - METALLIC Paint		X	L Y3V
-	L 0Y5 Z02	MARASCHINOROT - METALLIC Paint		X	L Y5Z
-	L 0Y6 Y02	NAUTIC - METALLIC Paint		X	L Y6Y
-	L 0Y9 Y02	NILGRUEN - METALLIC Paint		X	L Y9Y
-	911 095 933 20	Satin black metallic Paint touch-up applicator		X	M 3Y
-	911 095 933 20 822	Garnet red metallic Paint		X	L B7V
-	L 0A1 Y02	Graphite metallic Paint		X	L A1Y
-	911 095 933 20	KALAHARI-METALLIC Paint touch-up applicator		X	M 6Y
-	911 095 933 20 33N	Crystal green metallic Paint		X	L B8Z
-	L 0Y5 V02	Mahogany Metallic Paint		X	L Y5V
-	L 0Y7 U02	SAPHIR - METALLIC Paint		X	L Y7U
-	L 0M3 Z02	Stone grey metallic Paint		X	L M3Z
-	L 0Y7 Y02	SILBERROSA - METALLIC Paint		X	L Y7Y
		Zermatt silver metallic			

Model: 944 85

Model life 1985>>1988



Model: 944 85

Model life 1985>>1988

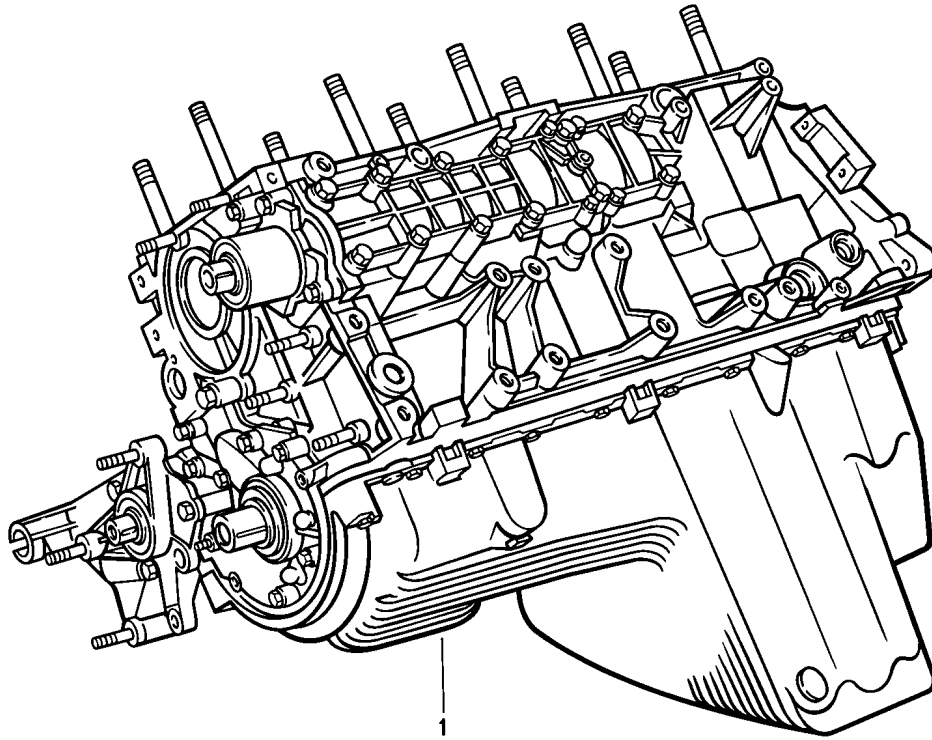
Pos	Part Number	Description	Remark	Qty	Model
-	928 101 921 00	Securing liquid Sealing compound Preservative agent Securing liquid Loctite -270- 10 CCM High strength		X	
-	000 043 012 00	Loctite -221- 10 CCM Low strength		X	
-	000 043 306 48	Loctite -221- 10 CCM Low strength Sealing compound		X	
-	000 043 010 00	Loctite -574- 50 CCM		X	
-	000 043 011 00	Loctite -638- 10 CCM for Balance shaft		X	
-	000 043 013 00	Loctite Adhesive remover -80646- Spraying can		X	
-	AMV 176 000 05	Adhesive sealing compound 310 CCM Loctite for pasting Metal Glass Ceramics Thermoset plastic Adhesive set Comprising:		1	
-	000 043 051 00	Loctite Loctite -317- 50 CCM		X	
-	000 043 202 65	Loctite AKTIVATOR NF 736 180 CCM		X	
-	000 043 019 01	Sealing compound SILASTIK 730 RTV 125 CCM		X	
-	PCG 043 019 01	Sealing compound SILASTIK 730 RTV 125 CCM		X	
-	000 043 004 00	Mounting paste Optimoly ht 1 90-gramme tube		X	
-	000 043 020 00	Optimoly Mounting paste 1 100-gramme tube Silver		X	
-	000 043 005 00	Grease OPTIMOL - OLISTAMOLY 1 90-gramme tube		X	
-	000 043 204 21	Grease		X	

Model: 944 85 Model life 1985>>1988

Pos	Part Number	Description	Remark	Qty	Model
-	G 052 778 A2	for lock cylinder Spraying can Grease		X	
-	999 571 062 00	for lock cylinder Spraying can Preservative agent Care kit Comprising: Suitcase		1	
-	999 901 013 40	Liquid preservative		1	
-	999 901 014 41	Car shampoo		1	
-	999 901 015 40	Polisher		1	
-	999 901 016 40	Tar remover		1	
-	999 901 017 40	Dashboard cleaner		1	
-	999 901 018 40	Paint polish		1	
-	999 901 019 41	Insect remover		1	
-	999 901 020 40	Spot remover		1	
-	999 901 021 40	Polishing cotton		1	
-	999 901 022 40	Polishing cloth		1	
-	000 044 000 02	Leather care 250 ML		X	
-	999 901 017 41	Window cleaner Summer 250 ML		X	
-	999 901 017 42	Window cleaner Summer 250 ML		X	
-	000 044 000 87	Window cleaner Summer 250 ML		X	
-	999 901 033 40	Window cleaner Winter 1000 ML		X	
-	999 901 036 40	Car shampoo Refilling bottle 1000 ML		X	
-	999 917 803 00	Window cleaner Spray bottle 250 ML		X	
-	928 628 931 00	Silicone remover 1000 ML		X	
-	000 044 000 93	Silicone remover 1000 ML		X	
-	999 901 030 40	Rim cleaner Spray bottle 500 ML		X	
-	999 901 031 40	Rim cleaner Refilling bottle 1000 ML		X	

Model: 944 85

Model life 1985>>1988



Model: 944 85 Model life 1985>>1988

Pos	Part Number	Description	Remark	Qty	Model
1	944 100 902 01	Replacement engine Short engine Crankcase Short engine Short engine for M >> 43H 05638 M >> 43H 61344 Use also: 944.107.329.00 900.174.044.40 944.107.025.01 944.101.027.05 Up to model 86 Order also: 944.107.911.01 944.102.216.01		1	M44.07/08 M44..B M44.07 M44.08
1	944 100 902 02	Short engine Use also: M >> 45H 01415 944.107.329.00 900.174.044.40 944.107.025.01 951.101.027.03 MOD. 86 Order also: 944.107.911.01 944.102.216.01		1	M44.50/51 M44.52 M44..C M44.50/51
1	944 100 902 03	Short engine Use also: M >> 42H 03028 944.107.329.00 900.174.044.40 944.107.025.01 944.101.024.04		1	M44.40 M44..D
1	944 100 902 04	Short engine		1	M44.09/10 M44..E
-	944 100 960 00	Crankcase with Threaded bolt Differential housing without Crankshaft Piston Balance shaft Oil pan Oil pump Oil-water radiator		1	M44.05/06/07 M44.08
-		Crankcase with Threaded bolt Differential housing without Crankshaft Piston Balance shaft Oil pan Oil pump		1	M44.09/10/40

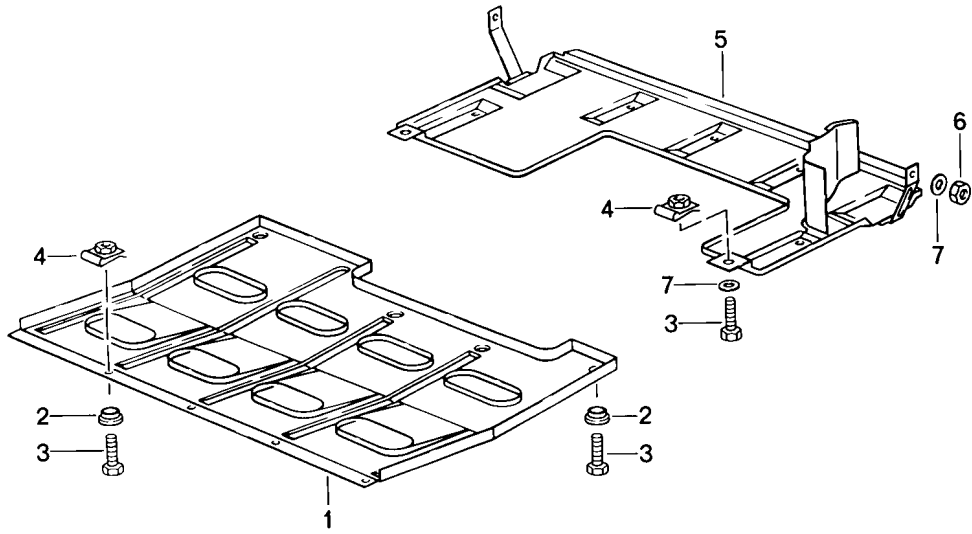
Model: 944 85

Model life 1985>>1988

Pos	Part Number	Description	Remark	Qty	Model
		Oil-water radiator			

Model: 944 85

Model life 1985>>1988



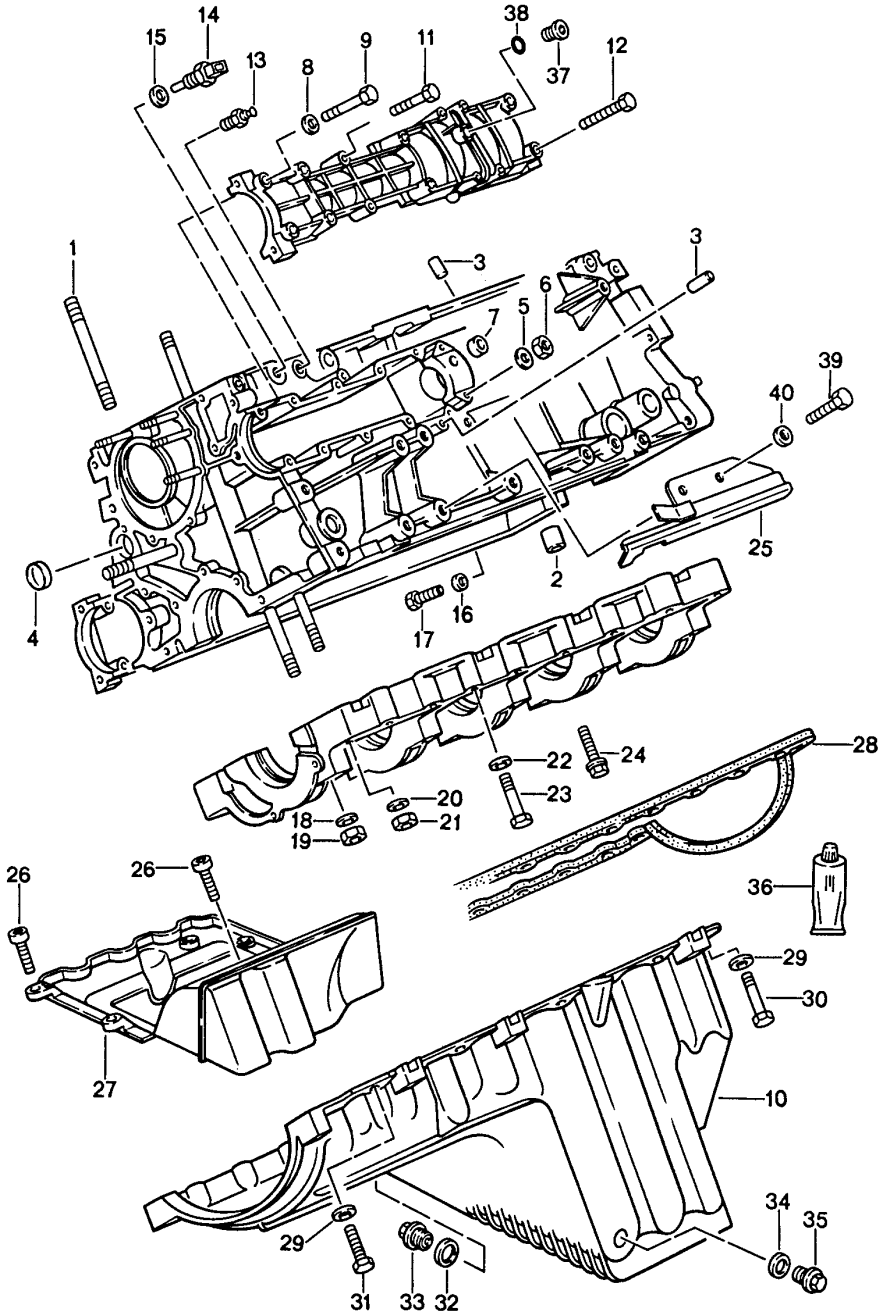
Model: 944 85

Model life 1985>>1988

Pos	Part Number	Description	Remark	Qty	Model
1	944 504 167 01	Protective plate		1	
2	944 503 257 00	Protective plate		8	
3	N 010 215 13	Protective plate		11	
		Spacer			
		Hexagon-head bolt			
		M 6 X 15			
4	999 507 326 02	Captive nut		3	
5	951 504 069 00	Protective plate		1	TURBO
6	900 076 010 02	Nut		2	TURBO
6	900 076 010 0B	Nut		2	TURBO
7	N 011 666 7	Washer		5	TURBO

Model: 944 85

Model life 1985>>1988



Model: 944 85 Model life 1985>>1988

Pos	Part Number	Description	Remark	Qty	Model
		Crankcase	-86		
		Mounting parts			
1	944 101 197 00	Stud		10	
2	928 101 195 03	Fitting bushing		1	
3	999 012 034 00	Straight pin		4	
		8 X 12			
4	N 011 919 1	Lid		2	
5	999 025 141 02	Washer		4	
		8,1 X 17 X 3			
6	999 076 034 02	Hexagon nut		4	
		M 8			
7	951 107 241 02	Sealing ring		1	
8	900 025 007 02	Washer		8	
8	900 025 007 03	Washer		8	
9	900 074 139 02	Hexagon-head bolt		X	
		M 8 X 55			
9	900 074 139 03	Hexagon-head bolt		X	
		M 8 X 55			
9	N 010 361 4	Hexagon-head bolt		4	M657
		M 8 X 65			
9	N 010 361 13	Hexagon-head bolt		4	M657
		M 8 X 65			
10	944 101 201 11	Oil pan		1	
		See TPI			
		GR.1 NR.21			
11	900 075 349 02	Hexagon-head bolt		2	
		M 6 X 42			
12	900 075 344 02	Hexagon-head bolt		16	
		M 6 X 50			
12	900 075 344 01	Hexagon-head bolt		16	
		M 6 X 50			
13	928 606 201 01	Remote temperature sensor		1	
14	944 606 125 00	Temperature sensor		1	
15	900 123 101 30	Sealing ring		1	
		12 X 18			
16	900 123 105 30	Sealing ring		1	
		8 X 14			
17	900 075 087 02	Hexagon-head bolt		1	
		M 8 X 16			
17	900 075 087 03	Hexagon-head bolt		1	
		M 8 X 16			
18	944 104 229 00	Washer		10	
19	N 011 020 8	Hexagon nut		10	
		M 12 X 1,5			
19	900 034 036 01	Hexagon nut		10	
		M 12 X 1,5			
20	928 101 303 00	Washer		7	
21	N 011 010 13	Hexagon nut		7	
		M 10			
22	900 025 007 02	Washer		X	
22	900 025 007 03	Washer		X	
23	900 074 040 02	Hexagon-head bolt		X	
		M 8 X 50			
24	900 075 345 02	Combination screw		X	
		M 6 X 35			
24	900 075 345 01	Combination screw		X	
		M 6 X 35			
25	944 101 033 00	Heat shield		1	
26	900 119 001 02	Pan-head screw		7	
		M 5 X 12			
26	900 976 003 01	Pan-head screw		7	
		M 5 X 12			
27	944 107 389 01	Insert for oil sump		1	

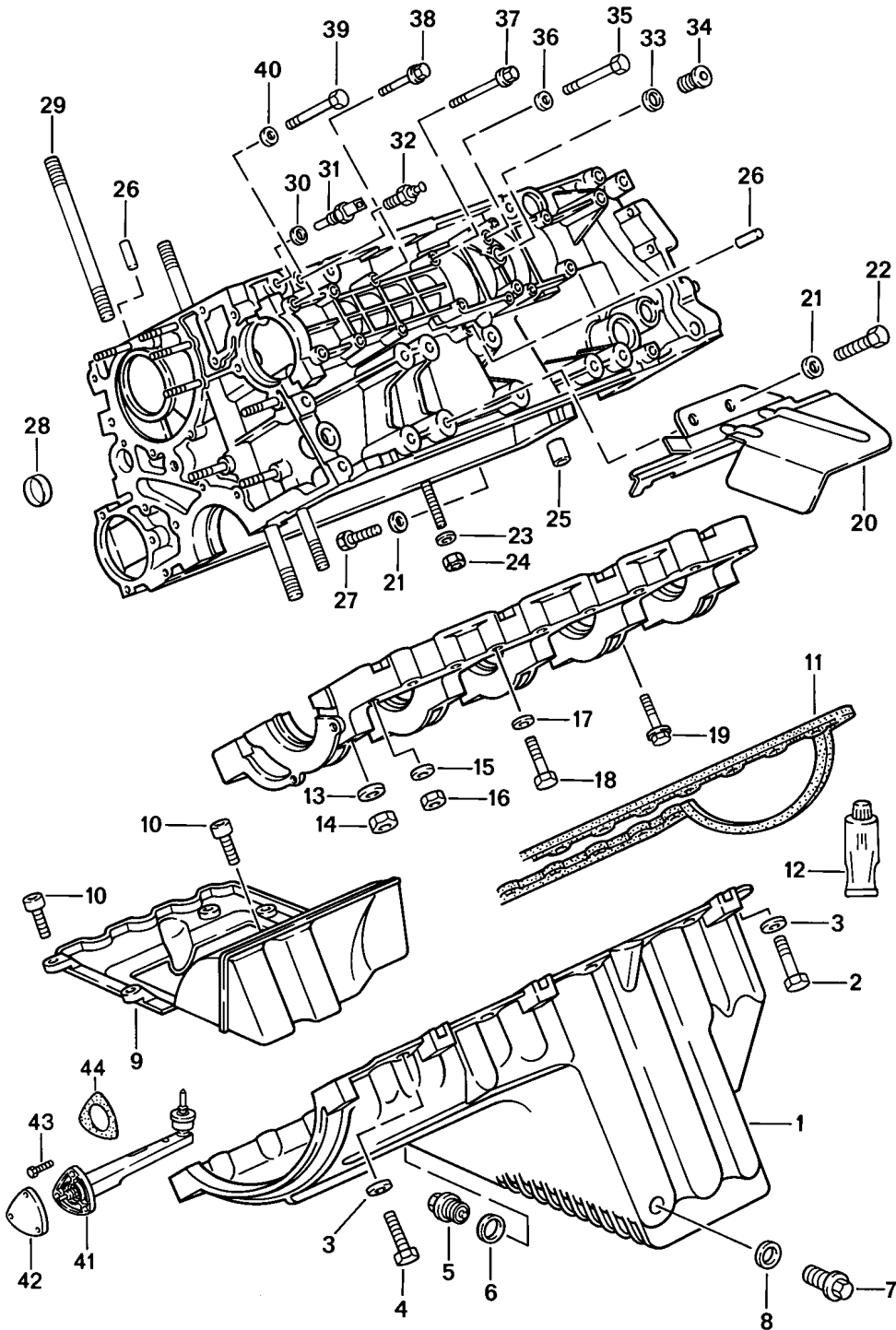
Model: 944 85

Model life 1985>>1988

Pos	Part Number	Description	Remark	Qty	Model
28	944 101 205 02	Oil sump gasket		1	
29	N 011 524 7	Washer		22	
29	N 011 524 27	Washer		22	
30	900 075 344 02	Hexagon-head bolt M 6 X 50		4	
30	900 075 344 01	Hexagon-head bolt M 6 X 50		4	
31	900 075 341 02	Combination screw M 6 X 25		18	
31	900 075 341 01	Combination screw M 6 X 25		18	
32	900 123 118 30	Sealing ring		1	
33	944 107 197 01	Screw plug		1	
34	900 123 049 30	Sealing ring		1	
35	N 016 164 1	Screw plug		1	
36	000 043 019 01	Sealing compound 1 tube SILASTIC 730 RTV		X	
36	PCG 043 019 01	Sealing compound 1 tube SILASTIC 730 RTV		X	
37	900 219 002 02	Screw plug		1	
38	900 123 007 30	Sealing ring A 14 X 18		1	
39	900 075 085 02	Hexagon-head bolt		2	
40	900 025 007 02	Washer		2	
40	900 025 007 03	Washer		2	

Model: 944 85

Model life 1985>>1988



Model: 944 85 Model life 1985>>1988

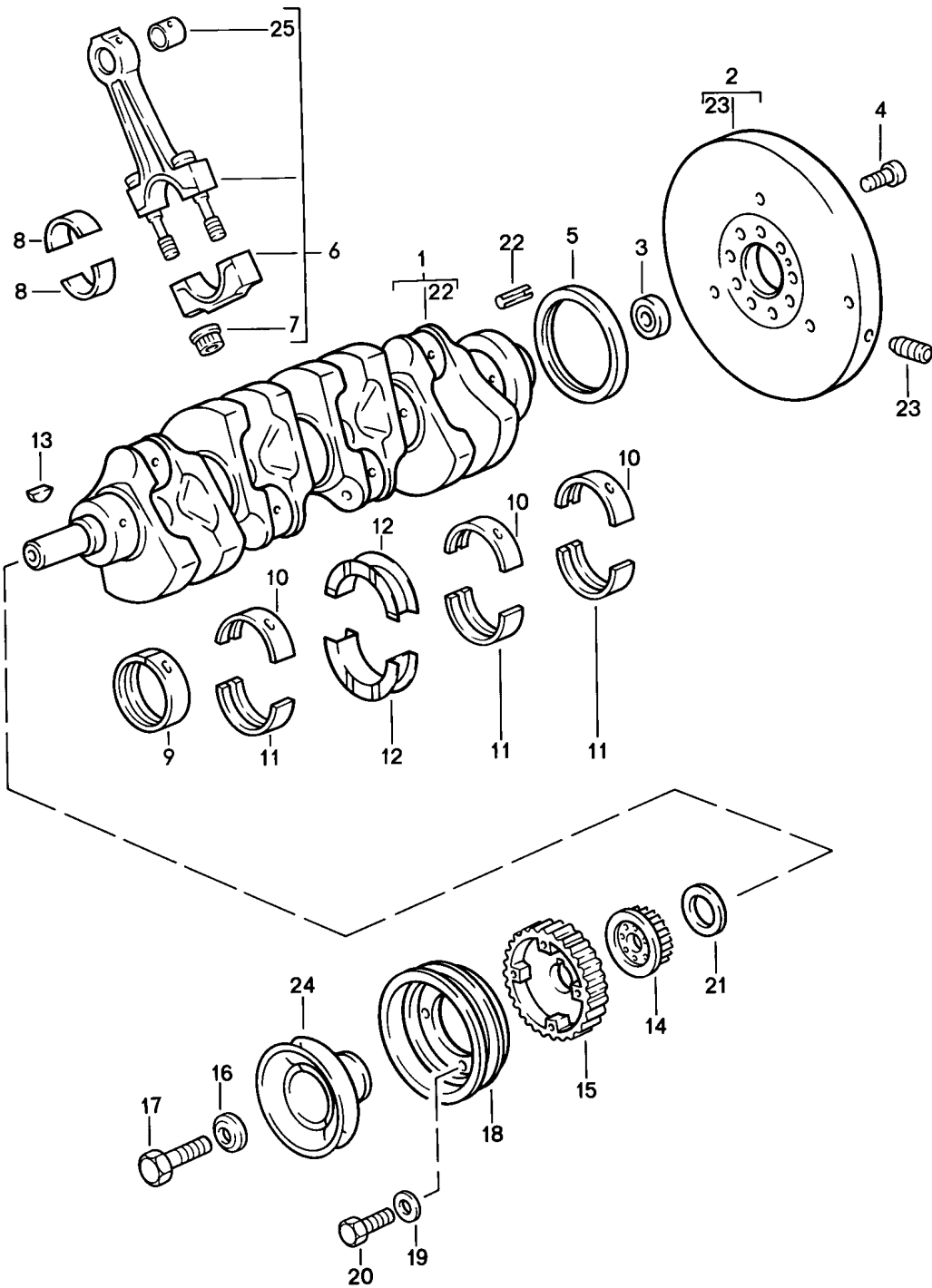
Pos	Part Number	Description	Remark	Qty	Model
1	944 101 201 11	Crankcase Mounting parts Oil pan See TPI GR. 1 NR. 21 M >> 43H 05637 M >> 43H 61343 M >> 45H 01414 M >> 42H 03027	87-	1	M44.05/06/07 M44.08 M44.40/51 M44.07 M44.08 M44.50/51 M44.40
1	944 101 201 14	Oil pan M 43H 05638 >> M 43H 61344 >> M 45H 01415 >> M 42H 03028 >>		1	M44.05/06/07 M44.08/09 M44.10/40/51 M44.52 M44.07 M44.08 M44.50/51 M44.52 M44.40
2	N 040 259 1	Hexagon-head bolt M 6 X 50		4	
3	N 011 524 7	Washer		22	
3	N 011 524 27	Washer		22	
4	900 075 017 02	Hexagon-head bolt M 6 X 25		18	
4	900 075 017 03	Hexagon-head bolt M 6 X 25		18	
5	944 107 197 01	Screw plug		1	
6	900 123 118 30	Sealing ring		1	
7	N 016 164 1	Screw plug		1	
8	900 123 049 30	Sealing ring		1	
9	944 107 389 01	Insert for oil sump M >> 43H 05637 M >> 43H 61343 M >> 45H 01414 M >> 42H 03027		1	M44.05/06/07 M44.08 M44.40/51 M44.07 M44.08 M44.50/51 M44.40
9	944 107 389 02	Insert for oil sump M 43H 05638 >> M 43H 61344 >> M 45H 01415 >> M 42H 03028 >>		1	M44.05/06/07 M44.08/09 M44.10/40/51 M44.07 M44.08 M44.50/51 M44.40
10	900 119 001 02	Pan-head screw M 5 X 12		7	
10	900 976 003 01	Pan-head screw M 5 X 12		7	
11	944 101 205 02	Oil sump gasket		1	
12	000 043 019 01	Sealing compound 1 tube SILASTIC 730 RTV		X	
12	PCG 043 019 01	Sealing compound 1 tube SILASTIC 730 RTV		X	
13	944 104 229 00	Washer		10	
14	N 011 020 8	Hexagon nut M 12 X 1,5		10	
14	900 034 036 01	Hexagon nut M 12 X 1,5		10	
15	928 101 303 00	Washer		7	

Model: 944 85 Model life 1985>>1988

Pos	Part Number	Description	Remark	Qty	Model
16	N 011 010 13	Hexagon nut M 10		7	
17	900 025 007 02	Washer		7	
17	900 025 007 03	Washer		7	
18	900 074 040 02	Hexagon-head bolt M 8 X 50		7	
20	944 101 033 00	Heat shield		1	
21	900 025 007 02	Washer		2	
21	900 025 007 03	Washer		2	
22	900 075 085 02	Hexagon-head bolt		2	
23	N 011 524 7	Washer		1	
23	N 011 524 27	Washer		1	
24	900 076 010 02	Nut		1	
24	900 076 010 0B	Nut		1	
25	928 101 195 03	Fitting bushing		1	
26	999 012 034 00	Straight pin 8 X 12		4	
27	900 075 087 02	Hexagon-head bolt		1	
27	900 075 087 03	Hexagon-head bolt		1	
-	900 123 105 30	Sealing ring		1	
28	N 011 919 1	Lid		2	
29	944 101 197 00	Stud		10	
30	900 123 101 30	Sealing ring		1	
31	944 606 125 00	Temperature sensor		1	
32	928 606 201 01	Remote temperature sensor		1	
33	900 123 007 30	Sealing ring		1	
34	900 219 002 02	Screw plug		1	
35	900 074 326 08	Hexagon-head bolt M 8 X 58		4	
35	900 074 326 01	Hexagon-head bolt M 8 X 58		4	
36	999 025 141 02	Washer		4	
37	900 075 344 02	Hexagon-head bolt M 6 X 50 Z1		16	
37	900 075 344 01	Hexagon-head bolt M 6 X 50 Z1		16	
38	900 075 349 02	Hexagon-head bolt M 6 X 42 Z1		4	
39	900 074 139 02	Hexagon-head bolt M 8 X 55		X	
		Hexagon-head bolt M 8 X 65		4	M657
39	900 074 139 03	Hexagon-head bolt M 8 X 55		X	
		Hexagon-head bolt M 8 X 65		4	M657
40	900 025 007 02	Washer		8	
40	900 025 007 03	Washer		8	
41	944 613 150 00	Sender for Oil level		1	
42	944 101 329 01	Lid		1	
43	999 074 035 02	Hexagon-head bolt M 5 X 20		3	
44	944 101 233 02	Gasket without asbestos		1	
-	999 062 044 02	Stud for Chain adjuster		3	

Model: 944 85

Model life 1985>>1988



Model: 944 85 Model life 1985>>1988

Pos	Part Number	Description	Remark	Qty	Model
2	944 102 051 01	Crankshaft Connecting rod Flywheel		1	M44.05/07 M44.09
2	944 102 053 02	Flywheel	AUT.	1	M44.06/08 M44.10
2	951 102 051 01	Flywheel		1	M44.50/51 M44.52
2	944 102 051 02	Flywheel		1	M44.40
3	931 102 111 00	Deep-groove ball bearing		1	
3	931 102 111 02	Deep-groove ball bearing		1	
4	930 102 206 00	Pan-head screw		9	
5	999 113 264 40	Radial sealing ring		1	
5	999 113 461 40	Radial sealing ring		1	
5	999 113 426 40	Radial sealing ring		1	
5	999 113 426 41	Radial sealing ring		1	
6	944 103 008 02	Connecting rod		4	M44.05/06/07 M44.08/09 M44.10/40
6		Connecting rod		4	M44.05/06/07 M44.08/09 M44.10/40
6	944 103 001 00	Connecting rod		4	M44.50/51 M44.52
-	928 103 173 03	Connecting rod bolt		8	
7	928 103 172 02	Connecting rod nut		8	
8	928 103 143 02	Conrod bearing shell		8	
8	928 103 143 05	Connecting-rod bearing		8	
8	928 103 143 05 002	Russet			
8	928 103 143 52	Conrod bearing shell Oversize 0.25 mm		X	
8	928 103 143 57	Conrod bearing shell Oversize 0.50 mm		X	
9	928 101 117 08	Main bearing bush i		1	
9	928 101 117 58	Main bearing bush i Undersize 0.25 mm		X	
9	928 101 117 68	Main bearing bush i Undersize 0.50 mm		X	
10	928 101 115 02	Main bearing shell		3	
10	928 101 115 02 002				
10	928 101 115 50	Main bearing shell Undersize 0.25 mm		X	
10	928 101 115 60	Main bearing shell Top half Undersize 0.50 mm		X	
11	928 101 115 03	Main bearing shell		3	
11	928 101 115 03 002	UNTERSCHALE 2, 4, 5			
11	928 101 115 15	Main bearing shell Set Standard Comprising: Lower half 2,4,5 Upper half 2,4,5		3	
11	928 101 115 16	Main bearing shell Set Standard Comprising: Lower half 2,4,5 Upper half 2,4,5		3	
11	928 101 115 51	Main bearing shell Undersize 0.25 mm		X	
11	928 101 115 61	Main bearing shell Undersize 0.50 mm		X	

Model: 944 85 Model life 1985>>1988

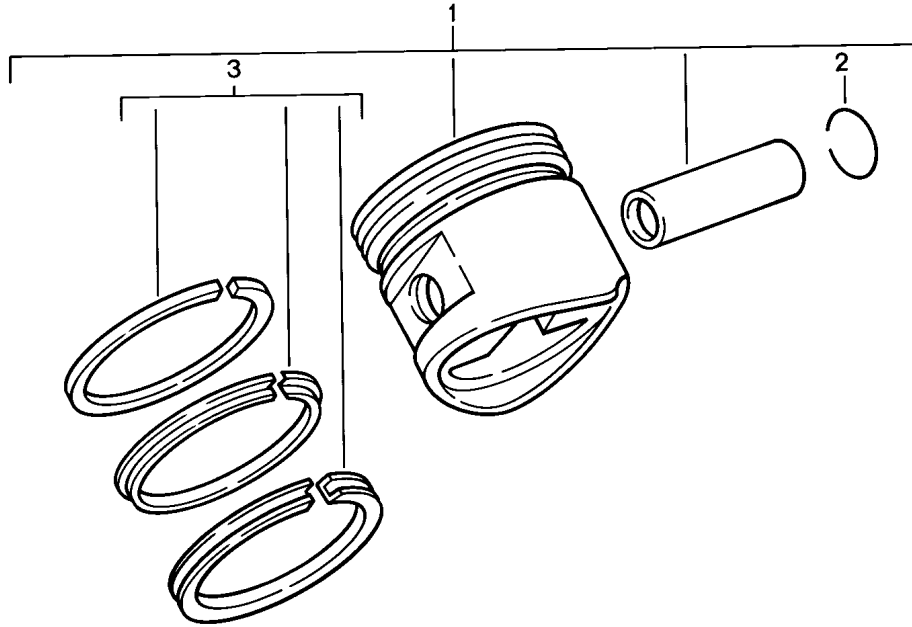
Pos	Part Number	Description	Remark	Qty	Model
12	944 101 139 00 944 101 139 00 002	Thrust bearing		2	
12	944 101 139 16	Thrust bearing		2	
12	928 101 133 53	Thrust bearing		X	
		Undersize 0.25 mm			
12	928 101 133 63	Thrust bearing		X	
		Undersize 0.50 mm			
13	900 117 036 00	Feather key 5 X 5 X 22		1	
14	944 105 125 02	Gear wheel		1	M44.05/06/07 M44.08/09 M44.10/51/52
		Driving mechanism Camshaft			
14	944 105 125 06	Gear wheel		1	M44.40
		Driving mechanism Camshaft			
14	944 105 125 07	Gear wheel		1	M44.40
		Driving mechanism Camshaft			
15	944 102 209 08	Gear wheel		1	M44.05/06/07 M44.08/09 M44.10/51/52
15	944 102 209 05	Gear wheel		1	M44.05/06/07 M44.08/09 M44.10/51/52
15	944 102 209 11	Gear wheel		1	M44.05/06/07 M44.08/09 M44.10/40/51 M44.52
		Driving mechanism Balance shaft			
16	944 102 210 02	Washer		1	
17	900 082 085 02	Hexagon-head bolt M 16 X 1,5 X 60		1	
17	900 082 085 01	Hexagon-head bolt M 16 X 1,5 X 60		1	
18	944 102 116 12	Pulley		1	M44.05/06/07 M44.08/09 M44.10/51/52
18	944 102 123 02	Vibration damper		1	M44.40
19	N 011 524 7	Washer		4	M44.05/06/07 M44.08/09 M44.10/51/52
		M >> 43H 11260 M >> 43H 62893 M >> 42H 05461 M >> 45H 83873			M44.07 M44.08 M44.40 M44.51
19	N 011 524 27	Washer		4	M44.05/06/07 M44.08/09 M44.10/51/52
		M >> 43H 11260 M >> 43H 62893 M >> 42H 05461 M >> 45H 83873			M44.07 M44.08 M44.40 M44.51
19	900 031 011 02	Washer		4	M44.40 M44.07 M44.08 M44.40 M44.51
		M 43H 11261 >> M 43H 62894 >> M 42H 05462 >> M 45H 83874 >>			M44.40 M44.07 M44.08 M44.40 M44.51
20	900 075 057 02	Hexagon-head bolt		4	M44.05/06/07 M44.08/09 M44.10/51/52

Model: 944 85 Model life 1985>>1988

Pos	Part Number	Description	Remark	Qty	Model
20	900 075 057 03	M >> 43H 11260 M >> 43H 62893 M >> 42H 05461 M >> 45H 83873 Hexagon-head bolt		4	M44.07 M44.08 M44.40 M44.51 M44.05/06/07 M44.08/09 M44.10/51/52
20	900 067 279 08	M >> 43H 11260 M >> 43H 62893 M >> 42H 05461 M >> 45H 83873 Pan-head screw		4	M44.07 M44.08 M44.40 M44.51
21	900 234 127 00	M 43H 11261 >> M 43H 62894 >> M 42H 05462 >> M 45H 83874 >> Support washer		1	M44.40 M44.07 M44.08 M44.40 M44.51
22	900 095 031 00	Tensioning sleeve 6 X 16		1	
23	477 105 276	Threaded pin		3	
24	944 102 214 03	Pulley		1	M657
25	944 103 133 02	Piston pin bush		1	

Model: 944 85

Model life 1985>>1988



Model: 944 85 Model life 1985>>1988

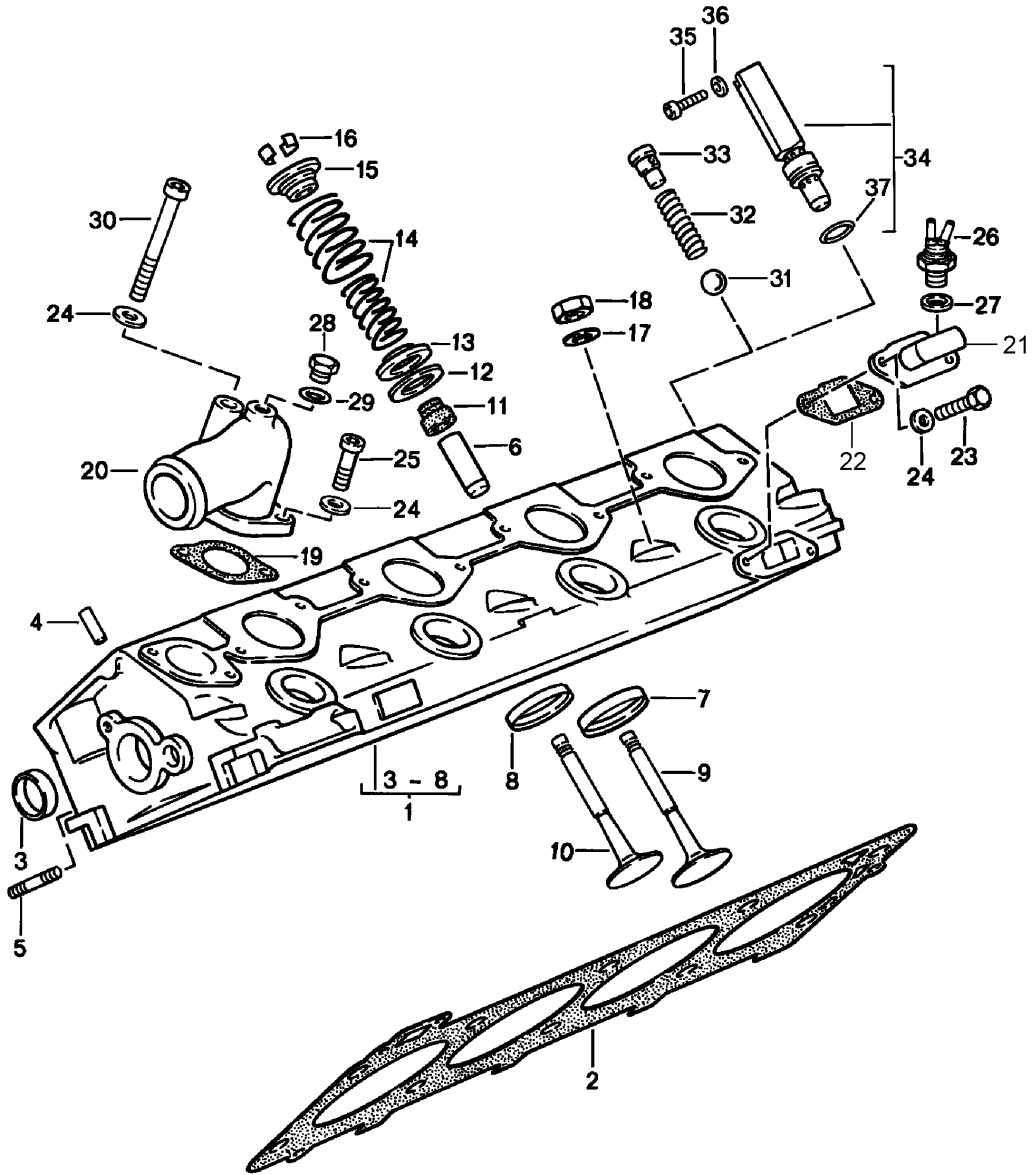
Pos	Part Number	Description	Remark	Qty	Model
1	944 103 091 07	Piston Piston rings Piston Tolerance group 0 100,00 MM		4	M44.07/08
1	944 103 091 17	Piston Tolerance group 1 100,00 MM		4	M44.07/08
1	944 103 091 27	Piston Tolerance group 2 100,00 MM		4	M44.07/08
1	944 103 091 57	Piston Tolerance group 0 100,50 MM		4	M44.07/08
1	944 103 091 67	Piston Tolerance group 1 100,50 MM		4	M44.07/08
1	944 103 091 77	Piston Tolerance group 2 100,50 MM		4	M44.07/08
1	944 103 088 02	Piston		4	M44.09/10
1	944 103 088 12	Piston		4	M44.09/10
1	944 103 088 22	Piston		4	M44.09/10
1	944 103 088 52	Piston Tolerance group 0 100,50 MM		4	M44.09/10
1	944 103 088 62	Piston Tolerance group 1 100,50 MM		4	M44.09/10
1	944 103 088 72	Piston Tolerance group 2		4	M44.09/10
1	951 103 091 01	Piston Tolerance group 0 100,00 MM		4	M44.50/51 M44.52
1	951 103 091 11	Piston Tolerance group 1 100,00 MM		4	M44.50/51 M44.52
1	951 103 091 21	Piston Tolerance group 2 100,00 MM		4	M44.50/51 M44.52
1	951 103 091 51	Piston Tolerance group 0 100,50 MM		4	M44.50/51 M44.52
1	951 103 091 61	Piston Tolerance group 1 100,50 MM		4	M44.50/51 M44.52
1	951 103 091 71	Piston Tolerance group 2 100,50 MM		4	M44.50/51 M44.52
1	944 103 015 06	Piston	87	4	M44.40
1		Piston Tolerance group 0 100,00 MM	88	4	M44.40
1	944 103 015 16	Piston	87	4	M44.40
1		Piston Tolerance group 1 100,00 MM	88	4	M44.40

Model: 944 85 Model life 1985>>1988

Pos	Part Number	Description	Remark	Qty	Model
1	944 103 015 26	Piston	87	4	M44.40
1		Piston Tolerance group 2 100,00 MM	88	4	M44.40
1	944 103 015 56	Piston Tolerance group 0 100,50 MM		4	M44.40
1	944 103 015 66	Piston Tolerance group 1 100,50 MM		4	M44.40
1	944 103 015 76	Piston Tolerance group 2 100,50 MM		4	M44.40
2	N 012 277 1	Circlip		8	
3	944 103 902 82	Set of piston rings 100,00 MM		4	M44.05/06/07 M44.08/09 M44.10/40
3	944 103 902 83	Set of piston rings 100,00 MM		4	M44.05/06/07 M44.08/09 M44.10/40
3	944 103 902 92	Set of piston rings 100,50 MM		4	M44.05/06/07 M44.08/09 M44.10/40
3	944 103 902 93	Set of piston rings 100,50 MM		4	M44.05/06/07 M44.08/09 M44.10/40
3	951 103 901 02	Set of piston rings 100,00 MM		4	M44.50/51 M44.52
3	951 103 901 03	Set of piston rings 100,50 MM		4	M44.50/51 M44.52

Model: 944 85

Model life 1985>>1988



Model: 944 85 Model life 1985>>1988

Pos	Part Number	Description	Remark	Qty	Model
		Cylinder head Valves			M44.05
1	944 104 033 06	Cylinder head	-87	1	
1	944 104 033 08	Cylinder head	88	1	
2	951 104 374 02	Cylinder head gasket		1	
(2)	951 104 374 50	Cylinder head gasket for Recond. cylinder heads		1	
3	900 036 005 02	Lid		2	
4	900 302 019 00	Straight pin		2	
5	999 062 044 02	Stud		8	
6	944 104 328 51	M 8 X 30 Valve guide 1st oversize		8	
7	944 104 331 51	Valve seat ring Intake Oversize		4	
8	944 104 333 50	Valve seat ring Exhaust Oversize		4	
9	928 105 409 02	Intake valve		4	
10	928 105 410 04	Exhaust valve		4	
-	000 043 204 48	Sleeve for Valve stem seal		X	
11	928 104 193 12	Valve stem seal		8	
(11)	928 104 193 13	Valve stem seal		8	
(11)	964 104 111 07	Valve stem seal		8	
12	928 105 468 03	Washer 0,5		X	
12	928 105 470 03	Washer 1,0		X	
13	928 105 469 06	Washer		8	
14	928 105 905 09	Set of valve springs		8	
15	928 105 449 04	Concave washer		8	
16	901 105 417 00	Collet		16	
17	944 104 229 00	Washer		10	
18	999 076 043 02	Hexagon nut M 12 X 1,5		10	
19	944 104 311 06	Gasket		1	
20	944 104 315 04	Cooling water socket		1	
21	944 104 317 05	Adapter		1	M44.07/08 M44.09/10
22	928 106 197 01	Gasket		1	
22	928 106 197 10	Gasket		1	
22	928 106 197 04	Gasket		1	
23	900 075 079 02	Hexagon-head bolt M 8 X 20		2	
24	900 025 007 02	Washer A 8,4		4	
24	900 025 007 03	Washer A 8,4		4	
25	N 014 725 2	Pan-head screw M 8 X 25		2	
25	900 067 018 03	Pan-head screw M 8 X 25		2	
26	058 131 851 A	Thermo valve		1	M44.07/08 M44.09/10
27	N 013 808 3	Sealing ring A 10 X 16		1	M44.07/08 M44.09/10
28	931 106 156 00	Screw plug		1	
29	N 013 830 7	Sealing ring		1	

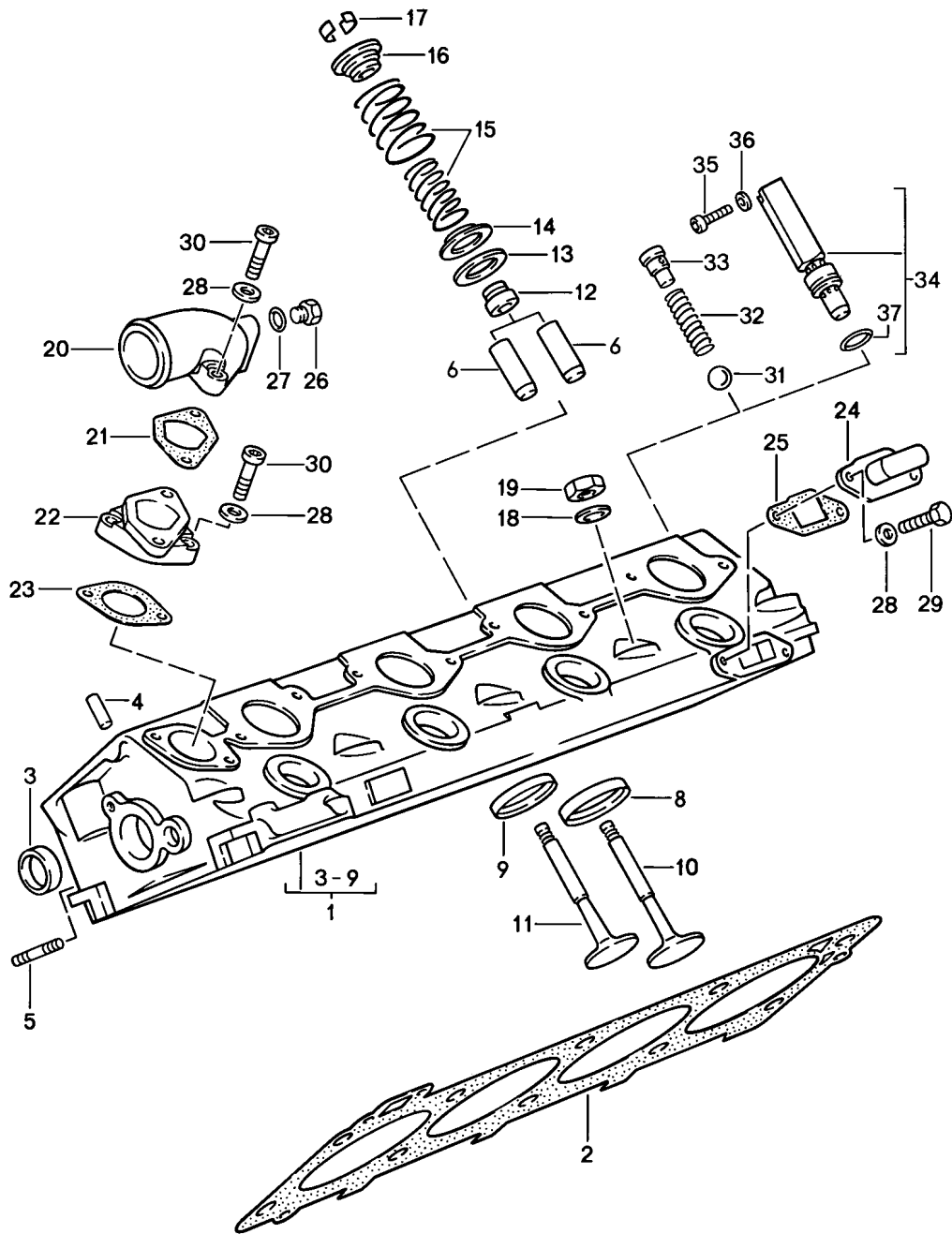
Model: 944 85

Model life 1985>>1988

Pos	Part Number	Description	Remark	Qty	Model
30	N 044 732 1	A 8 X 12 Pan-head screw		1	
31	N 025 669 2	M 8 X 75 Ball		1	
32	928 104 129 00	Compression spring		1	
33	951 104 229 00	Guide piece for Cylinder head 944.104.033.08		1	
34	944 107 239 01	Pressure relief valve		1	
35	N 014 740 2	Pan-head screw		1	
35	N 014 740 11	Pan-head screw		1	
36	999 123 032 30	Sealing ring		1	
37	999 707 078 40	O-ring		1	

Model: 944 85

Model life 1985>>1988



Model: 944 85 Model life 1985>>1988

Pos	Part Number	Description	Remark	Qty	Model
		Cylinder head			M44.50/51 M44.52
		Valves			
1	951 104 038 01	Cylinder head		1	M44.50/51
1	951 104 038 04	Cylinder head		1	M44.52
2	951 104 374 02	Cylinder head gasket		1	
(2)	951 104 374 50	Cylinder head gasket for Recond. cylinder heads		1	
3	900 036 005 02	Lid		2	
4	900 302 019 00	Straight pin		2	
5	999 062 044 02	Stud		8	
6	944 104 328 51	M 8 X 30 Valve guide 1st oversize		8	
8	951 104 331 50	Valve seat ring Intake Oversize		4	
9	951 104 333 51	Valve seat ring Exhaust Oversize		4	
10	951 105 415 00	Intake valve		4	
11	951 105 416 07	Exhaust valve		4	
-	000 043 204 48	Sleeve for Valve stem seal		X	
12	951 104 195 01	Valve stem seal		8	M44.50/51
12		Valve stem seal		8	M44.52
13	928 105 468 03	Washer 0,5 MM		X	
13	928 105 470 03	Washer 1,0 MM		X	
14	928 105 469 06	Washer		8	
15	951 105 905 10	Set of valve springs		8	
16	928 105 449 04	Concave washer		8	
17	901 105 417 00	Collet		16	
18	944 104 229 00	Washer		10	
19	999 076 043 02	Hexagon nut M 12 X 1,5		10	
20	951 104 315 00	Cooling water socket		1	
21	951 104 311 03	Gasket		1	
22	951 104 313 00	Intermediate piece		1	
23	944 104 311 06	Gasket without asbestos		1	
24	944 104 317 04	Adapter		1	
25	928 106 197 04	Gasket without asbestos		1	
26	931 106 156 00	Screw plug		1	
27	N 013 830 7	Sealing ring A 8 X 12		1	
28	N 011 525 13	Washer A 8,4		6	
29	N 044 704 1	Pan-head screw M 8 X 28		4	
30		Pan-head screw M 8 X 28		4	
30	N 014 777 2	Pan-head screw M 8 X 30		4	
31	N 025 669 2	Ball		1	
32	928 104 129 00	Compression spring		1	
33	951 104 229 00	Guide piece for Cylinder head		1	

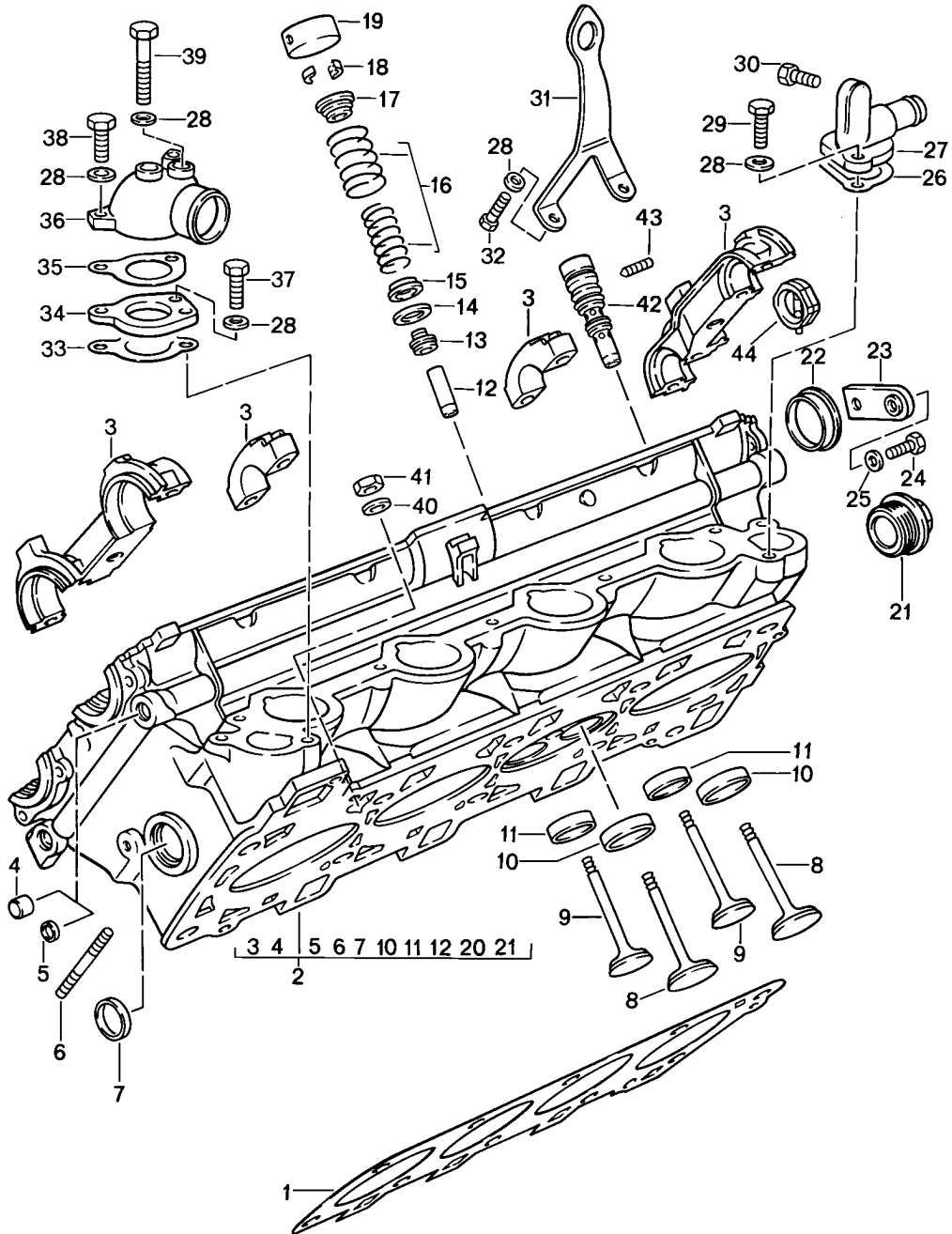
Model: 944 85

Model life 1985>>1988

Pos	Part Number	Description	Remark	Qty	Model
34	944 107 239 01	951.104.038.02 Pressure relief valve		1	
35	N 014 740 2	Pan-head screw		1	
35	N 014 740 11	Pan-head screw		1	
36	999 123 032 30	Sealing ring		1	
37	999 707 078 40	O-ring		1	

Model: 944 85

Model life 1985>>1988



Model: 944 85

Model life 1985>>1988

Pos	Part Number	Description	Remark	Qty	Model
		Cylinder head Valves			M44.40
1	951 104 374 02	Cylinder head gasket		1	
(1)	951 104 374 50	Cylinder head gasket for Recond. cylinder heads		1	
2	944 104 013 03	Cylinder head		1	
4	911 101 182 00	Stopper		X	
5	N 011 918 1	Lid		X	
6	999 062 139 02	Stud BM 8 X 26		12	
7	900 036 014 02	Lid		1	
8	928 105 641 05	Intake valve		8	
9	928 105 642 06	Exhaust valve		8	
-	000 043 204 45	Sleeve for Valve stem seal		X	
10	928 104 611 17	Valve seat ring Intake Oversize 0.25 mm		8	
11	928 104 612 14	Valve seat ring Exhaust Oversize 0.25 mm		8	
12	944 104 327 51	Valve guide 1st oversize		16	
13	928 104 601 07	Valve stem seal		16	
14	944 105 465 02	Washer 0,5 MM		X	
14	944 105 465 03	Washer 1,0 MM		X	
14	944 105 465 04	Washer 1,5 MM		X	
15	944 105 463 02	Washer		16	
16	944 105 907 01	Set of valve springs		16	
17	944 105 467 03	Concave washer		16	
18	928 105 221 10	Valve collet		32	
19	928 105 312 02	Hydraulic valve tappet		16	
21	944 104 228 00	Screw plug		1	
21	944 104 228 01	Screw plug		1	
22	928 105 215 00	Lid		3	
23	928 105 205 00	Support		3	
24	900 075 016 02	Hexagon-head bolt M 6 X 22		3	
24	900 075 016 03	Hexagon-head bolt M 6 X 22		3	
25	N 011 524 7	Washer A 6,4		3	
25	N 011 524 27	Washer A 6,4		3	
26	928 106 167 01	Gasket		1	
27	928 104 713 02	Adapter		1	
28	900 025 007 02	Washer A 8,4		7	
28	900 025 007 03	Washer A 8,4		7	
29	900 075 029 09	Hexagon-head bolt M 8 X 25		2	
29	900 075 029 03	Hexagon-head bolt M 8 X 25		2	
30	N 010 113 4	Hexagon-head bolt		1	
31	944 104 415 01	Shackle for transportation		1	
32	N 012 241 11	Spring washer M 8 X 22		2	

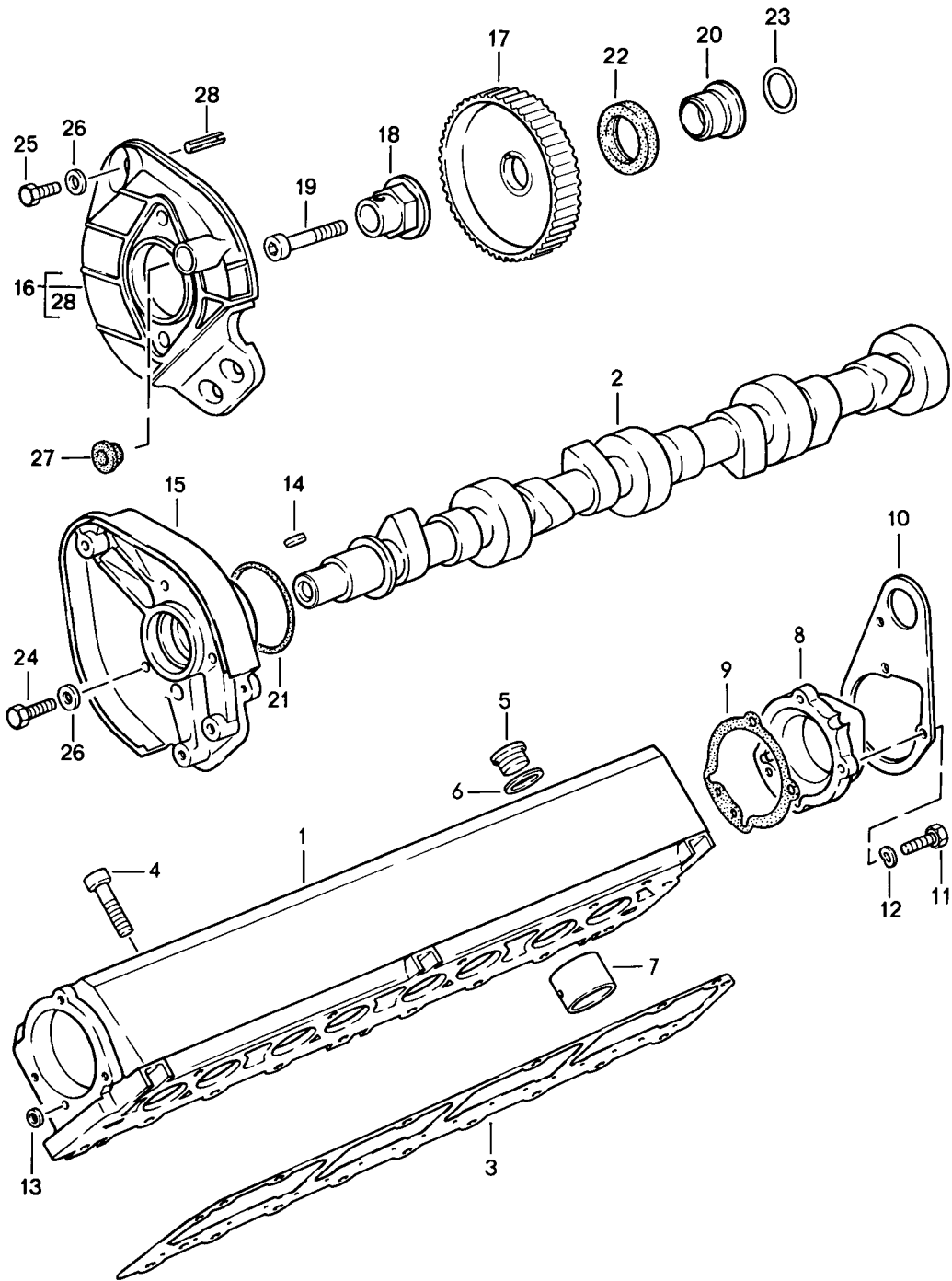
Model: 944 85

Model life 1985>>1988

Pos	Part Number	Description	Remark	Qty	Model
33	944 104 305 03	Gasket		1	
33		Gasket without asbestos		1	
34	944 104 323 00	Intermediate flange		1	
35	944 104 302 03	Gasket		1	
35		Gasket without asbestos		1	
36	944 104 308 01	Cooling water socket		1	
37	N 014 725 2	Pan-head screw M 8 X 25		1	
37	900 067 018 03	Pan-head screw M 8 X 25		1	
38	N 014 725 2	Pan-head screw M 8 X 25		1	
38	900 067 018 03	Pan-head screw M 8 X 25		1	
39	N 044 732 1	Pan-head screw M 8 X 75		1	
40	944 104 229 00	Washer		10	
41	999 076 043 02	Hexagon nut M 12 X 1,5		10	
42	944 107 139 00	Pressure relief valve		1	
42		Pressure relief valve		1	
43	999 218 035 02	Threaded pin M 6 X 20		1	
(44)	928 105 262 00	Pin		2	

Model: 944 85

Model life 1985>>1988



Model: 944 85

Model life 1985>>1988

Pos	Part Number	Description	Remark	Qty	Model
		Camshaft housing			M44.05/06/07 M44.08/09 M44.10/50/51 M44.52
1	944 105 250 07	Camshaft		1	
2	944 105 155 09	Camshaft housing		1	M44.05/06/07 M44.08/09 M44.10
		Camshaft			
2	944 105 155 05	Camshaft		1	M44.50/51 M44.52
3	928 105 199 12	Gasket		1	
4	900 067 214 02	Pan-head screw		15	
		M 8 X 35			
4	900 067 214 01	Pan-head screw		15	
		M 8 X 35			
5	900 219 009 30	Screw plug		6	
		M 18 X 1,5			
6	900 123 140 30	Sealing ring		6	
		A 18 X 22			
7	928 105 311 06	Hydraulic valve tappet		8	
7	928 105 311 08	Hydraulic valve tappet		8	
8	928 105 153 04	Lid		1	
9	928 105 189 02	Gasket		1	
10	944 101 413 02	Engine lifting bracket		1	
11	900 075 016 02	Hexagon-head bolt		3	
		M 6 X 22			
11	900 075 016 03	Hexagon-head bolt		3	
		M 6 X 22			
12	N 012 226 5	Spring washer		3	
		B 6			
13	928 105 184 00	Sealing ring		1	
13	928 105 184 01	Sealing ring		1	
14	900 117 045 00	Feather key		1	
		4 X 4			
15	944 105 119 03	Camshaft bearing		1	
16	944 105 029 01	Bracket		1	
17	944 105 545 03	Camshaft timing gear		1	
17	944 105 545 13	Camshaft timing gear		1	
18	944 105 142 00	Driver		1	
19	999 510 022 08	Pan-head screw		1	
		M 10 X 65			
20	928 105 139 02	Spacer sleeve		1	M44.07 M44.08
		M >> 43F 06994			
		M >> 43F 21202			
20	928 105 139 04	Spacer sleeve		1	M44.05/06/07 M44.08/09 M44.10 M44.07 M44.08
		M 43F 06995 >>			
		M 43F 21203 >>			
20	928 105 139 05	Spacer sleeve		1	M44.05/06/07 M44.08/09 M44.10 M44.07 M44.08
		M 43F 06995 >>			
		M 43F 21203 >>			
21	999 701 602 40	O-ring		1	
		50 X 5			
22	999 113 282 40	Shaft sealing ring		1	
		30 X 47			
		M >> 43F 06994			M44.07
		M >> 43F 21202			M44.08
22	999 113 349 40	Shaft sealing ring		1	M44.05/06/07 M44.08/09

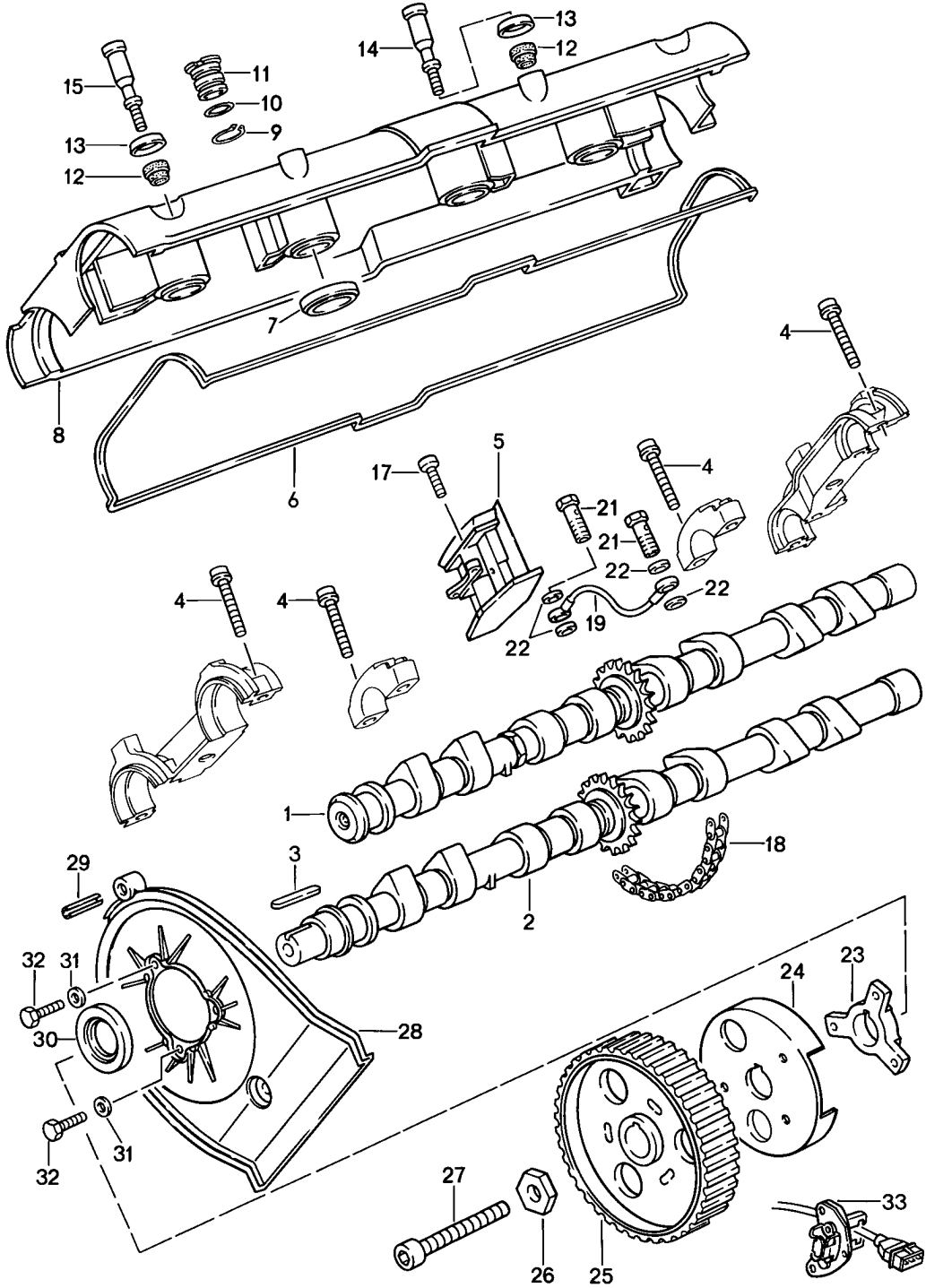
Model: 944 85

Model life 1985>>1988

Pos	Part Number	Description	Remark	Qty	Model
		32 X 47			M44.10
		M 43F 06995 >>			M44.07
		M 43F 21203 >>			M44.08
23	944 105 321 00	Gasket		1	
24	N 010 347 3	Hexagon-head bolt M 6 X 35		3	
25	900 074 015 02	Hexagon-head bolt M 6 X 30		3	
25	900 074 015 03	Hexagon-head bolt M 6 X 30		3	
26	N 011 524 7	Washer A 6,4		6	
26	N 011 524 27	Washer A 6,4		6	
27	944 105 131 00	Stopper		1	
28	999 095 103 01	Roll pin 8 X 16		2	

Model: 944 85

Model life 1985>>1988

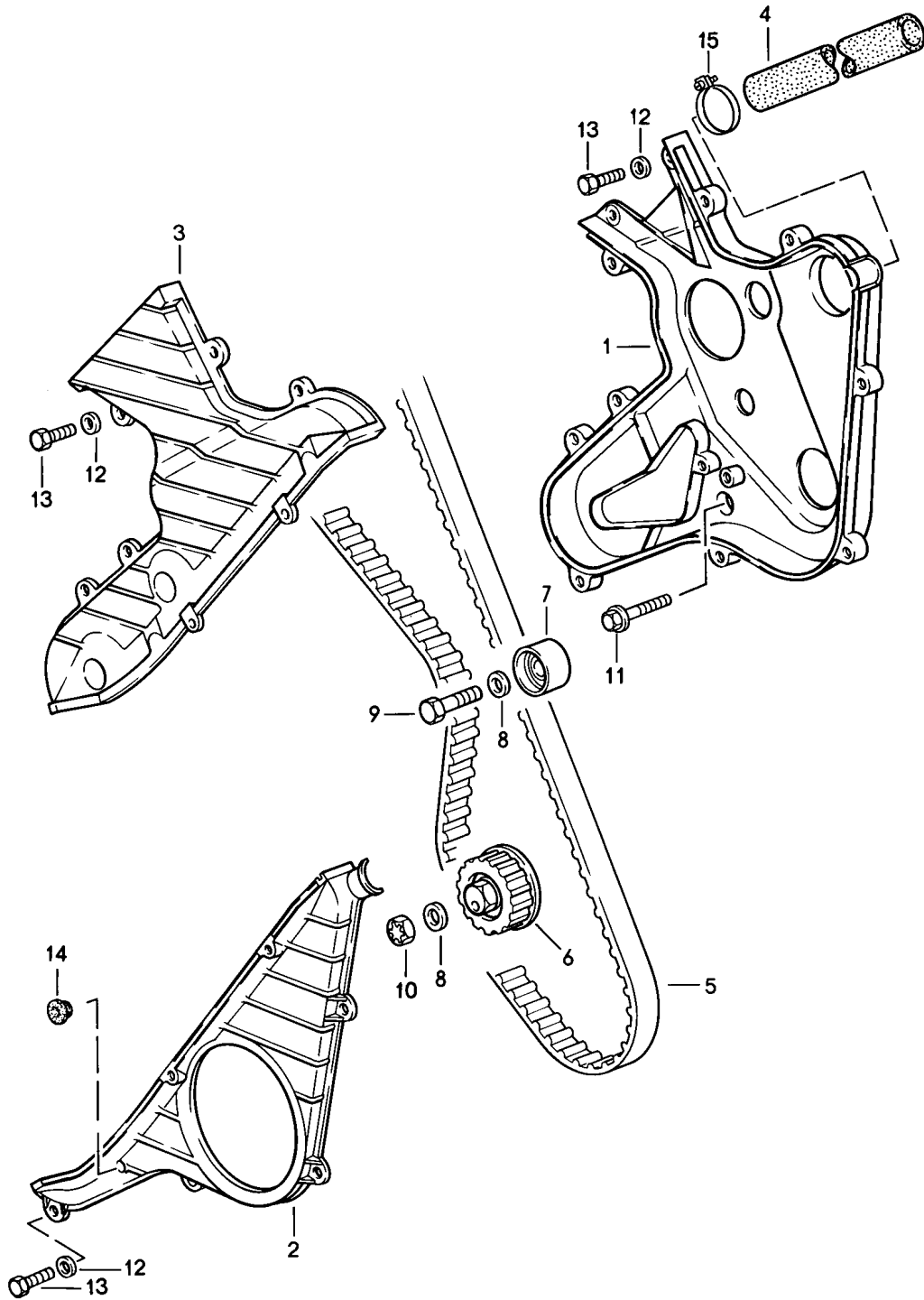


Model: 944 85 Model life 1985>>1988

Pos	Part Number	Description	Remark	Qty	Model
1	944 105 277 04	Camshaft		1	M44.40
2	944 105 275 04	Camshaft Intake Exhaust		1	
3	900 117 073 00	Feather key		1	
4	999 218 026 02	Pan-head screw M 8 X 37		24	
4	999 510 029 02	Combination screw M 8 X 40		24	
5	944 105 049 01	Chain adjuster		1	
-	928 105 509 01	Guide rail Upper		1	
-	944 105 949 00	Guide rail Repair kit		1	
6	928 104 447 09	Gasket		1	
7	928 104 443 08	Sealing ring		4	
8	928 104 461 08	Cylinder head cover		1	
9	N 012 420 1	Circlip		2	
10	900 174 056 40	O-ring		2	
11	928 104 485 01	Lid		2	
12	928 104 115 02	Thrust ring		13	
13	928 104 116 00	Thrust washer		13	
14	928 104 117 01	Pan-head screw Long		10	
14	928 104 117 03	Pan-head screw Long		10	
15	928 104 111 01	Pan-head screw Short		3	
15	928 104 111 02	Pan-head screw Short		3	
17	N 014 703 2	Pan-head screw M 6 X 22		2	
18	944 105 501 05	Timing chain		1	
19	944 105 167 07	Pipeline		1	
21	928 105 476 00	Banjo bolt		2	
(21)	928 105 476 04	Banjo bolt		2	
22	900 123 050 30	Sealing ring		4	
23	928 105 459 00	Hub		1	
24	944 105 229 03	Rotor trim		1	
25	944 105 545 12	Camshaft timing gear		1	
25	944 105 545 31	Camshaft timing gear		1	
26	928 105 457 02	Washer		1	
27	999 510 022 08	Pan-head screw M 10 X 65		1	
28	944 105 179 04	Toothed belt covering		1	
29	999 095 103 01	Roll pin		1	
30	999 113 282 40	Shaft sealing ring		1	
31	900 025 007 02	Washer		3	
31	900 025 007 03	Washer		3	
32	900 075 014 02	Hexagon-head bolt		3	
32	900 075 014 03	Hexagon-head bolt		3	
33		Hall sender See group 9/01/01			
(34)	944 105 189 04	Toothed belt covering		1	
(34)	944 105 189 05	Toothed belt covering		1	

Model: 944 85

Model life 1985>>1988



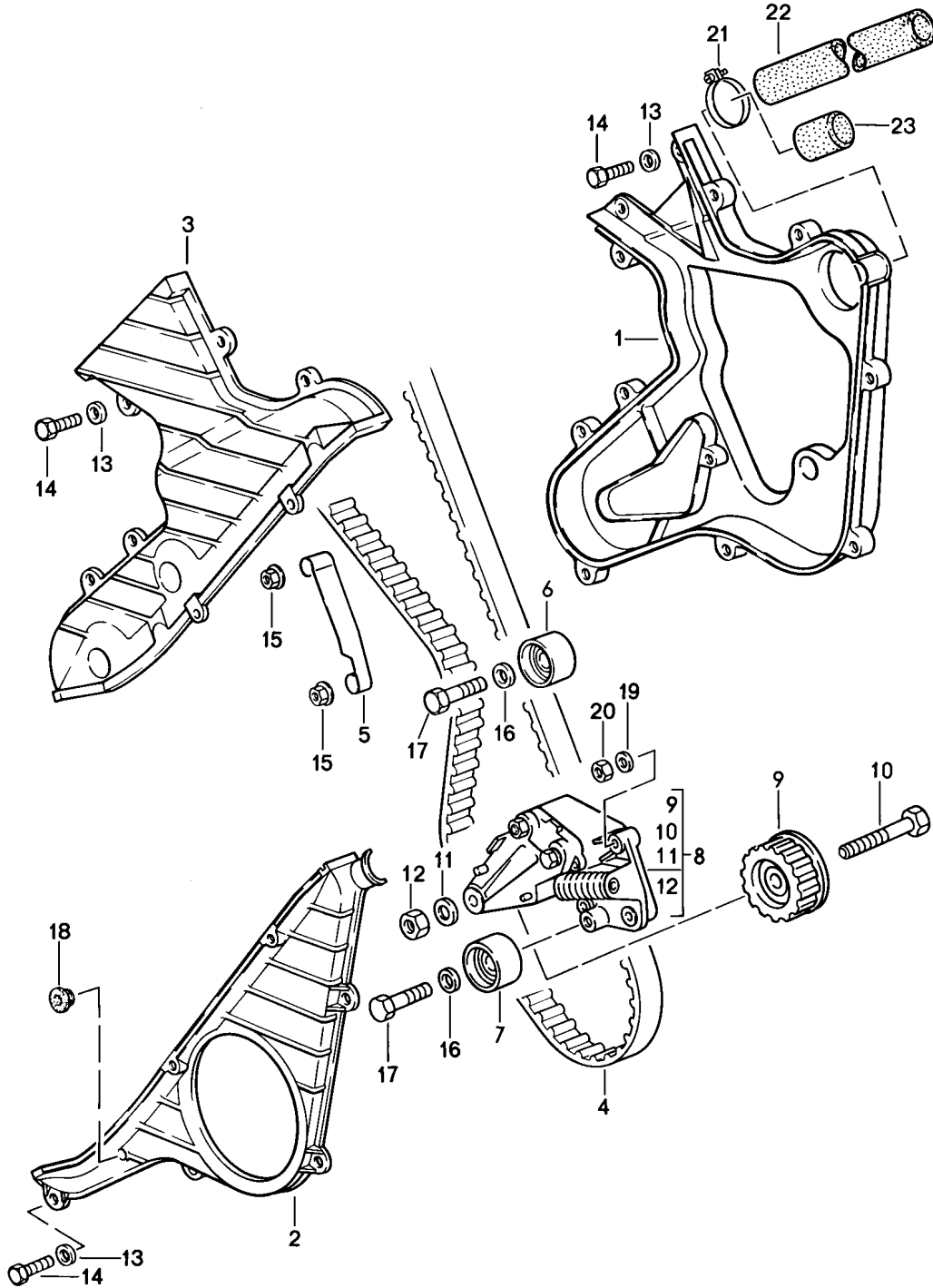
Model: 944 85

Model life 1985>>1988

Pos	Part Number	Description	Remark	Qty	Model
		Driving mechanism Camshaft	-86		
1	944 105 045 04	Toothed belt covering		1	
2	944 105 048 00	Toothed belt covering		1	
3	944 105 047 00	Toothed belt covering		1	
4	944 105 149 01	Hose		1	M44.05/06/07 M44.08
4	951 105 149 03	Breather hose		1	M44.50/51 M44.52
5	944 105 157 04	Toothed belt		1	
6	944 105 027 04	Tensioning roller		1	
7	944 105 273 02	Roller		1	WW
8	N 011 527 12	Washer A 10,5		2	
8	900 025 081 01	Washer A 10,5		2	
9	900 075 111 08	Hexagon-head bolt M 10 X 35		1	
10	N 022 149 2	Lock nut M 10		1	
11	900 075 344 02	Hexagon-head bolt M 6 X 50		2	
11	900 075 344 01	Hexagon-head bolt M 6 X 50		2	
12	N 011 524 7	Washer A 6,4		11	
12	N 011 524 27	Washer A 6,4		11	
13	999 072 005 09	Hexagon nut M 6 X 12		11	
13	999 072 005 01	Hexagon nut M 6 X 12		11	
14	999 703 164 40	Stopper		1	
15	999 512 252 02	Hose clamp LA 23 - 35		2	M44.50/51 M44.52

Model: 944 85

Model life 1985>>1988

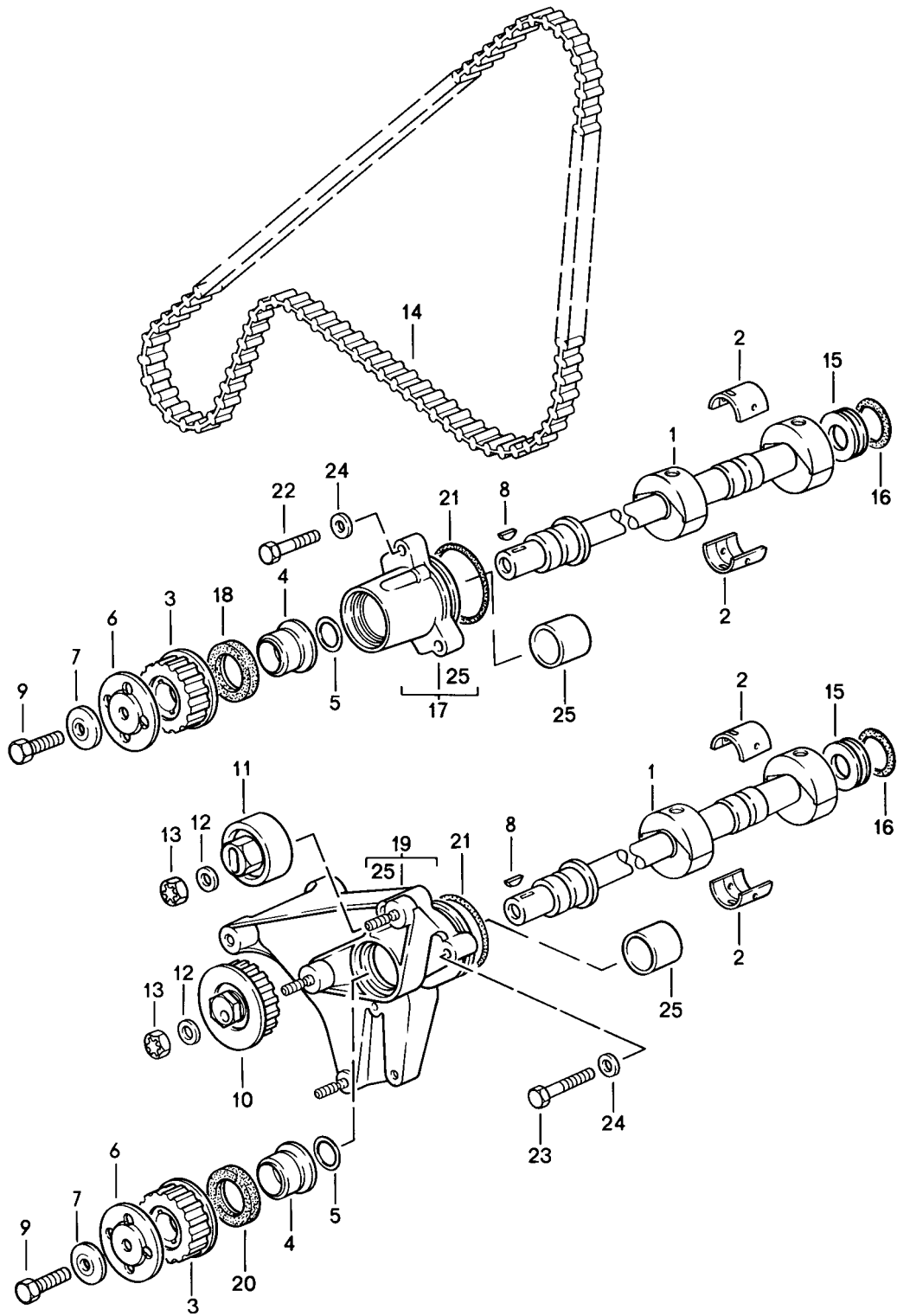


Model: 944 85 Model life 1985>>1988

Pos	Part Number	Description	Remark	Qty	Model
		Driving mechanism Camshaft	87-		
1	944 105 039 02	Toothed belt covering		1	M44.05/06/07 M44.08/09 M44.10/51/52 M44.40
1	944 105 033 02	Toothed belt covering		1	M44.40
2	944 105 037 00	Toothed belt covering		1	
3	944 105 041 01	Toothed belt covering		1	M44.05/06/07 M44.08/09 M44.10/51/52 M44.40
3	944 105 035 01	Toothed belt covering		1	M44.40
4	944 105 157 04	Toothed belt		1	M44.05/06/07 M44.08/09 M44.10/51/52 M44.40
4	944 105 323 02	Toothed belt		1	M44.40
5	944 105 213 01	Securing clip		1	
6	944 105 241 03	Roller		1	
6	944 105 241 04	Roller		1	
7	944 105 241 02	Roller		1	M44.40
8	944 105 067 14	Tensioner for toothed belt		1	M44.05/10 M44.51/52
8	944 105 067 09	Tensioner for toothed belt		1	M44.40
8	944 105 067 13	Tensioner for toothed belt		1	M44.40
8	944 105 067 15	Tensioner for toothed belt		1	M44.40
8	944 105 067 16	Tensioner for toothed belt		1	M44.40
9	944 105 631 04	Tensioning roller		1	M44.05/06/07 M44.08/09 M44.10/51/52 M44.40
9	944 105 631 06	Tensioning roller		1	M44.05/06/07 M44.08/09 M44.10/51/52 M44.40
9	944 105 631 10	Tensioning roller		1	M44.40
10	N 010 445 2	Hexagon-head bolt M 10 X 45		1	
10	900 074 372 01	Hexagon-head bolt M 10 X 45		1	
11	900 025 008 09	Washer		1	
11	900 025 008 04	Washer		1	
12	900 910 034 02	Lock nut M 10		1	
13	N 011 524 7	Washer		11	
13	N 011 524 27	Washer		11	
14	999 072 005 09	Hexagon nut M 6 X 12		11	
14	999 072 005 01	Hexagon nut M 6 X 12		11	
15	999 084 092 02	Lock nut		2	
16	900 025 008 09	Washer		2	
16	900 025 008 04	Washer		2	
17	900 075 043 02	Hexagon-head bolt M 10 X 30		2	
18	999 703 164 40	Stopper		1	
19	900 025 007 02	Washer		3	
19	900 025 007 03	Washer		3	
20	900 076 025 02	Hexagon nut		3	
20	900 076 064 02	Hexagon nut		3	
21	999 512 252 02	Hose clamp		1	
22	944 105 149 01	Hose		1	M44.05/06/07 M44.08/09 M44.10 M44.40
22	951 105 149 03	Breather hose		1	M44.51
22	944 110 218 00	Breather hose		1	M44.40
23	944 106 103 03	Cap		1	

Model: 944 85

Model life 1985>>1988

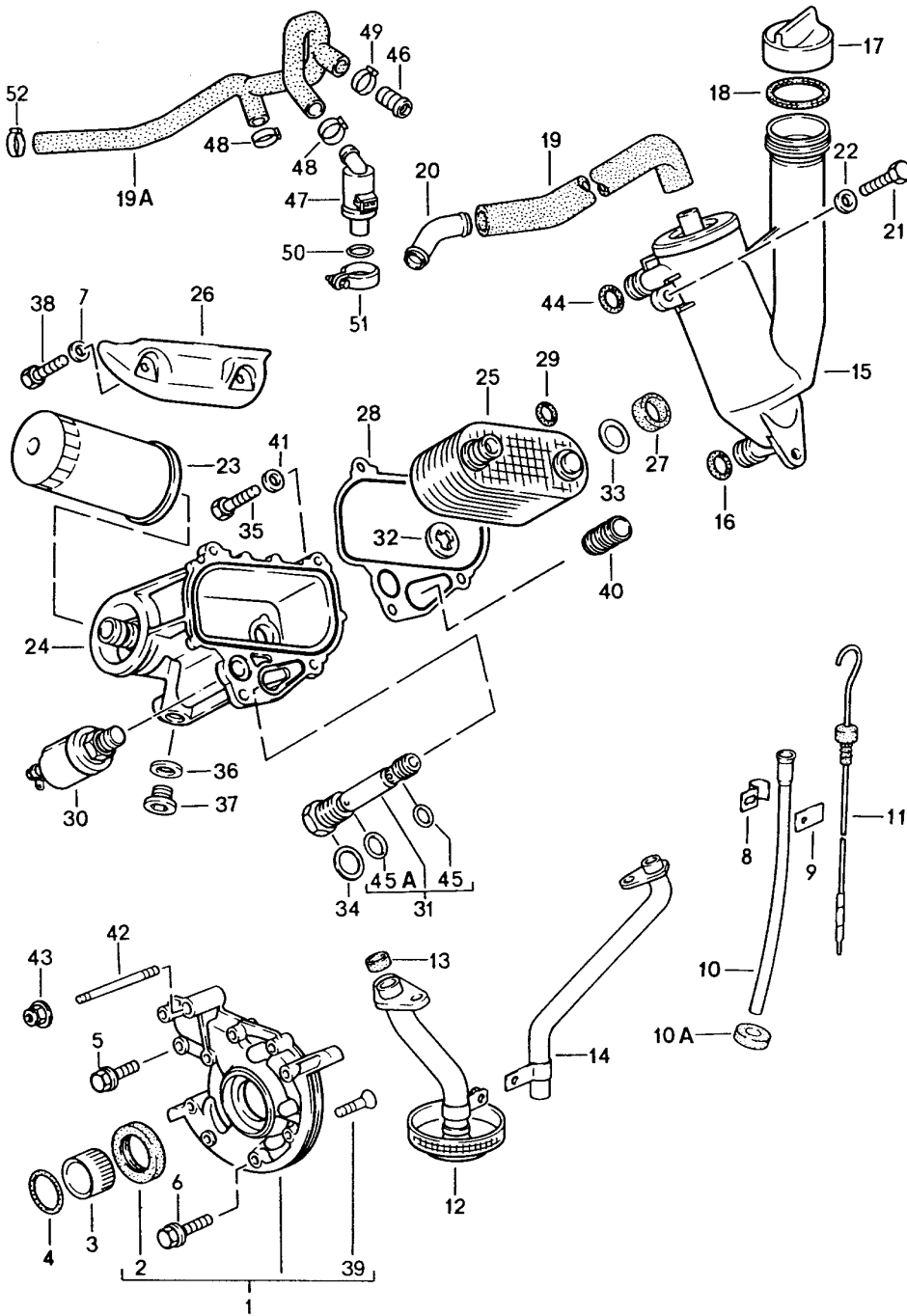


Model: 944 85 Model life 1985>>1988

Pos	Part Number	Description	Remark	Qty	Model
		Driving mechanism			
		Balance shaft			
1	944 102 923 00	Balance shaft		2	
2	944 101 121 07	Bearing shell	-86	4	
2	944 101 121 10	Bearing shell	87-	4	
3	944 102 205 04	Gear wheel		2	
4	928 105 139 02	Spacer sleeve		2	
5	944 105 321 00	Gasket		2	
6	944 102 281 04	Flange washer		2	
7	944 102 213 00	Washer		2	
7	944 102 213 01	Washer		2	
8	N 012 708 2	Woodruff key		2	
9	N 010 275 3	Hexagon-head bolt M 10 X 35		2	
9	900 075 460 01	Hexagon-head bolt M 10 X 35		2	
10	944 102 025 07	Tensioning roller		1	
11	944 102 277 06	Roller		1	
12	N 011 527 12	Washer A 10,5		2	
12	900 025 081 01	Washer A 10,5		2	
13	N 022 149 2	Lock nut M 10		2	
14	944 102 219 04	Toothed belt		1	
		Technical information Group 1 NR.15/95 Attention			
15	944 101 145 02	Locking ring	-86	2	
15	944 101 145 03	Locking ring	87	2	
16	999 701 614 40	Round seal 23,16 X 5,33	-86	2	
16	999 701 875 40	Round seal	87	2	
17	944 101 045 00	Bearing case	/L	1	
18	999 113 282 40	Shaft sealing ring 30 X 47	/L	1	
19	944 101 042 02	Bearing case	/R	1	
20	999 113 281 40	Shaft sealing ring 30 X 48	/R	1	
21	999 701 652 40	O-ring 56,7 X 3,53		2	
22	N 010 335 5	Hexagon-head bolt M 8 X 35		3	
22	900 075 032 03	Hexagon-head bolt M 8 X 35		3	
23	N 010 360 6	Hexagon-head bolt M 8 X 60		3	M657
23	N 010 360 19	Hexagon-head bolt M 8 X 60		3	M657
24	900 025 007 02	Washer A 8,4		6	
24	900 025 007 03	Washer A 8,4		6	
25	944 101 125 02	Bearing sleeve		2	
25	944 101 125 50	Bearing sleeve 0,5 MM Oversize		2	
26	944 347 442 00	Dowel sleeve		1	M657

Model: 944 85

Model life 1985>>1988



Model: 944 85 Model life 1985>>1988

Pos	Part Number	Description	Remark	Qty	Model
		Engine lubrication			M44.05/06/07 M44.08/09 M44.10/40
1	944 107 014 11	Oil pump Up to model 86 Use also: 944.107.911.01		1	
2	999 113 331 40	Shaft sealing ring 38 X 52 X 7		1	
3	944 107 161 02	Toothed sleeve		1	
3	944 107 161 04	Toothed sleeve		1	
4	999 707 283 40	Round seal 28 X 2,58		1	
5	900 075 345 02	Combination screw M 6 X 35		4	
5	900 075 345 01	Combination screw M 6 X 35		4	
6	900 075 343 02	Hexagon-head bolt M 6 X 45		3	
8	944 101 225 00	Clip M >> 43G 05281 M >> 43G 60757		1	M44.07 M44.08
9	944 101 231 00	Retaining bracket		1	
10	944 101 223 00	Guide tube M >> 43G 05281 M >> 43G 60757		1	M44.07 M44.08
10	944 101 027 01	Guide tube M 43G 05282 >> 43H 05637 M 43G 60758 >> 43H 61343		1	M44.07 M44.08
10	944 101 027 05	Guide tube M 43H 05638 >> M 43H 61344 >>		1	M44.05/06/07 M44.08/09 M44.10 M44.07 M44.08 M44.40
10	944 101 024 04	Guide tube		1	M44.40
10A	900 174 044 40	Round seal		1	
-	944 107 329 00	Spacer sleeve		1	
11	944 107 221 02	Oil level dipstick M >> 43H 05637 M >> 43H 61343		1	M44.05/06/07 M44.08 M44.07 M44.08
11	944 107 025 01	Oil level dipstick M 43H 05638 >> M 43H 61344 >>		1	M44.05/06/07 M44.08/09 M44.10/40 M44.07 M44.08
12	944 107 032 06	Suction tube M >> 43H 05637 M >> 43H 61343 M >> 42H 03027		1	M44.05/06/07 M44.08 M44.40 M44.07 M44.08 M44.40
12	944 107 032 07	Suction tube M 43H 05638 >> M 43H 61344 >> M 42H 03028 >>		1	M44.05/06/07 M44.08/09 M44.10/40 M44.07 M44.08 M44.40
13	944 107 136 03	Sealing ring		1	
13	944 107 136 04	Sealing ring		1	
14	944 107 183 03	Return pipe		1	
15	944 107 180 08	Oil separator		1	M44.05/06/07 M44.08/09

Model: 944 85 Model life 1985>>1988

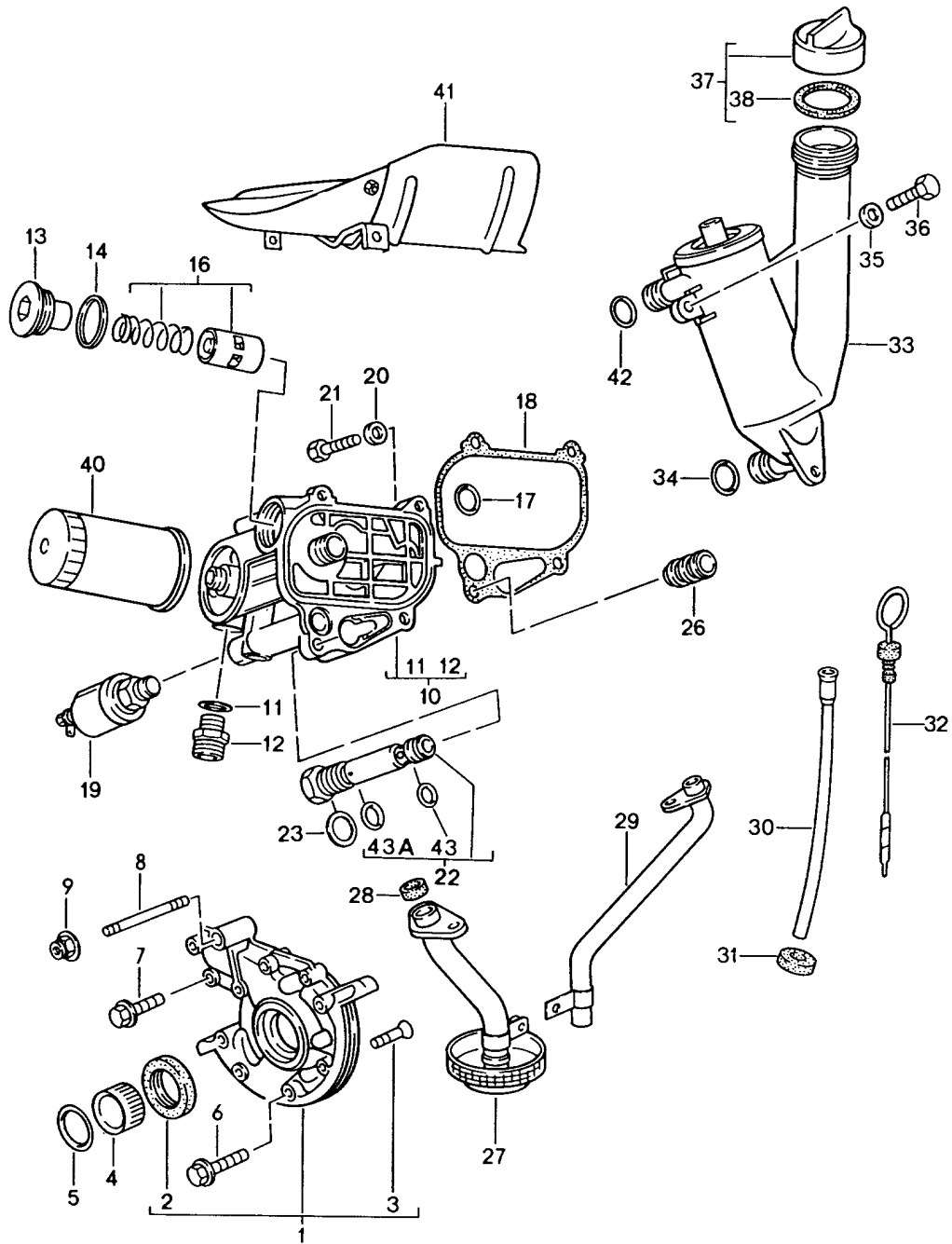
Pos	Part Number	Description	Remark	Qty	Model
15	944 107 182 00	Oil separator		1	M44.10
16	999 701 661 40	Round seal 24 X 5		2	M44.40
17	944 107 091 01	Oil filler cover		1	
18	999 701 653 40	O-ring 3,53 X 44,04 M >> 43G 03392 M >> 43G 60523		1	M44.07 M44.08
18	999 701 846 40	O-ring 4,00 X 45,00 M 43G 03393 >> M 43G 60524 >>		1	M44.05/06/07 M44.08/09 M44.10/40
19	944 107 187 01	Moulded hose	-87	1	M44.05/06/07 M44.08
19	944 107 311 00	Connecting hose	-87	1	M44.40
19A	944 107 187 02	Moulded hose	88-	1	M44.09/10
19A	944 107 311 02	Moulded hose	88-	1	M44.40
20	944 107 367 01	Connecting piece		1	M44.07/08 M44.09/10
21	900 075 029 09	Hexagon-head bolt M 8 X 25		3	
21	900 075 029 03	Hexagon-head bolt M 8 X 25		3	
22	900 025 007 02	Washer A 8,4		7	
22	900 025 007 03	Washer A 8,4		7	
23	944 107 201 03	Oil filter		1	WW
23		Oil filter		1	WW
24	944 107 149 06	Housing	87	1	
25	944 107 165 01	Oil-water radiator		1	WW
25	944 107 165 03	Oil-water radiator		1	WW
26	944 107 053 02	Cover plate		1	M44.05/06/07 M44.08/09 M44.10
26	944 107 053 03	Cover plate	-87	1	M44.40
26		Cover plate	88	1	M44.40
27	944 107 153 02	Rubber ring		1	
28	944 107 147 03	Gasket		1	
29	999 707 043 40	O-ring		2	
30	928 606 203 01	Oil pressure sender		1	
30	928 606 203 04	Oil pressure sender		1	
31	944 107 035 11	Relief valve	-86	1	
31	944 107 035 02	Relief valve	87-	1	
32	944 107 154 00	Washer		1	
33	944 107 219 00	Shim		X	
34	N 043 815 3	Sealing ring A 20 X 24		1	
35	900 075 029 09	Hexagon-head bolt M 8 X 25		4	
35	900 075 029 03	Hexagon-head bolt M 8 X 25		4	
36	900 123 106 30	Sealing ring A 18 X 24		1	
37	N 016 161 1	Screw plug		1	
37	900 124 013 02	Screw plug		1	
39	900 249 017 02	Countersunk-head screw M 6 X 25		2	
40	944 101 181 01	Guide sleeve	-86	1	
41	900 232 004 02	Washer		1	

Model: 944 85 Model life 1985>>1988

Pos	Part Number	Description	Remark	Qty	Model
41	900 232 004 01	Washer		1	
42	944 102 216 01	Stud	-86	1	
43	944 102 243 00	Collar nut	-86	1	
44	999 701 613 40	Round seal 20 X 5		1	
45	999 707 145 40	O-ring	-86	1	
45	999 707 144 40	Sealing ring	87-	1	
45A	999 707 146 40	O-ring	-86	1	
45A	999 707 144 40	Sealing ring	87-	1	
46	944 107 324 00	Valve	88-	1	
47	944 616 104 00	Heating tube	88-	1	
48	999 512 346 02	Hose clamp	88-	2	
48	999 512 676 00	Hose clamp	88-	2	
49	999 512 457 00	Clamp	88-	1	
50	900 174 056 40	O-ring	88-	1	
51	999 512 480 02	Clip	88-	1	
52	999 512 374 02	Hose clamp	88-	1	
-	000 043 010 00	Loctite -574- 50 ML		1	
-	000 043 124 00	Loctite ACTIVATOR N -764- 120 ML		1	

Model: 944 85

Model life 1985>>1988



Model: 944 85

Model life 1985>>1988

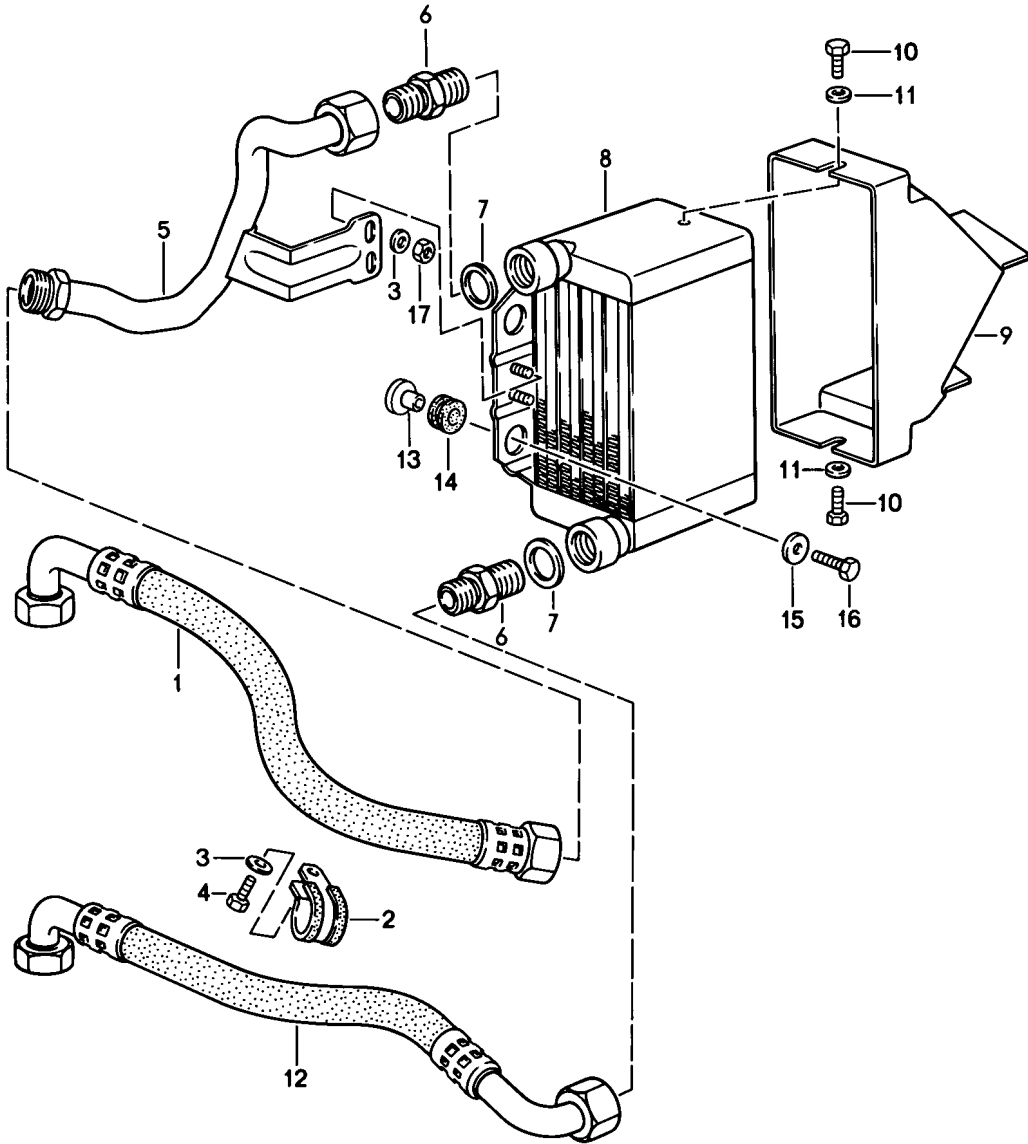
Pos	Part Number	Description	Remark	Qty	Model
1	944 107 014 11	Engine lubrication Oil pump Up to model 86 Use also: 944.107.911.01		1	M44.50/51
2	999 113 331 40	Shaft sealing ring 38 X 52 X 7		1	
3	900 249 017 02	Countersunk-head screw M 6 X 25		2	
4	944 107 161 02	Toothed sleeve		1	
4	944 107 161 04	Toothed sleeve		1	
5	999 707 283 40	Round seal 28 X 2,58		1	
6	900 075 343 02	Hexagon-head bolt M 6 X 45		3	
7	900 075 345 02	Combination screw M 6 X 35		4	
7	900 075 345 01	Combination screw M 6 X 35		4	
8	944 102 216 01	Stud	-86	1	
9	944 102 243 00	Collar nut	-86	1	
10	951 107 051 00	Thermostat housing		1	
11	900 123 011 30	Sealing ring A 22 X 27		2	
12	900 915 101 02	Screw socket		2	
13	951 107 153 01	Screw plug		1	
14	900 123 136 30	Sealing ring		1	
16	951 107 155 01	Thermostat		1	
17	999 707 043 40	O-ring		1	
18	944 107 147 03	Gasket		1	
19	928 606 203 01	Oil pressure sender		1	
19	928 606 203 04	Oil pressure sender		1	
20	900 232 004 02	Washer		4	
20	900 232 004 01	Washer		4	
21	900 075 029 09	Hexagon-head bolt M 8 X 25		4	
21	900 075 029 03	Hexagon-head bolt M 8 X 25		4	
22	944 107 035 11	Relief valve	86	1	
22	944 107 035 02	Relief valve	87-	1	
23	N 043 815 3	Sealing ring A 20 X 24		1	
26	944 101 181 01	Guide sleeve	-86	1	
27	944 107 032 06	Suction tube M >> 45H 01414		1	M44.50/51
27	944 107 032 07	Suction tube M 45H 01415 >>		1	M44.51
28	944 107 136 03	Sealing ring		1	
28	944 107 136 04	Sealing ring		1	
29	944 107 183 03	Return pipe		1	
30	951 101 027 00	Guide tube M >> 45H 01414		1	
30	951 101 027 03	Guide tube M 45H 01415 >>		1	
31	900 174 044 40	Round seal		1	
-	944 107 329 00	Spacer sleeve		1	
32	951 107 021 01	Oil level dipstick M >> 45H 01414		1	
32	944 107 025 01	Oil level dipstick M 45H 01415 >>		1	
33	944 107 180 09	Oil separator		1	
34	999 701 661 40	Round seal 24 X 5		2	

Model: 944 85 Model life 1985>>1988

Pos	Part Number	Description	Remark	Qty	Model
35	900 025 007 02	Washer A 8,4		3	
35	900 025 007 03	Washer A 8,4		3	
36	900 075 029 09	Hexagon-head bolt M 8 X 25		3	
36	900 075 029 03	Hexagon-head bolt M 8 X 25		3	
37	944 107 091 01	Oil filler cover		1	
38	999 701 846 40	O-ring 4,00 X 45,00		1	
40	944 107 201 03	Oil filter		1	
40		Oil filter		1	WW
41	951 107 053 01	Cover plate		1	
42	999 701 613 40	Round seal 20 X 5		1	
43	999 707 145 40	O-ring	-86	1	
43	999 707 144 40	Sealing ring	87-	1	
43A	999 707 146 40	O-ring	-86	1	
43A	999 707 144 40	Sealing ring	87-	1	
-	000 043 010 00	Loctite -574- 50 ML		1	
-	000 043 124 00	Loctite ACTIVATOR N -764- 120 ML		1	

Model: 944 85

Model life 1985>>1988

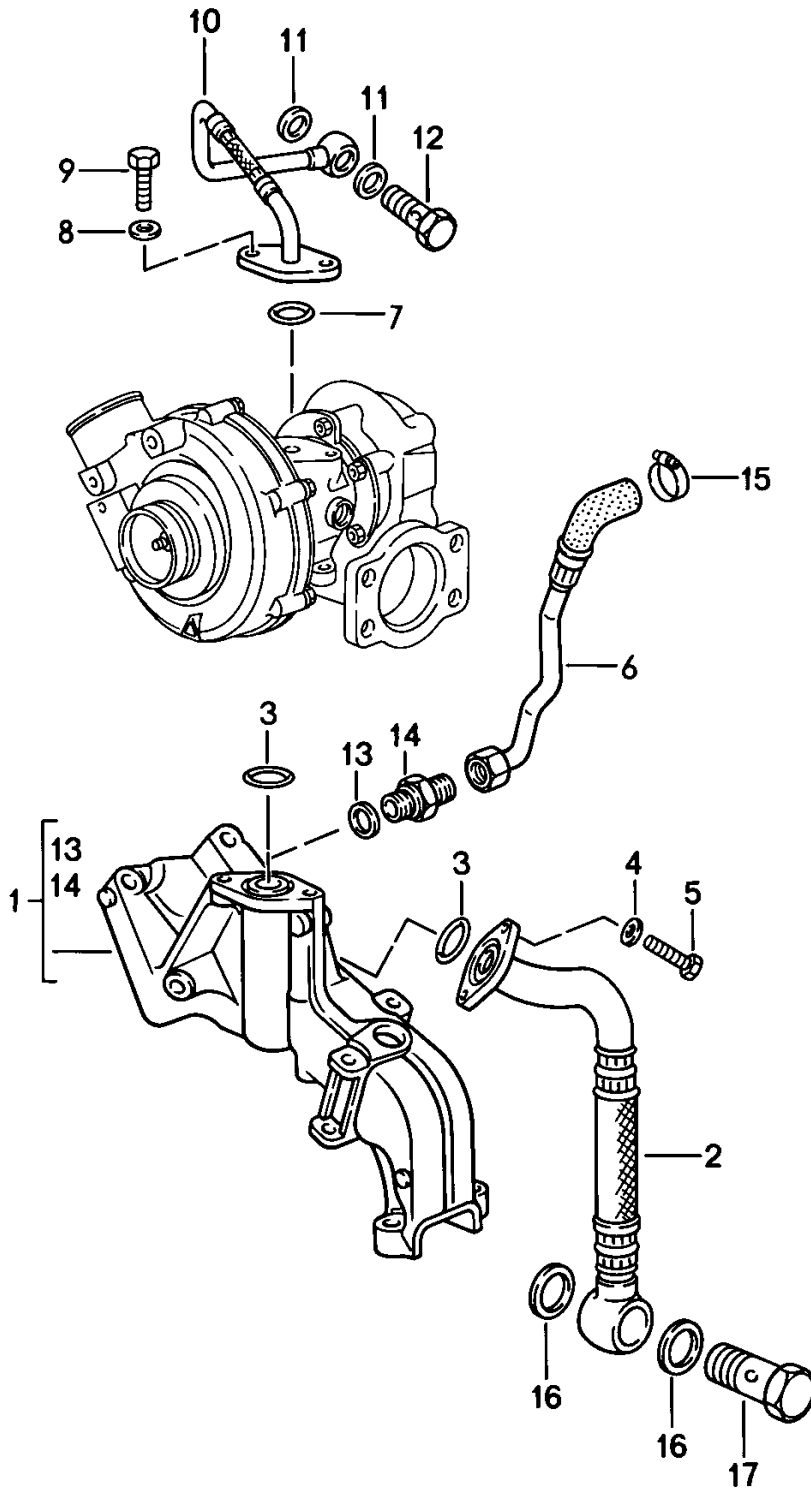


Model: 944 85 Model life 1985>>1988

Pos	Part Number	Description	Remark	Qty	Model
		Oil cooling			M44.50/51 M44.52
1	951 207 113 03	Oil pipe F >>95GN1 57454		1	
1	951 207 113 04	Oil pipe F >>95GN1 57454		1	
1	951 207 113 01	Oil pipe F 95GN1 57455>>		1	
2	N 020 647 1	Clamp		1	
3	N 011 524 7	Washer		1	
3	N 011 524 27	Washer		1	
4	N 010 215 13	Hexagon-head bolt		1	
5	951 207 112 02	Oil pipe		1	
6	900 915 101 02	Screw socket		2	
7	900 123 011 30	Sealing ring A 22 X 27		2	
8	951 207 309 02	Oil cooler		1	
9	951 207 311 03	Air guide		1	
10	N 010 210 13	Hexagon-head bolt M 6 X 10		2	
11	N 011 666 7	Washer B 6,4		2	
12	951 207 111 03	Oil pipe		1	
13	951 207 114 00	Spacer sleeve		2	
14	056 129 669 B	Grommet		2	
15	N 011 612 3	Washer R 7		2	
15	N 011 612 C	Washer R 7		2	
16	900 075 341 02	Combination screw M 6 X 25		2	
16	900 075 341 01	Combination screw M 6 X 25		2	
17	900 076 010 02	Nut		2	
17	900 076 010 0B	Nut		2	

Model: 944 85

Model life 1985>>1988



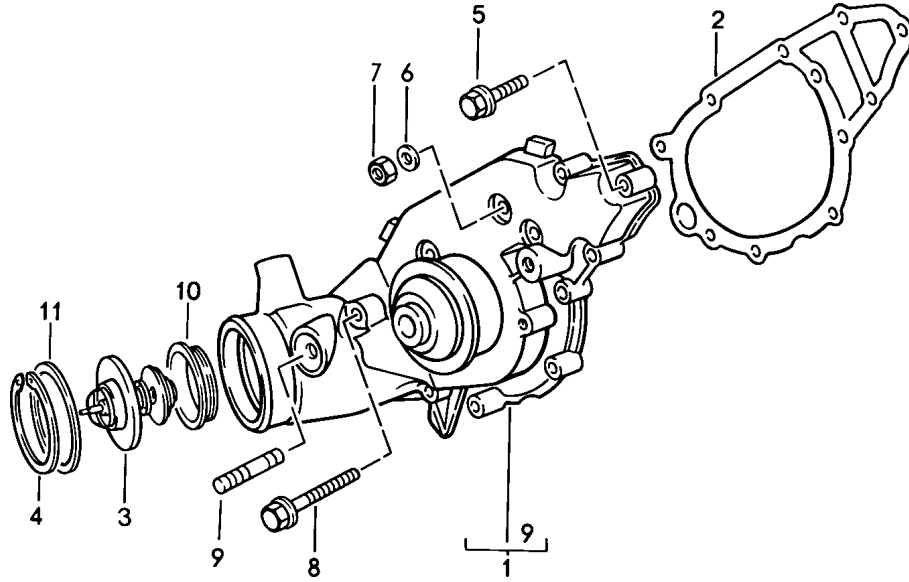
Model: 944 85

Model life 1985>>1988

Pos	Part Number	Description	Remark	Qty	Model
		Engine lubrication			M44.50/51 M44.52
		Turbocharger			
1	951 101 023 00	Engine carrier		1	
2	951 107 108 00	Oil hose		1	
2	951 107 108 01	Oil hose		1	
3	900 174 058 40	Round seal		2	
4	N 011 524 7	Washer		2	
4	N 011 524 27	Washer		2	
5	N 010 217 9	Hexagon-head bolt M 6 X 20		2	
6	951 123 083 00	Vent line		1	
7	999 707 043 40	O-ring		1	
8	900 025 007 02	Washer		2	
8	900 025 007 03	Washer		2	
9	900 075 085 02	Hexagon-head bolt M 8 X 20		2	
10	951 107 317 03	Oil pipe	86	1	
10	951 107 317 05	Oil pipe	87-	1	
11	900 123 007 30	Sealing ring A 14 X 18		2	
12	N 021 074 1	Banjo bolt		1	
12	N 021 074 7	Banjo bolt		1	
13	900 123 140 30	Sealing ring A 18 X 22		1	
14	N 100 462 01	Screw socket		1	
15	999 512 552 00	Hose clamp S 25 / 9 ZV		1	
15	999 512 552 01	Hose clamp S 25 / 9 ZV		1	
16	900 123 049 30	Sealing ring A 26 X 32		2	
17	N 100 407 01	Banjo bolt LL 22		1	

Model: 944 85

Model life 1985>>1988

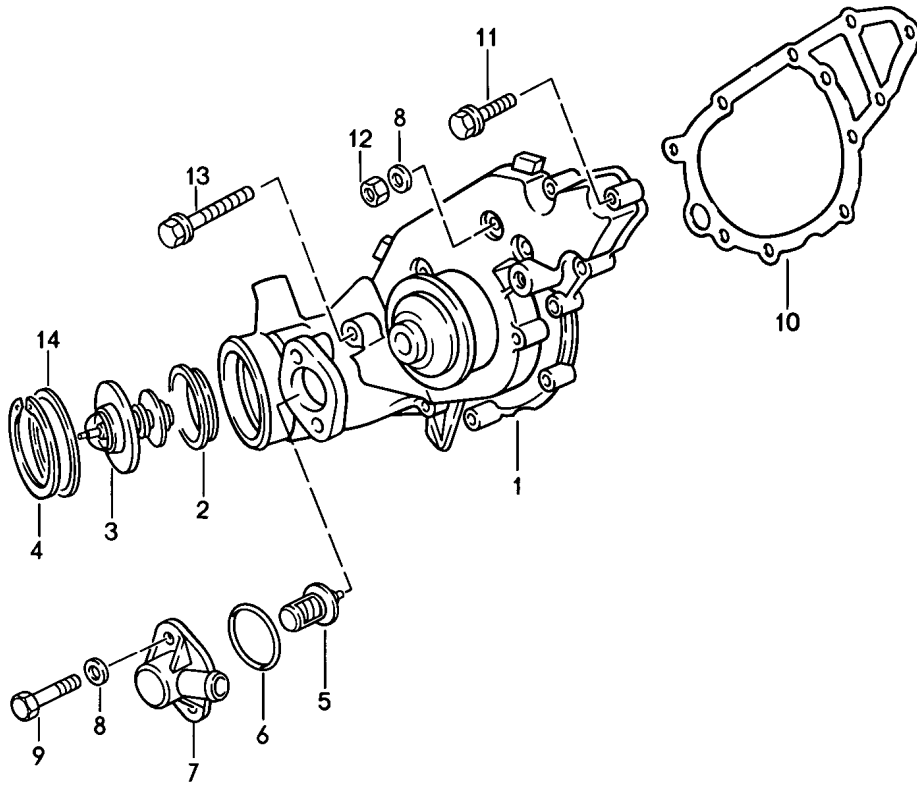


Model: 944 85 Model life 1985>>1988

Pos	Part Number	Description	Remark	Qty	Model
		Water pump			M44.05/06/07 M44.08/09 M44.10/40
1	944 106 021 13	Water pump	-86	1	
1	944 106 021 22	Water pump	87-	1	
1	951 106 021 10	Water pump	87-	1	
		Use also:			
-	944 106 313 00	Lid		1	
-	999 707 283 40	Round seal		1	
-	N 014 704 1	Pan-head screw		2	
-	N 011 524 27	Washer		2	
2	944 106 132 04	Gasket without asbestos		1	
3	944 106 129 05	Thermostat		1	
4	900 042 025 01	Circlip 55 X 2		1	
5	900 075 345 02	Combination screw M 6 X 35		7	
5	900 075 345 01	Combination screw M 6 X 35		7	
6	N 011 524 7	Washer A 6,4		4	
6	N 011 524 27	Washer A 6,4		4	
7	900 076 010 02	Nut M 6		4	
7	900 076 010 0B	Nut M 6		4	
8	900 074 302 02	Hexagon-head bolt M 6 X 70		1	
8	900 074 302 01	Hexagon-head bolt M 6 X 70		1	
9	900 081 060 02	Stud M 6 X 16		1	
10	951 106 155 00	Sealing ring		1	
11	944 106 929 05	Sealing ring		1	

Model: 944 85

Model life 1985>>1988



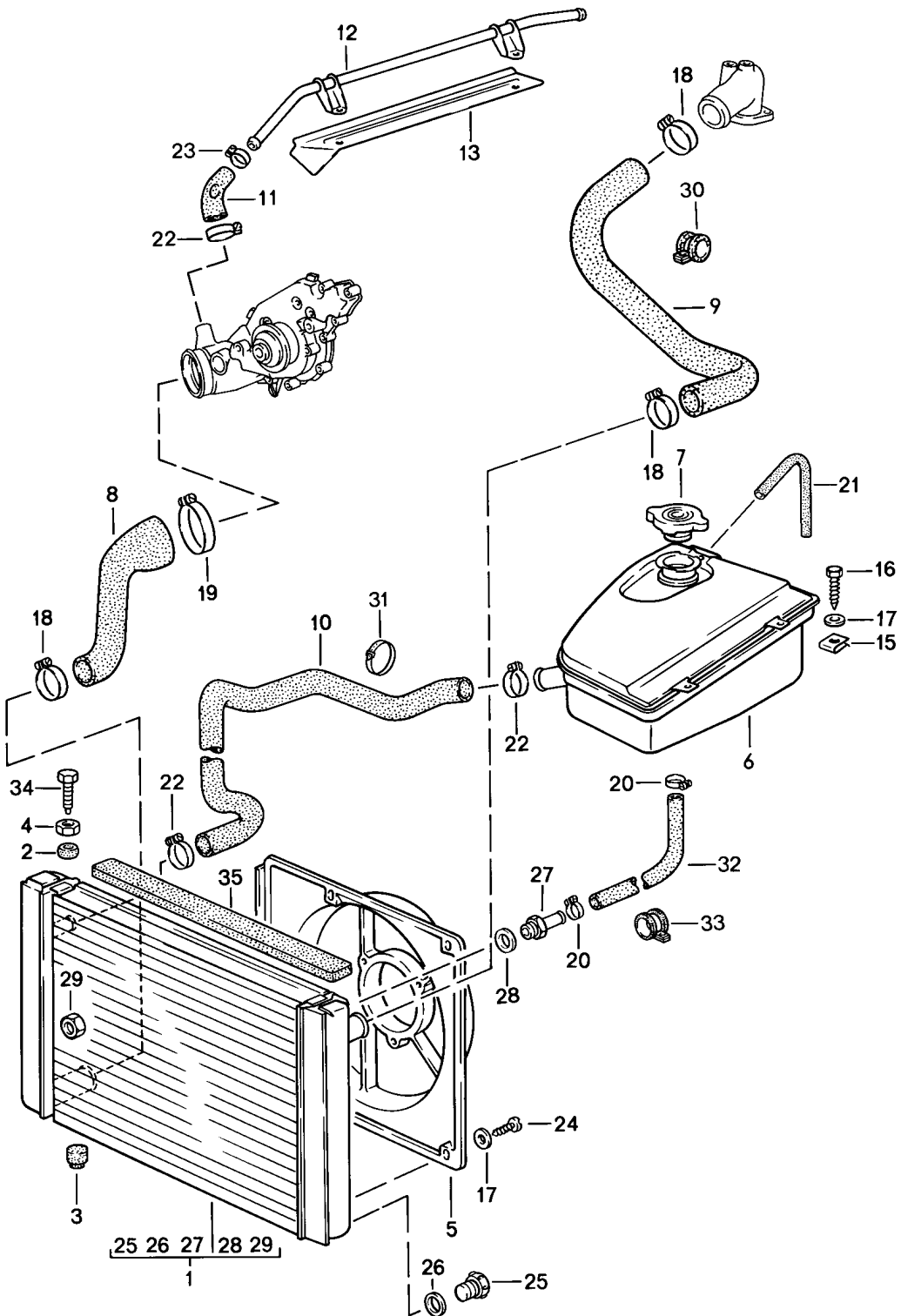
Model: 944 85

Model life 1985>>1988

Pos	Part Number	Description	Remark	Qty	Model
1	951 106 021 00	Water pump Pump	-86	1	M44.50/51
1	951 106 021 01	Water pump	-86	1	
1	951 106 021 08	Water pump	87-	1	
2	951 106 155 00	Sealing ring		1	
3	944 106 129 05	Thermostat		1	
4	900 042 025 01	Circlip 55 X 2		1	
5	951 106 311 00	Thermostat		1	
6	999 707 283 40	Round seal 28 X 2,5		1	
7	951 106 313 00	Housing		1	
8	N 011 524 7	Washer A 6,4		2	
8	N 011 524 27	Washer A 6,4		2	
9	900 067 011 02	Pan-head screw M 6 X 20		2	
9	900 067 011 03	Pan-head screw M 6 X 20		2	
10	944 106 132 04	Gasket		1	
10		Gasket without asbestos		1	
11	900 075 345 02	Combination screw M 6 X 35		7	
11	900 075 345 01	Combination screw M 6 X 35		7	
12	900 076 010 02	Nut M 6		4	
12	900 076 010 0B	Nut M 6		4	
13	900 074 302 02	Hexagon-head bolt M 6 X 70		1	
13	900 074 302 01	Hexagon-head bolt M 6 X 70		1	
14	944 106 929 05	Sealing ring		1	

Model: 944 85

Model life 1985>>1988



Model: 944 85 Model life 1985>>1988

Pos	Part Number	Description	Remark	Qty	Model
		Water cooling			M44.05/06/07 M44.08/09 M44.10
1	944 106 031 03	Radiator		1	
1	944 106 031 04	Radiator		1	
1	944 106 027 06	Radiator	AUT.	1	
2	951 106 053 00	Rubber mounting		2	
3	951 106 107 00	Rubber mounting		2	
4	900 076 025 02	Hexagon nut		2	
4	900 076 064 02	Hexagon nut		2	
5	944 106 143 02	Airscoop for Air conditioner		1	
6	944 106 125 06	Expansion tank		1	
6		F >>94FN4 53065 Expansion tank	-86	1	
6		F 94FN4 53066>> Expansion tank	87-	1	
7	944 106 257 00	Lid		1	
8	944 106 237 07	Water hose		1	
9	944 106 239 07	Water hose		1	
10	944 106 245 02	Water hose		1	
11	944 106 241 03	Water hose		1	
12	944 106 243 03	Water tube		1	
13	944 106 247 00	Heat shield	AUT.	1	
15	477 955 461	Speed nut		2	
16	N 090 172 1	Combination screw 6,3 X 19		2	
16	N 090 172 6	Combination screw 6,3 X 19		2	
17	N 011 524 7	Washer A 6,4		6	
17	N 011 524 27	Washer A 6,4		6	
18	999 512 500 00	Hose clamp 32 - 50		3	
19	999 512 390 00	Hose clamp 60 - 80		1	
20	999 512 554 00	Hose clamp 12 - 20		3	
21	944 106 251 00	Water hose		1	
22	999 512 392 00	Hose clamp 23 - 35		3	
23	999 512 346 00	Hose clamp 16 - 25		1	
24	900 187 111 02	Combination screw 6,3 X 12		4	
(24)	900 187 111 01	Combination screw 6,3 X 12		4	
25	944 106 353 00	Screw plug	-86	1	
25	944 106 353 01	Screw plug	87-	1	
26	944 106 354 00	Sealing ring		1	
27	944 106 927 00	Screw socket		1	
28	944 106 928 00	Sealing ring		1	
29	944 106 355 00	Nut	AUT.	2	
30	999 511 130 02	Pipe clamp 44/20		1	
31	999 513 010 40	Tie-wrap 9 X 140		2	
32	951 106 249 01	Water hose		1	
33	999 511 118 02	Pipe clamp B 15		1	
33	999 511 118 01	Pipe clamp		1	

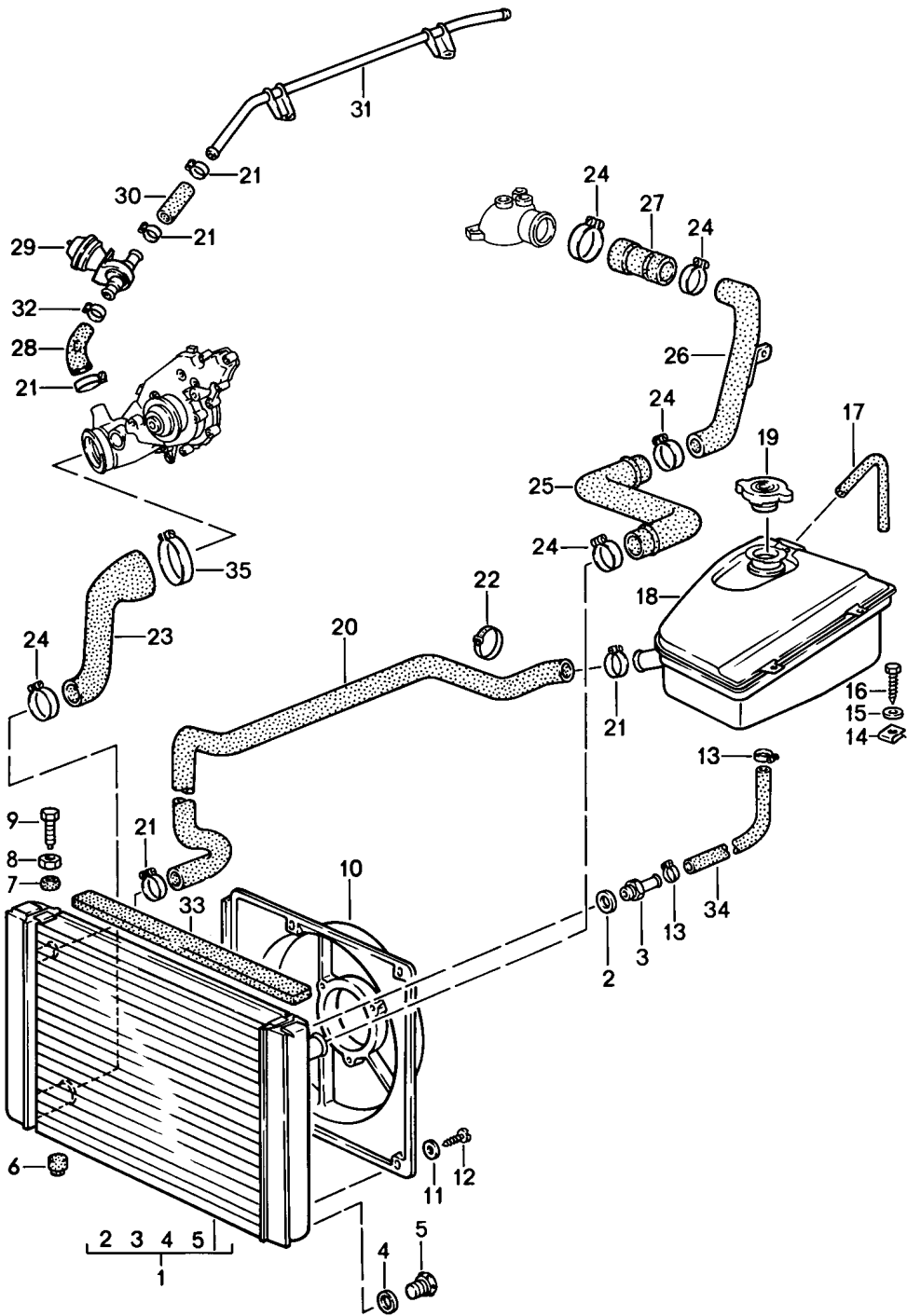
Model: 944 85

Model life 1985>>1988

Pos	Part Number	Description	Remark	Qty	Model
34	900 046 004 02	B 15 Hexagon-head bolt		2	
35	944 556 837 00	Sealing rubber		1	

Model: 944 85

Model life 1985>>1988

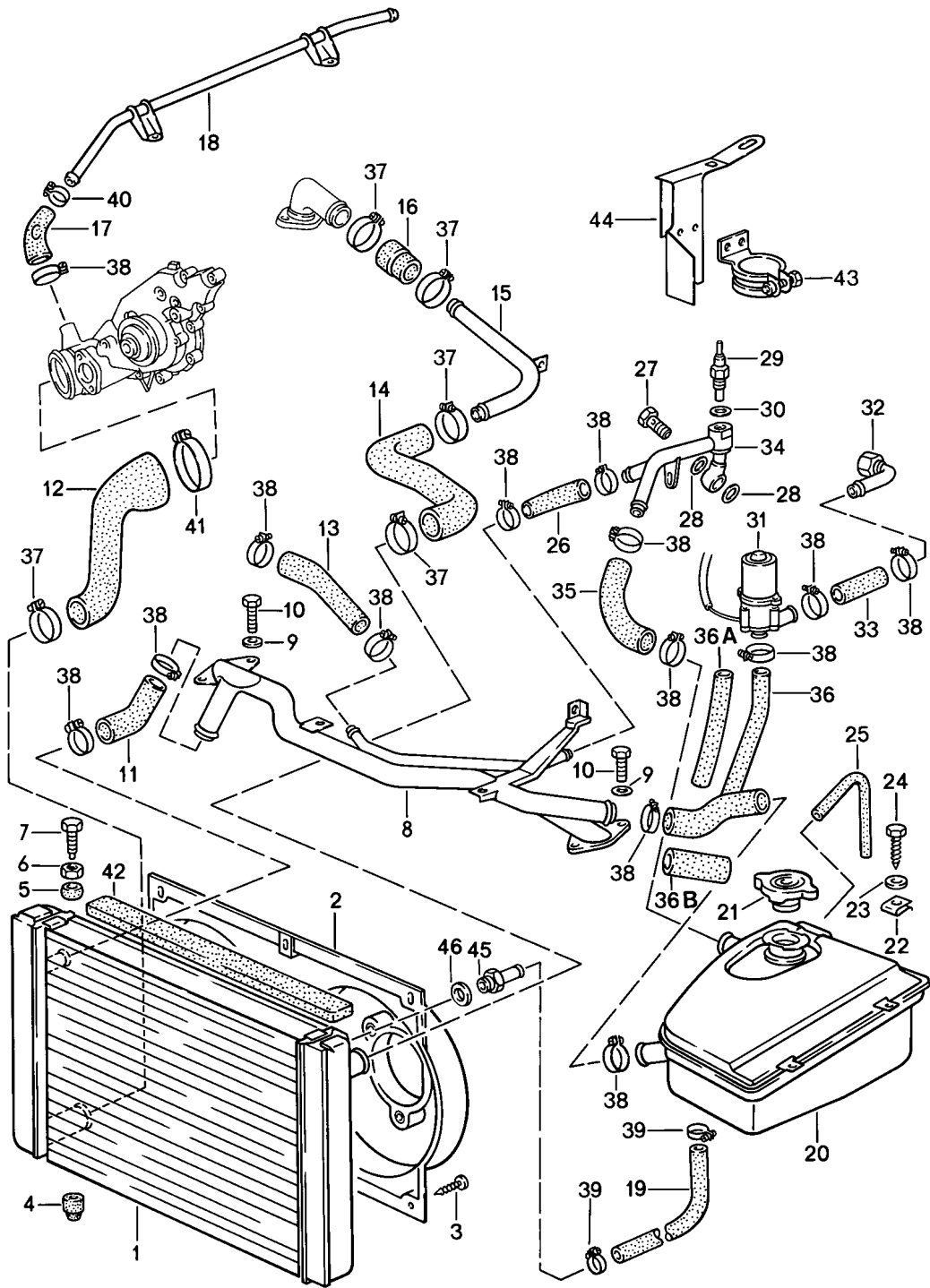


Model: 944 85 Model life 1985>>1988

Pos	Part Number	Description	Remark	Qty	Model
		Water cooling			M44.40
1	944 106 031 03	Radiator		1	
1	944 106 031 04	Radiator		1	
2	944 106 928 00	Sealing ring		1	
3	944 106 927 00	Screw socket		1	
4		Sealing ring		1	
5	944 106 353 01	Screw plug		1	
6	951 106 107 00	Rubber mounting		2	
7	951 106 053 00	Rubber mounting		2	
8	900 076 025 02	Hexagon nut		2	
8	900 076 064 02	Hexagon nut		2	
9	900 046 004 02	Hexagon-head bolt		2	
10	944 106 141 02	Airscoop		1	
(10)	944 106 143 02	Airscoop for Air conditioner		1	
11	N 011 524 7	Washer		6	
11	N 011 524 27	Washer		6	
12	900 187 111 02	Combination screw 6,3 X 12		6	
12	900 187 111 01	Combination screw 6,3 X 12		6	
13	999 512 554 00	Hose clamp 12 - 20		2	
14	477 955 461	Speed nut		2	
15	N 011 524 7	Washer A 6,4		6	
15	N 011 524 27	Washer A 6,4		6	
16	N 090 172 1	Combination screw 6,3 X 19		2	
16	N 090 172 6	Combination screw 6,3 X 19		2	
17	944 106 251 00	Water hose		1	
18	944 106 125 06	Expansion tank		1	
19	944 106 257 00	Lid		1	
20	944 106 245 02	Water hose		1	
21	999 512 392 00	Hose clamp		5	
22	999 513 003 40	Tie-wrap		4	
23	944 106 237 07	Water hose		1	
24	999 512 500 00	Hose clamp 32 - 50		5	
25	944 106 239 06	Water hose		1	
26	944 106 091 01	Cooling water tube		1	
27	944 106 235 01	Water hose		1	
28	944 106 241 04	Water hose		1	
29	928 574 573 03	Disc valve		1	
29	928 574 573 04	Disc valve		1	
-	986 307 507 00	Use also: Cap		1	
30	944 106 253 01	Water hose		1	
31	944 106 243 07	Cooling water tube		1	
32	999 512 391 00	Hose clamp 16 - 25		1	
33	944 556 837 00	Sealing rubber		1	
34	951 106 249 01	Water hose		1	
35	999 512 390 00	Hose clamp 60 - 80		1	

Model: 944 85

Model life 1985>>1988



Model: 944 85 Model life 1985>>1988

Pos	Part Number	Description	Remark	Qty	Model
		Water cooling			M44.50/51 M44.52
1	951 106 031 50	Radiator		1	
-	944 106 353 01	Screw plug		1	
2	951 106 143 00	Airscoop		1	
3	900 187 111 02	Combination screw		6	
3	900 187 111 01	Combination screw		6	
4	951 106 107 00	Rubber mounting		2	
5	951 106 053 00	Rubber mounting		2	
6	900 076 025 02	Hexagon nut M 8		2	
6	900 076 064 02	Hexagon nut M 8		2	
7	900 046 004 02	Hexagon-head bolt AM 8 X 40		2	
8	951 110 171 02	Bracket	-87	1	M44.50/51
8	951 110 171 03	Bracket	88-	1	M44.52
9	N 011 666 7	Washer B 6,4		4	
10	900 075 014 02	Hexagon-head bolt M 6 X 18		4	
10	900 075 014 03	Hexagon-head bolt M 6 X 18		4	
11	951 106 245 03	Water hose		1	
12	951 106 237 02	Water hose		1	
13	951 106 321 02	Water hose		1	
14	951 106 241 01	Water hose		1	
15	951 106 091 00	Water tube		1	
16	951 106 239 01	Water hose		1	
17	944 106 241 03	Water hose		1	
18	944 106 243 03	Water tube		1	
19	951 106 249 01	Water hose		1	
20	951 106 025 02	Expansion tank		1	
21	944 106 257 00	Lid		1	
22	477 955 461	Speed nut		2	
23	N 011 524 7	Washer A 6,4		2	
23	N 011 524 27	Washer A 6,4		2	
24	N 090 172 1	Combination screw 6,3 X 19		2	
24	N 090 172 6	Combination screw 6,3 X 19		2	
25	944 106 251 00	Water hose		1	
26	951 106 322 02	Water hose		1	
27	900 175 005 02	Banjo bolt M 16 X 1,5		1	
28	N 013 848 5	Sealing ring A 16 X 22		2	
29	930 606 118 00	Temperature switch		1	
30	900 123 007 30	Sealing ring		1	
31	951 606 130 01	Water pump		1	
32	951 106 055 00	Line		1	
33	951 106 248 00	Water hose		1	
34	951 106 056 05	Water tube M >> 45G 03689		1	
34	951 106 056 08	Water tube M 45G 03690 >>	-87	1	
34		Water tube	88	1	
35	951 106 251 02	Water hose		1	
36	951 106 247 02	Water hose	-87	1	M44.50/51
36A	951 106 247 04	Water hose	88-	1	M44.52
36B	951 106 243 01	Water hose	88-	1	M44.52

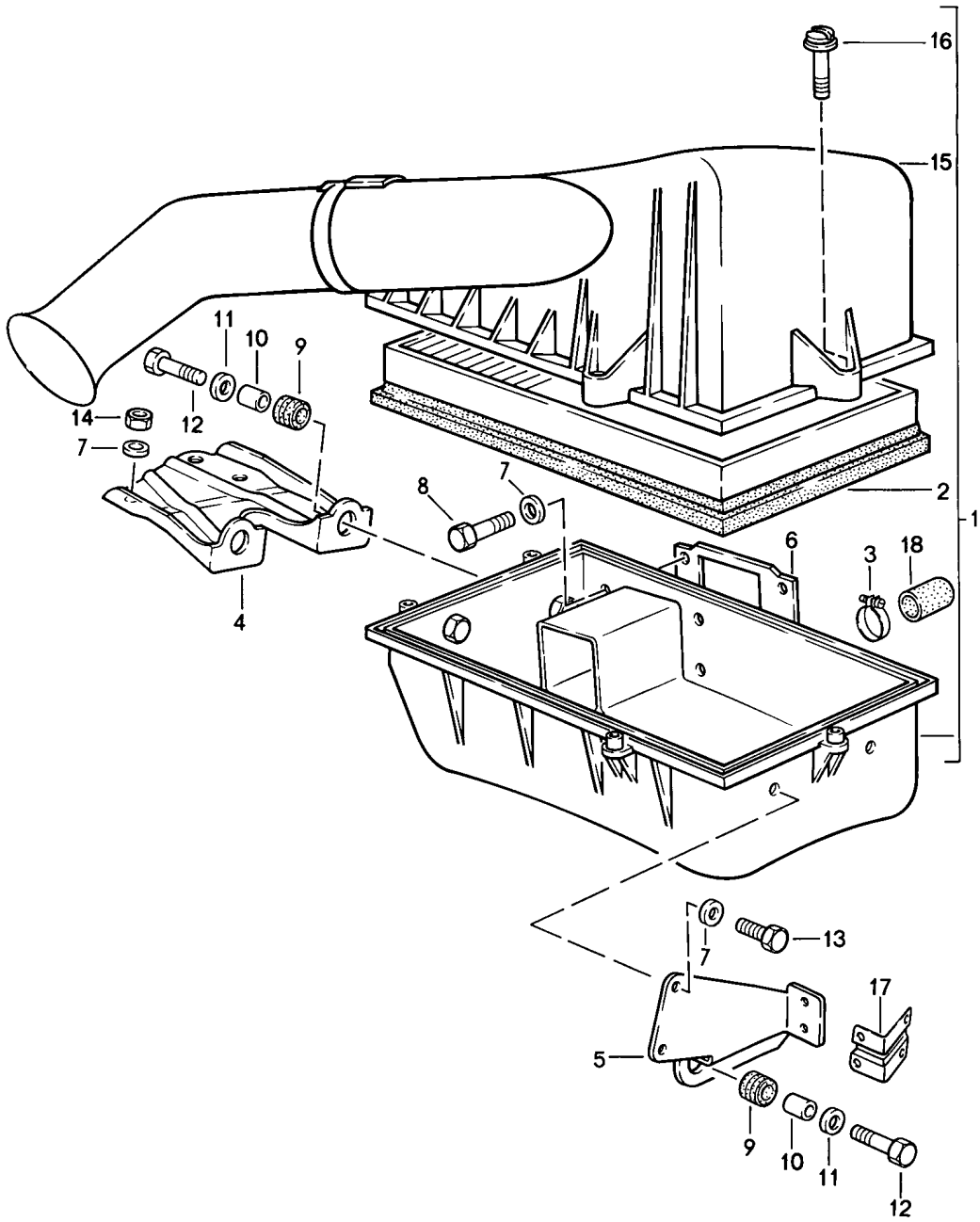
Model: 944 85

Model life 1985>>1988

Pos	Part Number	Description	Remark	Qty	Model
37	999 512 500 00	Hose clamp 32 - 50		1	
38	999 512 392 00	Hose clamp SGT 20 - 32/13		X	
40	999 512 346 00	Hose clamp 16 - 25		X	
41	999 512 390 00	Hose clamp SB 60 - 80		1	
42	944 556 837 00	Sealing rubber		1	
43	951 106 325 00	Clamp for Water pump		1	
44	951 106 323 00	Support for Water pump		1	
45	944 106 927 00	Screw socket		1	
46	944 106 928 00	Sealing ring A 18 X 12		1	

Model: 944 85

Model life 1985>>1988



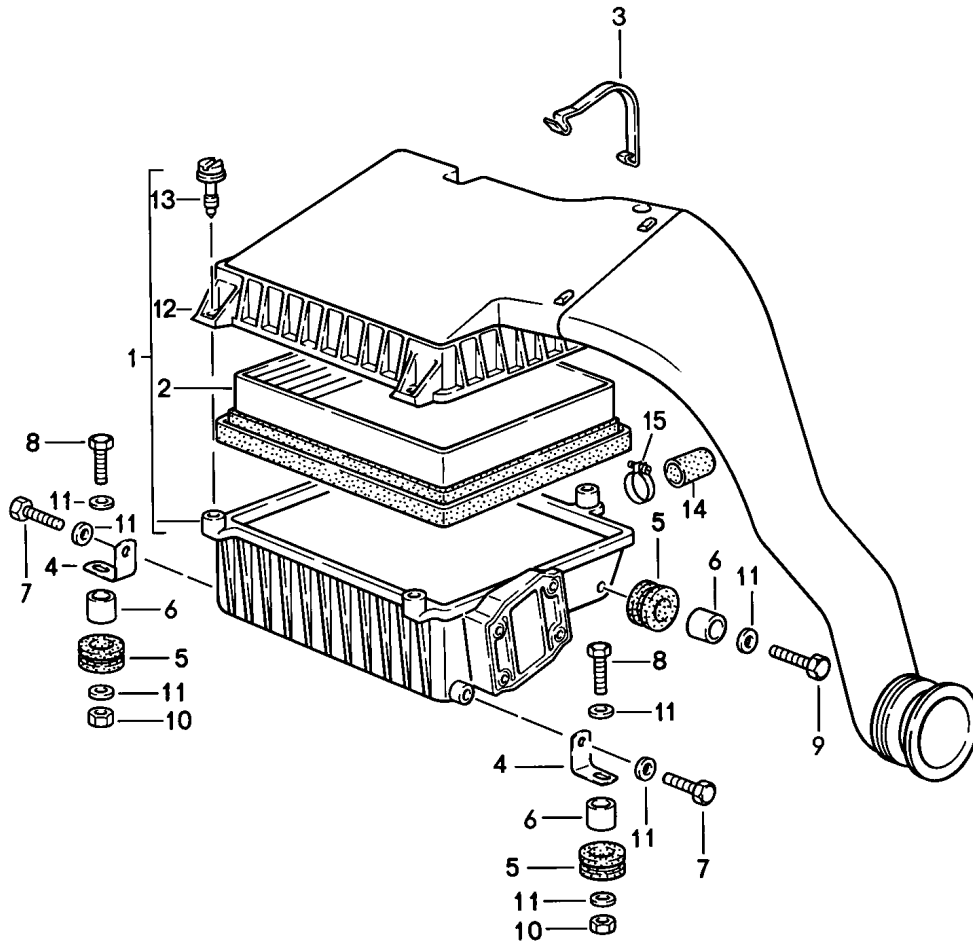
Model: 944 85

Model life 1985>>1988

Pos	Part Number	Description	Remark	Qty	Model
		Air cleaner system			M44.05/06/07 M44.08/09 M44.10
1	944 110 012 07	Air cleaner		1	
2	944 110 186 02	Air cleaner cartridge		1	
2A	944 110 195 00	Bellows		1	
3	999 512 252 02	Hose clamp		1	
4	944 110 067 01	Support	/V	1	
5	944 110 155 01	Support	/H	1	
6	944 110 353 00	Gasket		1	
7	N 011 524 7	Washer A 6,4		11	
7	N 011 524 27	Washer A 6,4		11	
8	900 074 151 02	Hexagon-head bolt M 6 X 38		X	
9	056 129 669 B	Grommet		4	
10	052 109 135	Spacer sleeve		4	
11	N 011 612 3	Washer 6,6		4	
11	N 011 612 C	Washer 6,6		4	
12	900 075 014 02	Hexagon-head bolt M 6 X 18		4	
12	900 075 014 03	Hexagon-head bolt M 6 X 18		4	
13	N 010 210 13	Hexagon-head bolt M 6 X 10		4	
14	900 076 010 02	Nut M 6		3	
14	900 076 010 0B	Nut M 6		3	
15	944 110 221 00	Air cleaner cover without POS. 16 Connection piece Long		1	
15	944 110 221 01	Air cleaner cover without POS. 16 Connection piece Short		1	
16	944 110 225 00	Combination screw		5	
17	944 110 255 00	Support		1	
18	944 106 103 03	Cap		1	

Model: 944 85

Model life 1985>>1988



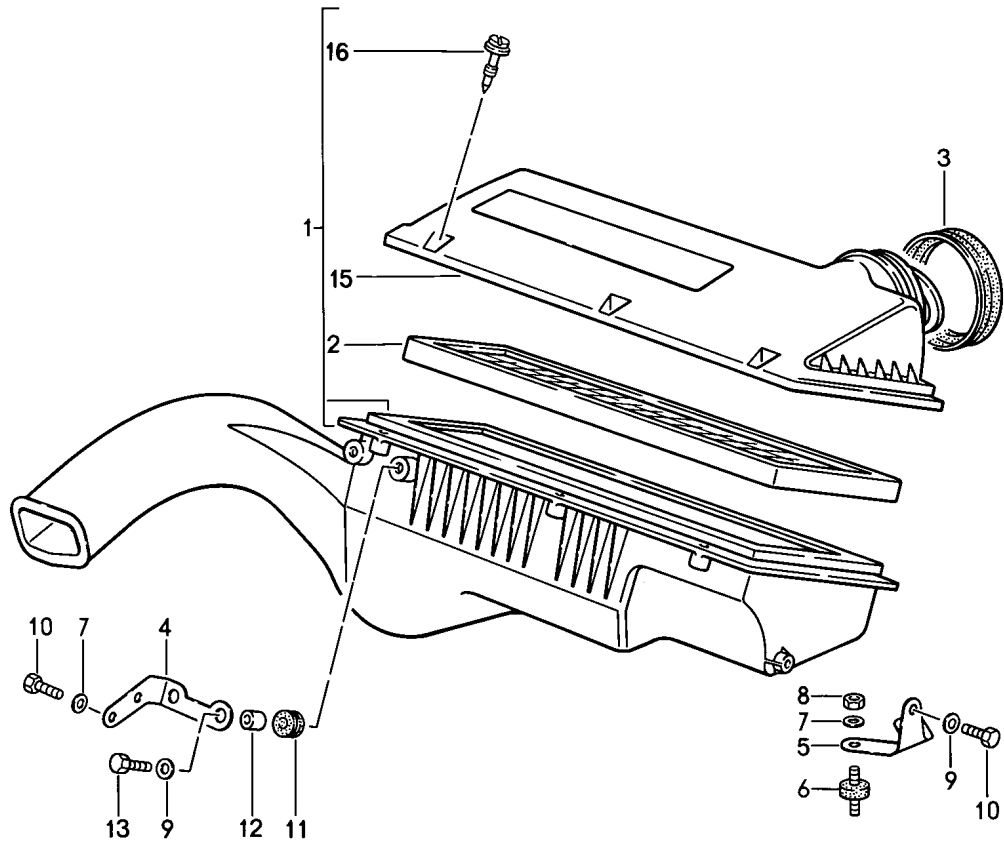
Model: 944 85

Model life 1985>>1988

Pos	Part Number	Description	Remark	Qty	Model
		Air cleaner system			M44.50/51 M44.52
1	951 110 021 02	Air cleaner		1	
2	951 110 121 01	Air cleaner cartridge		1	
3	951 110 421 01	Clip		1	M44.50
3	951 110 421 02	Clip		1	M44.51
4	951 110 169 02	Support		2	
5	951 110 173 00	Rubber sleeve		3	
6	951 110 175 00	Sleeve		3	
7	N 010 210 13	Hexagon-head bolt M 6 X 10		2	
8	N 010 217 9	Hexagon-head bolt M 6 X 20		2	
9	900 075 057 02	Hexagon-head bolt M 6 X 16		1	
9	900 075 057 03	Hexagon-head bolt M 6 X 16		1	
10	900 076 010 02	Nut M 6		2	
10	900 076 010 0B	Nut M 6		2	
11	N 011 524 7	Washer A 6,4		7	
11	N 011 524 27	Washer A 6,4		7	
12	951 110 021 50	Air cleaner cover		1	
13	944 110 225 01	Combination screw		X	
14	944 106 103 00	Cap		1	
15	999 512 252 02	Hose clamp		1	
-	944 110 195 00	Bellows		1	

Model: 944 85

Model life 1985>>1988



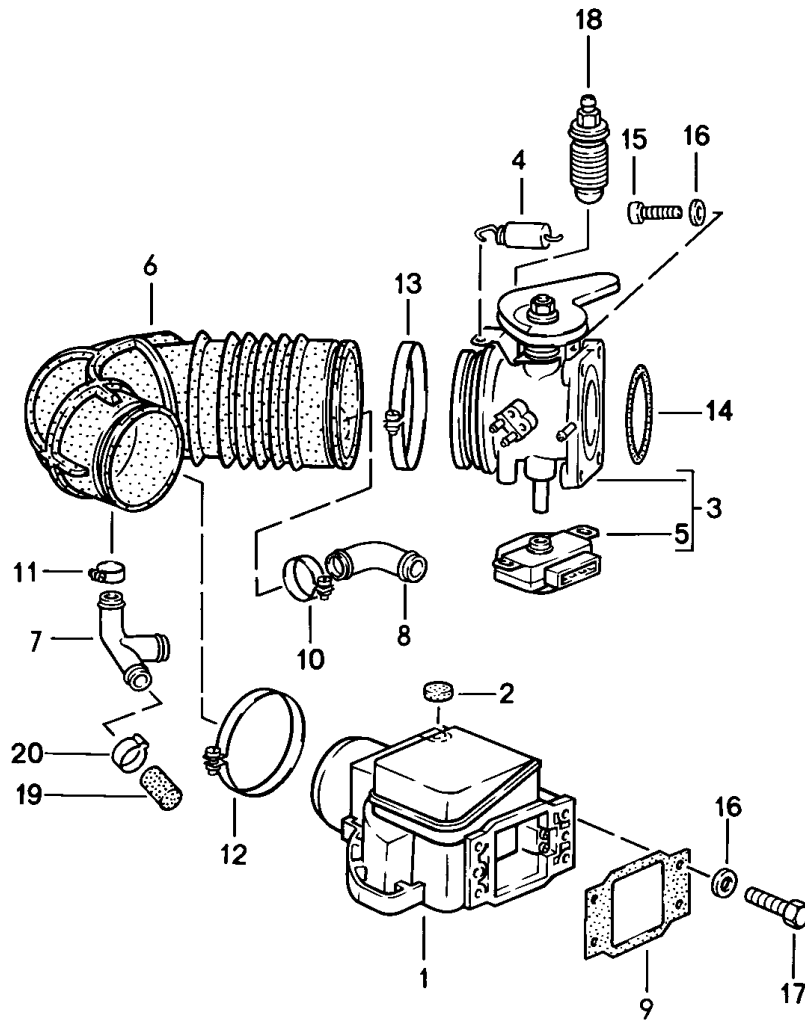
Model: 944 85

Model life 1985>>1988

Pos	Part Number	Description	Remark	Qty	Model
		Air cleaner system			M44.40
1	944 110 014 00	Air cleaner		1	
2	944 110 188 00	Air cleaner cartridge		1	
3	944 110 014 60	Connecting hose		1	
4	944 110 158 00	Retaining bracket		1	
5	944 110 149 00	Retaining bracket		1	
6	930 110 579 01	Bonded rubber buffer		2	
6	999 703 265 00	Bonded rubber buffer		2	
7	N 011 524 7	Washer		4	
7	N 011 524 27	Washer		4	
8	900 076 010 02	Nut		2	
8	900 076 010 0B	Nut		2	
9	N 011 612 3	Washer		3	
9	N 011 612 C	Washer		3	
10	999 072 005 09	Hexagon nut		3	
10	999 072 005 01	Hexagon nut		3	
11	056 129 669 B	Grommet		2	
12	052 109 135	Spacer sleeve		2	
13	N 010 217 9	Hexagon-head bolt		2	
15	944 110 014 50	Air cleaner cover		1	
16	944 110 225 01	Combination screw		X	
-	944 106 103 03	Cap		1	

Model: 944 85

Model life 1985>>1988

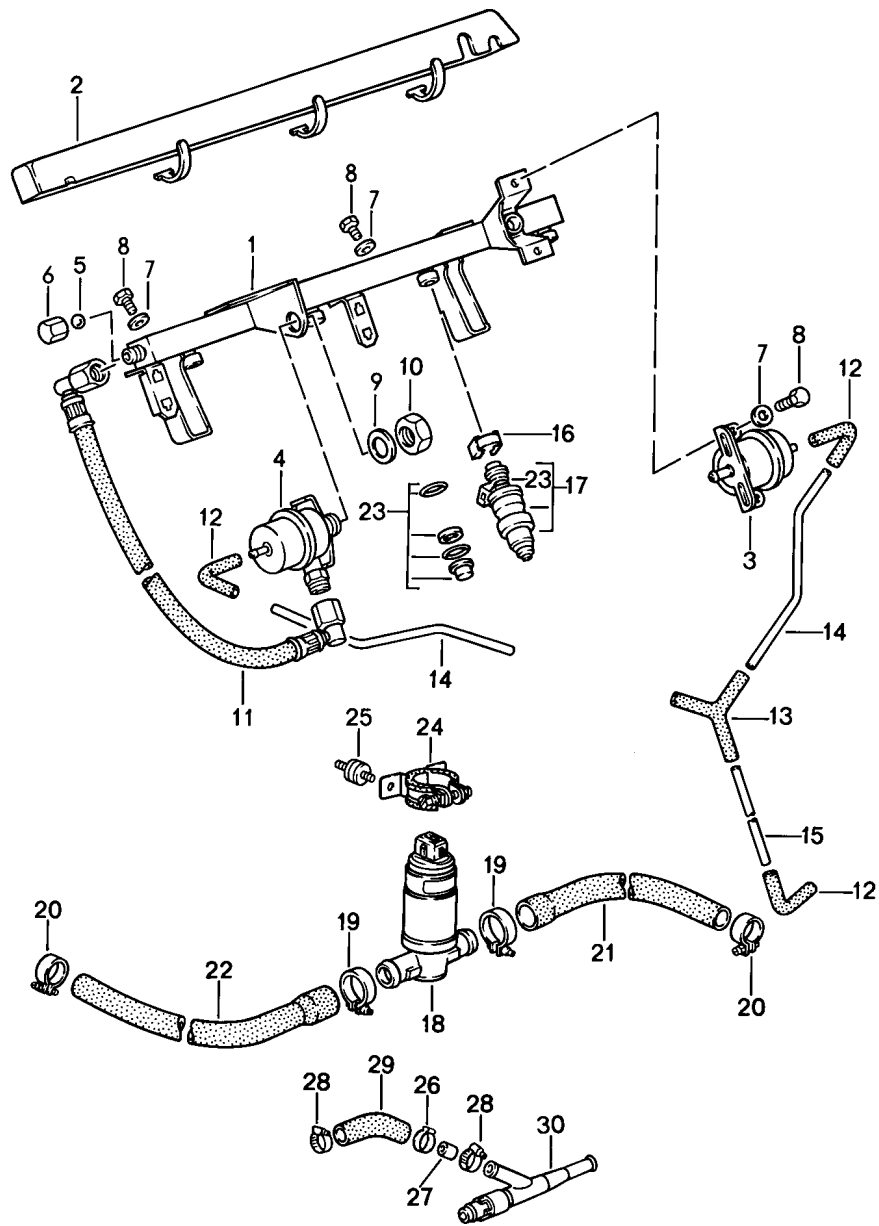


Model: 944 85 Model life 1985>>1988

Pos	Part Number	Description	Remark	Qty	Model
		L-jetronic			M44.05/06/07
		1			M44.08/09
					M44.10
1	944 606 121 01	Mass air flow meter		1	
1	944 606 121 AX	Mass air flow meter		1	
2	928 606 221 00	Stopper		1	
3	944 110 094 03	Flap-Nozzle		1	M44.07/09
4	944 110 071 00	Return spring with Damping piece		1	
(4)	944 110 271 00	Return spring without Damping piece		1	
4	944 110 071 01	Return spring with Damping piece	AUT.	1	
(4)	944 110 271 01	Return spring without Damping piece	AUT.	1	
5	944 606 113 01	Throttle-valve switch		1	
6	944 110 358 04	Air guide		1	
7	944 110 363 02	Connecting piece		1	
(8)	944 107 367 01	Connecting piece		1	M44.07/08
					M44.09/10
9	944 110 353 00	Gasket		1	
10	999 512 552 00	Hose clamp 25/9		1	
10	999 512 552 01	Hose clamp 25/9		1	
11	999 512 045 02	Hose clamp 22/9		1	
12	999 512 235 02	Hose clamp 77/9		1	
13	999 512 302 02	Hose clamp 85/9		1	
13	PCG 512 302 02	Hose clamp 85/9		1	
14	999 701 468 40	Round seal 67,5 X 4		1	
15	900 067 089 02	Pan-head screw M 6 X 25		4	
15	900 067 089 01	Pan-head screw M 6 X 25		4	
16	N 011 524 7	Washer A 6,4		8	
16	N 011 524 27	Washer A 6,4		8	
17	N 010 347 5	Hexagon-head bolt M 6 X 35		4	
18	930 110 919 00	Throttle screw		1	
19	930 110 256 00	Stopper		1	M44.05/07
					M44.09
		M 41H 01303 >>			M44.05
		M 43H 13065 >>			M44.07
20	999 512 457 00	Clamp		1	M44.05/07
					M44.09
		M 41H 01303 >>			M44.05
		M 43H 13065 >>			M44.07
-	930 110 520 00	Cap		1	

Model: 944 85

Model life 1985>>1988



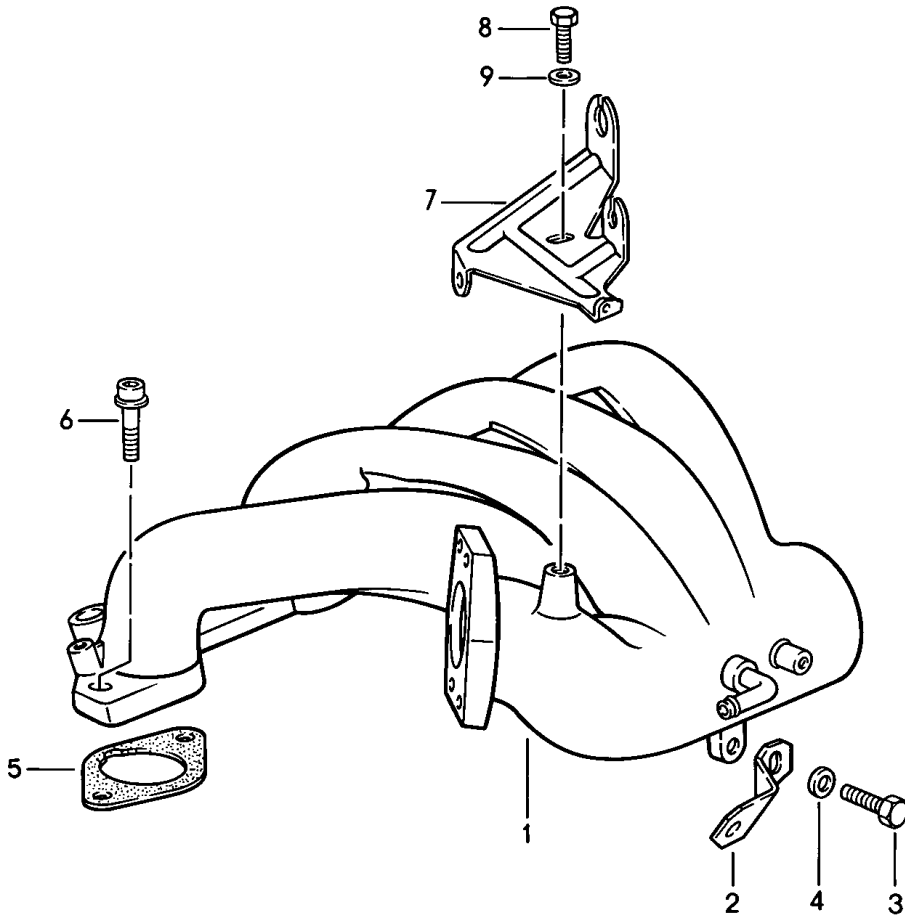
Model: 944 85

Model life 1985>>1988

Pos	Part Number	Description	Remark	Qty	Model
		L-jetronic			M44.05/06/07
		2			M44.08/09
					M44.10
1	944 110 080 20	Fuel collection pipe		1	
2	944 607 081 03	Cover		1	
3	944 110 198 03	Pressure regulator		1	
4	944 110 201 03	Diaphragm damper		1	
5	900 108 022 00	Ball		1	
6	928 110 475 01	Cap nut		1	
6	928 110 475 03	Cap nut		1	
6	928 110 475 04	Cap nut		1	
7	N 011 524 7	Washer		4	
7	N 011 524 27	Washer		4	
8	999 072 005 09	Hexagon nut M 6 X 12		4	
8	999 072 005 01	Hexagon nut M 6 X 12		4	
9	900 031 013 02	Washer	85	1	
9	N 012 238 5	Spring washer	86-	1	
10	900 034 013 02	Hexagon nut M 16 X 1,5		1	
10	900 034 013 01	Hexagon nut M 16 X 1,5		1	
11	944 110 413 02	Fuel line		1	
12	928 574 717 02	Moulded hose		X	
13	928 573 727 02	Distributing piece		X	
-	N 020 139 11	Pipe 4 X 1		*	
14		180 MM		2	
15		380 MM		1	
16	930 110 388 00	Retaining clip		4	
16	930 110 388 01	Retaining clip		4	
17	930 606 120 00	Injector valve		4	
18	930 606 161 00	Idle-speed adjuster		1	
19	999 512 326 00	Hose clamp SGT 23 - 35 / 9 W 2		2	
19	PCG 512 326 00	Hose clamp SGT 23 - 35 / 9 W 2		2	
20	999 512 346 00	Hose clamp SGT 16 - 25 / 9 W 2		2	
21	944 110 214 01	Hose		1	
22	944 110 217 00	Hose		1	
23	944 110 901 00	Gasket for Injector valve		4	
24	999 512 395 02	Clamp		1	
25	928 110 191 10	Bonded rubber mounting		2	
25	999 703 264 00	Bonded rubber mounting		2	
26	999 512 457 00	Clamp		1	
27	944 110 241 04	Restrictor		1	
28	999 512 456 00	Clamp		2	
29	944 110 361 02	Moulded hose		1	
30		Venturi tube See group 6/04/00			

Model: 944 85

Model life 1985>>1988



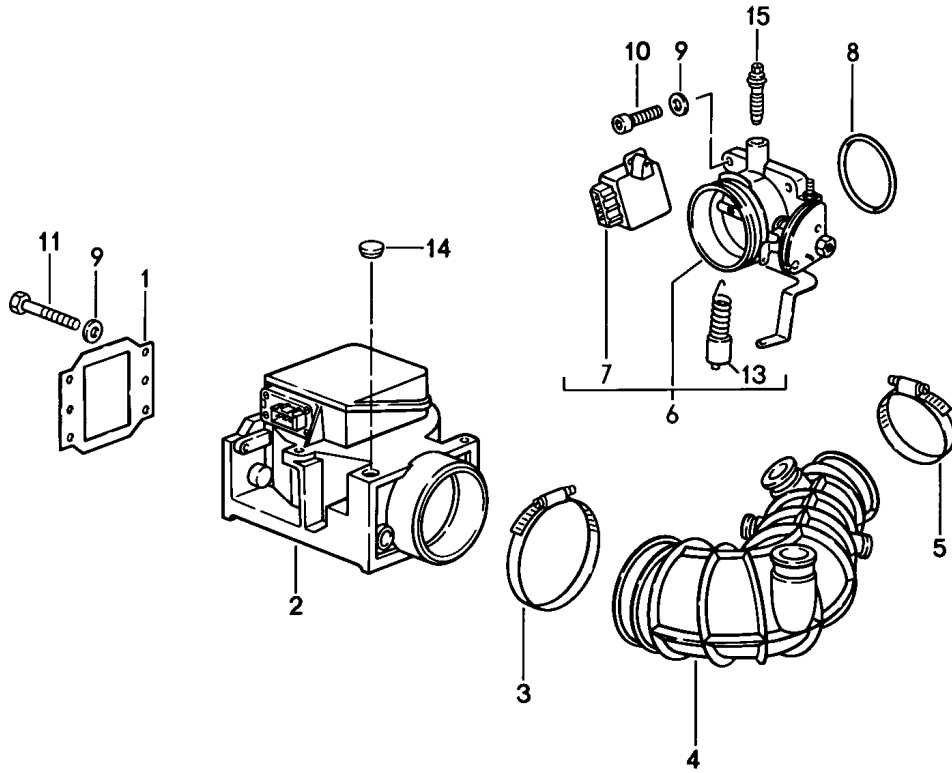
Model: 944 85

Model life 1985>>1988

Pos	Part Number	Description	Remark	Qty	Model
		L-jetronic			M44.05/06/07
		3			M44.08/09
					M44.10
1	944 110 051 09	Intake manifold	-87	1	
1	944 110 052 02	Intake manifold	88-	1	
2	944 110 165 01	Bracket		1	
3	900 075 085 02	Hexagon-head bolt M 8 X 20		1	
4	900 025 007 02	Washer 8,4		9	
4	900 025 007 03	Washer 8,4		9	
5	944 110 163 05	Gasket		4	
5		Gasket without asbestos	(S)	4	
6	900 067 214 02	Pan-head screw M 8 X 35		8	
6	900 067 214 01	Pan-head screw M 8 X 35		8	
7	944 110 161 05	Support		1	
8	900 075 057 02	Hexagon-head bolt M 6 X 16		1	
8	900 075 057 03	Hexagon-head bolt M 6 X 16		1	
9	N 011 666 7	Washer B 6,4		1	

Model: 944 85

Model life 1985>>1988



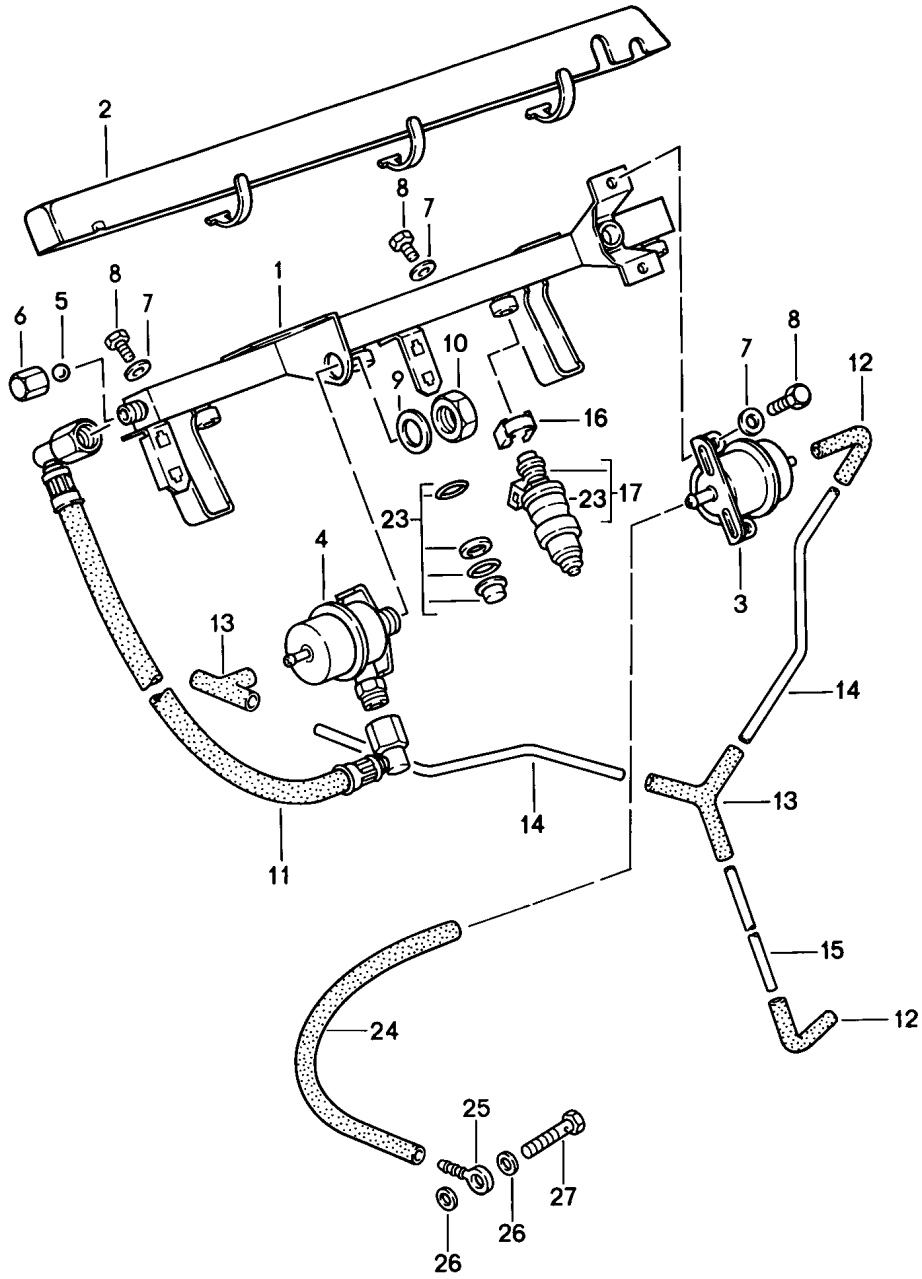
Model: 944 85

Model life 1985>>1988

Pos	Part Number	Description	Remark	Qty	Model
		L-jetronic 1			M44.50/51 M44.52
1	928 110 201 01	Sealing frame		1	
2	951 606 121 01	Mass air flow meter		1	
3	999 512 226 02	Hose clamp		1	
4	951 110 198 02	Air guide		1	
5	999 512 342 02	Hose clamp S 60 / 9 ZY		1	
6	951 110 098 02	Flap-Nozzle		1	
7	951 606 113 00	Throttle-valve switch		1	
8	999 701 331 40	Round seal		1	
9	N 011 524 7	Washer		8	
9	N 011 524 27	Washer		8	
10	N 014 734 1	Pan-head screw M 6 X 22		4	
11	900 075 343 02	Hexagon-head bolt M 6 X 45		4	
13	951 110 098 90	Return spring		1	
14	928 606 221 00	Stopper		1	
15	951 110 919 00	Throttle screw		1	

Model: 944 85

Model life 1985>>1988



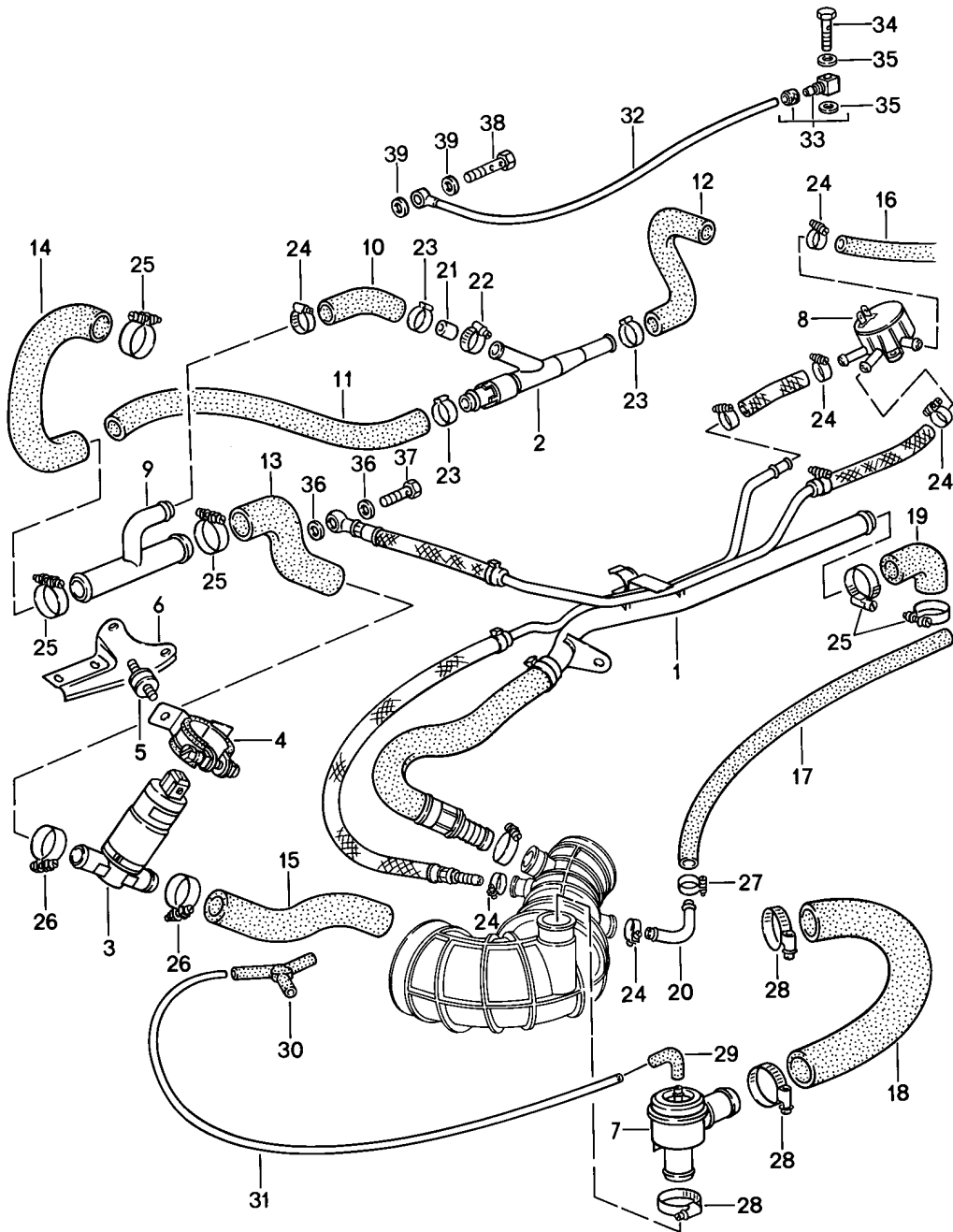
Model: 944 85

Model life 1985>>1988

Pos	Part Number	Description	Remark	Qty	Model
		L-jetronic 2			M44.50/51 M44.52
1	944 110 080 20	Fuel collection pipe		1	
2	944 607 081 03	Cover		1	
3	944 110 198 03	Pressure regulator		1	
4	944 110 201 03	Diaphragm damper		1	
5	900 108 022 00	Ball		1	
6	928 110 475 01	Cap nut		1	
6	928 110 475 03	Cap nut		1	
6	928 110 475 04	Cap nut		1	
7	N 011 524 7	Washer		4	
7	N 011 524 27	Washer		4	
8	999 072 005 09	Hexagon nut M 6 X 12		4	
8	999 072 005 01	Hexagon nut M 6 X 12		4	
9	N 012 238 5	Spring washer		1	
10	900 034 013 02	Hexagon nut M 16 X 1,5		1	
10	900 034 013 01	Hexagon nut M 16 X 1,5		1	
11	944 110 413 02	Fuel line		1	
12	928 574 717 02	Moulded hose		X	
13	928 573 727 02	Distributing piece		X	
-	N 020 139 11	Pipe 4 X 1		*	
14		180 MM		2	
15		380 MM		1	
16	930 110 388 00	Retaining clip		4	
16	930 110 388 01	Retaining clip		4	
17	951 606 110 00	Injector valve SGT 23 - 35 / 9W2		4	
23	944 110 901 00	Gasket for Injector valve		4	
24	951 110 323 00	Hose		1	M44.52
25	999 230 113 02	Nipple		1	M44.52
26	900 123 050 30	Sealing ring		2	M44.52
27	911 110 899 00	Banjo bolt		1	M44.52

Model: 944 85

Model life 1985>>1988



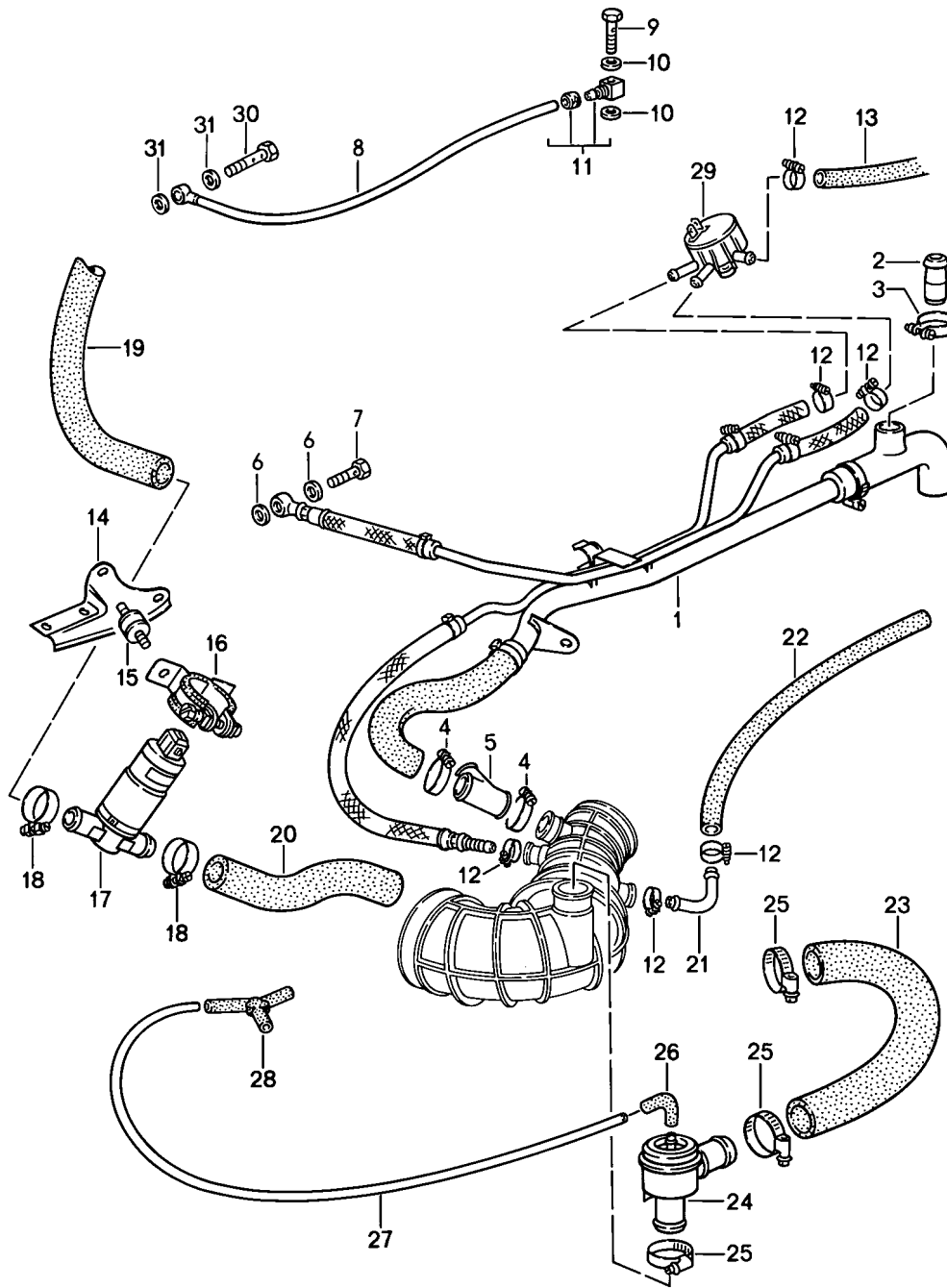
Model: 944 85

Model life 1985>>1988

Pos	Part Number	Description	Remark	Qty	Model
		L-jetronic 3	-87		M44.50/51
1	951 110 061 03	Control line		1	
2	067 133 753 A	Venturi tube		1	
2	067 133 753 B	Venturi tube		1	
3	930 606 161 00	Idle-speed adjuster		1	
4	999 512 395 02	Clamp		1	
5	928 110 191 10	Bonded rubber mounting		2	
5	999 703 264 00	Bonded rubber mounting		2	
6	951 110 597 01	Retaining bracket		1	
7	993 110 337 50	Shut-off valve		1	
7	993 110 337 51	Shut-off valve		1	
8	951 606 117 00	Cycle valve		1	
9	951 110 263 00	Connecting piece		1	
10	951 110 265 00	Hose		1	
11	951 110 213 00	Moulded hose		1	
11	951 110 213 01	Moulded hose		1	
12	951 110 211 01	Vacuum hose		1	
13	951 110 219 01	Hose		1	
14	951 110 215 03	Hose		1	
15	951 110 217 01	Hose		1	
16	951 123 331 02	Hose		1	
17	999 181 152 50	Fuel hose 600 MM		*	
18	951 110 511 00	Hose		1	
19	931 110 183 01	Moulded hose		1	
20	951 110 190 00	Connecting piece		1	
21	944 110 241 04	Restrictor		1	
22	999 512 346 02	Hose clamp		1	
22	999 512 676 00	Hose clamp 16 - 25/9		1	
23	999 512 457 00	Clamp 18,2 - 21,7		3	
24	999 512 301 02	Hose clamp 12 - 22/9		6	
24	PCG 512 301 02	Hose clamp 12 - 22/9		6	
25	999 512 374 02	Hose clamp 20 - 32/9		4	
26	999 512 421 02	Hose clamp 23 - 35/9		2	
27	999 512 160 02	Hose clamp 13/9		1	
27	PCG 512 160 02	Hose clamp 13/9		1	
28	999 512 356 02	Hose clamp 25 - 40/9		3	
29	928 574 717 02	Moulded hose		1	
30	928 573 727 02	Distributing piece		1	
-	N 020 139 11	Pipe 4 X 1 550 MM		*	
31				1	
32	944 618 810 00	Pressure line Control unit		1	
33	959 618 117 00	Ring piece		1	
33	959 618 117 01	Ring piece		1	
34	959 618 115 00	Banjo bolt		1	
35	959 618 116 00	Sealing ring		2	
35	959 618 116 01	Sealing ring		2	
36	900 123 043 30	Sealing ring		2	
37	N 021 071 2	Banjo bolt		1	
38	N 900 887 01	Banjo bolt		1	
39	900 123 115 30	Sealing ring		3	

Model: 944 85

Model life 1985>>1988

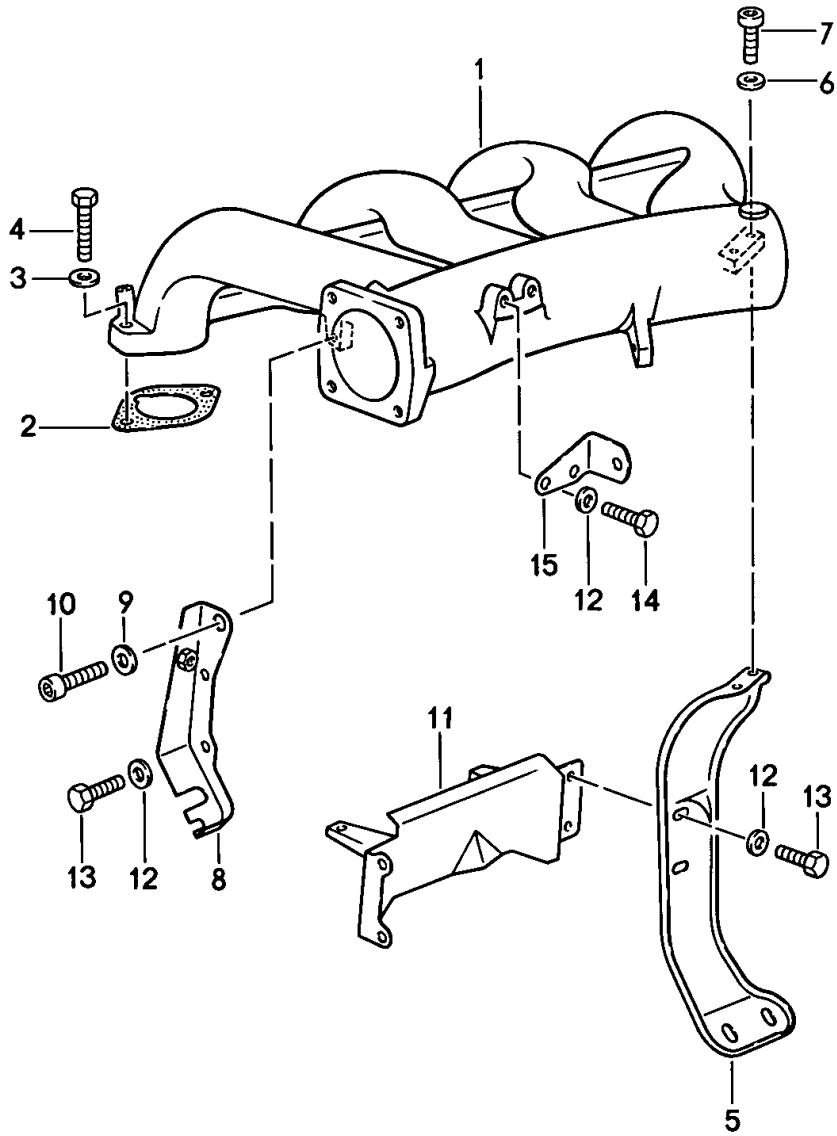


Model: 944 85 Model life 1985>>1988

Pos	Part Number	Description	Remark	Qty	Model
		L-jetronic 3	88-		M44.51/52
1	951 110 061 04	Control line		1	
2	944 107 324 00	Valve		1	
3	999 512 457 00	Clamp		1	
4	999 512 346 02	Hose clamp		2	
4	999 512 676 00	Hose clamp		2	
5	951 110 225 01	Pipe		1	
6	900 123 043 30	Sealing ring		2	
7	N 021 071 2	Banjo bolt		1	
8	944 618 810 00	Pressure line Control unit		1	
9	959 618 115 00	Banjo bolt		1	
10	959 618 116 00	Sealing ring		2	
10	959 618 116 01	Sealing ring		2	
11	959 618 117 00	Ring piece		1	
11	959 618 117 01	Ring piece		1	
12	999 512 301 02	Hose clamp		6	
12	PCG 512 301 02	Hose clamp		6	
13	951 123 331 02	Hose Wastegate		1	
14	951 110 597 01	Retaining bracket		1	
15	928 110 191 10	Bonded rubber mounting		2	
15	999 703 264 00	Bonded rubber mounting		2	
16	999 512 395 02	Clamp		1	
17	930 606 161 00	Idle-speed adjuster		1	
18	999 512 421 02	Hose clamp		2	
19	951 110 221 00	Hose		1	
20	951 110 217 01	Hose		1	
21	951 110 190 00	Connecting piece		1	
22	999 181 152 50	Fuel hose 600 MM		*	
23	951 110 511 00	Hose		1	
24	993 110 337 50	Shut-off valve		1	
24	993 110 337 51	Shut-off valve		1	
25	999 512 356 02	Hose clamp		3	
26	928 574 717 02	Moulded hose		1	
-	N 020 139 11	Pipe 4 X 1 550 MM		*	
27				1	
28	928 573 727 02	Distributing piece		1	
29	951 606 117 00	Cycle valve		1	
30	N 900 887 01	Banjo bolt		1	
31	900 123 115 30	Sealing ring		3	

Model: 944 85

Model life 1985>>1988

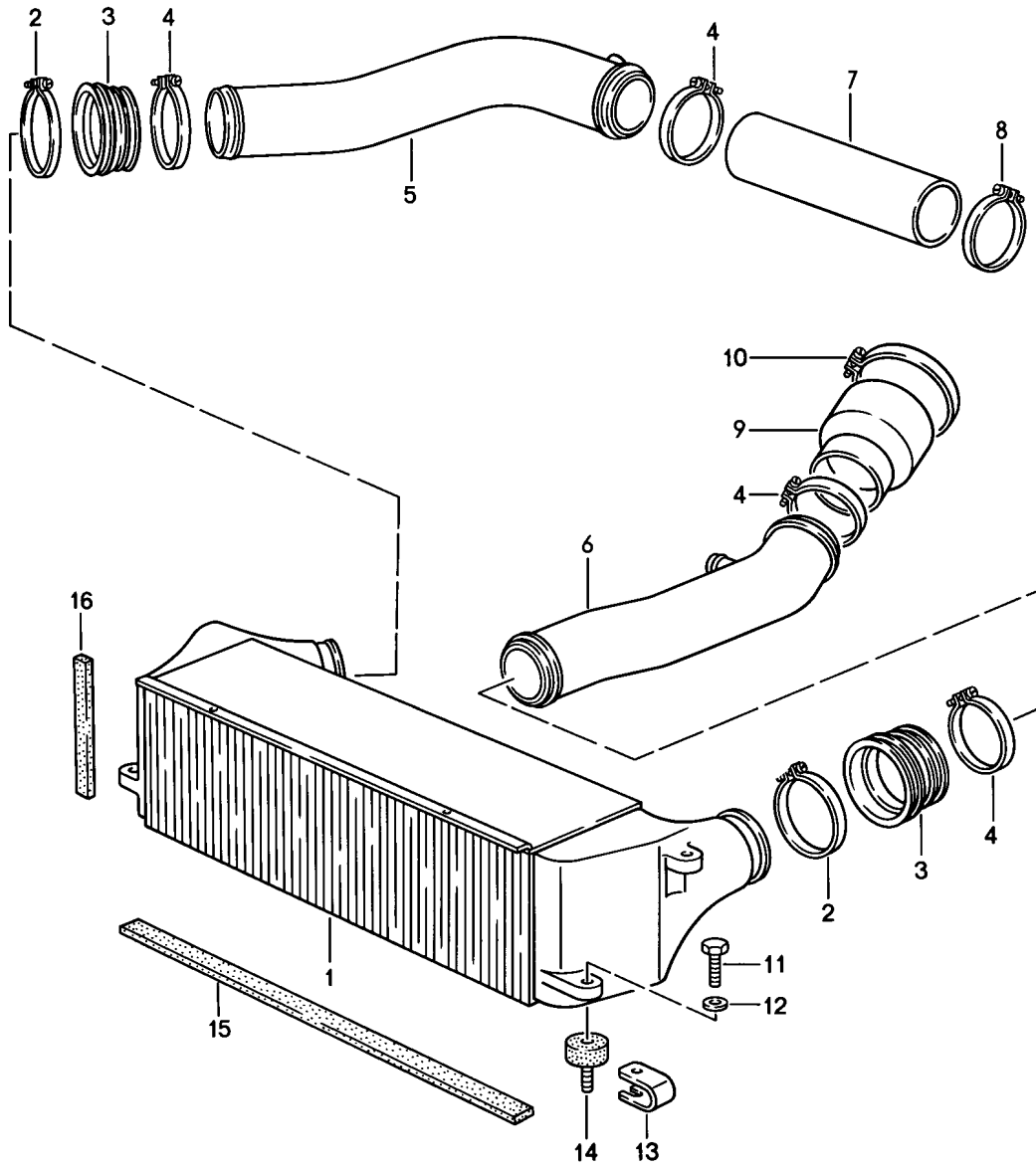


Model: 944 85 Model life 1985>>1988

Pos	Part Number	Description	Remark	Qty	Model
		L-jetronic 4			M44.50/51 M44.52
1	951 110 052 01	Intake manifold		1	M44.50/51
1	951 110 052 03	Intake manifold		1	M44.52
2	944 110 163 05	Gasket		4	
2		Gasket without asbestos	(S)	4	
3	900 025 007 02	Washer		8	
3	900 025 007 03	Washer		8	
4	900 067 214 02	Pan-head screw M 8 X 35		8	
4	900 067 214 01	Pan-head screw M 8 X 35		8	
5	951 110 155 01	Bracket		1	
6	900 031 011 02	Washer		2	
7	900 067 089 02	Pan-head screw M 6 X 22		2	
7	900 067 089 01	Pan-head screw M 6 X 22		2	
(8)	951 110 154 03	Bracket		1	M573
9	900 025 007 02	Washer		1	
9	900 025 007 03	Washer		1	
10	900 075 085 02	Hexagon-head bolt M 8 X 22		1	
11	951 110 315 01	Heat shield		1	
12	N 011 524 7	Washer		6	
12	N 011 524 27	Washer		6	
13	999 072 005 09	Hexagon nut M 6 X 12		4	
13	999 072 005 01	Hexagon nut M 6 X 12		4	
14	900 075 057 02	Hexagon-head bolt M 6 X 15		2	
14	900 075 057 03	Hexagon-head bolt M 6 X 15		2	
15	951 110 162 04	Support		1	

Model: 944 85

Model life 1985>>1988



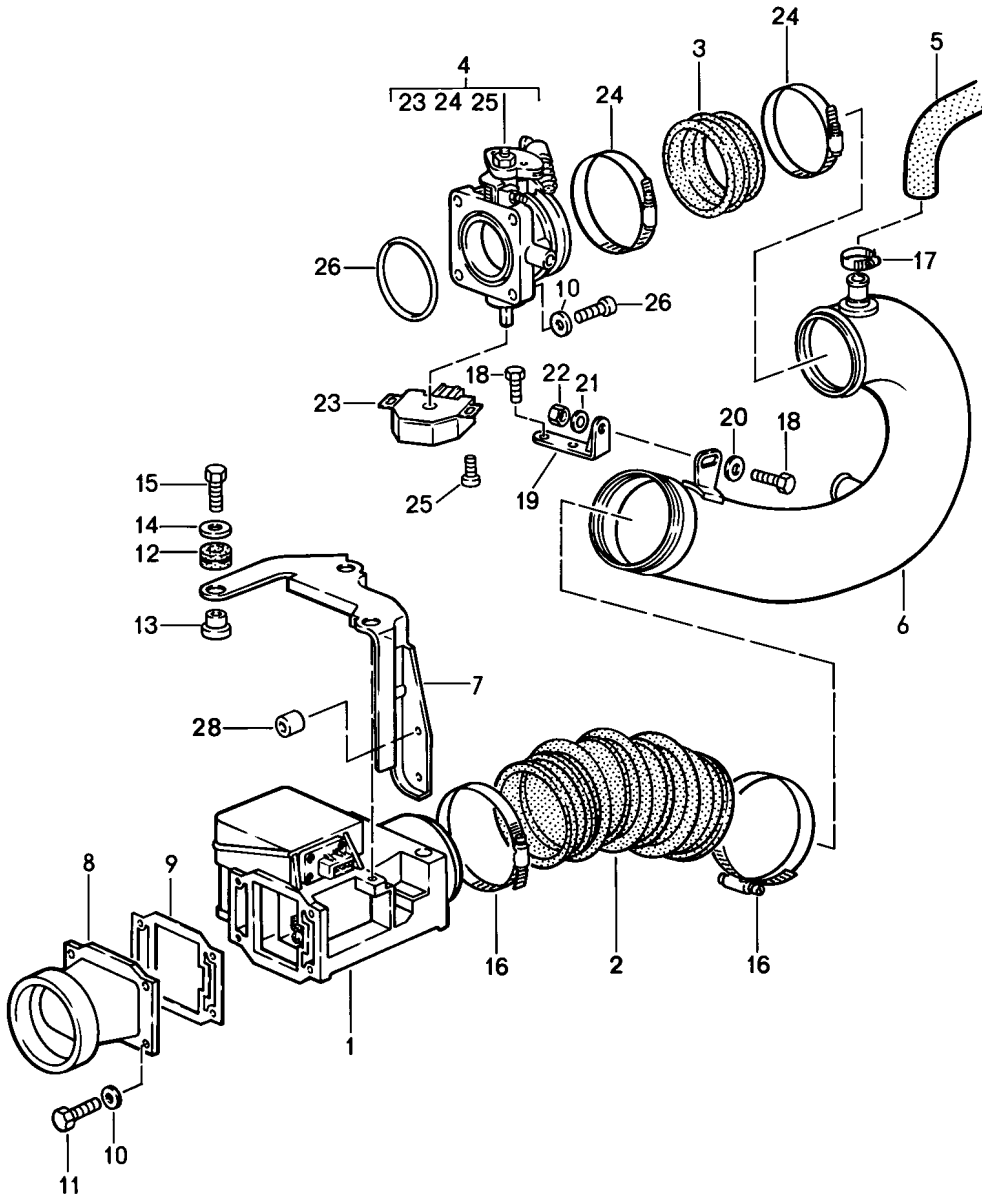
Model: 944 85

Model life 1985>>1988

Pos	Part Number	Description	Remark	Qty	Model
		Charge air cooler			M44.50/51 M44.52
1	951 110 037 00	Charge air cooler		1	
2	999 512 270 02	Hose clamp A 9 X 75		2	
3	951 110 371 01	Hose		2	
4	999 512 040 02	Hose clamp S 63 / 9		4	
4	PCG 512 040 02	Hose clamp S 63 / 9		4	
5	951 110 310 03	Pipe		1	
6	951 110 311 04	Pipe		1	
7	951 110 370 02	Hose		1	
8	999 512 324 02	Hose clamp S 59 / 9		1	
9	951 110 372 01	Hose		1	
10	999 512 006 02	Hose clamp S 78 / 9		1	
10	PCG 512 006 02	Hose clamp S 78 / 9		1	
11	900 075 016 02	Hexagon-head bolt M 6 X 22		4	
11	900 075 016 03	Hexagon-head bolt M 6 X 22		4	
12	N 011 666 7	Washer A 6,4		4	
13	931 110 212 00	Retaining bar		4	
14	999 703 315 00	Bonded rubber buffer		4	
15	999 911 278 40	Sealing strap		1	
16	000 043 205 06	Sealing strap		2	

Model: 944 85

Model life 1985>>1988

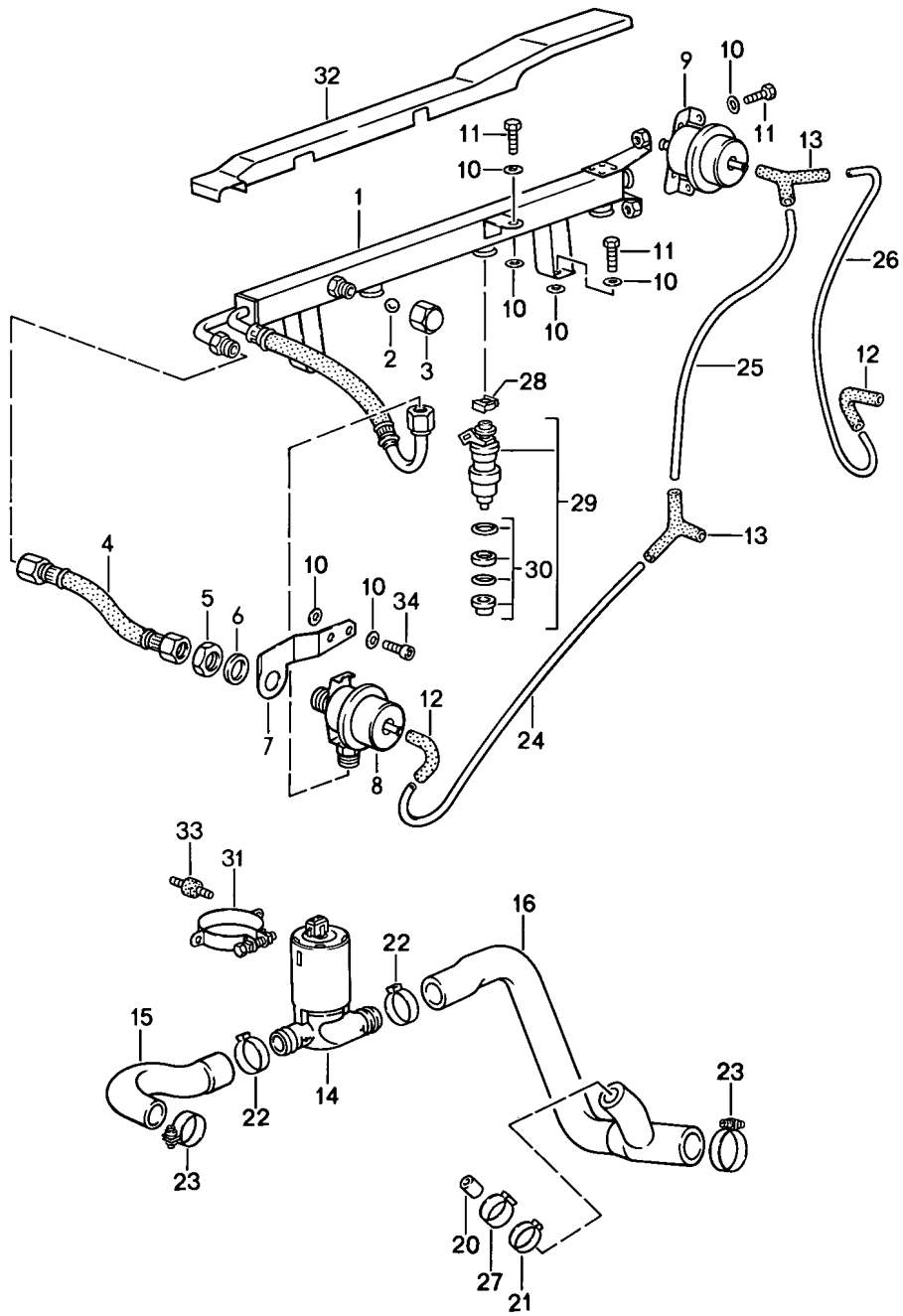


Model: 944 85 Model life 1985>>1988

Pos	Part Number	Description	Remark	Qty	Model
		L-jetronic 1			M44.40
1	944 606 124 00	Mass air flow meter		1	
2	944 110 317 02	Moulded hose		1	
3	944 110 321 02	Connecting hose		1	
4	944 110 083 01	Throttle body		1	
5	944 107 311 00	Connecting hose		1	
6	944 110 323 05	Intake manifold	87	1	
6	944 110 323 04	Intake manifold	88-	1	
7	944 110 145 00	Support		1	
8	944 110 014 70	Intake trumpet		1	
9	928 110 201 01	Sealing frame		1	
10	N 011 524 7	Washer		4	
10	N 011 524 27	Washer		4	
11	900 075 057 02	Hexagon-head bolt		4	
11	900 075 057 03	Hexagon-head bolt		4	
12	999 702 159 40	Rubber sleeve		3	
13	944 110 437 00	Sleeve		3	
13	944 110 437 01	Sleeve		3	
14	N 011 612 3	Washer		3	
14	N 011 612 C	Washer		3	
15	900 075 017 02	Hexagon-head bolt		3	
15	900 075 017 03	Hexagon-head bolt		3	
16	N 023 576 1	Hose clamp		2	
17	999 512 045 02	Hose clamp		1	
18	N 040 268 1	Hexagon-head bolt		3	
19	944 110 123 01	Support		1	
20	900 025 014 02	Washer		1	
21	N 011 524 7	Washer		1	
21	N 011 524 27	Washer		1	
22	900 910 096 02	Lock nut		1	
23	944 606 113 01	Throttle-valve switch		1	
24	999 512 410 02	Hose clamp		2	
25	900 146 120 02	Oval-head screw		2	
26	999 701 331 40	Round seal		1	
27	N 014 734 1	Pan-head screw		4	
28	999 085 001 02	Socket head nut		2	
28		Socket head nut		2	
-	944 110 227 00	Cover plate		1	
-	964 110 930 00	Return spring		1	

Model: 944 85

Model life 1985>>1988



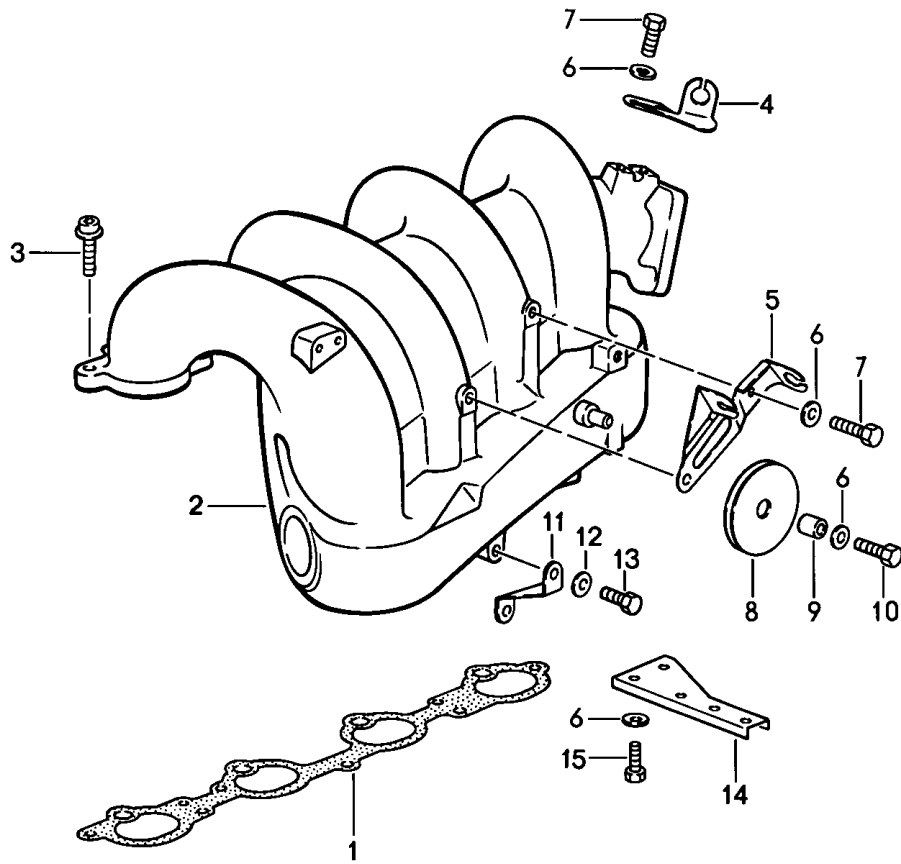
Model: 944 85

Model life 1985>>1988

Pos	Part Number	Description	Remark	Qty	Model
		L-jetronic 2			M44.40
1	944 110 080 13	Fuel collection pipe		1	
2	900 108 022 00	Ball		1	
3	928 110 475 01	Cap nut		1	
3	928 110 475 03	Cap nut		1	
3	928 110 475 04	Cap nut		1	
4	944 110 384 00	Fuel line		1	
5	900 034 013 02	Hexagon nut BM 16 X 1,5		1	
5	900 034 013 01	Hexagon nut BM 16 X 1,5		1	
6	N 012 238 5	Spring washer		1	
7	944 110 381 02	Support		1	
8	944 110 201 04	Diaphragm damper		1	
9	944 110 198 04	Pressure regulator		1	
10	900 025 004 30	Washer		12	
11	900 075 355 02	Combination screw M 6 X 16		5	
11	900 075 355 01	Hexagon-head bolt M 6 X 16		5	
12	928 574 717 02	Moulded hose		2	
13	928 573 727 02	Distributing piece		2	
14	964 606 160 00	Idle-speed adjuster		1	
15	944 110 214 02	Moulded hose		1	
16	944 110 235 00	Moulded hose Triple Connecting piece			
(16)	944 110 235 01	Moulded hose Double Connecting piece		1	
20	944 110 241 04	Restrictor		1	
21	999 512 457 00	Clamp 18,2 - 21,0		4	
22	999 512 455 00	Hose clamp 24,0 - 27,0		2	
23	N 023 561 1	Clip A 9 X 30		2	
-	N 020 139 11	Pipe 4 X 1		*	
24		560 MM		1	
25		380 MM		1	
26		820 MM		1	
27	999 512 456 00	Clamp 19,8 X 22,6		1	
28	930 110 388 00	Retaining clip		4	
28	930 110 388 01	Retaining clip		4	
29	944 606 112 01	Injector valve		4	
30	944 110 901 00	Gasket for Injector valve		4	
31	944 110 147 00	Clamp		1	
32	944 607 010 01	Cover		1	
33	928 110 191 10	Bonded rubber mounting		2	
33	999 703 264 00	Bonded rubber mounting		2	
34	900 067 009 02	Pan-head screw M 6 X 15		2	
34	900 067 429 01	Pan-head screw M 6 X 15		2	

Model: 944 85

Model life 1985>>1988



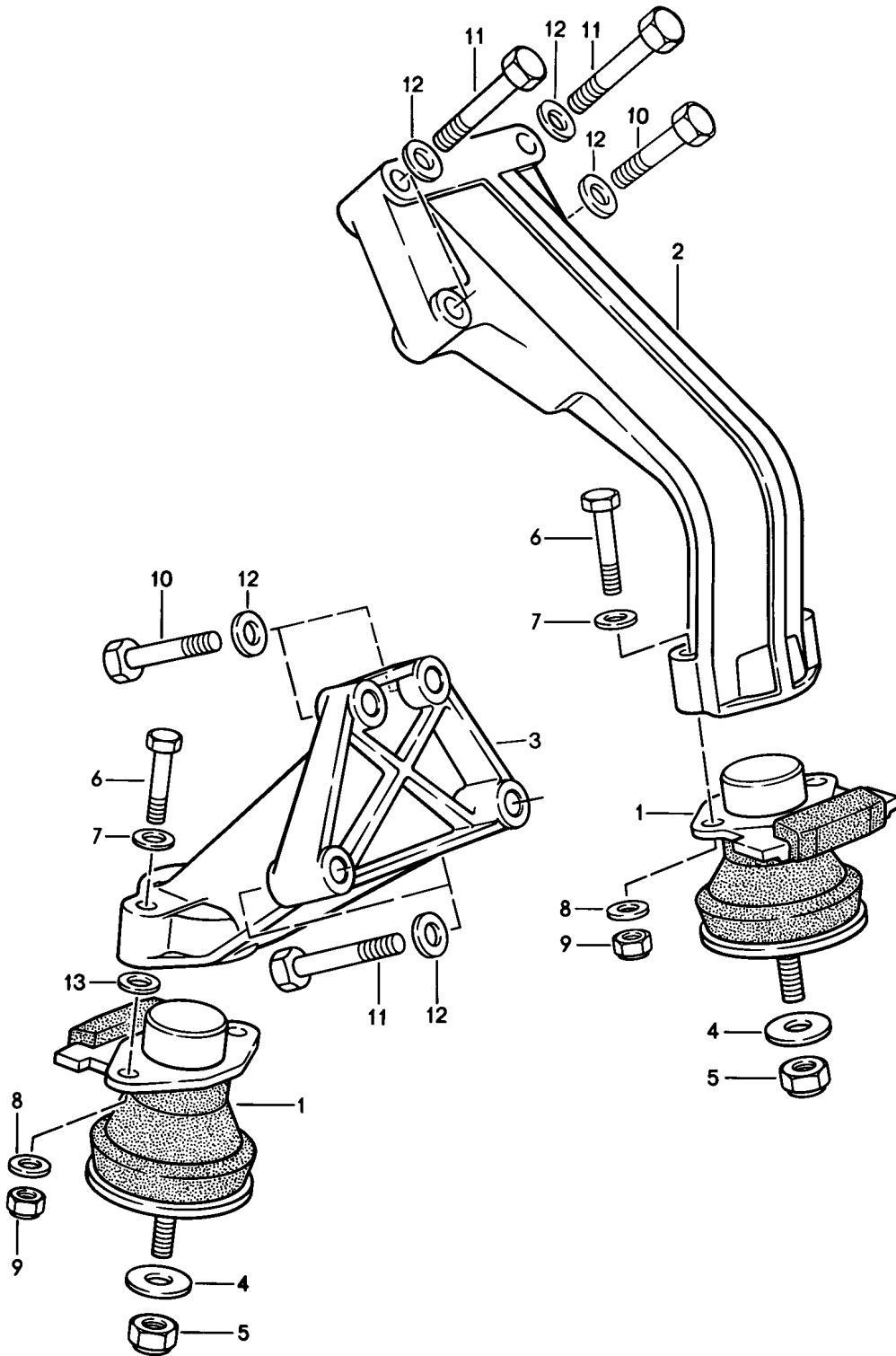
Model: 944 85

Model life 1985>>1988

Pos	Part Number	Description	Remark	Qty	Model
		L-jetronic 3			M44.40
1	944 110 305 02	Gasket		1	
1		Gasket without asbestos		1	
2	944 110 056 02	Intake manifold	87	1	
2	944 110 056 03	Intake manifold	88	1	
3	999 067 035 02	Pan-head screw M 8 X 32		7	
4	944 110 224 00	Support		1	
5	944 110 226 00	Support		1	
6	N 011 524 7	Washer 6,4		4	
6	N 011 524 27	Washer 6,4		4	
7	900 075 057 02	Hexagon-head bolt M 6 X 16		3	
7	900 075 057 03	Hexagon-head bolt M 6 X 16		3	
8	944 110 222 00	Deflection roller		1	
9	944 110 220 00	Bush		1	
10	900 075 341 02	Combination screw M 6 X 25		1	
10	900 075 341 01	Combination screw M 6 X 25		1	
11	944 110 164 01	Support		1	
12	900 025 007 02	Washer		1	
12	900 025 007 03	Washer		1	
13	900 075 085 02	Hexagon-head bolt		1	
14	944 110 023 01	Support		1	
15	N 040 268 1	Hexagon-head bolt M 6 X 14		2	

Model: 944 85

Model life 1985>>1988

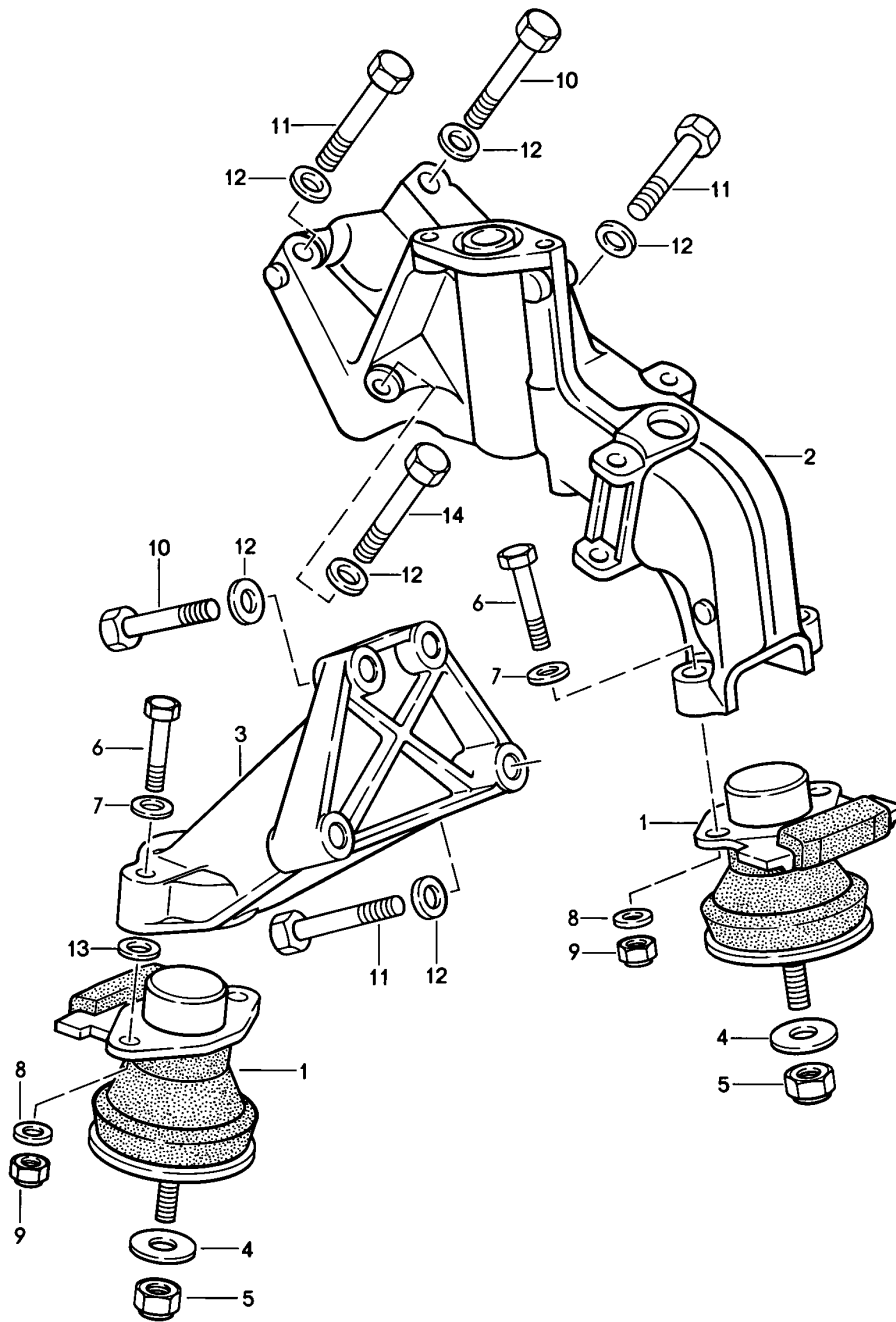


Model: 944 85 Model life 1985>>1988

Pos	Part Number	Description	Remark	Qty	Model
		Engine suspension			M44.05/06/07
1	944 375 042 04	Hydraulic mount		2	M44.08/09 M44.10/40 M44.05/06/07 M44.08/09 M44.10 M44.40
1	951 375 042 04	Hydraulic mount		2	
2	944 375 123 03	Engine carrier	/L	1	
3	944 375 124 02	Engine carrier	/R	1	
4	477 407 425	Washer		2	
5	N 022 149 2	Lock nut VM 10		2	
6	N 010 351 6	Hexagon-head bolt M 8 X 52		4	
6	900 074 342 01	Hexagon-head bolt M 8 X 52		4	
6	900 074 139 02	Hexagon-head bolt M 8 X 55		4	
6	900 074 139 03	Hexagon-head bolt M 8 X 55		4	
7	900 223 001 02	Washer 8,4		4	
8	900 025 007 02	Washer A 8,4		4	
8	900 025 007 03	Washer A 8,4		4	
9	900 910 022 09	Lock nut VM 8		4	
9	900 910 022 03	Lock nut VM 8		4	
10	N 010 445 3	Hexagon-head bolt M 10 X 45		3	
11	900 074 063 02	Hexagon-head bolt M 10 X 55		5	
11	900 074 380 01	Hexagon-head bolt M 10 X 55		5	
12	900 025 008 09	Washer A 10,5		8	
12	900 025 008 04	Washer A 10,5		8	
13	900 223 001 02	Washer		4	

Model: 944 85

Model life 1985>>1988

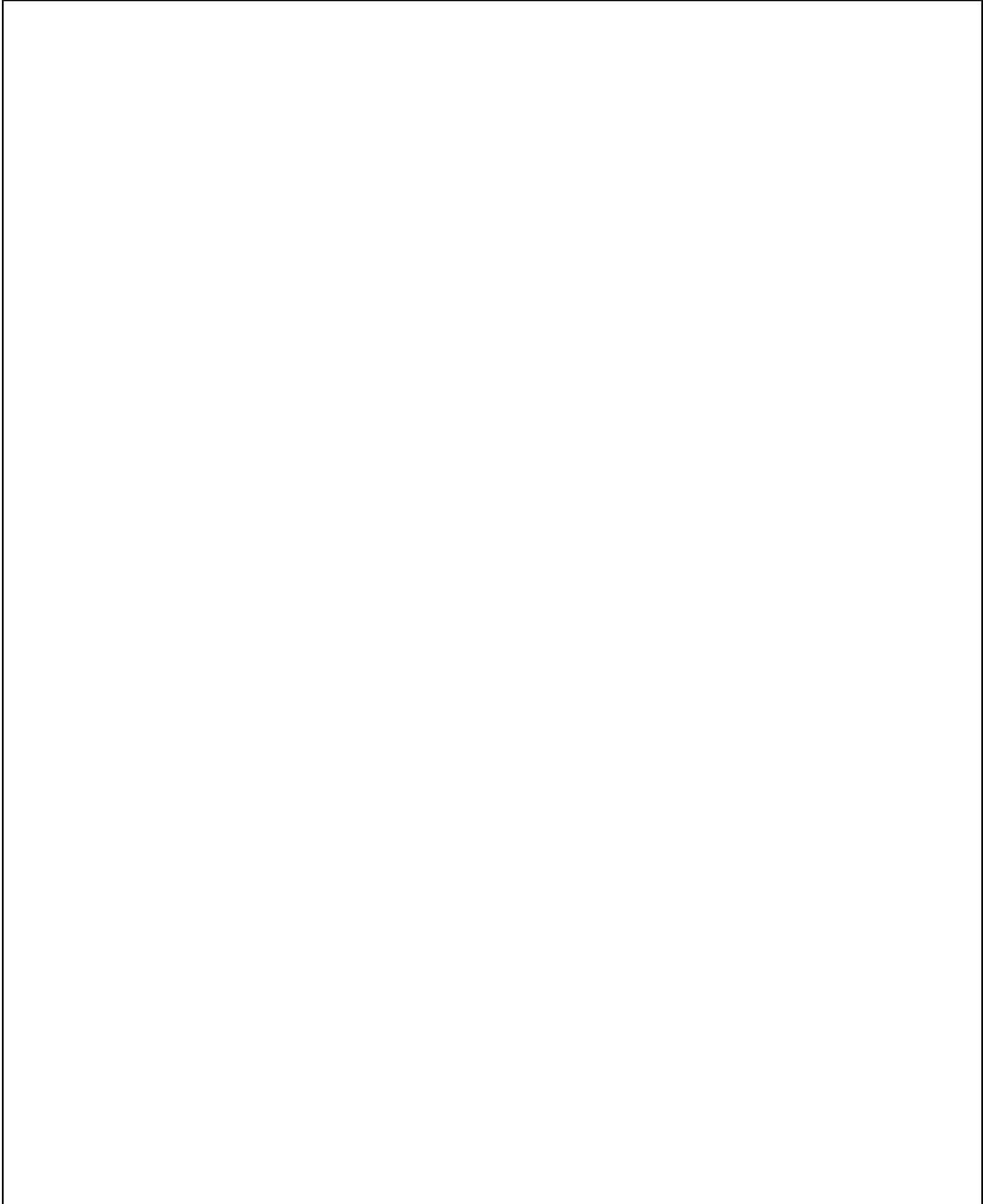


Model: 944 85 Model life 1985>>1988

Pos	Part Number	Description	Remark	Qty	Model
		Engine suspension			M44.50/51 M44.52
1	951 375 042 04	Hydraulic mount		2	
2	951 101 023 00	Engine carrier	/L	1	
3	944 375 124 02	Engine carrier	/R	1	
4	477 407 425	Washer		2	
5	N 022 149 2	Lock nut		2	
6	N 010 351 6	Hexagon-head bolt M 8 X 52		4	
6	900 074 342 01	Hexagon-head bolt M 8 X 52		4	
7	900 223 001 02	Washer		4	
8	900 025 007 02	Washer		4	
8	900 025 007 03	Washer		4	
9	900 910 022 09	Lock nut		4	
9	900 910 022 03	Lock nut		4	
10	N 010 445 3	Hexagon-head bolt M 10 X 45		4	
11	900 074 063 02	Hexagon-head bolt M 10 X 55		2	
11	900 074 380 01	Hexagon-head bolt M 10 X 55		2	
12	900 025 008 09	Washer		8	
12	900 025 008 04	Washer		8	
13	900 223 001 02	Washer		4	
14	900 067 222 02	Pan-head screw M 10 X 55		1	

Model: 944 85

Model life 1985>>1988



Model: 944 85 Model life 1985>>1988

Pos	Part Number	Description	Remark	Qty	Model
>>	944 100 901 03	Repair kits Gasket set for crankcase Comprising:		1	
-	999 701 614 40	Round seal		2	
-	999 113 282 40	Shaft sealing ring		1	
-	999 113 281 40	Shaft sealing ring		1	
-	999 701 652 40	O-ring		2	
-	944 101 205 02	Oil sump gasket		1	
-	N 043 815 3	Sealing ring		2	
-	999 113 264 40	Radial sealing ring		1	
-	999 113 461 40	Radial sealing ring		1	
-	999 113 426 40	Radial sealing ring		1	
-	999 113 426 41	Radial sealing ring		1	
-	944 105 321 00	Gasket		2	
-	944 106 132 04	Gasket		1	
-	999 113 331 40	Shaft sealing ring		1	
-	999 707 283 40	Round seal		1	
-	944 107 136 03	Sealing ring		1	
-	944 107 136 04	Sealing ring		1	
-	900 123 106 30	Sealing ring		1	
-	944 107 153 02	Rubber ring		1	
-	999 707 043 40	O-ring		2	
-	944 107 147 03	Gasket		1	
-	999 701 661 40	Round seal		2	
-	900 123 101 30	Sealing ring		1	
-	900 123 118 30	Sealing ring		1	
-	951 107 241 02	Sealing ring		1	
-	900 123 007 30	Sealing ring		1	
>>	944 100 901 00	Gasket set for cylinder head Comprising:		1	-10 M44.05
-	951 104 374 02	Cylinder head gasket		1	
-	928 104 193 12	Valve stem seal		8	
-	928 104 193 13	Valve stem seal		8	
-	964 104 111 07	Valve stem seal		8	
-	928 111 193 12	Gasket		4	
-	928 105 199 12	Gasket		1	
-	944 110 163 02	Gasket		4	
-	928 106 197 01	Gasket		1	
-	928 106 197 10	Gasket		1	
-	928 106 197 04	Gasket		1	
-	944 104 311 01	Gasket		1	
-	928 105 184 00	Sealing ring		1	
-	928 105 184 01	Sealing ring		1	
-	999 701 602 40	O-ring		1	
-	999 113 282 40	Shaft sealing ring		1	
-	928 105 189 02	Gasket		1	
-	944 105 321 00	Gasket		1	
-	900 123 140 30	Sealing ring		6	
-	999 701 468 40	Round seal		1	
-	944 111 135 01	Gasket		2	
>>	944 101 901 00	Set of crankshaft bearings Comprising:		1	
-	928 101 117 08	Main bearing bush i		1	
-	928 101 115 02	Main bearing shell		3	
-	928 101 115 02 002	Upper			
-	928 101 115 01	Main bearing shell Lower		3	
-	944 101 139 00	Thrust bearing		2	
-	944 101 139 00 002				
-	944 101 139 16	Thrust bearing		2	

Model: 944 85 Model life 1985>>1988

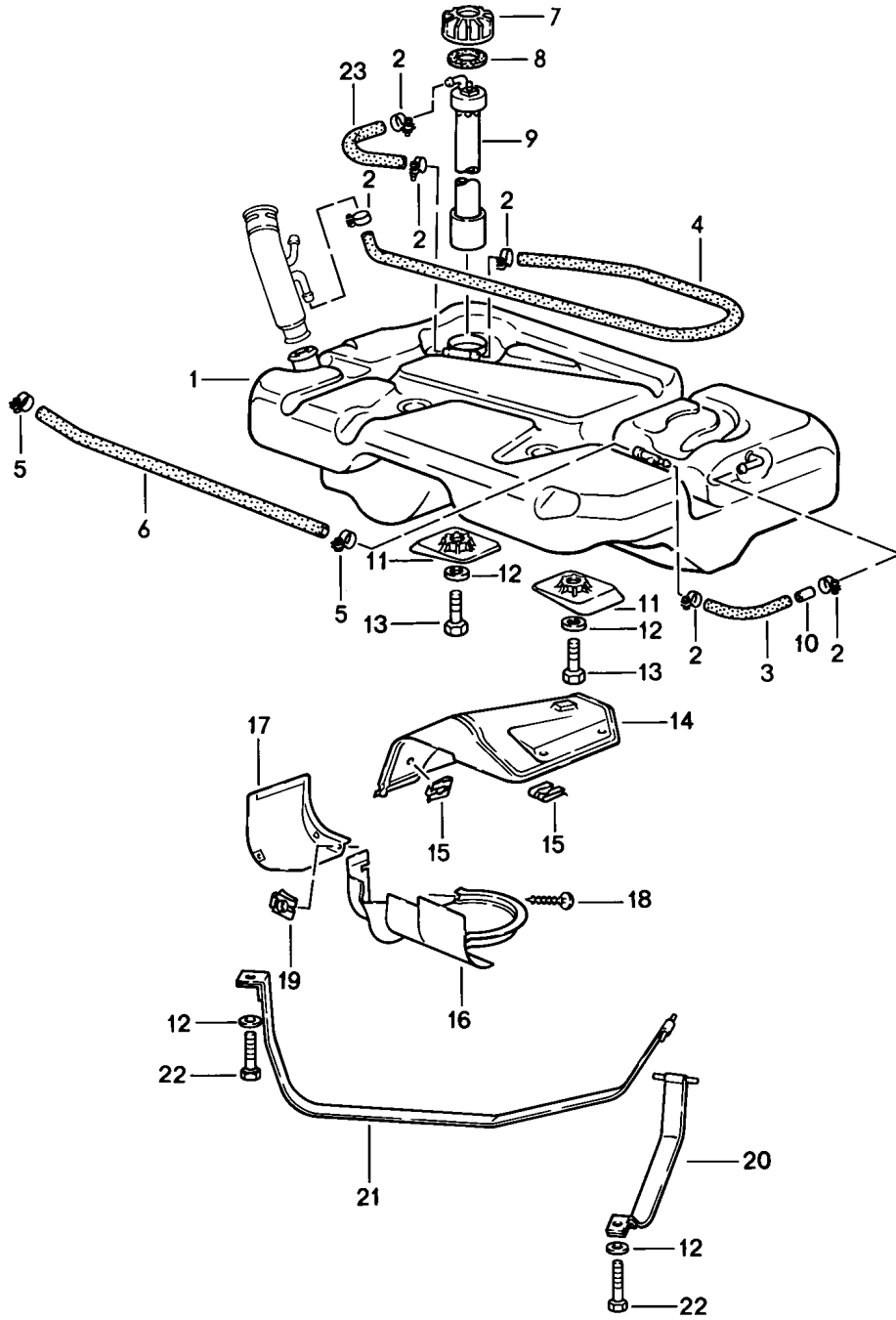
Pos	Part Number	Description	Remark	Qty	Model
>>	928 101 901 52	Set of crankshaft bearings Undersize 0.25 mm Comprising:		1	
-	928 101 117 58	Main bearing bush i		1	
-	928 101 115 50	Main bearing shell Upper		3	
-	928 101 115 51	Main bearing shell Lower		3	
-	928 101 133 53	Thrust bearing		2	
>>	928 101 901 62	Set of crankshaft bearings Undersize 0.50 mm Comprising:		1	
-	928 101 117 68	Main bearing bush i		1	
-	928 101 115 60	Main bearing shell Top half		3	
-	928 101 115 61	Main bearing shell Lower		3	
-	928 101 133 63	Thrust bearing		2	
>>	951 100 901 00	Gasket set for cylinder head Comprising:		1	M44.51/52
-	951 104 374 02	Cylinder head gasket		1	
-	951 104 195 01	Valve stem seal		8	
-	944 111 196 00	Gasket		4	
-	944 111 197 00	Gasket		4	
-	944 111 197 04	Gasket		4	
-	928 105 199 12	Gasket		1	
-	944 110 163 05	Gasket		4	
-	928 106 197 01	Gasket		1	
-	928 106 197 10	Gasket		1	
-	928 106 197 04	Gasket		1	
-	944 104 311 01	Gasket		1	
-	951 104 311 01	Gasket		1	
-	928 105 184 00	Sealing ring		1	
-	928 105 184 01	Sealing ring		1	
-	999 701 602 40	O-ring		1	
-	999 113 349 40	Shaft sealing ring		1	
-	928 105 189 02	Gasket		1	
-	944 105 321 00	Gasket		1	
-	900 123 140 30	Sealing ring		6	
-	999 701 331 40	Round seal		1	
-	944 111 205 04	Sealing ring		2	
>>	944 100 901 04	Gasket set for cylinder head Comprising:		1	M44.40
-	951 104 374 02	Cylinder head gasket		1	
-	928 104 601 07	Valve stem seal		16	
-	944 104 305 03	Gasket		1	
-	944 104 302 03	Gasket		1	
-	928 106 167 01	Gasket		1	
-	N 043 811 1	Sealing ring		1	
-	928 104 447 09	Gasket		1	
-	999 113 282 40	Shaft sealing ring		1	
-	900 123 050 30	Sealing ring		4	
-	900 174 056 40	O-ring		2	
-	928 104 115 02	Thrust ring		13	
-	944 110 305 02	Gasket		1	
-	999 701 331 40	Round seal		1	
-	944 111 205 00	Sealing ring		4	
-	944 111 135 01	Gasket		2	
>>	944 103 902 82	Set of piston rings		4	-10 M44.05 M44.40

Model: 944 85 Model life 1985>>1988

Pos	Part Number	Description	Remark	Qty	Model
>>	944 103 902 83	100,00 MM Set of piston rings		4	-10 M44.05 M44.40
>>	944 103 902 92	100,00 MM Set of piston rings		4	-10 M44.05 M44.40
>>	944 103 902 93	100,50 MM Set of piston rings		4	-10 M44.05 M44.40
>>	951 103 901 02	100,50 MM Set of piston rings		4	M44.50/51 M44.52
>>	951 103 901 03	100,00 MM Set of piston rings		4	M44.50/51 M44.52
>>	951 100 930 00	100,50 MM Maintenance set		1	M44.50/51 M44.52
		for Periodic maintenance Comprising:			
-	944 107 201 03	Oil filter		1	
-	951 110 121 01	Air cleaner cartridge		1	
-	928 110 253 06	Fuel filter		1	
-	900 123 118 30	Sealing ring		1	
-	999 170 156 90	Spark plug		4	
>>	944 100 930 00	Maintenance set		1	-10 M44.05
		for Periodic maintenance Comprising:			
-	944 107 201 03	Oil filter		1	
-	944 110 186 02	Air cleaner cartridge		1	
-	928 110 253 06	Fuel filter		1	
-	900 123 118 30	Sealing ring		1	
-	999 170 156 90	Spark plug		4	
>>	944 100 930 02	Maintenance set		1	M44.40
		for Periodic maintenance Comprising:			
-	944 107 201 03	Oil filter		1	
-	944 110 188 00	Air cleaner cartridge		1	
-	928 110 253 06	Fuel filter		1	
-	900 123 118 30	Sealing ring		1	
-	999 170 156 90	Spark plug		4	
>>	944 110 901 00	Gasket		4	
		for Injector valve			

Model: 944 85

Model life 1985>>1988

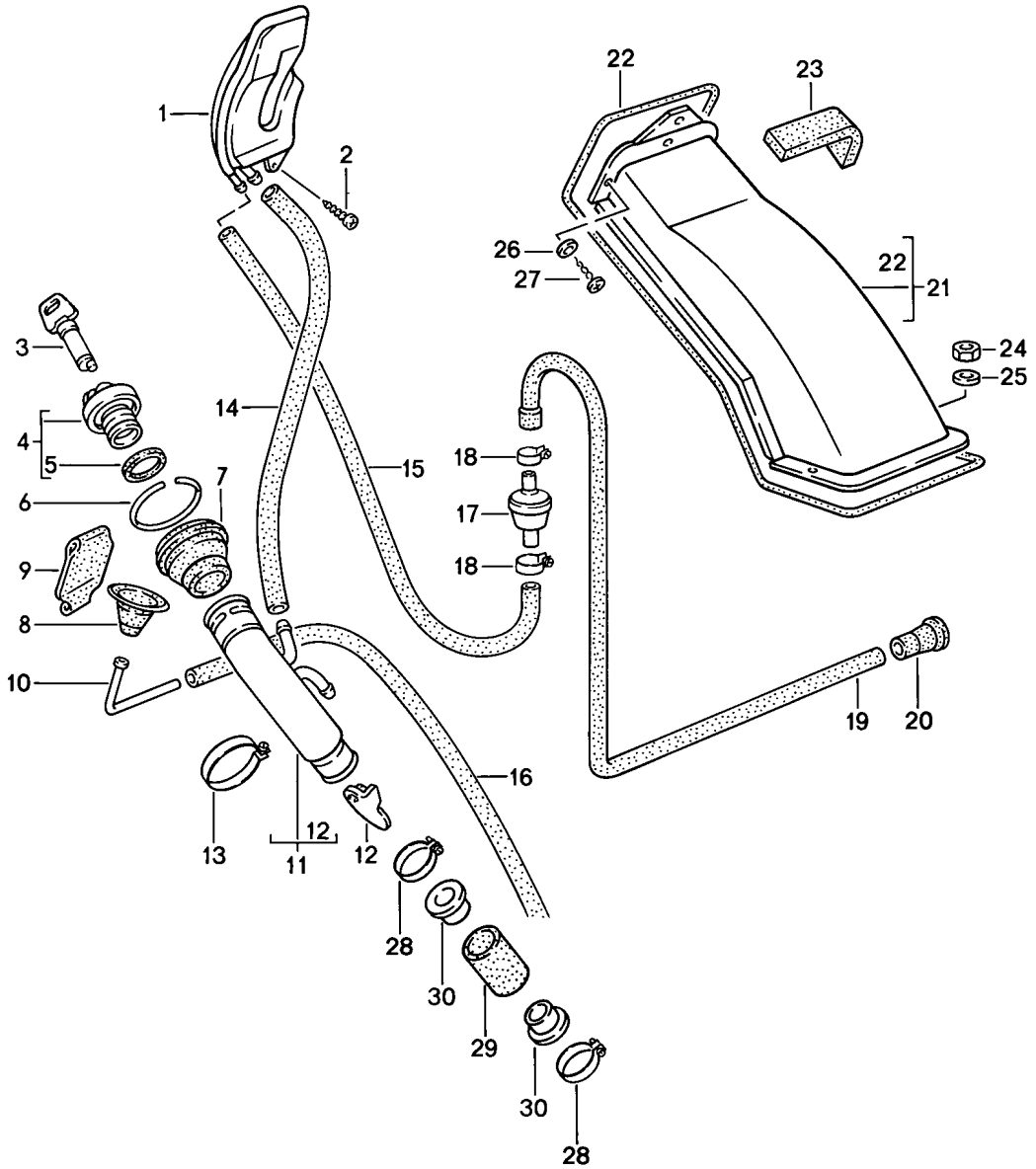


Model: 944 85 Model life 1985>>1988

Pos	Part Number	Description	Remark	Qty	Model
1	951 201 021 03	Fuel tank		1	
2	N 023 570 2	Hose clamp		6	
-	999 181 716 50	Hose		*	
		9,5 X 3			
3		220 MM		1	
4		1860 MM		1	
5	999 512 482 00	Hose clamp		2	
		SM 9C21-W3			
-	999 181 058 40	Hose		*	
		15 X 3,5			
6		930 MM	86	1	
(6)	951 201 123 02	Hose	87-	1	
7	951 201 375 00	Union nut		1	
8	944 201 327 00	Sealing ring		1	
9	944 641 037 01	Tank gauge		1	
10	911 201 263 02	Restrictor		1	
11	951 201 173 02	Fastening plate		2	
12	N 900 741 01	Washer		2	
13	900 075 033 02	Stud		2	
		M 8 X 40			
13	900 075 033 03	Stud		2	
		M 8 X 40			
14	944 201 435 00	Heat protection plate		1	
15	N 012 653 3	Lock washer		4	
16	944 201 331 00	Cover		1	
17	951 201 025 00	Lid		1	
18	900 143 124 07	Tapping screw		2	
19	N 015 482 1	Speed nut		2	
20	951 201 315 00	Restraining strap	/L	1	
20	951 201 315 04	Restraining strap	/L	1	
21	951 201 312 01	Restraining strap	/R	1	
22	900 075 033 02	Stud		2	
		M 8 X 40		2	
22	900 075 033 03	Stud		2	
		M 8 X 40		2	
23	951 201 227 01	Hose		1	
24	N 023 570 2	Hose clamp		1	
		A 9 X 15 ZY			

Model: 944 85

Model life 1985>>1988

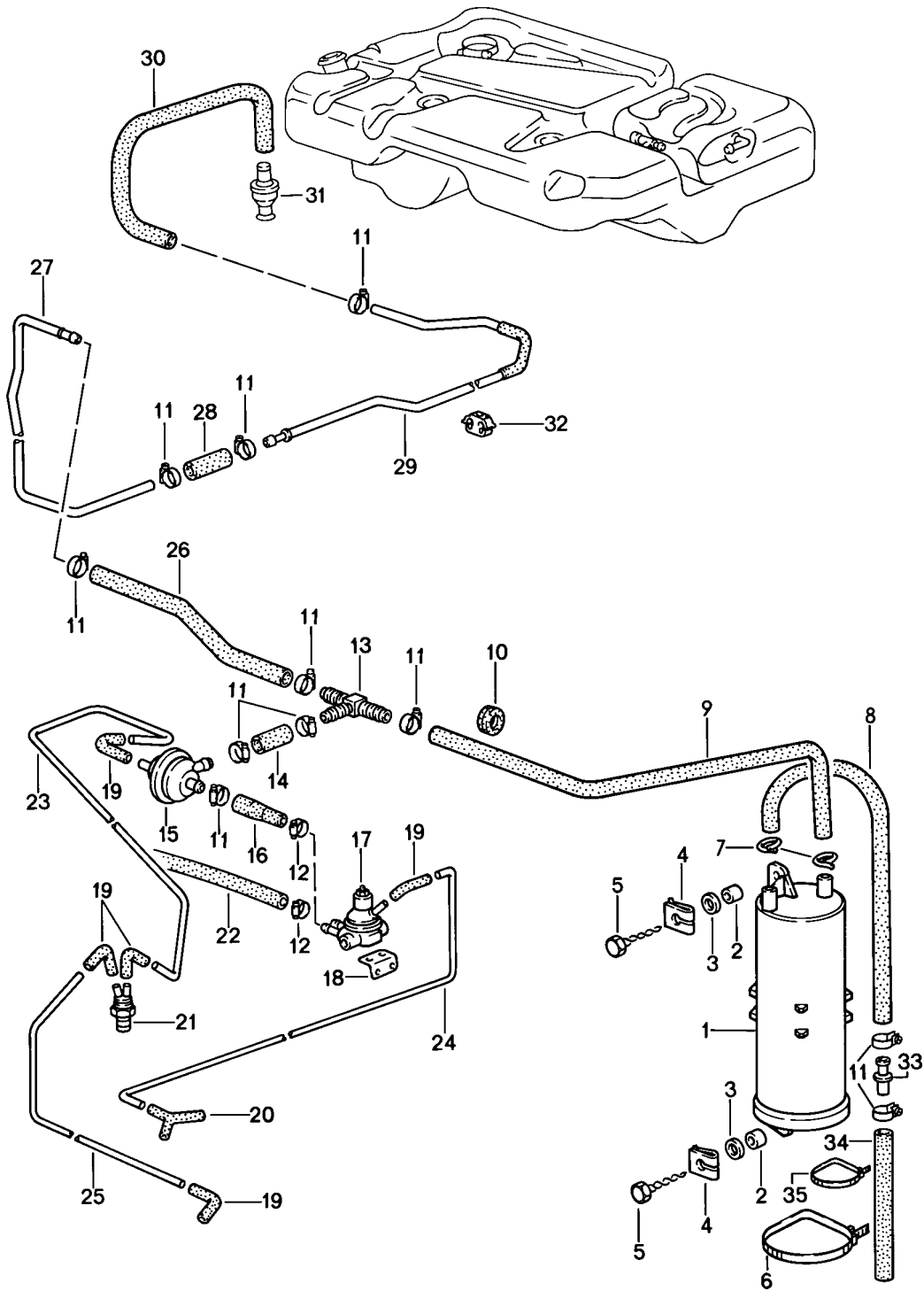


Model: 944 85 Model life 1985>>1988

Pos	Part Number	Description	Remark	Qty	Model
1	944 201 041 03	Filler neck Expansion tank		1	
2	N 043 864 1	Hexagon-head bolt BM 3 X 6		1	
3	477 201 594	Lock cylinder with 1 key W/o stipulated lock number		1	
3	477 201 594 A	Lock cylinder with 1 key State lock number		1	
4	944 201 061 01	Fuel tank cap		1	
5	944 201 553 00	Gasket		1	
6	900 906 045 03	Circlip		1	
7	931 201 281 02	Sleeve		1	
8	944 201 461 00	Grommet		1	
9	928 201 057 02	Protective flap		1	
10	477 201 283 A	Connection piece		1	
11	944 201 039 03	Filler neck		1	
12	931 201 359 02	Flap		1	
13	999 513 003 40	Tie-wrap		2	
14	999 181 354 40	Hose		1	
15	951 201 449 01	Hose		1	
16	477 201 393 A	Hose		1	
16	477 201 393 C	Hose		1	
17	928 201 083 02	Shut-off valve		1	
18	N 023 570 2	Hose clamp		2	
19	944 201 159 01	Breather hose		1	
20	321 201 890 A	End piece		1	
21	944 201 047 03	Cover		1	
-	000 043 202 08	Packing cord		*	
22		\$ 4 MM		1	
-	000 043 205 05	Sound absorber		*	
23		100 MM		1	
24	N 011 005 14	Hexagon nut M 5		2	
24	900 076 091 01	Hexagon nut M 5		2	
25	900 025 003 02	Washer A 5,3		2	
26	900 151 028 02	Washer 4,3		3	
26	900 151 028 01	Washer 4,3		3	
27	N 013 957 5	Oval-head sheetmetal screw B 3,5 X 9,5		3	
28	113 201 281 B	Hose clamp		2	
29	951 201 319 00	Hose		1	
30	944 201 217 00	Hose		2	
30	944 201 217 01	Hose		2	
-	431 971 848 A	Clip		2	

Model: 944 85

Model life 1985>>1988

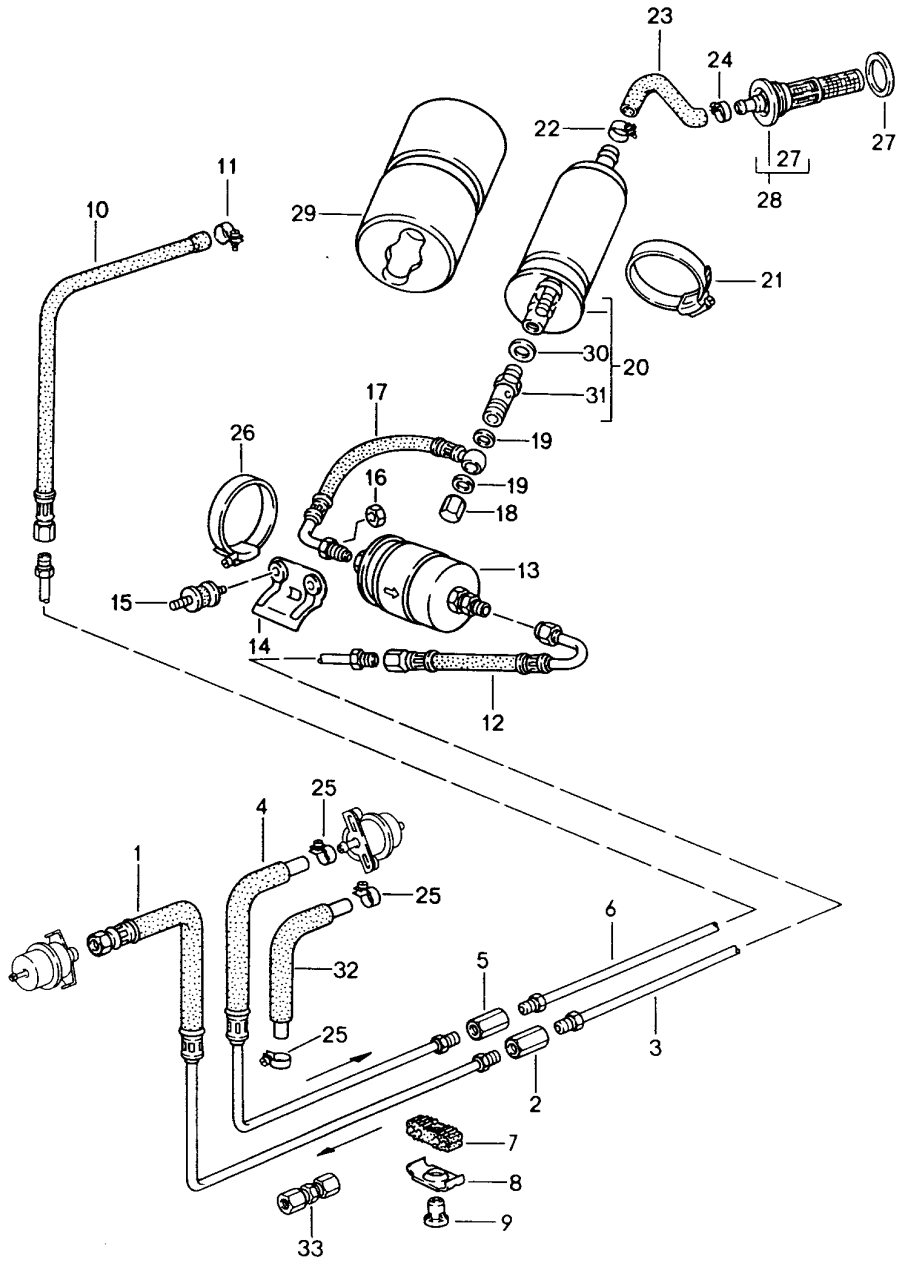


Model: 944 85 Model life 1985>>1988

Pos	Part Number	Description	Remark	Qty	Model
1	928 201 014 06	Carbon canister		1	
2	477 201 279	Sleeve		2	
3	N 011 666 7	Washer		2	
4	N 015 433 1	Speed nut		2	
5	N 013 891 1	Hexagon-head tapping screw B 6,3 X 19		2	
6	N 020 906 3	Tie-wrap 6,5 X 450		1	
7	999 512 265 02	Hose clamp		2	
-	N 020 362 1	Hose 12 X 2,5 460 MM		*	
8				1	
9	999 181 353 40	Hose		1	
10	021 119 569 A	Rubber sleeve		1	
11	999 512 554 00	Hose clamp 12 - 22		9	
12	999 512 160 02	Hose clamp S 13/9		2	
12	PCG 512 160 02	Hose clamp S 13/9		2	
13	477 201 767 B	T-piece		1	
14	999 181 352 40	Hose		1	
15	928 110 429 08	Vacuum valve		1	
16	944 110 182 02	Hose		1	944 TURBO
16	944 110 182 04	Moulded hose		1	944 S
17	944 110 429 00	Control valve		1	944 TURBO
17	944 605 240 01	Bleeder valve		1	944 S
18	944 110 366 00	Retaining bracket		1	
19	928 574 717 02	Moulded hose		4	
20	928 573 727 02	Distributing piece		1	
21	058 131 851 A	Thermo valve		1	
-	999 181 152 50	Fuel hose 7,5 X 13,5 730 MM		*	
22				1	944
22		600 MM		1	TURBO
-	N 020 139 1	Hose 4 X 1 850 MM		*	
23				1	
24		580 MM		1	
25		480 MM		1	
26	944 201 773 00	Hose		1	
26	944 201 773 01	Hose		1	
27	944 201 153 00	Breather pipe		1	
28	944 201 775 00	Hose		1	
29	477 201 743 E	Pipe		1	
30	944 201 159 01	Breather hose		1	
31	928 201 083 02	Shut-off valve		1	
32	999 591 715 40	Cable holder		6	
32	999 591 715 4A	Cable holder		6	
33	999 137 029 40	Hose connection		1	
-	999 181 168 50	Hose 12 X 18,5 900 MM		*	
34				1	944
34		970 MM		1	TURBO
35	443 971 850 A	Tie-wrap		4	944
35	999 513 003 40	Tie-wrap		2	TURBO

Model: 944 85

Model life 1985>>1988

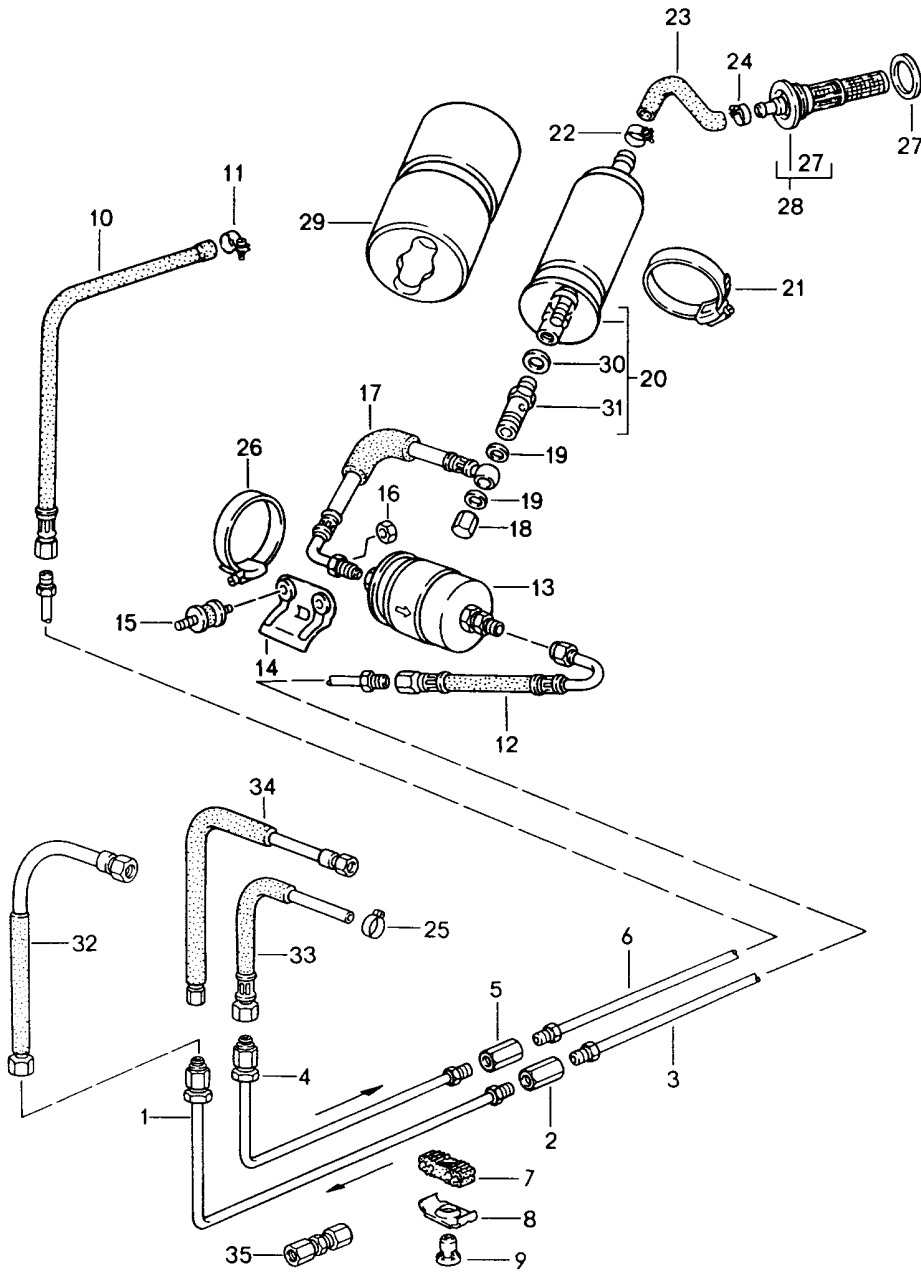


Model: 944 85 Model life 1985>>1988

Pos	Part Number	Description	Remark	Qty	Model
		Fuel system			M44.05/06/07 M44.08/09 M44.10/50/51 M44.52
1	951 356 919 03	Fuel line		1	
1	951 356 919 04	Fuel line		1	
2	477 209 169	Connecting piece		1	
3	951 356 967 02	Fuel line		1	
4	951 356 917 03	Fuel return line		1	
5	477 209 161	Connecting piece		1	
6	951 356 935 02	Fuel return line		1	
6	951 356 935 03	Fuel return line		1	
7	999 591 975 40	Rubber mounting		9	
8	999 511 199 40	Clamp		9	
9		Clamp		9	
10	951 356 061 02	Fuel hose		1	
11	999 512 554 00	Hose clamp		1	
12	951 356 047 03	Fuel hose	-86	1	
12		Fuel hose		1	
13	928 110 253 06	Fuel filter		1	
14	951 356 471 01	Support		1	
14		Support		1	M249
15	944 610 115 00	Bonded rubber mounting		2	
16	900 076 010 02	Nut		4	
16	900 076 010 0B	Nut		4	
17	951 356 041 07	Fuel line		1	
17	951 356 041 04	Fuel line		1	M249
17	951 356 041 08	Fuel line		1	M249
18	928 110 475 01	Cap nut		1	
18	928 110 475 03	Cap nut		1	
18	928 110 475 04	Cap nut		1	
19	N 013 812 2	Sealing ring		2	
20	944 608 102 04	Fuel pump		1	944
20		Fuel pump		1	TURBO
21	999 512 397 00	Hose clamp		1	
22	999 512 554 00	Hose clamp		1	
23	951 356 557 00	Fuel hose		1	
24	999 512 346 00	Hose clamp		1	
25	N 023 577 2	Hose clamp		1	
25	PCG 023 577 2	Hose clamp		1	
		A9 x 14			
26	999 512 390 00	Hose clamp		1	
27	928 201 187 02	Sealing ring		1	
28	928 201 081 04	Fuel filter		1	
29	944 356 091 00	Housing		1	
30	N 013 812 3	Sealing ring		1	
31	944 608 951 01	Check valve		1	
32	951 356 997 00	Fuel hose		1	
33	000 043 200 28	Connection piece		1	

Model: 944 85

Model life 1985>>1988



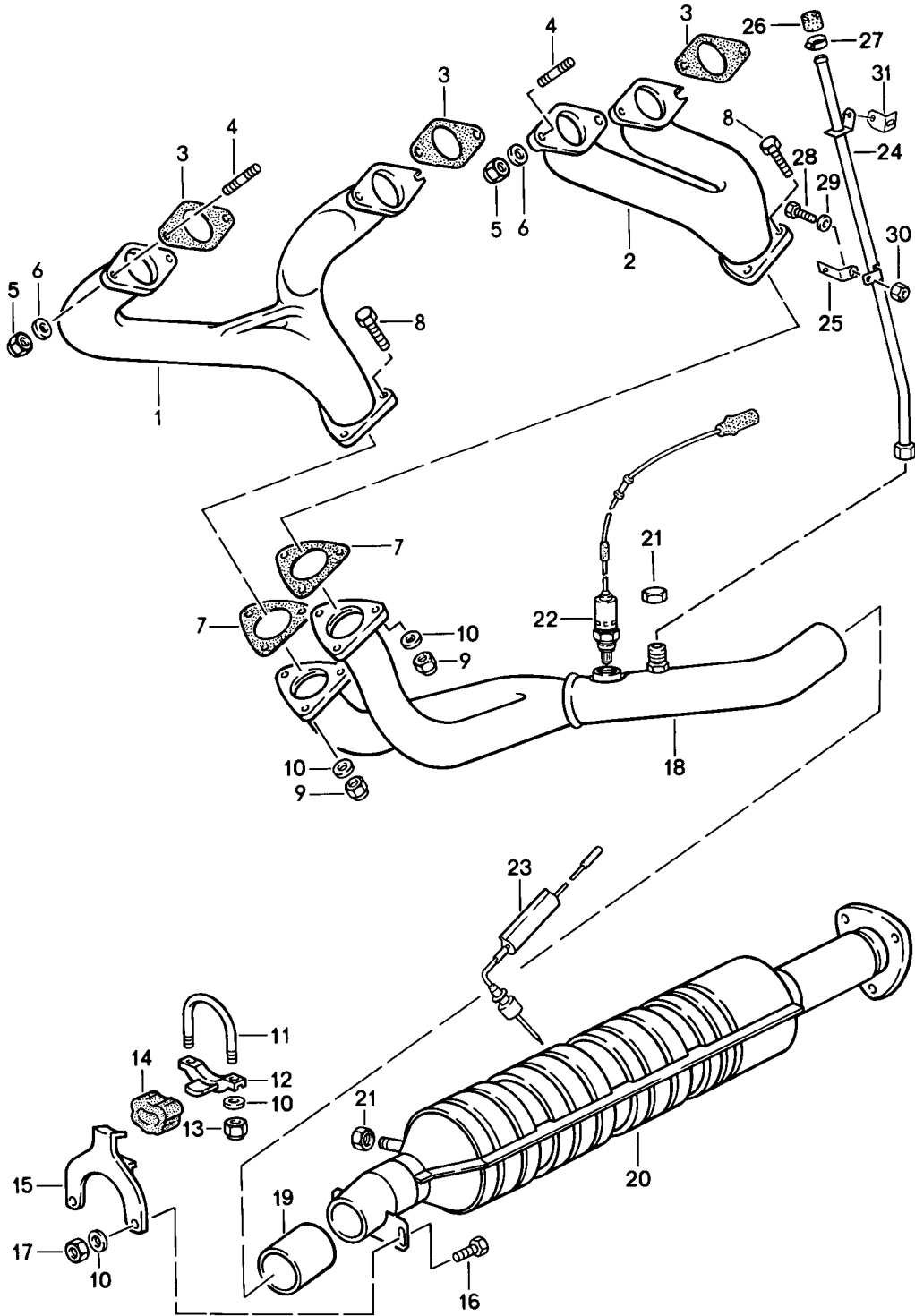
Model: 944 85

Model life 1985>>1988

Pos	Part Number	Description	Remark	Qty	Model
		Fuel system			M44.40
1	944 356 969 10	Fuel line		1	
2	477 209 169	Connecting piece		1	
3	951 356 967 02	Fuel line		1	
4	944 356 937 10	Fuel return line		1	
		It is necessary to rework			
5	477 209 161	Connecting piece		1	
6	951 356 935 02	Fuel return line		1	
6	951 356 935 03	Fuel return line		1	
7	999 591 975 40	Rubber mounting		9	
8	999 511 199 40	Clamp		9	
9		Clamp		9	
10	951 356 061 02	Fuel hose		1	
11	N 023 569 2	Hose clamp		1	
11	PCG 023 569 2	Hose clamp		1	
12	951 356 047 03	Fuel hose		1	
13	928 110 253 06	Fuel filter		1	
14	951 356 471 01	Support		1	
15	944 610 115 00	Bonded rubber mounting		2	
16	900 076 010 02	Nut		1	
16	900 076 010 0B	Nut		1	
17	951 356 041 07	Fuel line		1	
18	928 110 475 01	Cap nut		1	
18	928 110 475 03	Cap nut		1	
18	928 110 475 04	Cap nut		1	
19	N 013 812 2	Sealing ring		2	
20	944 608 102 06	Fuel pump		1	
21	999 512 397 00	Hose clamp		1	
22	999 512 554 00	Hose clamp		1	
23	951 356 557 00	Fuel hose		1	
24	999 512 346 00	Hose clamp		1	
25	N 023 577 2	Hose clamp		1	
25	PCG 023 577 2	Hose clamp		1	
		A9 x 14			
26	999 512 390 00	Hose clamp		1	
27	928 201 187 02	Sealing ring		1	
28	928 201 081 04	Fuel filter		1	
29	944 356 091 00	Housing		1	
30	N 013 812 3	Sealing ring		1	
31	944 608 951 01	Check valve		1	
32	944 356 029 12	Fuel hose		1	
33	944 356 027 11	Fuel hose	87	1	
33	944 356 027 16	Fuel hose	87-	1	
34	944 356 027 14	Fuel hose	88-	1	
34	944 356 027 17	Fuel hose	88-	1	

Model: 944 85

Model life 1985>>1988



Model: 944 85 Model life 1985>>1988

Pos	Part Number	Description	Remark	Qty	Model
		Exhaust system			M44.05/06 M44.07/08
1	944 111 127 05	Catalytic converter Exhaust manifold Cylinders 1 and 4		1	
2	944 111 129 04	Sheet metal elbow Exhaust manifold Cyl. 2 and 3		1	
3	944 111 196 00	Sheet metal elbow Gasket		4	
3	944 111 197 00	Gasket		4	
3	944 111 197 04	Gasket		4	
3	944 111 196 01	Gasket without asbestos		4	
4	999 062 044 02	Stud M 8 X 30		8	
5	999 084 052 02	Lock nut M 8		8	
6	928 111 181 00	Washer		8	
7	944 111 135 01	Gasket		2	
7		Gasket without asbestos		2	
8	900 074 282 02	Screw M 8 X 35		6	
9	N 022 008 4	Lock nut VM 8		6	
(9)	900 910 097 02	Lock nut VM 8		6	
10	900 025 007 02	Washer A 8,4		8	
10	900 025 007 03	Washer A 8,4		8	
11	477 253 139	Clip		1	
11	477 253 139 00	Clip		1	
12	944 111 307 00	Support		1	
13	900 910 097 02	Lock nut VM 8		2	
14	944 111 142 01	Rubber mounting		1	
15	931 111 061 02	Hook		1	
16	N 010 240 16	Hexagon-head bolt M 8 X 20		2	
17	900 076 025 02	Hexagon nut M 8		2	
17	900 076 064 02	Hexagon nut M 8		2	
18	944 111 987 03	Exhaust pipe		1	
19	944 111 981 00	Sleeve		1	
20	944 111 989 03	Catalytic converter		1	
21	930 113 153 00	Cap		1	
22	944 606 135 02	Oxygen sensor		1	
22	944 606 135 00	Oxygen sensor		1	(CAL)
24	944 111 175 03	Exhaust emission tube		1	
24	944 111 175 05	Exhaust emission tube		1	
25	944 111 177 02	Support		1	
26	034 133 335 D	Cap		1	
27	999 512 160 02	Hose clamp		1	
27	PCG 512 160 02	Hose clamp		1	
28	999 072 005 09	Hexagon nut M 6 X 12		1	
28	999 072 005 01	Hexagon nut M 6 X 12		1	
29	N 011 524 7	Washer A 6,4		1	

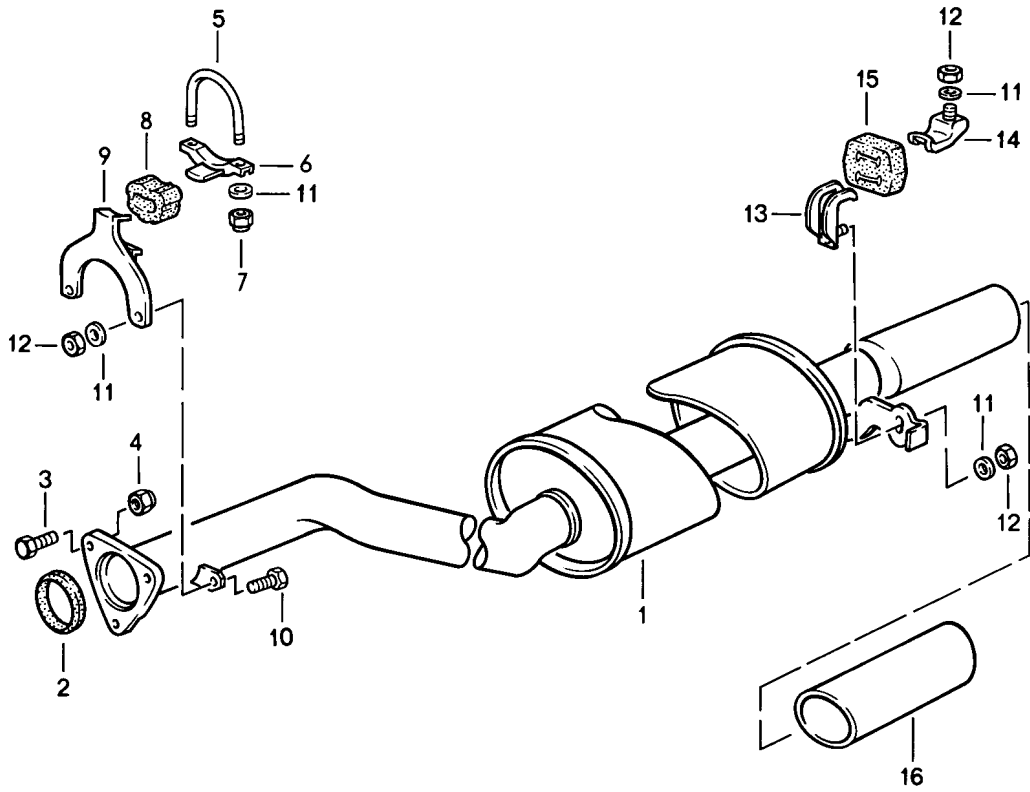
Model: 944 85

Model life 1985>>1988

Pos	Part Number	Description	Remark	Qty	Model
29	N 011 524 27	Washer A 6,4		1	
30	900 076 010 02	Nut M 6		1	
30	900 076 010 0B	Nut M 6		1	
31	944 111 179 00	Support		1	

Model: 944 85

Model life 1985>>1988

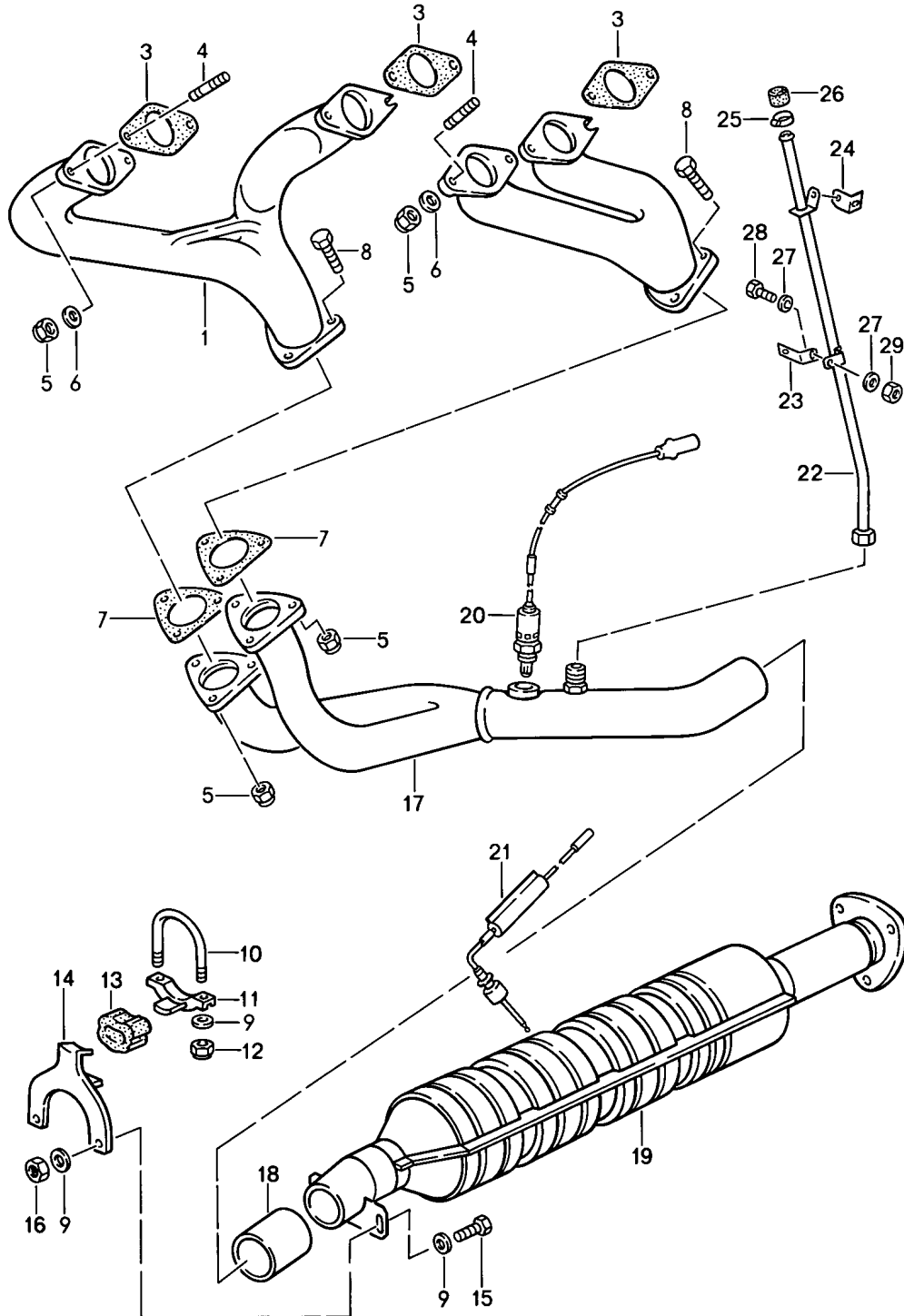


Model: 944 85 Model life 1985>>1988

Pos	Part Number	Description	Remark	Qty	Model
		Exhaust system			M44.05/06 M44.07/08
		Rear muffler			
1	944 111 083 01	Rear muffler		1	
2	944 111 203 00	Sealing ring		1	
3	900 074 268 02	Hexagon-head bolt M 8 X 40		3	
4	999 084 052 02	Lock nut VM 8		3	
5	477 253 139	Clip		1	
5	477 253 139 00	Clip		1	
6	944 111 307 00	Support		1	
7	900 910 003 02	Lock nut VM 8		2	
7	900 910 003 04	Lock nut M 8		2	
8	944 111 142 01	Rubber mounting		1	
9	931 111 061 02	Hook		1	
10	N 010 240 16	Hexagon-head bolt M 8 X 20		2	
11	900 025 007 02	Washer A 8,4		7	
11	900 025 007 03	Washer A 8,4		7	
12	900 076 025 02	Hexagon nut M 8		6	
12	900 076 064 02	Hexagon nut M 8		6	
13	931 111 264 01	Hook		2	
14	931 111 121 01	Hook		2	
15	928 111 259 02	Rubber mounting Information available		2	
16	477 253 191 C	Ornamental exhaust pipe		1	
16	477 253 191 F	Ornamental exhaust pipe Chrome		1	
16	477 253 192 G	Ornamental exhaust pipe Chrome		1	
16	477 253 191 C	Ornamental exhaust pipe		1	
16	477 253 191 F	Ornamental exhaust pipe Chrome		1	
16	477 253 192 G	Ornamental exhaust pipe Chrome		1	

Model: 944 85

Model life 1985>>1988



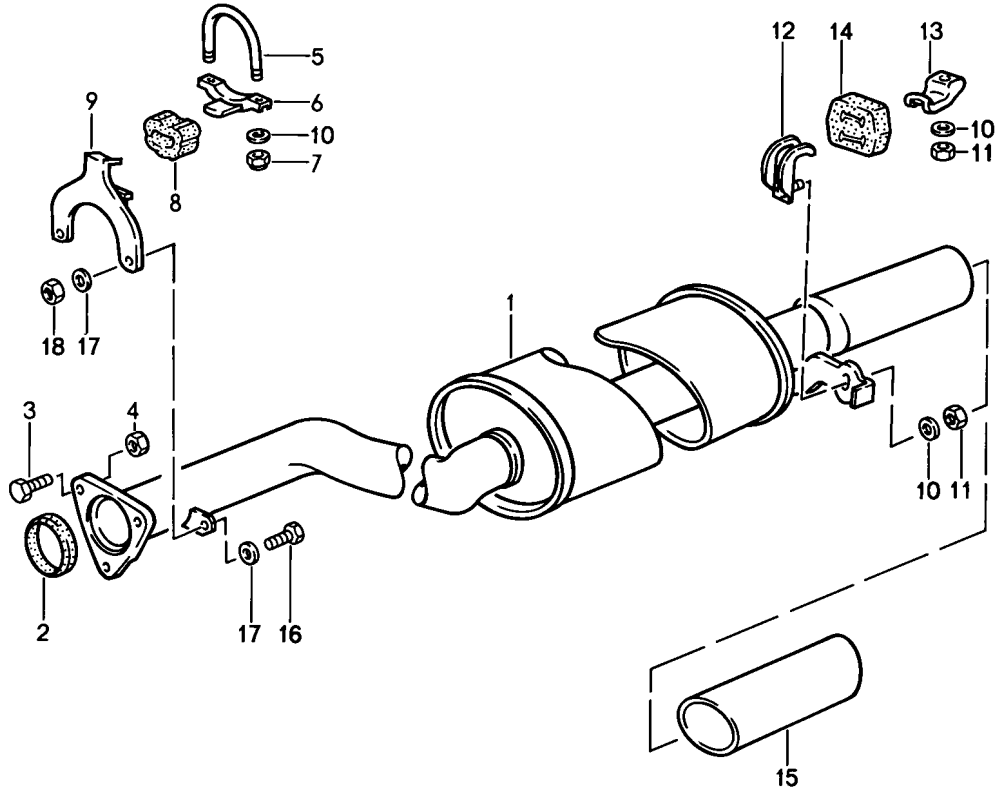
Model: 944 85

Model life 1985>>1988

Pos	Part Number	Description	Remark	Qty	Model
		Exhaust system Catalytic converter			M44.09/10
1	944 111 127 05	Exhaust manifold Cylinders 1 and 4		1	
2	944 111 129 04	Exhaust manifold Cyl. 2 and 3		1	
3	944 111 196 00	Gasket		4	
3	944 111 197 00	Gasket		4	
3	944 111 197 04	Gasket		4	
3	944 111 196 01	Gasket without asbestos		4	
4	999 062 044 02	Stud		8	
5	999 084 052 02	Lock nut M 8 X 30		14	
6	928 111 181 00	Washer		8	
7	944 111 135 01	Gasket		2	
7		Gasket without asbestos		2	
8	900 074 282 02	Screw M 8 X 37		6	
9	900 025 007 02	Washer		6	
9	900 025 007 03	Washer		6	
10	477 253 139	Clip		1	
10	477 253 139 00	Clip		1	
11	944 111 307 00	Support		1	
12	900 910 003 02	Lock nut		2	
12	900 910 003 04	Lock nut		2	
13	944 111 142 01	Rubber mounting		1	
14	931 111 061 02	Hook		1	
15	N 010 240 16	Hexagon-head bolt M 8 X 20		2	
16	900 076 025 02	Hexagon nut		2	
16	900 076 064 02	Hexagon nut		2	
17	944 111 987 03	Exhaust pipe		1	
18	944 111 981 00	Sleeve		1	
19	944 111 989 05	Catalytic converter		1	M44.09
19	944 111 989 06	Catalytic converter		1	M44.09
19	944 111 989 03	Catalytic converter	(CH)	1	M44.10
20	944 606 135 02	Oxygen sensor		1	
20	944 606 135 00	Oxygen sensor		1	(CAL)
22	944 111 175 03	Exhaust emission tube		1	
22	944 111 175 05	Exhaust emission tube		1	
23	944 111 177 02	Support		1	
24	944 111 279 01	Support		1	
25	999 512 160 02	Hose clamp		1	
25	PCG 512 160 02	Hose clamp		1	
26	034 133 335 D	Cap		1	
27	N 011 666 7	Washer		4	
28	999 072 005 09	Hexagon nut M 6 X 12		2	
28	999 072 005 01	Hexagon nut M 6 X 12		2	
29	900 076 010 02	Nut		2	
29	900 076 010 0B	Nut		2	

Model: 944 85

Model life 1985>>1988

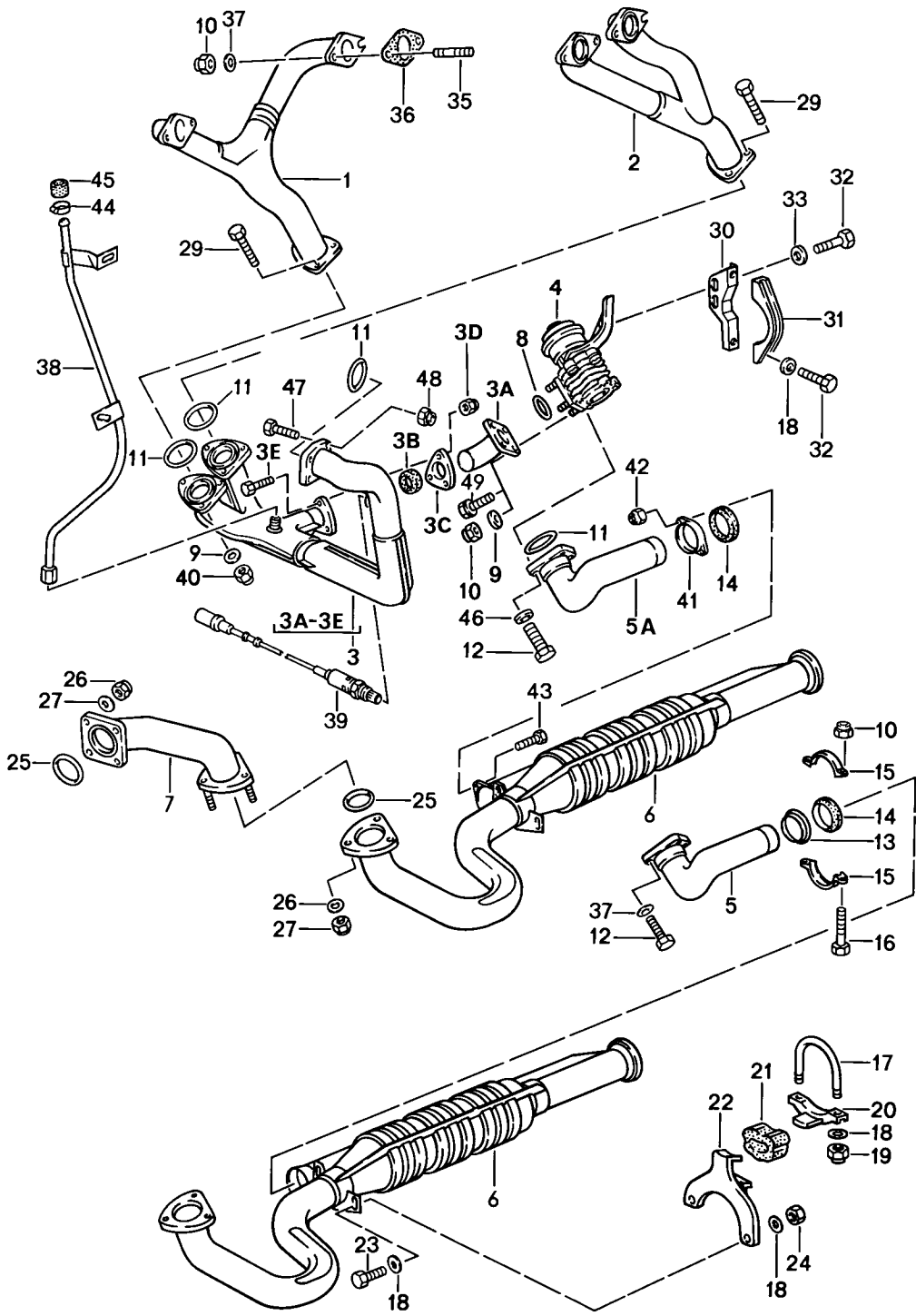


Model: 944 85 Model life 1985>>1988

Pos	Part Number	Description	Remark	Qty	Model
		Exhaust system			M44.09/10
		Rear muffler			
1	944 111 083 01	Rear muffler		1	M44.10
(1)	944 111 041 03	Rear muffler		1	M44.09
2	944 111 204 00	Sealing ring		1	M44.10
2	944 111 204 01	Sealing ring		1	M44.10
2	944 111 203 00	Sealing ring		1	M44.09
3	900 074 268 02	Hexagon-head bolt BM 8 X 40		3	
4	999 084 052 02	Lock nut		3	
5	477 253 139	Clip		1	
5	477 253 139 00	Clip		1	
6	944 111 307 00	Support		1	
7	900 910 003 02	Lock nut		2	
7	900 910 003 04	Lock nut		2	
8	944 111 142 01	Rubber mounting		1	
9	944 111 211 00	Hook		1	M44.09
9	931 111 061 02	Hook		1	M44.10
10	900 025 007 02	Washer		6	
10	900 025 007 03	Washer		6	
11	900 076 025 02	Hexagon nut		4	
11	900 076 064 02	Hexagon nut		4	
12	944 111 064 01	Hook		2	M44.09
12	931 111 264 01	Hook		2	M44.10
13	931 111 121 01	Hook		2	
14	928 111 259 02	Rubber mounting		2	
		Information available			
15	477 253 191 C	Ornamental exhaust pipe		1	
15	477 253 191 F	Ornamental exhaust pipe		1	
15	477 253 192 G	Ornamental exhaust pipe		1	
16	900 075 087 02	Hexagon-head bolt		2	M44.10
16	900 075 087 03	Hexagon-head bolt		2	M44.10
17	N 011 525 13	Washer		4	M44.10
18	900 076 025 02	Hexagon nut		2	M44.10
18	900 076 064 02	Hexagon nut		2	M44.10

Model: 944 85

Model life 1985>>1988



Model: 944 85 Model life 1985>>1988

Pos	Part Number	Description	Remark	Qty	Model
		Exhaust system			M44.50/51 M44.52
1	951 111 131 06	Catalytic converter See technical information Exhaust manifold Cylinders 1 and 4		1	
2	951 111 133 04	Exhaust manifold Cyl. 2 and 3		1	
3	951 111 096 15	Exhaust pipe		1	
3A	951 123 027 00	Exhaust pipe		1	
3B	930 123 134 04	Gasket		1	
3C	951 123 260 01	Flange		1	
3D	999 084 051 02	Lock nut		3	
3E	900 074 267 02	Hexagon-head bolt		3	
4	951 123 015 04	Wastegate		1	
5	951 123 040 05	Exhaust pipe F >>95GN1 50060		1	
5A	951 123 040 06	Exhaust pipe F 95GN1 50061>>		1	
6	951 111 094 11	Catalytic converter Use also: F >>95GN1 50060		1	
		951.123.040.06		1	
		951.123.138.01		1	
		900.910.096.02		2	
		900.074.234.02		2	
7	951 111 098 01	Exhaust pipe		1	
8	993 111 195 00	Sealing ring		1	
9	999 025 078 02	Washer		X	
10	999 084 052 02	Lock nut		10	
11	944 111 205 04	Sealing ring		4	
12	900 075 079 02	Hexagon-head bolt M 8 X 25		4	
13	951 123 139 00	Support washer		1	
14	951 123 134 02	Gasket		1	
14		Gasket without asbestos		1	
15	951 123 135 00	Clamp			
16	900 074 268 02	Hexagon-head bolt BM 8 X 40		2	
17	477 253 139	Clip		1	
17	477 253 139 00	Clip		1	
18	900 025 007 02	Washer		6	
18	900 025 007 03	Washer		6	
19	900 910 003 02	Lock nut		2	
19	900 910 003 04	Lock nut VM 8		2	
20	944 111 307 00	Support		1	
21	944 111 142 01	Rubber mounting		1	
22	951 111 061 01	Hook		1	
23	900 075 087 02	Hexagon-head bolt M 8 X 15		2	
23	900 075 087 03	Hexagon-head bolt M 8 X 15		2	
24	900 076 025 02	Hexagon nut		2	
24	900 076 064 02	Hexagon nut		2	
25	944 111 205 03	Sealing ring		2	
26	999 084 047 02	Lock nut		8	
27	900 025 008 09	Washer		8	
27	900 025 008 04	Washer		8	
28	900 074 284 02	Screw M 10 X 40		4	
29	900 074 268 02	Hexagon-head bolt		6	

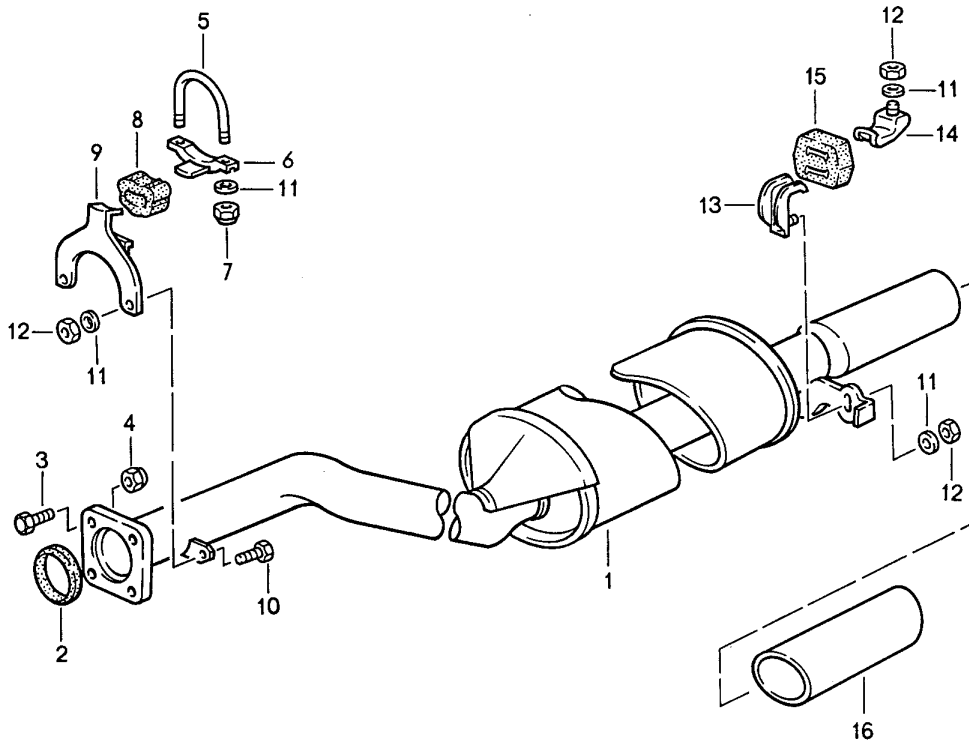
Model: 944 85

Model life 1985>>1988

Pos	Part Number	Description	Remark	Qty	Model
30	951 123 155 02	Support		1	
31	951 123 179 02	Clip		1	
32	900 075 085 02	Hexagon-head bolt M 8 X 20		2	
33	900 223 001 02	Washer		2	
34	900 075 085 02	Hexagon-head bolt M 8 X 20		2	
35	999 062 044 02	Stud		8	
36	944 111 196 00	Gasket		4	
36	944 111 197 00	Gasket		4	
36	944 111 197 04	Gasket		4	
36	944 111 196 01	Gasket without asbestos		4	
37	928 111 181 00	Washer		4	
38	951 111 175 02	Exhaust emission tube		1	
39	951 606 135 00	Oxygen sensor		1	
40	999 084 052 02	Lock nut		6	
41	951 123 138 01	Flange		1	
42	900 910 096 02	Lock nut M 6		2	
43	900 074 234 02	Hexagon-head bolt M 6 X 40		2	
44	999 512 160 02	Hose clamp		1	
44	PCG 512 160 02	Hose clamp		1	
45	034 133 335 D	Cap		1	
46	N 012 009 1	Lock ring		1	
47	N 010 020 2	Hexagon-head bolt M 10 X 38		4	
48	N 900 730 01	Lock nut		3	
48	N 900 730 0A	Lock nut		3	
49	900 075 420 02	Hexagon-head bolt		4	

Model: 944 85

Model life 1985>>1988

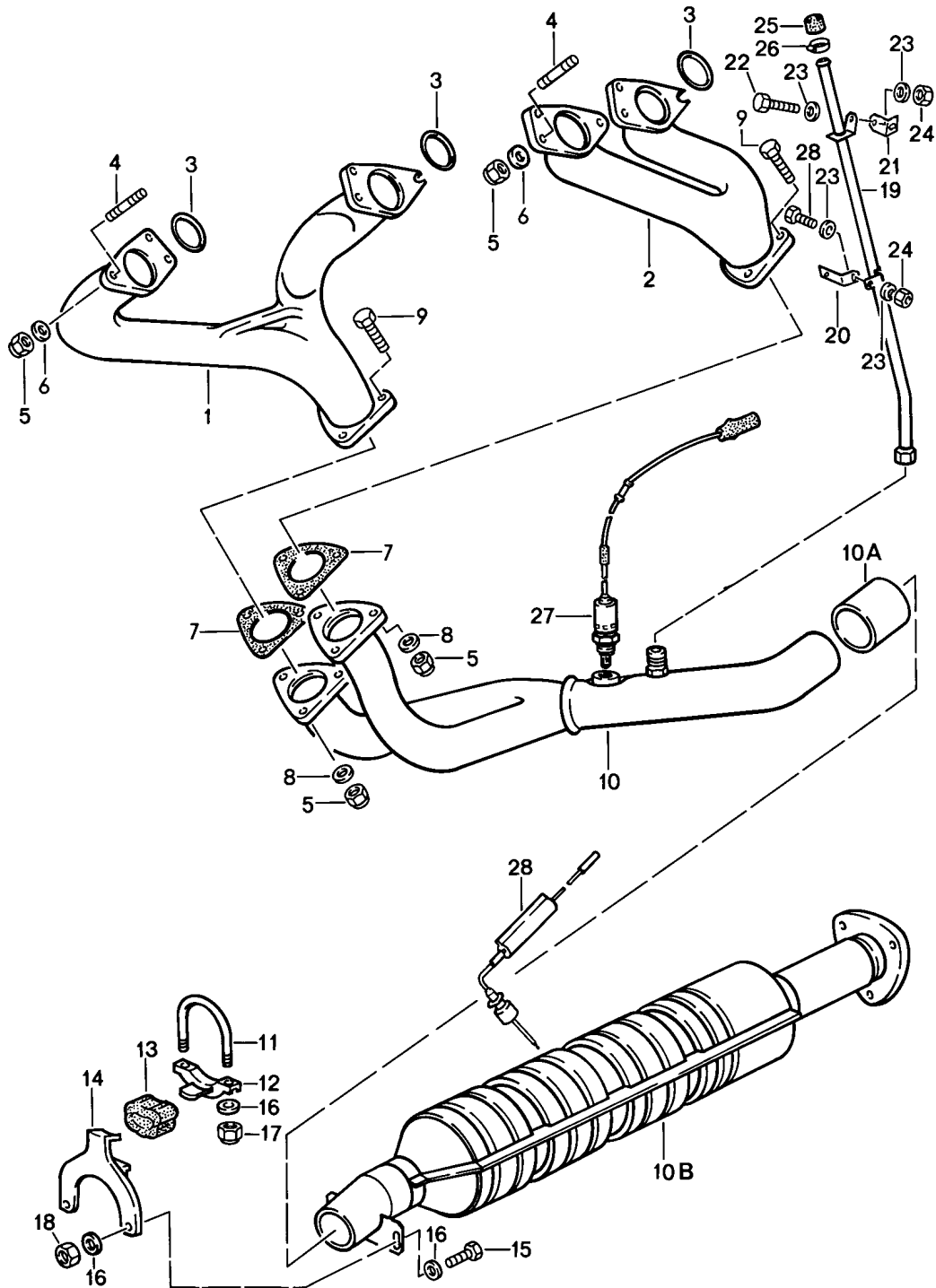


Model: 944 85 Model life 1985>>1988

Pos	Part Number	Description	Remark	Qty	Model
		Exhaust system			M44.50/51 M44.52
		Rear muffler			
1	951 111 083 01	Rear muffler		1	
2	928 111 244 03	Sealing ring		1	
3	N 010 020 2	Hexagon-head bolt M 10 X 38		4	
4	N 900 730 01	Lock nut M 10		4	
4	N 900 730 0A	Lock nut M 10		4	
5	477 253 139	Clip		1	
5	477 253 139 00	Clip		1	
6	944 111 307 00	Support		1	
7	900 910 003 02	Lock nut M 8		2	
7	900 910 003 04	Lock nut VM 8		2	
8	944 111 142 01	Rubber mounting		1	
9	931 111 061 02	Hook		1	
10	900 075 078 02	Hexagon-head bolt M 8 X 15		2	
10	900 075 078 03	Hexagon-head bolt M 8 X 15		2	
11	900 025 007 02	Washer		8	
11	900 025 007 03	Washer		8	
12	900 076 025 02	Hexagon nut M 8		8	
12	900 076 064 02	Hexagon nut M 8		8	
13	931 111 264 01	Hook		2	
14	931 111 121 01	Hook		2	
15	928 111 259 02	Rubber mounting		1	
		Information available			
16	477 253 191 C	Ornamental exhaust pipe		1	
16	477 253 191 F	Ornamental exhaust pipe Chrome		1	
16	477 253 192 G	Ornamental exhaust pipe Chrome		1	

Model: 944 85

Model life 1985>>1988



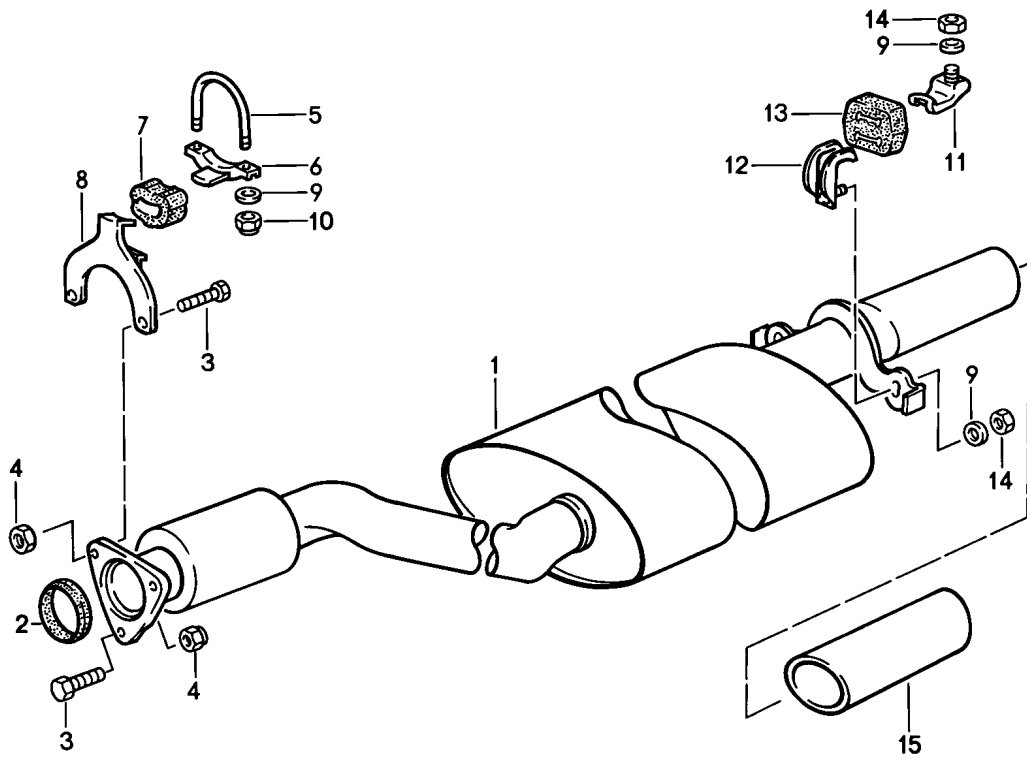
Model: 944 85

Model life 1985>>1988

Pos	Part Number	Description	Remark	Qty	Model
		Exhaust system			M44.40
		Catalytic converter			
1	944 111 183 03	Exhaust manifold Cylinders 1 and 4		1	
2	944 111 184 02	Exhaust manifold Cyl. 2 and 3		1	
3	944 111 205 00	Sealing ring		4	
4	999 062 139 02	Stud		12	
5	999 084 052 02	Lock nut M 8		18	
6	928 111 181 00	Washer		12	
7	944 111 135 01	Gasket		2	
7		Gasket without asbestos		2	
8	999 025 078 02	Washer A 8,4		6	
9	900 074 282 02	Screw M 8 X 37		6	
10	944 111 987 07	Exhaust pipe		1	
10A	944 111 981 01	Sleeve		1	
10B	944 111 989 04	Catalytic converter		1	
11	477 253 139	Clip		1	
11	477 253 139 00	Clip		1	
12	944 111 307 00	Support		1	
13	944 111 142 01	Rubber mounting		1	
14	931 111 061 02	Hook		1	
15	900 075 087 02	Hexagon-head bolt M 8 X 15		2	
15	900 075 087 03	Hexagon-head bolt M 8 X 15		2	
16	900 025 007 02	Washer A 8,4		4	
16	900 025 007 03	Washer A 8,4		4	
17	900 910 003 02	Lock nut VM 8		2	
17	900 910 003 04	Lock nut VM 8		2	
18	900 076 025 02	Hexagon nut M 8		2	
18	900 076 064 02	Hexagon nut M 8		2	
19	944 111 275 02	Exhaust emission tube		1	
19		Exhaust emission tube		1	
20	944 111 177 02	Support		1	
21	944 111 279 01	Support		1	
22	999 072 005 09	Hexagon nut M 6 X 12		2	
22	999 072 005 01	Hexagon nut M 6 X 12		2	
23	N 011 666 7	Washer B 6,4		4	
24	900 076 010 02	Nut M 6		2	
24	900 076 010 0B	Nut M 6		2	
25	034 133 335 D	Cap		1	
26	999 512 160 02	Hose clamp		1	
26	PCG 512 160 02	Hose clamp		1	
27	944 606 135 02	Oxygen sensor		1	
27	944 606 135 00	Oxygen sensor		1	(CAL)

Model: 944 85

Model life 1985>>1988

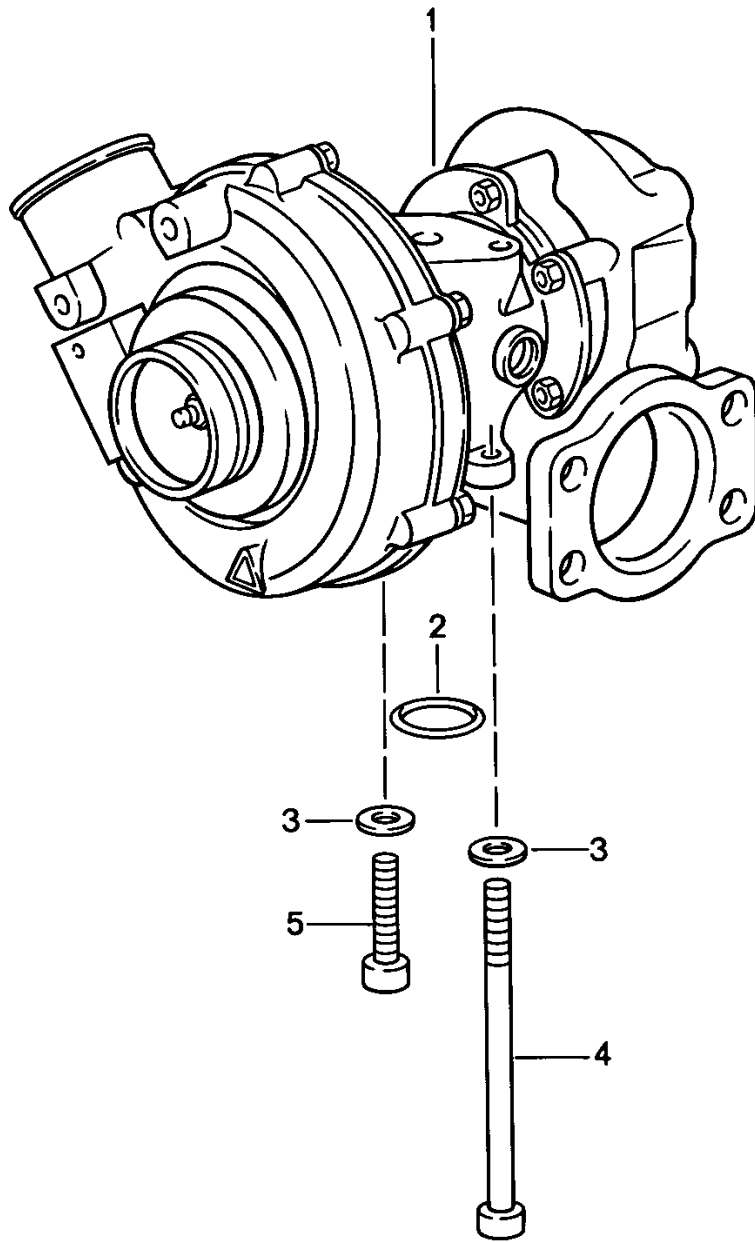


Model: 944 85 Model life 1985>>1988

Pos	Part Number	Description	Remark	Qty	Model
		Exhaust system			M44.40
		Rear muffler			
1	944 111 041 03	Rear muffler		1	
2	944 111 204 00	Sealing ring		1	
2	944 111 204 01	Sealing ring		1	
3	900 074 268 02	Hexagon-head bolt BM 8 X 40		3	
4	999 084 052 02	Lock nut M 8		3	
5	477 253 139	Clip		1	
5	477 253 139 00	Clip		1	
6	944 111 307 00	Support		1	
7	944 111 142 01	Rubber mounting		1	
8	944 111 211 00	Hook		1	
9	900 025 007 02	Washer A 8,4		6	
9	900 025 007 03	Washer A 8,4		6	
10	900 910 003 02	Lock nut VM 8		2	
10	900 910 003 04	Lock nut VM 8		2	
11	931 111 121 01	Hook		2	
12	944 111 064 01	Hook		2	
13	928 111 259 02	Rubber mounting Information available		2	
14	900 076 025 02	Hexagon nut M 8		4	
14	900 076 064 02	Hexagon nut M 8		4	
15	477 253 191 C	Ornamental exhaust pipe		1	
15	477 253 191 F	Ornamental exhaust pipe		1	
15	477 253 192 G	Ornamental exhaust pipe Chrome		1	

Model: 944 85

Model life 1985>>1988



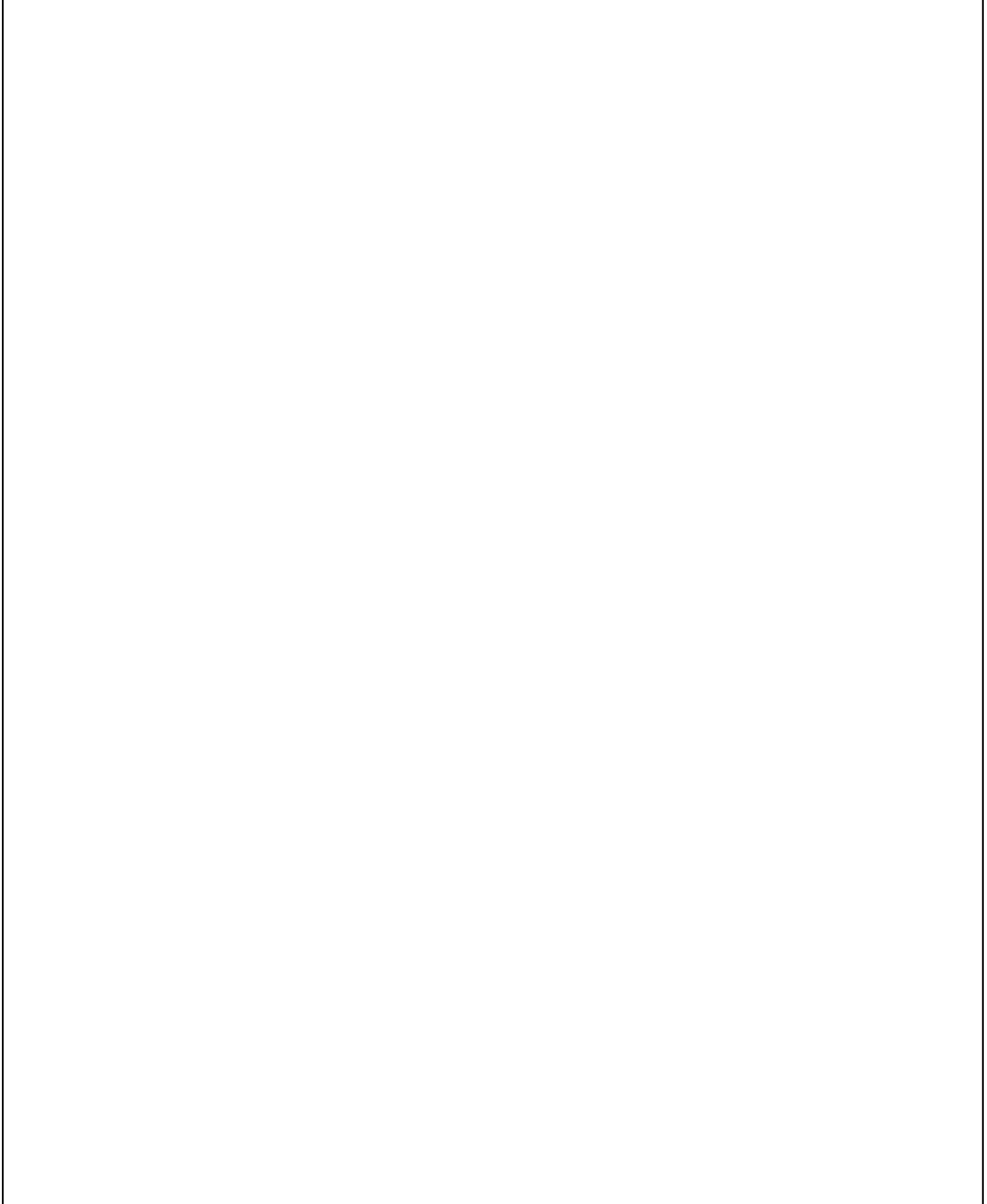
Model: 944 85

Model life 1985>>1988

Pos	Part Number	Description	Remark	Qty	Model
		Turbocharger See q-information Group 2 3/87			M44.50/51/52
1	951 123 131 02	Turbocharger		1	M44.50/51
1	951 123 131 BX	Turbocharger		1	M44.50/51
1	951 123 131 03	Turbocharger		1	M44.52
1		Turbocharger		1	M758
1	951 123 131 05	Turbocharger		1	M44.52
1	951 123 131 EX	Turbocharger		1	M44.52
2	900 174 058 40	Round seal		1	
3	900 025 007 02	Washer		2	
3	900 025 007 03	Washer		2	
4	N 044 721 1	Pan-head screw M 8 X 125		1	
5	900 067 214 02	Pan-head screw M 8 X 35		1	
5	900 067 214 01	Pan-head screw M 8 X 35		1	
-	900 081 052 02	Stud M 10 X 25		4	

Model: 944 85

Model life 1985>>1988



Model: 944 85 Model life 1985>>1988

Pos	Part Number	Description	Remark	Qty	Model
>>	951 123 901 00	Repair kits Gasket set for Turbocharger without Mounting parts Comprising:		1	M44.51
-	900 123 019 30	Sealing ring		2	
-	999 707 043 40	O-ring		1	
-	900 174 058 40	Round seal		1	
-	944 111 205 03	Sealing ring		2	
-	944 111 205 04	Sealing ring		1	
-	900 123 019 30	Sealing ring		1	
>>	944 111 901 00	Set of fastening parts		1	M44.05/08 M44.10
		Catalytic converter Comprising:			
-	944 111 135 01	Gasket		2	
-	900 074 287 02	Hexagon-head bolt		9	
-	N 022 008 4	Lock nut		9	
-	900 910 097 02	Lock nut		6	
-	900 025 007 02	Washer		8	
-	900 025 007 03	Washer		8	
-	944 111 142 01	Rubber mounting		2	
-	N 010 240 16	Hexagon-head bolt		2	
-	900 076 025 02	Hexagon nut		2	
-	900 076 064 02	Hexagon nut		2	
-	944 111 981 00	Sleeve		1	
-	931 111 061 02	Hook		1	
-	944 111 203 00	Sealing ring		1	
-	928 111 259 02	Rubber mounting		2	
		Information available			
-	930 113 153 00	Cap		1	
>>	944 111 901 01	Set of fastening parts		1	-08 M44.05 M44.10
		for Rear muffler Comprising:			
-	944 111 203 00	Sealing ring		1	
-	900 074 287 02	Hexagon-head bolt		3	
-	N 022 008 4	Lock nut		3	
-	900 910 097 02	Lock nut		3	
-	944 111 142 01	Rubber mounting		2	
-	944 111 142 02	Rubber mounting		2	
-	944 111 142 03	Rubber mounting		2	
-	N 010 240 16	Hexagon-head bolt		2	
-	900 025 007 02	Washer		4	
-	900 025 007 03	Washer		4	
-	900 076 025 02	Hexagon nut		4	
-	900 076 064 02	Hexagon nut		4	
-	928 111 259 02	Rubber mounting		2	
		Information available			
-	477 253 191 C	Ornamental exhaust pipe		1	
-	477 253 191 F	Ornamental exhaust pipe		1	
-	477 253 192 G	Ornamental exhaust pipe Chrome		1	
-	931 111 061 02	Hook		1	
-	931 111 264 01	Hook		2	
>>	944 111 901 02	Set of fastening parts		1	-08 M44.05 M44.10
		for			

Model: 944 85 Model life 1985>>1988

Pos	Part Number	Description	Remark	Qty	Model
		Front muffler			
		And			
		Rear muffler			
		Comprising:			
-	944 111 135 01	Gasket		2	
-	900 074 287 02	Hexagon-head bolt		9	
-	N 022 008 4	Lock nut		9	
-	900 910 097 02	Lock nut		9	
-	900 025 007 02	Washer		12	
-	900 025 007 03	Washer		12	
-	N 010 240 16	Hexagon-head bolt		4	
-	900 076 025 02	Hexagon nut		6	
-	900 076 064 02	Hexagon nut		6	
-	477 253 140 A	Bearing		2	
-	928 111 259 02	Rubber mounting		2	
		Information available			
-	477 253 191 C	Ornamental exhaust pipe		1	
-	477 253 191 F	Ornamental exhaust pipe		1	
-	477 253 192 G	Ornamental exhaust pipe		1	
		Chrome			
-	931 111 061 02	Hook		2	
-	931 111 264 01	Hook		2	
-	930 113 153 00	Cap		1	
-	944 111 981 00	Sleeve		1	
-	944 111 203 00	Sealing ring		1	
>>	944 111 901 03	Set of fastening parts for Catalytic converter Comprising:		1	M44.09/40
-	944 111 135 01	Gasket		2	
-	900 074 282 02	Screw		6	
-	900 074 268 02	Hexagon-head bolt		3	
-	999 084 052 02	Lock nut		9	
-	944 111 142 01	Rubber mounting		2	
-	944 111 142 02	Rubber mounting		2	
-	944 111 142 03	Rubber mounting		2	
-	928 111 259 02	Rubber mounting		2	
		Information available			
-	900 025 007 02	Washer		2	
-	900 025 007 03	Washer		2	
-	900 076 025 02	Hexagon nut		2	
-	900 076 064 02	Hexagon nut		2	
-	N 010 240 16	Hexagon-head bolt		2	
>>	944 111 901 04	Set of fastening parts for Comprising:		1	M44.09/40
-	900 074 268 02	Rear muffler		3	
-	999 084 052 02	Hexagon-head bolt		3	
-	944 111 142 01	Lock nut		3	
-	944 111 142 02	Rubber mounting		2	
-	944 111 142 03	Rubber mounting		2	
-	944 111 142 03	Rubber mounting		2	
-	928 111 259 02	Rubber mounting		2	
		Information available			
-	900 025 007 02	Washer		2	
-	900 025 007 03	Washer		2	
-	900 076 025 02	Hexagon nut		2	
-	900 076 064 02	Hexagon nut		2	
-	477 253 191 C	Ornamental exhaust pipe		1	
-	477 253 191 F	Ornamental exhaust pipe		1	
-	477 253 192 G	Ornamental exhaust pipe		1	
		Chrome			
>>	944 111 901 05	Set of fastening parts		1	

Model: 944 85 Model life 1985>>1988

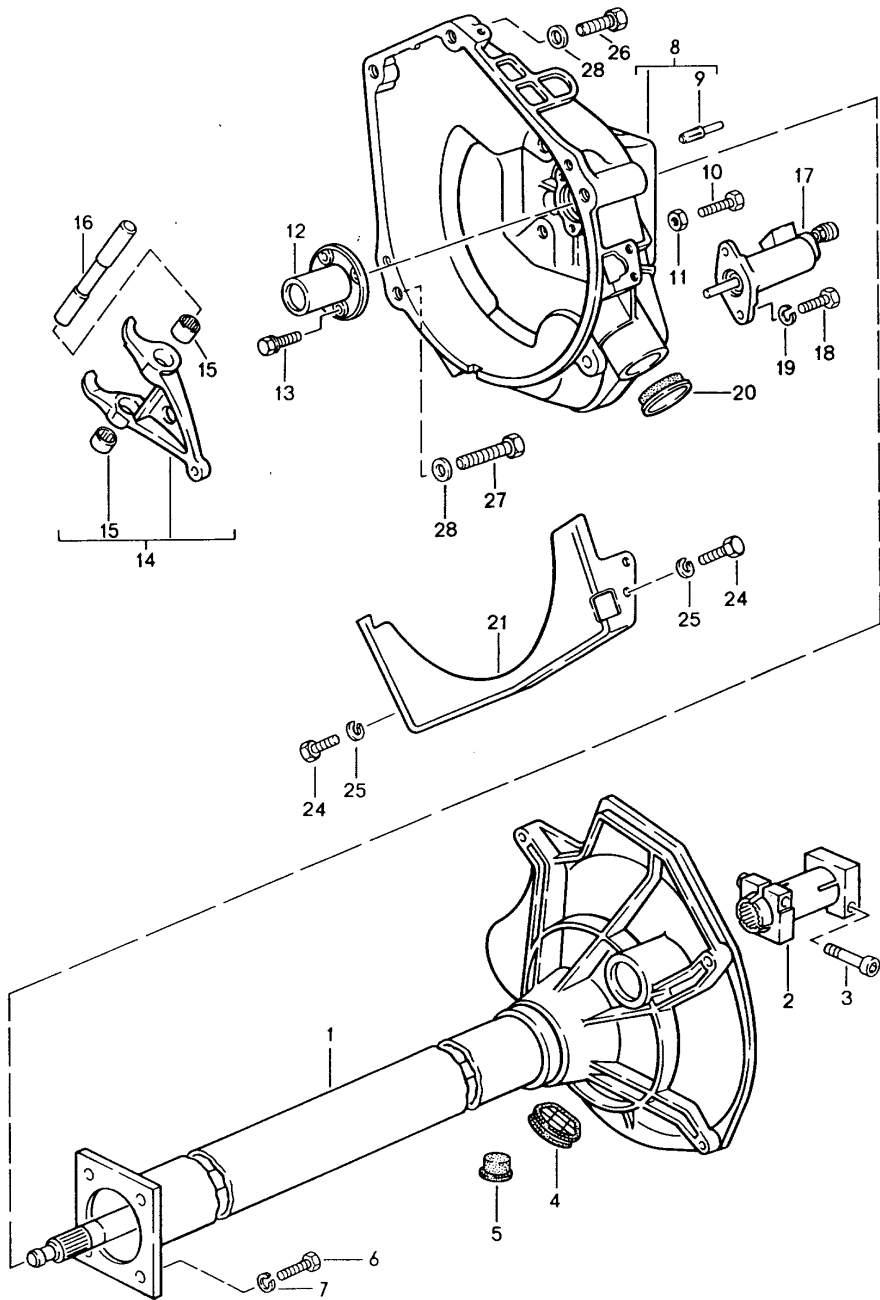
Pos	Part Number	Description	Remark	Qty	Model
		for Front muffler And Rear muffler Comprising:			
-	944 111 135 01	Gasket		2	
-	900 074 282 02	Screw		6	
-	900 074 268 02	Hexagon-head bolt		3	
-	999 084 052 02	Lock nut		9	
-	944 111 142 01	Rubber mounting		2	
-	944 111 142 02	Rubber mounting		2	
-	944 111 142 03	Rubber mounting		2	
-	928 111 259 02	Rubber mounting		2	
		Information available			
-	900 025 007 02	Washer		4	
-	900 025 007 03	Washer		4	
-	900 076 025 02	Hexagon nut		4	
-	900 076 064 02	Hexagon nut		4	
-	N 010 240 16	Hexagon-head bolt		2	
-	477 253 191 C	Ornamental exhaust pipe		1	
-	477 253 191 F	Ornamental exhaust pipe		1	
-	477 253 192 G	Ornamental exhaust pipe		1	
		Chrome			
>>	951 111 901 03	Parts kit Catalytic converter F >>95GN1 00060 F >>95GN1 50060 for first repair only Comprising:		1	M44.50/51
-	951 123 040 06	Exhaust pipe		1	
-	944 111 205 04	Sealing ring		1	
-	900 075 079 02	Hexagon-head bolt		4	
-	951 123 138 01	Flange		1	
-	928 111 181 00	Washer		4	
>>	951 111 901 00	Set of fastening parts		1	M44.50/51 M44.52
		for Catalytic converter Comprising:			
-	900 910 096 02	Lock nut		2	
-	951 123 134 02	Gasket		1	
-	900 074 234 02	Hexagon-head bolt		2	
-	900 025 007 02	Washer		4	
-	900 025 007 03	Washer		4	
-	944 111 142 01	Rubber mounting		2	
-	944 111 142 02	Rubber mounting		2	
-	944 111 142 03	Rubber mounting		2	
-	951 111 061 01	Hook		1	
-	900 075 087 02	Hexagon-head bolt		2	
-	900 075 087 03	Hexagon-head bolt		2	
-	900 076 025 02	Hexagon nut		2	
-	900 076 064 02	Hexagon nut		2	
-	944 111 205 03	Sealing ring		1	
-	999 084 047 02	Lock nut		3	
-	900 025 008 09	Washer		3	
-	900 025 008 04	Washer		3	
-	928 111 244 03	Sealing ring		1	
-	N 010 020 2	Hexagon-head bolt		4	
		M 10 X 38			
-	N 900 730 01	Lock nut		4	
-	N 900 730 0A	Lock nut		4	
-	928 111 259 02	Rubber mounting		2	
		Information available			

Model: 944 85 Model life 1985>>1988

Pos	Part Number	Description	Remark	Qty	Model
>>	951 111 901 01	Set of fastening parts for Rear muffler Comprising:		1	
-	928 111 244 03	Sealing ring		1	
-	N 010 020 2	Hexagon-head bolt M 10 X 38		4	
-	N 900 730 01	Lock nut		4	
-	N 900 730 0A	Lock nut		4	
-	944 111 142 01	Rubber mounting		2	
-	944 111 142 02	Rubber mounting		2	
-	944 111 142 03	Rubber mounting		2	
-	900 075 087 02	Hexagon-head bolt		2	
-	900 075 087 03	Hexagon-head bolt		2	
-	900 025 007 02	Washer		4	
-	900 025 007 03	Washer		4	
-	900 076 025 02	Hexagon nut		4	
-	900 076 064 02	Hexagon nut		4	
-	928 111 259 02	Rubber mounting Information available		2	
-	477 253 191 C	Ornamental exhaust pipe		1	
-	477 253 191 F	Ornamental exhaust pipe		1	
-	477 253 192 G	Ornamental exhaust pipe Chrome		1	
-	931 111 061 02	Hook		1	
-	931 111 264 01	Hook		2	
>>	951 111 901 02	Set of fastening parts for Front muffler And Rear muffler		1	M44.50/51 M44.52
-	900 910 096 02	Lock nut		2	
-	951 123 134 02	Gasket		1	
-	900 074 234 02	Hexagon-head bolt		2	
-	900 025 007 02	Washer		8	
-	900 025 007 03	Washer		8	
-	944 111 142 01	Rubber mounting		2	
-	944 111 142 02	Rubber mounting		2	
-	944 111 142 03	Rubber mounting		2	
-	951 111 061 01	Hook		1	
-	900 075 087 02	Hexagon-head bolt		4	
-	900 075 087 03	Hexagon-head bolt		4	
-	900 076 025 02	Hexagon nut		6	
-	900 076 064 02	Hexagon nut		6	
-	944 111 205 03	Sealing ring		1	
-	999 084 047 02	Lock nut		3	
-	900 025 008 09	Washer		3	
-	900 025 008 04	Washer		3	
-	928 111 244 03	Sealing ring		1	
-	N 010 020 2	Hexagon-head bolt M 10 X 38		4	
-	N 900 730 01	Lock nut		4	
-	N 900 730 0A	Lock nut		4	
-	928 111 259 02	Rubber mounting Information available		2	
-	477 253 191 C	Ornamental exhaust pipe		1	
-	477 253 191 F	Ornamental exhaust pipe		1	
-	477 253 192 G	Ornamental exhaust pipe Chrome		1	
-	931 111 061 02	Hook		2	
-	931 111 264 01	Hook		1	

Model: 944 85

Model life 1985>>1988



Model: 944 85 Model life 1985>>1988

Pos	Part Number	Description	Remark	Qty	Model
1	944 421 012 02	Central tube Manual transmission Central tube Ready for installation		1	
2	922 421 051 02	Clamping sleeve		1	
2	922 421 051 03	Clamping sleeve		1	
2	922 421 051 02	Clamping sleeve		1	
2	922 421 051 03	Clamping sleeve		1	
3	931 421 240 00	Clamping screw		4	
4	477 521 277 C	Cap		1	
5	477 521 177	Cap		1	
6	N 010 275 4	Hexagon-head bolt M 10 X 35		4	
7	N 012 028 1	Lock ring 10		4	
8	944 116 043 06	Clutch housing	-86	1	944
8		Clutch housing	87	1	944
8		Clutch housing		1	944
8	951 116 043 00	Clutch housing	86	1	TURBO
8	951 116 043 02	Clutch housing	87	1	TURBO
8		Clutch housing		1	TURBO
9	N 012 690 1	Grooved pin 10 X 32		3	
10	N 010 221 3	Hexagon-head bolt M 6 X 35		1	
11	900 076 010 02	Nut M 6		1	
11	900 076 010 0B	Nut M 6		1	
12	016 141 181	Guide sleeve		1	
13	N 090 194 2	Hexagon-head bolt M 7 X 16		3	
14	931 116 085 00	Clutch release lever		1	944
14	931 116 085 02	Clutch release lever		1	944
14	951 116 085 00	Clutch release lever		1	TURBO
15	999 201 213 00	Needle sleeve		2	
16	951 116 133 00	Clutch control shaft		1	
17	944 116 237 00	Clutch operating cylinder		1	
-	928 116 901 00	Repair kit Clutch operating cylinder		1	
18	N 010 233 6	Hexagon-head bolt M 8 X 28		2	
18	900 075 136 03	Hexagon-head bolt M 8 X 28		2	
19	900 027 015 02	Lock ring B 8		2	
19	900 027 015 03	Lock ring B 8		2	
20	931 116 177 00	Cap		1	
21	944 116 093 01	Protective plate		1	
24	900 075 040 02	Hexagon-head bolt M 10 X 20		2	
24	900 075 517 01	Hexagon-head bolt M 10 X 20		2	
25	N 012 028 1	Lock ring A 10		2	
26	N 010 142 2	Hexagon-head bolt M 12 X 50		2	
27	N 010 191 2	Hexagon-head bolt M 12 X 95		2	
27	900 082 142 01	Hexagon-head bolt M 12 X 95		2	
28	N 011 531 7	Washer		4	

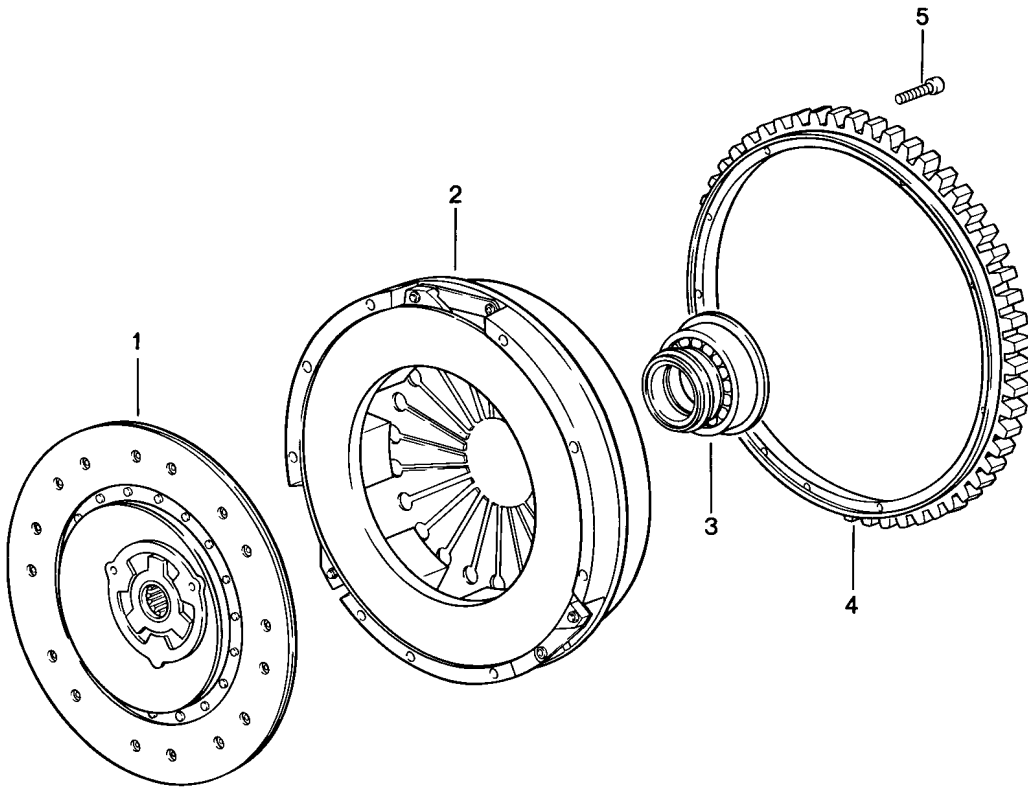
Model: 944 85

Model life 1985>>1988

Pos	Part Number	Description	Remark	Qty	Model
		A 13			

Model: 944 85

Model life 1985>>1988

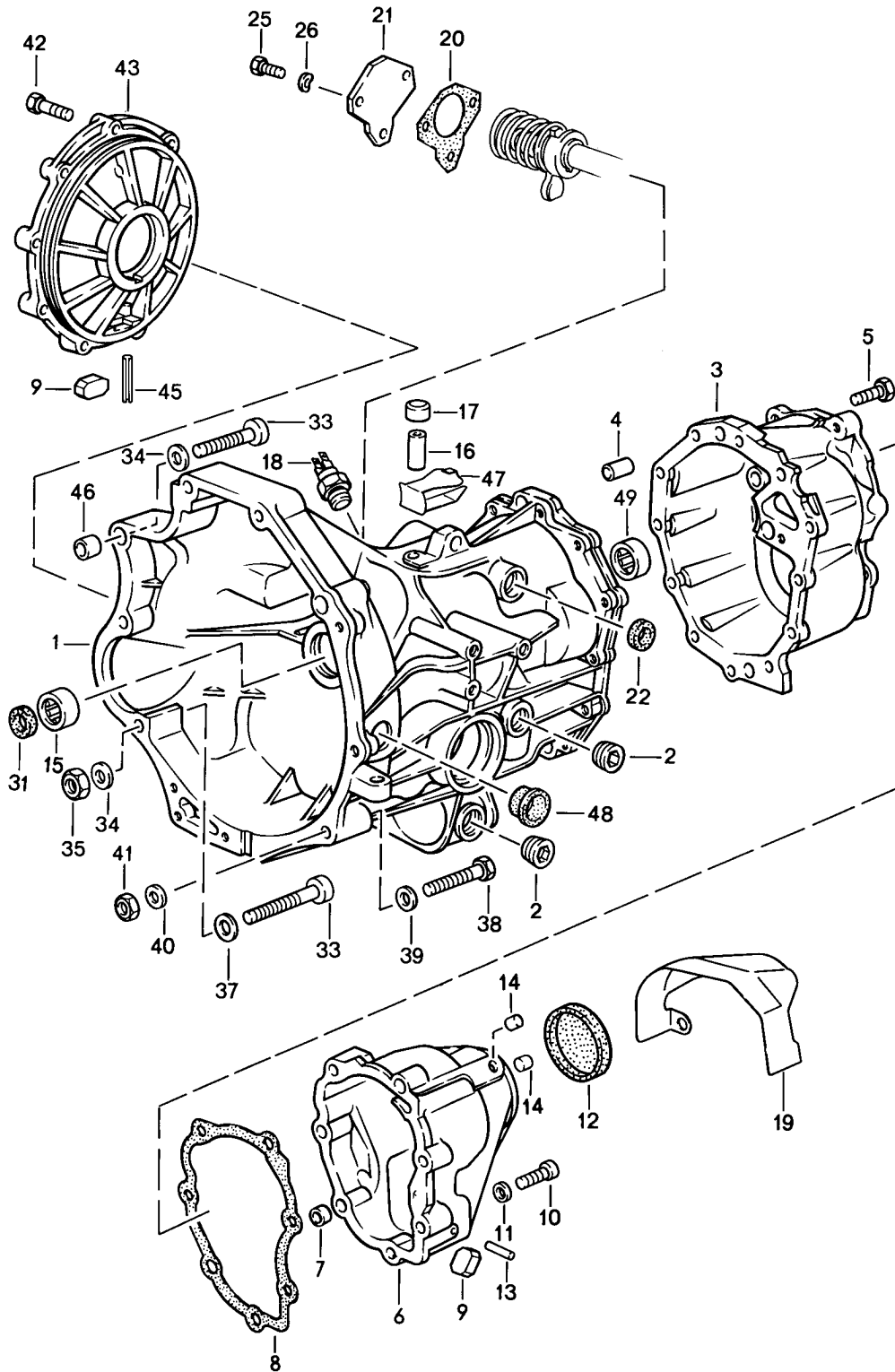


Model: 944 85 Model life 1985>>1988

Pos	Part Number	Description	Remark	Qty	Model
1	944 116 011 02	Clutch Clutch plate		1	M44.05/07/09 M44.40
		Attention Set Use 94411691101			
1	951 116 011 15	Clutch plate		1	M44.50/51 M44.52
		without asbestos			
1	951 116 011 18	Clutch plate		1	M44.50/51 M44.52
		without asbestos			
2	944 116 023 01	Pressure plate		1	M44.05/07/09
2	951 116 023 01	Pressure plate		1	M44.50/51 M44.52
2	944 116 023 07	Pressure plate		1	M44.40
3	931 116 082 04	Clutch release bearing		1	M44.05/07/09 M44.40
3	951 116 082 01	Clutch release bearing		1	M44.50/51
4	944 116 239 03	Starter ring		1	M44.05/07/09 M44.09/40
4	951 116 239 00	Starter ring		1	M44.50/51
5	900 067 020 02	Pan-head screw		9	M44.05/07 M44.09/40
		M 8 X 50			
5	900 067 362 01	Pan-head screw		9	M44.05/07 M44.09/40
		M 8 X 50			
5	999 510 012 02	Pan-head screw		9	M44.50/51
		M 8 X 50			
-	951 116 911 00	Repair kit for Clutch POSITION 1+2+3		1	M44.50/51/52
-	944 116 911 00	Repair kit for Clutch POSITION 1+2+3		1	M44.05/07/09 M44.40
-	944 116 911 01	Repair kit for Clutch POSITION 1+2+3		1	M44.05/07/09 M44.40

Model: 944 85

Model life 1985>>1988



Model: 944 85 Model life 1985>>1988

Pos	Part Number	Description	Remark	Qty	Model
		Replacement transmission Transmission case Manual transmission			
-	016 300 049 S	Replacement transmission		1	5Y 944
-	016 300 046 M	Replacement transmission with Limited-slip differential		1	5Z 944
-	016 300 046 N	Replacement transmission		1	5S 944
-	016 300 046 NX	Manual transmission		1	5S 944
-	016 300 046 Q	Replacement transmission with Limited-slip differential		1	7V 944
-	016 300 047	Replacement transmission		1	5P TURBO
-	016 300 049 R	Replacement transmission with Limited-slip differential		1	5R TURBO
-		Replacement transmission with Limited-slip differential		1	AOR TURBO S
-	016 300 047 B	Replacement transmission		1	UY TURBO
-	016 300 047 C	Replacement transmission with Limited-slip differential		1	9U TURBO
-	016 300 048 F	Replacement transmission		1	AGP 944 S
-	016 300 048 G	Replacement transmission with Limited-slip differential		1	AGR 944 S
1	016 301 103 AF	Transmission case		1	5Y 5S 5Z 7V
1	016 301 103 AH	Transmission case		1	5P 5R UY 9U AOR AGR AGP
2	111 301 127 E	Screw plug M 24 X 1,5		2	
2	WHT 001 937	Screw plug M 24 X 1,5		2	
3	016 301 211 F	Transmission cover G >> 5Z 28 08 6 G >> 7V 28 08 6		1	5Y 5S 5Z 7V
3	016 301 211 M	End plate G 5Z 29 08 6 >> G 7V 29 08 6 >> See TPI GR.3 NR.1		1	5Y 5S 5Z 7V
3	016 301 211 N	Transmission cover G >> 5P 29 03 7 G >> 5R 29 03 7 G >> UY 29 03 7 G >> 9U 29 03 7 G >>AGP 29 03 7 G >>AGR 29 03 7		1	5P 5R UY 9U AGP AGR
3		Transmission cover G 5P 30 03 7 >> G 5R 30 03 7 >> G UY 30 03 7 >> G 9U 30 03 7 >> G AGP 30 03 7>> G AGR 30 03 7>> See TPI GR.3 NR.1		1	5P 5R UY 9U AGR AGP AOR
4	014 301 473	Sleeve		2	
4	0A2 301 473	Sleeve		2	

Model: 944 85 Model life 1985>>1988

Pos	Part Number	Description	Remark	Qty	Model
5	N 010 332 4	Hexagon-head bolt M 8 X 32		12	
6	016 301 231 F	Lid		1	5Y 5S 5Z 7V UY 9U AGP AGR 5P 5R AOR
6	016 301 231 AA	Lid Use also: 2X 019.301.115		1	
7	016 301 299	Dowel sleeve		2	
7	016 301 299 A	Dowel sleeve		2	
8	016 301 235 C	Gasket		1	
9	084 301 143 A	Magnet		2	
10	N 014 715 1	Pan-head screw M 8 X 45		7	
11	900 025 007 02	Washer 8,4		5	
11	900 025 007 03	Washer 8,4		5	
12	088 301 467 B	Lid		1	5Y 5S 5Z 7V
12	088 301 467 D	Lid		1	5Y 5S 5Z 7V
12	014 301 467 2	Transmission cover		1	5Y 5S 5Z 7V
(12)	016 301 467	Lid		1	5P 5R 9U AGP AGR AOR
13	N 013 371 1	Straight pin 6 M 6 X 24		1	
14	019 301 115	Stopper		2	
15	083 311 123	Needle sleeve		1	
	083 311 123 TPP				
16	014 301 473	Sleeve		1	
16	0A2 301 473	Sleeve		1	
17	014 301 485	Cap		1	
18	084 941 521	Switch		1	
19	477 599 181 A	Protective plate		1	
20	016 301 455 A	Gasket		1	
21	016 301 453 B	Lid		1	
22	928 303 120 01	Shaft sealing ring		1	
25	900 075 193 08	Hexagon-head bolt M 6 X 16		3	
26	N 012 226 5	Spring washer B 6		3	
31	016 311 113 C	Radial shaft seal		1	
32	N 090 194 2	Hexagon-head bolt M 7 X 16		3	
33	900 067 268 02	Pan-head screw M 12 X 80		3	
34	900 028 014 02	Washer B 12		3	
34	900 028 014 03	Washer B 12		3	
35	N 011 020 8	Hexagon nut M 12		1	
35	900 034 036 01	Hexagon nut M 12		1	
37	900 025 009 02	Washer A 13		4	
38	900 074 064 02	Hexagon-head bolt M 10 X 60		1	
38	900 074 377 01	Hexagon-head bolt M 10 X 60		1	
39	900 025 008 09	Washer A 10,5		1	
39	900 025 008 04	Washer A 10,5		1	

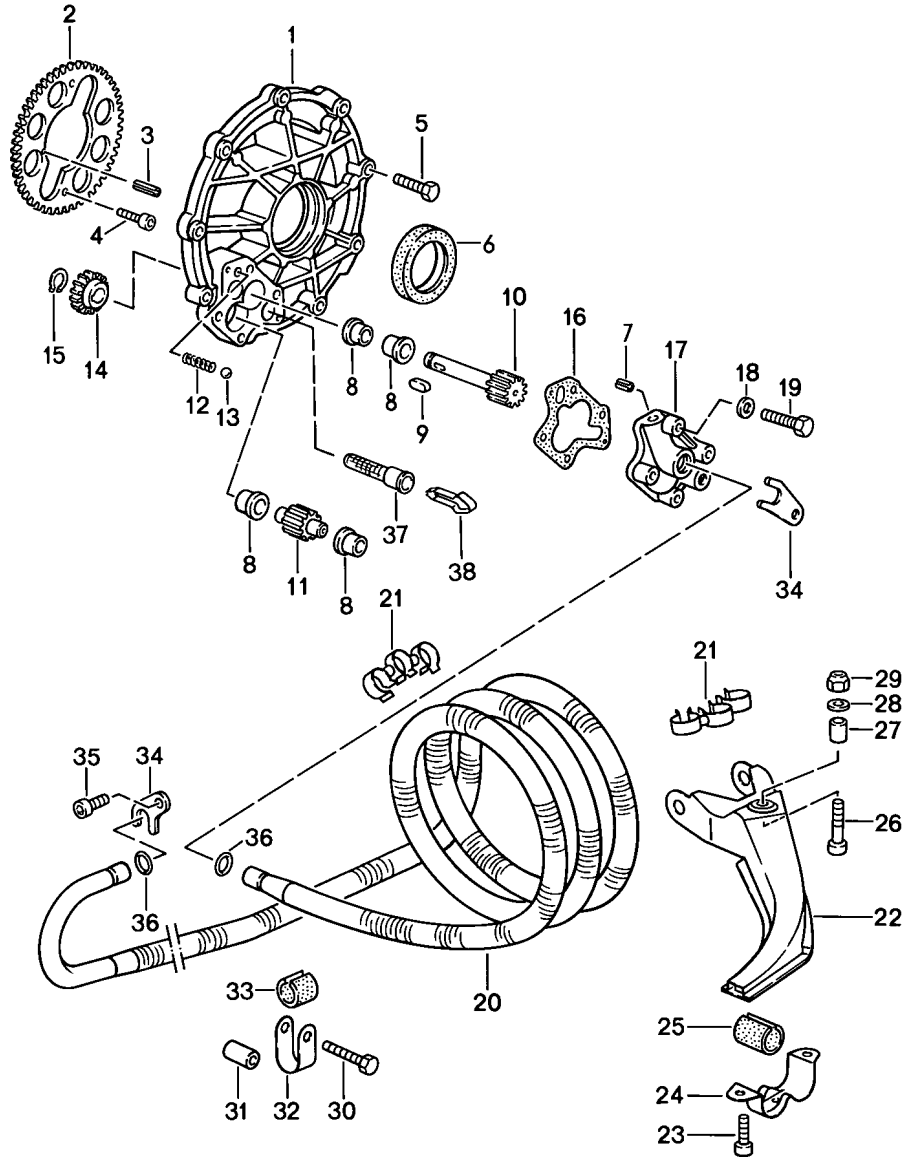
Model: 944 85

Model life 1985>>1988

Pos	Part Number	Description	Remark	Qty	Model
40	N 012 230 6	Spring washer B 10		1	
41	N 011 010 13	Hexagon nut M 10		1	
42	N 090 191 1	Hexagon-head bolt M 8 X 35		9	
43	088 409 131 C	Transmission cover		1	5Y 5S 5Z 7V UY 9U AGP AGR
43	016 409 131 B	Transmission cover		1	5P 5R AOR
45	N 013 291 1	Tensioning sleeve 4 X 28		1	
46	019 301 153	Dowel sleeve		2	
47	016 301 349	Cover plate		1	
49	088 311 123	Needle sleeve		1	5Y 5S 5Z 7V
(49)	016 311 123 B	Needle sleeve		1	5P 5R UY 9U AOR AGP AGR

Model: 944 85

Model life 1985>>1988



Model: 944 85

Model life 1985>>1988

Pos	Part Number	Description	Remark	Qty	Model
		Oil cooling			5P 5R AOR
1	016 409 131 B	Transmission cover		1	
2	016 115 165 A	Drive wheel		1	
2	016 115 165	Drive wheel		1	M220
3	N 100 792 01	Roll pin		1	
4	999 119 011 00	Pan-head screw M 8 X 1 X 25		4	M220
5	N 090 191 1	Hexagon-head bolt M 8 X 35		9	
6	016 409 399 B	Radial shaft seal		1	
7	900 012 068 00	Straight pin		2	
8	930 307 243 00	Bearing sleeve		4	
8	930 307 243 01	Bearing sleeve		4	
9	900 117 069 00	Woodruff key		1	
10	016 115 119	Oil pump gear		1	
11	930 307 241 00	Oil pump gear		1	
11	930 307 241 02	Oil pump gear		1	
12	930 307 321 00	Compression spring		1	
13	N 025 667 2	Ball		1	
14	016 115 125	Drive wheel		1	
15	900 041 005 01	Circlip		1	
16	016 115 189	Gasket 0,15 MM		X	
16	016 115 189 A	Gasket 0,20 MM		X	
17	016 115 107 A	Lid		1	
18	N 011 524 2	Washer		4	
19	N 010 346 5	Hexagon-head bolt M 6 X 30		4	
20	951 307 039 01	Radiator coil		1	
20		Radiator coil		1	M030/758
21	951 307 379 00	Clip		2	
22	951 307 089 02	Support		1	
23	N 014 750 3	Pan-head screw M 6 X 10		2	
23	N 014 750 13	Pan-head screw M 6 X 10		2	
24	951 307 385 03	Clip		1	
25	951 307 383 01	Hose		2	
26	900 067 214 02	Pan-head screw M 8 X 35		1	
26	900 067 214 01	Pan-head screw M 8 X 35		1	
27	016 301 299	Dowel sleeve		1	
27	016 301 299 A	Dowel sleeve		1	
28	900 025 007 02	Washer 8,4		1	
28	900 025 007 03	Washer 8,4		1	
29	900 910 003 02	Lock nut VM 8		1	
29	900 910 003 04	Lock nut VM 8		1	
30	900 074 134 02	Hexagon-head bolt M 8 X 45		1	
31	999 531 015 02	Sleeve		1	
32	999 511 144 02	Clip		1	
33	951 307 383 00	Hose		1	
34	016 301 161	Support		2	
35	N 014 715 3	Pan-head screw		1	
35	900 067 103 01	Pan-head screw		1	
36	N 028 203 3	O-ring		2	
37	016 115 157	Oil strainer		1	

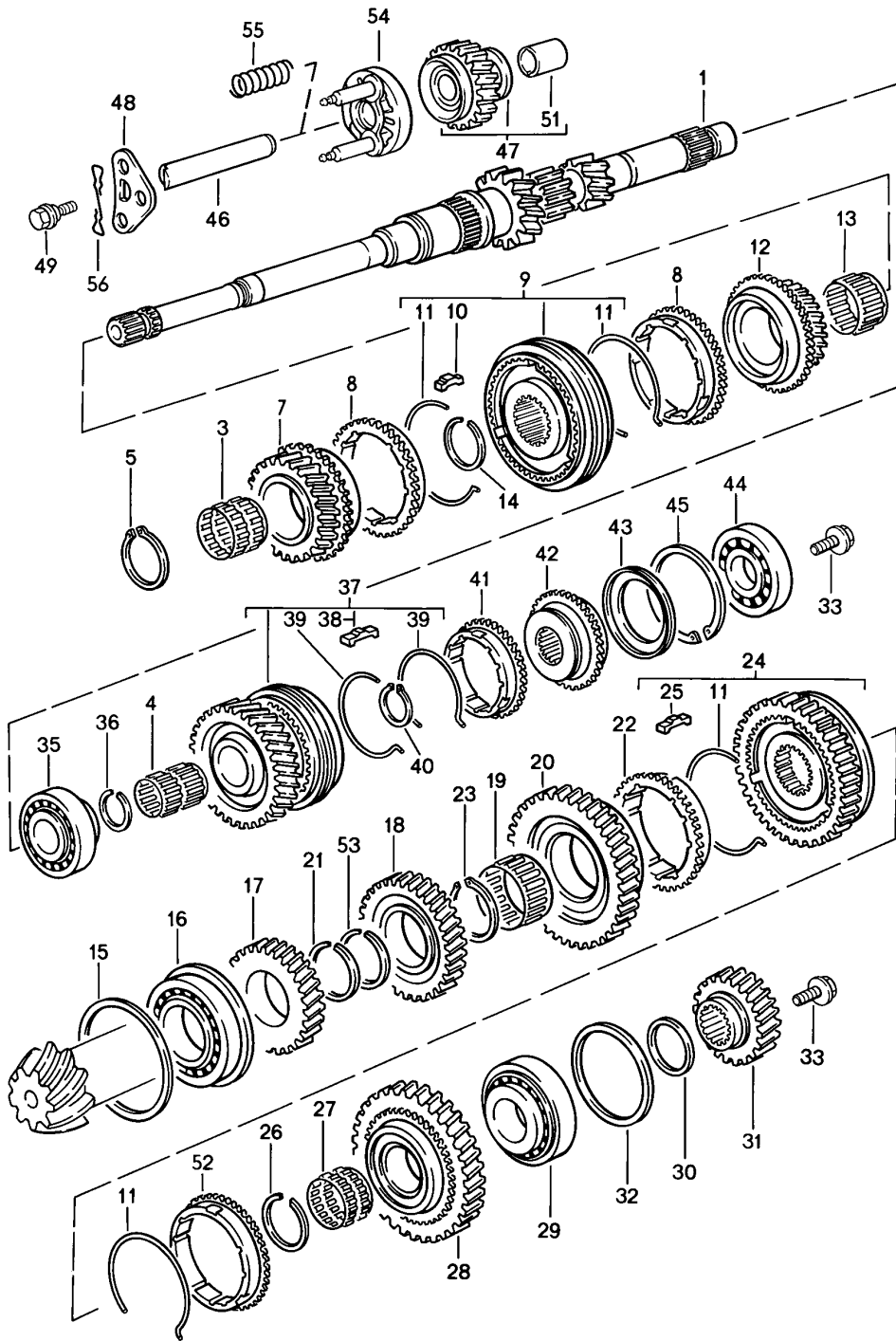
Model: 944 85

Model life 1985>>1988

Pos	Part Number	Description	Remark	Qty	Model
38	016 115 191	Clamp		1	

Model: 944 85

Model life 1985>>1988



Model: 944 85

Model life 1985>>1988

Pos	Part Number	Description	Remark	Qty	Model
		Gears and shafts Manual transmission			5Y 5S 5Z 7V
1	016 311 105 S	Drive shaft		1	
3	016 311 115	Needle-roller bearing 4th speed		1	
4	016 311 116 A	Needle-roller bearing 5th gear		1	
5	016 311 344	Circlip		1	
7	016 311 351 B	Shifting gear 4th speed		1	
8	016 311 295	Synchroniser ring 3rd/4th gear		2	
8	016 311 247	Synchroniser ring 3rd/4th gear		2	
9	088 311 301 B	Synchronising hub 3rd/4th gear with Operating sleeve		1	
10	088 311 245	Detent 3rd/4th gear		3	
11	088 311 311 D	Spring		4	
12	005 311 285	Shifting gear 3rd gear		1	
13	016 311 213 H	Needle-roller bearing		1	
14	088 311 317	Circlip 1,50		1	
14	088 311 317 B	Circlip 1,56		X	
14	088 311 317 C	Circlip 1,62		X	
15	088 311 391	Shim 0,20		1	
15	088 311 391 A	Shim 0,25		X	
15	088 311 391 B	Shim 0,30		X	
15	088 311 391 C	Shim 0,35		X	
15	088 311 391 D	Shim 0,40		X	
15	088 311 391 E	Shim 0,65		X	
15	088 311 391 F	Shim 0,90		X	
15	088 311 391 G	Shim 1,15		X	
16	016 311 220 E	Taper roller bearing		1	
17	016 311 149 H	Gear wheel 4th speed		1	
18	016 311 131 E	Gear wheel 3rd gear		1	
19	016 311 229 A	Needle-roller bearing 2nd gear		1	
20	016 311 271	Shifting gear 2nd gear		1	
21	016 311 363 AA	Circlip 2,24		1	
21	016 311 363 AB	Circlip 2,26		X	
21	016 311 363 AC	Circlip 2,28		X	
21	016 311 363 AD	Circlip 2,30		X	

Model: 944 85 Model life 1985>>1988

Pos	Part Number	Description	Remark	Qty	Model
21	016 311 363 AE	Circlip 2,32		X	
21	016 311 363 AF	Circlip 2,34		X	
21	016 311 363 AG	Circlip 2,36		X	
21	016 311 363 AH	Circlip 2,38		X	
21	016 311 363 AJ	Circlip 2,40		X	
22	016 311 295	Synchroniser ring 2nd gear		1	
22	016 311 247	Synchroniser ring 2nd gear		1	
23	016 311 287	Circlip 1,65		1	
23	016 311 287 A	Circlip 1,70		X	
23	016 311 287 B	Circlip 1,75		X	
24	016 311 239 E	Synchronising hub 1st / 2nd gear with Operating sleeve		1	
25	088 311 313	Detent 1st / 2nd gear		3	
26	016 311 327	Circlip 1,50		1	
26	016 311 327 A	Circlip 1,55		X	
26	016 311 327 B	Circlip 1,60		X	
27	016 311 207 A	Needle-roller bearing 1st gear		1	
28	016 311 257	Shifting gear 1st gear		1	
29	016 311 375 B	Taper roller bearing G >> 5S 28 08 6 G >> 7V 28 08 6		1	
29	016 311 375 H	Taper roller bearing G 5S 29 08 6 >> G 7V 29 08 6 >>		1	
29	016 311 375 J	Taper roller bearing G 5S 29 08 6 >> G 7V 29 08 6 >>		1	
30	016 311 391	Adjusting shim 1,10		1	
30	016 311 391 A	Adjusting shim 1,40		X	
30	016 311 391 A1	Adjusting shim 1,40		X	
30	016 311 391 B	Adjusting shim 1,70		X	
30	016 311 391 C	Adjusting shim 2,00		X	
30	016 311 391 D	Adjusting shim 2,30		X	
31	016 311 159 C	Gear wheel 5th gear		1	5Y 5Z
31	016 311 159 F	Gear wheel 5th gear		1	5S 7V
32	016 311 393	Shim 0,24		1	

Model: 944 85 Model life 1985>>1988

Pos	Part Number	Description	Remark	Qty	Model
32	016 311 393 A	Shim 0,27		X	
32	016 311 393 B	Shim 0,30		X	
32	016 311 393 C	Shim 0,33		X	
32	016 311 393 D	Shim 0,36		X	
32	016 311 393 E	Shim 0,39		X	
32	016 311 393 F	Shim 0,42		X	
32	016 311 393 G	Shim 0,45		X	
32	016 311 393 H	Shim 0,69		X	
32	016 311 393 J	Shim 0,93		X	
32	016 311 393 K	Shim 1,17		X	
32	016 311 393 L	Shim 1,41		X	
32	016 311 393 AP	Shim 0,24		1	
32	016 311 393 AQ	Shim 0,27		X	
32	016 311 393 AR	Shim 0,30		X	
32	016 311 393 AS	Shim 0,33		X	
32	016 311 393 M	Shim 0,36		X	
32	016 311 393 N	Shim 0,39		X	
32	016 311 393 P	Shim 0,42		X	
32	016 311 393 Q	Shim 0,45		X	
32	016 311 393 R	Shim 0,69		X	
32	016 311 393 S	Shim 0,93		X	
32	016 311 393 T	Shim 1,17		X	
32	016 311 393 AA	Shim 1,41		X	
33	N 902 582 01	Clamping screw		2	
35	016 311 427	Cylindrical-roller bearing		1	
36	N 900 606 01	Circlip A 27 X 1,35		1	
36	N 900 606 02	Circlip A 27 X 1,40		X	
36	N 900 606 03	Circlip A 27 X 1,45		X	
37	016 311 353 B	Shifting gear 5th gear		1	5Y 5Z
37	016 311 353 E	Shifting gear 5th gear		1	5S 7V
38	016 311 246	Detent 5th gear		3	
39	014 311 311 C	Spring 5th gear		2	
40	N 900 607 01	Circlip		1	

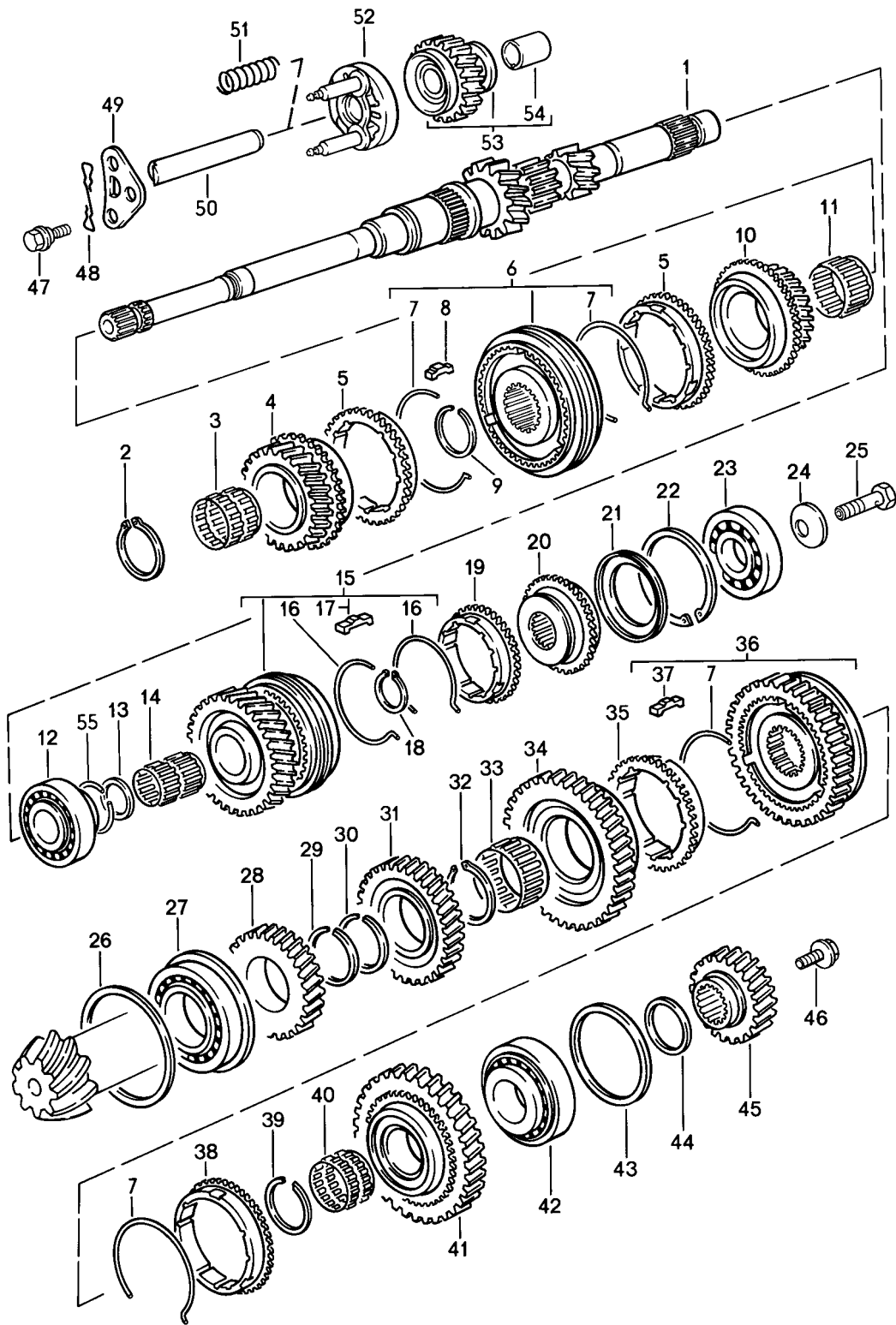
Model: 944 85

Model life 1985>>1988

Pos	Part Number	Description	Remark	Qty	Model
41	014 311 295 E	A 27 X 1,9 Synchroniser ring		1	
42	016 311 192 A	5th gear Clutch hub		1	
43	016 311 449	5th gear Dust plate		1	
44	016 311 445	Four-point bearing		1	
44	016 311 44F	Four-point bearing		1	
45	N 900 608 01	Circlip A 68 X 2,83		1	
45	N 900 608 02	Circlip A 68 X 2,90		X	
46	016 311 519 B	Reverse idler gear shaft		1	
47	016 311 529 D	Reverse idler gear		1	
48	016 311 853 B	Retainer plate		1	
49	088 301 291 A	Shouldered bolt		1	
50		Shouldered bolt M 8 X 16		1	
51	088 311 533	Bush		1	
52	016 311 247	Synchroniser ring 1st gear		1	
53	016 311 363 AJ	Circlip 2,40		1	
54	016 311 839 C	Synchroniser ring		1	
55	016 311 859 C	Compression spring		1	
56	016 311 861 C	Spring clip		1	

Model: 944 85

Model life 1985>>1988



Model: 944 85 Model life 1985>>1988

Pos	Part Number	Description	Remark	Qty	Model
		Gears and shafts Manual transmission			5P 5R UY 9U AGP AGR AOR
1	016 311 105 AL	Drive shaft		1	
1		Drive shaft		1	AOR
1		Drive shaft		1	AOR
2	016 311 344	Circlip		1	
3	016 311 115	Needle-roller bearing 4-speed		1	
4	016 311 347 A	Shifting gear 4-speed		1	
5	016 311 295	Synchroniser ring 3rd/4th gear		2	
5	016 311 247	Synchroniser ring 3rd/4th gear		2	
6	016 311 301 B	Synchronising hub 3rd/4th gear with Operating sleeve		1	
7	088 311 311 D	Spring		4	
8	088 311 245	Detent 3rd/4th gear		3	
9	088 311 317	Circlip 1,50		1	
9	088 311 317 B	Circlip 1,56		X	
9	088 311 317 C	Circlip 1,62		X	
10	016 311 279	Shifting gear 3rd gear		1	
11	016 311 213 H	Needle-roller bearing		1	
12	016 311 427 C	Cylindrical-roller bearing		1	
13	016 311 155 B	Thrust washer		1	
14	016 311 116 A	Needle-roller bearing 4th speed		1	
15	016 311 353 K	Shifting gear 5th gear		1	
16	014 311 311 C	Spring		2	
17	016 311 246	Detent 5th gear		3	
18	N 900 607 01	Circlip A 27 X 1,9		1	
19	014 311 295 E	Synchroniser ring 5th gear		1	
20	016 311 192 A	Clutch hub 5th gear		1	
21	016 311 449	Dust plate		1	
22	N 900 608 01	Circlip A 68 X 2,83		1	
22	N 900 608 02	Circlip A 68 X 2,90		X	
23	016 311 445	Four-point bearing		1	
23	016 311 44F	Four-point bearing		1	
24	016 311 324	Cup spring		1	
25	020 311 308 C	Screw		1	
26	016 311 391 E	Shim 0,20		1	
26	016 311 391 F	Shim 0,25		X	
26	016 311 391 G	Shim 0,30		X	
26	016 311 391 H	Shim 0,35		X	
26	016 311 391 J	Shim		X	

Model: 944 85

Model life 1985>>1988

Pos	Part Number	Description	Remark	Qty	Model
26	016 311 391 K	0,40 Shim		X	
26	016 311 391 L	0,65 Shim		X	
26	016 311 391 M	0,90 Shim		X	
27	016 311 220 L	1,15 Taper roller bearing		1	
27	PCG 311 220 L	Taper roller bearing		1	
28	016 311 149 K	Gear wheel 4th speed			
29	016 311 363 AA	Circlip 2,24		1	
29	016 311 363 AB	Circlip 2,26		X	
29	016 311 363 AC	Circlip 2,28		X	
29	016 311 363 AD	Circlip 2,30		X	
29	016 311 363 AE	Circlip 2,32		X	
29	016 311 363 AF	Circlip 2,34		X	
29	016 311 363 AG	Circlip 2,36		X	
29	016 311 363 AH	Circlip 2,38		X	
29	016 311 363 AJ	Circlip 2,40		X	
30		Circlip 2,40		1	
31	016 311 131 G	Gear wheel 3rd gear		1	
32	016 311 287	Circlip 1,65		1	
32	016 311 287 A	Circlip 1,70		X	
32	016 311 287 B	Circlip 1,75		X	
33	016 311 229 A	Needle-roller bearing 2nd gear		1	
34	016 311 265 B	Shifting gear 2nd gear		1	
35	016 311 295	Synchroniser ring 2nd gear		1	
35	016 311 247	Synchroniser ring 2nd gear		1	
36	016 311 239 E	Synchronising hub 1st / 2nd gear		1	
37	088 311 313	Detent 1st / 2nd gear		3	
38	016 311 247	Synchroniser ring		1	
39	016 311 327	Circlip 1,50		1	
39	016 311 327 A	Circlip 1,55		X	
39	016 311 327 B	Circlip 1,60		X	
40	016 311 207 A	Needle-roller bearing 1st gear		1	
41	016 311 257 C	Shifting gear 1st gear		1	
42	016 311 375 F	Taper roller bearing		1	

Model: 944 85 Model life 1985>>1988

Pos	Part Number	Description	Remark	Qty	Model
42	016 311 375 H	G >> 5P 29 03 7 G >> 5R 29 03 7 G >> UY 29 03 7 G >> 9U 29 03 7 G >>AGP 29 03 7 G >>AGR 29 03 7 Taper roller bearing with Collar G 5P 30 03 7 >> G 5R 30 03 7 >> G UY 30 03 7 >> G 9U 30 03 7 >> G AGP 30 03 7>> G AGR 30 03 7>> G AOR 30 03 7>>		1	
42	016 311 375 J	Taper roller bearing with Collar G 5P 30 03 7 >> G 5R 30 03 7 >> G UY 30 03 7 >> G 9U 30 03 7 >> G AGP 30 03 7>> G AGR 30 03 7>> G AOR 30 03 7>>		1	
43	016 311 393	Shim 0,24		1	
43	016 311 393 A	Shim 0,27		X	
43	016 311 393 B	Shim 0,30		X	
43	016 311 393 C	Shim 0,33		X	
43	016 311 393 D	Shim 0,36		X	
43	016 311 393 E	Shim 0,39		X	
43	016 311 393 F	Shim 0,42		X	
43	016 311 393 G	Shim 0,45		X	
43	016 311 393 H	Shim 0,69		X	
43	016 311 393 J	Shim 0,93		X	
43	016 311 393 K	Shim 1,17		X	
43	016 311 393 L	Shim 1,41 G 5P 30 03 7 >> G 5R 30 03 7 >> G UY 30 03 7 >> G 9U 30 03 7 >> G AGP 30 03 7>> G AGR 30 03 7>> G AOR 30 03 7>>		X	
43	016 311 393 AP	Shim 0,24		X	
43	016 311 393 AQ	Shim 0,27		X	
43	016 311 393 AR	Shim 0,30		X	

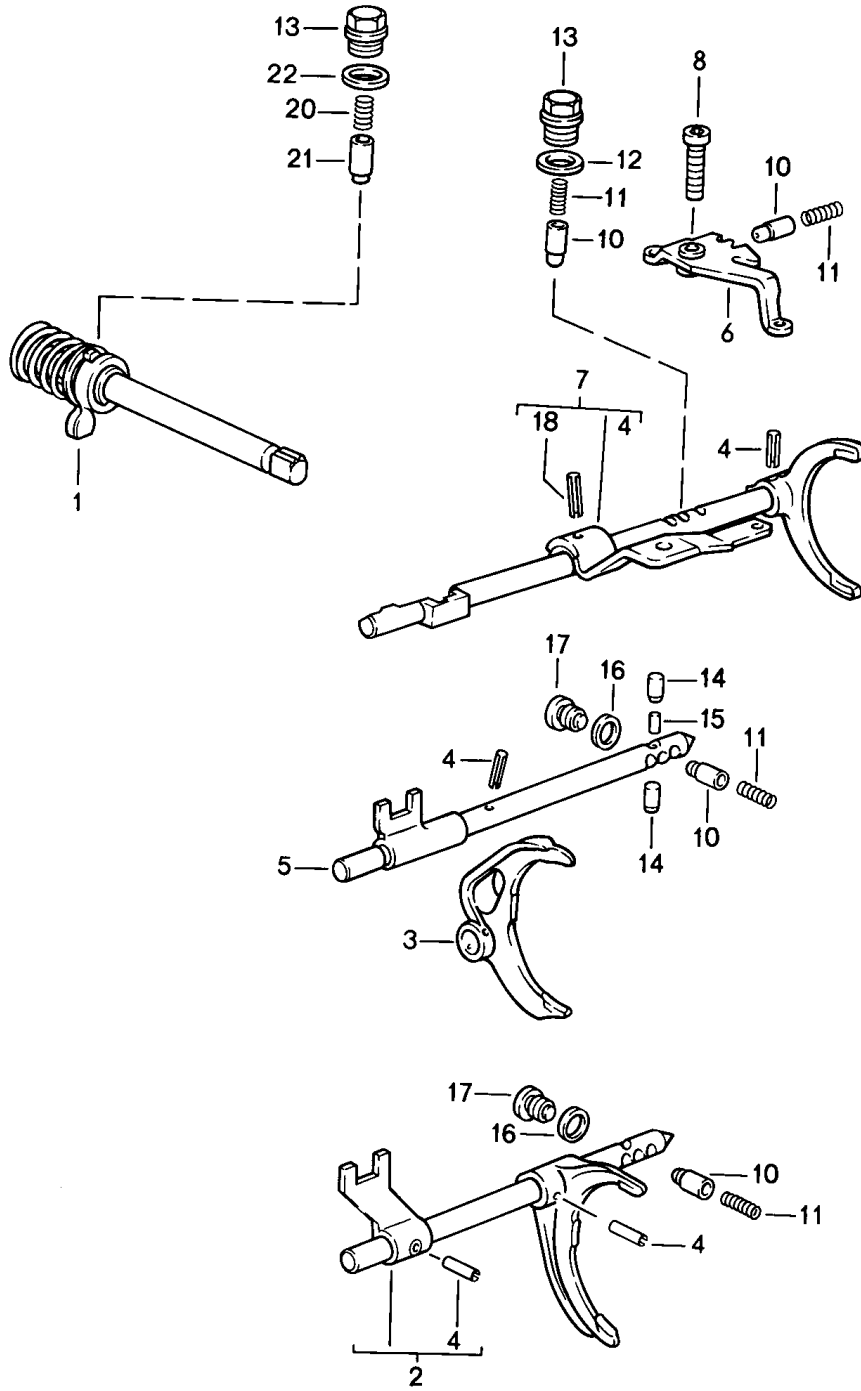
Model: 944 85

Model life 1985>>1988

Pos	Part Number	Description	Remark	Qty	Model
43	016 311 393 AS	Shim 0,33		X	
43	016 311 393 M	Shim 0,36		X	
43	016 311 393 N	Shim 0,39		X	
43	016 311 393 P	Shim 0,42		X	
43	016 311 393 Q	Shim 0,45		X	
43	016 311 393 R	Shim 0,69		X	
43	016 311 393 S	Shim 0,93		X	
43	016 311 393 T	Shim 1,17		X	
43	016 311 393 AA	Shim 1,41		X	
44	016 311 391	Adjusting shim 1,10		1	
44	016 311 391 A	Adjusting shim 1,40		X	
44	016 311 391 A1	Adjusting shim 1,40		X	
44	016 311 391 B	Adjusting shim 1,70		X	
44	016 311 391 C	Adjusting shim 2,00		X	
44	016 311 391 D	Adjusting shim 2,30		X	
45	016 311 159 T	Gear wheel 5th gear		1	
46	N 902 582 01	Clamping screw		1	
47	088 301 291 A	Shouldered bolt		1	
48	016 311 861 C	Spring clip		1	
49	016 311 853 B	Retainer plate		1	
50	016 311 519 B	Reverse idler gear shaft		1	
51	016 311 859 C	Compression spring		1	
52	016 311 839 C	Synchroniser ring		1	
53	016 311 529 D	Reverse idler gear		1	
54	088 311 533	Bush		1	
55	016 311 287 C	Circlip		1	

Model: 944 85

Model life 1985>>1988



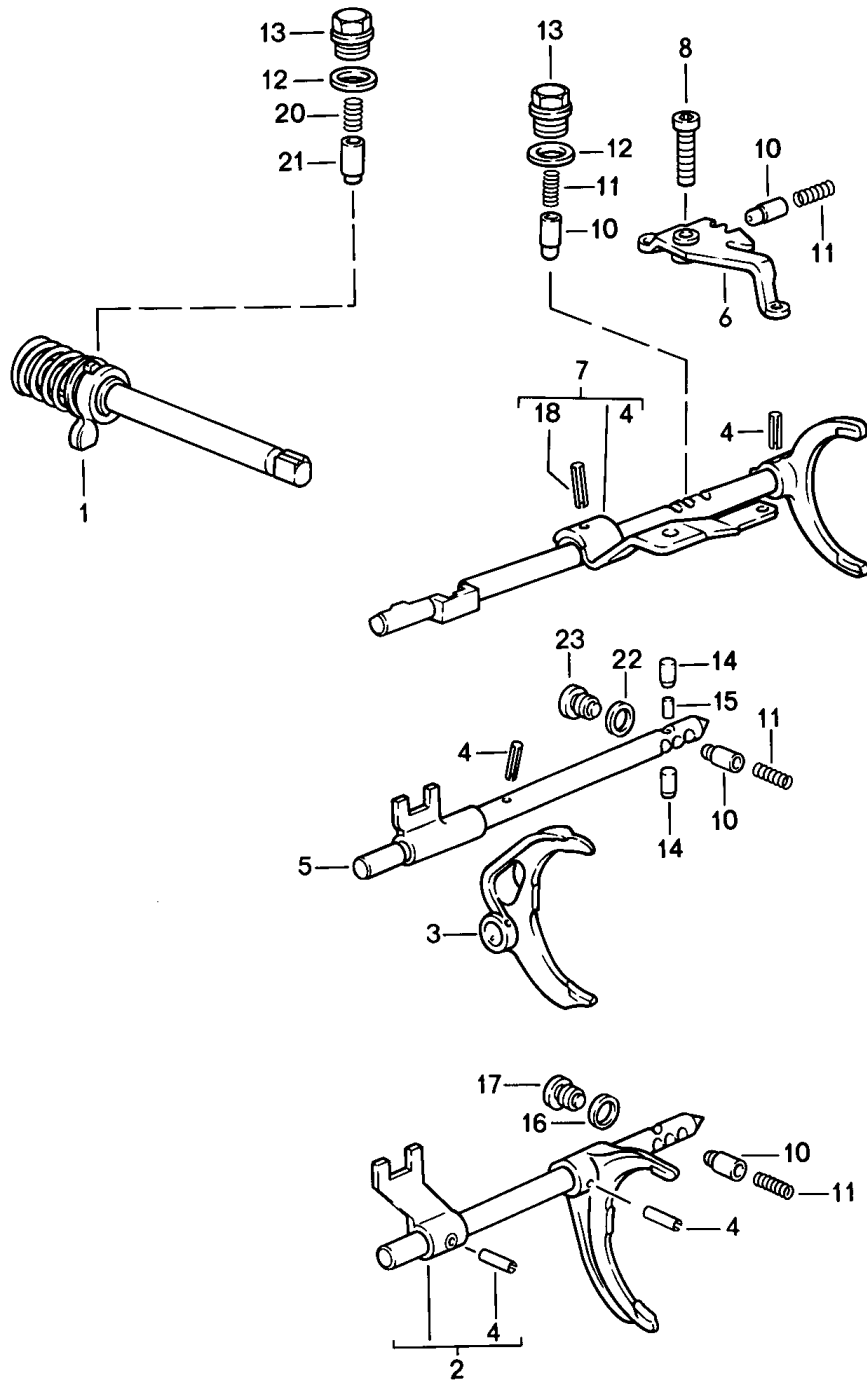
Model: 944 85

Model life 1985>>1988

Pos	Part Number	Description	Remark	Qty	Model
		Transmission control Manual transmission			5Y 5S 5Z 7V
1	016 311 475 G	Shift rod Ready for installation		1	
2	016 311 549 A	Shift fork 1st / 2nd gear		1	
3	016 311 561 A	Shift fork 3rd/4th gear		1	
4	N 900 073 01	Tensioning sleeve 6 X 22		4	
5	016 311 567	Gear shift rod 3rd/4th gear		1	
6	016 311 573 B	Reverse lever		1	
7	016 311 575 C	Gear shift rod 5th gear And Reverse gear		1	
8	084 311 589 B	Pan-head screw M 10 X 32		1	
10	084 311 621 D	Bush		4	
11	014 311 641 A	Compression spring		4	
12	900 123 140 30	Sealing ring A 18 X 22		1	
13	005 311 689	Screw plug		1	
14	014 311 629	Detent		2	
15	014 311 635	Intermediate piece		1	
16	088 311 599	Sealing ring		2	
17	088 311 721	Stop screw		2	
18	N 013 336 1	Tensioning sleeve 6 X 26		1	
20	016 311 735 A	Compression spring		1	
21	016 311 717 C	Bush		1	
22	005 311 599	Sealing ring		1	

Model: 944 85

Model life 1985>>1988



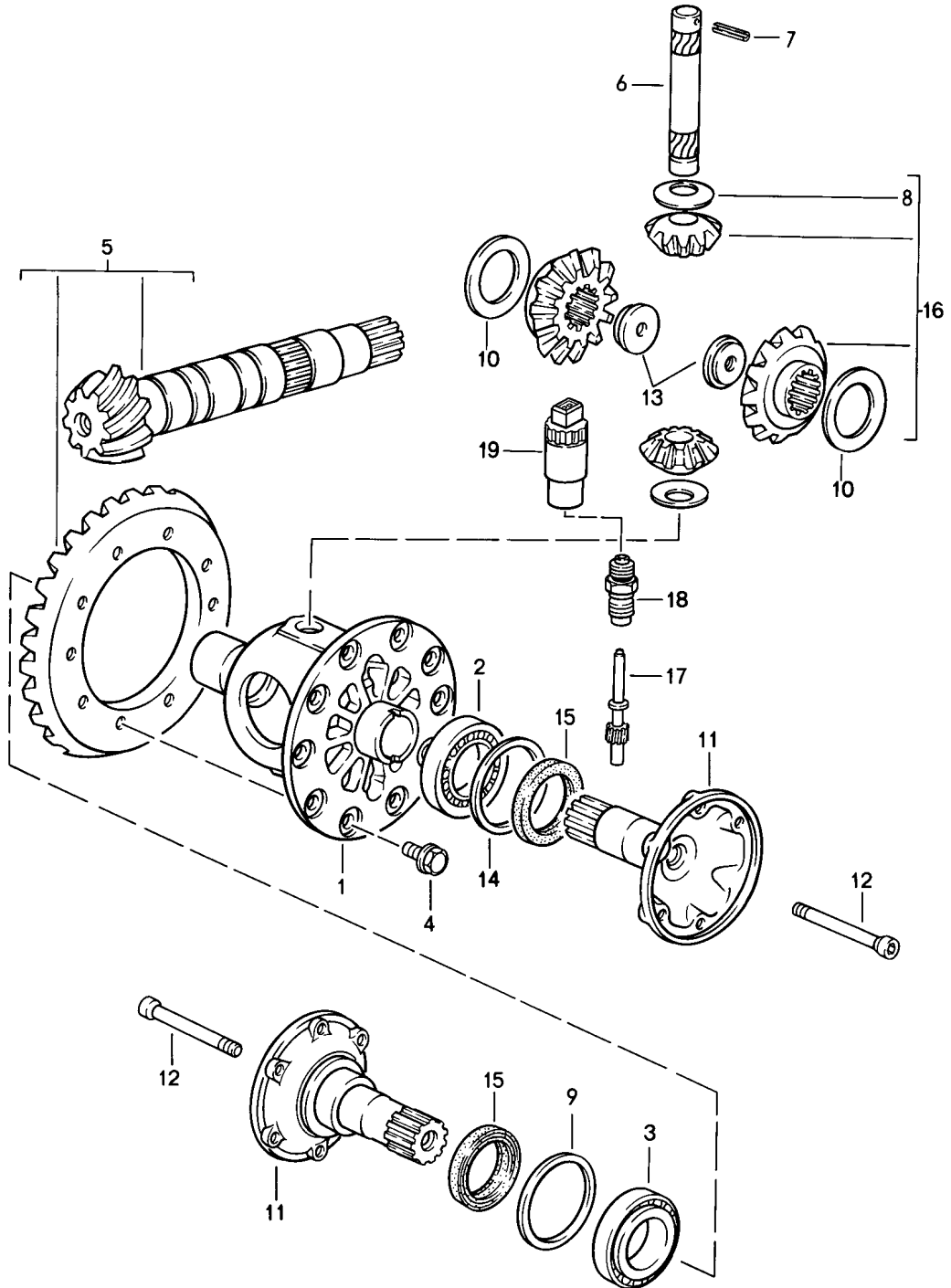
Model: 944 85

Model life 1985>>1988

Pos	Part Number	Description	Remark	Qty	Model
		Transmission control			5P 5R UY 9U AGP AGR AOR
1	016 311 475 G	Manual transmission Shift rod Ready for installation		1	
2	016 311 549 C	Shift fork 1st / 2nd gear		1	
3	016 311 561 A	Shift fork 3rd/4th gear		1	
4	N 900 073 01	Tensioning sleeve 6 X 22		4	
5	016 311 567 A	Gear shift rod 3rd/4th gear		1	
6	016 311 573 B	Reverse lever		1	
7	016 311 575 D	Gear shift rod 5th gear And Reverse gear		1	
8	084 311 589 B	Pan-head screw M 10 X 32		1	
10	084 311 621 D	Bush		3	
11	014 311 641 A	Compression spring		3	
12	005 311 599	Sealing ring		2	
13	005 311 689	Screw plug		2	
14	014 311 629	Detent		2	
15	014 311 635	Intermediate piece		1	
16	088 311 599	Sealing ring		1	
17	088 311 721	Stop screw		1	
18	N 013 336 1	Tensioning sleeve 6 X 26		1	
20	016 311 735 A	Compression spring		1	
21	016 311 717 C	Bush		1	
22	084 311 719	Sealing ring		1	
23	N 016 027 5	Screw plug		1	

Model: 944 85

Model life 1985>>1988



Model: 944 85 Model life 1985>>1988

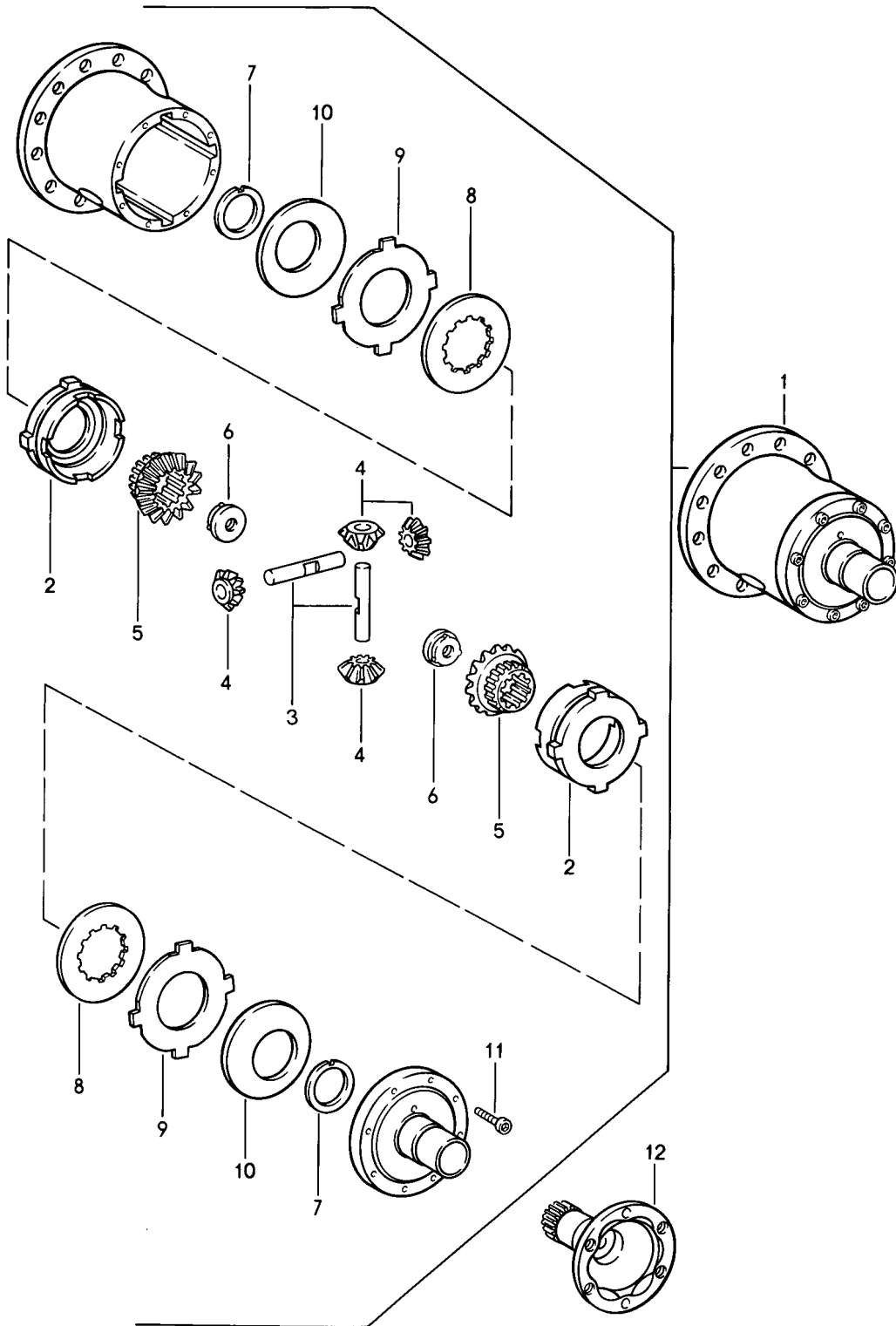
Pos	Part Number	Description	Remark	Qty	Model
		Differential			
		Manual transmission			
1	088 409 121 B	Differential housing		1	5Y 5Z 5S 7V
1	016 409 121 B	Differential housing		1	5P 5R UY 9U
1	016 409 121 C	Differential housing		1	AGP AGR
2	016 409 123	Taper roller bearing	/L	1	
3	113 517 185 C	Taper roller bearing	/R	1	
3	113 517 185 B	Taper roller bearing	/R	1	
4	088 409 135 A	Hexagon-head bolt M 10 X 18		10	
5	016 409 143 BF	Ring gear and pinion shaft 9 : 35		1	5Y 5Z 5S 7V
5	016 409 143 AQ	Ring gear and pinion shaft 8 : 27		1	5P 5R UY 9U AOR
5	016 409 143 BD	Ring gear and pinion shaft 9 : 35		1	AGP AGR
6	005 409 177	Bolt		1	
7	N 013 319 1	Tensioning sleeve 5 X 36		1	
8	016 409 170	Thrust washer		2	
9	113 517 201 A	Adjusting shim 0,15	/R	1	
9	113 517 202 A	Adjusting shim 0,20	/R	X	
9	113 517 203 A	Adjusting shim 0,30	/R	X	
9	113 517 204 A	Adjusting shim 0,40	/R	X	
9	113 517 205 A	Adjusting shim 0,50	/R	X	
9	113 517 206 A	Adjusting shim 0,60	/R	X	
9	02A 409 210 A	Adjusting shim 0,70	/R	X	
9	02A 409 210 C	Adjusting shim 0,80	/R	X	
9	02A 409 210 E	Adjusting shim 0,90	/R	X	
9	02A 409 210 G	Adjusting shim 1,00	/R	X	
9	113 517 211 A	Adjusting shim 1,20	/R	X	
9	02A 409 210 1	Shim 1,20	/R	X	
9	02A 409 210 L	Adjusting shim 1,20	/R	X	
10	011 519 215	Thrust washer 0,50		2	
10	088 409 249	Thrust washer 0,60		X	
10	088 409 249 A	Thrust washer 0,70		X	
10	088 409 249 B	Thrust washer 0,80		X	
11	088 409 355 C	Flanged shaft		2	5Y 5Z 5S 7V
11	016 409 355 A	Flanged shaft		2	5P 5R UY 9U AGP AGR AOR
12	088 409 359	Screw		2	
13	016 409 161	Lock nut		2	
14	018 409 381	Shim 0,15	/L	1	
14	018 409 383	Shim	/L	X	

Model: 944 85 Model life 1985>>1988

Pos	Part Number	Description	Remark	Qty	Model
14	018 409 385	0,20 Shim	/L	X	
14	018 409 387	0,25 Shim	/L	X	
14	018 409 385	0,50 Shim	/L	X	
14	018 409 389	0,50 Shim	/L	X	
14	018 409 391	0,80 Shim	/L	X	
14	018 409 393	1,00 Shim	/L	X	
14	018 409 393	1,50 Shim	/L	X	
15	016 409 399 B	Radial shaft seal		2	
16	951 333 951 00	Differential pinions		1	
16	951 333 951 00	Differential pinions		1	
17	088 409 197	Speedometer pinion		1	
18	014 409 193 A	Bush		1	
19	944 606 210 00	Pulse sender		1	
-	016 409 187	Speedometer pinion		1	
		Drive wheel			

Model: 944 85

Model life 1985>>1988



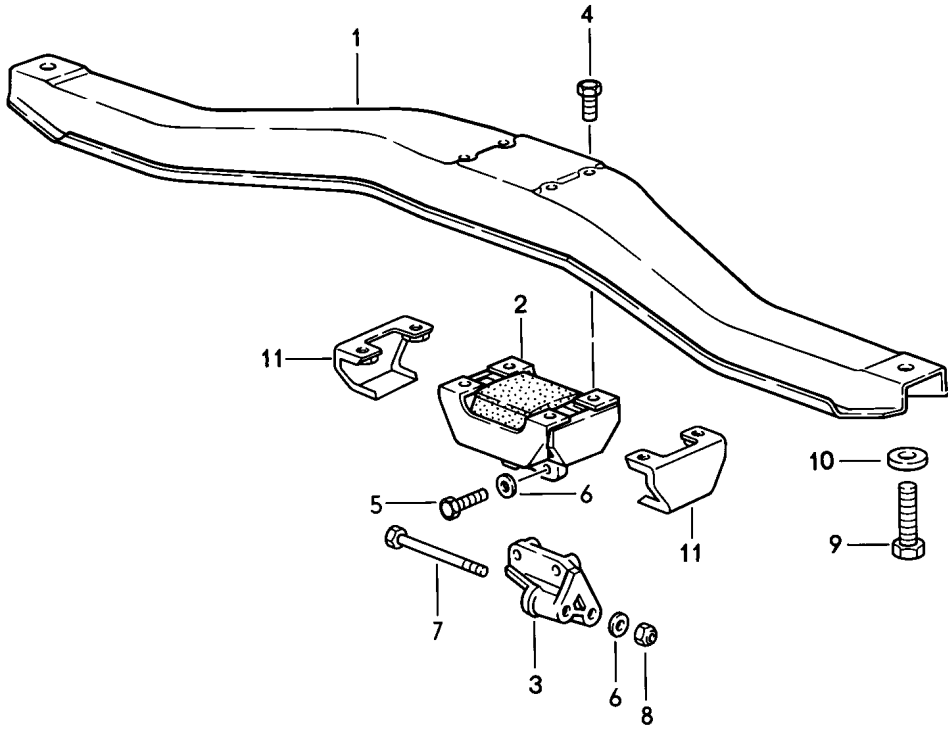
Model: 944 85

Model life 1985>>1988

Pos	Part Number	Description	Remark	Qty	Model
		Limited-slip differential Manual transmission			M220
1	951 332 053 05	Limited-slip differential		1	
1		Limited-slip differential		1	M758
2	951 332 511 00	Thrust ring		2	
2		Thrust ring		2	M758
3	951 332 541 00	Differential shaft		2	
4	944 332 531 00	Bevel pinion		4	
5	944 332 535 00	Shaft bevel gear		2	
6	016 409 161	Lock nut		2	
7	944 332 561 00	Thrust washer		2	
8	917 332 551 10	Inner disc		2	
8	951 332 551 00	Inner disc		2	M758
9	917 332 552 10	Disc with external splines 1,90		2	
9	917 332 552 11	Disc with external splines 2,00		X	
9	917 332 552 12	Disc with external splines 2,10		X	
10	928 332 555 00	Cup spring 2,00		2	
11	999 119 011 00	Pan-head screw M 8 X 1 X 25		8	
12	088 409 355 C	Flanged shaft		2	5Y 5Z 5S 7V
12	016 409 355 A	Flanged shaft		2	5P 5R AGP AGR

Model: 944 85

Model life 1985>>1988



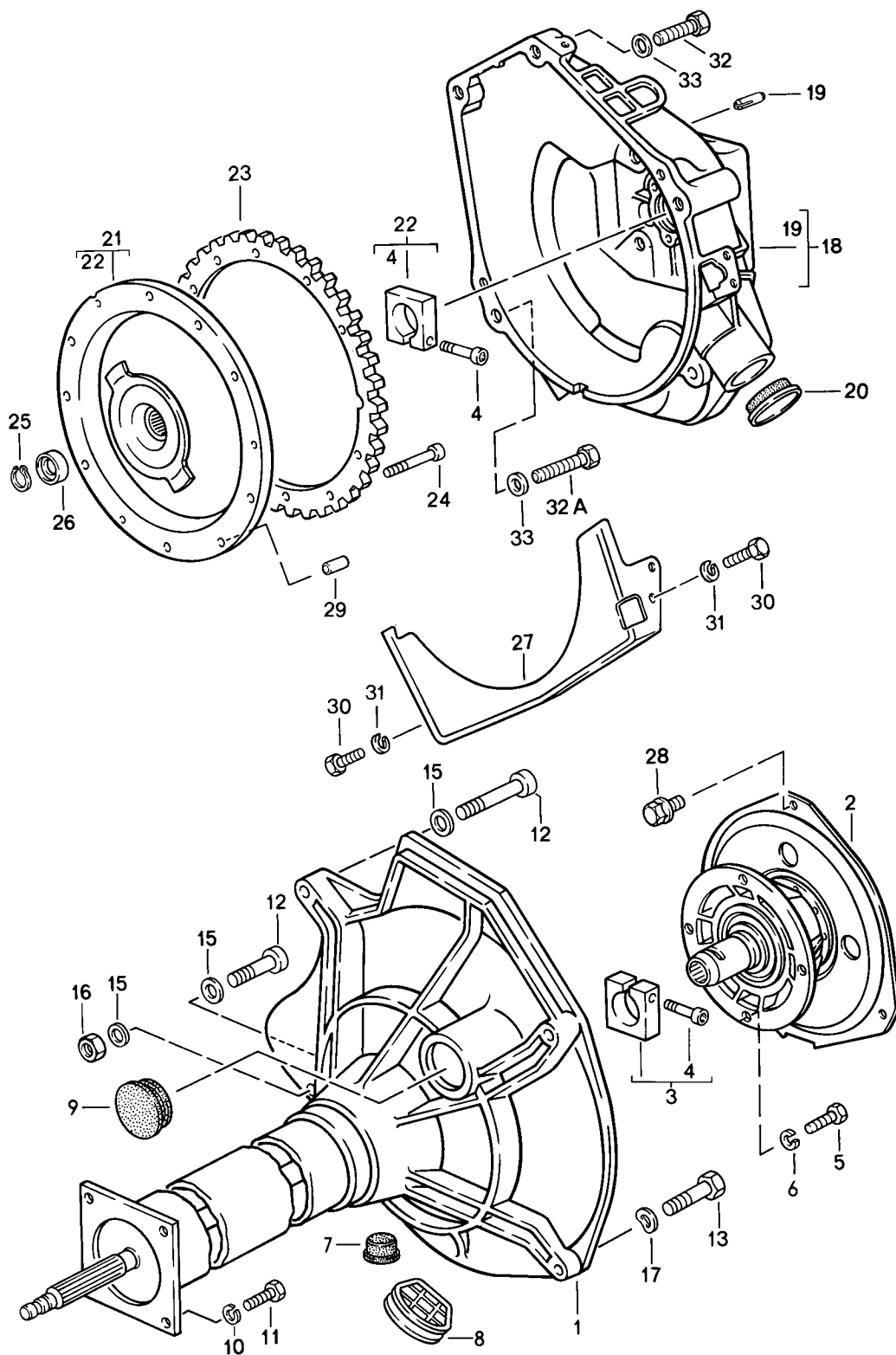
Model: 944 85

Model life 1985>>1988

Pos	Part Number	Description	Remark	Qty	Model
		Transmission suspension Manual transmission			
1	944 375 024 03	Transmission carrier		1	
2	944 375 045 04	Transmission mounting		1	
3	944 375 287 04	Support		1	
4	900 075 087 02	Hexagon-head bolt M 8 X 16		4	
4	900 075 087 03	Hexagon-head bolt M 8 X 16		4	
5	900 075 099 02	Hexagon-head bolt M 8 X 30		2	
5	900 075 099 03	Hexagon-head bolt M 8 X 30		2	
6	900 025 007 02	Washer A 8,4		4	
6	900 025 007 03	Washer A 8,4		4	
7	N 010 391 4	Hexagon-head bolt M 8 X 100		2	
8	900 910 022 09	Lock nut M 8		2	
8	900 910 022 03	Lock nut M 8		2	
9	N 010 449 2	Hexagon-head bolt M 10 X 50		2	
9	900 074 373 01	Hexagon-head bolt M 10 X 50		2	
10	477 407 425	Washer		2	
11	944 375 079 01	Stop		2	

Model: 944 85

Model life 1985>>1988



Model: 944 85 Model life 1985>>1988

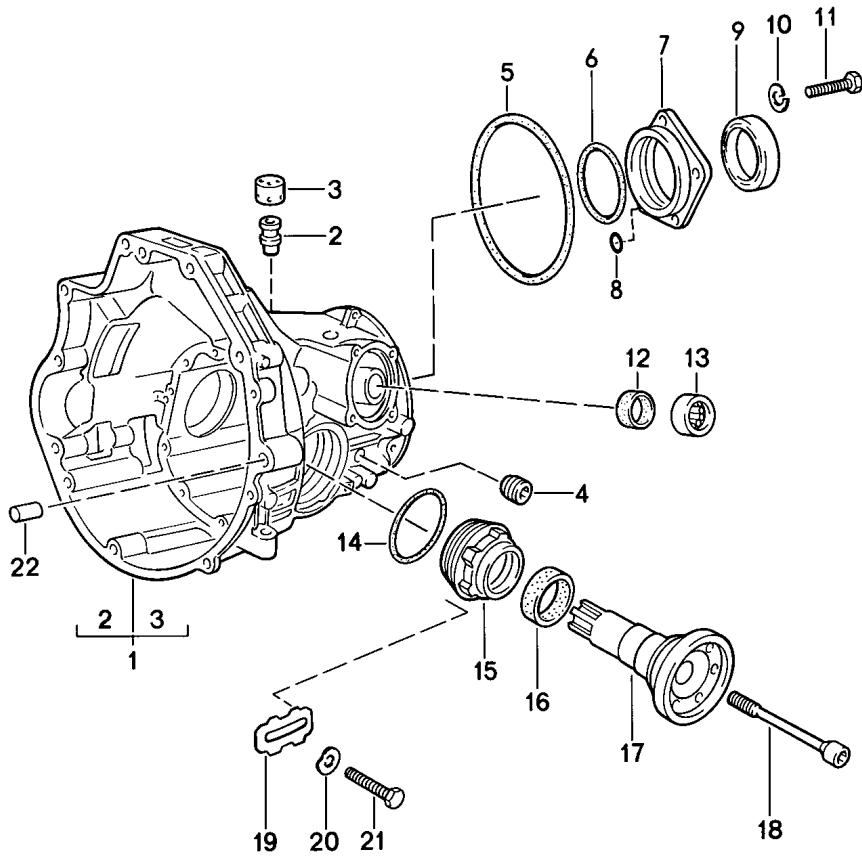
Pos	Part Number	Description	Remark	Qty	Model
		Central tube			
		Automatic transmission			
1	944 421 107 03	Central tube		1	
2	944 421 110 00	Converter mounting		1	
3	922 421 239 02	Clamping piece		1	
4	931 421 240 00	Clamping screw		2	
5	900 075 029 09	Hexagon-head bolt		4	
		M 8 X 25			
5	900 075 029 03	Hexagon-head bolt		4	
		M 8 X 25			
6	N 012 241 11	Spring washer		4	
		B 8			
7	477 521 177	Cap		1	
8	477 521 277 C	Cap		1	
9	477 521 277 A	Cap		1	
10	900 027 016 02	Lock ring		4	
		B 10			
10	900 027 016 03	Lock ring		4	
		B 10			
11	N 010 275 4	Hexagon-head bolt		4	
		M 10 X 35			
12	900 067 268 02	Pan-head screw		3	
		M 12 X 80			
13	N 040 240 2	Hexagon-head bolt		1	
		M 10 X 50			
14	900 028 014 02	Washer		3	
		B 12			
14	900 028 014 03	Washer		3	
		B 12			
15	N 011 531 7	Washer		1	
		A 13			
16	N 011 020 8	Hexagon nut		1	
		M 12			
16	900 034 036 01	Hexagon nut		1	
		M 12			
17	900 025 008 09	Washer		1	
17	900 025 008 04	Washer		1	
18	944 116 043 06	Clutch housing	-86	1	
18		Clutch housing	87	1	
18		Clutch housing		1	
19	N 012 690 1	Grooved pin		3	
		10 X 32			
20	931 116 177 00	Cap		2	
21	944 116 065 02	Damper	-86	1	
21		Damper		1	
22	922 421 255 00	Clamping piece		1	
23	944 116 239 02	Starter ring		1	
24	N 014 717 2	Pan-head screw		9	
		M 8 X 40			
25	900 273 002 01	Circlip		1	
		17 X 1			
26	944 116 631 00	Spacer sleeve		1	
		1,00			
26	944 116 631 01	Spacer sleeve		X	
		2,00			
26	944 116 631 02	Spacer sleeve		X	
		3,00			
26	944 116 631 03	Spacer sleeve		X	
		4,00			
26	944 116 631 04	Spacer sleeve		X	
		5,00			
26	944 116 631 05	Spacer sleeve		X	
		6,00			

Model: 944 85 Model life 1985>>1988

Pos	Part Number	Description	Remark	Qty	Model
26	944 116 631 06	Spacer sleeve 7,00		X	
26	944 116 631 07	Spacer sleeve 8,00		X	
26	944 116 631 11	Spacer sleeve 8,00		X	
27	944 116 093 01	Protective plate		1	
28	003 323 699 A	Hexagon-head bolt		3	
28	003 323 699 B	Hexagon-head bolt		3	
29	999 095 019 00	Clamping pin S 10 X 20		2	
30	N 010 254 6	Hexagon-head bolt M 10 X 25		2	
30	N 010 254 F	Hexagon-head bolt M 10 X 25		2	
31	N 012 028 1	Lock ring A 10		2	
32	N 010 142 2	Hexagon-head bolt M 12 X 50		2	
32A	N 010 191 2	Hexagon-head bolt M 12 X 95		2	
32A	900 082 142 01	Hexagon-head bolt M 12 X 95		2	
33	N 011 531 7	Washer A 13		4	

Model: 944 85

Model life 1985>>1988

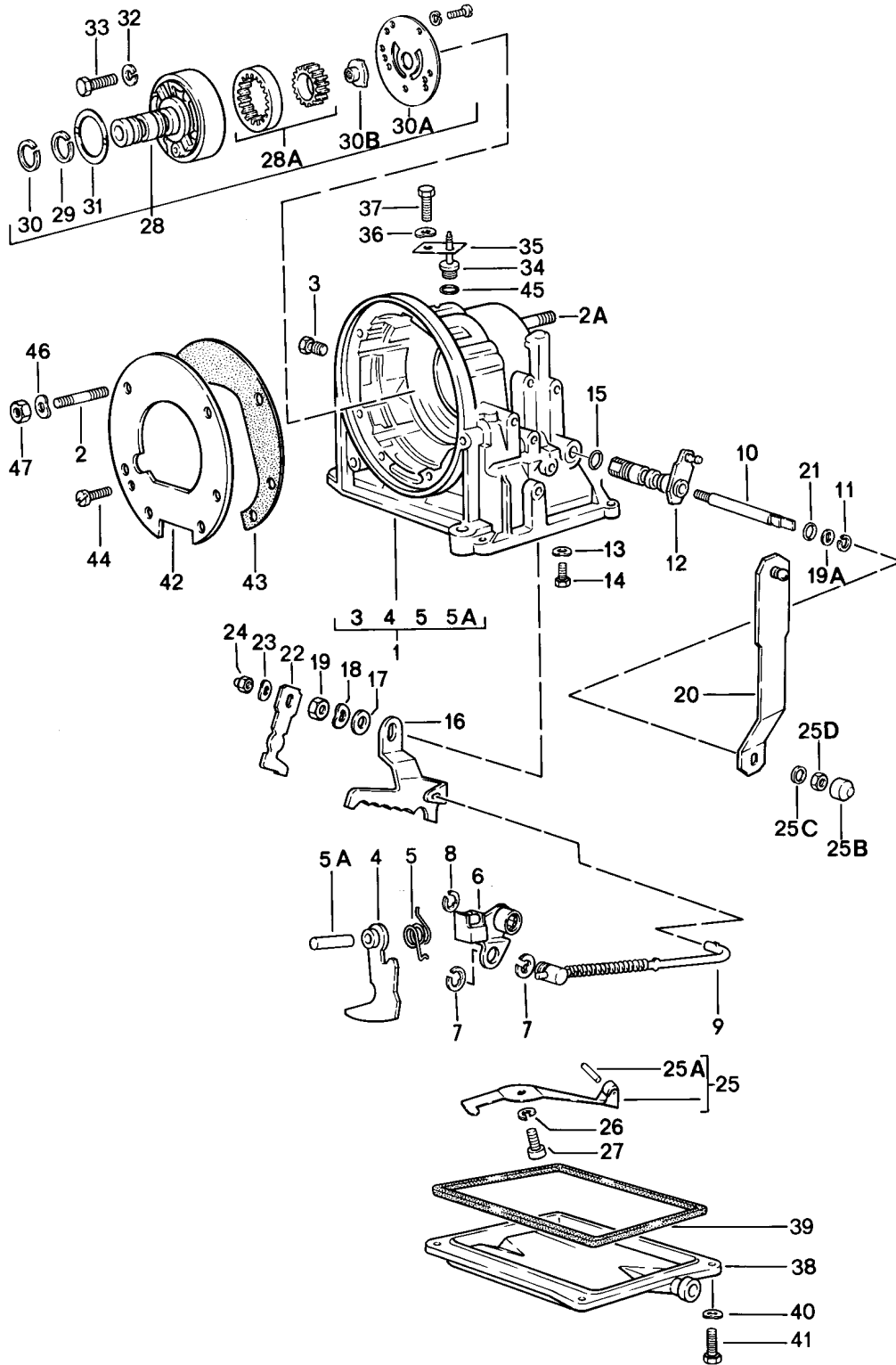


Model: 944 85 Model life 1985>>1988

Pos	Part Number	Description	Remark	Qty	Model
-	087 300 038 E	Replacement transmission Final-drive housing for Automatic transmission Replacement transmission Ready for installation	944	1	RCF
1	087 409 051 Q	Final-drive housing		1	RCF
2	010 409 847	Breather pipe	-87	2	
2		Breather pipe	88	2	
3	087 409 841	Lid	-87	2	
3		Lid	88	2	
4	111 301 127 E	Screw plug M 24 X 1,5		1	
4	WHT 001 937	Screw plug M 24 X 1,5		1	
5	010 409 549 B	Sealing ring		1	
6	087 409 549	Round seal		1	
7	087 409 623 A	Lid		1	
8	089 409 637 A	O-ring		1	
9	087 409 529 B	Radial shaft seal		2	
10	N 012 028 1	Lock ring A 10		5	
11	900 075 111 08	Hexagon-head bolt M 10 X 30		5	
12	087 409 133	Radial shaft seal		1	
13	082 409 139	Needle-roller bearing		1	
14	011 519 345	Round seal		2	
15	087 409 173	Adjusting ring		2	
16	016 409 399 B	Radial shaft seal		1	
17	087 409 355	Flanged shaft	/L	1	
17	087 409 356	Flanged shaft	/R	1	
18	087 409 359	Screw	/L	1	
18	087 409 360	Screw	/R	1	
19	010 409 257	Tab washer		2	
20	N 012 226 5	Spring washer B 6		2	
21	N 010 215 13	Hexagon-head bolt M 6 X 15		2	
22	019 301 153	Dowel sleeve		2	

Model: 944 85

Model life 1985>>1988



Model: 944 85

Model life 1985>>1988

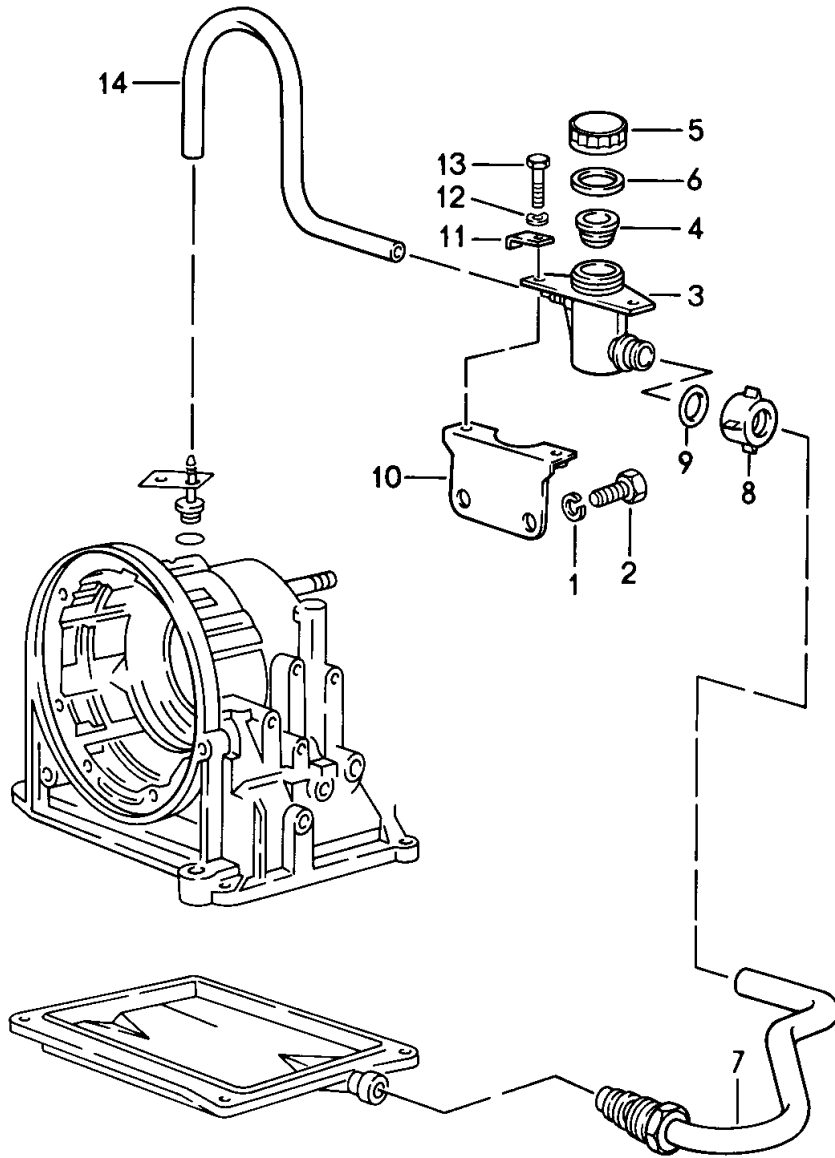
Pos	Part Number	Description	Remark	Qty	Model
1	010 321 101 G	Transmission case Automatic transmission		1	
2	N 900 044 02	Transmission case Stud		4	
2A	N 014 523 2	AM 8A X 56 Stud		2	
3	003 507 133 A	AM 10A X 38 Screw plug		3	
4	010 321 117 B	M 10 X 1 Lever		1	
5	010 321 121 A	for Parking lock		1	
5A	010 321 123	Torsion spring		1	
6	010 321 135	Bolt		1	
7	N 012 436 2	Engaging lever for Parking lock		2	
7	010 321 140	Lock washer G >>RCF 17 11 4		1	
8	N 012 438 1	Lock washer G RCF 18 11 5>>		1	
9	010 321 153 A	Lock washer		1	
9	010 321 153 C	Operating rod G >>RCF 17 11 5		1	
10	010 321 209 C	Operating rod G RCF 18 11 5>>		1	
11	N 023 641 1	Shaft		1	
12	087 321 171 C	Circlip A 10 X 1		1	
13	N 012 226 5	Lever for cable control		1	
14	N 010 224 1	Spring washer B 6		1	
15	N 028 201 2	Hexagon-head bolt M 6 X 3,5		1	
16	010 321 193 B	O-ring 14 X 2,5		1	
17	211 611 179	Locking segment		1	
18	N 012 238 5	Stop washer A 16		1	
19	N 011 164 2	Spring washer B 16		1	
19A	010 321 180 B	Hexagon nut M 16 X 1,5		1	
20	087 321 201 D	Support washer		1	
21	010 321 182	Lever for cable control		1	
22	010 321 215 E	O-ring		1	
23	N 012 228 3	Lever for Kickdown control		1	
24	N 011 008 8	Spring washer B 8		1	
25	010 321 221	Hexagon nut M 8		1	
25A	N 013 325 1	Leaf spring		1	
25B	010 321 227	Tensioning sleeve 6 X 22		1	
25C	010 321 229	Dust boot		1	
25D	N 011 137 1	Spacer		1	
26	900 027 015 02	Hexagon nut M 10 X 1		1	
		Lock ring		1	

Model: 944 85 Model life 1985>>1988

Pos	Part Number	Description	Remark	Qty	Model
26	900 027 015 03	B 8 Lock ring		1	
27	N 010 239 11	B 8 Hexagon-head bolt		1	
27	N 010 239 30	M 8 X 18 Hexagon-head bolt		1	
28	010 321 241 F	M 8 X 18 Oil pump		1	
28A	003 321 263	Gear set for Oil pump		1	
29	003 321 261	Piston ring		2	
30	010 321 261	Piston ring		2	
30A	010 321 279	Plate		1	
30B	003 321 273	Driver		1	
31	010 323 161 A	Thrust washer		1	
31	PCG 323 161 A	Thrust washer		1	
32	N 012 006 4	Lock ring B 6		5	
33	N 010 347 3	Hexagon-head bolt M 6 X 35		5	
34	477 321 303 A	Lid		1	
35	011 321 307	Clip		1	
36	N 012 226 5	Spring washer B 6		1	
37	999 072 005 09	Hexagon nut M 6 X 12		1	
37	999 072 005 01	Hexagon nut M 6 X 12		1	
38	010 321 359 F	Oil pan		1	
39	010 321 371 B	Gasket		1	
40	N 012 038 1	Lock ring A 8		4	
41	N 010 240 16	Hexagon-head bolt M 8 X 20		4	
42	010 321 383 B	Intermediate plate		1	
43	010 321 385 B	Gasket		2	
44	900 014 004 02	Pan-head screw AM 5 X 15		1	
45	003 321 419	O-ring 24,5		1	
46	N 012 228 3	Spring washer B 8		4	
47	N 011 008 8	Hexagon nut M 8		4	

Model: 944 85

Model life 1985>>1988



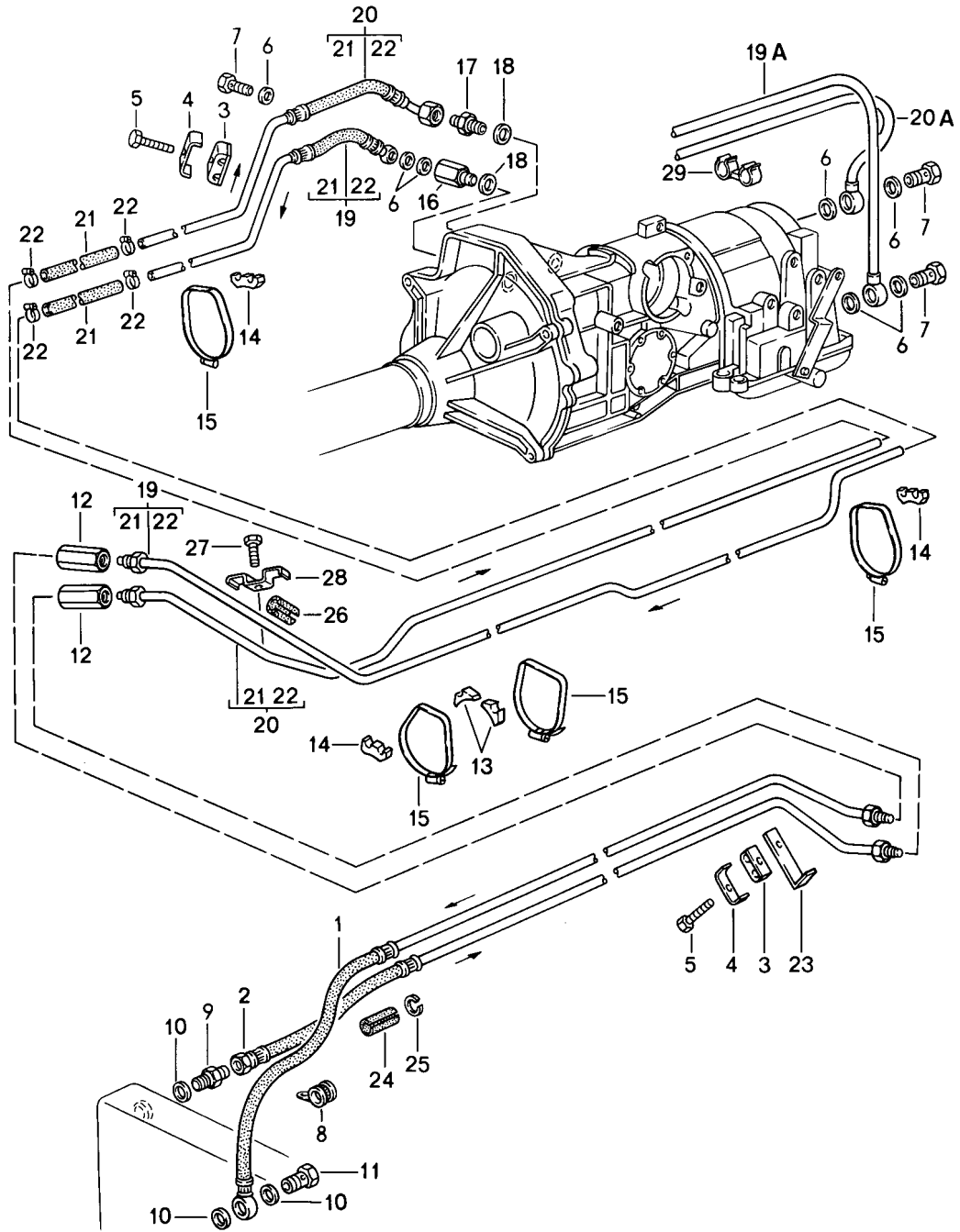
Model: 944 85

Model life 1985>>1988

Pos	Part Number	Description	Remark	Qty	Model
1	N 012 028 1	Oil inlet Automatic transmission		2	
2	N 010 253 7	Lock ring B 10		2	
3	477 321 475	Hexagon-head bolt M 10 X 22		1	
4	477 321 479 A	Filling container		1	
5	477 321 481	Strainer		1	
6	477 321 483 A	Screw-on cap		1	
7	477 321 405	Gasket		1	
8	477 321 485	Filler tube		1	
9	477 321 487	Union nut		1	
10	477 321 491	O-ring 18 X 3		2	
11	477 321 494	Support		1	
12	N 012 226 5	Packing plate		2	
13	N 010 215 13	Spring washer B 6		2	
14	477 321 495	Hexagon-head bolt M 6 X 15		2	
		Hose 340 MM		1	

Model: 944 85

Model life 1985>>1988



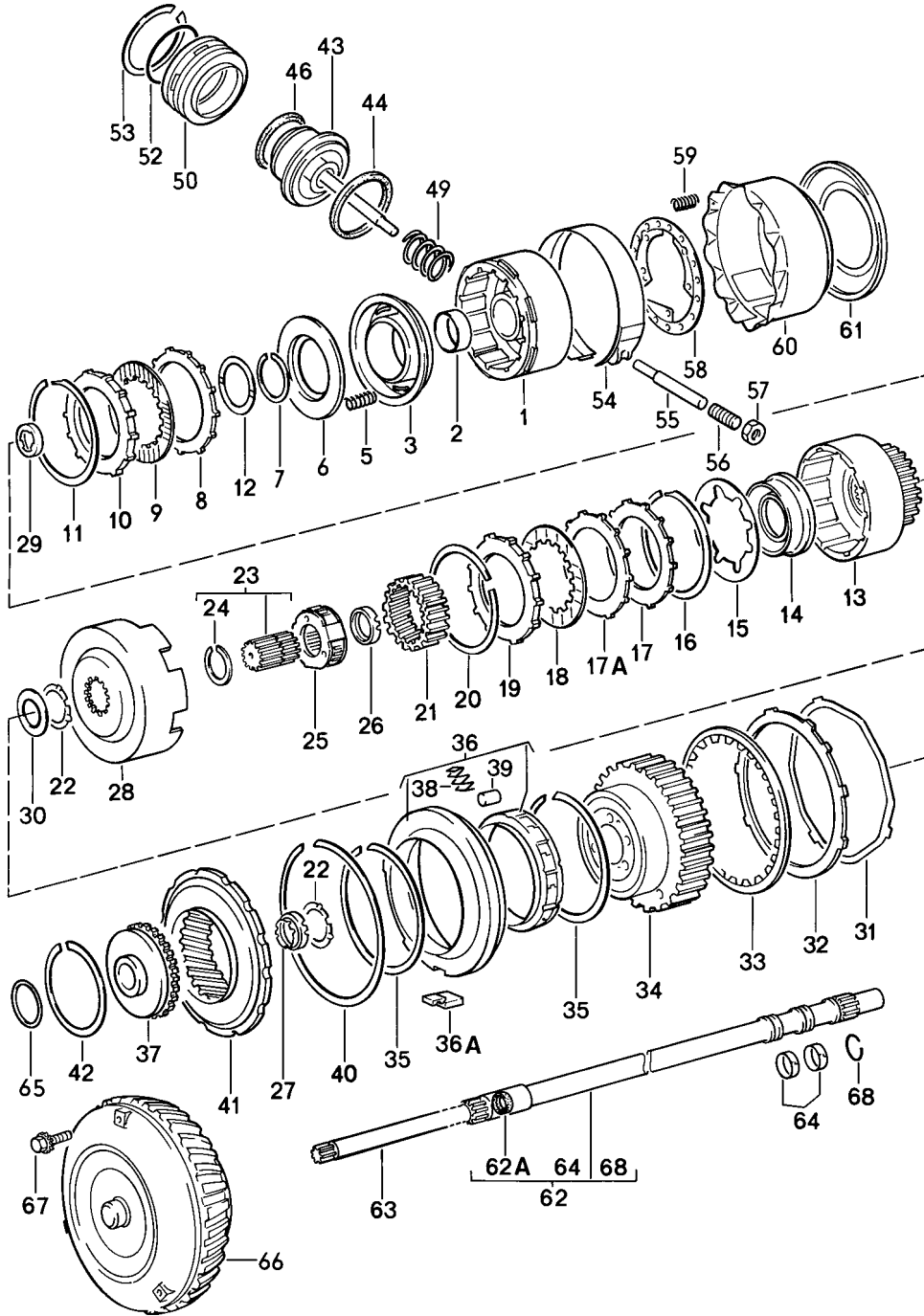
Model: 944 85

Model life 1985>>1988

Pos	Part Number	Description	Remark	Qty	Model
		Oil cooling Automatic transmission			
1	944 307 010 03	Pressure line		1	
2	944 307 011 01	Return line		1	
3	999 511 121 40	Clip		3	
4	928 347 455 00	Shim		3	
5	N 010 220 3	Hexagon-head bolt M 6 X 30		3	
6	900 123 043 30	Sealing ring A 12 X 15,5		3	
7	999 134 018 02	Banjo bolt A 6		1	
8	999 511 118 02	Pipe clamp B 15		1	
8	999 511 118 01	Pipe clamp B 15		1	
9	N 900 450 01	Connection piece ALL 10		1	
10	900 123 007 30	Sealing ring A 14 X 18		3	
11	900 134 007 02	Banjo bolt A 8		1	
11	900 134 007 01	Banjo bolt A 8		1	
11	PCG 134 007 01	Banjo bolt A 8		1	
12	477 209 169	Connecting piece		2	
13	477 723 567	Support		2	
14	944 307 190 00	Support		3	
15	999 512 350 02	Hose clamp LA 80 - 100		4	
16	087 409 057	Union		1	
17	087 409 057 B	Union		1	
18	010 409 563 A	O-ring A 16 X 2,5		2	
19	944 307 004 03	Pressure line		1	
20	944 307 005 02	Return line		1	
20	944 307 005 06	Return line		1	
21	999 181 532 50	Connecting hose		2	
22	999 512 554 00	Hose clamp LB 12 - 22		4	
23	944 107 237 00	Support		2	
24	922 307 121 00	Hose piece		2	
25	900 906 024 00	Circlip		2	
26	431 609 781	Protective tube		2	
27	N 010 215 13	Hexagon-head bolt M 6 X 15		1	
28	999 511 140 02	Pipe clamp		1	

Model: 944 85

Model life 1985>>1988



Model: 944 85

Model life 1985>>1988

Pos	Part Number	Description	Remark	Qty	Model
		Transmission control Automatic transmission			
1	087 323 109	Clutch drum		1	
2	010 323 115	Bearing sleeve		1	
3	010 323 121 B	Piston		1	
5	010 323 129 A	Compression spring		24	
6	010 323 131 A	Concave washer		1	
7	003 323 135 A	Circlip 55		1	
8	087 323 139	Disc with external splines		4	
9	087 323 141 A	Disc with external splines		4	
10	087 323 153	Pressure plate		1	
11	087 323 157 B	Circlip 2,03		1	
11	087 323 157	Circlip 1,50		X	
11	087 323 157 A	Circlip 1,70		X	
11	087 323 157 C	Circlip 2,30		X	
11	087 323 157 D	Circlip 2,50		X	
12	010 323 161 A	Thrust washer		1	
12	PCG 323 161 A	Thrust washer		1	
13	087 323 209	Clutch bell-housing		1	
14	010 323 217 A	Piston		1	
15	010 323 229 D	Cup spring Forward clutch		1	
16	010 323 157	Circlip 2,03		1	
17	010 323 237 A	Pressure plate		1	
17A	010 323 139	Disc with external splines Forward clutch		4	
18	010 323 241 B	Inner disc		5	
19	010 323 253 G	Pressure plate 2,30		1	
19	010 323 253 H	Pressure plate 2,70		X	
19	010 323 253 J	Pressure plate 3,10		X	
19	010 323 253 K	Pressure plate 3,50		X	
19	010 323 253 L	Pressure plate 3,90		X	
20	010 323 159 B	Lock ring		1	
21	010 323 273 C	Ring gear		1	
22	010 323 291 A	Thrust washer		1	
23	010 323 285 F	Sun gear		1	
24	N 042 465 1	Circlip		1	
25	010 323 303 F	Planet-gear carrier		1	
26	010 323 340 D	Needle-roller bearing		1	
27	010 323 339 D	Needle-roller bearing		1	
28	087 323 281	Driving shell		1	
29	010 321 157 A	Needle-roller bearing		1	
30	010 323 293 C	Thrust washer		1	
32	010 323 227 A	Disc with external splines		4	
33	010 323 231 C	Inner disc		4	
34	010 323 805 F	Planet-gear carrier		1	
35	010 323 651	Circlip		2	
36	010 323 383 C	Free wheel lock 1st gear		1	
36A	010 323 389 E	Feather key		1	
37	087 323 373	Hub		1	

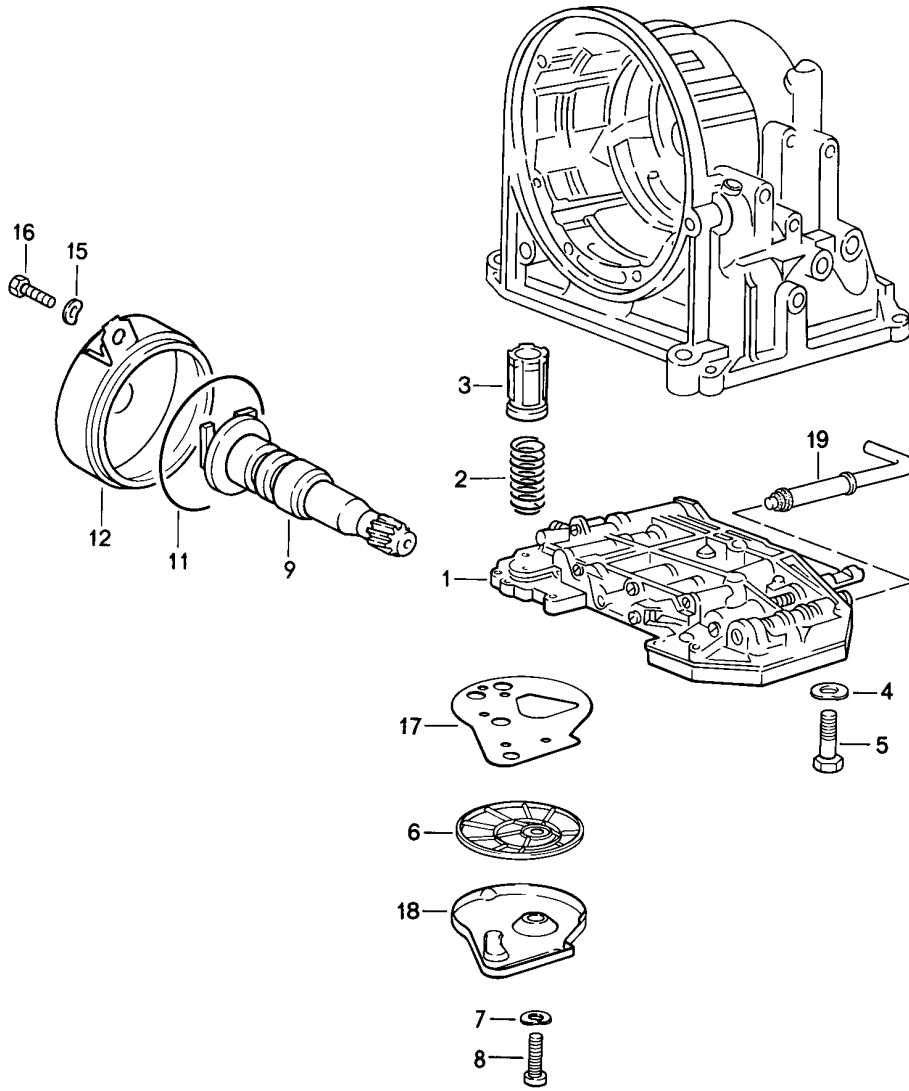
Model: 944 85

Model life 1985>>1988

Pos	Part Number	Description	Remark	Qty	Model
38	010 323 643	Compression spring		10	
39	N 026 360 1	Roller		10	
40	010 323 653 A	Circlip		1	
41	090 323 363 B	Ring gear		1	
42	010 323 369 A	Circlip		1	
43	087 323 512 A	Piston		1	
44	003 323 525 A	Sealing ring		1	
46	010 323 487 C	Sealing ring		1	
49	010 323 505 A	Compression spring		1	
50	087 323 529	Lid		1	
52	010 323 533	Round seal		3	
53	010 323 537 A	Circlip		1	
54	010 323 461 A	Brake band		1	
54		Brake band		1	
55	010 323 543 A	Bolt		1	
56	010 323 455 A	Adjusting screw		1	
57	N 011 162 9	Hexagon nut M 12 X 1,5		1	
58	010 323 497 C	Supporting plate		1	
59	010 323 489 B	Compression spring		20	
60	010 323 493 G	Pipe		1	
61	010 323 477	Piston		1	
62	087 323 553 A	Turbine shaft		1	
62A	087 323 559	Sealing ring		1	
63	010 323 561 A	Oil pump shaft		1	
64	010 323 557 A	Piston ring		2	
65	010 323 345 C	Adjusting shim 0,40		1	
(65)	010 323 346 C	Adjusting shim 1,20		X	
66	082 323 571	Converter		1	RCF
67	003 323 699 A	Hexagon-head bolt		3	
67	003 323 699 B	Hexagon-head bolt		3	
68	010 323 558	Wire ring		1	

Model: 944 85

Model life 1985>>1988



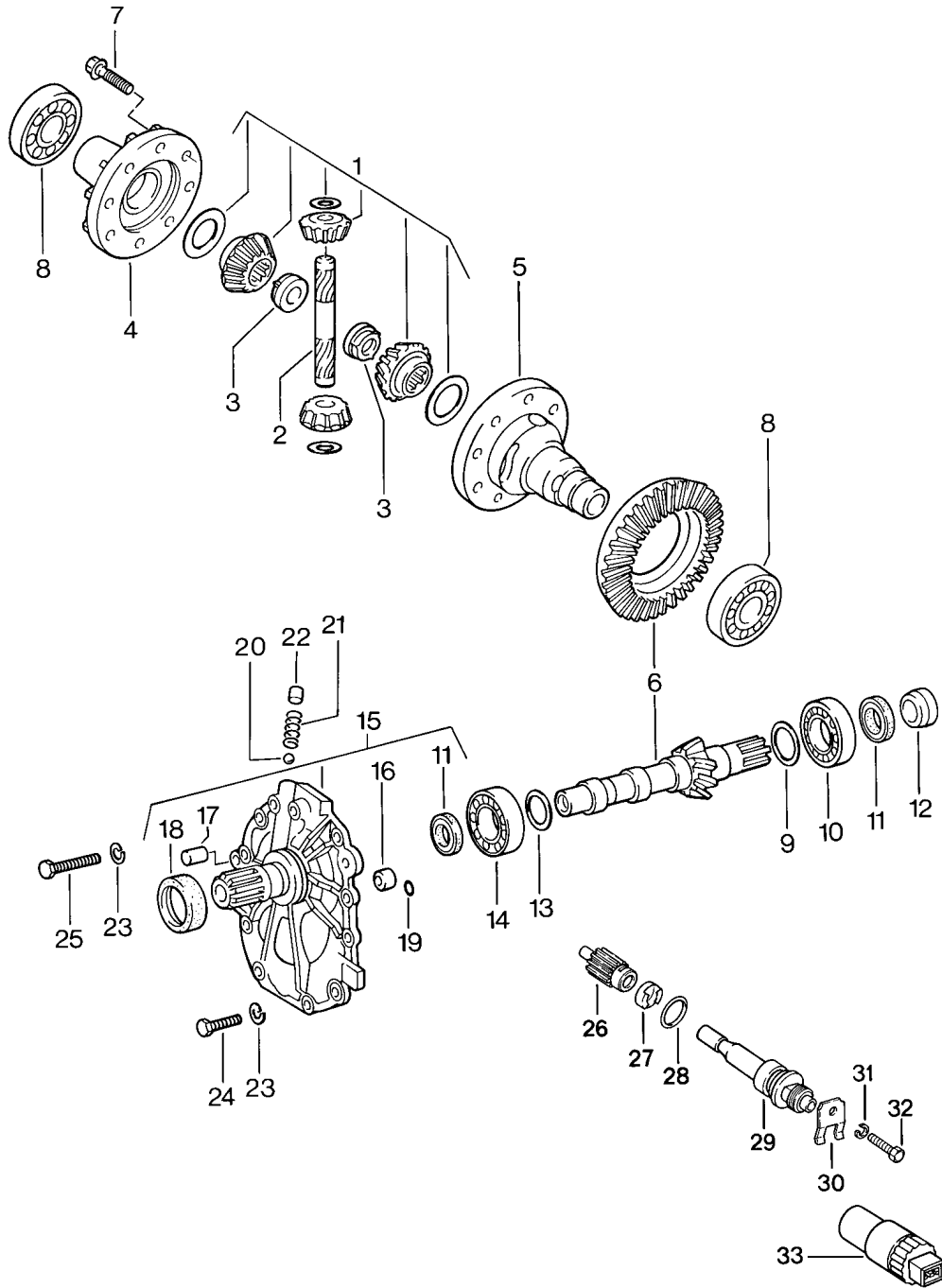
Model: 944 85

Model life 1985>>1988

Pos	Part Number	Description	Remark	Qty	Model
		Slide-valve gearbox			
		Oil strainer			
		Regulator			
		Automatic transmission			
1	087 325 037 C	Slide-valve gearbox		1	RCE
1	087 325 037 J	Slide-valve gearbox		1	RCF
2	003 325 417	Compression spring		1	
3	003 325 405 F	Piston		1	
4	N 012 226 5	Spring washer B 6		11	
5	N 010 346 5	Hexagon-head bolt M 6 X 30		11	
6	010 325 421 A	Oil strainer B 5		1	
8	900 014 004 02	Pan-head screw AM 5 X 15		2	
9	087 325 041 B	Regulator		1	
11	011 519 345	Round seal		1	
12	089 325 371 A	Lid		1	
15	N 012 228 3	Spring washer B 8		2	
16	N 010 240 16	Hexagon-head bolt 8 X 20		2	
17	010 325 443	Gasket		1	
18	010 325 429 A	Lid		1	
19	010 325 277	Manual valve		1	

Model: 944 85

Model life 1985>>1988



Model: 944 85

Model life 1985>>1988

Pos	Part Number	Description	Remark	Qty	Model
1	016 598 081 A	Differential Automatic transmission Repair kit		1	
1	951 333 951 00	Differential pinions Differential pinions Differential pinions		1	
2	087 409 177	Axle		1	
3	016 409 161	Lock nut		2	
4	087 409 365	Lid		1	
5	087 409 121	Differential housing		1	
6	087 409 143 J	Ring gear and pinion shaft 11:38		1	RCF
7	087 409 135 A	Hexagon-head bolt M 10 X 1 X 24		10	
8	113 517 185 C	Taper roller bearing		2	
8	113 517 185 B	Taper roller bearing		2	
9	087 409 641 D	Adjusting shim 1,10		1	
9	087 409 641 E	Adjusting shim 1,125		X	
9	087 409 641 F	Adjusting shim 1,15		X	
9	087 409 641 G	Adjusting shim 1,175		X	
9	087 409 641 H	Adjusting shim 1,20		X	
9	087 409 641 J	Adjusting shim 1,225		X	
9	087 409 641 K	Adjusting shim 1,25		X	
9	087 409 641 L	Adjusting shim 1,275		X	
9	087 409 641 M	Adjusting shim 1,30		X	
9	087 409 641 N	Adjusting shim 1,325		X	
9	087 409 641 P	Adjusting shim 1,35		X	
9	087 409 641 Q	Adjusting shim 1,375		X	
9	087 409 641 R	Adjusting shim 1,40		X	
9	087 409 641 S	Adjusting shim 1,425		X	
9	087 409 641 T	Adjusting shim 1,45		X	
9	087 409 641 AA	Adjusting shim 1,475		X	
9	087 409 641 AB	Adjusting shim 1,50		X	
9	087 409 641 AC	Adjusting shim 1,525		X	
9	087 409 641 AD	Adjusting shim 1,55		X	
9	087 409 641 AE	Adjusting shim 1,575		X	
9	087 409 641 AF	Adjusting shim 1,60		X	
9	087 409 641 AG	Adjusting shim 1,625		X	
9	087 409 641 AH	Adjusting shim 1,65		X	
9	087 409 641 AJ	Adjusting shim		X	

Model: 944 85 Model life 1985>>1988

Pos	Part Number	Description	Remark	Qty	Model
9	087 409 641 AK	1,675 Adjusting shim		X	
9	087 409 641 AL	1,70 Adjusting shim		X	
9	087 409 641 AM	1,725 Adjusting shim		X	
9	087 409 641 AN	1,75 Adjusting shim		X	
9	087 409 641 AP	1,775 Adjusting shim		X	
9	087 409 641 AQ	1,80 Adjusting shim		X	
9	087 409 641 AR	1,825 Adjusting shim		X	
9	087 409 641 AS	1,85 Adjusting shim		X	
9	087 409 641 AT	1,875 Adjusting shim		X	
10	087 409 551 C	1,90 Taper roller bearing		1	
11	087 409 085 B	Radial shaft seal		2	
12	087 409 639 A	Bush		1	
13	082 519 141 AE	Adjusting shim		1	
13	082 519 141 AF	1,10 Adjusting shim		X	
13	082 519 141 AG	1,125 Adjusting shim		X	
13	082 519 141 AH	1,15 Adjusting shim		X	
13	082 519 141 AJ	1,175 Adjusting shim		X	
13	082 519 141 AK	1,20 Adjusting shim		X	
13	082 519 141 AL	1,225 Adjusting shim		X	
13	082 519 141 AM	1,25 Adjusting shim		X	
13	082 519 141 AN	1,275 Adjusting shim		X	
13	082 519 141 AP	1,30 Adjusting shim		X	
13	082 519 141 AQ	1,325 Adjusting shim		X	
13	082 519 141 AR	1,35 Adjusting shim		X	
13	082 519 141 AS	1,375 Adjusting shim		X	
13	082 519 141 AT	1,40 Adjusting shim		X	
13	082 519 141 BA	1,425 Adjusting shim		X	
13	082 519 141 BB	1,45 Adjusting shim		X	
13	082 519 141 BC	1,475 Adjusting shim		X	
13	082 519 141 BD	1,50 Adjusting shim		X	
13	082 519 141 BE	1,525 Adjusting shim		X	
13	082 519 141 BF	1,55 Adjusting shim		X	
13	082 519 141 BG	1,575 Adjusting shim		X	

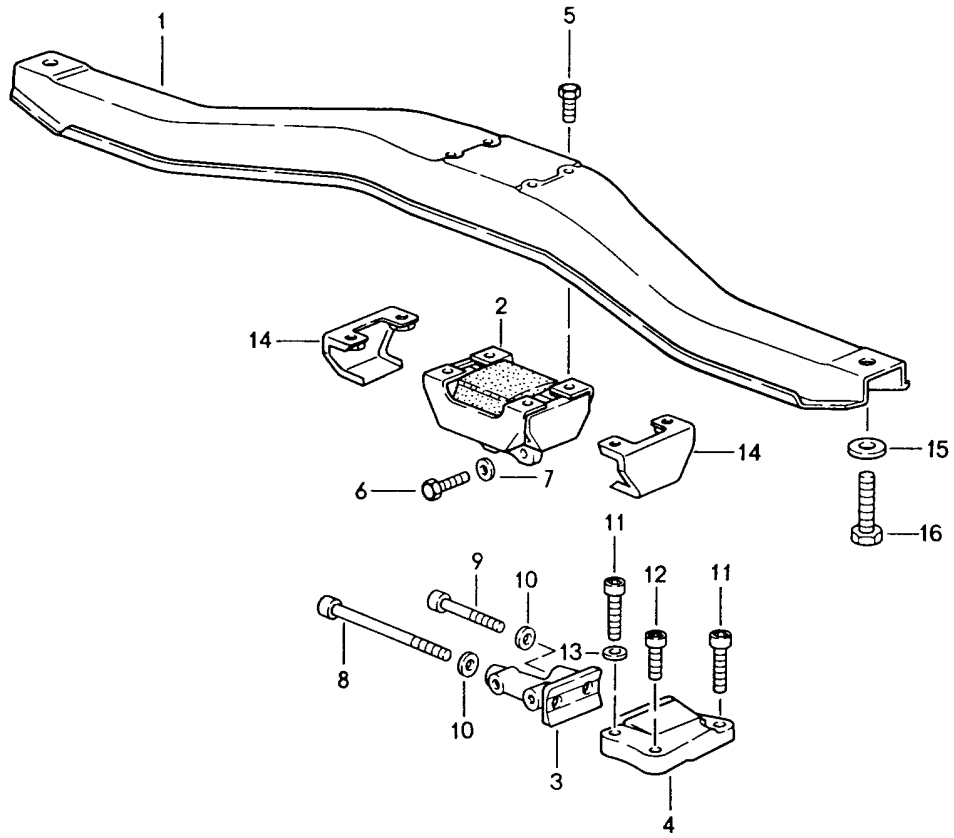
Model: 944 85

Model life 1985>>1988

Pos	Part Number	Description	Remark	Qty	Model
13	082 519 141 BH	1,60 Adjusting shim		X	
13	082 519 141 BJ	1,625 Adjusting shim		X	
13	082 519 141 BK	1,65 Adjusting shim		X	
13	082 519 141 BL	1,675 Adjusting shim		X	
13	082 519 141 BM	1,70 Adjusting shim		X	
13	082 519 141 BN	1,725 Adjusting shim		X	
13	082 519 141 BP	1,75 Adjusting shim		X	
13	082 519 141 BQ	1,775 Adjusting shim		X	
13	082 519 141 BR	1,80 Adjusting shim		X	
13	082 519 141 BS	1,825 Adjusting shim		X	
13	082 519 141 BT	1,85 Adjusting shim		X	
13	082 519 141 CA	1,875 Adjusting shim		X	
14	003 519 251	1,90 Taper roller bearing		1	
15	087 409 524 C	Lid		1	
16	019 301 153	Dowel sleeve		1	
17	N 022 301 1	Straight pin A 10 X 20		1	
18	010 409 568	Radial shaft seal		1	
19	089 409 637 A	O-ring 6 X 2		2	
20	N 025 657 1	Ball		1	
21	089 409 713	Compression spring		1	
22	087 409 095	Lid		2	
23	900 027 015 02	Lock ring A 8		11	
23	900 027 015 03	Lock ring A 8		11	
24	N 010 233 6	Hexagon-head bolt M 8 X 28		9	
24	900 075 136 03	Hexagon-head bolt M 8 X 28		9	
25	N 040 276 1	Hexagon-head bolt M 8 X 52		2	
26	010 409 196	Pinion		1	
27	010 409 189	Circlip		1	
28	003 321 419	O-ring		1	
29	010 409 193	Pinion support		1	
30	010 409 195 A	Support		1	
31	N 012 036 1	Lock ring		1	
32	N 010 215 13	Hexagon-head bolt M 6 X 15		1	
33	944 606 210 01	Pulse sender		1	
-	087 409 187	Drive pinion		1	
-	087 409 189	Bush for Speedometer drive		1	

Model: 944 85

Model life 1985>>1988



Model: 944 85

Model life 1985>>1988

Pos	Part Number	Description	Remark	Qty	Model
		Transmission suspension			
		Automatic transmission			
1	944 375 024 03	Transmission carrier		1	
2	944 375 045 04	Transmission mounting		1	
3	944 375 287 03	Support		1	
4	944 375 285 02	Suspender bracket		1	
5	900 075 087 02	Hexagon-head bolt		1	
		M 8 X 16			
5	900 075 087 03	Hexagon-head bolt		1	
		M 8 X 16			
6	900 075 099 02	Hexagon-head bolt		2	
		M 8 X 30			
6	900 075 099 03	Hexagon-head bolt		2	
		M 8 X 30			
7	900 025 007 02	Washer		4	
		A 8,4			
7	900 025 007 03	Washer		4	
		A 8,4			
8	N 100 359 03	Pan-head screw		1	
		M 10 X 140			
9	N 014 752 3	Pan-head screw		1	
		M 10 X 70			
10	900 025 008 09	Washer		2	
		A 10,5			
10	900 025 008 04	Washer		2	
		A 10,5			
11	N 014 733 1	Pan-head screw		2	
		M 10 X 50			
12	900 067 124 02	Pan-head screw		1	
		M 10 X 35			
13	900 031 005 02	Washer		3	
13	900 031 005 03	Washer		3	
14	944 375 079 01	Stop		2	
15	477 407 425	Washer		2	
16	N 010 449 2	Hexagon-head bolt		2	
16	900 074 373 01	Hexagon-head bolt		2	

Model: 944 85

Model life 1985>>1988



Model: 944 85 Model life 1985>>1988

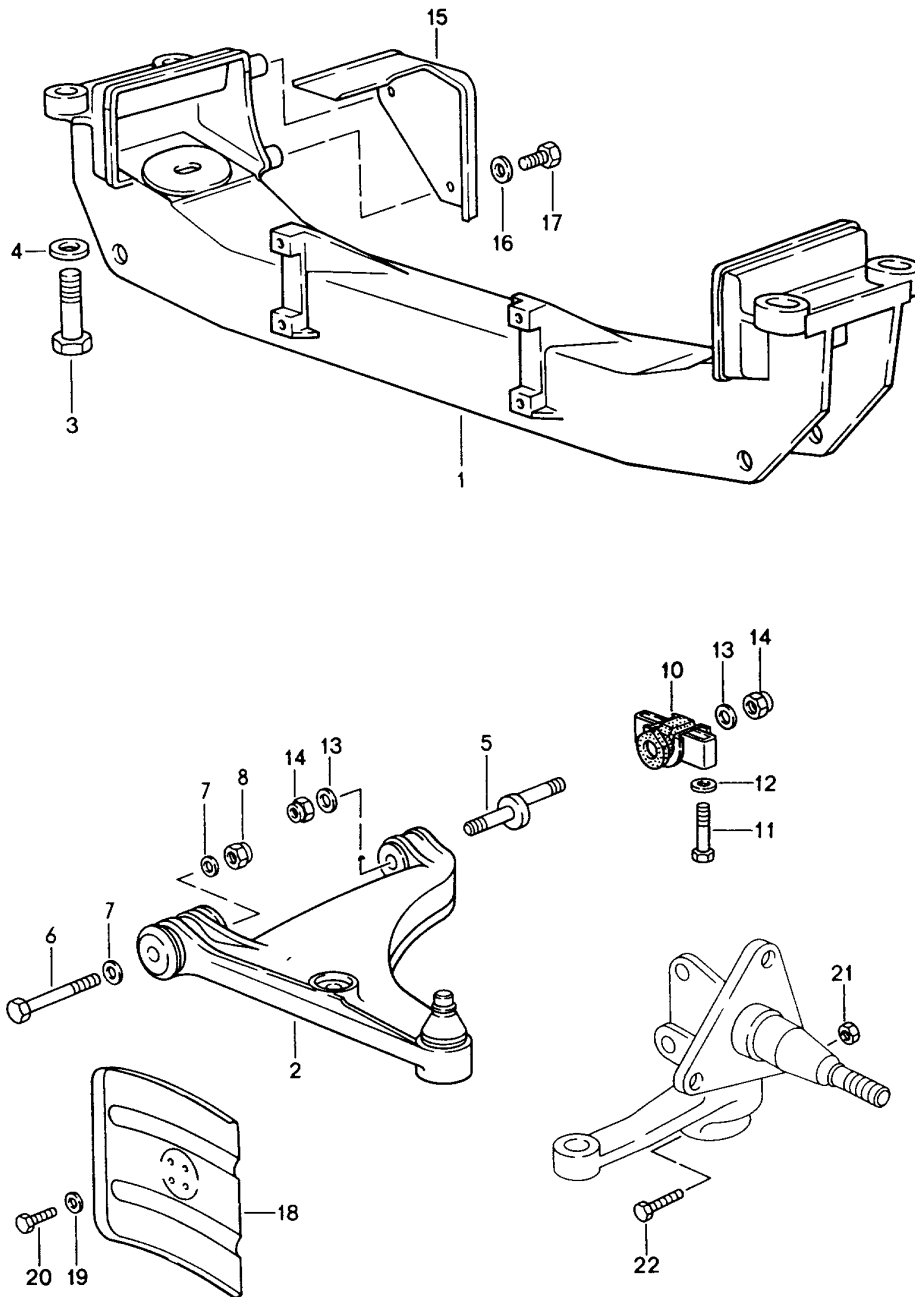
Pos	Part Number	Description	Remark	Qty	Model
>>	477 300 912 B	Repair kits Gasket set for Manual transmission Comprising:		1	
-	928 303 120 01	Shaft sealing ring		1	
-	016 409 399 B	Radial shaft seal		2	
-	113 301 185 A	O-ring		1	
-	016 301 235 C	Gasket		1	
-	088 311 599	Sealing ring		2	
-	016 311 113 C	Radial shaft seal		1	
-	016 301 455 A	Gasket		1	
-	005 311 599	Sealing ring		1	
-	084 311 719	Sealing ring		1	
>>	477 398 001	Gasket set for Automatic transmission Comprising:		1	
-	010 321 182	O-ring		1	
-	010 321 371 B	Gasket		1	
-	010 321 385 B	Gasket		1	
-	003 321 419	O-ring		2	
-	010 323 117	Sealing ring		1	
-	010 323 119	Sealing ring		1	
-	010 323 487 C	Sealing ring		1	
-	003 323 525 A	Sealing ring		1	
-	010 323 533	Round seal		3	
-	087 409 085 B	Radial shaft seal		2	
-	087 409 133	Radial shaft seal		1	
-	016 409 399 B	Radial shaft seal		2	
-	087 409 529 B	Radial shaft seal		2	
-	010 409 549 B	Sealing ring		1	
-	087 409 549	Round seal		1	
-	010 409 568	Radial shaft seal		1	
-	089 409 637 A	O-ring		1	
-	011 519 345	Round seal		3	
-	N 028 201 2	O-ring		1	
>>	951 333 951 00	Differential pinions Differential pinions Use also: 088.409.249.A 088.409.249.B		1	RH RCA RCB QK QL QM
>>	000 043 106 00	Installation set Oil cooling for subsequent installation Comprising:		1	M249
-	944 307 313 00	Connection piece		1	
-	900 123 007 30	Sealing ring		4	
-	928 606 217 00	Temperature switch		1	
-	944 307 311 00	Double hollow screw		1	
-	000 043 106 01	Installation instructions		1	
-	951 116 911 00	Repair kit for Clutch Comprising: Pressure plate Clutch plate Clutch release bearing		1	M44.50/51/52
-	944 116 911 00	Repair kit for Clutch POSITION 1+2+3		1	M44.05/07/09 M44.40

Model: 944 85 Model life 1985>>1988

Pos	Part Number	Description	Remark	Qty	Model
-	944 116 911 01	Repair kit for Clutch POSITION 1+2+3		1	M44.05/07/09 M44.40

Model: 944 85

Model life 1985>>1988

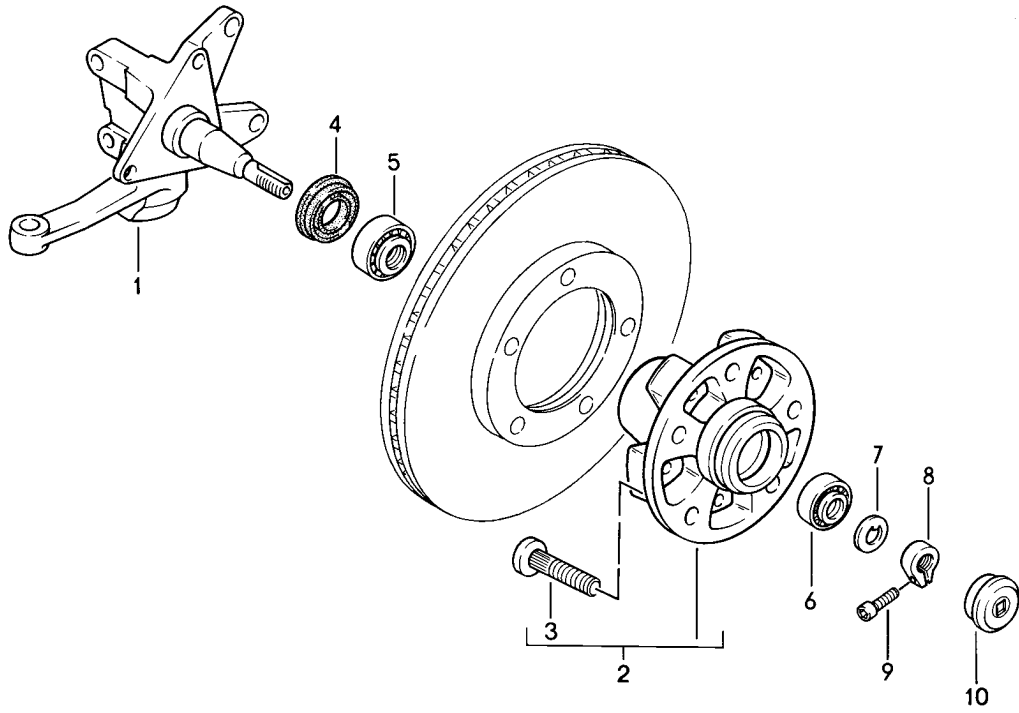


Model: 944 85 Model life 1985>>1988

Pos	Part Number	Description	Remark	Qty	Model
		Wishbone			
		Cross member			
1	944 341 103 07	Cross member	/LL	1	
2	951 341 027 00	Wishbone	/L -86	1	
2	951 341 028 00	Wishbone	/R -86	1	
2	944 341 027 02	Wishbone	/L 87-	1	
2	944 341 927 31	Wishbone	/L 87-	1	
		Only together with 944.341.928.31			
2	944 341 028 02	Wishbone	/R		
2	944 341 928 31	Wishbone	/R 87-	1	
		Only together with 944.341.927.31			
2	944 341 927 31	Wishbone	/L		
2	944 341 928 31	Wishbone	/L 87-	1	M030/758
3	N 010 183 1	Hexagon-head bolt	/R 87-	1	M030/758
		M 12 X 75		4	
4	999 025 074 02	Washer		4	
		12,4 X 34 X 5			
4	999 025 074 01	Washer		4	
		12,4 X 34 X 5			
5	951 341 431 02	Eccentric bolt		2	
5	951 341 431 03	Eccentric bolt		2	
6	900 082 039 02	Hexagon-head bolt		2	
		M 12 X 1,5 X 100			
7	900 025 009 02	Washer		2	
		A 13			
8	N 021 131 1	Lock nut		2	
		M 12 X 15			
10	951 341 023 00	Rubber mounting		2	
(10)	951 341 023 01	Rubber mounting		2	
10	951 341 023 30	Rubber mounting		2	M030/758
11	N 040 321 1	Hexagon-head bolt		4	
		M 10 X 65			
12	900 223 011 01	Washer		4	
12	900 223 011 02	Washer		4	
13	900 223 010 02	Washer		4	
14	N 021 131 1	Lock nut		4	
15	951 341 108 02	Heat protection plate	/LL	1	
(15)	951 341 107 00	Heat protection plate	/LL	1	TURBO
16	N 011 524 7	Washer		2	
		A 6			
16	N 011 524 27	Washer		2	
		A 6			
17	N 010 215 13	Hexagon-head bolt		2	
		M 6 X 15			
18	951 341 590 00	Air baffle plate		2	TURBO
19	N 011 666 7	Washer		8	TURBO
		B 6,4			
20	999 072 005 09	Hexagon nut		8	TURBO
		M 6 X 12			
20	999 072 005 01	Hexagon nut		8	TURBO
		M 6 X 12			
21	N 021 130 2	Lock nut		2	
		VM 10			
21	N 022 149 2	Lock nut		2	
		VM 10			
22	N 010 445 6	Hexagon-head bolt		2	
		M 10 X 45 X 20			
22	900 074 372 02	Hexagon-head bolt		2	
		M 10 X 45 X 20			

Model: 944 85

Model life 1985>>1988

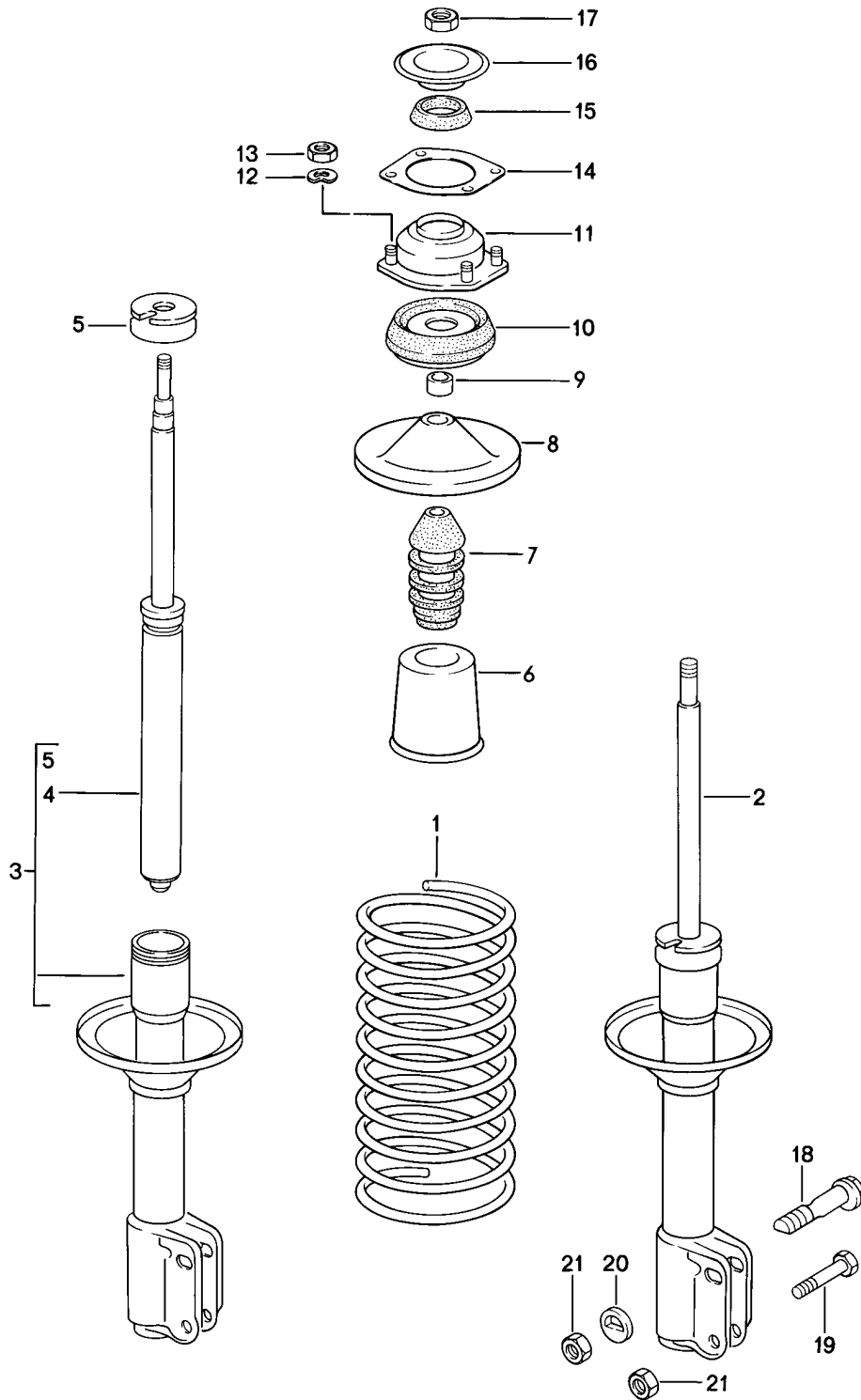


Model: 944 85 Model life 1985>>1988

Pos	Part Number	Description	Remark	Qty	Model
-	PCG 043 110 00	Steering knuckle Lubricants Grease Bearing 200 GR.		1	
1	477 407 311 N	Steering knuckle	/L -86	1	944
1	477 407 312 L	Steering knuckle	/R -86	1	944
(1)	951 341 655 01	Steering knuckle	/L -86	1	TURBO
(1)	951 341 656 01	Steering knuckle	/R -86	1	TURBO
1	944 341 655 06	Steering knuckle	/L 87-	1	944,944 S
1	944 341 656 06	Steering knuckle	/R 87-	1	944,944 S
1	951 341 655 06	Steering knuckle	/L 87-	1	TURBO
1	951 341 656 06	Steering knuckle	/R 87-	1	TURBO
1	951 341 655 34	Steering knuckle	/L 87-	1	M030/758
1	951 341 656 34	Steering knuckle	/R 87-	1	M030/758
2	477 405 065 B	Front wheel hub	-86	2	944
(2)	951 341 065 00	Front wheel hub	-86	2	TURBO
2	951 341 065 06	Front wheel hub	87-	2	
2	951 341 065 08	Front wheel hub	87-	2	M030/758
3	904 341 671 00	Wheel bolt	-86	10	
3	993 331 671 02	Wheel bolt		10	
3	928 341 671 02	Wheel bolt	87-	10	
4	477 405 641	Radial sealing ring		2	
5	999 059 098 00	Taper roller bearing	-86	2	
5	999 059 090 00	Taper roller bearing	87-	2	
6	999 059 065 00	Taper roller bearing	-86	2	
6	999 059 089 01	Taper roller bearing	87-	2	
7	911 341 663 00	Thrust washer		2	
8	911 341 673 00	Clamping nut		2	
9	999 119 001 01	Pan-head screw		2	
9	999 119 001 0B	Pan-head screw		2	
10	477 405 692 C	Cap		2	

Model: 944 85

Model life 1985>>1988



Model: 944 85 Model life 1985>>1988

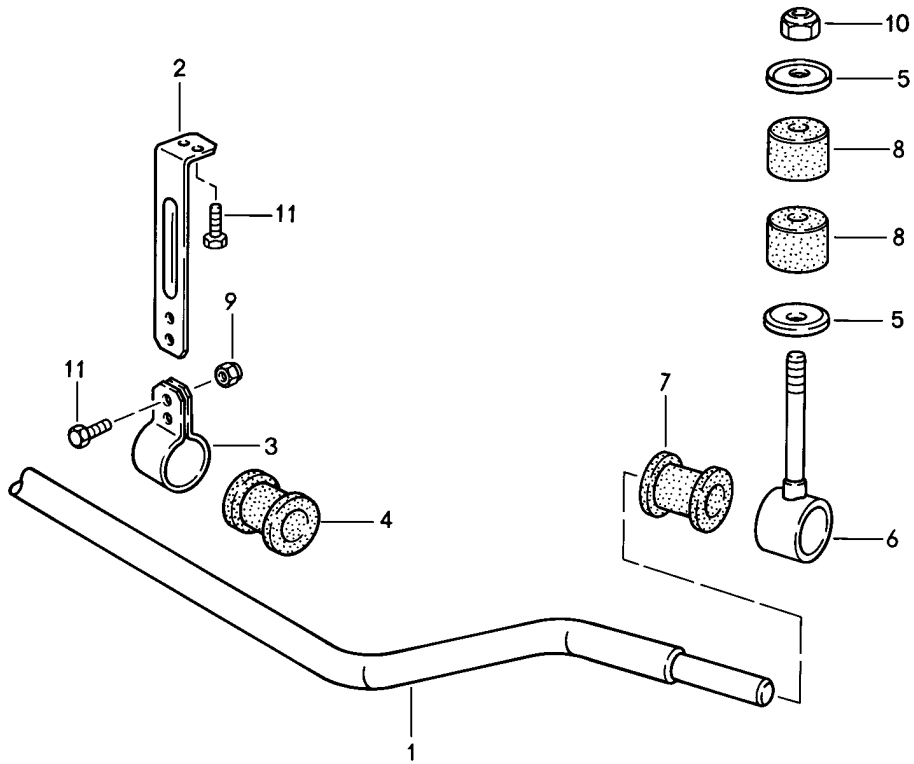
Pos	Part Number	Description	Remark	Qty	Model
1	477 411 105 Q	suspension Shock absorber Front See technical information GR.4, NR.2/92 Coil spring 1 set Identification		1	944
(1)	477 411 105 Q 954	Blue			
	477 411 105 S	Coil spring 1 set Identification		1	944
	477 411 105 S 954	Blue			
1	951 343 531 00	Coil spring 1 set Identification		1	944S
	951 343 531 00 904	White			
1	951 343 531 01	Coil spring 1 set Identification		1	TURBO 944S M474
	951 343 531 01 104	Yellow			
1	477 411 105 G	Coil spring 1 set Identification	-86	1	944 M030
	477 411 105 G 954	Red			
1	477 411 105 R	Coil spring 1 set Identification	-86	1	944 M030
	477 411 105 R 954	Red			
1	944 343 531 00	Coil spring 1 set Identification	87-	1	944/944S M030
	944 343 531 00 954	Blue			
1	944 343 531 01	Coil spring 1 set Identification	87-	1	TURBO M030 M758
	944 343 531 01 104	Yellow			
1	944 343 531 33	Coil spring 1 set Identification	87-	1	TURBO M030 M758
	944 343 531 33 104	Yellow			
2	944 343 031 12	Vibration damper - fichtel + sachs -	/L -86	1	944
2	944 343 032 12	Vibration damper - fichtel + sachs -	/R -86	1	944
2	944 343 031 17	Shock absorber - fichtel + sachs -	/L 87-	1	944/944S
2	944 343 032 17	Shock absorber - fichtel + sachs -	/R 87-	1	944/944S
2	951 343 031 05	Shock absorber - fichtel + sachs -	/L	1	TURBO
2	951 343 032 05	Shock absorber - fichtel + sachs -	/R	1	TURBO
3	944 343 031 11	Vibration damper	/L -86	1	944 M474

Model: 944 85 Model life 1985>>1988

Pos	Part Number	Description	Remark	Qty	Model
3	944 343 032 11	- koni - Vibration damper	/R -86	1	944 M474
3	951 343 031 06	- koni - Shock absorber	/L	1	M474
3	951 343 032 06	- koni - Shock absorber	/R	1	TURBO M474
3	944 343 051 00	- koni - Shock absorber	/L -86	1	TURBO 944 M030
3	944 343 052 00	- koni - Shock absorber	/R -86	1	944 M030
3	951 343 031 32	- koni - Vibration damper	/L 87-	1	M030
3	951 343 032 32	- koni - Vibration damper	/R 87-	1	M030
-	951 343 524 00	Use also: Adjusting nut		1	
-	951 343 525 32	Concave washer		1	
4	944 343 059 00	Vibration damper	-86	2	944 M474
5	171 412 045	Insert - koni - Union nut		2	
6	171 412 135	Boot	-86	2	944
6	431 412 135	Boot	87-	2	944/944S
6		Boot		2	TURBO
6	951 343 529 30	Boot		2	M030
7	171 412 303 C	Rubber stop	-86	2	944
7	951 343 527 00	Rubber stop	87-	2	944/944S
(7)		Rubber stop		2	TURBO
8	133 412 341	Concave washer		2	
9	823 412 365	Spacer sleeve		2	
10	944 343 071 00	Suspension strut mounting	-86	2	
10	944 343 071 01	Suspension strut mounting		2	
11	477 412 345	Bearing flange	-86	2	
11	951 343 018 04	Suspension strut mounting	87-	2	
11	951 343 018 30	Suspension strut mounting	87-	2	M030
-	944 343 903 01	Insulation for Suspension strut mounting		2	
12	N 012 228 3	Spring washer B 12		8	
13	N 011 008 8	Hexagon nut M 8		8	
(14)	133 412 367	Sealing ring		2	
15	477 412 411	Stop ring	-86	2	
16	477 412 147	Stop	-86	2	
16	477 412 147 A	Stop		2	
17	N 022 150 1	Lock nut VM 14 X 1,5		2	
18	171 407 265	Eccentric screw		2	
19	900 082 058 02	Hexagon-head bolt M 12 X 1,5 X 50		2	
19		Hexagon-head bolt M 12 X 1,5 X 50		2	
20	944 343 175 00	Eccentric washer		2	
21	N 022 141 4	Lock nut VM 12 X 1,5		4	
-	999 703 346 40	Stopper		2	

Model: 944 85

Model life 1985>>1988

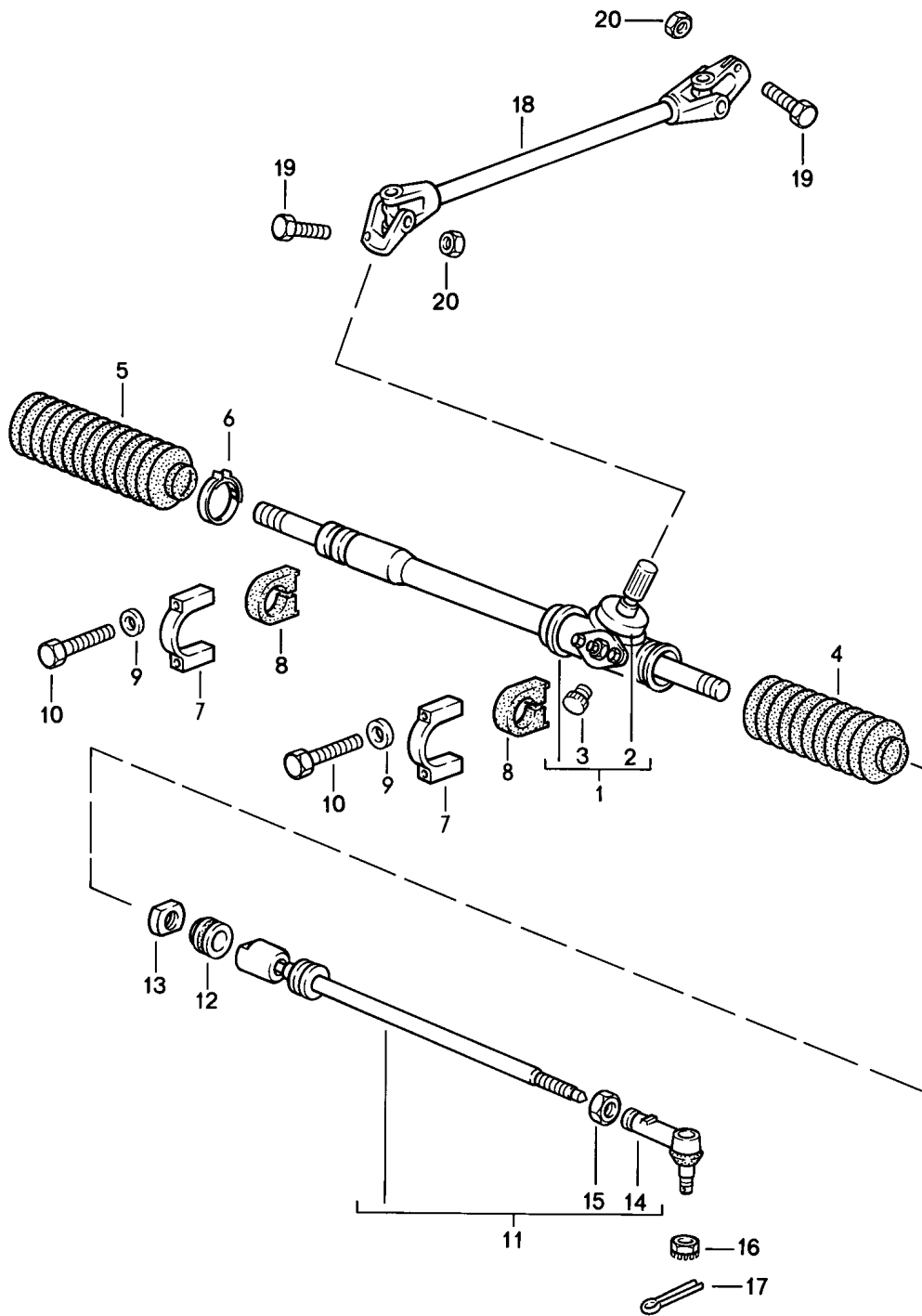


Model: 944 85 Model life 1985>>1988

Pos	Part Number	Description	Remark	Qty	Model
1	944 343 707 00	Stabiliser Stabiliser 20 MM	-86	1	944
1	944 343 706 00	Stabiliser 23 MM	-86	1	M030/404
1	944 343 706 02	Stabiliser 24 MM	-86	1	TURBO
1	944 343 707 01	Stabiliser 21,5 MM	87-	1	944,944S
1	944 343 706 04	Stabiliser 25,5 MM	87-	1	TURBO,944 944S M404
1	944 343 706 05	Stabiliser 26,8 MM	87-	1	M030/758
2	944 343 733 00	Suspension	-86	2	
2	944 343 733 01	Suspension	87-	2	
3	944 343 731 00	Clip	-86	2	
3	944 343 731 02	Clip	87-	2	
3		Clip	87-	2	
4	477 411 053 G	Rubber bush 20 MM	-86	2	944
4	477 411 053 J	Rubber bush 23 MM	-86	2	M030/404
4	477 411 053 K	Rubber bush 24 MM	-86	2	TURBO
4	951 343 794 07	Rubber bush 21,5 MM	87-	2	944,944S
4	951 343 794 02	Rubber bush 25,5 MM		2	TURBO
4	951 343 794 04	Rubber bush 26,8 MM	87-	2	M030/758
5	477 411 043	Concave washer		4	
6	951 343 075 00	Mounting		2	
7	951 343 793 00	Rubber bush for Stabiliser 20 MM ; 21,5 MM ; 23 MM ; 24 MM		2	
7	951 343 793 30	Rubber bush for Stabiliser 25,5 MM ; 26,8 MM		2	
8	951 343 795 01	Rubber mounting		4	
9	900 910 022 09	Lock nut VM 8		4	
9	900 910 022 03	Lock nut VM 8		4	
10	N 900 876 01	Lock nut VM 10		2	
11	900 075 079 02	Hexagon-head bolt M 8 X 22		4	

Model: 944 85

Model life 1985>>1988

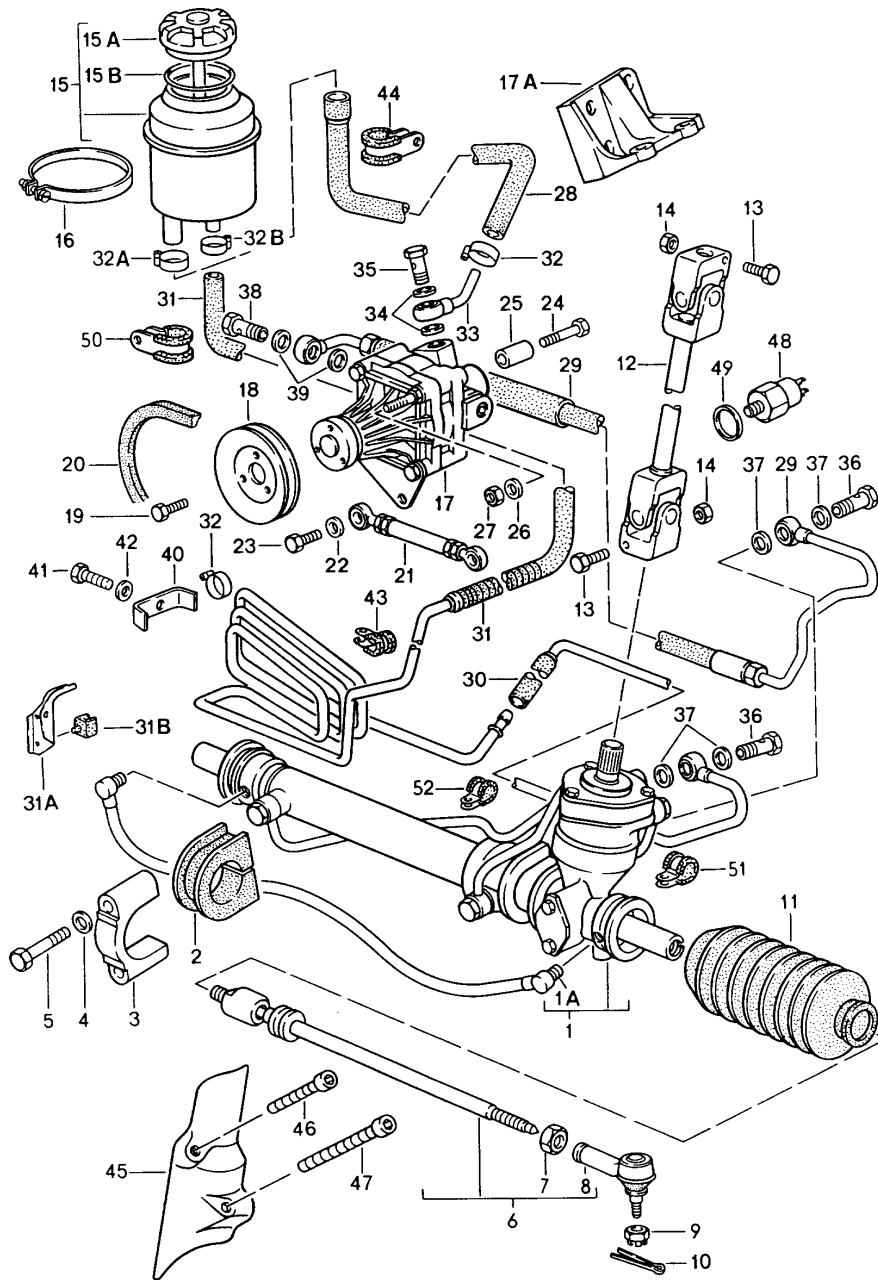


Model: 944 85 Model life 1985>>1988

Pos	Part Number	Description	Remark	Qty	Model
		Steering gear			
		Tie rod			
1	944 347 011 00	Steering gear	/LL	1	
2	477 419 321	Protection cap		1	
3	477 419 115	Stopper		1	
4	171 419 831 C	Boot	/L	1	
4	PCG 419 831 C	Bellows	/L	1	
5	171 419 832 C	Bellows	/R	1	
6	823 419 843	Terminal \$ 45 MM		1	
7	944 347 223 01	Clip	/LL	2	
8	944 347 137 00	Rubber insert	/L	1	
(8)	944 347 139 00	Rubber insert	/R	1	
9	900 025 007 02	Washer A 8,4		2	
9	900 025 007 03	Washer A 8,4		2	
10	N 010 360 6	Hexagon-head bolt M 8 X 60	/LL	4	
10	N 010 360 19	Hexagon-head bolt M 8 X 60	/LL	4	
11	944 347 033 01	Tie rod	-86	2	
11	944 347 033 07	Tie rod		2	
(11)	944 347 033 03	Tie rod	87-	2	
12	477 419 827	Stop ring		2	
13	171 419 855	Nut M 22 X 1,5		2	
14	944 347 333 01	Ball joint	-86	2	
14	944 347 333 02	Ball joint	87-	2	
15	900 078 005 01	Hexagon nut M 14		2	
16	N 011 212 2	Castle nut M 12 X 1,5	-86	2	
(16)	N 022 141 1	Captive nut M 12	87-	2	
(16)	900 360 002 01	Lock nut M 12	87-	2	
(16)	900 360 002 0B	Lock nut M 12	87-	2	
17	N 012 532 1	Cotter pin 3 X 25	-86	2	
18	944 347 027 01	Drive shaft	/LL	1	
19	N 010 335 7	Hexagon-head bolt M 8 X 35		2	
20	900 910 022 09	Lock nut M 8		2	
20	900 910 022 03	Lock nut M 8		2	

Model: 944 85

Model life 1985>>1988



Model: 944 85 Model life 1985>>1988

Pos	Part Number	Description	Remark	Qty	Model
		Power steering Steering gear Vane type pump Lines See technical information GR.4, NR.6/90			M657
1	944 347 011 22	Steering gear	/LL	1	
1	944 347 011 AX	Steering gear	/LL	1	
1	944 347 011 24	Steering gear	/LL	1	
1	944 347 011 BX	Steering gear	/LL	1	
1A	944 347 311 00	Compensating line		1	
2	944 347 137 00	Rubber insert	/L	1	
(2)	944 347 139 01	Rubber insert	/R	1	
3	944 347 223 01	Clip	/LL	2	
4	900 025 007 02	Washer A 8,4		4	
4	900 025 007 03	Washer A 8,4		4	
5	900 074 281 08	Hexagon-head bolt M 8 X 60		4	
6	944 347 033 20	Tie rod	-86	2	
(6)	944 347 033 23	Tie rod	87-	2	
7	900 078 005 01	Hexagon nut M 14		2	
8	944 347 333 00	Ball joint	-86	2	
8	944 347 333 04	Ball joint	87-	2	
9	N 011 212 2	Castle nut	-86	2	
(9)	N 022 141 1	Captive nut	87-	2	
(9)	900 360 002 01	Lock nut	87-	2	
(9)	900 360 002 0B	Lock nut	87-	2	
10	N 012 532 1	Cotter pin	-86	2	
11	171 419 831 C	Boot		2	
11	PCG 419 831 C	Bellows		2	
12	944 347 027 02	Drive shaft	/LL	1	
12	944 347 027 03	Drive shaft	/LL	1	
13	N 010 335 7	Hexagon-head bolt M 8 X 35		2	
14	900 910 022 09	Lock nut M 8		2	
14	900 910 022 03	Lock nut M 8		2	
15	928 347 015 05	Container		1	
15A	928 347 925 00	Lid		1	
15B	928 347 927 00	Gasket		1	
16	999 512 350 02	Hose clamp		1	
17	944 347 432 03	Vane type pump		1	944, TURBO
(17)	944 347 432 CX	Vane type pump Alternative parts:		1	944, TURBO
(17)	944 347 432 08	Vane type pump		1	944, Turbo
(17)	944 347 432 CX	Vane type pump		1	944, Turbo
17	944 347 432 04	Vane type pump		1	944S
(17)	944 347 432 DX	Vane type pump		1	944S
17A	944 101 147 01	Bracket for Vane type pump		1	
17A	944 101 147 02	Bracket for Vane type pump		1	
18	944 347 437 03	Pulley		1	
19	900 075 010 02	Hexagon nut M 6 X 12		3	
19	N 010 212 14	Hexagon-head bolt M 6 X 12		3	

Model: 944 85 Model life 1985>>1988

Pos	Part Number	Description	Remark	Qty	Model
19	999 072 005 09	Hexagon nut M 6 X 12		3	
19	999 072 005 01	Hexagon nut M 6 X 12		3	
20	999 192 236 50	Narrow v-belt 9,5 X 950		1	
21	944 347 053 02	Strut		1	
22	N 011 525 13	Washer A 8,4		1	
23	N 010 242 12	Hexagon-head bolt M 8 X 25		2	
24	N 010 359 4	Hexagon-head bolt M 8 X 38		1	
25	944 347 441 02	Sleeve 26 MM		1	
26	900 025 007 02	Washer		1	
26	900 025 007 03	Washer		1	
(26)	944 347 442 00	Dowel sleeve 13 MM		1	
27	900 076 025 02	Hexagon nut M 8		1	
27	900 076 064 02	Hexagon nut M 8		1	
28	944 347 445 02	Moulded hose		1	
(28)	944 347 445 05	Moulded hose Use also: 99923035701		1	
-	999 230 357 01	Connection piece		1	
29	944 347 447 02	Pressure line	/LL	1	
30	944 347 449 06	Return line	/LL	1	
31	944 347 459 03	Return line		1	
31A	944 347 465 02	Support		1	
31B	944 347 467 00	Cable clip for Line bracket		4	
32	N 023 569 2	Hose clamp A 9/16		2	
32	PCG 023 569 2	Hose clamp A 9/16		2	
32A	999 512 346 02	Hose clamp		1	
32A	999 512 676 00	Hose clamp 16 - 25		1	
32B	999 512 554 00	Hose clamp 12 - 22		1	
33	999 230 158 02	Nipple with elastic ring		1	
34	N 100 184 01	Sealing ring D 16 X 20		2	
35	900 134 014 02	Banjo bolt		1	
36	999 134 018 02	Banjo bolt 12	/LL	2	
37	900 123 026 20	Sealing ring D 12 X 15,5	/LL	4	
38	900 134 007 02	Banjo bolt		1	
38	900 134 007 01	Banjo bolt		1	
38	PCG 134 007 01	Banjo bolt		1	
39	900 123 042 20	Sealing ring D 14 X 18		2	
40	928 347 455 00	Shim		1	
41	900 074 015 02	Hexagon-head bolt M 6 X 30		1	
41	900 074 015 03	Hexagon-head bolt M 6 X 30		1	
42	N 011 524 7	Washer		1	

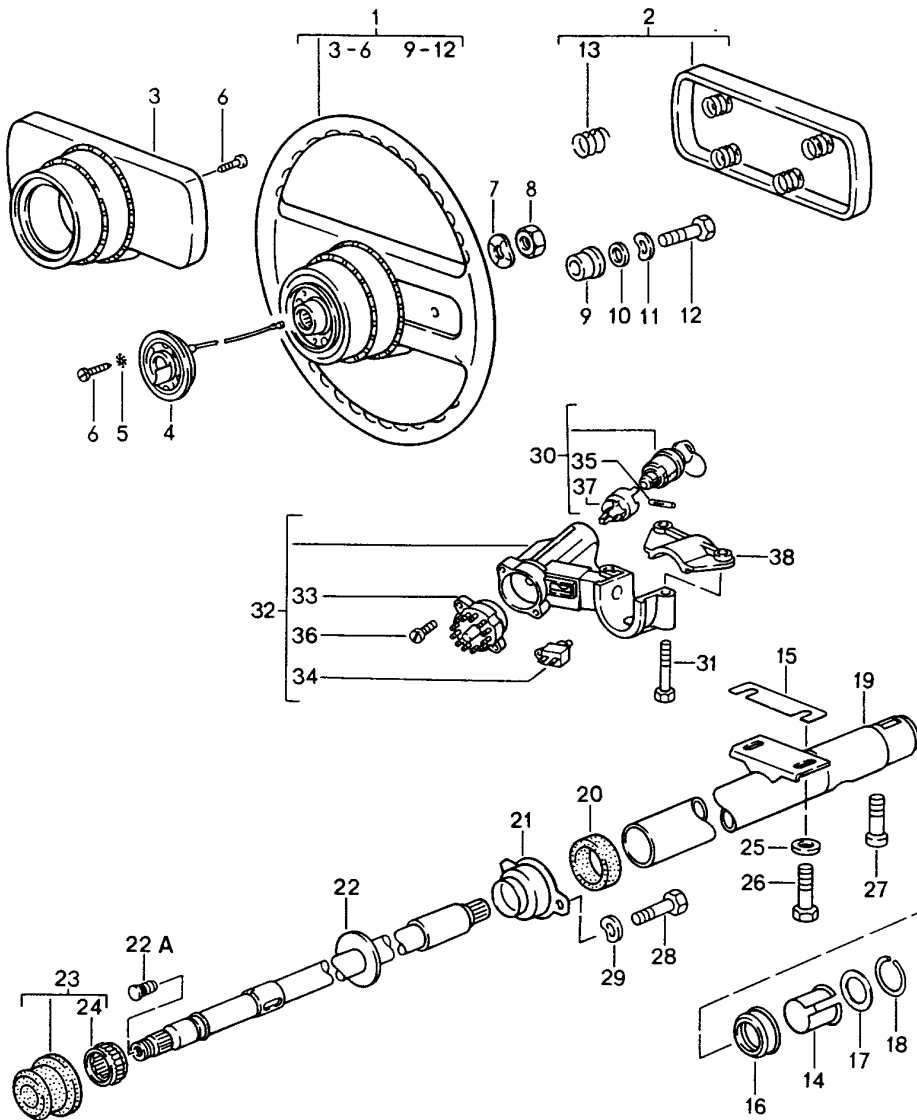
Model: 944 85

Model life 1985>>1988

Pos	Part Number	Description	Remark	Qty	Model
42	N 011 524 27	A 6,4 Washer		1	
43	999 511 153 02	A 6,4 Clip		3	
44	999 512 346 00	B 15 X 8 Hose clamp		1	
-	944 105 101 00	A 9/22 Spacer sleeve		1	TURBO
45	951 101 129 00	Heat shield		1	TURBO
46	900 067 236 08	Pan-head screw M 6 X 40		1	TURBO
47	900 067 237 08	Pan-head screw M 6 X 70		1	TURBO
47	900 067 237 01	Pan-head screw M 6 X 70		1	TURBO
48	944 606 209 00	Pressure transmitter		1	944S
49	N 013 806 3	Sealing ring		1	944S
-	944 612 956 00	Wiring harness for Pressure transmitter		1	944S
50	999 512 428 02	Clamp		1	
51	N 020 626 2	Clip 16 X 15		1	
52	999 511 153 02	Clip 8 X 15		1	

Model: 944 85

Model life 1985>>1988



Model: 944 85 Model life 1985>>1988

Pos	Part Number	Description	Remark	Qty	Model
1	944 347 084 05	Steering wheels Steering column Sports steering wheel Leatherette \$ 380 MM		1	
	944 347 084 05 1AJ	Black			
	944 347 084 05 4RB	Brown			
	944 347 084 05 7LD	Burgundy			
(1)	944 347 084 08	Sports steering wheel Leather \$ 380 MM		1	
	944 347 084 08 1AJ	Black			
	944 347 084 08 4RB	Brown			
	944 347 084 08 7LD	Burgundy			
1	944 347 084 10	Sports steering wheel Leather with elevated hub \$ 363 MM		1	M018
	944 347 084 10 1AJ	Black			
	944 347 084 10 4RB	Brown			
	944 347 084 10 7LD	Burgundy			
1	944 347 084 09	Sports steering wheel Leather \$ 363 MM		1	M431
	944 347 084 09 1AJ	Black			
	944 347 084 09 4RB	Brown			
	944 347 084 09 7LD	Burgundy			
1	928 347 084 07	Steering wheel Leather \$ 363		1	M431
	928 347 084 07 1AJ	Black			
(1)	944 347 804 50	Sports steering wheel Airbag		1	M562
	944 347 804 50 1AJ	Black			
	944 347 804 50 4RB	Brown			
	944 347 804 50 7LD	Burgundy			
2	944 347 859 08	Padded cap Leatherette		1	
	944 347 859 08 1DB	Black			
	944 347 859 08 4RB	Brown			
	944 347 859 08 7LD	Burgundy			
2	944 347 859 05	Padded cap Leather		1	
	944 347 859 05 1AJ	Black			
	944 347 859 05 4RB	Brown			
	944 347 859 05 7LD	Burgundy			
3	928 347 857 02	Lining for Four-spoke steering wheel		1	
	928 347 857 02 1DB	Black			
	928 347 857 02 4RB	Brown			
	928 347 857 02 7LD	Burgundy			
(2)	944 347 835 00	Horn button	/L	1	M562
	944 347 835 00 01C	Black			
	944 347 835 00 4RB	Brown			
	944 347 835 00 9MM	Burgundy			
(2)	944 347 836 00	Horn button	/R	1	M562
	944 347 836 00 01C	Black			
	944 347 836 00 4RB	Brown			
	944 347 836 00 9MM	Burgundy			
4	928 347 099 00	Slip ring		1	
(4)	944 612 355 00	Wiper contact		1	M562
5	N 012 131 2	Shake-proof washer		3	

Model: 944 85 Model life 1985>>1988

Pos	Part Number	Description	Remark	Qty	Model
6	900 146 029 02	J 3,7 Oval-head screw AM 3,5 X 10		6	
7	N 012 238 5	Spring washer B 16		1	
8	900 078 006 01	Hexagon nut M 16 X 1,5		1	
9	321 419 779 A	Insulating bush		4	
10	900 025 002 02	Washer A 4,3		4	
10	900 025 002 03	Washer A 4,3		4	
11	N 042 122 2	Shake-proof washer A 4,3		4	
12	N 010 261 3	Hexagon-head bolt M 4 X 15		3	
13	171 419 697	Compression spring		3	
(13)	944 347 884 00	Contact spring		2	M562
14	171 419 341	Support ring		1	
15	944 347 473 00	Shim		X	
17	999 234 004 00	Shim		1	
18	999 042 017 01	Snap ring		1	
19	944 347 063 04	Steering column tube		1	
19	944 347 063 07	Steering column tube		1	M562
20	411 417 613	Rubber mounting		1	
20	999 707 008 40	O-ring		1	M562
21	411 417 605	Support ring		1	
21	944 347 076 00	Support ring		1	M562
22	944 347 067 02	Steering column	/LL	1	
(22)	944 347 019 03	Steering column	/LL -86 /LL -86	1	TURBO 944 M657
22	944 347 019 04	Steering column	/LL 87- /LL 87-	1	TURBO 944 M657
22	944 347 019 07	Steering column	/LL -87	1	M562
22	944 347 019 10	Steering column	/LL 88	1	M562
23	477 419 059	Needle sleeve		1	
24	113 415 511	Needle-roller bearing		1	
25	900 025 041 02	Washer A 8,4		2	
26	999 074 022 02	Shear bolt		2	
27	N 010 241 0	Hexagon-head bolt M 8 X 22		1	
28	N 010 215 13	Hexagon-head bolt M 6 X 15	/LL	2	
29	211 805 243	Spring washer Steering lock		2	
30	944 538 075 00	Lock cylinder W/o stipulated lock number When required order also:		1	
-	944 538 181 00	Cap Lock cylinder Black		1	
(30)	944 538 075 01	Lock cylinder with stipulated lock number When required order also:		1	
-	944 538 181 00	Cap Lock cylinder Black		1	
31	944 347 343 01	Shear bolt		2	
32	944 347 975 03	Housing for		1	

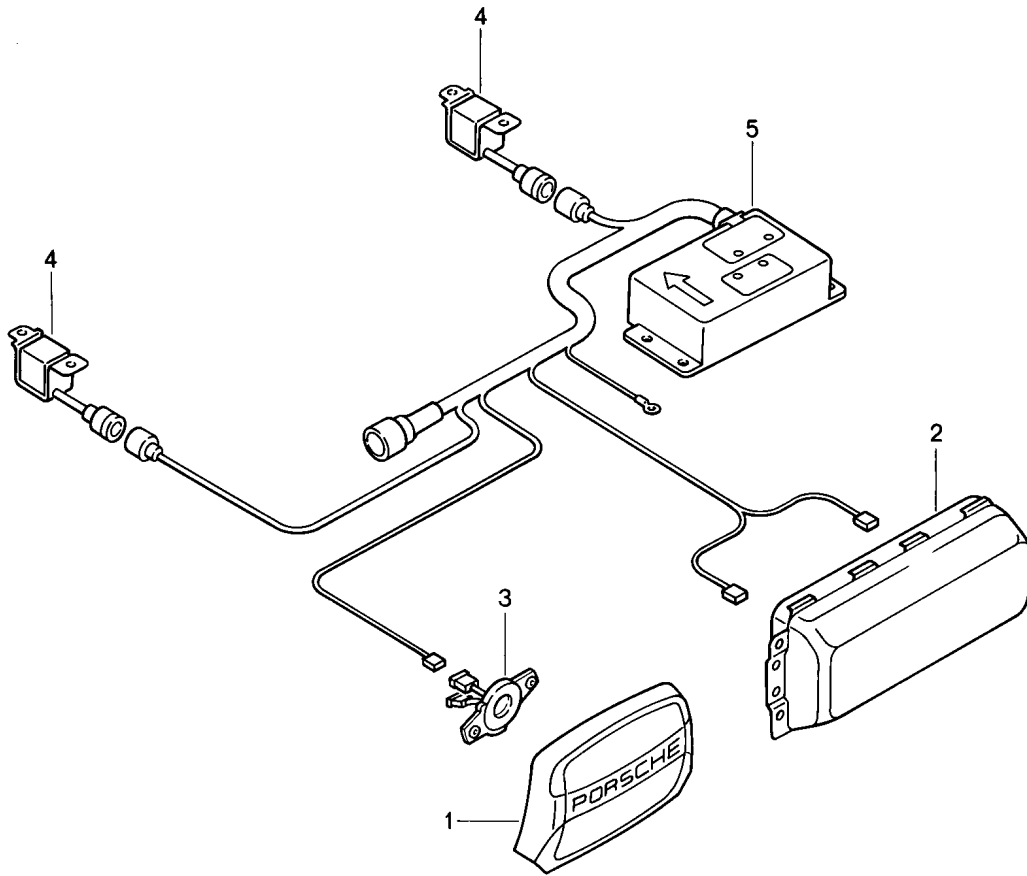
Model: 944 85

Model life 1985>>1988

Pos	Part Number	Description	Remark	Qty	Model
33	964 613 012 00	Steering lock		1	
34	911 613 125 00	Ignition starter switch		1	
35	944 347 363 00	Buzzer contact		1	
36	N 014 122 8	Lock		2	
36	N 014 122 17	Oval-head screw		2	
		M 4 X 8			
37	944 538 183 00	Control cams		1	
38	944 347 351 02	Retainer plate		1	

Model: 944 85

Model life 1985>>1988

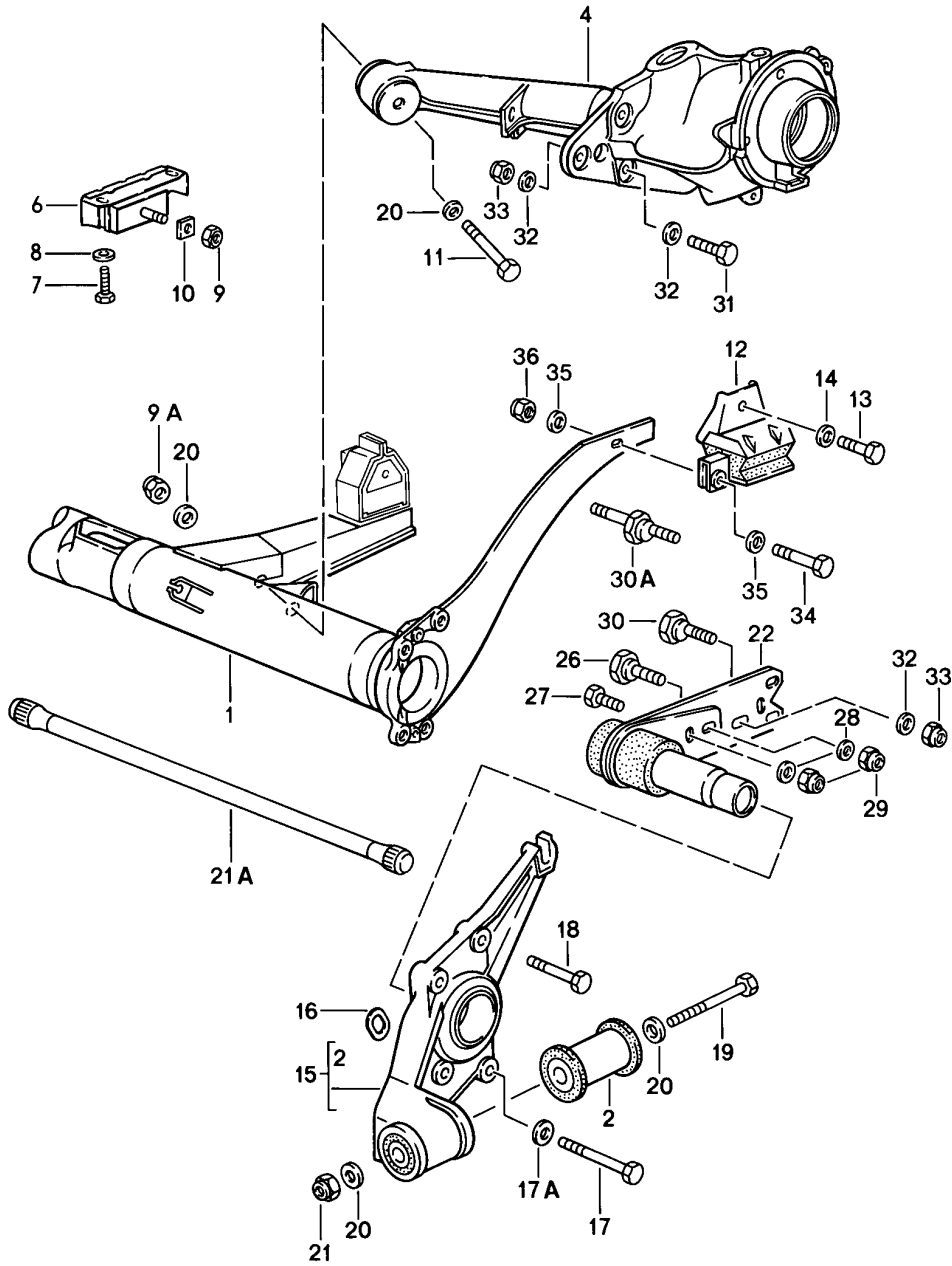


Model: 944 85 Model life 1985>>1988

Pos	Part Number	Description	Remark	Qty	Model
1	944 347 989 03	Airbag		1	M562
	944 347 989 03 1AJ	Airbag unit Black			
	944 347 989 03 4RB	Brown			
	944 347 989 03 7LD	Burgundy			
-	999 073 025 02	Pan-head screw for Airbag unit M 6 X 19		2	
2	944 803 071 02	Airbag unit Passenger's side		1	
-	999 218 030 08	Use also: Pan-head screw M 6 X 10		4	
-	944 701 422 00	Sticker Airbag		1	
3	928 652 211 00	Support for contact		1	
4	928 613 220 02	Front sensor		2	
5	944 618 917 00	Switch unit		1	
-	944 618 401 00	Nut		4	

Model: 944 85

Model life 1985>>1988



Model: 944 85 Model life 1985>>1988

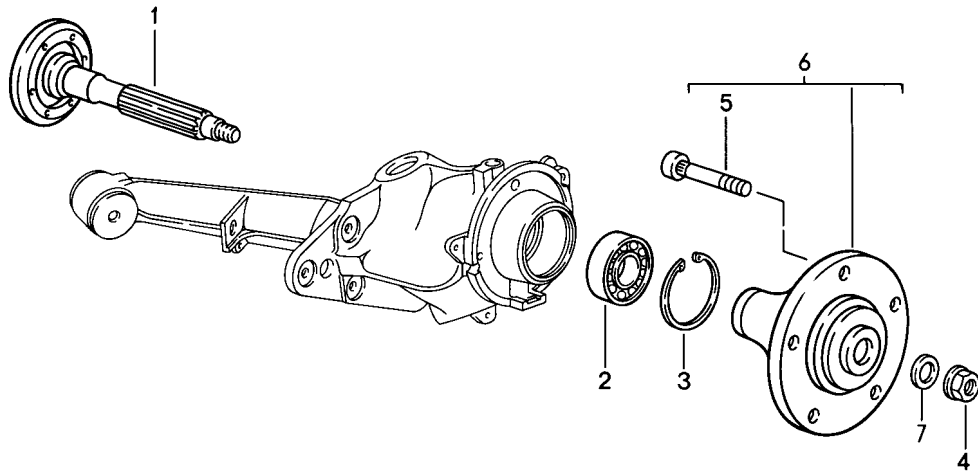
Pos	Part Number	Description	Remark	Qty	Model
		Rear axle carrier			
		Rear-axle trailing arm			
1	944 331 045 00	Rear-axle cross-tube	-86	1	
1	944 331 045 02	Rear-axle cross-tube		1	
2	477 501 069 A	Rubber bush		2	
3	951 331 705 00	Cable holder		2	
4	951 331 021 01	Rear-axle trailing arm	/L	1	
4	951 331 022 01	Rear-axle trailing arm	/R	1	
4	951 331 021 31	Rear-axle trailing arm	/L 87-	1	M030
4	951 331 022 31	Rear-axle trailing arm	/R 87-	1	M030
4	951 331 021 32	Rear-axle trailing arm	/L 87-	1	M030/593
4	951 331 022 32	When required order also: Rear-axle trailing arm	/R 87-	1	M030/593
-	964 331 199 02	When required order also: Retainer plate		2	
-	900 074 130 02	Hexagon-head bolt		4	
		M 8 X 40			
-	900 075 033 02	Stud		4	
		M 8 X 40			
-	900 075 033 03	Stud		4	
		M 8 X 40			
6	477 501 089	Mounting		2	
6	951 333 088 30	Mounting		2	
6	951 333 088 32	Mounting		2	
7	900 075 043 02	Hexagon-head bolt		4	
		M 10 X 30			
8	900 025 008 09	Washer		4	
		A 10,5			
8	900 025 008 04	Washer		4	
		A 10,5			
9	N 022 149 2	Lock nut		2	
		VM 10			
9A	N 021 131 1	Lock nut		2	
		M 12 X 1,5			
10	477 501 697	Washer		2	
11	N 010 190 4	Hexagon-head bolt		2	
		M 12 X 90			
12	944 331 075 00	Supporting mount	/L	1	
12	944 331 075 01	Supporting mount	/L	1	
(12)	944 331 076 00	Supporting mount	/R	1	
(12)	944 331 076 01	Supporting mount	/R	1	
13	900 075 040 02	Hexagon-head bolt		2	
		M 10 X 20			
13	900 075 517 01	Hexagon-head bolt		2	
		M 10 X 20			
14	N 012 230 6	Spring washer		8	
		B 10			
15	944 331 059 00	Bearing flange	/L	1	
15		Bearing flange	/L	1	
(15)	944 331 060 00	Bearing flange	/R	1	
(15)		Bearing flange	/R	1	
16	951 331 667 00	Washer		2	
17	N 010 465 5	Hexagon-head bolt		2	
		M 10 X 65			
17	900 074 248 03	Hexagon-head bolt		2	
		M 10 X 65			
17A	N 012 230 6	Spring washer		8	
		B 10			
18	N 010 455 3	Hexagon-head bolt		6	
		M 10 X 55			
19	900 082 059 02	Hexagon-head bolt		2	
		M 12 X 1,5 X 115			
20	803 199 347	Spring washer		8	

Model: 944 85 Model life 1985>>1988

Pos	Part Number	Description	Remark	Qty	Model
20	803 199 34H	Washer		8	
21	N 022 141 4	Lock nut		2	
(21A)	944 333 115 00	VM 12 X 1,5 Torsion bar	/L	1	
(21A)	944 333 116 00	23,5 MM Torsion bar	/R	1	
(21A)	944 333 103 00	23,5 MM Torsion bar	/L -86	1	944 M030
(21A)	944 333 104 00	24,5 MM Torsion bar	/R -86	1	944 M030
(21A)	951 333 103 30	24,5 MM Torsion bar	/L	1	M030/758
(21A)	951 333 104 30	25,5 MM Torsion bar	/R	1	M030/758
22	951 333 021 00	25,5 MM Rear axle strut		2	
26	911 333 303 00	Eccentric screw		2	
26	911 333 303 01	Eccentric screw		2	
27	911 333 305 00	Hexagon-head bolt		2	
27	911 333 305 01	Hexagon-head bolt		2	
28	999 025 135 02	Washer		4	
29	900 910 092 02	Lock nut		4	
29	900 360 007 01	VM 16 X 1,5 Lock nut		4	
30	477 511 519	VM 16 X 1,5 Camber eccentric		2	
30A	477 511 515	Camber eccentric		2	
30A	477 511 516	Only together with Stabiliser Camber eccentric		2	
31	N 040 108 2	Only together with Stabiliser Hexagon-head bolt		4	
32	N 011 531 7	M 12 X 1,5 X 40 Washer		8	
33	N 022 141 4	A 13 Lock nut		4	
34	N 010 242 12	VM 12 X 1,5 Hexagon-head bolt		2	
35	900 025 007 02	M 8 X 25 Washer		4	
35	900 025 007 03	A 8,4 Washer		4	
36	N 022 146 1	A 8,4 Lock nut		2	
		VM 8			

Model: 944 85

Model life 1985>>1988



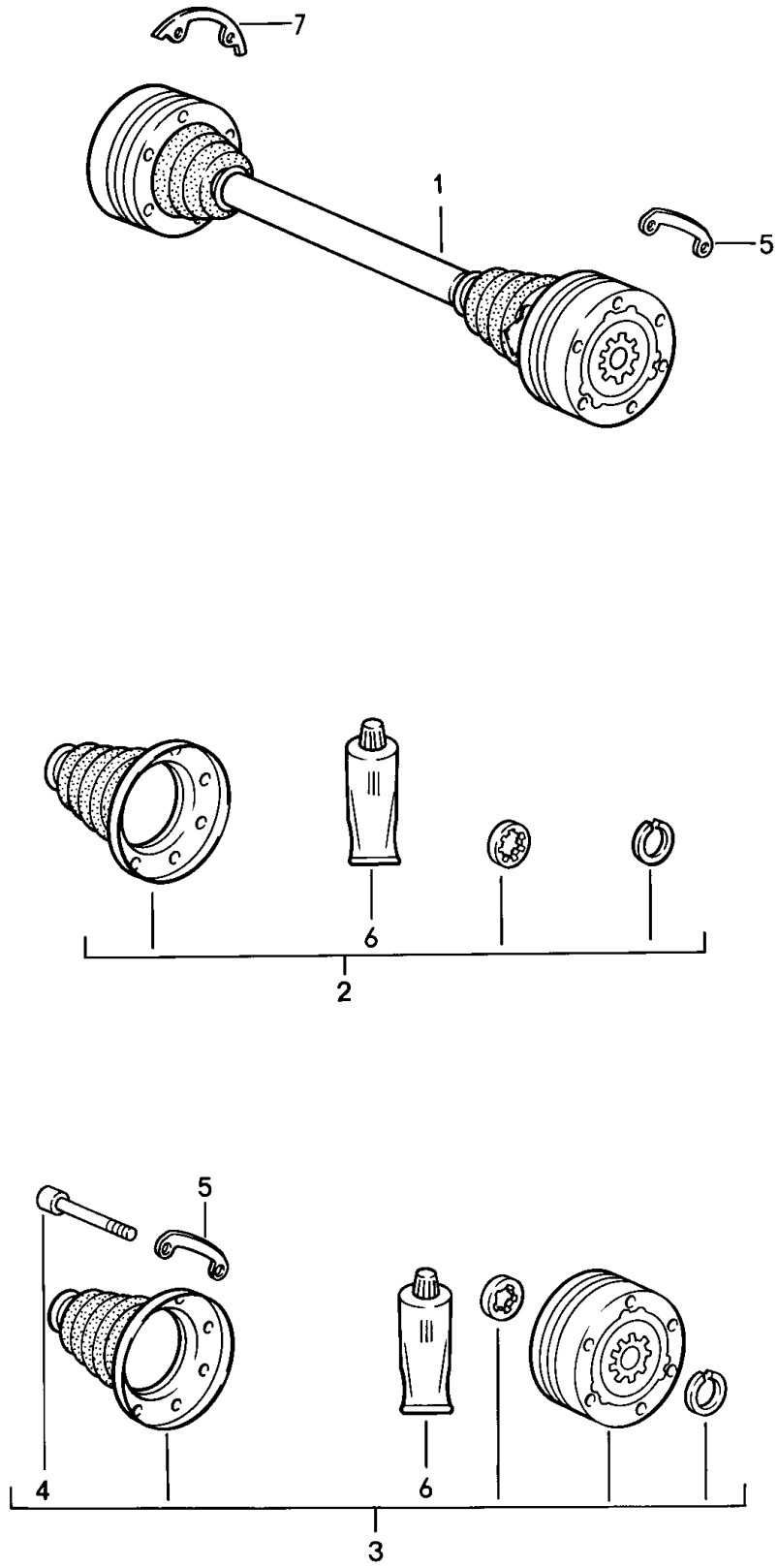
Model: 944 85

Model life 1985>>1988

Pos	Part Number	Description	Remark	Qty	Model
-	PCG 043 110 00	Rear wheel shaft Lubricants Grease Bearing 200 GR.		1	
1	951 332 235 01	Drive shaft	-86	2	
1	951 332 235 35	Rear wheel shaft	87-	2	
2	999 053 020 01	Angular-contact bearing		2	
3	N 012 350 1	Circlip		2	
4	900 910 093 02	Lock nut M 22 X 1,5		2	
5	904 341 671 00	Wheel bolt		10	
5	993 331 671 02	Wheel bolt		10	
6	951 331 067 00	Wheel hub	-86	2	
6	944 331 067 01	Wheel hub	87-	2	
6		Wheel hub	87-	2	
7	928 331 591 02	Washer		2	

Model: 944 85

Model life 1985>>1988

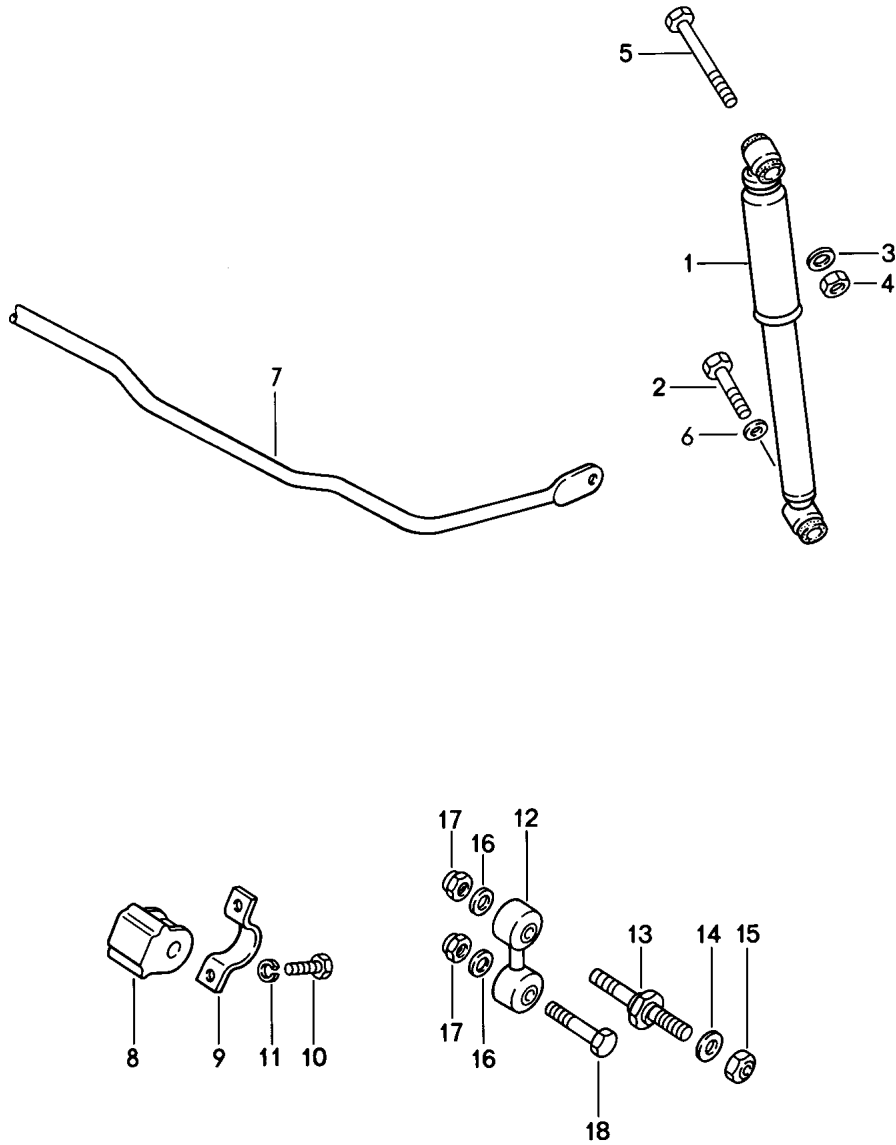


Model: 944 85 Model life 1985>>1988

Pos	Part Number	Description	Remark	Qty	Model
		Drive shaft See technical information GR.4 NR.2/87 See TPI GR.4 NR.4/92			
1	944 332 038 01	Drive shaft		2	
1	951 332 038 02	Drive shaft	87-	2	TURBO
1	951 332 038 06	Drive shaft	87-	2	TURBO
1	951 332 038 07	Drive shaft	87-	2	TURBO
1	944 332 038 09	Drive shaft	/L	1	AUT.
1	944 332 038 10	Drive shaft	/R	1	AUT.
2	944 331 903 00	Repair kit Dust bellows		4	
(2)	951 332 903 00	Repair kit Dust bellows	87-	4	TURBO
3	944 331 901 00	Repair kit Constant-velocity joint		4	
(3)	951 332 901 00	Repair kit Constant-velocity joint	87-	4	TURBO
4	893 407 237	Pan-head screw		24	
4	N 911 082 01	Multiple-tooth screw		24	
5	944 332 191 00	Plate		6	
6	000 043 110 01	Grease 1 100-gramme tube		X	
7	951 332 233 01	Plate		6	

Model: 944 85

Model life 1985>>1988



Model: 944 85

Model life 1985>>1988

Pos	Part Number	Description	Remark	Qty	Model
		Vibration damper Stabiliser			
1	951 333 032 05	Vibration damper		2	944/944S
		- fichtel + sachs -			
1	951 333 032 06	Vibration damper		2	TURBO
		- fichtel + sachs -			
(1)	951 333 032 01	Vibration damper		2	M474
		- koni -			
1	951 333 032 04	Vibration damper		2	M030
		- koni -			
2	900 082 054 02	Hexagon-head bolt		2	
		M 14 X 1,5 X 85			
3	043 101 129	Washer		2	
		B 12			
3	900 025 009 02	Washer		2	
4	N 022 141 1	Captive nut		2	
		M 12 X 1,5			
4	900 360 002 01	Lock nut		2	
		M 12 X 1,5			
4	900 360 002 0B	Lock nut		2	
		M 12 X 1,5			
5	900 082 044 02	Hexagon-head bolt		2	
		M 12 X 1,5 X 125			
5	900 082 118 01	Hexagon-head bolt		2	
		M 12 X 1,5 X 125			
6	999 025 062 02	Washer		2	
		Stabiliser			
7	477 511 411 A	Stabiliser		1	
		14 MM			
7	477 511 413	Stabiliser		1	
		18 MM			
7	477 511 415	Stabiliser		1	
		20 MM			
8	477 411 313 F	Rubber mounting		2	
		14 MM			
8	477 411 313 B	Stabiliser mounting		2	
		18 MM			
8	477 411 313 N	Stabiliser mounting		2	
		18 MM			
8	477 411 313 C	Stabiliser mounting		2	
		20 MM			
9	113 411 333	Retaining bar		2	
10	900 075 085 02	Hexagon-head bolt		4	
		M 8 X 20			
11	900 027 015 02	Lock ring		4	
		B 8			
11	900 027 015 03	Lock ring		4	
		B 8			
12	477 511 051 A	Stabiliser mounting		2	
13	477 511 515	Camber eccentric		2	
13	477 511 516	Camber eccentric		2	
14	N 011 531 4	Washer		2	
		A 13			
15	N 022 141 4	Lock nut		2	
		M 12 X 1,5			
16	900 025 008 09	Washer		4	
		A 10,5			
16	900 025 008 04	Washer		4	
		A 10,5			
17	N 022 149 2	Lock nut		4	
		M 10			
18	N 010 452 4	Hexagon-head bolt		2	
		M 10 X 52			

Model: 944 85

Model life 1985>>1988

Pos	Part Number	Description	Remark	Qty	Model
18	900 074 374 01	Hexagon-head bolt M 10 X 52		2	

Model: 944 85

Model life 1985>>1988

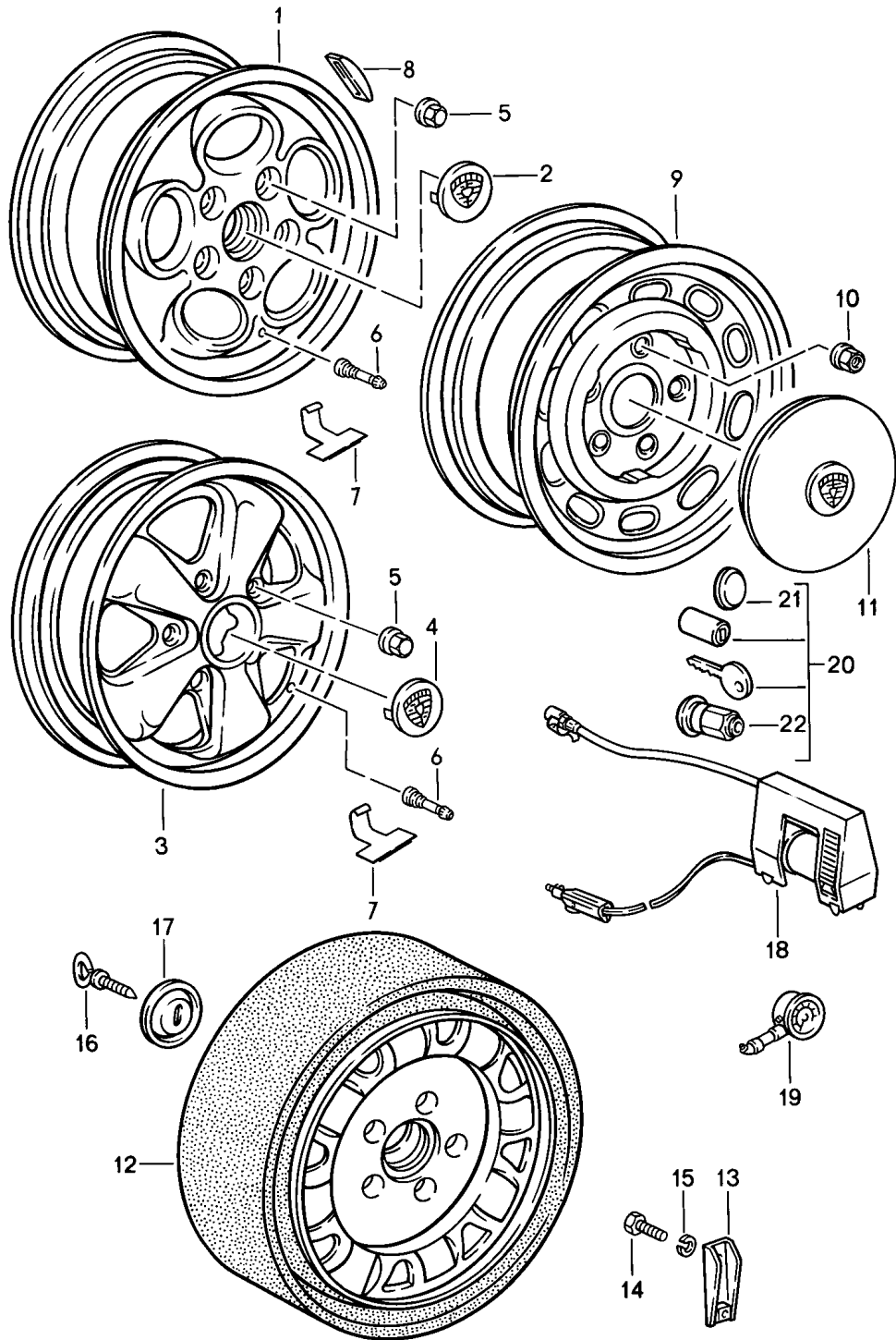


Model: 944 85 Model life 1985>>1988

Pos	Part Number	Description	Remark	Qty	Model
>>	944 331 903 00	Repair kits Repair kit Dust bellows Comprising: Dust bellows with Bellow support Spring		4	
-	113 517 279	Circlip		1	
-	000 043 110 01	Grease 1 100-gramme tube		1	
>>	951 332 903 00	Repair kit Dust bellows Comprising: Dust bellows Bellow support		4	TURBO
-	911 332 257 00	Clip		1	
-	928 332 257 01	Clip		1	
-	900 041 013 01	Circlip		1	
-	000 043 110 01	Grease 1 100-gramme tube		1	
>>	944 331 901 00	Repair kit Constant-velocity joint Comprising: Constant-velocity joint Dust bellows with Bellow support Spring		4	
-	113 517 279	Circlip		1	
-	000 043 110 01	Grease 1 100-gramme tube		1	
-	893 407 237	Pan-head screw		6	
-	N 911 082 01	Multiple-tooth screw		6	
>>	951 332 901 00	Repair kit Constant-velocity joint Comprising: Constant-velocity joint Dust bellows Bellow support		4	TURBO
-	911 332 257 00	Clip		1	
-	928 332 257 01	Clip		1	
-	900 041 013 01	Circlip		1	
-	000 043 110 01	Grease 1 100-gramme tube		1	
-	893 407 237	Pan-head screw		12	
-	N 911 082 01	Multiple-tooth screw		12	

Model: 944 85

Model life 1985>>1988



Model: 944 85

Model life 1985>>1988

Pos	Part Number	Description	Remark	Qty	Model
1	951 362 104 00	Disc wheel Alloy wheel 7J X 15 ET 23,3 Cast Silver metallic	-86	4	
(1)	951 362 114 00	Alloy wheel 7J X 16 ET 23,3 Cast Silver metallic		2	
(1)	951 362 116 00	Alloy wheel 8J X 16 ET 23,3 Cast Silver metallic		2	
2	928 361 032 01	Hub cap Silver metallic		4	
(2)	PCG 361 032 01	Hub cap Silver metallic Porsche crest Black		4	
(2)	PCG 361 032 02	Hub cap Silver metallic Porsche crest Black		4	
3	951 362 115 90	Alloy wheel 7J X 16 ET 23,3 Forged aluminium alloy Unvarnished Rim flange polished		4	
3	951 362 115 00	Alloy wheel 7J X 16 ET 23,3 Forged aluminium alloy Rim flange polished Black star		4	
3	951 362 117 00	Alloy wheel 8J X 16 ET 23,3 Forged aluminium alloy Black star Rim flange polished		2	
3	951 362 117 90	Alloy wheel 8J X 16 ET 23,3 Unvarnished Rim flange polished		2	
(3)	911 361 020 41	Alloy wheel 7J X 15 ET 23,3 Forged aluminium alloy Black star Rim flange polished		2	944
(3)	911 361 020 50	Alloy wheel 7J X 15 ET 23,3 Forged aluminium alloy Black star Rim flange polished		2	944
(3)	911 361 020 93	Alloy wheel 7J X 15		2	

Model: 944 85

Model life 1985>>1988

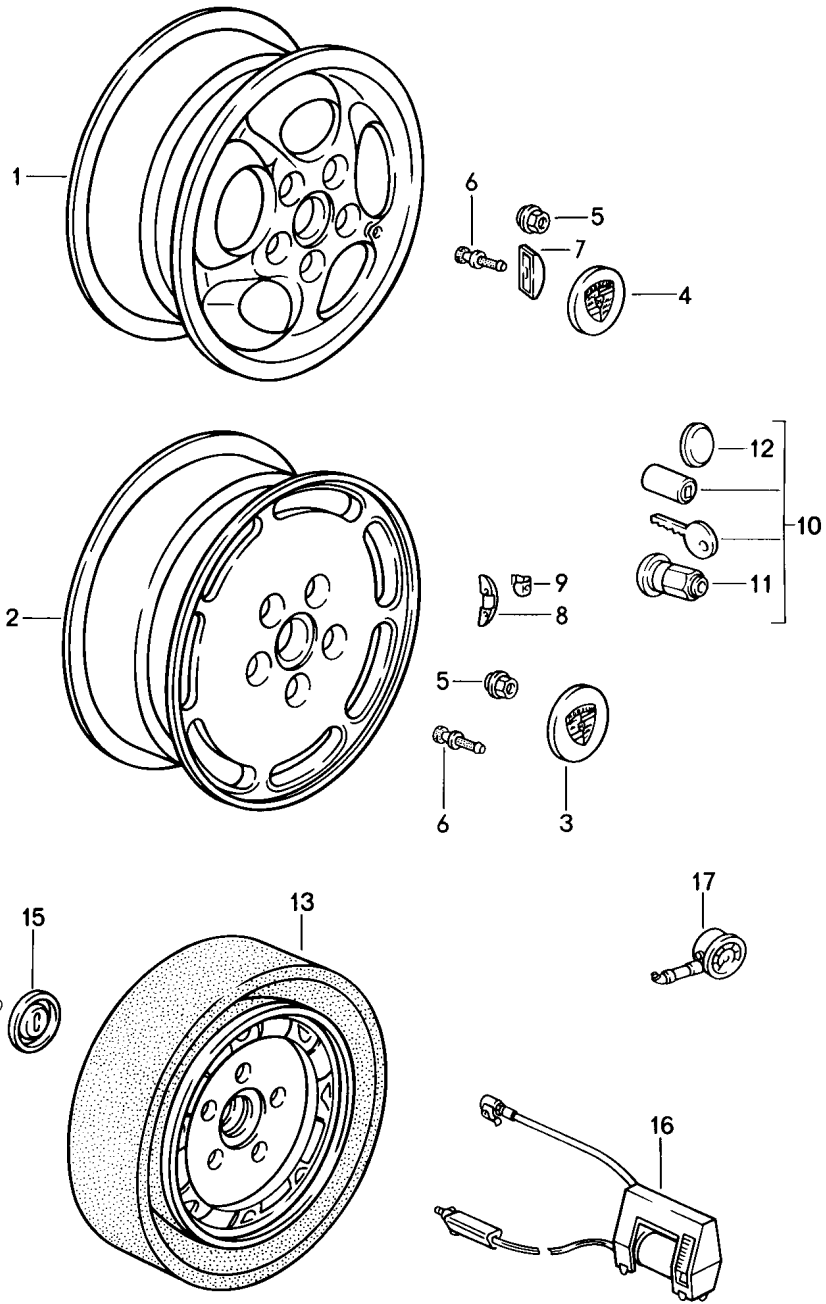
Pos	Part Number	Description	Remark	Qty	Model
(3)	911 361 020 42	ET 23,3 Forged aluminium alloy Unvarnished Rim flange polished Alloy wheel 8J X 15 ET 10,6		2	
(3)	911 361 020 94	Forged aluminium alloy Black star Rim flange polished Alloy wheel 8J X 15 ET 10,6		2	
4	911 361 032 28	Forged aluminium alloy Unvarnished Rim flange polished Hub cap Black		4	
(4)	911 361 032 29	Hub cap Grand prix white		4	
(4)	911 361 032 32	Hub cap Grand prix white		4	
(4)	911 361 032 30	Hub cap Platinum-metallic		4	
(4)	911 361 032 31	Hub cap White gold metallic		4	
(4)	911 361 032 33	Hub cap White gold metallic		4	
5	999 182 003 36	Wheel nut		20	
6	900 265 001 50	Rubber valve \$ 15,2		4	
6	900 265 001 51	Rubber valve \$ 15,2		4	
7	965 361 561 00	Valve support		4	
(8)	901 361 410 50	Balance stick-on weight 5 G		X	
8	901 361 410 00	Balance stick-on weight 10 G		X	
(8)	901 361 411 50	Balance stick-on weight 15 G		X	
(8)	901 361 411 00	Balance stick-on weight 20 G		X	
(8)	901 361 412 50	Balance stick-on weight 25 G		X	
(8)	901 361 412 00	Balance stick-on weight 30 G		X	
(8)	901 361 413 50	Balance stick-on weight 35 G		X	
(8)	901 361 413 00	Balance stick-on weight 40 G		X	
(8)	901 361 414 50	Balance stick-on weight 45 G		X	
(8)	901 361 414 00	Balance stick-on weight 50 G		X	
(8)	901 361 415 50	Balance stick-on weight 55 G		X	
(8)	901 361 415 00	Balance stick-on weight 60 G		X	
(8)	901 361 416 50	Balance stick-on weight 65 G		X	
(8)	901 361 416 00	Balance stick-on weight 70 G		X	
(8)	901 361 417 50	Balance stick-on weight		X	

Model: 944 85 Model life 1985>>1988

Pos	Part Number	Description	Remark	Qty	Model
(8)	901 361 417 00	75 G Balance stick-on weight		X	
(12)	928 362 030 02	80 G Emergency wheel Emergency wheel Alloy wheel with collapsible tire		1	
13	477 813 191	Support		1	
14	N 010 251 2	Hexagon-head bolt M 10 X 18		1	
15	900 027 016 02	Lock ring		1	
15	900 027 016 03	Lock ring		1	
16	914 722 104 10	Wing screw M 10 X 55		1	
17	477 813 157	Mounting plate		1	
18	911 652 052 00	Small electric compressor		1	
18	964 652 052 00	Small electric compressor		1	
18	964 652 053 00	Compressor		1	
18	993 652 053 00	Compressor		1	
18	996 652 053 00	Compressor		1	
18	997 652 051 00	Compressor		1	
18	997 652 055 00	Compressor		1	
19	911 722 202 00	Tyre pressure gauge Porsche Classic mit Lederhülle		1	
20	928 361 047 03	Wheel nut Lockable 1 set		1	
20	965 361 955 00	Wheel nut Lockable 1 set		1	
20	968 361 955 00	Wheel nut Lockable 1 set		1	
20	993 361 057 00	Wheel nut Lockable 1 set		1	
21	928 361 310 00	Cap		4	
22	928 361 306 03	Wheel nut Lockable without lock		4	
-	928 361 312 01	Blank key for Wheel nut Lockable		X	

Model: 944 85

Model life 1985>>1988



Model: 944 85 Model life 1985>>1988

Pos	Part Number	Description	Remark	Qty	Model
1	944 362 104 00	Disc wheel Alloy wheel 7J X 15 ET 52,3 Cast Silver metallic	87-	4	
1	951 362 114 01	Alloy wheel 7J X 16 ET 52,3 Cast Silver metallic		2	
1	951 362 116 01	Alloy wheel 8J X 16 ET 52,3 Cast Silver metallic		2	
2	944 362 115 00	Alloy wheel 7J X 16 ET 52,3 Forged aluminium alloy Silver metallic		2	
2	944 362 115 01	Alloy wheel 7J X 16 ET 52,3 Forged aluminium alloy Platinum		2	
2	928 362 117 00	Alloy wheel 8J X 16 ET 52,3 Forged aluminium alloy Silver metallic		2	
2	928 362 117 01	Alloy wheel 8J X 16 ET 52,3 Forged aluminium alloy Platinum		2	
(2)	951 362 115 30	Alloy wheel 7J X 16 ET 65 Forged aluminium alloy Silver metallic	88	2	M030/758
(2)	928 362 119 30	Alloy wheel 9J X 16 ET 60 Forged aluminium alloy Silver metallic	88	2	M030/758
3	928 361 031 00	Hub cap		4	
4	928 361 032 01	Hub cap Silver metallic		4	
(4)	PCG 361 032 01	Hub cap Silver metallic Porsche crest Black		4	
(4)	PCG 361 032 02	Hub cap Silver metallic Porsche crest Black		4	
4	477 601 051 D	Hub cap Platinum		4	
4	477 601 051 G	Hub cap Platinum-metallic		4	
5	999 182 003 36	Wheel nut		20	
6	900 265 001 50	Rubber valve		4	

Model: 944 85 Model life 1985>>1988

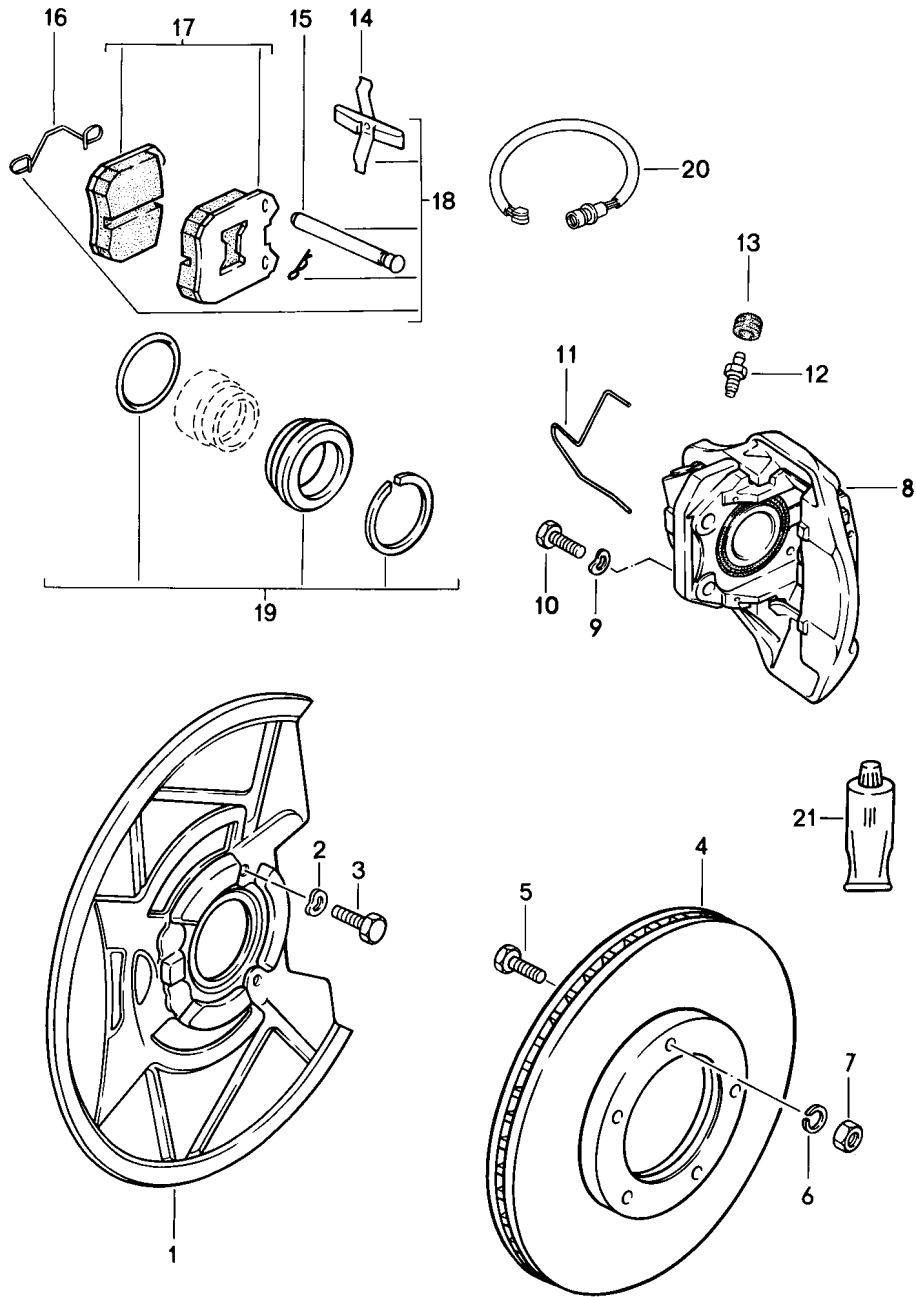
Pos	Part Number	Description	Remark	Qty	Model
6	900 265 001 51	\$ 15,2 Rubber valve		4	
7	901 361 410 50	\$ 15,2 Balance stick-on weight 5 G		X	
7	901 361 410 00	Balance stick-on weight 10 G		X	
7	901 361 411 50	Balance stick-on weight 15 G		X	
7	901 361 411 00	Balance stick-on weight 20 G		X	
7	901 361 412 50	Balance stick-on weight 25 G		X	
7	901 361 412 00	Balance stick-on weight 30 G		X	
7	901 361 413 50	Balance stick-on weight 35 G		X	
7	901 361 413 00	Balance stick-on weight 40 G		X	
7	901 361 414 50	Balance stick-on weight 45 G		X	
7	901 361 414 00	Balance stick-on weight 50 G		X	
7	901 361 415 50	Balance stick-on weight 55 G		X	
7	901 361 415 00	Balance stick-on weight 60 G		X	
7	901 361 416 50	Balance stick-on weight 65 G		X	
7	901 361 416 00	Balance stick-on weight 70 G		X	
7	901 361 417 50	Balance stick-on weight 75 G		X	
7	901 361 417 00	Balance stick-on weight 80 G		X	
8	928 361 421 00	Balance weight 5 G		X	
8	928 361 410 00	Balance weight 10 G		X	
8	928 361 422 00	Balance weight 15 G		X	
8	928 361 411 00	Balance weight 20 G		X	
8	928 361 423 00	Balance weight 25 G		X	
8	928 361 412 00	Balance weight 30 G		X	
8	928 361 424 00	Balance weight 35 G		X	
8	928 361 413 00	Balance weight 40 G		X	
8	928 361 425 00	Balance weight 45 G		X	
8	928 361 414 00	Balance weight 50 G		X	
8	928 361 426 00	Balance weight 55 G		X	
8	928 361 415 00	Balance weight 60 G		X	
8	928 361 416 00	Balance weight 70 G		X	
8	928 361 417 00	Balance weight		X	

Model: 944 85 Model life 1985>>1988

Pos	Part Number	Description	Remark	Qty	Model
9	928 361 420 01	80 G Retaining clip for Balance weight		X	
10	928 361 047 03	Wheel nut Lockable 1 set		1	
10	965 361 955 00	Wheel nut Lockable 1 set		1	
10	968 361 955 00	Wheel nut Lockable 1 set		1	
10	993 361 057 00	Wheel nut Lockable 1 set		1	
11	928 361 306 03	Wheel nut Lockable without lock		4	
12	928 361 310 00	Cap		4	
-	928 361 312 01	Blank key for Wheel nut Lockable		X	
-	928 362 114 20	Winter wheel Alloy wheel 7 X 16 ET 65 Cast Emergency wheel		4	M758
13	944 362 030 01	Emergency wheel Steel wheel 5 1/2 X 15 with collapsible tire	-87	1	
13		Emergency wheel Steel wheel 5 1/2 X 15 with collapsible tire	88	1	
(13)	928 362 030 02	Emergency wheel Alloy wheel 5 1/2 X 15 with collapsible tire		1	
14	914 722 104 10	Wing screw M 10 X 55		1	
15	477 813 157	Mounting plate		1	
(16)	911 652 052 00	Small electric compressor		1	
(16)	964 652 052 00	Small electric compressor		1	
(16)	964 652 053 00	Compressor		1	
(16)	993 652 053 00	Compressor		1	
(16)	996 652 053 00	Compressor		1	
(16)	997 652 051 00	Compressor		1	
(16)	997 652 055 00	Compressor		1	
17	911 722 202 00	Tyre pressure gauge Porsche Classic mit Lederhülle		1	

Model: 944 85

Model life 1985>>1988

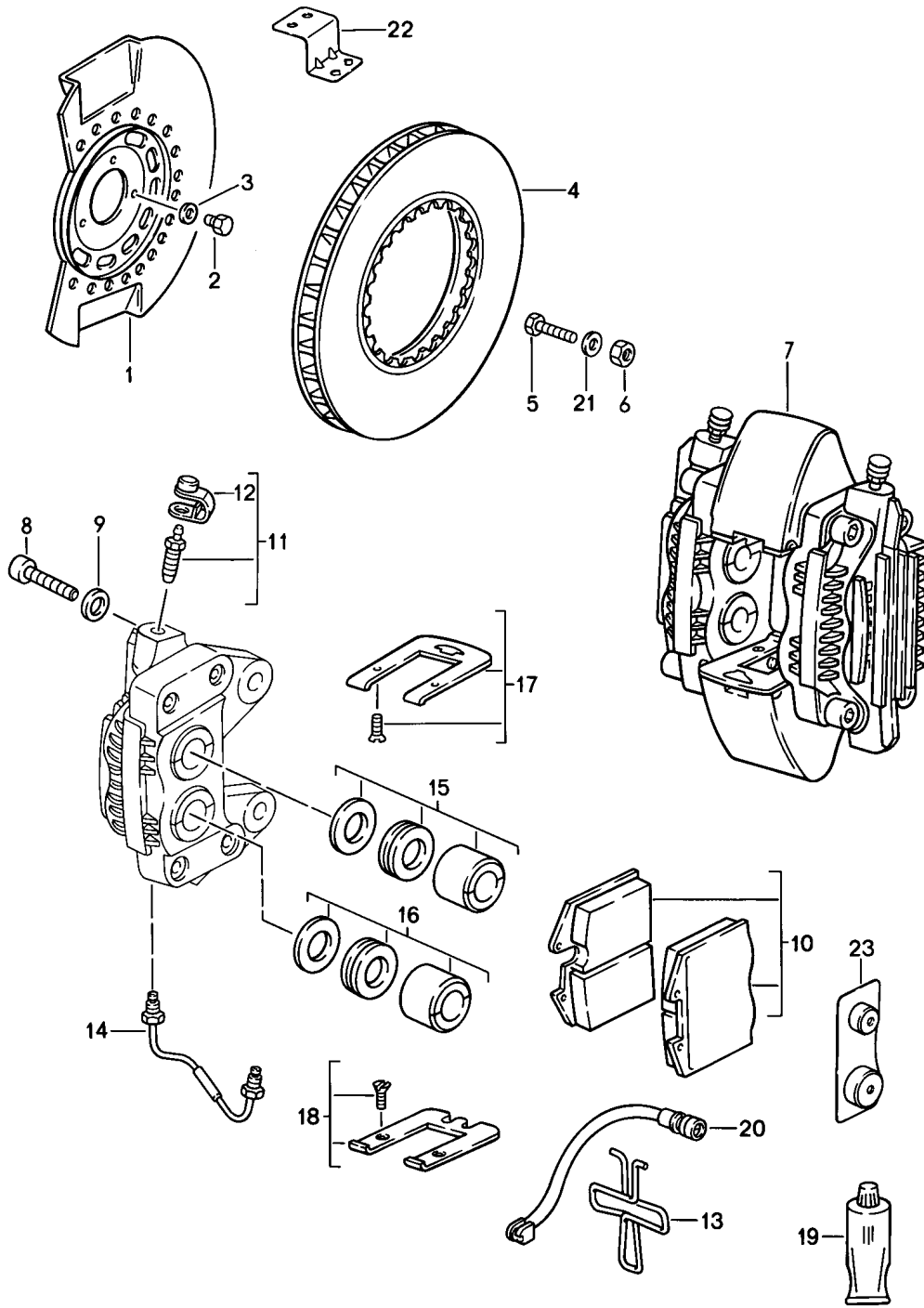


Model: 944 85 Model life 1985>>1988

Pos	Part Number	Description	Remark	Qty	Model
		Disc brake Front axle			944,944S
1	944 351 085 00	Cover plate		2	
1	944 351 085 01	Cover plate		2	
2	N 012 234 5	Spring washer B 7		6	
3	N 010 226 2	Hexagon-head bolt M 7 X 10		6	
4	477 405 083 A	Brake disc	-86	2	
4	477 405 083 D	Brake disc		2	
4	944 351 041 05	Brake disc	87-	2	
5	900 075 079 02	Hexagon-head bolt M 8 X 22		10	
6	N 012 241 1	Spring washer B 8		10	
7	900 076 025 02	Hexagon nut M 8		10	
7	900 076 064 02	Hexagon nut M 8		10	
8	944 351 429 00	Floating calliper	/L	1	
8	944 351 430 00	Floating calliper	/R	1	
9	900 028 014 02	Washer B 12		4	
9	900 028 014 03	Washer B 12		4	
10	N 040 108 1	Hexagon-head bolt M 12 X 1,5 X 40		4	
11	431 615 169	Guide spring		2	
11	PCG 615 169	Guide spring		2	
12	944 351 957 00	Ventilation valve		2	
13	944 351 959 00	Dust boot		2	
14	928 351 935 00	Expanding spring		2	
15	928 351 936 00	Retaining pin		4	
16	928 351 955 00	Safety seal		2	
17	944 351 951 02	Brake pad repair set without asbestos		1	
17	944 351 951 03	Brake pad repair set without asbestos		1	
18	944 351 952 01	Mounting parts		1	
19	928 351 941 00	Gasket set		1	
20	944 612 211 02	Warning contact	-86	2	
20	944 612 211 03	Warning contact		2	
20	944 612 212 00	Warning contact	87-	2	
20	944 612 212 06	Warning contact	87-	2	
21	000 043 117 00	Brake cylinder paste 1 50-g tube		X	
21	000 043 305 11	Brake cylinder paste 1 50-g tube		X	
-	944 341 705 00	Support		1	
-	944 612 635 00	Clip		4	
-	944 612 557 00	Support		2	

Model: 944 85

Model life 1985>>1988



Model: 944 85 Model life 1985>>1988

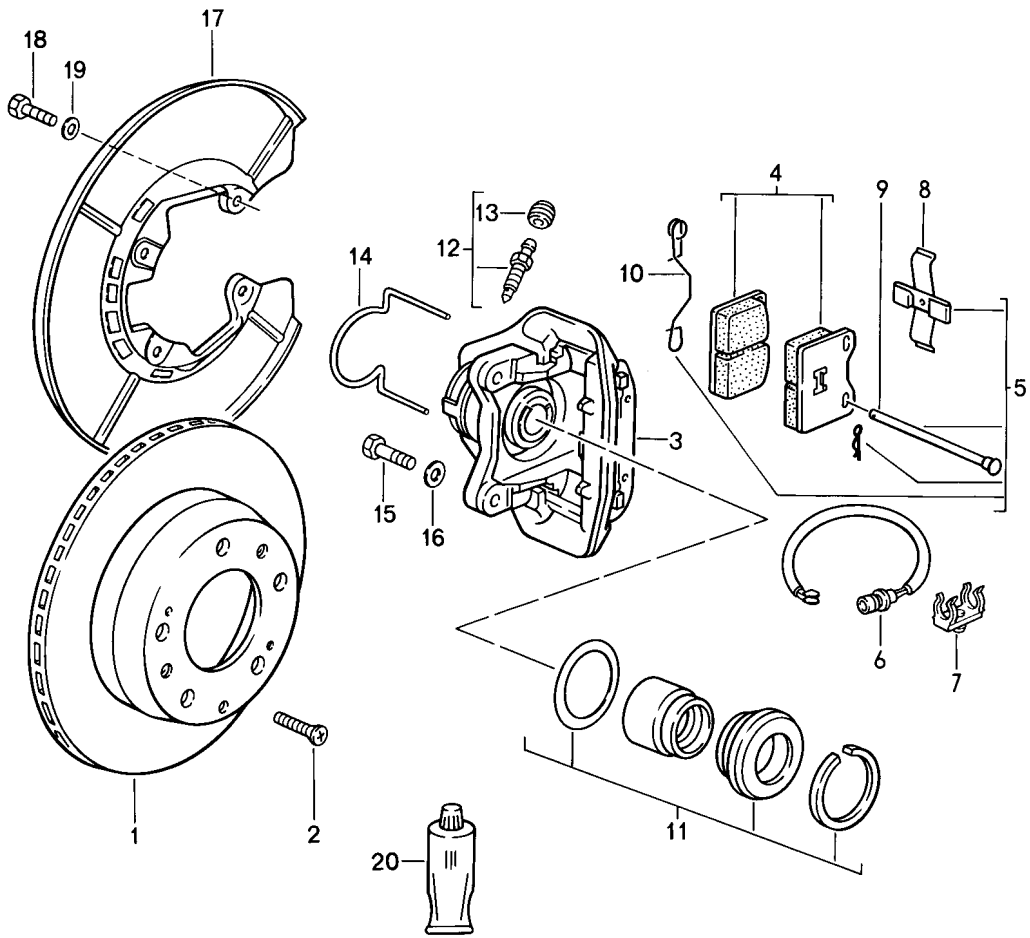
Pos	Part Number	Description	Remark	Qty	Model
		Disc brake Front axle See technical information GR.4, NR.1/89 GR.4, NR.1/93			TURBO
1	951 351 805 00	Cover plate	/L -86	1	
1	951 351 085 00	Cover plate	/L 87-	1	
(1)	951 351 806 00	Cover plate	/R -86	1	
1	951 351 086 00	Cover plate for M 030/758	/R 87-	1	
2	N 010 226 2	It is necessary to rework Hexagon-head bolt M 7 X 10		6	
3	N 012 234 5	Spring washer		6	
4	951 351 041 00	Brake disc	-86	2	
4	951 351 041 02	Brake disc	87-	2	
(4)	928 351 043 60	Brake disc	/L	1	M758
(4)	928 351 044 60	Brake disc	/R	1	M758
5	N 010 242 12	Hexagon-head bolt M 8 X 22		10	
6	N 022 146 1	Lock nut		10	
7	951 351 421 00	Fixed calliper Piston \$ 36/38 See technical information GR.4 NR.2/86	/L -86	1	
7	951 351 421 01	Fixed calliper Piston \$ 36/40	/L 87-	1	
(7)	951 351 422 00	Fixed calliper Piston \$ 36/38 See technical information GR.4 NR.2/86	/R -86	1	
(7)	951 351 422 01	Fixed calliper Piston \$ 36/40	/R 87-	1	
7	951 351 093 00	Fixed calliper Piston \$ 36/44	/L	1	M758
7	951 351 094 00	Fixed calliper Piston \$ 36/44	/R	1	M758
8	N 010 137 2	Hexagon-head bolt M 12 X 1,5 X 35		4	
8	900 083 073 01	Hexagon-head bolt M 12 X 1,5 X 35		4	
8	900 067 154 02	Pan-head screw M 12 X 1,5 X 70		4	M758
9	900 028 014 02	Washer B 12	87-	4	
9	900 028 014 03	Washer B 12		4	
9	N 011 564 2	Washer B 13		4	M758
9	N 011 564 4	Washer B 13		4	M758
10	964 351 939 03	Brake pad repair set without asbestos		1	
-	928 351 096 19	Use also: Damping plate for	87- 87-	4	

Model: 944 85 Model life 1985>>1988

Pos	Part Number	Description	Remark	Qty	Model
-	951 351 096 00	Piston \$ 36 Damping plate for Piston \$ 40	87-	4	
10	993 351 939 01	Brake pad repair set without asbestos Use also: POS.(23)		1	M758
11	930 351 919 00	Ventilation valve		4	
12	930 351 927 00	Dust boot		4	
12	930 351 927 01	Dust boot		4	
13	951 352 950 00	Expanding spring		2	
13	928 351 950 01	Expanding spring		2	M758
14	951 351 971 00	Connecting line		2	
14	928 351 971 00	Connecting line		2	M758
15	951 351 919 00	Gasket set 38 \$	-86	2	
15	951 351 919 02	Gasket set 40 \$	87-	2	
15	928 351 919 01	Gasket set 44 \$		2	M758
16	951 351 919 01	Gasket set 36 \$		2	
17	964 351 959 01	Repair kit Spring plate		2	
17	993 351 959 01	Repair kit Spring plate		2	M758
18	964 351 959 00	Repair kit Spring plate		2	
18	993 351 959 00	Repair kit Spring plate		2	M758
19	000 043 020 00	Optimoly 1 100-gramme tube		X	
19	000 043 117 00	Brake cylinder paste 1 50-g tube		X	
19	000 043 305 11	Brake cylinder paste 1 50-g tube		X	
20	944 612 211 00	Warning contact	-86	2	
20	944 612 211 05	Warning contact		2	
(20)	944 612 365 01	Warning contact Use also:	87-	2	
-	928 612 361 00	Cable holder	87-	2	
21	N 012 241 11	Spring washer		10	
22	951 341 705 00	Cable holder		2	
-	999 651 202 40	Clip for POS.22		2	
23	951 351 089 04	Vibration damper		4	M758

Model: 944 85

Model life 1985>>1988

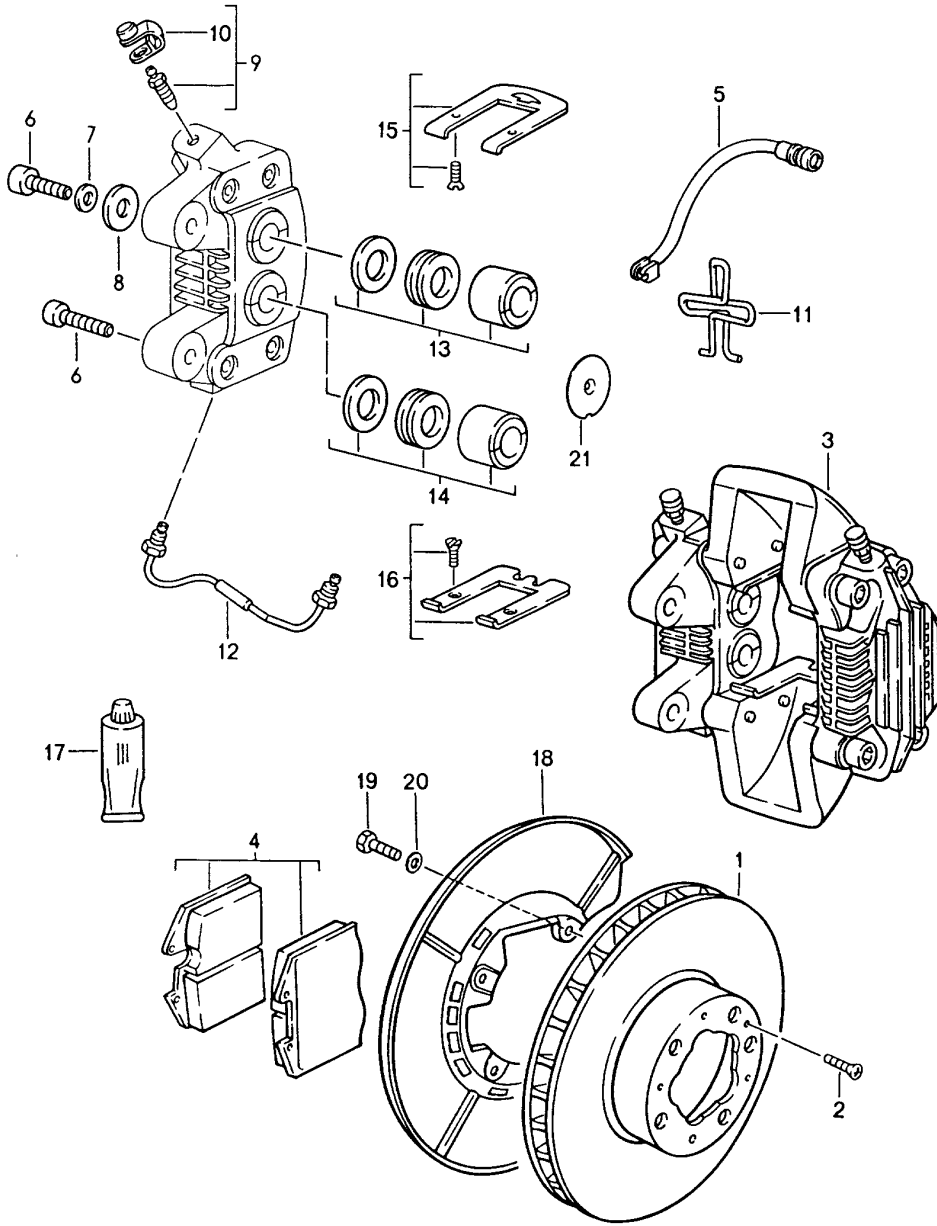


Model: 944 85 Model life 1985>>1988

Pos	Part Number	Description	Remark	Qty	Model
		Disc brake Rear axle			944,944S
1	944 352 041 02	Brake disc	-86	2	
1	944 352 041 03	Brake disc	87-	2	
2	N 033 167 1	Countersunk-head screw M 6 X 12		2	
2	900 269 047 01	Countersunk-head screw M 6 X 12		2	
3	944 352 429 00	Floating calliper without pad	/L	1	
3	944 352 430 00	Floating calliper without pad	/R	1	
4	944 352 951 02	Brake pad repair set without asbestos		1	
4	928 352 951 02	Brake pad repair set without asbestos		1	
5	944 352 952 00	Mounting parts		1	
6	944 612 211 01	Warning contact	-86	2	
6	944 612 211 04	Warning contact		2	
6	944 612 212 01	Warning contact	87-	2	
7	999 651 203 40	Cable holder		2	
8	928 352 935 00	Expanding spring		2	
9	928 351 936 00	Retaining pin		4	
10	944 352 963 00	Safety seal		2	
11	928 352 941 00	Gasket set		2	
12	901 352 977 10	Bleeder valve		2	
13	901 351 927 10	Dust boot		2	
14	944 352 954 00	Guide spring	/R	1	
(14)	944 352 953 00	Guide spring	/L	1	
15	900 082 077 02	Hexagon-head bolt M 12 X 1,5 X 37		4	
15	900 082 145 01	Hexagon-head bolt M 12 X 1,5 X 37		4	
16	N 012 232 1	Spring washer		4	
17	964 352 801 00	Protective plate		2	
18	999 072 005 09	Hexagon nut M 6 X 12		8	
18	999 072 005 01	Hexagon nut M 6 X 12		8	
19	N 012 226 5	Spring washer B 8		8	
20	000 043 117 00	Brake cylinder paste 1 50-g tube		X	
20	000 043 305 11	Brake cylinder paste 1 50-g tube		X	

Model: 944 85

Model life 1985>>1988



Model: 944 85 Model life 1985>>1988

Pos	Part Number	Description	Remark	Qty	Model
		Disc brake Rear axle See technical information GR.4, NR.1/89 GR.4, NR.1/93			TURBO
1	951 352 041 01	Brake disc	-86	2	
1	951 352 041 03	Brake disc		2	
1	951 352 041 02	Brake disc	87-	2	
2	N 033 167 1	Countersunk-head screw M 6 X 12		2	
2	900 269 047 01	Countersunk-head screw M 6 X 12		2	
3	951 352 421 00	Fixed calliper	/L	1	
(3)	951 352 422 00	Fixed calliper	/R	1	
4	964 351 939 03	Brake pad repair set without asbestos Use also: POS.(21)		1	
4	965 352 939 04	Brake pad repair set without asbestos Use also: POS.(21)		1	M758
5	944 612 211 01	Warning contact	-86	2	
5	944 612 211 04	Warning contact		2	
(5)	944 612 365 01	Warning contact	87-	2	
-	928 612 361 00	Cable holder	87-	2	
6	N 040 108 1	Hexagon-head bolt M 12 X 1,5 X 40		4	
7	N 012 232 1	Spring washer B 12		4	
8	999 025 131 01	Spacer		4	
9	930 351 919 00	Ventilation valve		4	
10	930 351 927 00	Dust boot		4	
10	930 351 927 01	Dust boot		4	
11	951 352 950 00	Expanding spring		2	
12	951 352 971 00	Connecting line		2	
13	951 352 919 00	Gasket set \$ 30		2	
14	951 352 919 01	Repair kit \$ 28		2	
15	993 352 959 01	Repair kit Spring plate		2	
16	993 352 959 00	Repair kit Spring plate		2	
17	000 043 020 00	Optimoly 1 100-gramme tube		X	
17	000 043 117 00	Brake cylinder paste 1 50-g tube		X	
17	000 043 305 11	Brake cylinder paste 1 50-g tube		X	
18	964 352 801 00	Protective plate		2	
19	999 072 005 09	Hexagon nut M 6 X 12		8	
19	999 072 005 01	Hexagon nut M 6 X 12		8	
20	N 012 226 5	Spring washer		8	
21	928 352 096 10	Damping plate for Piston \$ 30		4	
21	928 352 096 11	Damping plate for		4	

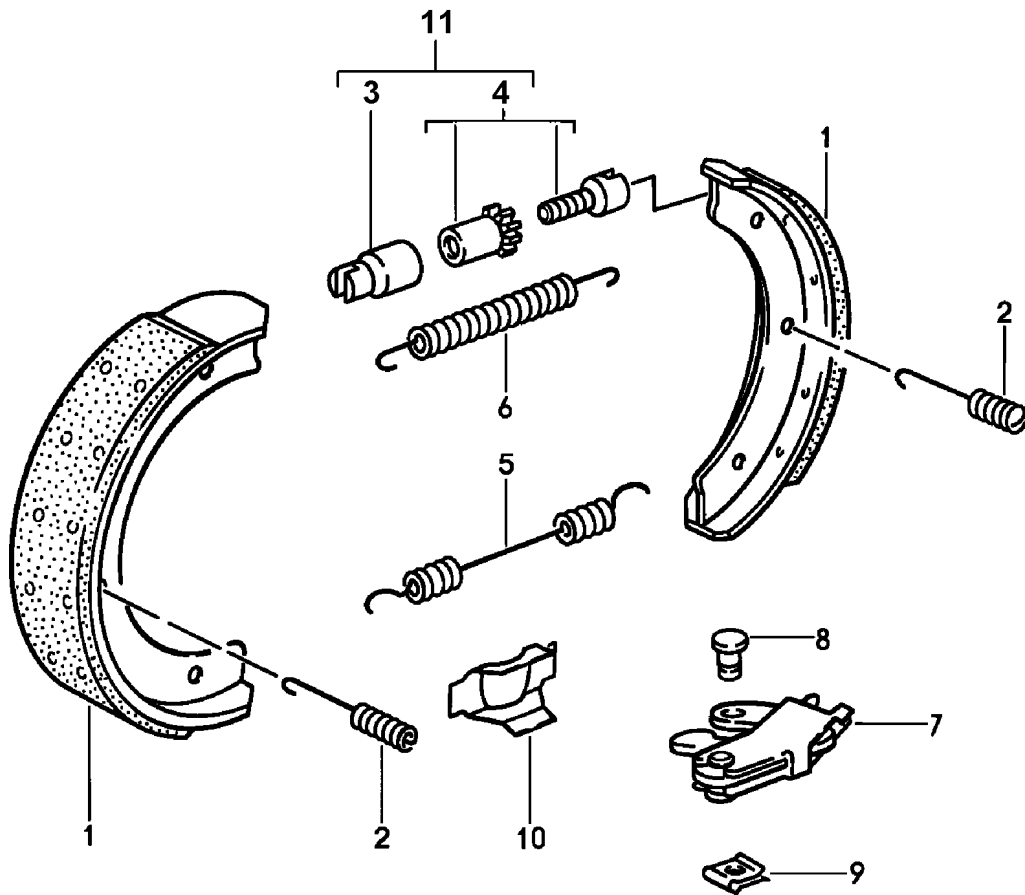
Model: 944 85

Model life 1985>>1988

Pos	Part Number	Description	Remark	Qty	Model
		Piston \$ 28			

Model: 944 85

Model life 1985>>1988



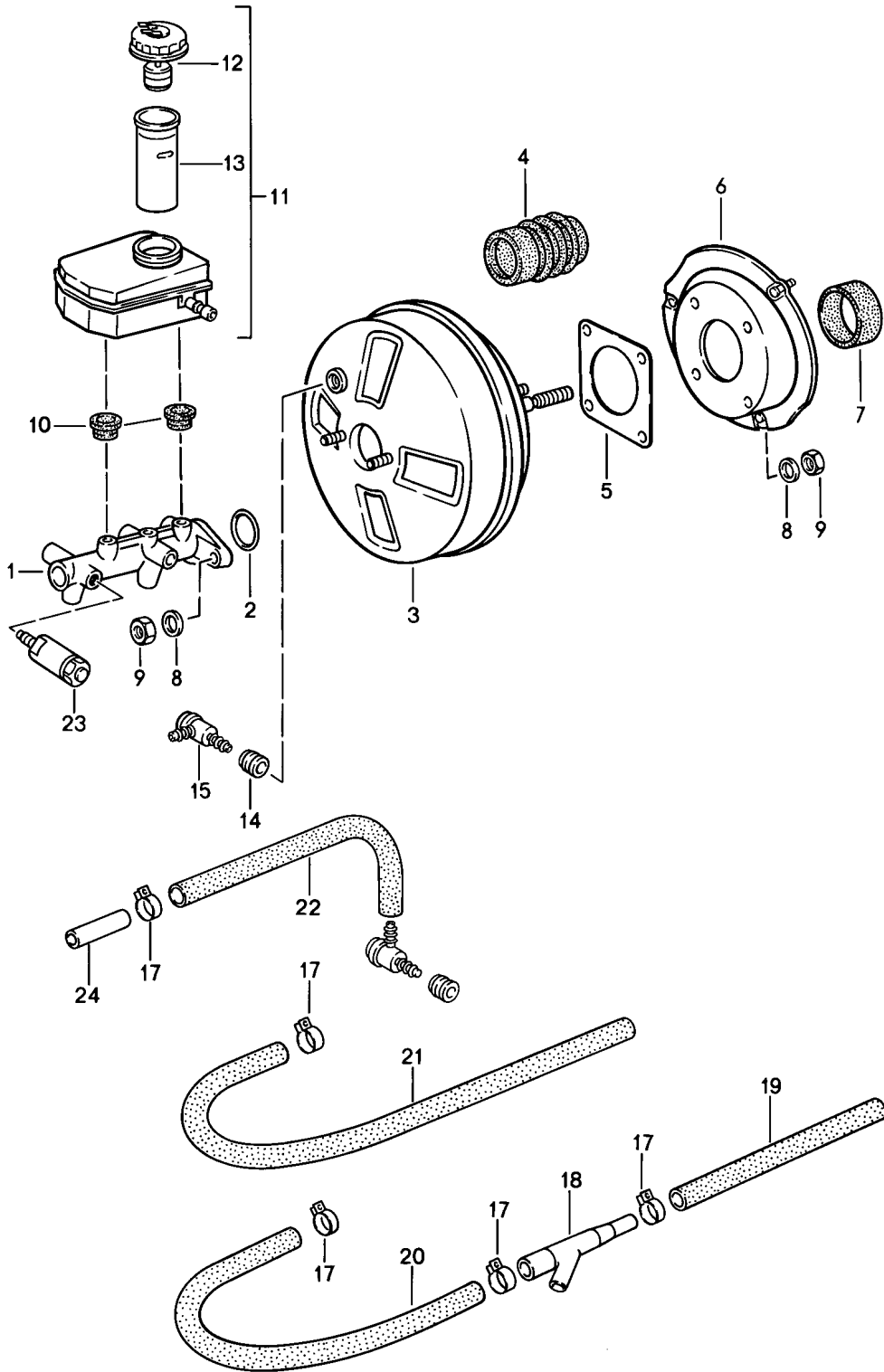
Model: 944 85

Model life 1985>>1988

Pos	Part Number	Description	Remark	Qty	Model
1	996 352 993 00	Handbrake Repair kit without asbestos		4	
(1)	997 352 993 02	Brake shoe 1 set Only together with Compression spring 996.352.741.00 Adjusting screw 993.352.071.00		1	
2	928 352 957 02	Compression spring		4	
(2)	996 352 741 00	Compression spring Only together with Repair kit 997.352.993.02		4	
3	911 352 944 00	Support bush		2	
4	911 352 098 00	Adjusting screw		2	
4	911 352 098 01	Adjusting screw		2	
5	951 352 454 00	Return spring		2	
5	996 352 723 00	Tension spring		2	
6	901 352 932 10	Return spring		2	
7	951 352 090 00	Expanding bow		2	
8	477 609 459	Bolt		2	
9	N 900 588 01	Lock		2	
10	951 352 807 00	Supporting plate		2	
11	993 352 071 00	Adjusting screw Only together with Repair kit 997.352.993.02		2	
11	298 609 723	Adjusting screw Only together with Repair kit 997.352.993.02		2	

Model: 944 85

Model life 1985>>1988



Model: 944 85 Model life 1985>>1988

Pos	Part Number	Description	Remark	Qty	Model
1	944 355 011 00	Brake master cylinder Brake booster Expansion tank			
1	944 355 011 01	Brake master cylinder - girling -	/LL -86	1	944
1	944 355 011 10	Brake master cylinder - ate -	-86	1	944, TURBO
1	951 355 011 01	Brake master cylinder - girling - Brake master cylinder - ate - Brake light switch See group 9/06/00	/LL 87-	1	944,944S
2	251 611 243	Sealing ring	87-	1	944,944S TURBO
3	944 355 023 00	Brake booster - girling -	/LL -86	1	944
3	944 355 023 11	Brake booster - ate -	/LL	1	944
3	944 355 023 10	Brake booster - girling -	/LL 87-	1	944,944S
3	944 355 023 11	Brake booster - ate -		1	944,944S TURBO
4	944 355 323 00	Bellows		1	
5	477 611 951	Gasket		1	
6	951 355 021 01	Intermediate flange		1	
7	477 611 969 D	Gasket		1	
8	900 025 007 02	Washer		9	
8	900 025 007 03	Washer		9	
9	900 076 025 02	Hexagon nut M 8		9	
9	900 076 064 02	Hexagon nut M 8		9	
10	911 355 922 00	Sealing plug		2	
11	951 355 303 02	Expansion tank		1	
12	951 355 351 00	Lid with float		1	
13	951 355 385 00	Restrictor bush		1	
14	911 355 921 00	Rubber seal		1	
14	955 355 921 00	Rubber seal		1	
15	477 611 933 A	Check valve		1	
15	191 611 933 F	Check valve		1	TURBO
17	999 512 346 00	Hose clamp		3	
18	067 133 753 A	Venturi tube		1	
18	067 133 753 B	Venturi tube		1	
-	999 239 011 40	Hose 12 X 19 140 MM		*	
19		Vacuum hose		1	944/944S
(19)	951 110 211 01	Vacuum hose		1	TURBO
20	944 110 219 00	Moulded hose		1	944
20	944 110 219 01	Moulded hose		1	944 AUT.
(20)	944 110 231 00	Moulded hose		1	944 S
(20)	951 110 213 00	Moulded hose		1	TURBO
(20)	951 110 213 01	Moulded hose		1	TURBO
21	944 110 219 00	Moulded hose		1	944
(21)	944 110 231 01	Moulded hose		1	944 S
(21)	944 110 231 02	Moulded hose		1	944 S
(21)	951 110 223 01	Moulded hose		1	TURBO
(21)	951 110 223 02	Moulded hose		1	TURBO
-	321 611 813	T-piece		1	TURBO
-	N 024 125 2	Hose clamp		2	TURBO
23	951 355 305 01	Brake pressure regulator		1	TURBO
23	928 355 305 02	Regulator		1	944S

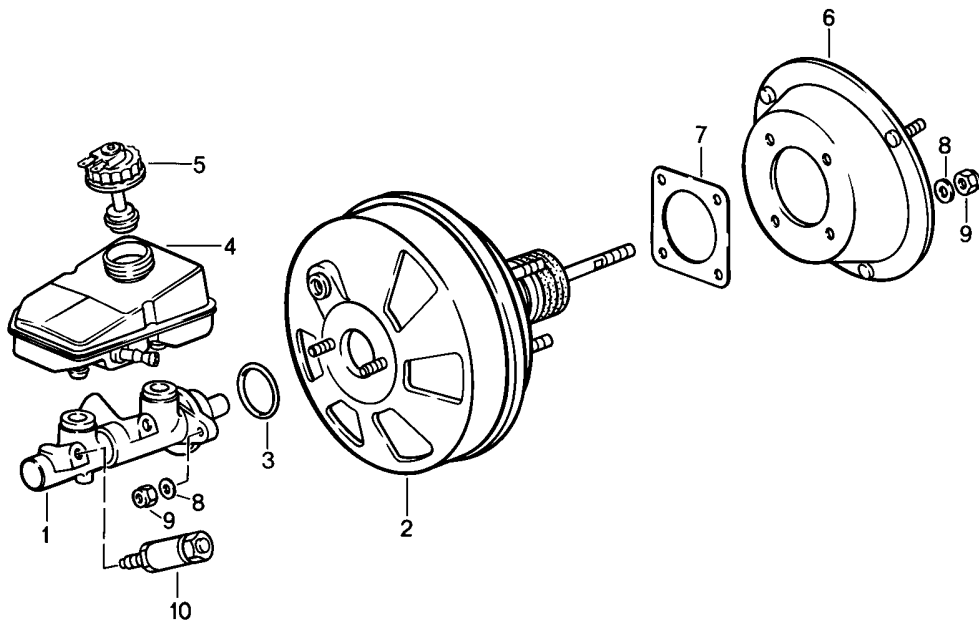
Model: 944 85

Model life 1985>>1988

Pos	Part Number	Description	Remark	Qty	Model
24	999 137 029 40	Hose connection		1	TURBO
-	951 355 023 02	Heat shield		1	TURBO
-	999 072 005 09	Hexagon nut M 6 X 12		3	TURBO
-	999 072 005 01	Hexagon nut M 6 X 12		3	TURBO
-	900 076 010 02	Nut M 6		3	TURBO
-	900 076 010 0B	Nut M 6		3	TURBO
-	N 011 547 1	Washer A 6,5		6	TURBO

Model: 944 85

Model life 1985>>1988



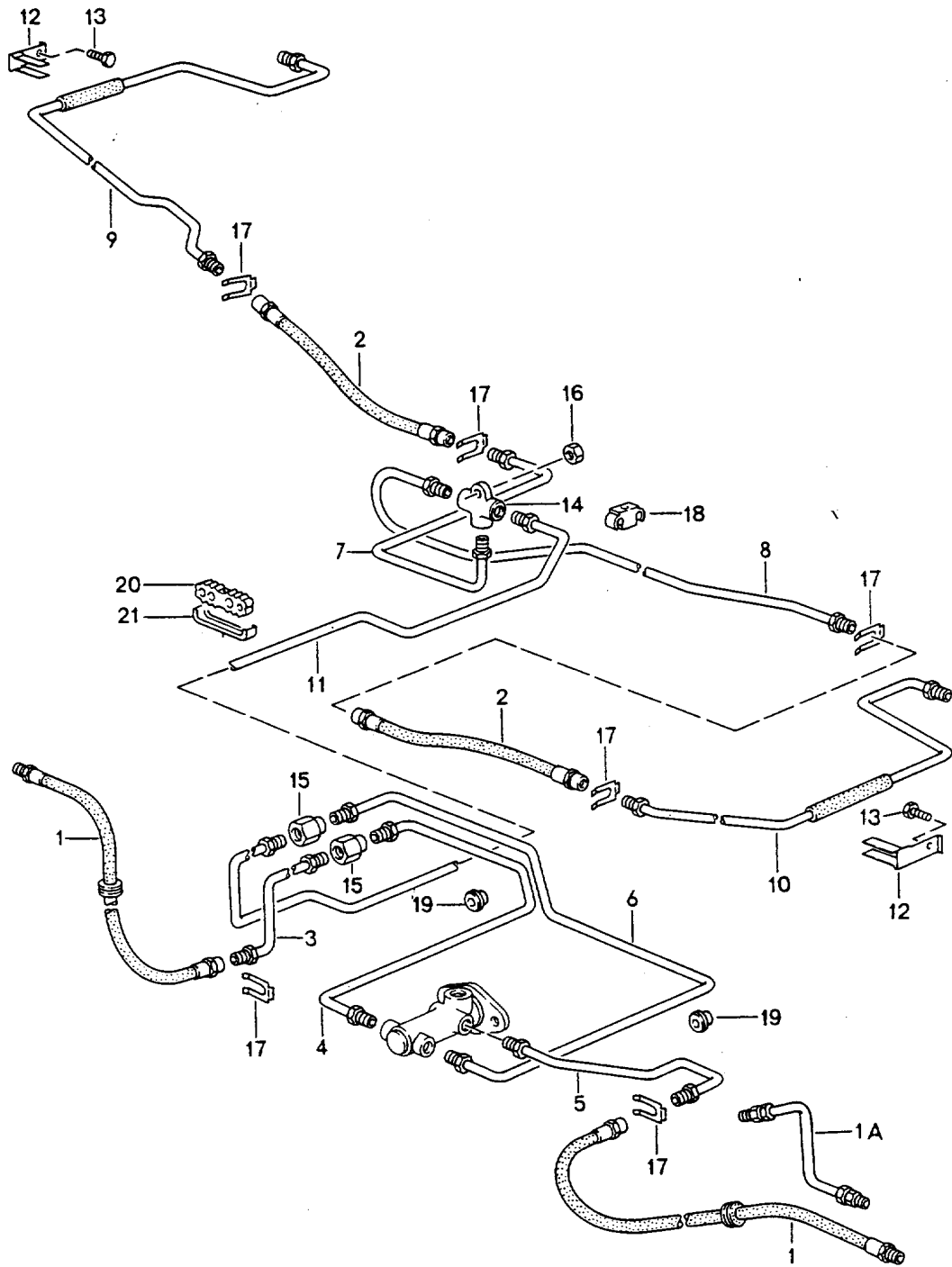
Model: 944 85

Model life 1985>>1988

Pos	Part Number	Description	Remark	Qty	Model
		Brake master cylinder Brake booster Expansion tank -ABS-			M593
1	951 355 011 01	Brake master cylinder - ate -		1	
2	944 355 023 11	Brake booster - ate -		1	
3	251 611 243	Sealing ring		1	
4	951 355 303 02	Expansion tank		1	
5	951 355 351 00	Lid		1	
6	951 355 021 01	Intermediate flange		1	
7	477 611 951	Gasket		1	
8	N 011 525 13	Washer		4	
9	N 022 146 1	Lock nut		4	
10	930 351 919 00	Ventilation valve		1	

Model: 944 85

Model life 1985>>1988

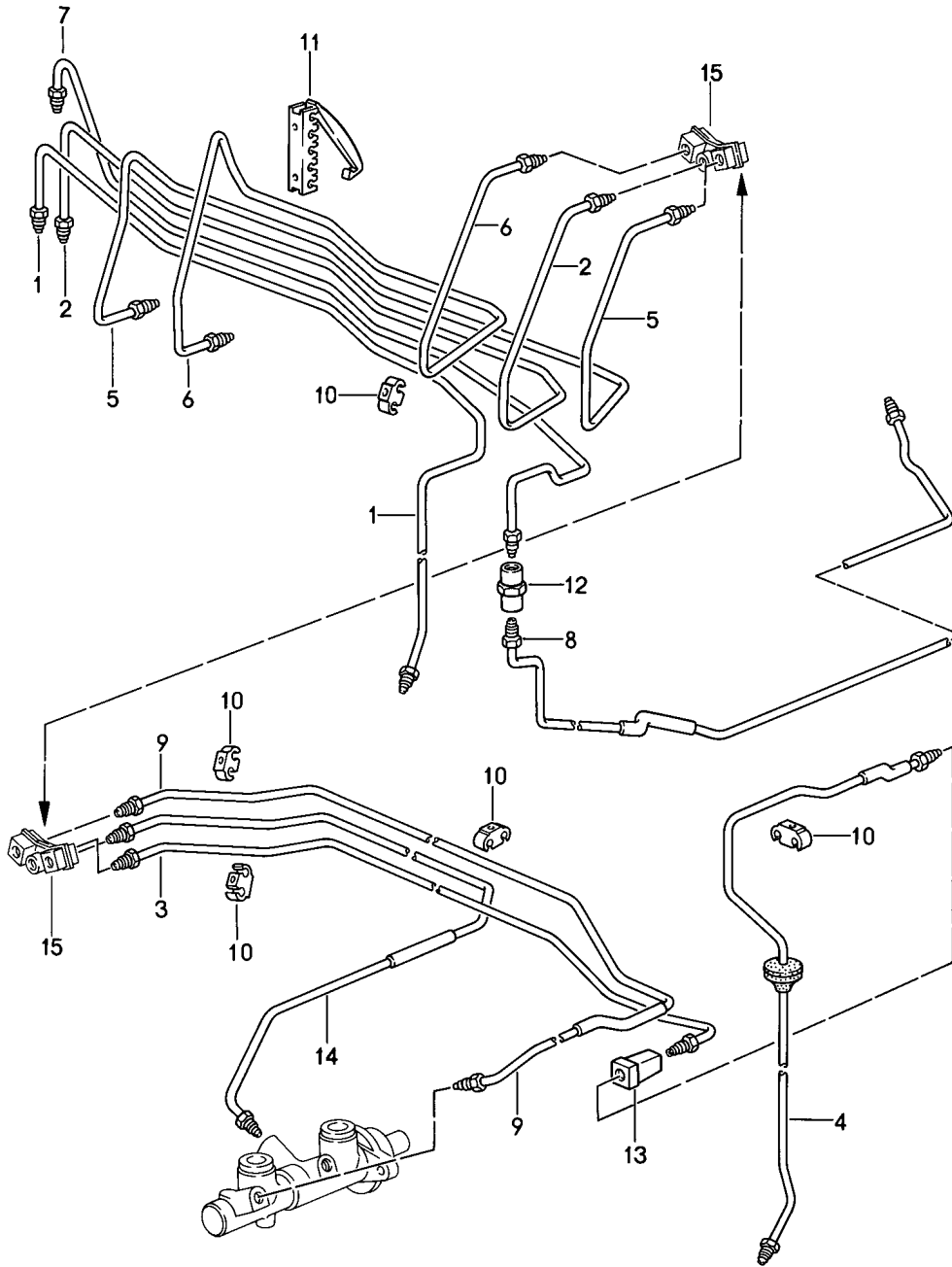


Model: 944 85 Model life 1985>>1988

Pos	Part Number	Description	Remark	Qty	Model
		Brake lines			
1	477 611 071 B	Brake hose	/V -86	2	
1	477 611 071 F	Brake hose	/V	2	
(1)	951 355 079 00	Brake hose	/V -86	2	TURBO
1	944 355 079 01	Brake hose	/V 87-	2	
1	951 355 079 31	Brake hose	/V 87-	2	M758
1A	951 355 041 30	Brake line	/L 87-	1	M758
1A	951 355 042 30	Brake line	/R 87-	1	M758
2	944 355 081 01	Brake hose	/H	2	
3	951 355 032 01	Brake line	/R -86	1	
3	951 355 032 10	Brake line	/R 87-	1	
4	951 355 031 03	Brake line	/R -86	1	
4	951 355 031 15	Brake line	/R 87-	1	
5	951 355 029 10	Brake line	/L	1	
6	944 355 034 01	Brake line	-86	1	
(6)	951 355 033 03	Brake line	-86	1	TURBO
6	951 355 033 10	Brake line	87-	1	944 S, TURBO
6	944 355 034 10	Brake line	87-	1	944.
7	951 355 062 03	Brake line	/R	1	
7		Brake line	/R	1	
8	951 355 061 02	Brake line	/L	1	
9	944 355 036 01	Brake line	/R -86	1	
(9)	951 355 036 01	Brake line	/R -86	1	TURBO
9	951 355 036 02	Brake line	/R 87-	1	
9	951 355 036 03	Brake line	/R 87-	1	
10	944 355 035 01	Brake line	/L -86	1	
(10)	951 355 035 01	Brake line	/L -86	1	TURBO
10	951 355 035 02	Brake line	/L 87-	1	
10	951 355 035 03	Brake line	/L 87-	1	
11	951 355 037 02	Brake line		1	
12	477 611 783	Support		2	
13	N 010 210 13	Hexagon-head bolt		2	
14	914 355 667 00	Distributor		1	
15	951 355 661 00	Intermediate piece	-86	2	
(15)	944 355 083 02	Spacer sleeve	87-	1	
16	N 011 116 5	Hexagon nut		1	
17	113 611 715 A	Brake hose bracket		6	
18	811 611 797	Clip		12	
19	951 355 755 00	Rubber sleeve		4	
20	999 591 975 40	Rubber mounting		8	
21	999 511 199 40	Clamp		8	

Model: 944 85

Model life 1985>>1988



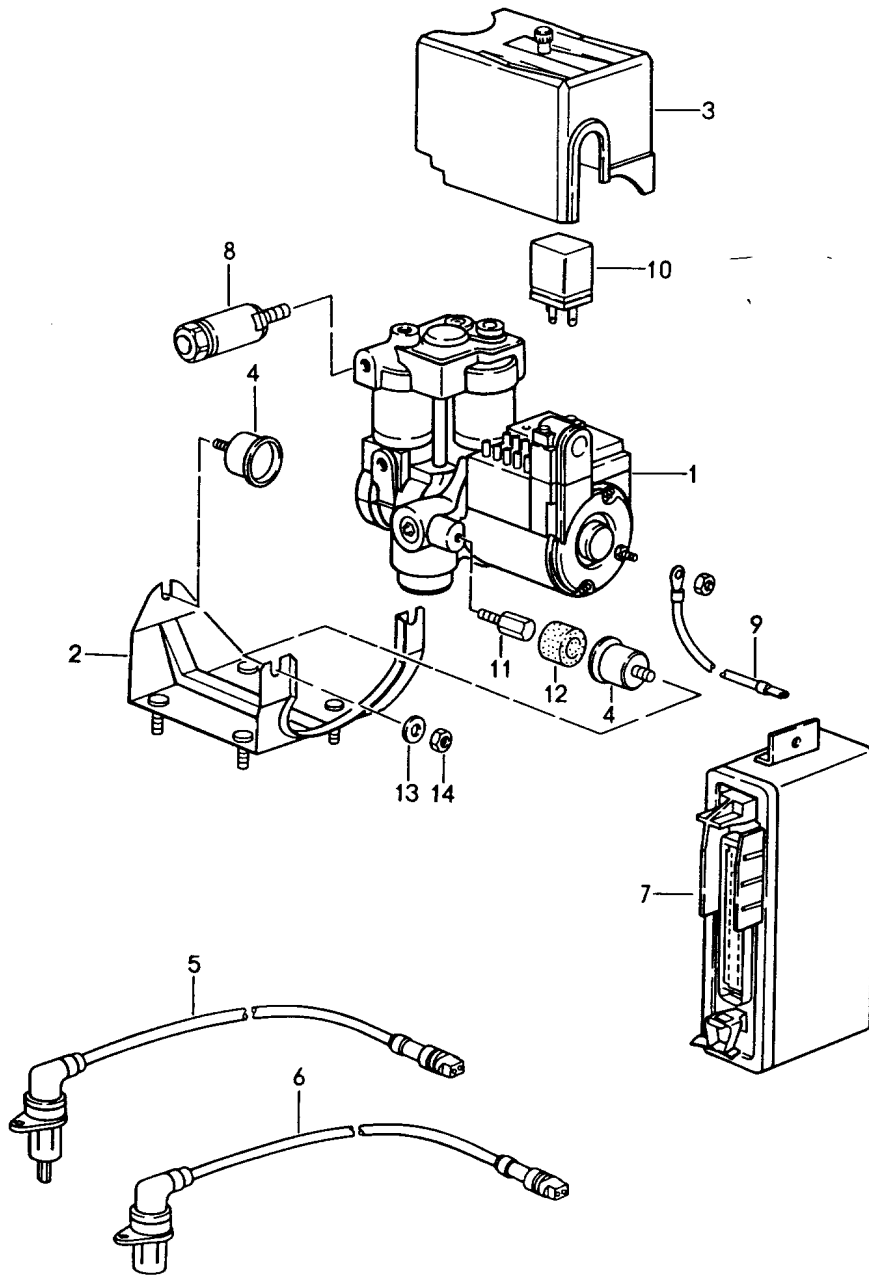
Model: 944 85

Model life 1985>>1988

Pos	Part Number	Description	Remark	Qty	Model
		Brake lines -ABS-			M593
1	944 355 045 10	Brake line	/R	1	
2	944 355 047 15	Brake line	/L	1	
3	944 355 049 00	Brake line	/L	1	
4	944 355 051 01	Brake line	/L 87-	1	
5	944 355 073 10	Brake line	/V	1	
5	944 355 073 13	Brake line	/V	1	
6	944 355 055 10	Brake line	/H	1	
7	944 355 061 00	Brake line	/H	1	944/944S
7	944 355 069 00	Brake line	/H	1	TURBO
8	951 355 059 01	Brake line	/H 87-	1	
9	944 355 034 10	Brake line		1	
10	811 611 797	Clip		6	
11	928 355 637 01	Support		1	
12	914 355 661 00	Intermediate piece		1	
13	944 355 665 00	Intermediate piece		1	
14	951 355 031 15	Brake line		1	
15	944 355 083 03	Intermediate piece		1	

Model: 944 85

Model life 1985>>1988



Model: 944 85 Model life 1985>>1988

Pos	Part Number	Description	Remark	Qty	Model
		Hydraulic unit -ABS-			M593
1	951 355 913 00	Hydraulic unit		1	
2	944 355 063 00	Support		1	
3	928 355 960 00	Cap		1	
		F >>95JN1 60090			
		F >>94JN4 65488			
		F >>94JN4 72775			
		F >>95JN1 51164			
3	928 355 960 01	Cap		1	
		F 95JN1 60091>>			
		F 94JN4 65489>>			
		F 94JN4 72776>>			
		F 95JN1 51165>>			
4	944 355 631 00	Bearing sleeve		3	
4A	437 614 177	Rubber buffer		3	
5	928 606 404 02	Speed sensor	/V	2	
6	944 606 401 02	Speed sensor	/H	2	
7	928 618 118 00	Control unit		1	
7	928 618 118 X	Control unit		1	
8	928 355 305 02	Regulator		1	944
8	951 355 305 01	Brake pressure regulator		1	944S/TURBO
9	928 612 189 01	Ground strap		1	
10	928 618 931 00	Relay for Valve		1	
		F >>95JN1 60090			
		F >>94JN4 65488			
		F >>94JN4 72775			
		F >>95JN1 51164			
10	928 618 931 01	Relay for Valve		1	
		F 95JN1 60091>>			
		F 94JN4 65489>>			
		F 94JN4 72776>>			
		F 95JN1 51165>>			
10	928 618 930 00	Relay for Engine		1	
		F >>95JN1 60090			
		F >>94JN4 65488			
		F >>94JN4 75775			
		F >>95JN1 51164			
10	928 618 930 01	Relay for Engine		1	
		F 95JN1 60091>>			
		F 94JN4 65489>>			
		F 94JN4 72776>>			
		F 95JN1 51165>>			
11	944 355 667 00	Bolt M 6		3	
12	437 614 177	Rubber buffer		3	
13	N 011 666 7	Washer B 6,4		3	
14	N 011 062 3	Cap nut M 6		3	

Model: 944 85

Model life 1985>>1988



Model: 944 85 Model life 1985>>1988

Pos	Part Number	Description	Remark	Qty	Model
>>	944 351 951 02	Repair kits Brake pad repair set without asbestos Comprising: Brake pad	/V	1	944/944S
>>	944 351 951 03	Brake pad repair set without asbestos Comprising: Brake pad	/V	1	944/944S
>>	944 351 952 01	Mounting parts for Brake pad repair set Comprising:	/V	1	944/944S
-	928 351 935 00	Expanding spring		2	
-	928 351 936 00	Retaining pin		4	
-	928 351 955 00	Safety seal		2	
>>	964 351 939 03	Brake pad repair set without asbestos Comprising: Brake pad	/V 87-	1	TURBO
-	928 351 096 19	Use also: Damping plate for Piston \$ 36	87- /V 87-	4	TURBO
-	951 351 096 00	Damping plate for Piston \$ 40	/V 87-	4	TURBO
>>	993 351 939 01	Brake pad repair set without asbestos Comprising: Brake pad Use also:	/V	1	TURBO M758
-	951 351 089 04	Vibration damper	/V	4	TURBO M758
>>	928 351 941 00	Gasket set for Floating calliper Comprising: Gasket Protection cap Circlip	/V	2	944/944S
>>	951 351 919 01	Gasket set for Fixed calliper Comprising: Piston \$ 36 MM Sealing ring Scraper ring	/V	2	TURBO
>>	951 351 919 00	Gasket set for Fixed calliper Comprising: Piston \$ 38 MM Sealing ring Scraper ring	/V -86	2	TURBO
>>	951 351 919 02	Gasket set for Fixed calliper	/V 87-	2	TURBO

Model: 944 85 Model life 1985>>1988

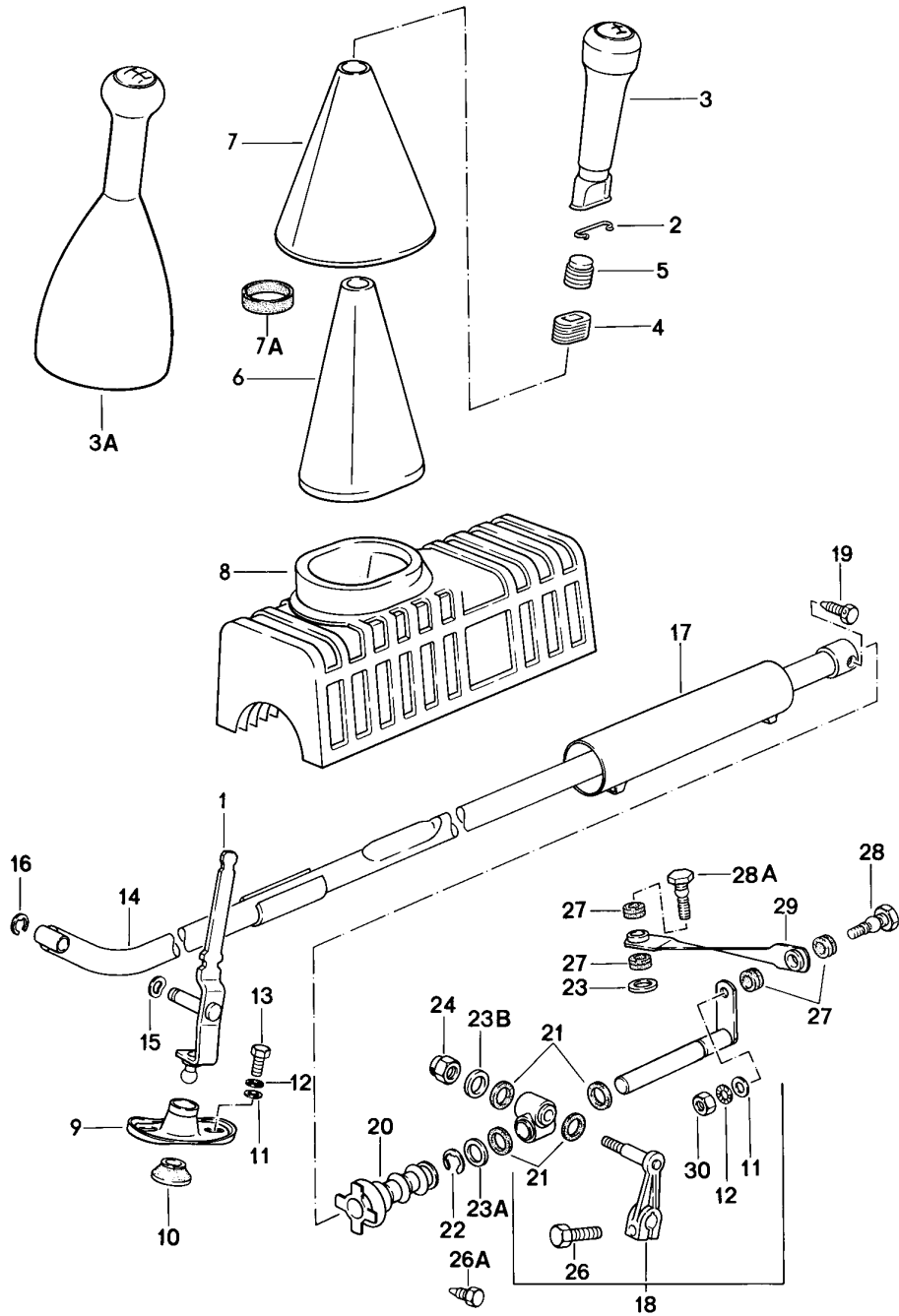
Pos	Part Number	Description	Remark	Qty	Model
>>	928 351 919 01	Comprising: Piston \$ 40 MM Sealing ring Scraper ring Gasket set	/V	1 1 1 2	TURBO M758
>>	964 351 959 00	for Fixed calliper Comprising: Piston \$ 44 MM Sealing ring Scraper ring Repair kit	/V	1 1 1 2	TURBO
>>	964 351 959 01	Comprising: Spring plate Countersunk-head screw Repair kit	/V	1 2 2	TURBO
>>	993 351 959 00	Comprising: Spring plate Countersunk-head screw Repair kit	/V	1 2 2	TURBO M758
>>	993 351 959 01	Comprising: Spring plate Countersunk-head screw Repair kit	/V	1 2 2	TURBO M758
>>	944 352 951 02	Comprising: Spring plate Countersunk-head screw Brake pad repair set without asbestos	/H	1 2 1	944/944S
>>	928 352 951 02	Brake pad repair set without asbestos	/H	1	944/944S
>>	944 352 952 00	Mounting parts for Brake pad repair set	/H	1	944/944S
>>	965 352 939 04	Comprising: Expanding spring Retaining pin Retaining spring Safety seal Brake pad repair set	/H	2 4 2 4 1	TURBO M758
>>	964 351 939 03	without asbestos Comprising: Brake pad Brake pad repair set without asbestos	/H	4 1	TURBO
-	928 352 096 10	Comprising: Brake pad Use also: Damping plate for Piston \$ 30	/H	4	TURBO
-	928 352 096 11	Damping plate for Piston \$ 28	/H	4	TURBO
>>	928 352 941 00	Gasket set	/H	2	944/944S

Model: 944 85 Model life 1985>>1988

Pos	Part Number	Description	Remark	Qty	Model
>>	951 352 919 01	for Floating calliper Comprising: Gasket Protection cap Circlip Slide Repair kit	/H	1 1 1 2 2	TURBO
>>	951 352 919 00	for Fixed calliper Comprising: Piston \$ 28 MM Sealing ring Scraper ring Gasket set	/H	1 1 1 2	TURBO
>>	993 352 959 00	for Fixed calliper Comprising: Piston \$ 30 MM Sealing ring Scraper ring Repair kit	/H	1 1 1 2	TURBO
>>	993 352 959 01	Comprising: Spring plate Countersunk-head screw Repair kit	/H	1 2 2	TURBO
>>	944 355 911 00	Comprising: Spring plate Countersunk-head screw Repair kit	-86	1	944
>>	944 355 011 00	for Brake master cylinder - GIRLING - for Brake master cylinder		1	944
>>	944 355 911 01	- GIRLING - Repair kit for Brake master cylinder - ate -	-86	1	944 TURBO

Model: 944 85

Model life 1985>>1988



Model: 944 85 Model life 1985>>1988

Pos	Part Number	Description	Remark	Qty	Model
		Actuator for Manual transmission			
1	477 711 205 D	Gearshift lever		1	
2	477 711 269	Retainer spring		1	
3	477 711 289 A	Gearshift knob Leatherette		1	
	477 711 289 A 01C	Black			
	477 711 289 A 89S	Brown			
	477 711 289 A 9MM	Burgundy			
3	477 711 289 B	Gearshift knob Leatherette		1	016.8/9
	477 711 289 B 01C	Black			
3A	944 424 075 00	Gearshift knob with Boot Leather		1	M018/416 M431
	944 424 075 00 1AJ	Black			
	944 424 075 00 4RB	Brown			
	944 424 075 00 7LD	Burgundy			
4	477 711 219	Vibration damper		1	
(4)	931 424 111 00	Vibration damper		1	M018/416 M431
5	477 711 217	Vibration damper		1	
(5)	931 424 110 00	Vibration damper		1	M018/416 M431
6	477 711 270 B	Inner sleeve		1	
7	944 424 023 00	Boot		1	
	944 424 023 00 05T	Black			
	944 424 023 00 4RB	Brown			
	944 424 023 00 3MX	Burgundy			
7	944 424 023 01	Boot		1	
	944 424 023 01 05T	Black			
7A	477 711 257	Rubber ring		1	
8	477 711 239	Sound absorber		1	
9	944 424 229 00	Bearing bracket		1	
10	944 424 231 01	Bearing shell		1	
11	N 011 525 13	Washer A 8,4		3	
12	N 012 108 2	Serrated lock washer 8,4		3	
13	N 010 237 6	Hexagon-head bolt M 8 X 12		2	
13	N 010 237 14	Hexagon-head bolt M 8 X 12		2	
14	944 424 019 00	Gear shift rod		1	
15	900 028 005 02	Spring washer A 10		1	
16	N 012 437 1	Lock washer		1	
17	477 711 285	Protective tube		1	
18	944 424 013 02	Intermediate shift lever		1	
19	823 711 833	Hexagon-head bolt		1	
20	477 711 159 B	Bellows		1	
21	477 711 149	Sealing ring		4	
22	N 012 415 1	Circlip 15 X 1		1	
23	999 025 096 02	Washer		2	
23A	477 711 139 A	Washer		1	
23B	477 711 139	Washer		1	
24	900 910 003 02	Lock nut M 8		2	
24	900 910 003 04	Lock nut VM 8		2	

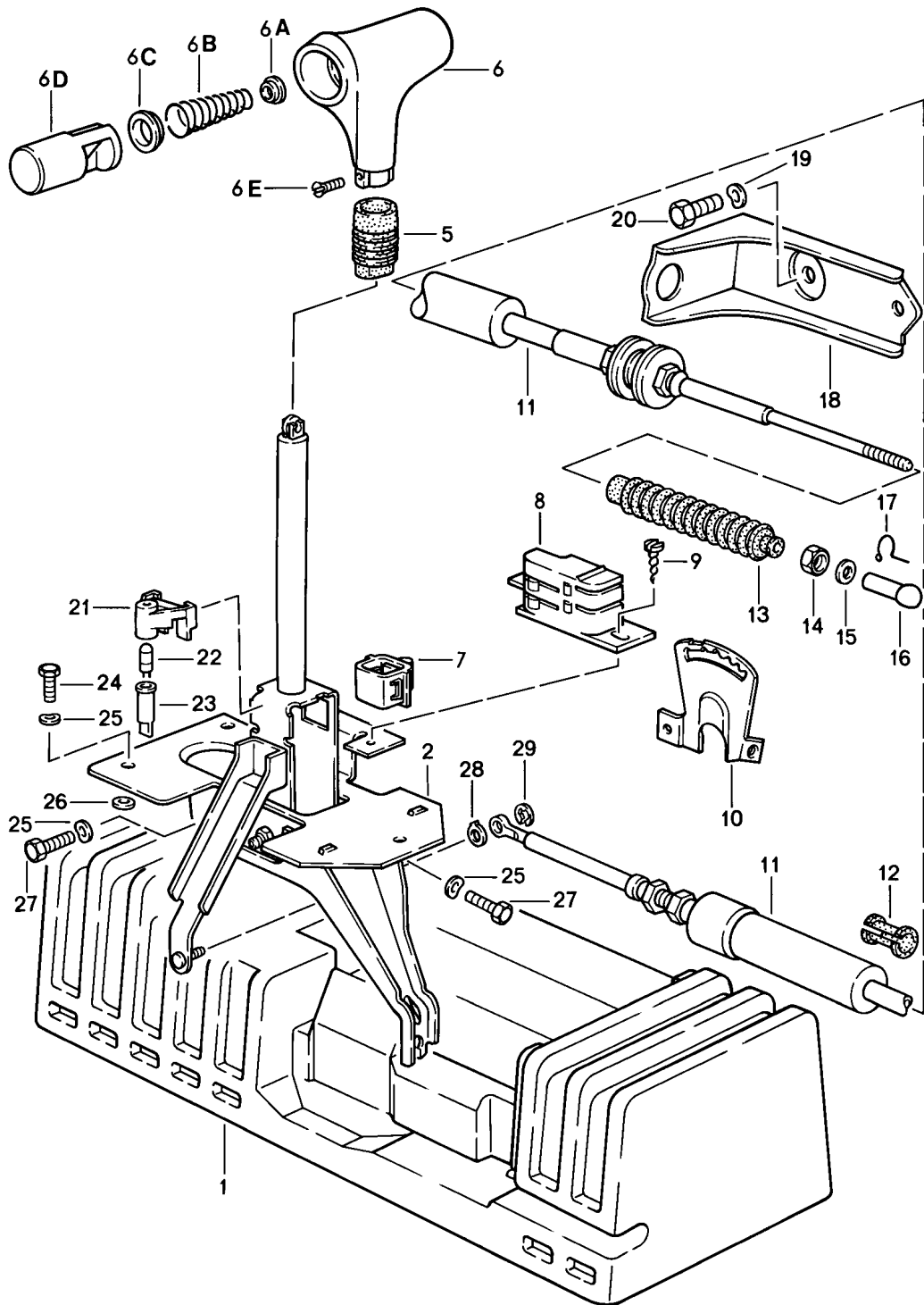
Model: 944 85

Model life 1985>>1988

Pos	Part Number	Description	Remark	Qty	Model
25	N 012 241 11	Spring washer B 8 X 15		2	
26	443 711 189 A	Hexagon-head bolt		1	
26A		Hexagon-head bolt		1	
27	477 711 155 A	Sealing ring		4	
28	944 424 147 00	Ball pin		1	
28A	477 711 147 A	Ball pin		1	
29	944 424 141 00	Joint rod		1	

Model: 944 85

Model life 1985>>1988



Model: 944 85 Model life 1985>>1988

Pos	Part Number	Description	Remark	Qty	Model
(1)	944 426 182 01	Actuator for Automatic transmission Sound absorber Use also:		1	
-	944 426 181 00	Sound absorber		1	
2	944 426 025 01	Shift mechanism		1	
5	944 426 279 00	Cover		1	
	944 426 279 00 01C	Black			
	944 426 279 00 89S	Brown			
(6)	944 426 075 00	Selector knob		1	
	944 426 075 00 1AJ	Black			
	944 426 075 00 4RB	Brown			
	944 426 075 00 7LD	Burgundy			
		Use also:	-86		
-	944 552 517 00	Frame		1	
-	944 552 527 00	Cover		1	
6A	922 424 203 00	Concave washer		1	
6B	922 424 176 03	Compression spring		1	
6C	922 424 201 00	Concave washer		1	
6D	928 426 174 01	Key		1	
6E	N 033 165 1	Countersunk-head screw M 4 X 8		2	
7	171 927 145 A	Contacts		1	
8	311 927 147 B	Support for contact		1	
-	944 612 061 01	Switch for Shift mechanism		1	
-	944 613 621 01	Contact spring		1	
9	N 013 968 1	Oval-head sheetmetal screw B 4,8 X 13		2	
10	944 426 109 01	Detent		1	
11	477 713 265 C	Cable		1	
12	431 609 781	Protective tube		2	
13	477 609 715	Sealing sleeve		1	
14	N 011 005 14	Hexagon nut M 5		1	
14	900 076 091 01	Hexagon nut M 5		1	
15	900 151 027 02	Washer B 5,3		1	
15	900 151 027 03	Washer B 5,3		1	
16	911 423 147 00	Ball socket		1	
17	900 169 014 02	Securing clip		1	
17	900 169 014 01	Securing clip		1	
18	477 713 281 A	Retaining bracket		1	
19	N 012 038 1	Lock ring B 8		2	
20	N 010 240 16	Hexagon-head bolt M 8 X 20		2	
21	321 713 855 A	Bulb holder		1	
22	900 631 132 90	Bulb		1	
23	111 919 243	Bulb socket		1	
24	N 010 217 9	Hexagon-head bolt M 6 X 20		3	
25	N 012 226 5	Spring washer B 6		5	
26	N 900 067 01	Washer 6,4		3	
27	N 010 215 13	Hexagon-head bolt M 6 X 15		2	
28	473 867 471	Sealing ring		1	

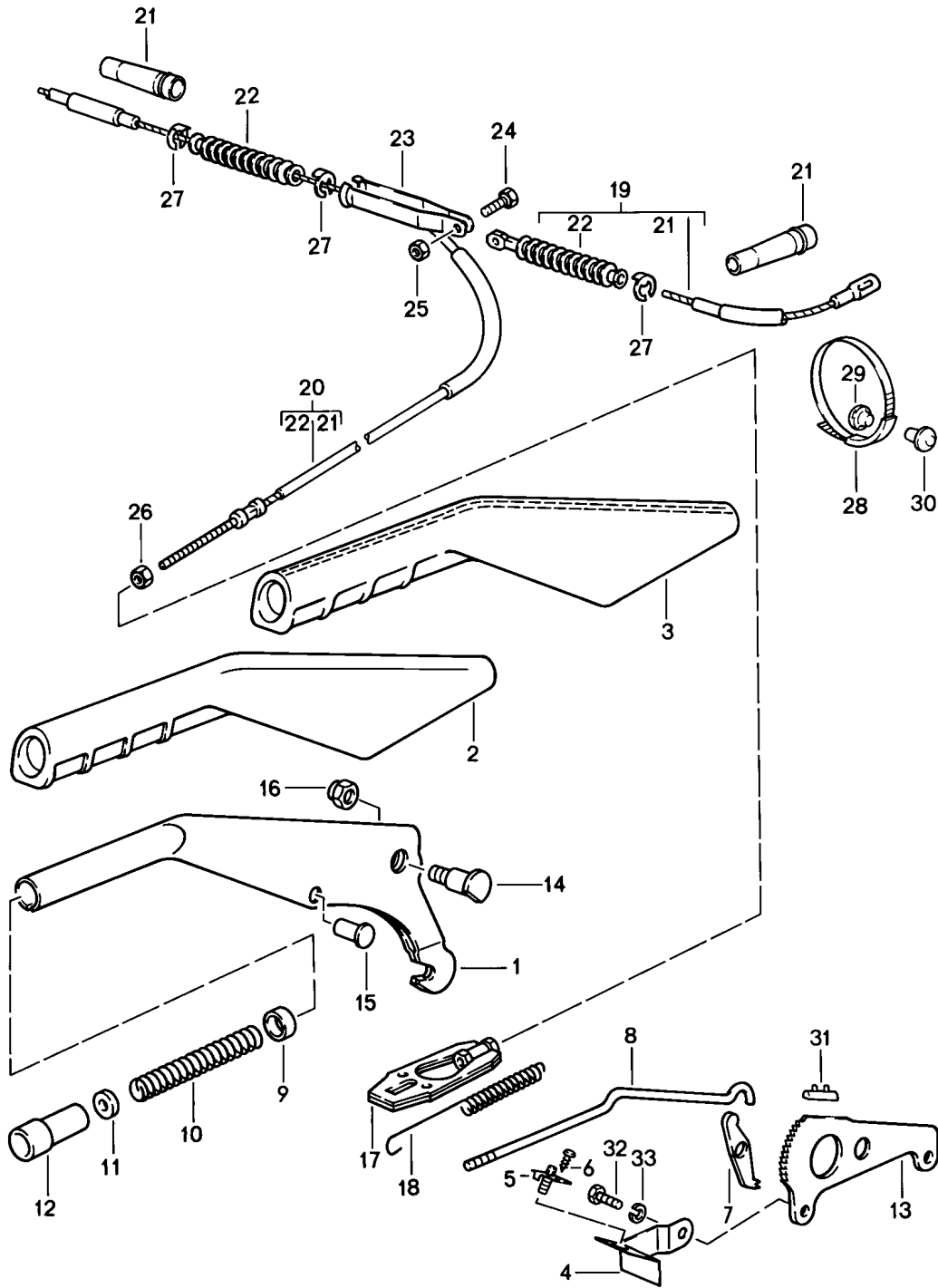
Model: 944 85

Model life 1985>>1988

Pos	Part Number	Description	Remark	Qty	Model
29	N 012 325 1	Lock washer		1	

Model: 944 85

Model life 1985>>1988



Model: 944 85

Model life 1985>>1988

Pos	Part Number	Description	Remark	Qty	Model
1	928 424 253 14	Parking-brake lever		1	
2	944 424 259 01	Cover		1	
	944 424 259 01 1AJ	Black			
	944 424 259 01 4RB	Brown			
	944 424 259 01 7LD	Burgundy			
3	944 424 049 00	Parking-brake lever		1	TURBO
		Leather			
	944 424 049 00 1AJ	Black			
4	944 424 535 00	Support	/LL	1	
5	968 613 601 00	Contact switch		1	
6	N 013 957 5	Oval-head sheetmetal screw		1	
		B 3,5 X 9,5			
7	928 424 508 00	Pawl		1	
8	928 424 255 12	Push rod		1	
9	914 424 258 00	Guide sleeve		1	
10	901 424 543 00	Compression spring		1	
11	901 424 593 01	Ring		1	
12	928 424 523 12	Push button		1	
13	928 424 541 14	Locking segment		1	
14	928 424 527 00	Bearing pin		2	
15	900 120 040 02	Rivet		1	
16	900 084 004 03	Hexagon nut		1	
16	900 084 004 02	Hexagon nut		1	
17	928 424 033 00	Turnbuckle		1	
18	944 424 537 00	Return spring		1	
19	951 424 071 02	Parking-brake cable		1	
		Short			
20	951 424 072 02	Parking-brake cable		1	
		Long			
21	477 609 723	Guide tube		2	
21	924 424 524 00	Guide tube		2	
22	477 609 715	Sealing sleeve		2	
23	477 711 965	Compensating bow		1	
24	N 010 217 4	Hexagon-head bolt		1	
		M 6 X 20			
25	900 910 012 02	Lock nut		1	
		M 6			
25	900 910 047 09	Lock nut		1	
		M 6			
26	900 076 010 02	Nut		1	
		M 6			
26	900 076 010 0B	Nut		1	
		M 6			
27	N 012 328 1	Lock washer		3	
		8			
28	477 711 979	Retaining strap		2	
29	N 013 530 3	Rivet		2	
30	N 013 510 1	Compression rivet		2	
31	901 424 509 01	Stop		1	
32	N 010 239 11	Hexagon-head bolt		1	
		M 8 X 8			
32	N 010 239 30	Hexagon-head bolt		1	
		M 8 X 8			
33	900 027 015 02	Lock ring		1	
		B 8			
33	900 027 015 03	Lock ring		1	
		B 8			

Model: 944 85 Model life 1985>>1988

Pos	Part Number	Description	Remark	Qty	Model
		Brake Clutch Pedals Left-hand drive			
1	944 423 051 00	Brake pedal	-86	1	
1	944 423 051 03	Brake pedal	87-	1	
(1)	944 423 051 04	Brake pedal		1	AUT.
2	443 721 153 A	Bearing sleeve		2	
(2)	999 201 021 00	Needle sleeve	86- 88	2	TURBO 944S
3	321 721 173	Pedal cap		2	
(3)	827 723 173	Cap		1	AUT.
4	321 721 191	Return spring		2	
4A	477 721 353 A	Clutch power spring		1	
4A	951 423 053 02	Clutch power spring		1	TURBO
5	803 721 213	Clevis	-86	1	
5	999 166 061 30	Clevis	87-	1	
6	N 011 010 6	Hexagon nut M 10		1	
6	N 101 552 10	Hexagon nut M 10		1	
7	999 703 183 40	Buffer		1	
8	843 721 309	Bolt 12 X 185 X 180		1	
(8)	N 023 151 2	Bearing pin 12 X 144 X 139		1	AUT.
9	N 012 653 1	Lock washer		1	
10	N 023 476 1	Bolt 8 X 32		1	
11	944 423 937 01	Clutch pedal		1	
11	951 423 037 00	Clutch pedal		1	TURBO
12	477 721 171	Clutch master cylinder		1	
13	928 423 908 00	Bellows		1	
14	928 423 517 00	Clevis		1	
15	999 924 002 40	Bush		1	
16	900 025 008 09	Washer A 10,5		1	
16	900 025 008 04	Washer A 10,5		1	
17	999 166 034 02	Sl-lock		1	
18	928 423 191 00	Gasket		1	
19	900 027 015 02	Lock ring B 8		2	
19	900 027 015 03	Lock ring B 8		2	
20	900 076 025 02	Hexagon nut M 8		3	
20	900 076 064 02	Hexagon nut M 8		3	
21	999 181 021 50	Hose 12,5 X 7,5 220 MM		*	
22	951 423 189 01	Clutch hose		1	944/TURBO
22	477 721 189 A	Clutch hose		1	944S
22	477 721 189 B	Clutch hose		1	944S
23	951 423 091 11	Clutch pipeline		1	944/TURBO
23	944 423 091 00	Clutch pipeline		1	944S
24	999 924 001 40	Bearing sleeve		1	
25	N 011 525 13	Washer A 8,4		1	
26	N 900 470 01	Lock washer		1	
27	N 900 067 01	Washer 6,4		1	

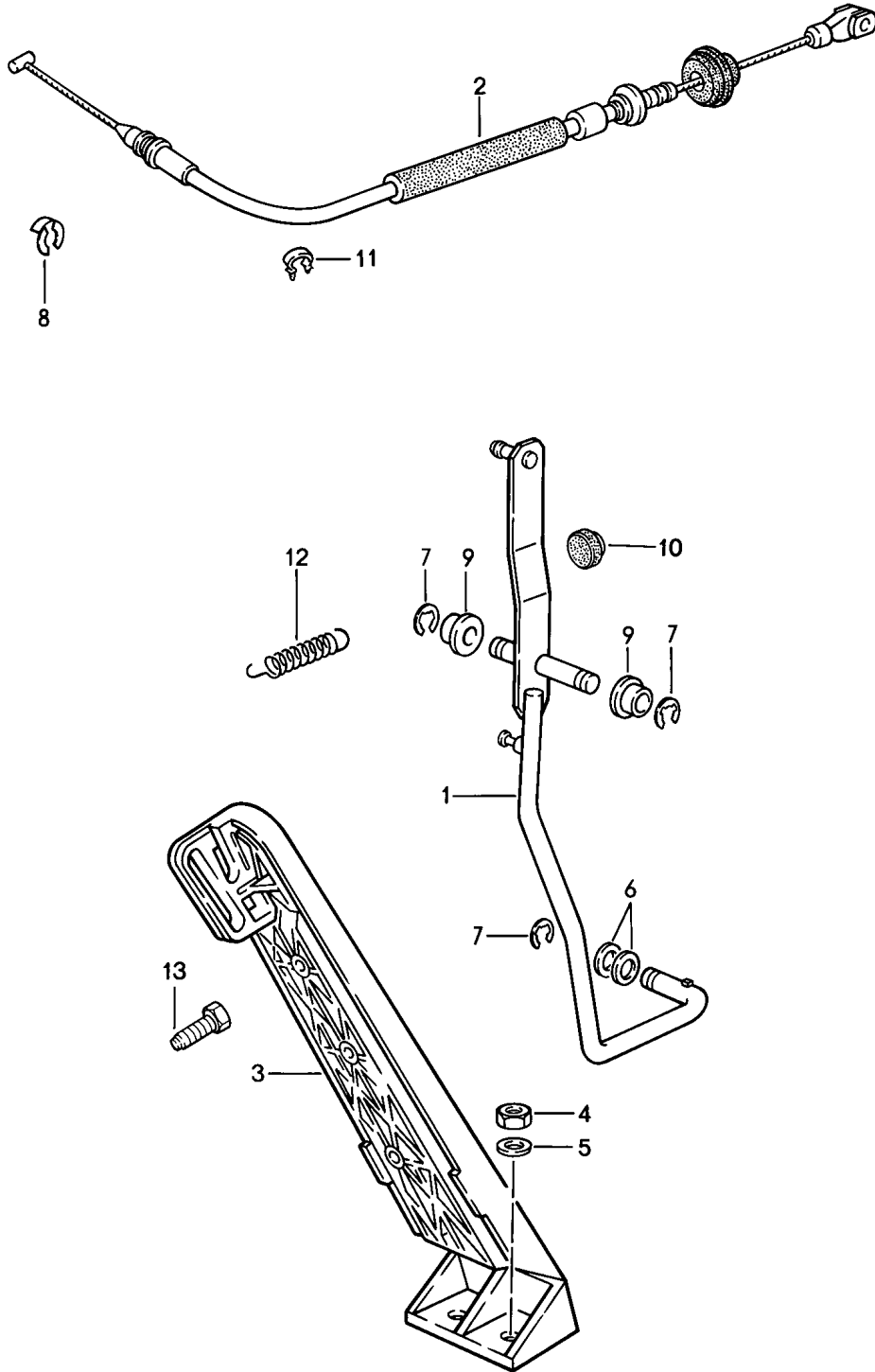
Model: 944 85

Model life 1985>>1988

Pos	Part Number	Description	Remark	Qty	Model
28	N 020 680 1	Clip		1	
29	N 010 264 4	Hexagon-head bolt M 6 X 20		1	
30	944 423 193 01	Support		1	
31	N 010 207 6	Hexagon-head bolt M 5 X 12		1	
31	N 010 207 17	Hexagon-head bolt M 5 X 12		1	
32	N 012 225 2	Spring washer B 5		1	
33	N 011 005 14	Hexagon nut M 5		1	
33	900 076 091 01	Hexagon nut M 5		1	
34	N 010 239 11	Hexagon-head bolt M 8 X 18		1	
34	N 010 239 30	Hexagon-head bolt M 8 X 18		1	
35	900 025 007 02	Washer		1	
35	900 025 007 03	Washer		1	
36	311 955 255	Washer		1	

Model: 944 85

Model life 1985>>1988



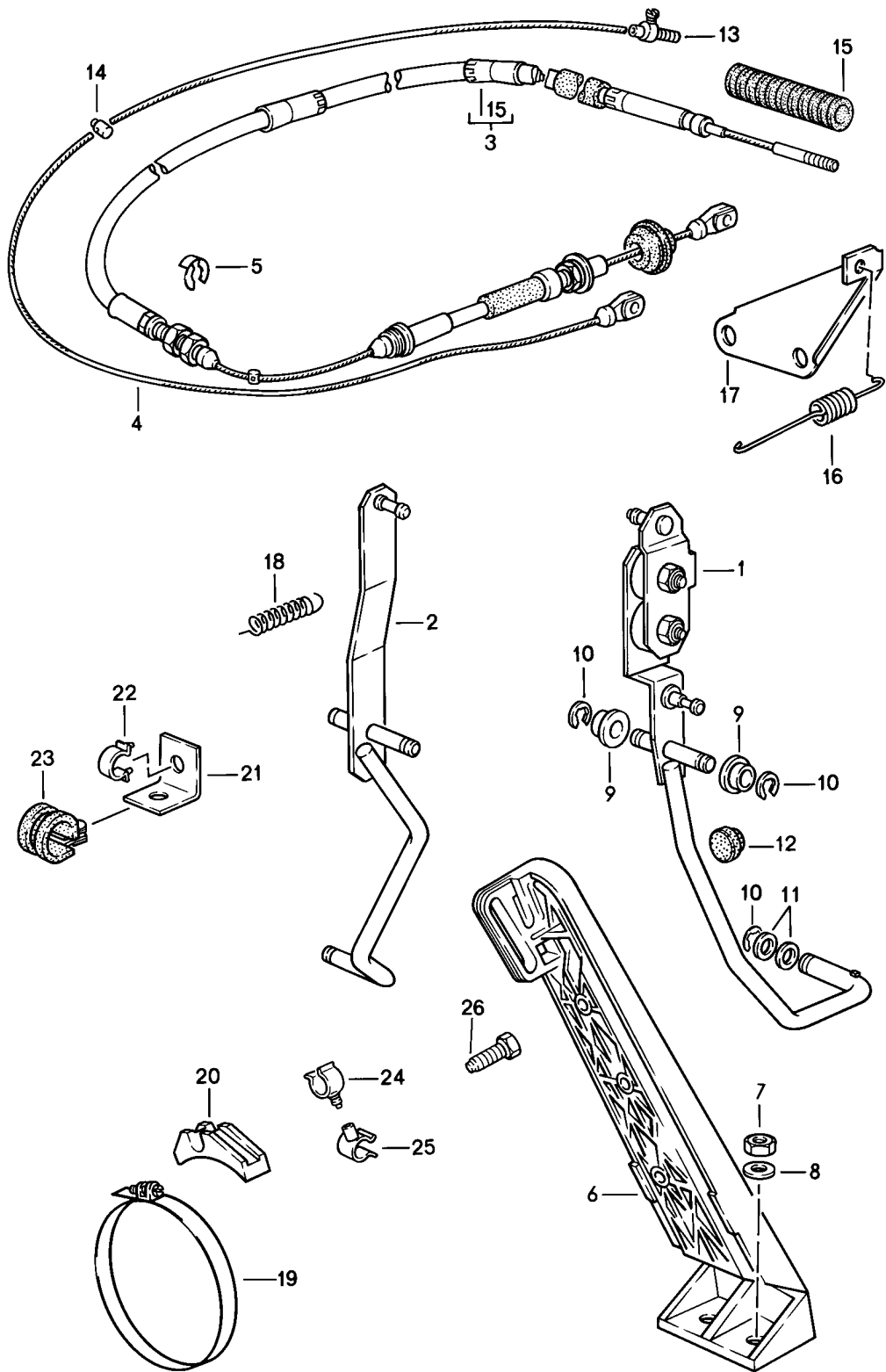
Model: 944 85

Model life 1985>>1988

Pos	Part Number	Description	Remark	Qty	Model
		Accelerator pedal			
		Accelerator cable			
		for			
		Manual transmission			
1	944 423 031 00	Accelerator pedal	/LL	1	
(1)	944 423 034 00	Accelerator control	/LL	1	M454
2	944 423 023 07	Accelerator cable	/LL	1	944
2	944 423 023 10	Accelerator cable	/LL	1	944 S
(2)	951 423 023 03	Accelerator cable	/LL	1	TURBO
3	827 723 511 A	Accelerator pedal		1	
3	827 723 511 B	Accelerator pedal		1	
3	944 423 111 01	Accelerator pedal		1	M562
4	900 076 010 02	Nut		2	
		M 6			
4	900 076 010 0B	Nut		2	
		M 6			
5	803 817 121	Washer		2	
6	900 025 038 40	Washer		2	
7	N 012 436 2	Lock washer		3	
8	N 012 323 1	Lock washer		1	
9	477 721 543	Bearing sleeve		2	
10	999 703 183 40	Buffer		1	
12	944 423 831 00	Spring		1	
13	944 423 731 00	Adjusting screw		1	

Model: 944 85

Model life 1985>>1988

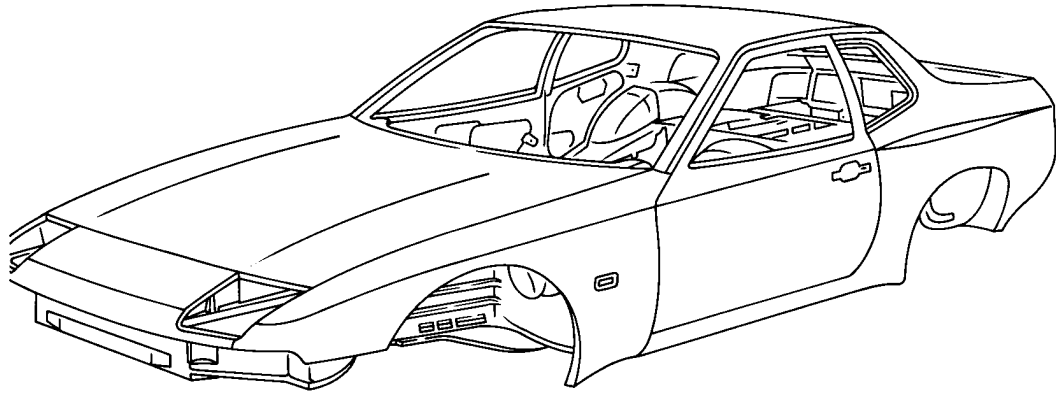


Model: 944 85 Model life 1985>>1988

Pos	Part Number	Description	Remark	Qty	Model
		Accelerator pedal			
		Accelerator cable			
		for			
		Automatic transmission			
1	944 423 033 00	Accelerator pedal	/LL	1	
3	944 423 071 07	Cable	/LL	1	
4	944 423 973 03	Cable	/LL	1	
5	N 012 323 1	Lock washer		1	
6	827 723 511 A	Accelerator pedal		1	
6	827 723 511 B	Accelerator pedal		1	
7	900 076 010 02	Nut		2	
		M 6			
7	900 076 010 0B	Nut		2	
		M 6			
8	803 817 121	Washer		2	
9	477 721 543	Bearing sleeve		2	
10	N 012 436 2	Lock washer		3	
11	900 025 038 40	Washer		2	
12	999 703 183 40	Buffer		1	
13	477 723 601	Nipple		1	
14	477 723 611	Nipple		1	
15	311 713 269 A	Bellows		1	
16	477 723 563 C	Tension spring		1	
17	944 423 141 00	Support		1	
18	944 423 833 00	Spring		1	
19	999 512 350 02	Hose clamp		1	
20	477 723 567	Support		1	
21	477 971 881 A	Retaining bracket		1	
22	477 971 851	Cable clip		1	
23	999 511 116 02	Clamp		X	
23	999 511 116 03	Clamp		X	
24	999 591 573 40	Hose holder		3	
25	999 591 572 40	Hose holder		3	
26	944 423 731 00	Adjusting screw		1	

Model: 944 85

Model life 1985>>1988



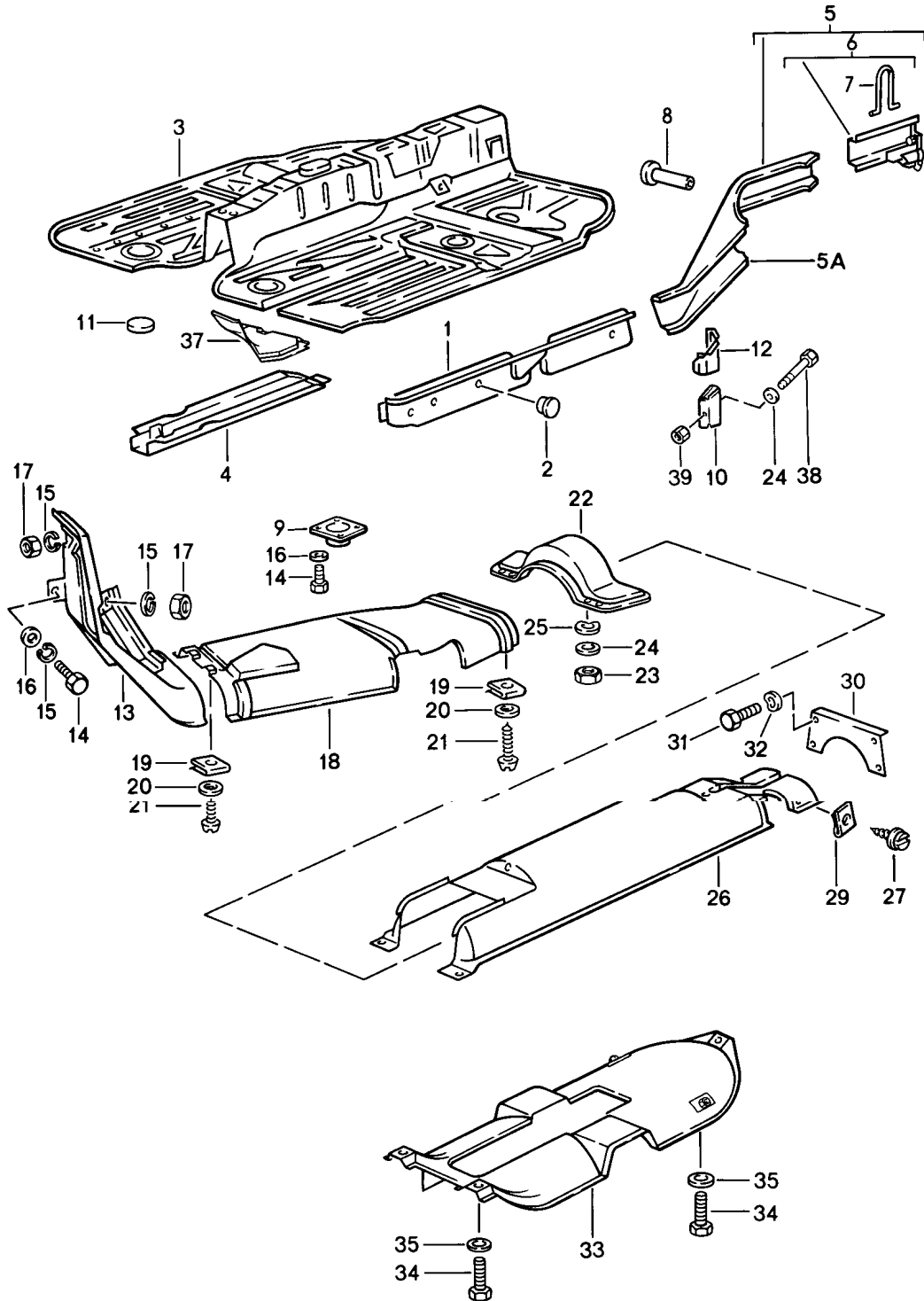
Model: 944 85

Model life 1985>>1988

Pos	Part Number	Description	Remark	Qty	Model
		Body in white Prime coated Sealed Sprayed with filler with Underbody protection BodysHELLs can only only available from current Model year available			
(1)	944 500 901 02	Body in white		1	M650
(1)	944 500 901 03	Body in white		1	
(1)	951 500 901 02	Body in white		1	TURBO
(1)	951 500 901 03	Body in white		1	TURBO M650

Model: 944 85

Model life 1985>>1988



Model: 944 85 Model life 1985>>1988

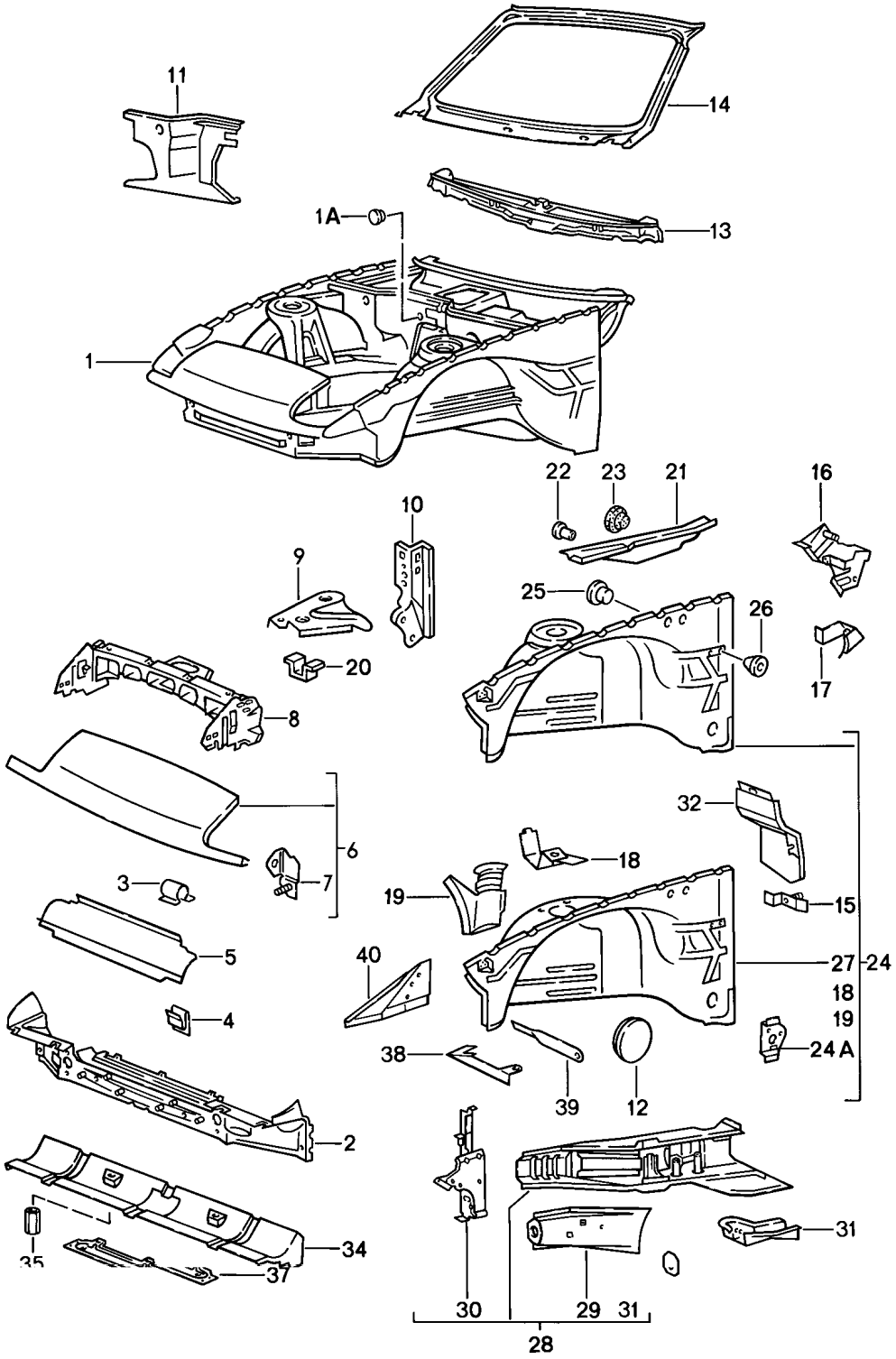
Pos	Part Number	Description	Remark	Qty	Model
1	944 501 119 01	Side member Heat shield	/L	1	
(1)	944 501 120 01	Side member Centre	/R	1	
2	999 703 119 40	Stopper		2	
(2)	803 803 583	Rubber sleeve		2	
(2)	999 703 195 40	Rubber sleeve		2	
(2)	803 803 583 A	Stopper		10	
(2)	999 703 196 40	Lid		10	
3	944 501 203 00	Floorpan Centre	-86	1	
3	944 501 501 00	Floor section Centre	87-	1	
4	477 803 283	Side member		2	
5	951 501 105 00	Side member	/L	1	
5	951 501 105 00 GRV	Use also: 477.803.145 Side member Prime coated	/L	1	
(5)	951 501 106 01	Use also: 477.803.145 Side member	/R	1	
6	477 803 125 A	End piece	/L	1	
(6)	477 803 126	End piece	/R	1	
7	477 803 129	Retaining bow		2	
8	477 803 145	Bush		2	
9	951 501 265 00	Jacking point Centre		2	
10	951 501 083 00	Jacking point	/L /H	1	
10		Jacking point Rear	/L /H	1	
		Left			
(10)	951 501 083 00 GRV	Prime coated			
(10)	951 501 084 00	Jacking point	/R /H	1	
		Jacking point Rear	/R /H	1	
		Right			
11	951 501 084 00 GRV	Prime coated			
	411 803 595	Lid 136 MM \$		2	
12	477 803 871 A	Jacking point	/L /H	1	
(12)	477 803 872 A	Jacking point	/R /H	1	
13	477 809 214 A	Separator		1	
14	999 072 005 09	Hexagon nut M 6 X 12		X	
14	999 072 005 01	Hexagon nut M 6 X 12		X	
15	N 012 006 4	Lock ring B 6		3	
16	N 011 524 7	Washer A 6,4		X	
16	N 011 524 27	Washer A 6,4		X	
17	900 076 010 02	Nut M 6		2	
17	900 076 010 0B	Nut M 6		2	
18	477 803 387 B	Heat shield		1	
19	N 015 458 1	Speed nut		4	

Model: 944 85 Model life 1985>>1988

Pos	Part Number	Description	Remark	Qty	Model
20	900 151 027 02	B 4,8 X 20 Washer		4	
20	900 151 027 03	B 5,3 Washer		4	
21	N 013 968 7	B 5,3 Tapping screw		4	
21	900 143 097 01	B 4,8 X 13 Tapping screw		4	
22	477 803 253	B 4,8 X 13 Transverse strut		1	
23	N 011 008 8	Hexagon nut M 8		4	
24	N 011 525 13	Washer A 8,4		4	
25	900 027 015 02	Lock ring B 8		4	
25	900 027 015 03	Lock ring B 8		4	
26	951 504 869 00	Cover plate Upper		1	
26		Cover plate		1	
27	N 090 239 1	Combination screw B 4,8 X 13		2	
29	999 591 485 02	Speed nut B 4,8 X 13		2	
30	477 803 291	Transverse strut		2	
31	N 010 237 6	Hexagon-head bolt M 8 X 12		8	
31	N 010 237 14	Hexagon-head bolt M 8 X 12		8	
32	N 012 229 3	Spring washer A 8		8	
33	951 503 139 00	Heat shield	-86	1	
(33)		Heat shield	87-	1	M249
(33)	944 503 137 00	Heat shield	87-	1	
34	999 072 005 09	Hexagon nut M 6 X 12		4	
34	999 072 005 01	Hexagon nut M 6 X 12		4	
35	900 151 029 02	Washer 6,4		4	
37	951 501 181 00	Gusset plate	/L	1	
(37)	951 501 182 00	Gusset plate	/R	1	
38	N 010 375 4	Hexagon-head bolt M 8 X 75		2	
39	900 910 003 02	Lock nut M 8		2	
39	900 910 003 04	Lock nut VM 8		2	

Model: 944 85

Model life 1985>>1988



Model: 944 85 Model life 1985>>1988

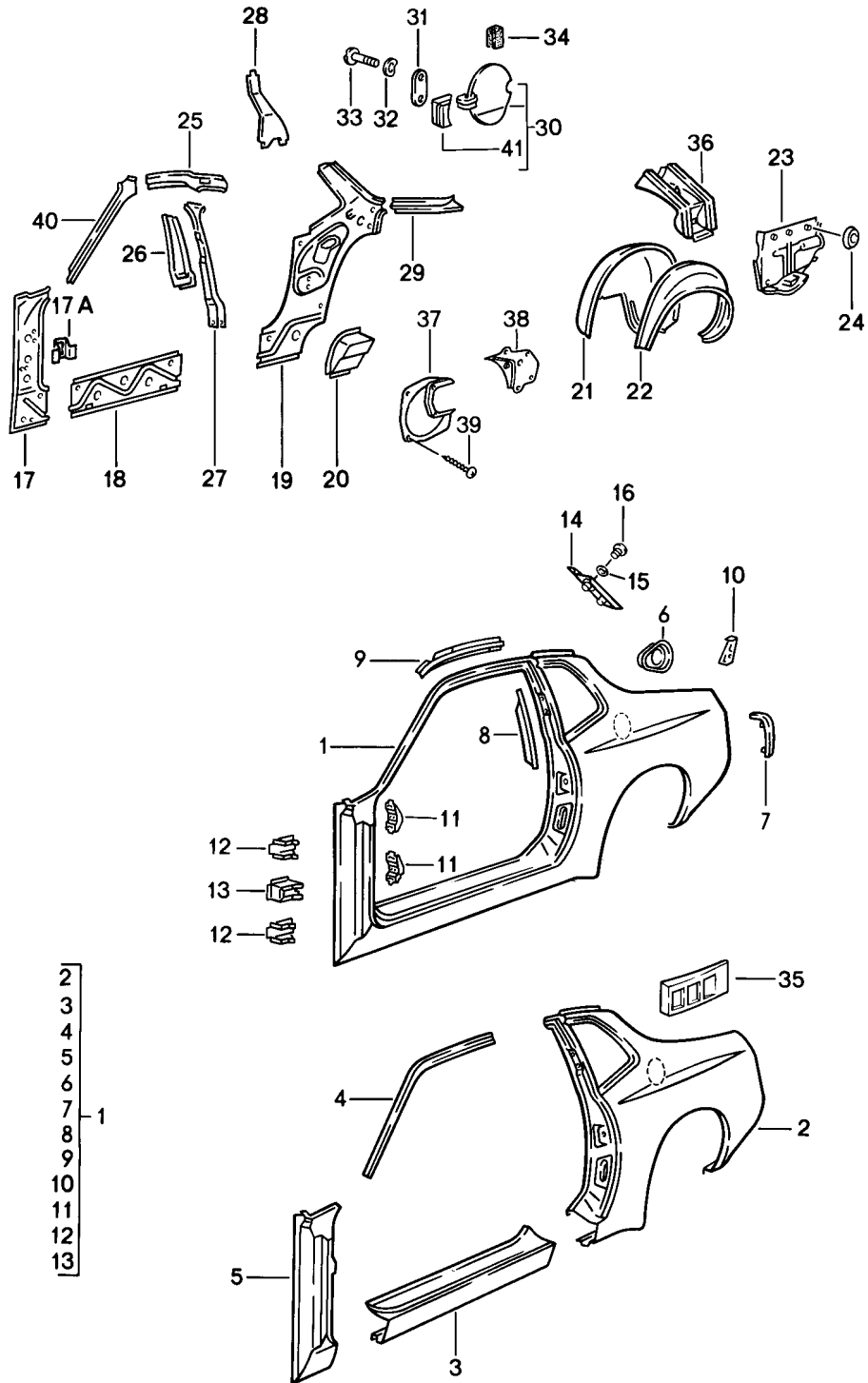
Pos	Part Number	Description	Remark	Qty	Model
1	951 501 011 01	Body front section	/LL -86	1	
1	951 501 011 03	Body front section	/LL	1	
(2)	951 502 051 00	Filler plate with		1	
		Cross member	/V	1	
3	999 591 852 02	Clamp		5	
4	477 819 212	Clip		4	
5	944 575 321 00	Air guide		1	944,944S
(5)	944 575 131 00	Air guide		1	944S
(5)	951 504 321 01	Air guide		1	TURBO
6	944 503 033 02	End plate		1	944,944 S
(6)	951 503 033 00	End plate		1	TURBO
(7)	951 503 069 00	Bracket	/L	1	
(7)	951 503 070 00	Bracket	/R	1	
8	951 501 025 03	Lock carrier		1	
	951 501 025 03 GRV	Prime coated			
9	477 805 699 A	Corner plate	/L	1	
10	477 805 057 A	Reinforcement	/L	1	
(10)	477 805 058 A	Reinforcement	/R	1	
11	951 502 201 00	Cross panel	/L	1	
11		Firewall	/L	1	
	951 502 201 00 GRV	Prime coated			
11	951 502 202 00	Cross panel	/R -86	1	
11	951 502 202 01	Cross panel	/R 87-	1	
12	944 504 217 00	Lid		1	944S
13	944 502 079 03	Cross member		1	
14	944 502 911 01	Windscreen frame	-87	1	
14		Windscreen frame	87	1	M462/562
14		Windscreen frame		1	
		Only together with Windscreen From MOD. 1988			
18	944 501 094 00	Support		1	
		Ignition coil			
(18)	944 501 094 01	Support	88	1	M758
		Ignition coil			
19	944 501 292 00	Support		1	
		Expansion tank			
20	477 805 693	Support		1	
		Horn			
21	944 502 119 01	Side member	/LL /L	1	
		Upper			
(21)	944 502 120 01	Side member	/LL /R	1	
		Upper			
21	944 502 120 03	Side member	/LL /R	1	
		Upper			
22	311 881 945 A	Stopper	/R	2	
23	803 803 583 A	Stopper		6	
23	999 703 196 40	Lid		6	
24	944 501 901 04	Wheel housing	/L -86	1	
(24)		Wheel housing	/L 87-	1	
(24)	944 501 902 04	Wheel housing	/LL /R	1	
24A	944 502 071 00	Mounting		1	
25	999 703 103 40	Stopper	/L	2	
26	999 703 179 40	Stopper		X	
27	944 501 101 02	Wheel housing	/L	1	
(27)	944 501 102 02	Wheel housing	/R	1	
28	951 501 017 00	Side member	/L	1	
(28)	951 501 018 00	Side member	/R	1	
29	944 501 081 00	Filler plate	/L	1	

Model: 944 85 Model life 1985>>1988

Pos	Part Number	Description	Remark	Qty	Model
(29)	944 501 082 00	Filler plate	/R	1	
30	951 501 045 00	Separator	/L	1	
(30)	951 501 046 00	Separator	/R	1	
31	951 501 165 00	Closing element	/L	1	
(31)	951 501 166 00	Closing element	/R	1	
32	944 504 112 00	Water protection	87-	1	M593
34	944 575 121 02	Cooling air duct		1	944,944S
35	999 049 001 40	Plastic nut		8	
37	951 501 251 00	Cross member		1	944,944S
(37)		Cross member		1	TURBO
38	944 503 525 02	Bracket	/L	1	
(38)	944 503 526 00	Bracket	/R	1	
39	944 503 523 00	Bracket	/L	1	
(39)	944 503 524 00	Bracket	/R	1	
40	944 501 461 00	Supporting plate	/L	1	M758
(40)	951 501 862 00	Supporting plate	/R	1	M758

Model: 944 85

Model life 1985>>1988



Model: 944 85 Model life 1985>>1988

Pos	Part Number	Description	Remark	Qty	Model
(1)	944 503 061 09	Side section Side section It is necessary to rework	/L	1	M758
(1)	944 503 062 05	Side section Side section It is necessary to rework	/R	1	M758
(2)	944 503 903 03	Side section Outer It is necessary to rework	/L	1	M758
(2)	944 503 904 03	Side section Outer It is necessary to rework	/R	1	M758
3	944 503 611 00	Door sill	/L	1	
3	944 503 611 02	Door sill	/L	1	
(3)	944 503 612 00	Door sill	/R	1	
(3)	944 503 612 02	Door sill	/R	1	
4	944 503 517 00	Roof frame	/L	1	
(4)	944 503 518 00	Roof frame	/R	1	
5	944 503 401 01	Hinge pillar	/L	1	
(5)	944 503 402 01	Hinge pillar	/R	1	
(5)	944 503 606 01	Hinge pillar	/R	1	
6	944 503 068 00	Pot Tank filler neck		1	
7	477 809 375 A	Support	/L	1	
(7)	477 809 376 A	Bracket for light	/R	1	
8	477 809 445	Reinforcement	/L	1	
(8)	477 809 446	Reinforcement	/R	1	
9	477 809 585	End piece	/L	1	
(9)	477 809 586	End piece	/R	1	
10	477 809 617	Retaining bracket Lid Boot floor lining	/L	1	
(10)	477 809 618	Retaining bracket	/R	1	
11	477 809 653	Bearing bracket		4	
12	477 809 655	Hinge reinforcement		4	
13	477 809 625	Reinforcement		2	
14	944 503 097 00	Reinforcement	/L	1	
(14)	944 503 098 00	Reinforcement	/R	1	
15	928 504 355 02	Gasket		4	
16	999 015 005 07	Half-round screw		4	
17	477 809 393 A	Hinge pillar Use also: Left-hand drive POS. 17A	/L	1	
(17)	477 809 394 A	Hinge pillar	/R	1	
17A	944 502 373 00	Mounting Switch Rear lid release		1	
18	477 809 433	Separator		2	
18	477 809 433 00	Separator		2	
19	944 502 901 02	Side section F >>94GN4 52782 F >>95GN1 51433	/L	1	944 TURBO
19	944 502 901 04	Side section Order also: POS. 37 POS. 39 for M490: POS. 38 POS. 39 F 94GN4 52783>> F 95GN1 51434>>	/L	1	944 TURBO
(19)	944 502 902 02	Side section	/R	1	

Model: 944 85 Model life 1985>>1988

Pos	Part Number	Description	Remark	Qty	Model
(19)	944 502 902 04	F >>94GN4 52782 F >>95GN1 51433 Side section with Expansion tank Order also: POS. 37 POS. 39 for M490: POS. 38 POS. 39 F 94GN4 52783>> F 95GN1 51434>>	/R	1	944 TURBO
20	931 502 387 01	Corner plate	/L	1	
(20)	931 502 388 01	Corner plate	/R	1	
21	944 501 043 00	Wheel housing	/L	1	
(21)	944 501 044 01	Wheel-housing liner	/R	1	
22	931 502 411 01	Wheel housing	/L	1	
(22)	931 502 412 01	It is necessary to rework Wheel housing It is necessary to rework	/R	1	M758 M758
23	944 502 025 00	Filler plate	/L /H	1	
23	944 502 025 02	Side section Inner Left	/L /H	1	
	944 502 025 02 GRV	Prime coated			
(23)	944 502 026 00	Filler plate	/R	1	
24	803 803 583	Rubber sleeve		X	
24	999 703 195 40	Rubber sleeve		X	
(24)	021 119 569	Rubber sleeve		X	M650
25	477 809 037	Separator	/L	1	
(25)		Separator	/L	1	M650
(25)	477 809 038	Separator	/R	1	
(25)		Separator	/R	1	
26	477 809 397	Centre pillar	/L	1	
(26)	477 809 398	Centre pillar	/R	1	
27	944 502 049 00	Reinforcement	/L	1	
(27)	944 502 050 00	Reinforcement	/R -86	1	
(27)		Reinforcement	/R 87-	1	
28	477 809 427	Closing element	/L	1	
(28)	477 809 428	Closing element	/R	1	
29	944 502 439 00	Reinforcement	/L	1	
29		Reinforcement	/L	1	
(29)	477 809 440	Reinforcement	/R	1	
30	944 504 095 00	Fuel filler flap		1	
31	944 504 403 00	Desk pad		X	
32	N 012 222 4	Spring washer A 5		2	
33	900 146 106 07	Oval-head screw M 5 X 12		2	
34	944 504 397 00	Stop		1	
(35)	944 555 275 01	Filler piece	/L	1	
(35)	944 555 276 00	Filler piece	/R	1	
36	951 201 049 00	Cover Lower part Filler neck		1	
37	944 504 621 00	Adapter for Loudspeaker	/L	1	
(37)	944 504 622 00	Adapter for Loudspeaker	/R	1	

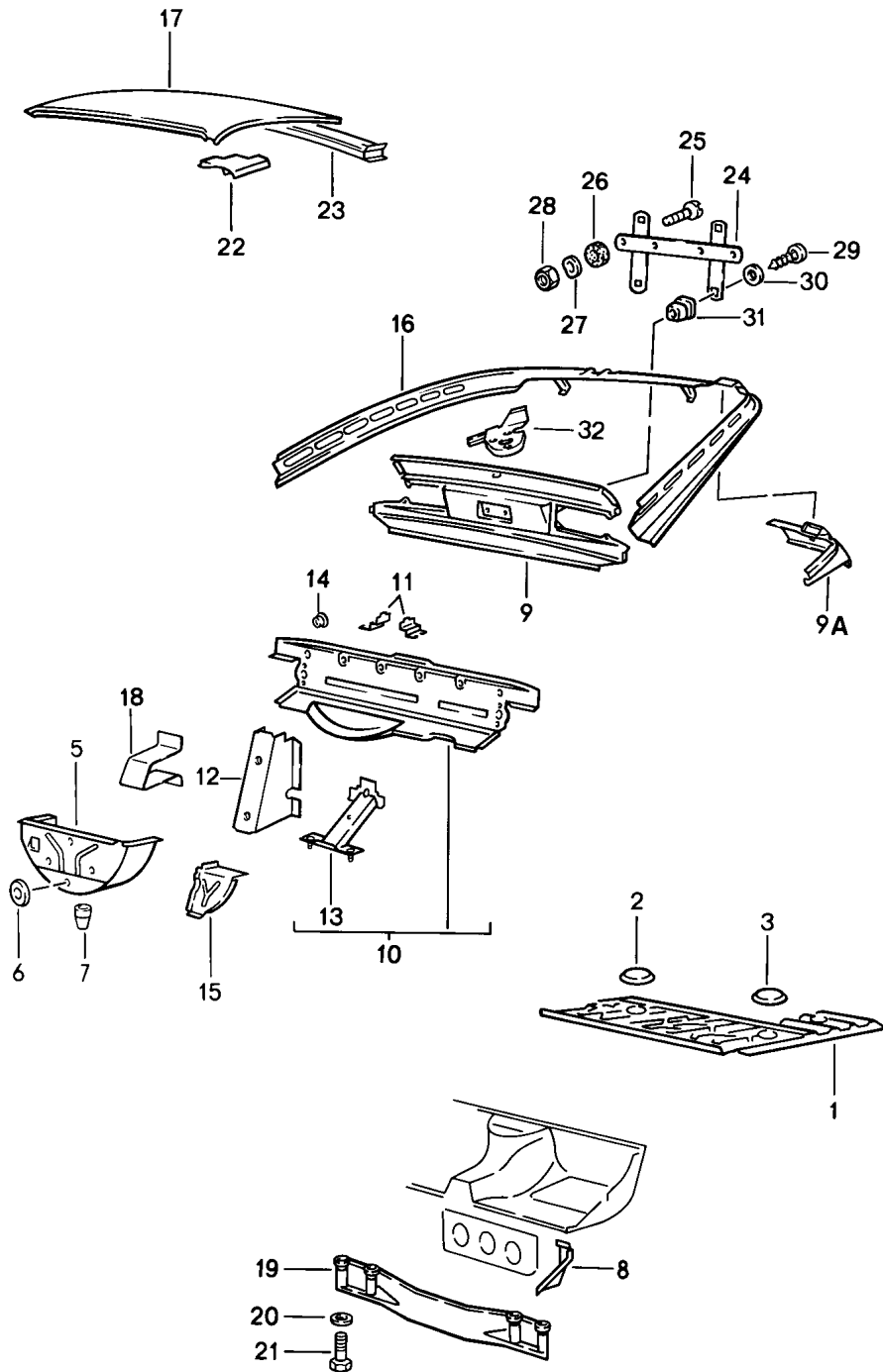
Model: 944 85

Model life 1985>>1988

Pos	Part Number	Description	Remark	Qty	Model
38	944 504 611 01	Adapter for Loudspeaker	/L	1	M490
(38)	944 504 612 01	Adapter for Loudspeaker	/R	1	M490
39	N 090 114 1	Tapping screw B 3,9 X 9,5		8	
40	944 502 041 00	Side section Inner	/L	1	
(40)	944 502 042 00	Side section Inner	/R	1	

Model: 944 85

Model life 1985>>1988



Model: 944 85 Model life 1985>>1988

Pos	Part Number	Description	Remark	Qty	Model
		Transmission carrier			
		Boot floor plate			
		Roof			
1	951 501 075 00	Boot floor plate		1	
2	944 504 207 00	Lid		1	
		Tank gauge			
3	411 803 595	Lid		1	
		136 MM \$			
5	951 501 131 00	Spare-wheel well	/V	1	
6	803 803 583	Rubber sleeve		3	
6	999 703 195 40	Rubber sleeve		3	
7	111 701 309	Water drain sleeve		1	
8	477 813 145 B	Corner plate	/L	1	
(8)	477 813 146 B	Corner plate	/R	1	
9	944 503 037 01	End plate		1	
9A	944 502 345 01	Reinforcement	/L	1	
(9A)	944 502 346 01	Reinforcement	/R	1	
10	944 503 901 01	End plate		1	
		Use also:			
		999.703.173.40		1	
11	477 813 169	Fastening angle	/L	1	
		Scissors type jack			
(11)	477 813 170	Fastening angle	/R	1	
		Scissors type jack			
12	944 503 165 01	Support		1	
13	944 502 091 00	Support		1	
		Rear muffler			
14	999 703 179 40	Stopper		1	
14		Stopper	/H	1	
15	477 813 309	Corner panel	/L	1	
(15)	944 502 210 00	Corner panel	/R	1	
16	944 502 035 02	Lock carrier	/H	1	
17	944 503 912 02	Roof		1	
17		Roof		1	
(17)	944 503 912 00	Roof		1	M650 944 TURBO
		F >>94GN4 57874			
		F >>95GN1 54211			
17	944 503 912 03	Roof		1	M650 944 TURBO
		F 94GN4 57875>>			
		F 95GN1 54212>>			
18	944 503 171 00	Support for spare wheel		2	
19	477 813 285	Transverse strut		1	
		Seat well			
20	900 074 181 02	Screw		4	
		M 10 X 95			
21	900 025 008 09	Washer		4	
		10,5			
21	900 025 008 04	Washer		4	
		10,5			
22	477 817 033	Reinforcement plate	/V /L	1	
(22)	477 817 034	Reinforcement	/V /R	1	
23	477 817 171 A	Roof frame		1	
24	928 701 050 03	Support	(CH) (J) (USA)	1	
25	N 014 143 1	Oval-head screw		2	
		AM 6 X 22			
(25)	N 100 457 01	Countersunk-head screw	(CH) (J) (USA)	2	
		M 5 X 25			
26	803 011 243	Rubber washer		2	
		for			
		Number plate			
(27)	900 151 027 02	Washer	(CH) (J) (USA)	2	

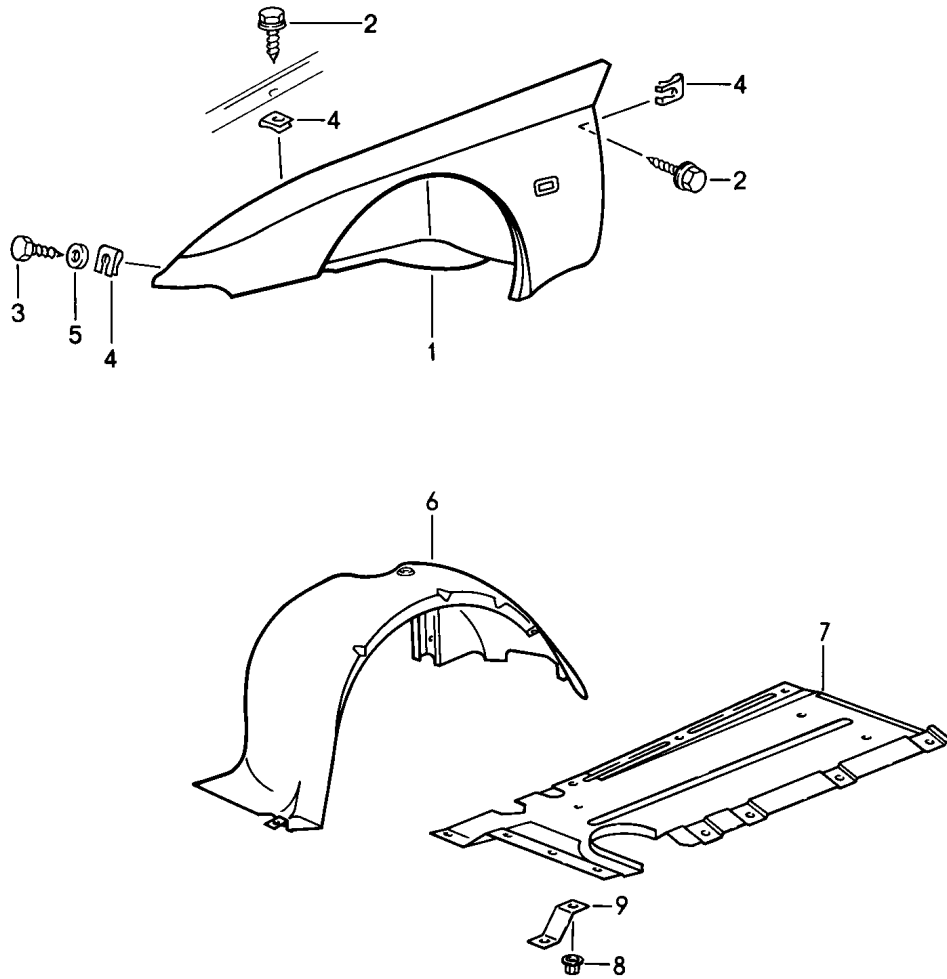
Model: 944 85

Model life 1985>>1988

Pos	Part Number	Description	Remark	Qty	Model
(27)	900 151 027 03	A 5,3 Washer	(CH) (J) (USA)	2	
28	900 910 009 02	A 5,3 Lock nut	(CH) (J) (USA)	2	
28	900 084 026 01	M 5 Lock nut	(CH) (J) (USA)	2	
29	900 143 134 00	M 5 Tapping screw	(CH) (J) (USA)	4	
30	N 011 522 8	BZ 4,2 X 9,5 Washer	(CH) (J) (USA)	4	
31	999 591 498 40	4,3 Special nut	(CH) (J) (USA)	4	
32	944 501 207 01	Retaining bracket Electric motor		1	

Model: 944 85

Model life 1985>>1988



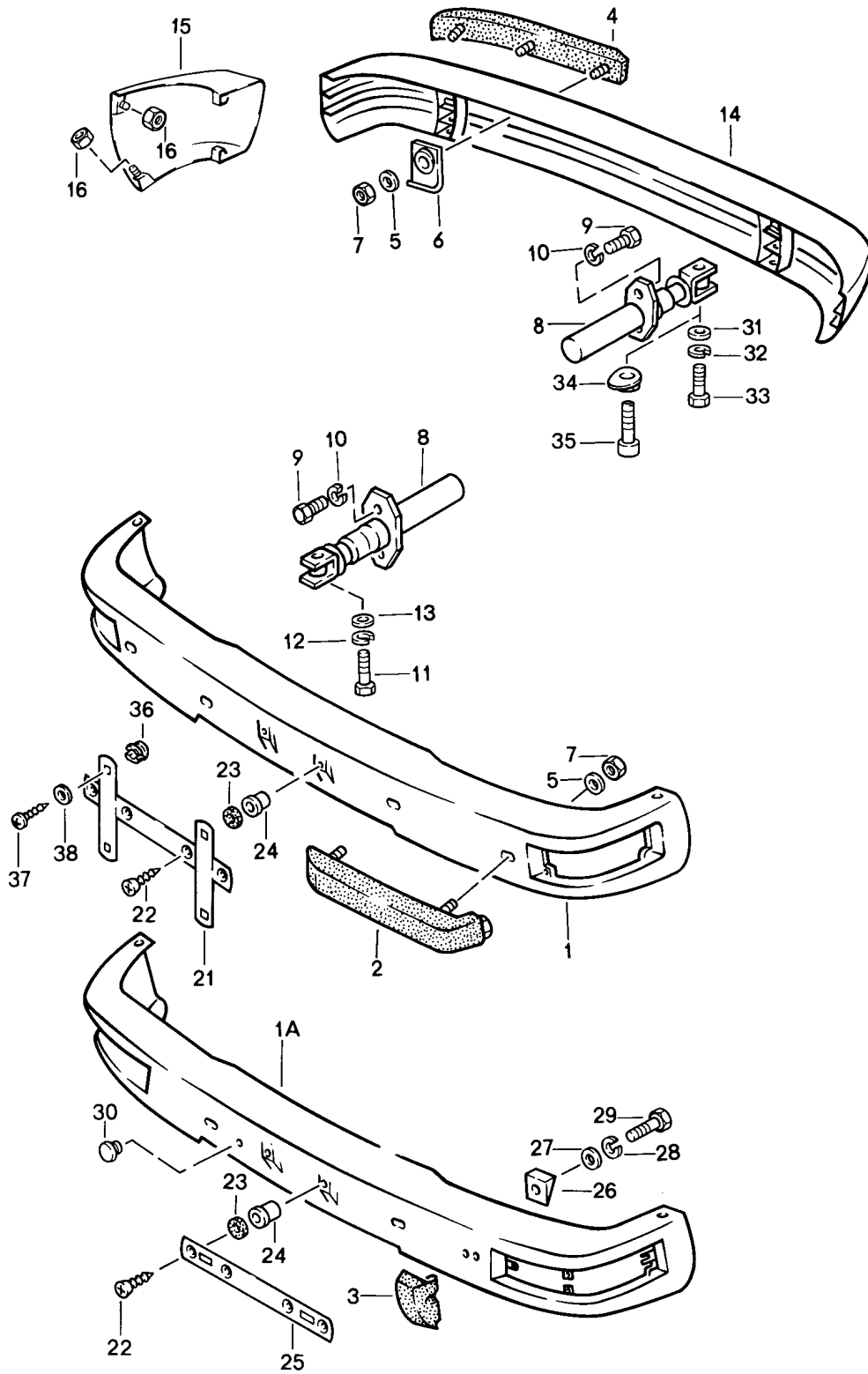
Model: 944 85

Model life 1985>>1988

Pos	Part Number	Description	Remark	Qty	Model
(1)	931 503 021 03	Wing	/L	1	944,944S
(1)	931 503 022 03	Wing	/R	1	944,944S
(1)	951 503 021 03	Wing	/L	1	TURBO
(1)	951 503 022 03	Wing	/R	1	TURBO
2	N 090 172 1	Combination screw		22	
3	N 013 891 1	Hexagon-head tapping screw 6,3 X 19		24	
4	999 507 003 02	Speed nut B 6,3 X 17		24	
4	999 507 003 01	Speed nut B 6,3 X 17		24	
5	N 011 524 7	Washer A 6,4		2	
5	N 011 524 27	Washer A 6,4		2	
6	944 504 381 03	Wheel-housing liner	/L	1	944,944S
(6)	944 504 382 03	Wheel-housing liner	/R	1	944,944S
(6)	944 504 381 02	Wheel-housing liner	/L	1	TURBO
(6)	944 504 382 02	Wheel-housing liner	/R	1	TURBO
7	944 504 311 00	Lining	/L	1	TURBO
(7)	944 504 312 00	Lining	/R	1	TURBO
8	999 049 008 40	Plastic nut		12	
9	944 504 281 00	Retaining bracket		4	
9	944 504 281 01	Support		4	
10	N 013 891 1	Hexagon-head tapping screw B 6,3 X 19		X	
11	N 011 666 7	Washer B 6,4		X	
12	999 507 034 02	Speed nut B 6,3		X	
13	N 012 062 2	Speed nut B 6,3		X	
14	944 504 907 00	Lid	/L	1	
(14)	944 504 908 00	Lid	/R	1	
15	999 591 485 02	Speed nut B 4,8		4	
16	900 143 159 07	Combination screw B 4,8 X 19		4	
17	999 190 361 40	Blind rivet A 5,0 X 12		2	

Model: 944 85

Model life 1985>>1988



Model: 944 85 Model life 1985>>1988

Pos	Part Number	Description	Remark	Qty	Model
		Bumper with Impact absorber			
1	931 505 109 04	Bumper	/V	1	M036
(1)	931 505 109 07	Bumper	/V	1	M036/288
1A	931 505 109 05	Bumper	/V	1	M058
(1A)	931 505 109 06	Bumper	/V	1	M058/288
2	477 807 155 A	Rubber moulding	/L	1	M036
2	477 807 155 C	Rubber moulding	/L	1	M036
(2)	477 807 156 A	Rubber moulding	/R	1	M036
(2)	477 807 156 C	Rubber moulding	/R	1	M036
3	477 807 353	Bumper horn	/L	1	M058
(3)	477 807 354	Bumper horn	/R	1	M058
(4)	944 505 061 00	Rubber moulding	/L	1	
(4)	944 505 061 01	Rubber moulding	/L	1	
4	944 505 062 00	Rubber moulding	/R	1	
4	944 505 062 01	Rubber moulding	/R	1	
5	N 011 612 3	Washer R 7		6	M058
5	N 011 612 C	Washer R 7		6	M058
5	N 011 612 3	Washer R 7		10	M036
5	N 011 612 C	Washer R 7		10	M036
6	477 807 197	Support	/H	6	
7	113 101 175	Hexagon nut		6	M058
7		Hexagon nut		10	M036
8	944 505 017 03	Impact absorber		4	
9	N 010 240 16	Hexagon-head bolt M 8 X 20		8	
10	900 027 015 02	Lock ring A 8		8	
10	900 027 015 03	Lock ring A 8		8	
11	N 010 165 2	Hexagon-head bolt M 12 X 65	/V	2	
12	N 012 042 4	Lock ring B 12	/V	2	
13	N 011 531 7	Washer A 13	/V	2	
14	944 505 301 00	Bumper	/H		
(15)	931 505 059 00	Cover Prime coated	/L	1	
15	931 505 060 00	Cover Prime coated	/R	1	
16	900 910 007 02	Lock nut M 5		4	
21	928 701 050 03	Support		1	M036
22	N 043 983 1	Tapping screw B 5,5 X 32		2	
23	944 505 351 00	Spacer rubber		2	
24	N 902 508 01	Special nut		2	
25	911 701 121 03	Support		1	M058
26	477 807 361	Plate	/L	1	M058
(26)	477 807 362	Plate	/R	1	M058
27	N 011 652 1	Washer 7		2	M058
28	N 012 006 4	Lock ring B 6		2	M058
29	N 010 339 3	Hexagon-head bolt M 6 X 40		2	M058
30	999 703 181 40	Stopper		1	M058

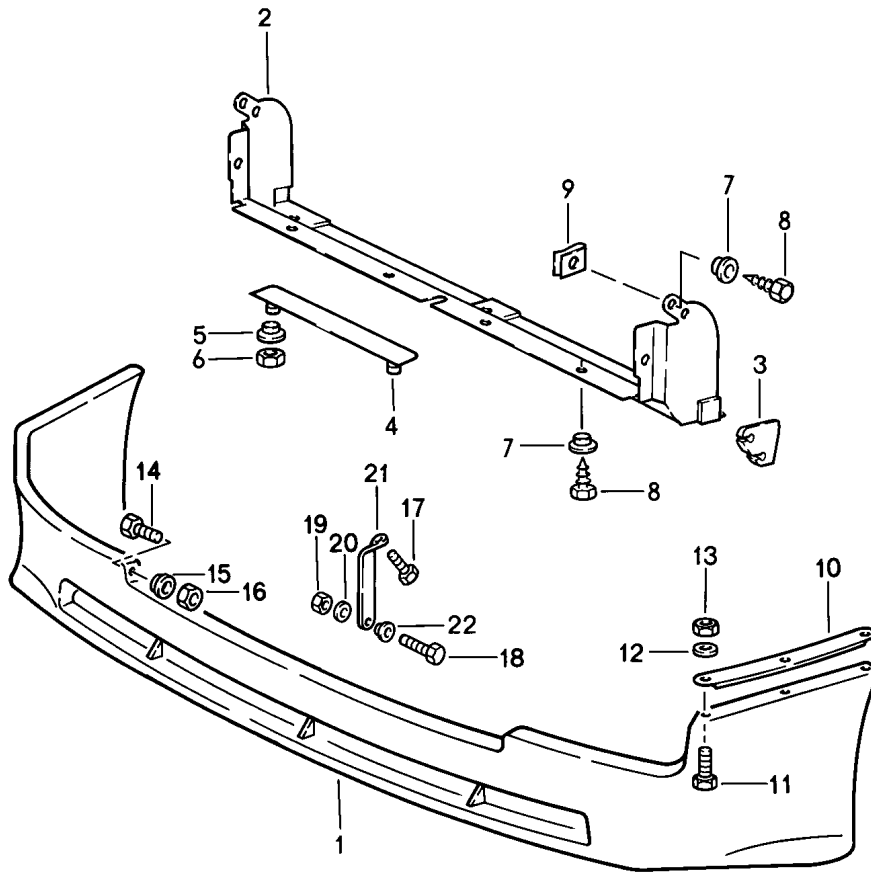
Model: 944 85

Model life 1985>>1988

Pos	Part Number	Description	Remark	Qty	Model
		Towing lug See group 0/01/00		1	M058
32	N 012 042 4	Lock ring B 12	/H	2	
34	944 505 243 00	Eccentric washer	/H	2	
35	N 100 436 02	Pan-head screw M 12 X 1,5 X 65	/H	2	
35	900 067 428 01	Pan-head screw M 12 X 1,5 X 65	/H	2	
36	999 591 498 40	Special nut		X	
37	900 143 134 00	Tapping screw BZ 4,2 X 9,5		X	
38	N 011 522 8	Washer 4,3			

Model: 944 85

Model life 1985>>1988

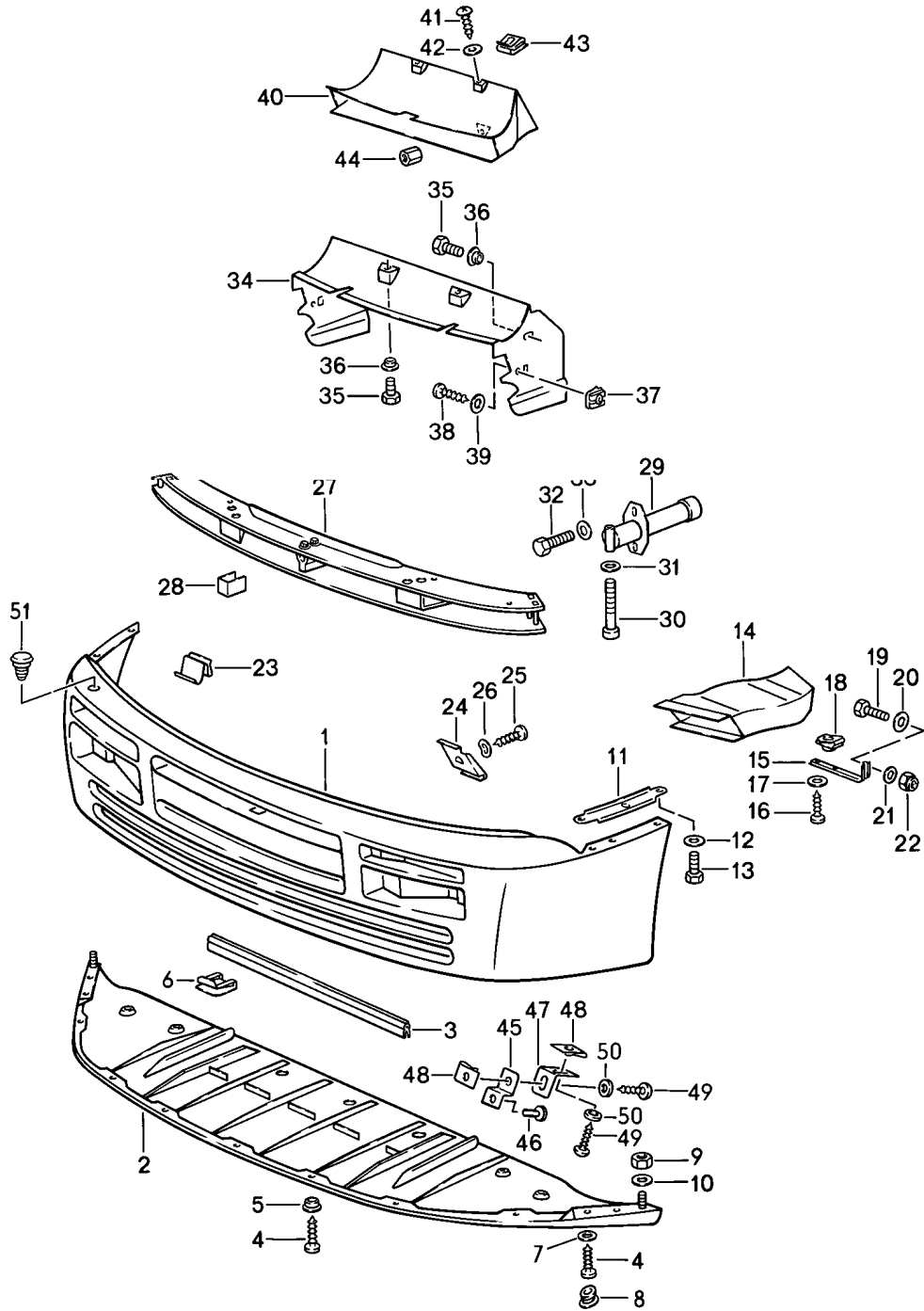


Model: 944 85 Model life 1985>>1988

Pos	Part Number	Description	Remark	Qty	Model
		Front spoiler			944,944S
(1)	931 505 371 04	Front spoiler		1	
2	944 575 221 00	Air guide	(CDN)	1	
(2)	944 575 221 01	Air guide		1	M573
3	951 575 137 01	Grommet		1	M573
4	944 505 055 00	Attachment strip		2	
5	928 503 255 00	Spacer		4	
5		Spacer		4	
	928 503 255 00 GRV	Prime coated			
6	900 910 010 09	Lock nut		4	
		M 6			
7	937 503 255 01	Spacer		5	
8	N 010 215 13	Hexagon-head bolt		5	
		M 6 X 15			
9	999 507 246 02	Speed nut		2	
		M 6			
9	999 507 246 01	Speed nut		2	
		M 6			
10	944 503 513 00	Attachment strip		2	
11	N 010 215 13	Hexagon-head bolt		6	
		M6 X 15			
12	N 011 524 7	Washer		6	
		A 6,4			
12	N 011 524 27	Washer		6	
		A 6,4			
13	900 910 010 09	Lock nut		6	
		M 6			
14	N 010 215 13	Hexagon-head bolt		2	
		M6 X 15			
15	937 503 255 00	Spacer		2	
16	900 910 010 09	Lock nut		2	
		M 6			
17	999 072 005 09	Hexagon nut		2	
		M 6 X 12			
17	999 072 005 01	Hexagon nut		2	
		M 6 X 12			
18	N 010 215 13	Hexagon-head bolt		1	
		M 6 X 15			
19	900 910 010 09	Lock nut		1	
		M 6			
20	N 011 524 7	Washer		1	
		A 6,4			
20	N 011 524 27	Washer		1	
		A 6,4			
21	944 505 179 00	Retaining bracket		1	
22	944 503 255 00	Spacer		1	

Model: 944 85

Model life 1985>>1988



Model: 944 85 Model life 1985>>1988

Pos	Part Number	Description	Remark	Qty	Model
		Front apron			TURBO
		And			
1	951 505 071 01	Bumper		1	
		Lining			
2	951 505 075 02	Upper part		1	
		Front apron			
		Lower part			
3	944 505 523 00	Piping		1	
4	N 013 967 9	Tapping screw		9	
		B 4,2			
5	951 505 157 00	Spacer		7	
6	999 591 742 02	Speed nut		9	
6	999 591 742 01	Speed nut		9	
7	900 151 028 02	Washer		2	
		B 4,3			
7	900 151 028 01	Washer		2	
		B 4,3			
8	951 505 347 00	Stopper		2	
9	900 910 010 09	Lock nut		2	
		M 6			
10	N 011 666 7	Washer		2	
		B 6,4			
11	951 505 513 00	Attachment strip	/L	1	
(11)	951 505 514 00	Attachment strip	/R	1	
12	N 011 666 7	Washer		6	
		B 6,4			
13	N 010 215 13	Hexagon-head bolt		6	
		M 6 X 15			
14	951 575 361 00	Air guide	/L	1	
(14)	951 575 362 00	Air guide	/R	1	
15	951 575 371 00	Fastening angle		2	
16	N 013 884 4	Hexagon-head tapping screw		4	
		BZ 4,8 X 13			
17	N 011 665 3	Washer		4	
		B 5,3			
17	N 011 665 16	Washer		4	
		B 5,3			
18	N 015 458 1	Speed nut		4	
		4,8 X 19			
19	N 010 215 13	Hexagon-head bolt		4	
		M 6 X 15			
20	N 011 666 7	Washer		4	
		B 6,4			
21	N 011 524 7	Washer		4	
		A 6,4			
21	N 011 524 27	Washer		4	
		A 6,4			
22	900 910 010 09	Lock nut		4	
		M 6			
23	951 505 373 00	Spring		4	
24	951 505 354 00	Cap		1	
25	900 143 072 02	Oval-head sheetmetal screw		1	
		B 3,9 X 19			
26	N 011 663 1	Washer		1	
		B 3,7			
27	951 505 010 00	Bumper	(CDN)	1	
27	951 505 010 01	Bumper		1	
28	951 505 349 00	Cap		1	
(29)	951 505 015 00	Impact absorber		2	M036/058
30	N 100 897 01	Pan-head screw		2	
		M 8 X 70			
30	N 100 897 02	Pan-head screw		2	
		M 8 X 70			

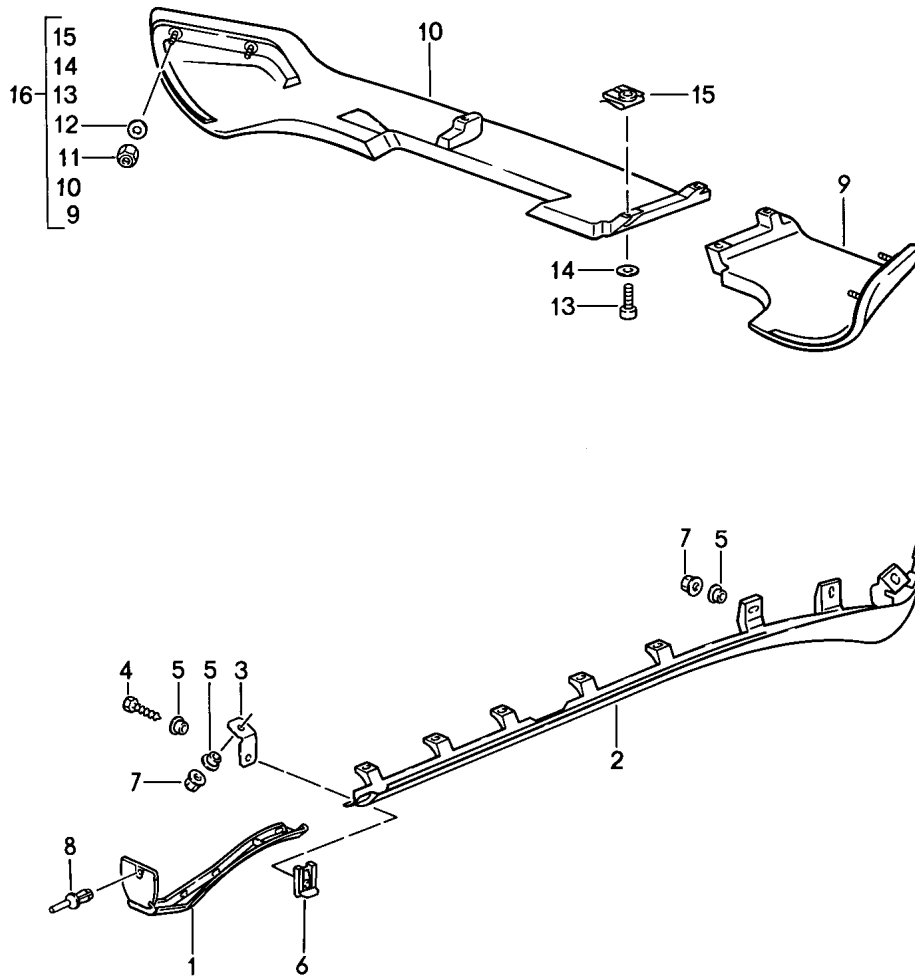
Model: 944 85

Model life 1985>>1988

Pos	Part Number	Description	Remark	Qty	Model
31	900 031 001 02	Washer 8,4		2	
31	900 031 105 01	Washer 8,4		2	
32	N 010 242 12	Hexagon-head bolt M 8 X 25		2	
33	N 011 525 13	Washer A 8		2	
(34)	951 575 133 01	Air guide		1	M573
35	999 217 013 00	Hexagon-head bolt M 6		4	
36	937 503 255 01	Spacer		4	
37	N 015 458 1	Speed nut 4,8 X 19		2	
38	N 013 884 4	Hexagon-head tapping screw 4,8 X 13		2	
39	N 011 665 3	Washer B 5,3		2	
39	N 011 665 16	Washer B 5,3		2	
40	951 575 131 00	Air guide		1	
41	900 143 007 02	Oval-head sheetmetal screw B 4,2 X 13		2	
41	900 073 507 01	Oval-head sheetmetal screw B 4,2 X 13		2	
42	900 025 002 02	Washer A 4,3		2	
42	900 025 002 03	Washer A 4,3		2	
43	N 015 447 1	Speed nut 4,2 X 10,3		2	
44	999 049 001 40	Plastic nut		2	
45	951 505 381 00	Fastening angle		3	
46	999 190 151 30	Tubular rivet 4 X 11,05		3	
47	951 505 355 00	Bracket		3	
48	N 015 470 2	Speed nut		6	
48	N 015 470 C	Speed nut		6	
49	N 013 968 7	Tapping screw		6	
49	900 143 097 01	Tapping screw		6	
50	N 011 665 3	Washer		6	
50	N 011 665 16	Washer		6	
51	951 628 301 00	Cover	87-	2	

Model: 944 85

Model life 1985>>1988

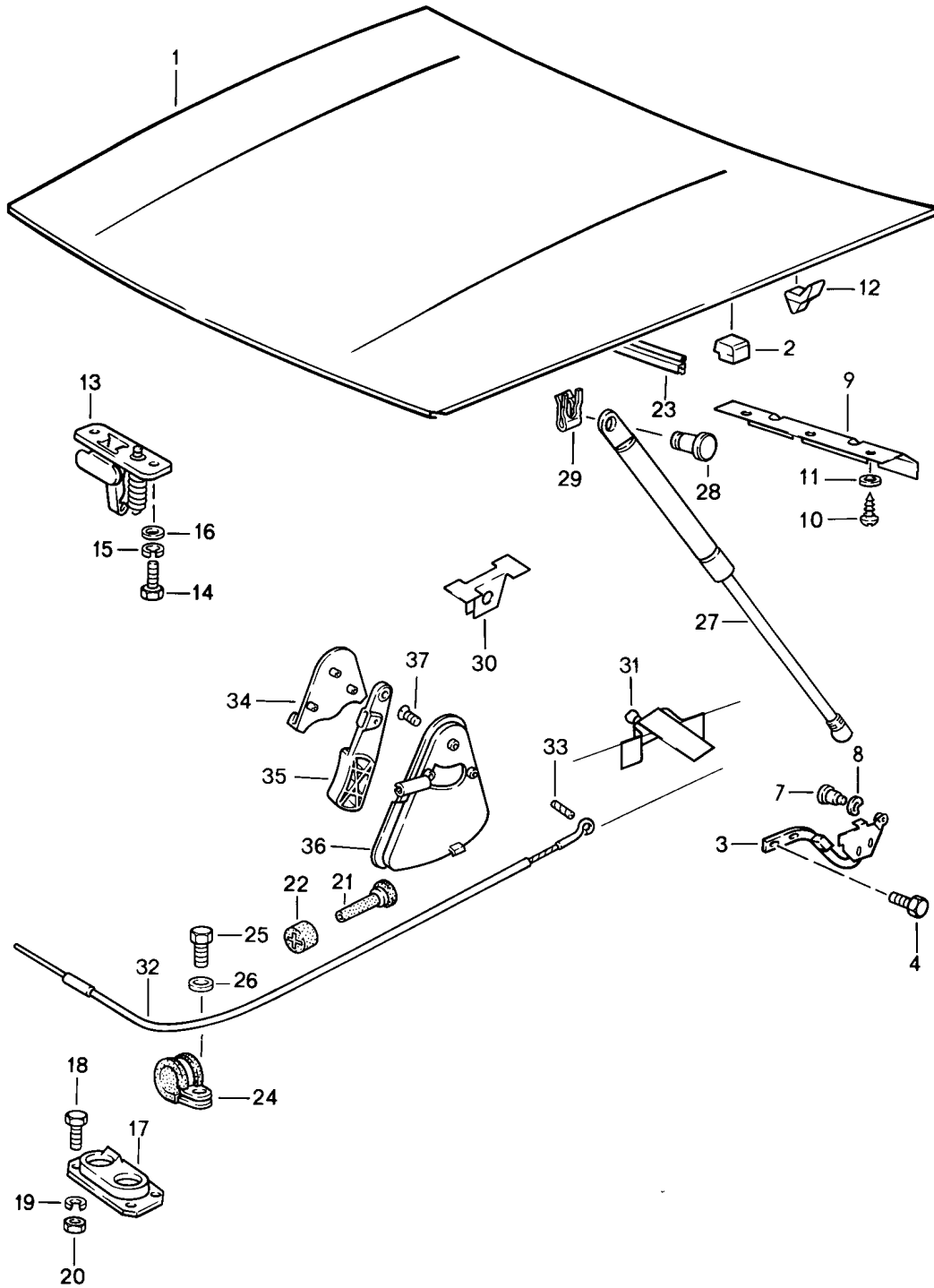


Model: 944 85 Model life 1985>>1988

Pos	Part Number	Description	Remark	Qty	Model
		Sill cover Winged rear apron			TURBO TURBO M472
1	951 559 193 00	Sill cover	/V /L	1	
(1)	951 559 194 00	Sill cover	/V /R	1	
2	951 559 195 00	Sill cover	/H /L	1	
(2)	951 559 196 00	Sill cover	/H /R	1	
3	951 559 385 00	Fastening angle		2	
4	N 013 891 1	Hexagon-head tapping screw B 6,3 X 19		8	
5	928 503 255 00	Spacer		22	
5		Spacer		22	
6	928 503 255 00 GRV	Prime coated			
6	999 591 327 02	Speed nut B 6,3 X 25 X 16		6	
6	999 501 327 01	Speed nut B 6,3 X 25 X 16		6	
6	999 591 327 01	Speed nut B 6,3 X 25 X 16		6	
7	999 049 008 40	Plastic nut		10	
8	999 190 361 40	Blind rivet 5 X 12		2	
9	951 504 051 00	Winged rear apron	/L	1	
10	951 504 052 00	Winged rear apron	/R	1	
11	900 910 010 02	Lock nut M 6		4	
12	N 011 666 7	Washer B 6,4		4	
13	999 218 057 00	Pan-head screw M 6 X 10		5	
14	N 011 557 6	Washer 6,4		5	
15	999 507 336 02	Captive nut M 6		5	
16	951 504 951 00	Winged rear apron Set See group 8/98/00		1	

Model: 944 85

Model life 1985>>1988



Model: 944 85 Model life 1985>>1988

Pos	Part Number	Description	Remark	Qty	Model
		Lid			
		Front			
		Actuator			
1	944 511 905 00	Rear lid		1	
2	477 823 185	Filler piece		2	
3	944 511 301 00	Hinge	/L	1	
(3)	944 511 302 00	Hinge	/R	1	
4	N 014 331 2	Hexagon-head bolt M 8 X 18		4	
7	944 511 307 00	Bearing pin		2	
8	944 511 309 00	Washer		2	
9	944 511 201 00	Tab washer		1	M533
10	900 143 007 02	Oval-head sheetmetal screw BZ 4,2 X 13		3	M533
10	900 073 507 01	Oval-head sheetmetal screw BZ 4,2 X 13		3	M533
11	900 025 002 02	Washer BZ 4,3		3	M533
11	900 025 002 03	Washer BZ 4,3		3	M533
12	937 511 237 00	Guide piece		2	
13	944 511 029 00	Lock upper part Upper part		1	
14	999 072 005 09	Hexagon nut M 6 X 12		2	
14	999 072 005 01	Hexagon nut M 6 X 12		2	
17	928 511 027 02	Lid lock Lower part		1	
18	900 075 116 02	Hexagon-head bolt M 4 X 8		4	
19	N 012 004 2	Lock ring B 4		4	
20	N 011 004 6	Hexagon nut M 4		4	
20	N 011 004 G	Nut M 4		4	
21	477 823 591	Grommet		1	
22	477 823 593	Stopper		1	
23	928 511 141 04	Gasket		1	
24	999 511 177 02	Clamp		1	
24	999 511 177 01	Clamp		1	
25	999 072 005 09	Hexagon nut M 6 X 12		1	
25	999 072 005 01	Hexagon nut M 6 X 12		1	
26	N 011 524 7	Washer		1	
26	N 011 524 27	Washer		1	
27	944 511 351 01	Gas-pressure spring		2	
28	999 094 011 09	Bolt	-87	2	
(28)		Bolt	88-	2	
29	N 900 470 01	Lock washer	-87	2	
30	944 511 373 00	Pneumatic spring mount		2	
31	944 501 371 00	Pneumatic spring mount	/L	1	
(31)	944 501 372 00	Pneumatic spring mount	/R	1	
32	944 511 037 00	Bowden cable		1	
33	900 197 018 00	Roll pin 4 X 12		1	
34	928 511 143 02	Cover		1	
35	928 511 175 02	Pull handle		1	
	928 511 175 02 70B	Black			
36	928 511 173 02	Bearing shell		1	
	928 511 173 02 70B	Black			

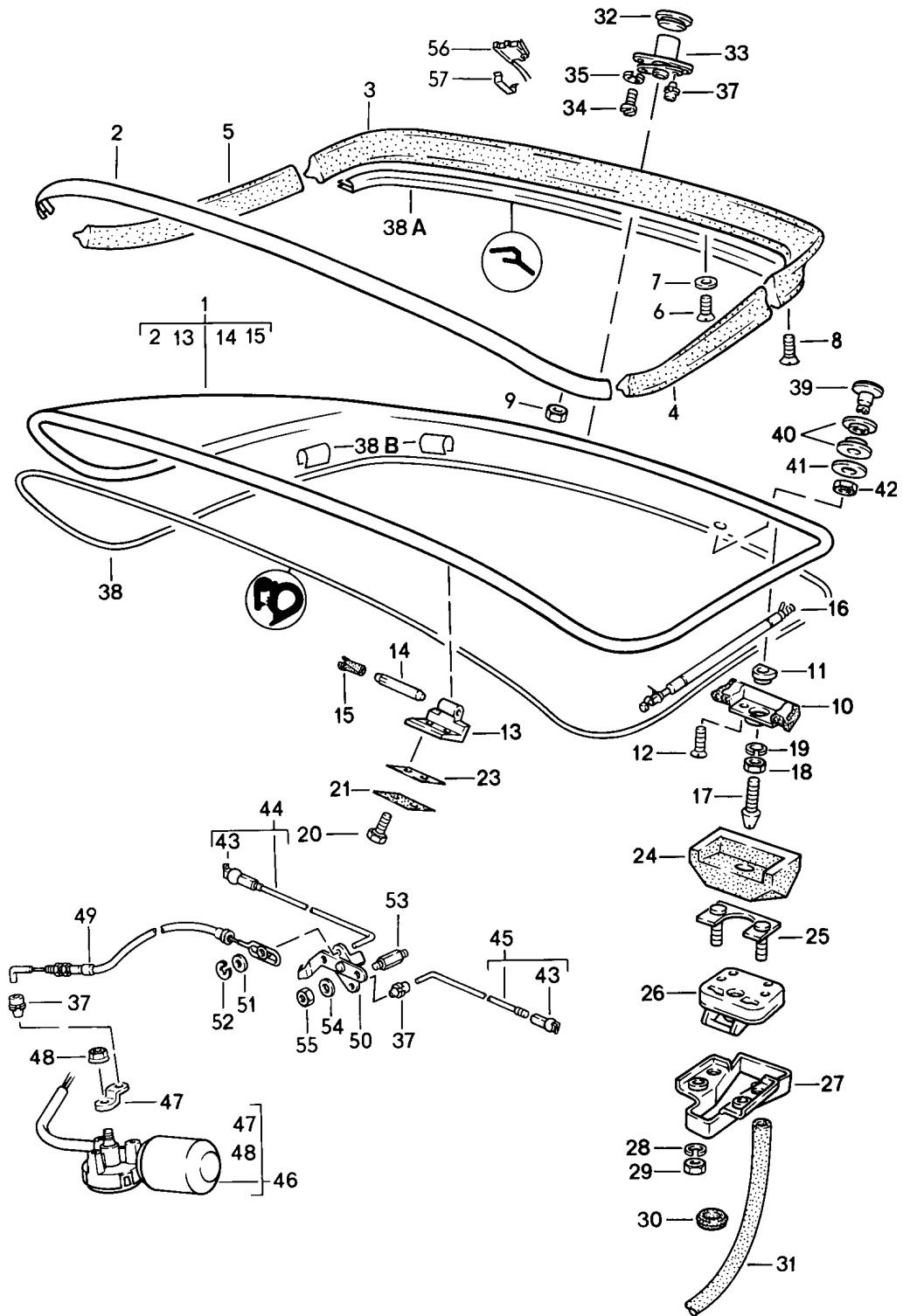
Model: 944 85

Model life 1985>>1988

Pos	Part Number	Description	Remark	Qty	Model
37	900 249 001 02	Countersunk-head screw M 6 X 15		2	

Model: 944 85

Model life 1985>>1988



Model: 944 85 Model life 1985>>1988

Pos	Part Number	Description	Remark	Qty	Model
1	477 827 027 J	Rear lid Rear spoiler Rear lid with Moulding And Rear spoiler F >>94FN4 50103		1	
1	944 512 929 05	Rear lid with Moulding without Rear spoiler -MOD.86 And M425 See group 9/04/05 POS.9 Mounting plate MOD.87- Order also: Rear lid Together with Wiper motor See group 9/04/05		1	
2	477 853 313 A	Trim frame		1	
3	937 512 555 00	Rear spoiler		1	
4	937 512 557 00	Rear spoiler	/L	1	
5	937 512 558 00	Rear spoiler	/R	1	
6	N 033 183 1	Countersunk-head screw M 5 X 20		7	
6	N 033 183 A	Countersunk-head screw M 5 X 20		7	
7	477 827 453 A	Washer		7	
8	N 033 185 1	Countersunk-head screw M 4 X 16		4	
9	N 021 255 1	Slotted nut M 4		12	
10	477 827 033 A	Housing F >>94FN4 50103	/L	1	
10	477 827 037 A	Housing F >>94FN4 50103	/L	1	
10	944 512 033 01	Housing F 94FN4 50104>>	/L	1	
10	944 512 033 04	Housing F 94FN4 50104>>	/L	1	
(10)	477 827 034 A	Housing F >>94FN4 50103	/R	1	
(10)	944 512 034 01	Housing F 94FN4 50104>>	/R	1	
(10)	944 512 034 04	Housing F 94FN4 50104>>	/R	1	
11	477 827 035	Rubber mounting		2	
12	999 219 011 07	Countersunk-head screw M 6 X 16,		4	
12	999 219 011 0H	Countersunk-head screw M 6 X 16,		4	
12	999 219 011 0J	Countersunk-head screw M 6 X 16,		4	
13	477 827 305 B	Hinge half		2	
14	944 512 311 00	Hinge pin		2	
15	477 827 441	Bush		2	

Model: 944 85 Model life 1985>>1988

Pos	Part Number	Description	Remark	Qty	Model
(16)	944 512 348 00	Gas-pressure spring	/R	1	
16	944 512 349 00	Gas-pressure spring	/L	1	
17	477 827 527	Lock pin		2	
		F >>94FN4 50103			
17	944 538 547 00	Lock pin		2	
		F 94FN4 50104>>			
18	N 011 008 8	Hexagon nut		2	
		M 8			
19	900 027 015 02	Lock ring		2	
		B 8			
19	900 027 015 03	Lock ring		2	
		B 8			
20	N 014 770 3	Pan-head screw		4	
		M 8 X 12			
21	928 512 417 03	Plate		2	
23	944 512 413 00	Gasket		2	
24	477 827 365 D	Gasket	/L	1	
		F >>94FN4 50103			
24	944 512 365 01	Gasket	/L	1	
		F 94FN4 50104>>			
(24)	477 827 366 D	Gasket	/R	1	
		F >>94FN4 50103			
(24)	944 512 366 01	Gasket	/R	1	
		F 94FN4 50104>>			
25	951 512 447 00	Reinforcement plate		2	
26	477 827 505 A	Rear lid lock	/L	1	
		F >>94FN4 50103			
		F >>94FN4 00259			
26	944 538 955 01	Rear lid lock	/L	1	
		F 94HN4 60001>>94JN4 65546			944S
		F 94FN4 50104>>94JN4 73458			944
		F 95GN1 50001>>95JN1 51355	(USA)		TURBO
		F 95GN1 50001>>95JN1 60105	(CDN)		TURBO
(26)	944 538 055 01	Rear lid lock	/L	1	
		F 94JN4 65547>>			944S
		F 94JN4 73459>>			944
		F 95JN1 51356>>	(USA)		TURBO
		F 95JN1 60106>>	(CDN)		TURBO
(26)	477 827 506 A	Rear lid lock	/R	1	
		F >>94FN4 50103			
(26)	944 538 956 01	Rear lid lock	/R	1	
		F 94HN4 60001>>94JN4 65546			944S
		F 94FN4 50104>>94JN4 73458			944
		F 95GN1 50001>>95JN1 51355	(USA)		TURBO
		F 95GN1 50001>>95JN1 60105	(CDN)		TURBO
(26)	944 538 056 01	Rear lid lock	/R	1	
		F 94JN4 65547>>			944S
		F 94JN4 73459>>			944
		F 95JN1 51356>>	(USA)		TURBO
		F 95JN1 60106>>	(CDN)		TURBO
27	477 827 541	Water drip pan		2	
28	N 012 006 4	Lock ring		4	
		B 6			
29	900 076 010 02	Nut		4	
		M 6			
29	900 076 010 0B	Nut		4	
		M 6			
30	111 971 911 A	Grommet		2	
31	477 827 547	Hose		2	
		400 MM			
32	477 827 529 A	Sealing ring		1	
33	944 538 911 00	Lock cylinder	-87	1	
		W/o stipulated lock number			

Model: 944 85 Model life 1985>>1988

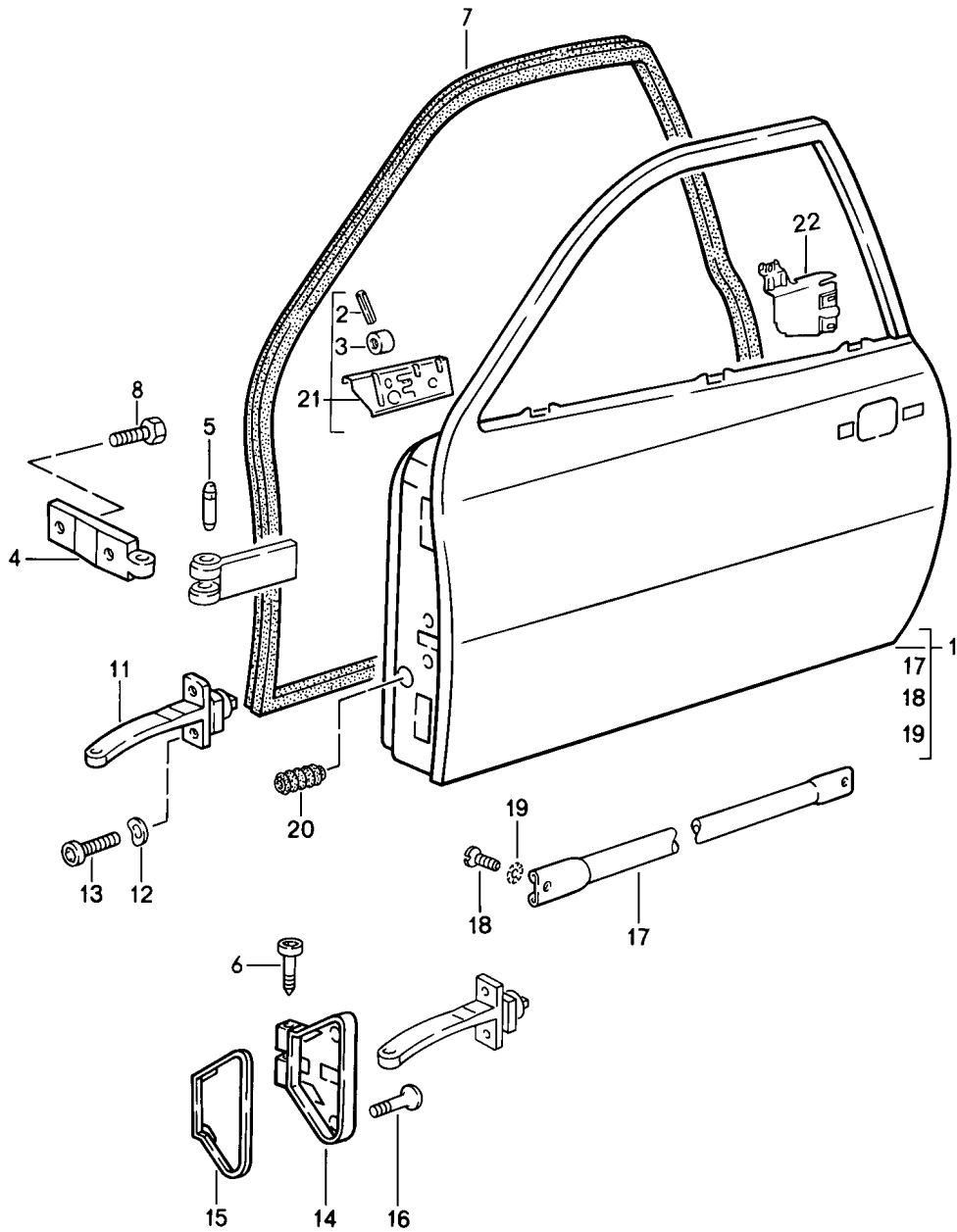
Pos	Part Number	Description	Remark	Qty	Model
(33)	944 538 911 01	with 2 secondary keys Lock cylinder	88-	1	
(33)	477 827 573 B	W/o stipulated lock number with 2 secondary keys Lock cylinder	-87	1	
(33)	944 538 073 00	with stipulated lock number Lock cylinder	88-	1	
34	N 014 139 5	with stipulated lock number State lock number Oval-head screw		2	
35	N 012 007 2	M 6 X 12 Lock ring		2	
35	900 027 004 03	A 6 Lock ring		2	
37	993 531 563 00	A 6 Linkage clip	-87	2	
(37)	999 166 054 02	Sl-lock	88-	1	
(37)	999 166 054 01	Sl-lock	88-	1	
38	944 512 043 00	Seal for rear lid		1	
38A	944 512 463 00	Additional gasket	-86	1	
38A		Additional gasket	87-	1	
38B	999 591 342 03	Clamp		4	
39	477 845 333	Screw plug		1	
40	477 955 439	Grommet		2	
41	477 845 331	Washer		1	
42	N 011 118 14	Hexagon nut		1	
42	900 034 001 05	M 8 Hexagon nut		1	
43	N 015 704 1	M 8 Ball socket	-87	1	
(43)	999 168 025 00	Ball socket	88-	1	
44	944 512 092 01	Pull rod	/R	1	
45	944 512 091 00	Tension strut	/L	1	
46	944 624 024 01	Electric motor See technical information GR.5,NR.1/93 F >>94GN4 57874		1	944 TURBO
(46)		F >>95GN1 54211 Electric motor See technical information GR.5,NR.1/93 F 94GN4 57875>> F 95GN1 54212>>	-87	1	944 TURBO
(46)	944 624 024 02	Electric motor See technical information GR.5,NR.1/93	88-	1	
47	944 624 824 00	Lever F >>94GN4 57874 F >>95GN1 54211		1	944 TURBO
(47)	944 624 824 01	Lever F 94GN4 57875>> F 95GN1 54212>>	-87	1	944 TURBO
(47)	944 624 814 00	Lever	88-	1	
48	999 084 045 02	Lock nut		1	
49	944 512 097 02	Bowden cable F >>94JN4 72389 F >>94JN4 65448 F >>95JN1 51087 F >>95JN1 60086	(USA) (CDN)	1	944 944S TURBO TURBO
(49)	944 512 097 03	Bowden cable F 94JN4 72390>> F 94JN4 65449>> F 95JN1 51088>>	(USA)	1	944 944S TURBO

Model: 944 85 Model life 1985>>1988

Pos	Part Number	Description	Remark	Qty	Model
50	944 512 095 00	F 95JN1 60087>> Lever	(CDN)	1	TURBO
52	N 012 054 2	Clamping washer		1	
53	944 512 201 00	Stud		2	
54	N 011 524 7	Washer B 6		2	
54	N 011 524 27	Washer B 6		2	
55	900 076 010 02	Nut M 6		2	
55	900 076 010 0B	Nut M 6		2	
56	944 624 030 00	Microswitch F 94JN4 65547>> F 94JN4 73459>> F 95JN1 51356>> F 95JN1 60106>>	(USA) (CDN)	1	944S 944 TURBO TURBO
57	999 591 910 00	Clamp F 94JN4 65547>> F 94JN4 73459>> F 95JN1 51356>> F 95JN1 60106>>	(USA) (CDN)	1	944S 944 TURBO TURBO

Model: 944 85

Model life 1985>>1988

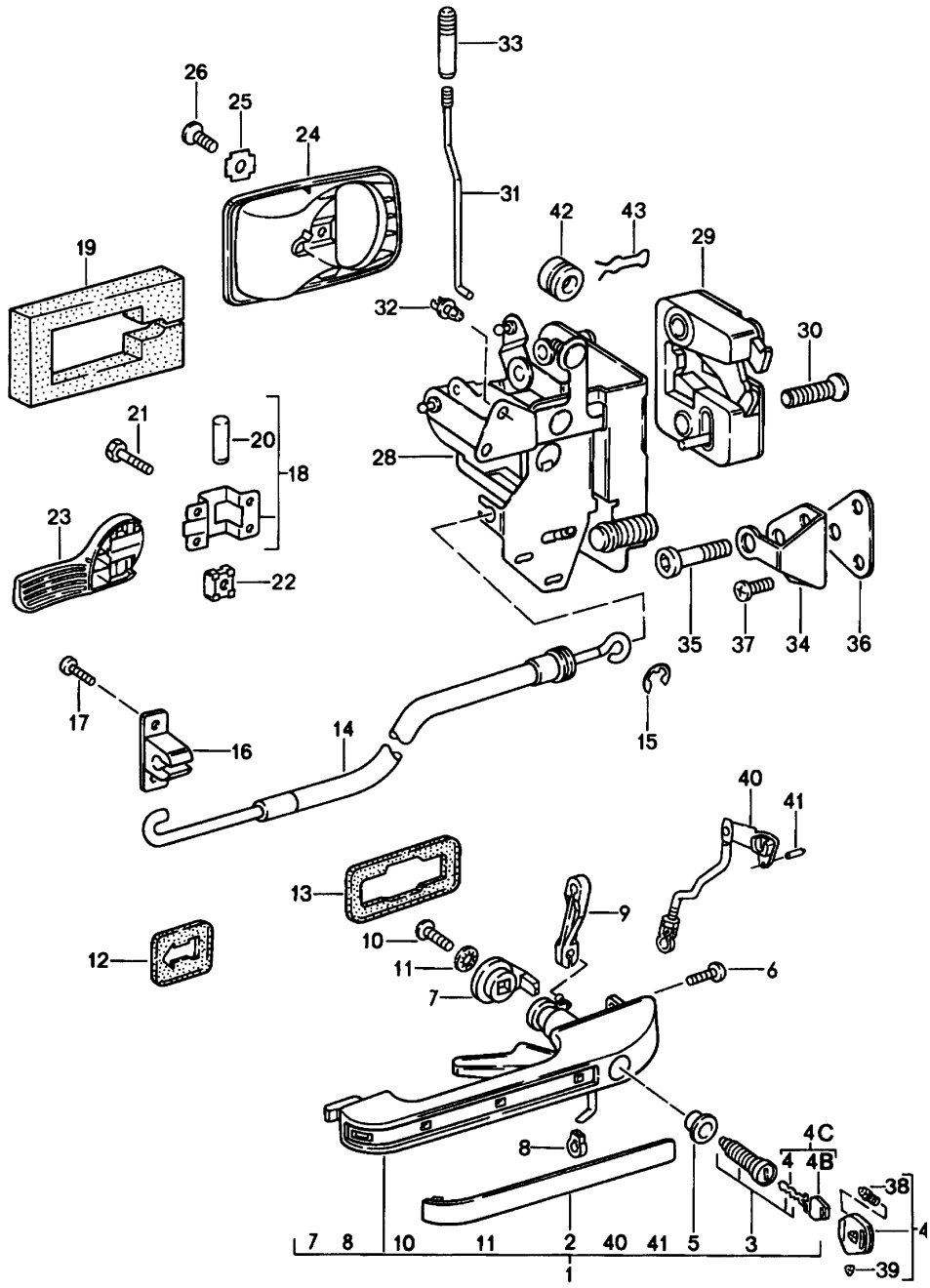


Model: 944 85 Model life 1985>>1988

Pos	Part Number	Description	Remark	Qty	Model
1	944 531 005 02	Door Door in white Prepared for	/L	1	
(1)	945 531 006 02	Door mirror Door in white Prepared for	/R	1	
2	N 013 295 1	Door mirror		2	
3	928 531 235 03	Tensioning sleeve		2	
4	171 831 403	Threaded piece		4	
5	321 831 421	Hinge half		4	
6	928 537 419 03	Hinge pin		2	
7	944 537 091 00	Pan-head screw	/L	1	
(7)	944 537 092 00	Door seal	/R	1	
8	N 902 180 01	Door seal		8	
		Combination screw M 8 X 14			
11	944 537 609 00	Door arrester		2	
12	N 011 524 7	Washer B 6		4	
12	N 011 524 27	Washer B 6		4	
13	900 067 008 02	Pan-head screw M 6 X 12		4	
13	900 067 008 03	Pan-head screw M 6 X 12		4	
14	928 537 417 02	Bearing bracket	/L	1	
14	928 537 417 03	Bearing bracket	/L	1	
(14)	928 537 418 02	Bearing bracket	/R	1	
15	928 537 425 02	Desk pad	/L	1	
(15)	928 537 426 02	Desk pad	/R	1	
16	928 537 459 02	Oval-head screw M 6 X 20		4	
17	477 831 155	Reinforcement plate		2	M190
18	999 147 006 02	Oval-head screw M 8 X 16		4	M190
19	N 012 133 1	Shake-proof washer V 8,4		4	M190
20	477 971 910	Bellows		2	
21	944 531 239 00	Reinforcement plate	/L	1	
		Door mirror			
(21)	944 531 240 00	Reinforcement plate	/R	1	
		Door mirror			
22	944 531 135 00	Cover plate	/L	1	
(22)	944 531 136 00	Cover plate	/R	1	

Model: 944 85

Model life 1985>>1988



Model: 944 85 Model life 1985>>1988

Pos	Part Number	Description	Remark	Qty	Model
1	944 538 905 00	Outer door handle			
(1)	944 538 906 00	Door lock			
(1)	944 538 905 01	Outer door handle	/L 85	1	
		Outer door handle	/R 85	1	
		Outer door handle	/L 86-	1	
		W/o stipulated lock number			
		M341:			
		Microswitch		1	
		911.613.133.00			
		Order also:			
(1)	944 538 905 02	Outer door handle	/L 86-	1	
		with stipulated lock number			
		M341:			
		Microswitch		1	
		911.613.133.00			
		Order also:			
(1)	944 538 906 01	Outer door handle	/R 86-	1	
		W/o stipulated lock number			
		M341:			
		Microswitch		1	
		911.613.133.00			
		Order also:			
(1)	944 538 906 02	Outer door handle	/R 86-	1	
		with stipulated lock number			
		M341:			
		Microswitch		1	
		911.613.133.00			
		Order also:			
2	823 837 239	Cover	85	2	
3	944 538 903 00	Outer door handle			
		Lock cylinder	85	2	
		W/o stipulated lock number			
		with 2 secondary keys			
(3)	944 538 903 01	Lock cylinder	85	2	
		with stipulated lock number			
		State lock number			
		with 2 secondary keys			
		Grease			
		for lock cylinder			
		See group			
		0/05/00			
4	944 538 331 00	Blank key		2	
4A	944 538 041 00	Key lamp		1	
4A	944 538 041 01	Key lamp		1	
4B	944 538 431 00	Key cap		1	
4C	944 538 933 00	Key		1	
		with stipulated lock number			
		State lock number			
		Information available			
5	111 837 227 B	Sealing ring	85	2	
6	803 837 951	Self-lock. fillister screw		2	
7	477 837 497	Driver	85	2	
8	999 168 004 40	Ball socket	85	2	
9	477 837 505 A	Connecting piece	/L	1	
(9)	477 837 506 A	Connecting piece	/R	1	
10	N 033 165 1	Countersunk-head screw	85	2	
		AM 4 X 8			
11	N 012 116 1	Serrated lock washer	85	2	
		V 4,3			
12	867 837 209	Desk pad	/V	2	
13	171 837 211 A	Desk pad	/H	2	
14	477 837 017 A	Bowden cable		2	
15	900 116 002 02	Lock washer		2	

Model: 944 85 Model life 1985>>1988

Pos	Part Number	Description	Remark	Qty	Model
		3,2			
16	477 837 115 A	Support		2	
17	999 217 029 02	Hexagon-head bolt M 6 X 10 Self-locking		4	
(17)	PCG 217 029 02	Hexagon-head bolt M 6 X 10 Self-locking		4	
18	944 537 029 00	Inner door release	/L	1	
(18)	944 537 030 00	Inner door release	/R	1	
19	477 831 304 A	Seal		2	
20	N 013 666 1	Rivet B 4 X 32		2	
21	999 217 029 02	Hexagon-head bolt		8	
(21)	PCG 217 029 02	Hexagon-head bolt M 6 X 10, SELBSTSICHERND		8	
22	477 837 521	Captive nut		8	
23	944 537 225 00	Handle Inner door release	/L	1	
	944 537 225 00 01C	Black	85		
	944 537 225 00 4RB	Brown	85		
	944 537 225 00 8CJ	Light grey	85		
	944 537 225 00 9MM	Burgundy	85		
	944 537 225 00 3DL	Black	86-		
	944 537 225 00 5TL	Brown	86-		
	944 537 225 00 1FL	Light grey	86-		
	944 537 225 00 4LL	Burgundy	86-		
(23)	944 537 226 00	Handle Inner door release	/R	1	
	944 537 226 00 01C	Black	85		
	944 537 226 00 4RB	Brown	85		
	944 537 226 00 8CJ	Light grey	85		
	944 537 226 00 9MM	Burgundy	85		
	944 537 226 00 3DL	Black	86-		
	944 537 226 00 5TL	Brown	86-		
	944 537 226 00 1FL	Light grey	86-		
	944 537 226 00 4LL	Burgundy	86-		
24	944 537 229 00	Rosette		2	
	944 537 229 00 8UC	Brown	85		
	944 537 229 00 7DC	Light grey	85		
	944 537 229 00 3MC	Burgundy	85		
	944 537 229 00 3DL	Black			
	944 537 229 00 5TL	Brown	86-		
	944 537 229 00 1FL	Light grey	86-		
	944 537 229 00 4LL	Burgundy	86-		
26	N 014 216 1	Countersunk-head screw AM 5 X 10		2	
28	928 537 907 03	Lock Inner part	/LL /L 85	1	
28	928 537 053 07	Door lock Inner part	/LL /L 86-	1	
(28)	928 537 908 04	Lock Inner part	/LL /R 85	1	
(28)	928 537 054 08	Door lock Inner part	/LL /R 86-	1	
29	928 537 153 03	Door lock Outer part	/L	1	
(29)	928 537 154 03	Door lock Outer part	/R	1	
30	928 537 721 02	Oval-head screw M 8 X 35		4	
31	477 837 183 A	Locking rod		2	
32	477 837 187	Clip		2	

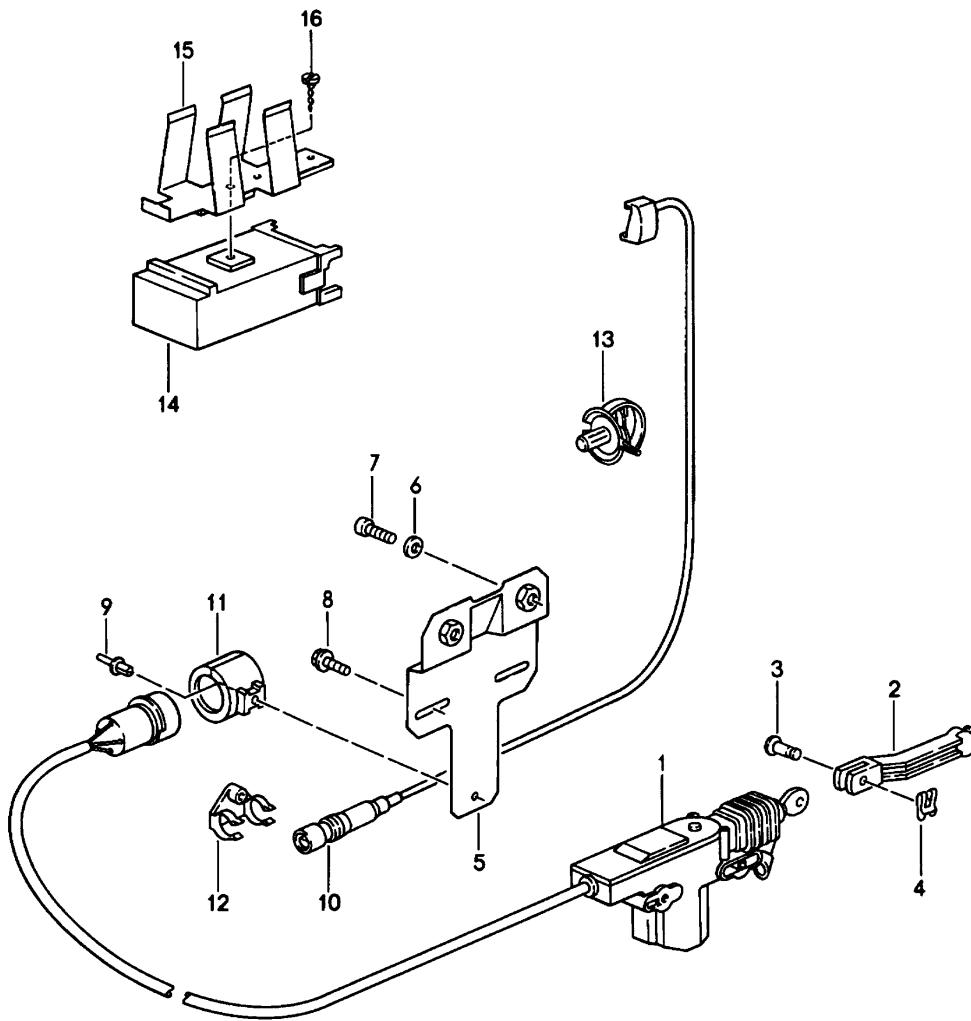
Model: 944 85

Model life 1985>>1988

Pos	Part Number	Description	Remark	Qty	Model
(33)	944 555 359 01	Knob		2	
	944 555 359 01 01C	Black			
34	928 537 133 02	Door lock striker		2	
35	928 537 131 03	Lock pin		2	
36	928 537 135 04	Desk pad		2	
37	900 269 027 02	Countersunk-head screw M 8 X 16		4	
38	928 537 630 02	Bulb E 5,5		1	
39	944 538 443 00	Crest		1	
40	944 537 261 00	Reverse lever	/L	1	
(40)	944 537 262 00	Reverse lever	/R	1	
41	N 023 323 2	Roll pin		2	

Model: 944 85

Model life 1985>>1988

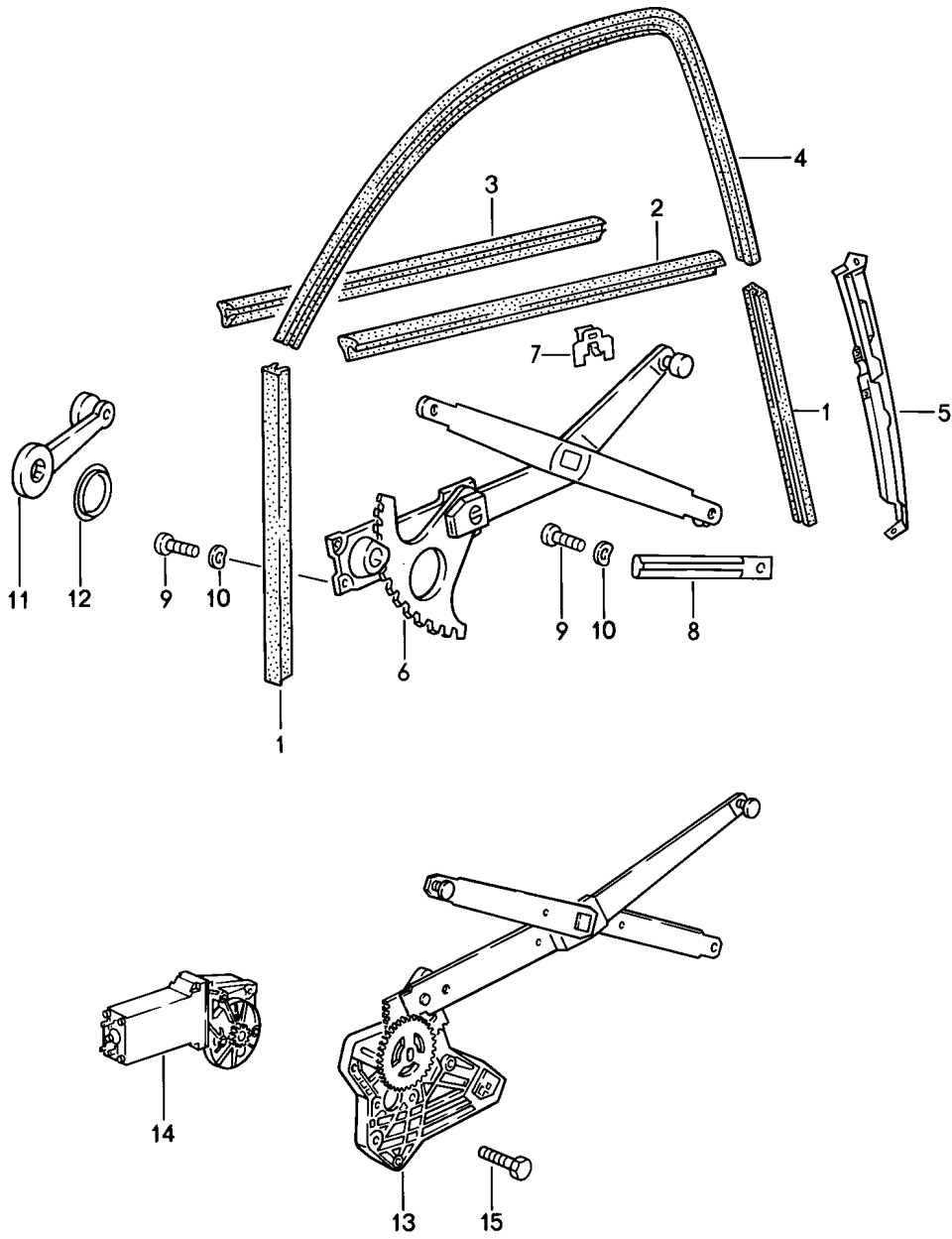


Model: 944 85 Model life 1985>>1988

Pos	Part Number	Description	Remark	Qty	Model
		Central locking system	86-		M341
1	944 624 211 00	Transmission element		2	
2	944 537 511 00	Operating rod		2	
3	N 100 438 01	Bolt		2	
4	N 012 644 1	Lock		2	
5	944 537 151 00	Mounting plate		2	
6	N 011 524 7	Washer		4	
		A 6,4			
6	N 011 524 27	Washer		4	
		A 6,4			
7	N 014 765 2	Pan-head screw		4	
		M 6 X 10			
8	999 919 035 02	Hexagon-head bolt		4	
9	N 038 504 1	Expansion rivet		2	
		15 X 7,5			
10	964 613 134 00	Microswitch		2	
11	944 612 450 01	Support		2	
12	321 971 898 B	Support		2	
13	944 612 555 00	Cable holder		14	
14	911 618 113 01	Control unit		1	
14	911 618 113 02	Control unit		1	
14		Control unit		1	
15	944 618 163 00	Support		1	
16	999 919 032 02	Oval-head screw		1	

Model: 944 85

Model life 1985>>1988

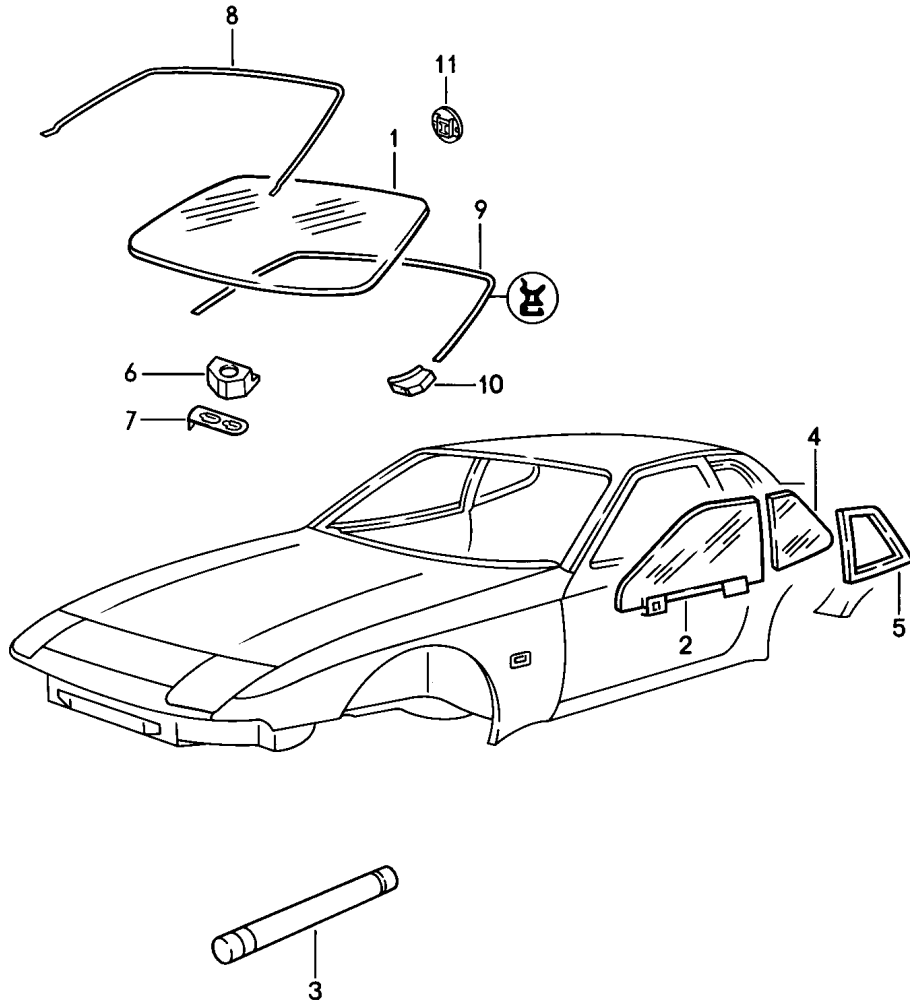


Model: 944 85 Model life 1985>>1988

Pos	Part Number	Description	Remark	Qty	Model
		Power windows			
		Window guide			
1	477 837 385	Window guide		4	
2	477 837 469 A	Sealing strip	/L	1	
		Outer			
(2)	477 837 470 A	Sealing strip	/R	1	
		Outer			
3	477 837 471 A	Sealing for door slot		2	
		Inner			
4	944 537 079 00	Window guide	/L	1	
(4)	944 537 080 00	Window guide	/R	1	
5	944 531 103 00	Window guide rail	/L 86-	1	
(5)	944 531 104 00	Window guide rail	/R 86-	1	
7	171 837 485	Clamp		10	
8	944 537 589 00	Guide rail		2	
9	999 217 029 02	Hexagon-head bolt		12	
		M 6 X 10			
		Self-locking			
(9)	PCG 217 029 02	Hexagon-head bolt		12	
		M 6 X 10			
		Self-locking			
10	N 011 652 1	Washer		12	
		A 7 X 12			
13	477 837 391 C	Cross-arm	/L	1	
		Power window			
(13)	477 837 392 C	Cross-arm	/R	1	
		Power window			
14	477 959 123 A	Engine and transmission	/L	1	
(14)	477 959 124 A	Engine and transmission	/R	1	
15	N 014 228 4	Countersunk-head screw		6	
		AM 6 X 12			
		electrical components			
		See group			
		9/02/27,9/03/00			

Model: 944 85

Model life 1985>>1988



Model: 944 85 Model life 1985>>1988

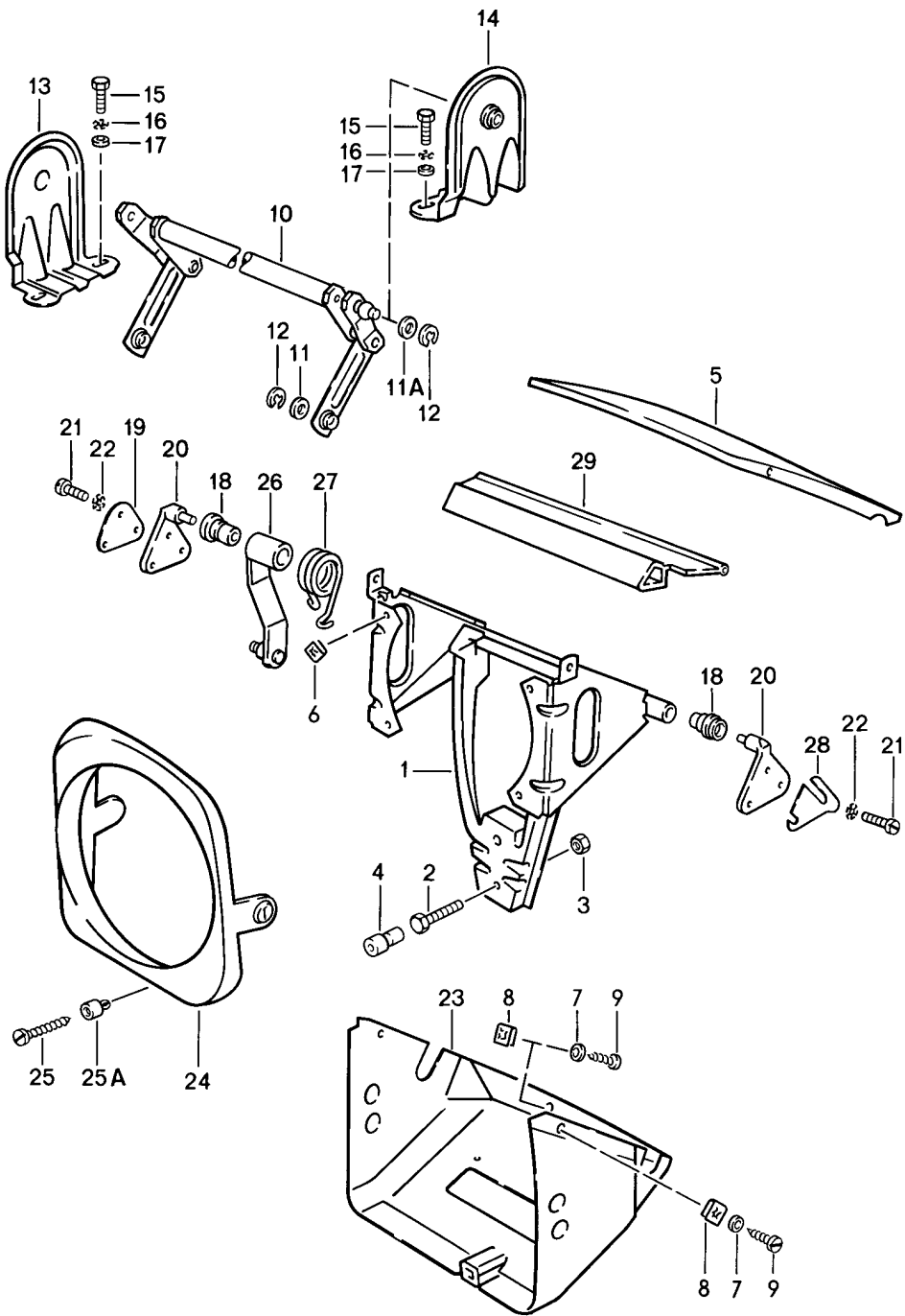
Pos	Part Number	Description	Remark	Qty	Model
1	944 541 011 13	window glazing Windscreen Clear with Antenna	87	1	M562
1		Windscreen Clear with Antenna	87-	1	M462
1		Windscreen Clear with Antenna	88-	1	
(1)	944 541 011 09	Windscreen Tinted with Antenna	-87	1	
(1)	944 541 011 12	Windscreen Tinted with Antenna	87	1	M562
(1)		Windscreen Tinted with Antenna	87-	1	M462
(1)		Windscreen Tinted with Antenna	88-	1	
(1)	944 541 011 11	Windscreen Tinted Green top tint And Antenna	-87	1	
(1)	944 541 011 14	Windscreen Tinted Green top tint And Antenna	87	1	M562
(1)		Windscreen Tinted Green top tint And Antenna	87-	1	M462
(1)		Windscreen Tinted Green top tint And Antenna	88-	1	
-	477 845 043	Retainer plate Interior mirror		1	
(2)	944 542 023 01	Door window glass Tinted	/L	1	
(2)	944 542 024 01	Door window glass Tinted	/R	1	
3	000 043 300 94	Adhesive set Windscreen		1	
(4)	477 845 311 A	Side window Tinted	/L	1	
(4)	477 845 312 A	Side window Tinted	/R	1	
5	944 557 321 00	Rubber seal	/L	1	
(5)	944 557 322 00	Rubber seal	/R	1	

Model: 944 85 Model life 1985>>1988

Pos	Part Number	Description	Remark	Qty	Model
6	944 559 031 02	Spacer	-87	2	
6		Spacer	88-	2	
7	944 559 337 00	Fastening part		2	
8	944 559 535 04	Cover strip		1	
		F >>94FN4 57699			944
		F >>95GN1 50100			TURBO
8	944 559 535 07	Cover strip		1	
		F >>94FN4 57699			944
		F >>95GN1 50100			TURBO
8	944 559 535 03	Cover strip		1	
		F 94FN4 57700>>			944
		F 95GN1 50101>>			TURBO
8	944 559 535 05	Cover strip		1	
		F 94FN4 57700>>			944
		F 95GN1 50101>>			TURBO
8	944 559 535 06	Cover strip		1	
		F 94FN4 57700>>			944
		F 95GN1 50101>>			TURBO
8	993 541 225 01	Covering frame		1	
		F 94FN4 57700>>			944
		F 95GN1 50101>>			TURBO
8	993 541 925 00	Covering frame		1	
		F 94FN4 57700>>			944
		F 95GN1 50101>>			TURBO
9	944 559 543 02	Frame	-87	1	
9	944 559 543 03	Frame		1	
10	944 559 341 00	Stopper	/L	1	
(10)	944 559 342 00	Stopper	/R	1	
-	000 043 204 82	Adhesive for Cover strip		X	

Model: 944 85

Model life 1985>>1988



Model: 944 85 Model life 1985>>1988

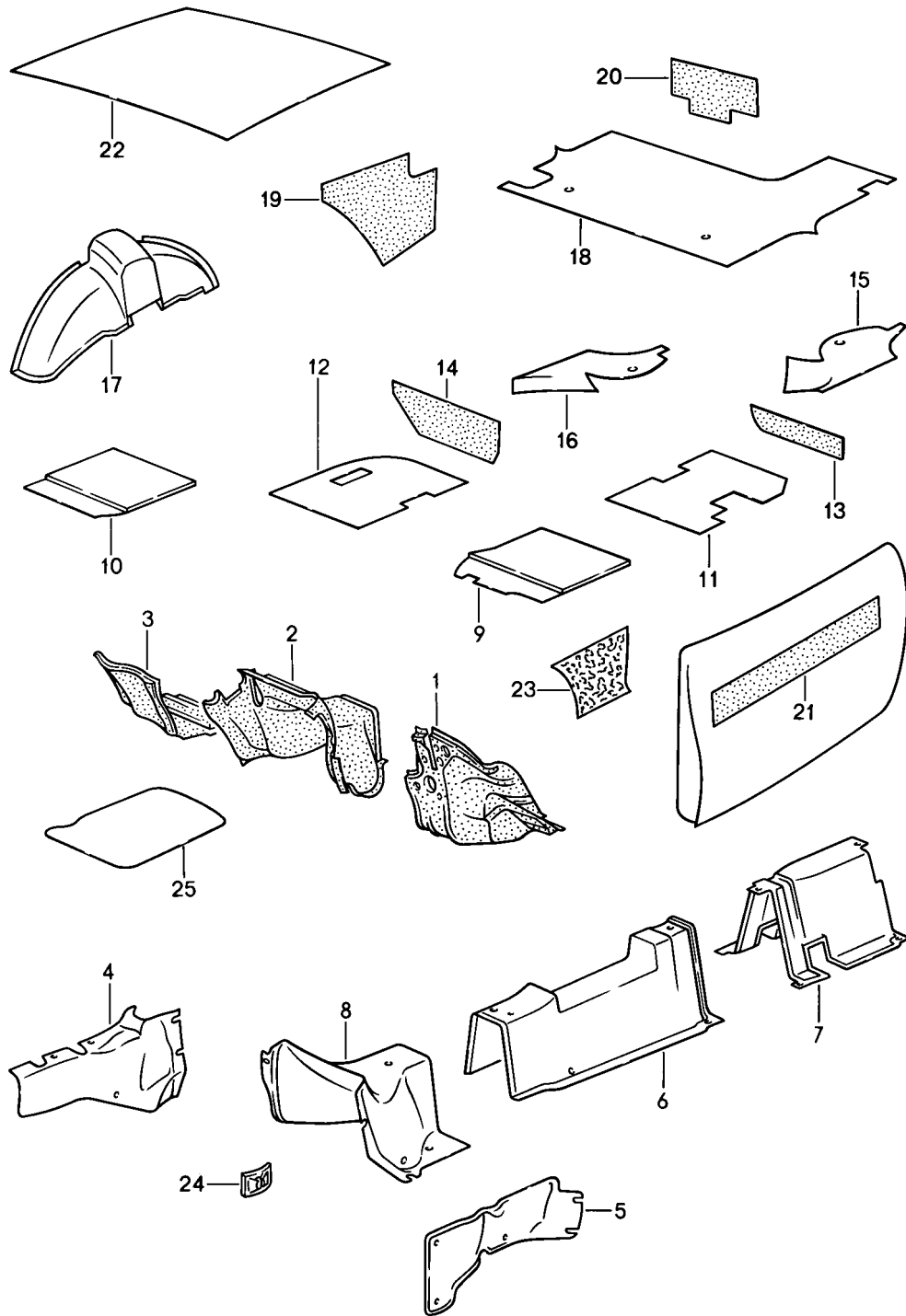
Pos	Part Number	Description	Remark	Qty	Model
1	944 750 605 00	Pop-up headlight			
(1)	944 750 606 00	Swivel frame	/L	1	
2	N 010 221 3	Swivel frame	/R	1	
3	900 076 010 02	Hexagon-head bolt		2	
		M 6 X 35			
3	900 076 010 0B	Nut		2	
		M 6			
4	914 504 319 00	Nut		2	
		M 6			
5	914 504 319 00	Grommet		2	
(5)	477 805 611	Housing cover	/L	1	
(5)	951 503 611 00	Housing cover	/L	1	TURBO
(5)	477 805 612	Housing cover	/R	1	
(5)	951 503 612 00	Housing cover	/R	1	TURBO
6	999 507 252 02	Nut	-87	8	
		B 4,2 X 17			
7	900 151 028 02	Washer		4	
		4,1			
7	900 151 028 01	Washer		4	
		4,1			
8	N 015 438 1	Speed nut		10	
		B 3,5 X 16,5			
9	N 014 086 4	Rais. counters. h. tap. s.		10	
		B 3,5 X 9,13			
10	477 805 615	Control shaft		1	
11	N 011 525 13	Washer		2	
11A	477 805 695	Heat shield		1	
12	N 012 436 2	Lock washer		3	
		6			
13	477 805 617	Bearing bracket		1	
14	477 805 622	Bearing bracket		1	
15	N 010 215 13	Hexagon-head bolt		4	
		M 6 X 15			
16	N 012 105 3	Serrated lock washer		4	
		A 6,4			
17	N 011 524 7	Washer		4	
		A 6,4			
17	N 011 524 27	Washer		4	
		A 6,4			
18	477 805 623	Bush		4	
19	914 750 169 10	Plate		4	
(19)	951 750 169 00	Plate		2	TURBO
20	914 750 271 10	Bearing bracket		4	
(20)	951 750 271 00	Bearing bracket		2	TURBO
21	999 072 005 09	Hexagon nut		12	
		M 6 X 12			
21	999 072 005 01	Hexagon nut		12	
		M 6 X 12			
22	N 012 105 3	Serrated lock washer		12	
		A 6,4			
(23)	944 750 631 00	Housing	/L	1	
(23)	944 750 631 01	Housing	/L	1	
(23)	944 750 632 00	Housing	/R	1	
(23)	944 750 632 01	Housing	/R	1	
24	477 805 633	Retaining ring	/L	1	
(24)	951 503 633 00	Retaining ring	/L	1	TURBO
(24)	477 805 634	Retaining ring	/R	1	
(24)	477 805 634 A	Retaining ring	/R	1	
(24)	951 503 634 00	Retaining ring	/R	1	TURBO
25	N 043 979 2	Tapping screw		2	
		BZ 4,2 X 45			
25A	477 857 173	Clip		2	
26	477 805 651	Driver		2	

Model: 944 85 Model life 1985>>1988

Pos	Part Number	Description	Remark	Qty	Model
27	477 805 661	Spring	/L	1	
(27)	477 805 662	Spring	/R	1	
28	477 805 663	Plate		X	
29	477 853 363	Cover strip	/L	1	
(29)	477 853 364	Cover strip	/R	1	

Model: 944 85

Model life 1985>>1988



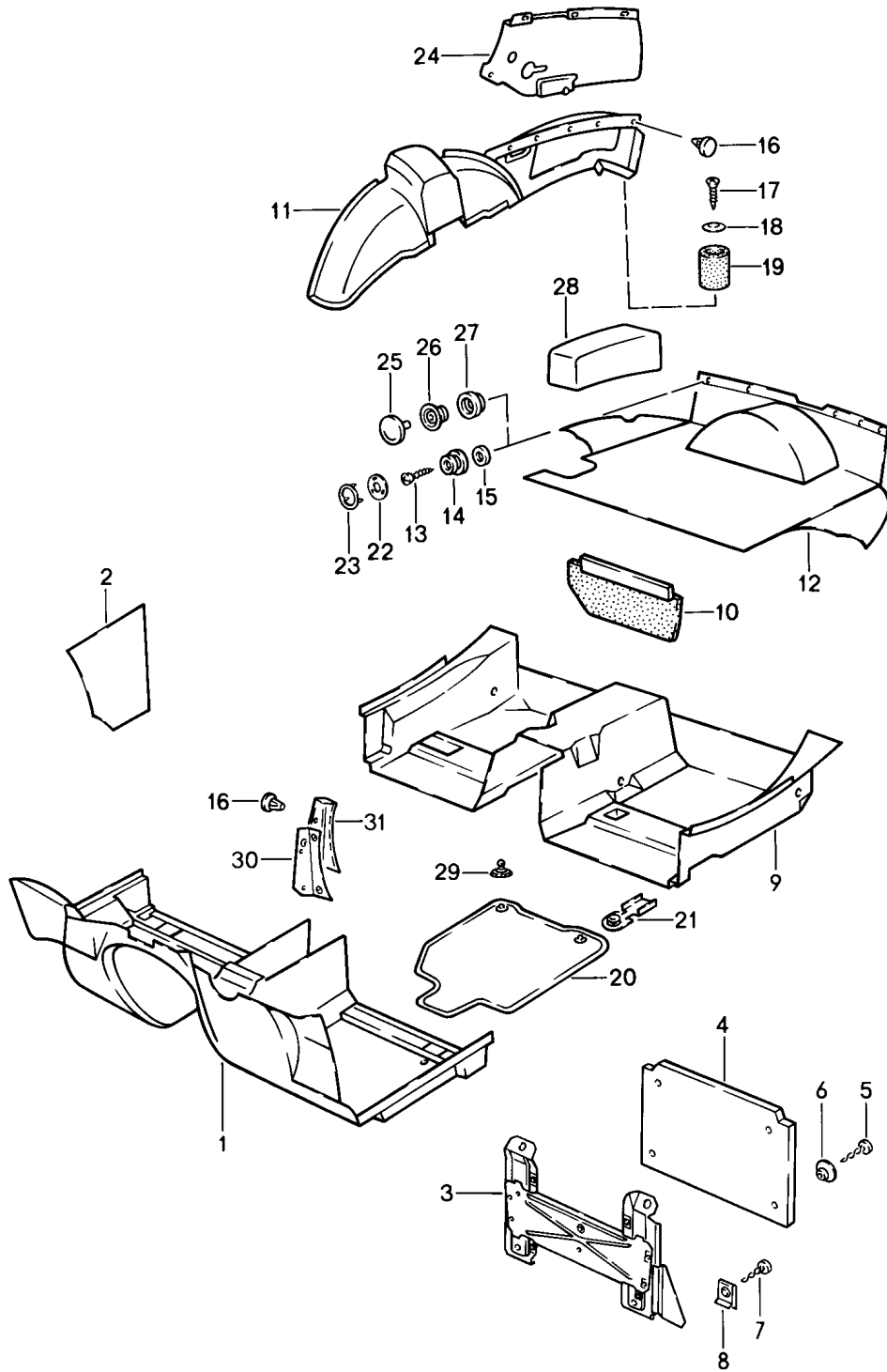
Model: 944 85

Model life 1985>>1988

Pos	Part Number	Description	Remark	Qty	Model
1	944 556 865 02	Sound absorber	/LL /L	1	TURBO
2	944 556 855 02	Sound absorber	/LL	1	
3	944 556 866 00	Insulation	/LL /R	1	
3	944 556 866 03	Sound absorber	/LL /R	1	
4	944 556 074 00	Sound absorber	/R	1	
5	951 556 075 00	Heat protection	/L	1	
6	951 556 071 01	Sound absorber		1	
7	951 556 621 00	Heat protection		1	
8	944 556 077 00	Sound absorber	/LL	1	
9	944 556 775 01	Sound absorber	/LL /L	1	
10	944 556 776 01	Sound absorber	/LL /R	1	
11	944 556 157 00	Sound absorber	/L	1	
12	944 556 158 00	Sound absorber	/R	1	
13	944 556 085 00	Sound absorber	/L	1	
(13)	944 556 086 00	Sound absorber	/R	1	
(14)	944 556 085 00	Sound absorber	/L	1	
14	944 556 086 00	Sound absorber	/R	1	
15	944 556 777 01	Sound absorber	/L	1	
16	944 556 778 01	Sound absorber	/R	1	
(17)	944 556 885 00	Sound absorber	/L	1	
17	944 556 886 00	Sound absorber	/R	1	
18	944 556 081 00	Sound absorber		1	
		Boot floor plate			
(19)	931 556 865 00	Sound absorber	/L	1	
(19)	931 556 867 00	Sound absorber	/L	1	
(19)	931 556 866 00	Sound absorber	/R	1	
(19)	931 556 868 00	Sound absorber	/R	1	
		Side section			
20	477 863 867	Insulation		1	
		Spare-wheel well			
21	993 556 521 00	Insulation		2	
		Door			
22	944 556 609 00	Sound absorber		1	
		Roof			
23	944 556 853 02	Insulation	/LL /L	1	
(23)	944 556 854 03	Insulation	/LL /R	1	
24	N 900 661 01	Clamping washer		X	
25	477 863 771	Sound absorber	/L	1	
(25)	944 556 772 01	Sound absorber	/R	1	
		Bonnet			

Model: 944 85

Model life 1985>>1988



Model: 944 85 Model life 1985>>1988

Pos	Part Number	Description	Remark	Qty	Model
1	944 555 055 00	Linings Floor mat	/LL -86	1	
	944 555 055 00 3BF	Black	85		
	944 555 055 00 8NF	Brown	85		
	944 555 055 00 4BF	Grey	85		
	944 555 055 00 2LF	Burgundy	85		
	944 555 055 00 5MD	Can-can-red	85		
	944 555 055 00 1YD	White	85		
	944 555 055 00 9VD	Champagne	85		
	944 555 055 00 1DR	Black	86-		
	944 555 055 00 9RR	Brown/brown	86-		
	944 555 055 00 2FR	Light grey/light grey	86-		
	944 555 055 00 4JR	Burgundy/burgundy	86-		
	944 555 055 00 2MC	Can-can-red	86-		
	944 555 055 00 3YC	White	86-		
	944 555 055 00 4VC	Champagne	86-		
1	944 555 055 01	Floor mat	/LL	1	
	944 555 055 01 3BF	Black			
	944 555 055 01 8NF	Brown			
	944 555 055 01 4BF	Grey			
	944 555 055 01 2LF	Burgundy			
	944 555 055 01 5MD	Can-can-red			
	944 555 055 01 1YD	White			
	944 555 055 01 9VD	Champagne			
	944 555 055 01 1DR	Black			
	944 555 055 01 9RR	Brown			
	944 555 055 01 2FR	Light grey			
	944 555 055 01 4JR	Burgundy			
	944 555 055 01 2MC	Can-can-red			
	944 555 055 01 3YC	White			
	944 555 055 01 4VC	Champagne			
(1)	944 555 055 02	Floor mat	/LL 86-	1	
	944 555 055 02 4JR	Burgundy			
1	944 555 055 01	Floor mat	/LL	1	
	944 555 055 01 8FC	Silver-grey	88		
(2)	945 555 081 00	Lining	/LL /L 85	1	
	945 555 081 00 3BF	Black	85		
	945 555 081 00 8NF	Brown	85		
	945 555 081 00 4BF	Grey	85		
	945 555 081 00 2LF	Burgundy	85		
	945 555 081 00 5MD	Can-can-red	85		
	945 555 081 00 1YD	White	85		
	945 555 081 00 9VD	Champagne	85		
(2)	944 555 081 00	Lining	/LL /L	1	
	944 555 081 00 3BF	Black			
	944 555 081 00 8NF	Brown			
	944 555 081 00 4BF	Grey			
	944 555 081 00 2LF	Burgundy			
	944 555 081 00 5MD	Can-can-red			
	944 555 081 00 1YD	White			
	944 555 081 00 9VD	Champagne			
	944 555 081 00 1DR	Black	86-		
	944 555 081 00 9RR	Brown	86-		
	944 555 081 00 2FR	Light grey/light grey	86-		
	944 555 081 00 4JR	Burgundy	86-		
	944 555 081 00 2MC	Can-can-red	86-		
	944 555 081 00 3YC	White	86-		
	944 555 081 00 4VC	Champagne	86-		
2	944 555 082 00	Lining	/LL /R	1	
	944 555 082 00 3BF	Black	85		
	944 555 082 00 8NF	Brown	85		
	944 555 082 00 4BF	Grey	85		
	944 555 082 00 2LF	Burgundy	85		

Model: 944 85 Model life 1985>>1988

Pos	Part Number	Description	Remark	Qty	Model
	944 555 082 00 5MD	Can-can-red	85		
	944 555 082 00 1YD	White	85		
	944 555 082 00 9VD	Champagne	85		
	944 555 082 00 1DR	Black	86-		
	944 555 082 00 9RR	Brown	86-		
	944 555 082 00 2FR	Light grey/light grey	86-		
	944 555 082 00 4JR	Burgundy	86-		
	944 555 082 00 2MC	Can-can-red	86-		
	944 555 082 00 3YC	White	86-		
	944 555 082 00 4VC	Champagne	86-		
2	944 555 082 02	Lining	/LL /R	1	M593
	944 555 082 02 3BF	Black			
	944 555 082 02 8NF	Brown			
	944 555 082 02 4BF	Grey			
	944 555 082 02 2LF	Burgundy			
	944 555 082 02 5MD	Can-can-red			
	944 555 082 02 1YD	White			
	944 555 082 02 9VD	Champagne			
	944 555 082 02 1DR	Black			
	944 555 082 02 9RR	Brown			
	944 555 082 02 2FR	Light grey/light grey			
	944 555 082 02 4JR	Burgundy			
	944 555 082 02 2MC	Can-can-red			
	944 555 082 02 3YC	White			
	944 555 082 02 4VC	Champagne			
(2)	944 555 081 00	Lining	/LL /L	1	
	944 555 081 00 8FC	Silver-grey	88		
2	944 555 082 00	Lining	/LL /R	1	
	944 555 082 00 8FC	Silver-grey	88		
3	944 551 049 01	Frame	/LL -86	1	
3		Frame	/LL	1	
4	944 551 149 00	Foot support	/LL -86	1	
4	944 551 149 02	Foot support	/LL 87-	1	
4		Foot support	/LL	1	
5	N 013 971 3	Oval-head sheetmetal screw B 4,8 X 22		4	
6	901 423 368 00	Desk pad		4	
7	N 013 968 7	Tapping screw B 4,8 X 13		2	
7	900 143 097 01	Tapping screw B 4,8 X 13		2	
8	999 591 348 02	Speed nut B 4,8		2	
8	999 591 348 01	Speed nut B 4,8		2	
9	944 555 071 00	Floor mat	/LL	1	
	944 555 071 00 3BF	Black	85		
	944 555 071 00 8NF	Brown	85		
	944 555 071 00 4BF	Light grey	85		
	944 555 071 00 2LF	Burgundy	85		
	944 555 071 00 5MD	Can-can-red	85		
	944 555 071 00 1YD	White	85		
	944 555 071 00 9VD	Champagne	85		
	944 555 071 00 1DR	Black	86-		
	944 555 071 00 9RR	Brown	86-		
	944 555 071 00 2FR	Light grey/light grey	86-		
	944 555 071 00 4JR	Burgundy	86-		
	944 555 071 00 2MC	Can-can-red	86-		
	944 555 071 00 3YC	White	86-		
	944 555 071 00 4VC	Champagne	86-		
9	944 555 071 00 8FC	Silver-grey	88		
	944 555 071 02	Floor mat	/LL	1	
	944 555 071 02 3BF	Black	85		

Model: 944 85 Model life 1985>>1988

Pos	Part Number	Description	Remark	Qty	Model
	944 555 071 02 4BF	Light grey	85		
	944 555 071 02 2LF	Burgundy	85		
	944 555 071 02 5MD	Can-can-red	85		
	944 555 071 02 1YD	White	85		
	944 555 071 02 9VD	Champagne	85		
	944 555 071 02 9RR	Brown	86-		
	944 555 071 02 2FR	Light grey	86-		
	944 555 071 02 4JR	Burgundy	86-		
	944 555 071 02 2MC	Can-can-red	86-		
	944 555 071 02 3YC	White	86-		
	944 555 071 02 4VC	Champagne	86-		
	944 555 071 02 8FC	Silver-grey	88		
(10)	477 863 571 A	Lining	/L	1	
	477 863 571 A 3BF	Black	85		
	477 863 571 A 8NF	Brown	85		
	477 863 571 A 4BF	Grey	85		
	477 863 571 A 2LF	Burgundy	85		
	477 863 571 A 5MD	Can-can-red	85		
	477 863 571 A 1YD	White	85		
	477 863 571 A 9VD	Champagne	85		
	477 863 571 A 1DR	Black	86-		
	477 863 571 A 9RR	Brown	86-		
	477 863 571 A 2FR	Light grey	86-		
	477 863 571 A 4JR	Burgundy	86-		
	477 863 571 A 2MC	Can-can-red	86-		
	477 863 571 A 3YC	White	86-		
	477 863 571 A 4VC	Champagne	86-		
	477 863 571 A 8FC	Silver-grey	88		
10	477 863 572 A	Lining	/R	1	
	477 863 572 A 3BF	Black	85		
	477 863 572 A 8NF	Brown	85		
	477 863 572 A 4BF	Grey	85		
	477 863 572 A 2LF	Burgundy	85		
	477 863 572 A 5MD	Can-can-red	85		
	477 863 572 A 1YD	White	85		
	477 863 572 A 9VD	Champagne	85		
	477 863 572 A 1DR	Black	86-		
	477 863 572 A 9RR	Brown	86-		
	477 863 572 A 2FR	Light grey	86-		
	477 863 572 A 4JR	Burgundy	86-		
	477 863 572 A 2MC	Can-can-red	86-		
	477 863 572 A 3YC	White	86-		
	477 863 572 A 4VC	Champagne	86-		
	477 863 572 A 8FC	Silver-grey	88		
11	944 555 083 02	Side trim panel	/L	1	
	944 555 083 02 3BF	Black	85		
	944 555 083 02 8NF	Brown	85		
	944 555 083 02 4BF	Grey	85		
	944 555 083 02 2LF	Burgundy	85		
	944 555 083 02 5MD	Can-can-red	85		
	944 555 083 02 1YD	White	85		
	944 555 083 02 9VD	Champagne	85		
	944 555 083 02 1DR	Black	86-		
	944 555 083 02 9RR	Brown	86-		
	944 555 083 02 2FR	Light grey	86-		
	944 555 083 02 4JR	Burgundy	86-		
	944 555 083 02 2MC	Can-can-red	86-		
	944 555 083 02 3YC	White	86-		
	944 555 083 02 4VC	Champagne	86-		
	944 555 083 02 8FC	Silver-grey	88		
(11)	944 555 084 01	Side trim panel	/R	1	
	944 555 084 01 3BF	Black	85		
	944 555 084 01 8NF	Brown	85		

Model: 944 85 Model life 1985>>1988

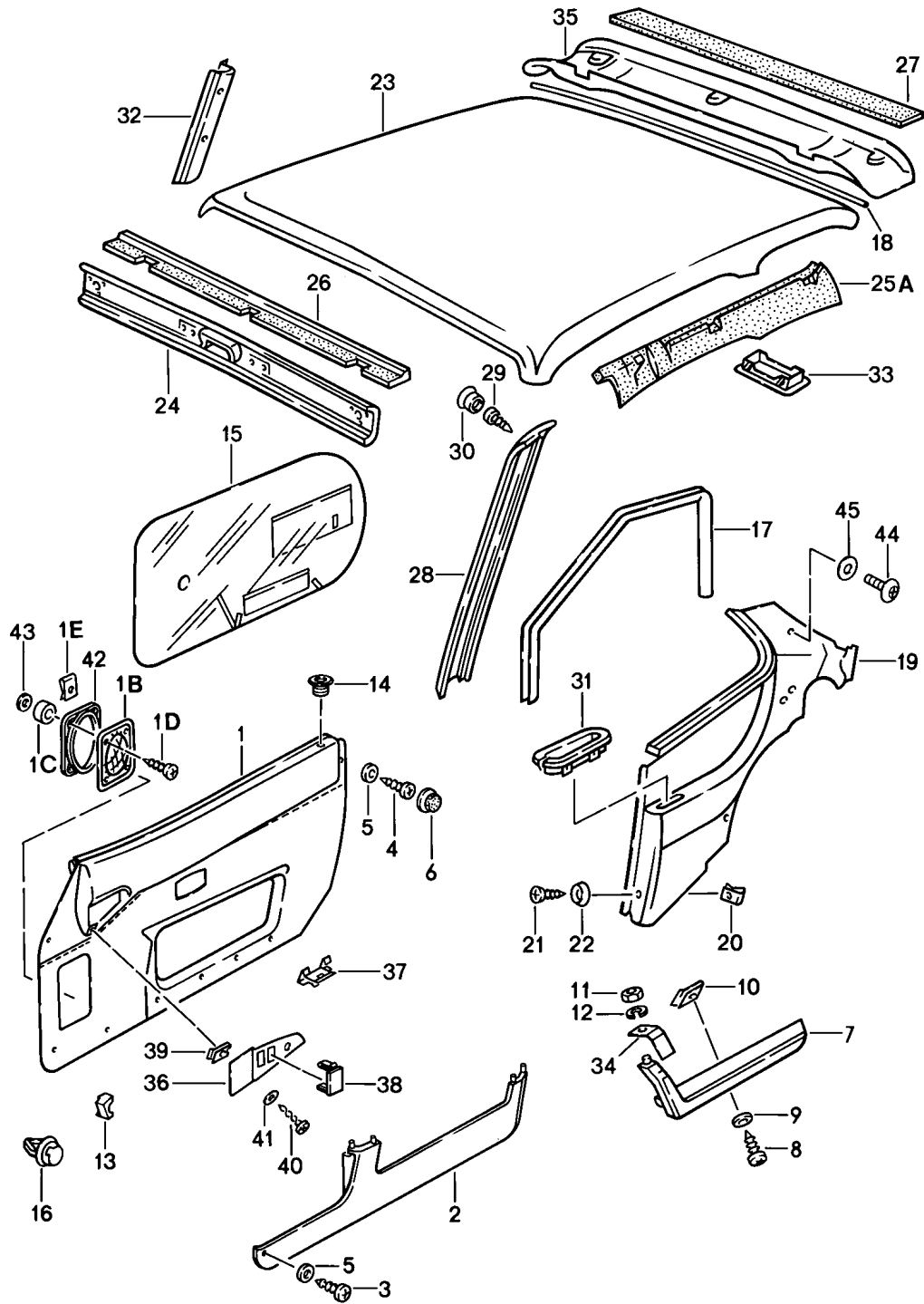
Pos	Part Number	Description	Remark	Qty	Model
	944 555 084 01 4BF	Grey	85		
	944 555 084 01 2LF	Burgundy	85		
	944 555 084 01 5MD	Can-can-red	85		
	944 555 084 01 1YD	White	85		
	944 555 084 01 9VD	Champagne	85		
	944 555 084 01 1DR	Black	86-		
	944 555 084 01 9RR	Brown	86-		
	944 555 084 01 2FR	Light grey	86-		
	944 555 084 01 4JR	Burgundy	86-		
	944 555 084 01 2MC	Can-can-red	86-		
	944 555 084 01 3YC	White	86-		
	944 555 084 01 4VC	Champagne	86-		
	944 555 084 01 8FC	Silver-grey	88		
11	944 555 083 03	Side trim panel	/L	1	M335
	944 555 083 03 3BF	Black	85		
	944 555 083 03 4BF	Grey	85		
	944 555 083 03 8NF	Brown	85		
	944 555 083 03 2LF	Burgundy	85		
	944 555 083 03 5MD	Can-can-red	85		
	944 555 083 03 1YD	White	85		
	944 555 083 03 9VD	Champagne	85		
	944 555 083 03 1DR	Black	86-		
	944 555 083 03 9RR	Brown	86-		
	944 555 083 03 2FR	Light grey	86-		
	944 555 083 03 4JR	Burgundy	86-		
	944 555 083 03 2MC	Can-can-red	86-		
	944 555 083 03 3YC	White	86-		
	944 555 083 03 4VC	Champagne	86-		
	944 555 083 03 8FC	Silver-grey	88		
(11)	944 555 084 02	Side trim panel	/R	1	M335
	944 555 084 02 3BF	Black	85		
	944 555 084 02 4BF	Grey	85		
	944 555 084 02 8NF	Brown	85		
	944 555 084 02 2LF	Burgundy	85		
	944 555 084 02 5MD	Can-can-red	85		
	944 555 084 02 1YD	White	85		
	944 555 084 02 9VD	Champagne	85		
	944 555 084 02 1DR	Black	86-		
	944 555 084 02 9RR	Brown	86-		
	944 555 084 02 2FR	Light grey	86-		
	944 555 084 02 4JR	Burgundy	86-		
	944 555 084 02 2MC	Can-can-red	86-		
	944 555 084 02 3YC	White	86-		
	944 555 084 02 4VC	Champagne	86-		
	944 555 084 02 8FC	Silver-grey	88		
12	944 555 063 03	Boot floor lining		1	
	944 555 063 03 3BF	Black	85		
	944 555 063 03 4BF	Grey	85		
	944 555 063 03 8NF	Brown	85		
	944 555 063 03 2LF	Burgundy	85		
	944 555 063 03 RS3	Can-can-red	85		
	944 555 063 03 RR7	White/brown	85		
	944 555 063 03 RR9	White/burgundy	85		
	944 555 063 03 RS1	Champagne/black	85		
	944 555 063 03 RS2	Champagne/brown	85		
	944 555 063 03 1DR	Black	86-		
	944 555 063 03 9RR	Brown	86-		
	944 555 063 03 2FR	Light grey	86-		
	944 555 063 03 4JR	Burgundy/burgundy	86-		
	944 555 063 03 RV8	Can-can-red	86-		
	944 555 063 03 RV3	White/brown	86-		
	944 555 063 03 RV4	White/black	86-		
	944 555 063 03 RV5	White/burgundy	86-		

Model: 944 85 Model life 1985>>1988

Pos	Part Number	Description	Remark	Qty	Model
	944 555 063 03 RV6	Champagne/black	86-		
	944 555 063 03 RV7	Champagne/brown	86-		
12	945 555 063 03	Boot floor lining		1	
	945 555 063 03 8FC	Silver-grey	88		
13	N 013 957 5	Oval-head sheetmetal screw B 3,5 X 9,5		6	
14	968 555 901 00	Set of fastening parts		6	
15	900 151 027 02	Washer 5,3		6	
15	900 151 027 03	Washer 5,3		6	
16	477 863 747	Clip		X	
	477 863 747 01C	Black			
	477 863 747 90V	Brown			
	477 863 747 4BF	Grey			
	477 863 747 9MM	Burgundy			
17	900 143 064 07	Tapping screw B 3,5 X 25		2	
18	N 011 521 3	Washer A 3,7 X 8		2	
19	999 703 176 40	Round buffer		2	
(20)	944 555 913 00	Floor mat with Logo	/LL /L	1	
	944 555 913 00 3BF	Black			
	944 555 913 00 8NF	Brown			
(20)	944 555 914 00	Floor mat with Logo	/LL /R	1	
	944 555 914 00 3BF	Black			
	944 555 914 00 8NF	Brown			
20	000 043 088 00	Floor mats 1 set	/V	1	
	000 043 088 00 1DR	Black			
	000 043 088 00 9RR	Brown			
	000 043 088 00 4JR	Burgundy			
	000 043 088 00 4BF	Light grey			
20	944 555 213 00	Floor mat Use also: POS.21	/LL /L 88	1	M757
(20)	944 555 214 00	Floor mat Use also: POS.21	/LL /R 88	1	M757
21	944 555 216 00	Fastening clip	88	4	M757
22	968 555 901 00	Set of fastening parts		6	
23		Set of fastening parts		6	
24	944 555 389 00	Cover	/LL 87-	1	M650
25	999 591 885 13	Push button Cap		6	
	999 591 885 13 041	Black			
	999 591 885 13 4BF	Grey			
	999 591 885 13 3MC	Burgundy			
	999 591 885 13 90V	Brown			
26	999 591 834 17	Snap fastener lower part Upper part		6	
27	999 591 836 17	Push button Lower part		6	
29	999 591 606 12	Tenax lower part		4	M757
32	999 591 837 40	Push button		2	
33	944 551 437 00	Sleeve		2	

Model: 944 85

Model life 1985>>1988



Model: 944 85 Model life 1985>>1988

Pos	Part Number	Description	Remark	Qty	Model
(1)	944 555 017 01	Door trim panel Rooflining Door trim panel Power windows Electric Leatherette	/L	1	M651
	944 555 017 01 NU1	Black			
	944 555 017 01 NU2	Brown			
	944 555 017 01 NU3	Black/light grey			
	944 555 017 01 NU4	Burgundy			
1	944 555 018 01	Door trim panel Power windows Electric Leatherette	/R	1	M651
	944 555 018 01 NU1	Black			
	944 555 018 01 NU2	Brown			
	944 555 018 01 NU3	Black/light grey			
	944 555 018 01 NU4	Burgundy			
(1)	944 555 017 03	Door trim panel Power windows Electric Leatherette	/L 87-	1	M490/651
	944 555 017 03 NU1	Black			
	944 555 017 03 NU2	Brown			
	944 555 017 03 NU3	Black/light grey			
	944 555 017 03 NU4	Burgundy			
(1)	944 555 018 03	Door trim panel Power windows Electric Leatherette	/R 87-	1	M490/651
	944 555 018 03 NU1	Black			
	944 555 018 03 NU2	Brown			
	944 555 018 03 NU3	Black/light grey			
	944 555 018 03 NU4	Burgundy			
(1)	944 555 017 01	Door trim panel Leatherette/ Porsche lettering cloth	/L	1	M651
	944 555 017 01 NU5	Black			
	944 555 017 01 NU6	Brown			
	944 555 017 01 NU7	Black/light grey			
	944 555 017 01 NU8	Burgundy			
1	944 555 018 01	Door trim panel Leatherette/ Porsche lettering cloth	/R	1	M651
	944 555 018 01 NU5	Black			
	944 555 018 01 NU6	Brown			
	944 555 018 01 NU7	Black/light grey			
	944 555 018 01 NU8	Burgundy			
(1)	944 555 017 03	Door trim panel Leatherette/ Porsche lettering cloth	/L 87-	1	M490/651
	944 555 017 03 NU5	Black			
	944 555 017 03 NU6	Brown			
	944 555 017 03 NU7	Black/light grey			
	944 555 017 03 NU8	Burgundy			
(1)	944 555 018 03	Door trim panel Leatherette/ Porsche lettering cloth	/R 87-	1	M490/651
	944 555 018 03 NU5	Black			
	944 555 018 03 NU6	Brown			
	944 555 018 03 NU7	Black/light grey			
	944 555 018 03 NU8	Burgundy			
(1)	944 555 017 01	Door trim panel	/L	1	M651

Model: 944 85 Model life 1985>>1988

Pos	Part Number	Description	Remark	Qty	Model
1	944 555 017 01 NU9	Leatherette/ Pin stripe flannel Black/anthracite			
	944 555 017 01 NW1	Brown-brown			
	944 555 017 01 NW2	Black/light grey			
	944 555 017 01 NW3	Burgundy-burgundy			
	944 555 018 01	Door trim panel	/R	1	M651
(1)	944 555 018 01 NU9	Leatherette/ Pin stripe flannel Black/anthracite			
	944 555 018 01 NW1	Brown-brown			
	944 555 018 01 NW2	Black/light grey			
	944 555 018 01 NW3	Burgundy-burgundy			
	944 555 017 03	Door trim panel	/L 87-	1	M490/651
(1)	944 555 017 03 NU9	Leatherette/ Pin stripe flannel Black/anthracite			
	944 555 017 03 NW1	Brown-brown			
	944 555 017 03 NW2	Black/light grey			
	944 555 017 03 NW3	Burgundy-burgundy			
	944 555 018 03	Door trim panel	/R 87-	1	M490/651
(1)	944 555 018 03 NU9	Leatherette/ Pin stripe flannel Black/anthracite			
	944 555 018 03 NW1	Brown-brown			
	944 555 018 03 NW2	Black/light grey			
	944 555 018 03 NW3	Burgundy-burgundy			
	944 555 017 01	Door trim panel	/L	1	M651
1	944 555 017 01 NW4	Leatherette/ Pin stripe velour Black-white			
	944 555 017 01 NW5	Brown-beige			
	944 555 017 01 NW7	Burgundy-white			
	944 555 017 01 RD9	Black/light grey	86-		
	944 555 018 01	Door trim panel	/R	1	M651
(1)	944 555 018 01 NW4	Leatherette/ Pin stripe velour Black-white			
	944 555 018 01 NW5	Brown-beige			
	944 555 018 01 NW7	Burgundy-white			
	944 555 018 01 RD9	Black/light grey	86-		
	944 555 017 03	Door trim panel	/L	1	M490/651
(1)	944 555 017 03 NW4	Leatherette/ Pin stripe velour Black-white			
	944 555 017 03 NW5	Brown-beige			
	944 555 017 03 NW7	Burgundy-white			
	944 555 017 03 RD9	Black/light grey			
	944 555 018 03	Door trim panel	/R	1	M490/651
(1)	944 555 018 03 NW4	Leatherette/ Pin stripe velour Black-white			
	944 555 018 03 NW5	Brown-beige			
	944 555 018 03 NW7	Burgundy-white			
	944 555 018 03 RD9	Black/light grey			
	944 555 017 01	Door trim panel	/L	1	M651
1	944 555 017 01 NW6	Power windows Electric Leatherette/ Pin stripe velour Light grey-white	85		
	944 555 018 01	Door trim panel	/R	1	M651
		Power windows			

Model: 944 85 Model life 1985>>1988

Pos	Part Number	Description	Remark	Qty	Model
(1)	944 555 018 01 NW6 944 555 017 01	Electric Leatherette/ Pin stripe velour Light grey-white Door trim panel Power windows	85 /L 88	1	M757
1	944 555 017 01 US9 944 555 018 01	Electric Leatherette/ Multicolour Grey Door trim panel Power windows	/R 88	1	M757
(1)	944 555 018 01 US9 944 555 017 03	Electric Leatherette/ Multicolour Grey Door trim panel Power windows	/L 88	1	M758
1	944 555 017 03 WR9 944 555 018 03	Electric Leatherette/ Multicolour Burgundy Door trim panel Power windows	/R 88	1	M758
1	944 555 018 03 WR9 944 555 017 50	Electric Leatherette/ Multicolour Burgundy Door trim panel Power windows	/L 86-	1	M981
	944 555 017 50 QD4	Electric Leather	86-		
	944 555 017 50 QD7	Black	86-		
	944 555 017 50 QD5	Brown	86-		
	944 555 017 50 QD6	Light grey	86-		
	944 555 017 50 QD6	Burgundy	86-		
	944 555 017 50 RB9	Can-can-red	86-		
	944 555 017 50 RC1	Black/pearl white	86-		
	944 555 017 50 RC2	Black/champagne	86-		
	944 555 017 50 RC3	Burgundy/pearl white	86-		
	944 555 017 50 RC4	Brown/champagne	86-		
	944 555 017 50 RC6	Brown/pearl white	86-		
(1)	944 555 018 50	Door trim panel Power windows Electric Leather	/R 86-	1	M981
	944 555 018 50 QD4	Black	86-		
	944 555 018 50 QD7	Brown	86-		
	944 555 018 50 QD5	Light grey	86-		
	944 555 018 50 QD6	Burgundy	86-		
	944 555 018 50 RB9	Can-can-red	86-		
	944 555 018 50 RC1	Black/pearl white	86-		
	944 555 018 50 RC2	Black/champagne	86-		
	944 555 018 50 RC3	Burgundy/pearl white	86-		
	944 555 018 50 RC4	Brown/champagne	86-		
	944 555 018 50 RC6	Brown/pearl white	86-		
(1)	944 555 017 51	Door trim panel Power windows Electric Leather	/L 86-	1	M490/981
	944 555 017 51 QD4	Black			
	944 555 017 51 QD7	Brown			
	944 555 017 51 QD5	Light grey			

Model: 944 85 Model life 1985>>1988

Pos	Part Number	Description	Remark	Qty	Model
	944 555 017 51 QD6	Burgundy			
	944 555 017 51 RB9	Can-can-red			
	944 555 017 51 RC1	Black/pearl white			
	944 555 017 51 RC2	Black/champagne			
	944 555 017 51 RC3	Burgundy/pearl white			
	944 555 017 51 RC4	Brown/champagne			
	944 555 017 51 RC6	Brown/pearl white			
(1)	944 555 018 51	Door trim panel	/R	1	M490/981
		Power windows			
		Electric			
		Leather	86-		
	944 555 018 51 QD4	Black			
	944 555 018 51 QD7	Brown			
	944 555 018 51 QD5	Light grey			
	944 555 018 51 QD6	Burgundy			
	944 555 018 51 RB9	Can-can-red			
	944 555 018 51 RC1	Black/pearl white			
	944 555 018 51 RC2	Black/champagne			
	944 555 018 51 RC3	Burgundy/pearl white			
	944 555 018 51 RC4	Brown/champagne			
	944 555 018 51 RC6	Brown/pearl white			
1B	477 867 081	Loudspeaker grille	-86	2	
		Loudspeaker			
	477 867 081 01C	Black			
	477 867 081 4RB	Brown			
	477 867 081 8CJ	Light grey	85		
	477 867 081 9MM	Burgundy			
	477 867 081 2DJ	Light grey	86-		
(1B)	944 555 149 00	Loudspeaker grille	87-	2	M651
	944 555 149 00 01C	Satin black			
(1B)	944 555 149 01	Loudspeaker grille	87-	2	M651
		Satin black			
1C	477 035 375	Bush		8	
1D	N 014 091 4	Rais. counters. h. tap. s.	-86	8	
		B 3,9 X 16			
1D	900 143 178 07	Oval-head sheetmetal screw	87-	8	M651
1E	N 100 472 01	Speed nut		8	
(1E)	999 507 071 00	Speed nut		2	
(2)	944 555 273 00	Shelf	/L	1	
	944 555 273 00 3BF	Black	85		
	944 555 273 00 8NF	Brown	85		
	944 555 273 00 4BF	Light grey	85		
	944 555 273 00 2LF	Burgundy	85		
	944 555 273 00 RR1	White/brown	85		
	944 555 273 00 RR2	White/black	85		
	944 555 273 00 RR3	White/burgundy	85		
	944 555 273 00 RR4	Champagne/black	85		
	944 555 273 00 RR5	Champagne/brown	85		
	944 555 273 00 RR6	Can-can red/black	85		
	944 555 273 00 1DR	Black	86-		
	944 555 273 00 9RR	Brown	86-		
	944 555 273 00 2FR	Light grey	86-		
	944 555 273 00 4JR	Burgundy	86-		
	944 555 273 00 RU6	White/brown	86-		
	944 555 273 00 RU7	White/black	86-		
	944 555 273 00 RU8	White/burgundy	86-		
	944 555 273 00 RU9	Champagne/black	86-		
	944 555 273 00 RV1	Brown/champagne	86-		
	944 555 273 00 RV2	Can-can red/black	86-		
	944 555 273 00 UR7	Silver-grey	88		
2	944 555 274 00	Shelf	/R	1	
	944 555 274 00 3BF	Black	85		
	944 555 274 00 8NF	Brown	85		

Model: 944 85 Model life 1985>>1988

Pos	Part Number	Description	Remark	Qty	Model
	944 555 274 00 4BF	Light grey	85		
	944 555 274 00 2LF	Burgundy	85		
	944 555 274 00 RR1	White/brown	85		
	944 555 274 00 RR2	White/black	85		
	944 555 274 00 RR3	White/burgundy	85		
	944 555 274 00 RR4	Champagne/black	85		
	944 555 274 00 RR5	Champagne/brown	85		
	944 555 274 00 RR6	Can-can red/black	85		
	944 555 274 00 1DR	Black	86-		
	944 555 274 00 9RR	Brown	86-		
	944 555 274 00 2FR	Light grey	86-		
	944 555 274 00 4JR	Burgundy	86-		
	944 555 274 00 RU6	White/brown	86-		
	944 555 274 00 RU7	White/black	86-		
	944 555 274 00 RU8	White/burgundy	86-		
	944 555 274 00 RU9	Champagne/black	86-		
	944 555 274 00 RV1	Brown/champagne	86-		
	944 555 274 00 RV2	Can-can red/black	86-		
	944 555 274 00 UR7	Silver-grey	88		
(2)	944 555 043 00	Shelf	/L 87-	1	M490
	944 555 043 00 1DR	Black			
	944 555 043 00 9RR	Brown			
	944 555 043 00 2FR	Light grey			
	944 555 043 00 4JR	Burgundy			
	944 555 043 00 RU6	White/brown			
	944 555 043 00 RU7	White/black			
	944 555 043 00 RU8	White/burgundy			
	944 555 043 00 RU9	Champagne/black			
	944 555 043 00 RV1	Champagne/brown			
(2)	944 555 043 00 RV2	Can-can red/black			
	944 555 044 00	Shelf	/R 87-	1	M490
	944 555 044 00 1DR	Black			
	944 555 044 00 9RR	Brown			
	944 555 044 00 2FR	Light grey			
	944 555 044 00 4JR	Burgundy			
	944 555 044 00 RU6	White/brown			
	944 555 044 00 RU7	White/black			
	944 555 044 00 RU8	White/burgundy			
	944 555 044 00 RU9	Champagne/black			
	944 555 044 00 RV1	Champagne/brown			
	944 555 044 00 RV2	Can-can red/black			
3	N 013 962 2	Oval-head sheetmetal screw B 3,9 X 16		6	
4	311 867 167	Oval-head sheetmetal screw 4,2		4	
5	900 151 028 02	Washer 4,3		10	
5	900 151 028 01	Washer 4,3		10	
6	311 867 169	Cap		4	
	311 867 169 01C	Black			
	311 867 169 90V	Brown			
	311 867 169 9MM	Burgundy			
(7)	477 867 171	Armrest	/L	1	
	477 867 171 041	Black			
	477 867 171 89S	Brown			
	477 867 171 5FA	Light grey			
	477 867 171 3MA	Burgundy			
7	477 867 172	Armrest	/R	1	
	477 867 172 041	Black			
	477 867 172 89S	Brown			
	477 867 172 5FA	Light grey			
	477 867 172 3MA	Burgundy			

Model: 944 85 Model life 1985>>1988

Pos	Part Number	Description	Remark	Qty	Model
(7)	944 555 075 50	Armrest Leather	/L	1	
	944 555 075 50 1AJ	Black			
	944 555 075 50 4RB	Brown			
	944 555 075 50 1FW	Light grey			
	944 555 075 50 7LD	Burgundy			
	944 555 075 50 80S	Can-can-red			
	944 555 075 50 8YD	Pearl white			
	944 555 075 50 1VD	Champagne			
(7)	944 555 076 50	Armrest Leather	/R	1	
	944 555 076 50 1AJ	Black			
	944 555 076 50 4RB	Brown			
	944 555 076 50 1FW	Light grey			
	944 555 076 50 7LD	Burgundy			
	944 555 076 50 80S	Can-can-red			
	944 555 076 50 8YD	Pearl white			
	944 555 076 50 1VD	Champagne			
8	900 143 046 02	Oval-head sheetmetal screw B 4,8 X 16		6	
8	900 143 046 01	Oval-head sheetmetal screw B 4,8 X 16		6	
9	N 012 222 4	Spring washer A 5		6	
10	999 591 722 02	Speed nut B 4,8 X 19,8		6	
11	900 910 010 09	Lock nut M 6		2	
12	N 011 524 7	Washer 6		2	
12	N 011 524 27	Washer 6		2	
(13)	944 555 449 00	Mounting	/L	1	
13	944 555 450 00	Mounting	/R	1	
14	928 555 569 02	Guide bush		2	
(15)	944 555 177 00	Sealing film	/L	1	
(15)	944 555 177 05	Sealing film	/L	1	
15	944 555 178 00	Sealing film	/R	1	
15	944 555 178 05	Sealing film	/R	1	
16	823 867 299	Clip		27	
(17)	944 555 031 01	Door seal	/L	1	
(17)	944 555 032 01	Door seal	/R	1	
18	477 867 543	Roof strut		3	
19	944 555 021 00	Side trim panel F >>94GN4 52785 F >>95GN1 51432	/L	1	944 TURBO
	944 555 021 00 05T	Black			
	944 555 021 00 NX3	Brown			
	944 555 021 00 5LX	Burgundy			
(19)	944 555 022 00	Side trim panel F >>94GN4 52785 F >>95GN1 51432	/R	1	944 TURBO
	944 555 022 00 05T	Black			
	944 555 022 00 NX3	Brown			
	944 555 022 00 5LX	Burgundy			
19	944 555 021 01	Side trim panel F >>94GN4 52785 F >>95GN1 51432	/L	1	M186 944 TURBO
	944 555 021 01 05T	Black			
	944 555 021 01 NX3	Brown			
	944 555 021 01 5LX	Burgundy			
(19)	944 555 022 01	Side trim panel F >>94GN4 52785	/R	1	M186 944

Model: 944 85 Model life 1985>>1988

Pos	Part Number	Description	Remark	Qty	Model
		F >>95GN1 51432			TURBO
	944 555 022 01 05T	Black			
	944 555 022 01 NX3	Brown			
	944 555 022 01 5LX	Burgundy			
(19)	944 555 021 08	Side trim panel	/L	1	M186 944 TURBO
		F 94GN4 52786>>			
		F 95GN1 51433>>			
	944 555 021 08 05T	Black			
	944 555 021 08 NX3	Brown			
	944 555 021 08 5LX	Burgundy			
(19)	944 555 021 07	Side trim panel	/L	1	944 TURBO
		F 94GN4 52786>>			
		F 95GN1 51433>>			
	944 555 021 07 05T	Black			
	944 555 021 07 NX3	Brown			
	944 555 021 07 5LX	Burgundy			
(19)	944 555 021 09	Side trim panel	/L 87-	1	M490
	944 555 021 09 05T	Black			
	944 555 021 09 NX3	Brown			
	944 555 021 09 5LX	Burgundy			
19	944 555 022 08	Side trim panel	/R	1	M186 944 TURBO
		F 94GN4 52786>>			
		F 95GN1 51433>>			
	944 555 022 08 05T	Black			
	944 555 022 08 NX3	Brown			
	944 555 022 08 5LX	Burgundy			
19	944 555 022 07	Side trim panel	/R	1	944 TURBO
		F 94GN4 52786>>			
		F 95GN1 51433>>			
	944 555 022 07 05T	Black			
	944 555 022 07 NX3	Brown			
	944 555 022 07 5LX	Burgundy			
(19)	944 555 022 09	Side trim panel	/R 87-	1	M490
	944 555 022 09 05T	Black			
	944 555 022 09 NX3	Brown			
	944 555 022 09 5LX	Burgundy			
20	N 015 438 1	Speed nut		2	
		B 3,5 X 16,5			
21	N 014 087 5	Oval-head sheetmetal screw		4	
		B 3,5 X 16			
22	N 011 578 1	Cone washer		4	
		3,7			
23	477 867 503	Rooflining		1	
	477 867 503 05T	Black			
	477 867 503 4RB	Brown			
	477 867 503 8LC	Burgundy			
(23)	944 555 519 00	Rooflining		1	M650
	944 555 519 00 05T	Black			
	944 555 519 00 4RB	Brown			
	944 555 519 00 5LX	Burgundy			
24	944 555 037 00	Lining	/V	1	
		Roof frame			
	944 555 037 00 05T	Black			
	944 555 037 00 4RB	Brown			
	944 555 037 00 3MX	Burgundy	-87		
	944 555 037 00 7MW	Burgundy	88-		
25A	944 555 115 00	Roof frame padding	/L	1	
(25A)	944 555 116 00	Roof frame padding	/R	1	
26	944 564 531 01	Roof frame padding	/V	1	M650
27	944 555 533 00	Roof frame padding	/H	1	M650
28	944 555 053 00	Lining	/L	1	
	944 555 053 00 05T	Black			
	944 555 053 00 4RB	Brown			

Model: 944 85 Model life 1985>>1988

Pos	Part Number	Description	Remark	Qty	Model
(28)	944 555 053 00 3MX	Burgundy	-87	1	
	944 555 053 00 7MW	Burgundy	88-		
	944 555 054 00	Lining	/R		
	944 555 054 00 05T	Windscreen frame			
	944 555 054 00 05T	Black			
29	944 555 054 00 4RB	Brown		6	
	944 555 054 00 3MX	Burgundy	-87		
	944 555 054 00 7MW	Burgundy	88-		
	N 013 962 2	Oval-head sheetmetal screw			
		B 3,9 X 16			
30	914 552 233 10	Filler piece		6	
	914 552 233 10 01C	Black			
	914 552 233 10 90V	Brown			
	914 552 233 10 9MM	Burgundy			
30	914 552 233 10	Filler piece		6	
	914 552 233 10 01C	Black			
31	477 867 653	Rosette		2	
32	477 867 655	Lining	/L	1	
	477 867 655 05T	Black			
	477 867 655 4RB	Brown			
	477 867 655 5LX	Burgundy			
	477 867 656	Lining	/R		
(32)	477 867 656 05T	Black		1	
	477 867 656 4RB	Brown			
	477 867 656 5LX	Burgundy			
	477 867 923 A	Cap			
	477 867 923 A 01C	Black			
33	477 867 923 A 89S	Brown		2	
	477 867 923 A 9MM	Burgundy			
	477 867 153	Fastening hook	/L		
(34)	477 867 153	Fastening hook	/L	1	
34	477 867 154	Hook	/R	1	
35	944 555 041 00	Lining	/H	1	M650 944 TURBO
		F >>94GN4 57874			
		F >>95GN1 54211			
	944 555 041 00 05T	Black			
	944 555 041 00 4RB	Brown			
	944 555 041 00 5LX	Burgundy			
	944 555 041 01	Lining	/H		
	944 555 041 01 05T	Black			
	944 555 041 01 4RB	Brown			
	944 555 041 01 5LX	Burgundy			
35	944 555 041 02	Lining	/H	1	M650
	944 555 041 02 05T	Black			
		Surface is different			
(36)	944 555 271 00	Cover	/LL /L	1	
36	944 555 272 01	Cover	/LL /R	1	
37	944 555 437 00	Clamp		2	
38	951 613 255 00	Cover		X	
	951 613 255 00 1DB	Black			
39	N 100 509 02	Speed nut		4	
40	N 013 959 3	Oval-head sheetmetal screw		4	
		B 3,5 X 16			
40	900 143 016 02	Oval-head sheetmetal screw		4	
		B 3,5 X 16			
41	N 011 554 6	Washer		4	
		3,7			
42	944 555 159 00	Frame		2	M651
43	900 025 002 02	Washer		8	M651
43	900 025 002 03	Washer		8	M651
44	211 857 785 A	Stopper		2	
	211 857 785 A 01C	Black			
(44)	999 703 403 40	Stopper		2	
		Black			

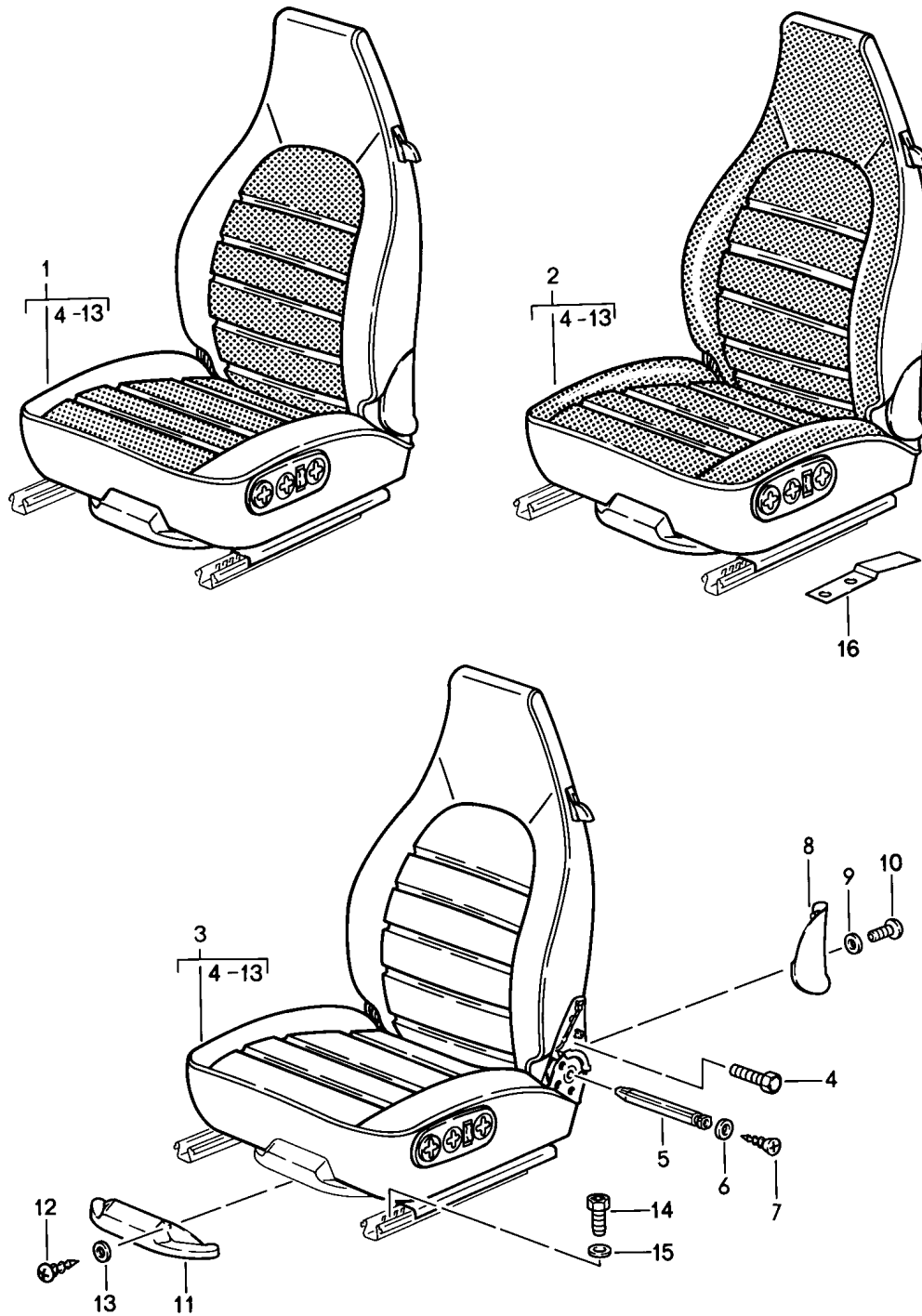
Model: 944 85

Model life 1985>>1988

Pos	Part Number	Description	Remark	Qty	Model
<p>45 (45)</p>	<p>111 857 795 999 703 403 40</p>	<p>Comprising: Pos 44 + 45 Cover disc Stopper besteht aus: Pos 44+45</p>		<p>2 2</p>	

Model: 944 85

Model life 1985>>1988



Model: 944 85

Model life 1985>>1988

Pos	Part Number	Description	Remark	Qty	Model
-	PCG 043 204 90 PCG 043 204 90 2CZ	Seat Complete Group 8/08/00 - 8/08/55 See group 8/04/00 - 8/04/56 Catalogue STZ 18 Cloth PORSCHE logo Black Pieces 2000 MM X 1590 MM		1	

Model: 944 85

Model life 1985>>1988



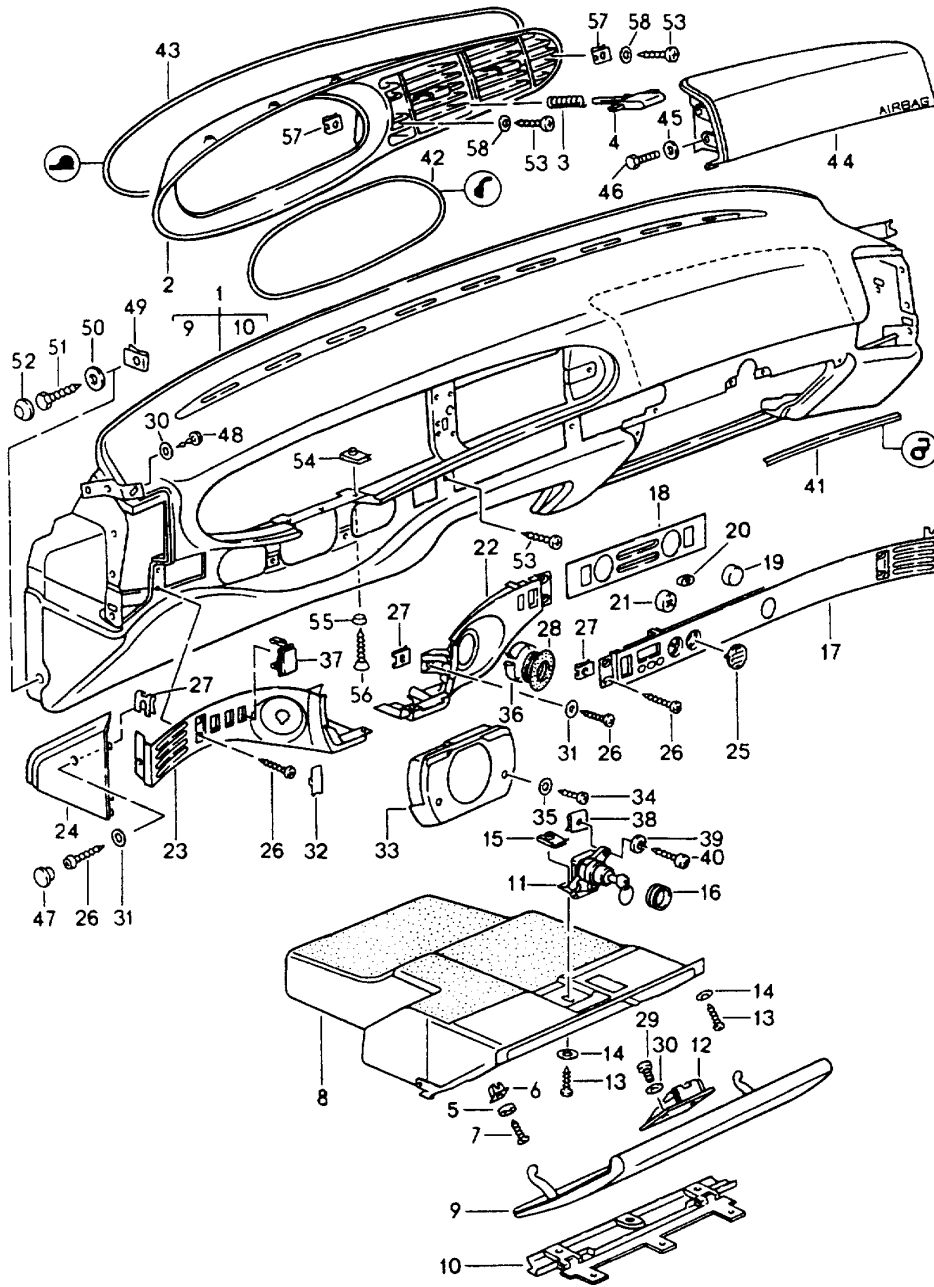
Model: 944 85

Model life 1985>>1988

Pos	Part Number	Description	Remark	Qty	Model
-	PCG 043 204 90 PCG 043 204 90 2CZ	Cloth Pieces Cloth PORSCHE logo Black Pieces 2000 MM X 1500 MM		1	

Model: 944 85

Model life 1985>>1988



Model: 944 85 Model life 1985>>1988

Pos	Part Number	Description	Remark	Qty	Model
1	944 552 085 00	Dashbord trim			
	944 552 085 00	Dashbord	/LL	1	
	944 552 085 00 NW8	Black			
	944 552 085 00 NW9	Brown			
	944 552 085 00 NX1	Black/light grey			
	944 552 085 00 NX2	Burgundy	-87		
	944 552 085 00 UR3	Burgundy	88-		
(1)	944 552 085 20	Dashbord trim	87-	1	M562/563
	944 552 085 20 NW8	Black			
	944 552 085 20 NW9	Brown			
	944 552 085 20 NX1	Black/light grey			
	944 552 085 20 NX2	Burgundy	-87		
	944 552 085 20 UR3	Burgundy	88-		
1	944 552 085 50	Dashbord	/LL 86-	1	M981
		Leather	86-		
	944 552 085 50 QE6	Black			
	944 552 085 50 RB1	Brown			
	944 552 085 50 QE4	Black/light grey			
	944 552 085 50 NY4	Burgundy	-87		
	944 552 085 50 US7	Burgundy	88-		
	944 552 085 50 RB2	Can-can red/black			
	944 552 085 50 RB3	Black/pearl white			
	944 552 085 50 RB4	Black/champagne			
	944 552 085 50 RB5	Burgundy/pearl white			
	944 552 085 50 RB6	Cadbury brown/champagne			
	944 552 085 50 RB8	Cadbury brown/pearl white			
(1)	944 552 085 51	Dashbord	87-	1	M562/981
		Leather	86-		
	944 552 085 51 QE6	Black			
	944 552 085 51 RB1	Brown			
	944 552 085 51 QE4	Black/light grey			
	944 552 085 51 NY4	Burgundy	-87		
	944 552 085 51 US7	Burgundy	88-		
	944 552 085 51 RB2	Can-can red/black			
	944 552 085 51 RB3	Black/pearl white			
	944 552 085 51 RB4	Black/champagne			
	944 552 085 51 RB5	Burgundy/pearl white			
	944 552 085 51 RB6	Cadbury brown/champagne			
	944 552 085 51 RB8	Cadbury brown/pearl white			
2	944 552 023 00	Dashbord trim	/LL	1	
3	944 572 421 00	Spring		1	
4	944 572 419 00	Knob		1	
5	944 552 259 00	Plug		2	
6	999 591 679 40	Special nut		2	
7	N 902 662 01	Combination tapping screw B 3,5 X 16		2	
7	PCG 902 662 01	Combination tapping screw B 4,2 X 16		2	
(8)	944 552 049 01	Glove compartment	/LL	1	M573
(8)	944 552 049 20	Glove compartment	87-	1	M562
(8)	944 552 049 21	Glove compartment	87-	1	M562/573
9	944 552 123 00	Glove compartment cover	/LL	1	
	944 552 123 00 05T	Black			
	944 552 123 00 4RB	Brown			
	944 552 123 00 4DY	Light grey			
	944 552 123 00 5LX	Burgundy			
(9)	944 552 123 20	Glove compartment cover	87-	1	M562
	944 552 123 20 05T	Black			
	944 552 123 20 4RB	Brown			
	944 552 123 20 4DY	Light grey			
	944 552 123 20 5LX	Burgundy			
9	944 552 123 50	Glove compartment cover	/LL 86-	1	M981
		Leather	86-		

Model: 944 85 Model life 1985>>1988

Pos	Part Number	Description	Remark	Qty	Model
	944 552 123 50 1AJ	Black	86-		
	944 552 123 50 4RB	Brown	86-		
	944 552 123 50 1FW	Light grey	86-		
	944 552 123 50 7LD	Burgundy	86-		
	944 552 123 50 80S	Can-can-red	86-		
	944 552 123 50 8YD	Pearl white	86-		
	944 552 123 50 1VD	Champagne	86-		
(9)	944 552 123 51	Glove compartment cover		1	M562/981
		Leather	86-		
	944 552 123 51 1AJ	Black			
	944 552 123 51 4RB	Brown			
	944 552 123 51 1FW	Light grey			
	944 552 123 51 7LD	Burgundy			
	944 552 123 51 80S	Can-can-red			
	944 552 123 51 8YD	Pearl white			
	944 552 123 51 1VD	Champagne			
10	928 552 055 03	Hinge		1	
11	944 538 951 00	Push-button lock	-86	1	
		W/o stipulated lock number			
(11)	944 538 951 02	Twist lock	87-	1	
		W/o stipulated lock number			
(11)	944 538 951 01	Push-button lock	-86	1	
		with stipulated lock number			
(11)	944 538 951 03	Twist lock	87-	1	
		with stipulated lock number			
12	944 538 061 21	Closing element	-86	1	
(12)		Closing element		1	
		Twist lock			
13	N 013 958 14	Tapping screw		1	
		3,5 X 13			
14	N 011 663 4	Washer		1	
		B 3,7			
15	999 591 349 02	Speed nut		1	
		B 3,5			
16	944 538 529 00	Sealing ring		1	
		Glove compartment lock			
(16)	944 552 585 00	Retaining ring	87-	1	
17	944 552 436 00	Strip for switches	/LL /R	1	
22	944 552 431 00	Strip for switches	/LL	1	
23	944 552 429 00	Strip for switches	/LL /L	1	
24	944 552 083 00	Trim cover	/L	1	
	944 552 083 00 1DB	Black			
(24)	944 552 084 00	Trim cover	/R	1	
	944 552 084 00 1DB	Black			
25	944 552 451 00	Rosette		1	
		Interior sensor			
26	N 013 959 3	Oval-head sheetmetal screw		4	
		3,5 X 16			
26	900 143 016 02	Oval-head sheetmetal screw		4	
		3,5 X 16			
26	N 013 959 3	Oval-head sheetmetal screw		4	
		3,5 X 16			
26	900 143 016 02	Oval-head sheetmetal screw		4	
		3,5 X 16			
27	N 015 438 1	Speed nut		2	
		B 4,8 X 16			
28	944 552 447 00	Cover		1	
		Ignition starter lock			
29	N 014 128 13	Oval-head screw		2	
		M 5 X 8			
30	N 011 665 10	Washer		2	
		B 5,3			
31	N 011 554 6	Washer		1	

Model: 944 85 Model life 1985>>1988

Pos	Part Number	Description	Remark	Qty	Model
32	944 552 449 00	B 3,7 DIN 433 Cover	/L	1	
(32)	944 552 450 00	Cover	/R	1	
		Strip for switches			
33	944 552 073 00	Lining		1	
	944 552 073 00 1DB	Black			
(33)	944 552 073 01	Lining		1	M454
	944 552 073 01 1DB	Black			
(33)	944 552 273 20	Lining	87-	1	M562
	944 552 273 20 1DB	Black			
(33)	944 552 373 20	Boot	87-	1	M562
	944 552 373 20 01C	Black			
(33)	944 552 373 21	Boot	87-	1	M454/562
	944 552 373 21 01C	Black			
34	999 073 047 02	Tapping screw B 3,5 X 9,5		2	
35	N 011 554 6	Washer 3,7		2	
36	944 552 452 00	Clip		1	
37	944 613 257 00	Cover	/LL	1	
37		Cover	/LL	1	
	944 613 257 00 1DB	Black			
38	999 591 763 02	Speed nut B 4,8		3	
		Push-button lock			
(38)	999 591 777 02	Speed nut B 4,8		3	M562
		Twist lock			
39	N 011 556 2	Washer 5,3		3	
40	N 013 975 4	Oval-head sheetmetal screw B 4,8 X 19		3	
		Push-button lock			
(40)	900 143 046 02	Oval-head sheetmetal screw B 4,8 X 16		3	M562
		Twist lock			
(40)	900 143 046 01	Oval-head sheetmetal screw B 4,8 X 16		3	M562
		Twist lock			
41	944 552 035 00	Gasket		1	
42	999 911 342 40	Piping		1	
		Dashboard trim Inner			
43	999 911 320 40	Piping		1	
		Dashboard trim Outer			
44	944 552 385 00	Lid		1	M562
	944 552 385 00 05T	Black			
	944 552 385 00 1KX	Marine blue			
	944 552 385 00 7MW	Burgundy			
	944 552 385 00 7YG	Cobalt blue			
	944 552 385 00 9WH	Classic grey			
45	900 151 006 09	Washer B 6,4		4	M562
46	999 217 020 02	Hexagon-head bolt M 6 X 10		4	M562
		Micro-self-locking			
46	999 217 020 01	Hexagon-head bolt M 6 X 10		4	M562
		Micro-self-locking			
47	944 552 767 00	Cap		2	
	944 552 767 00 01C	Black			
48	N 013 968 7	Tapping screw		2	

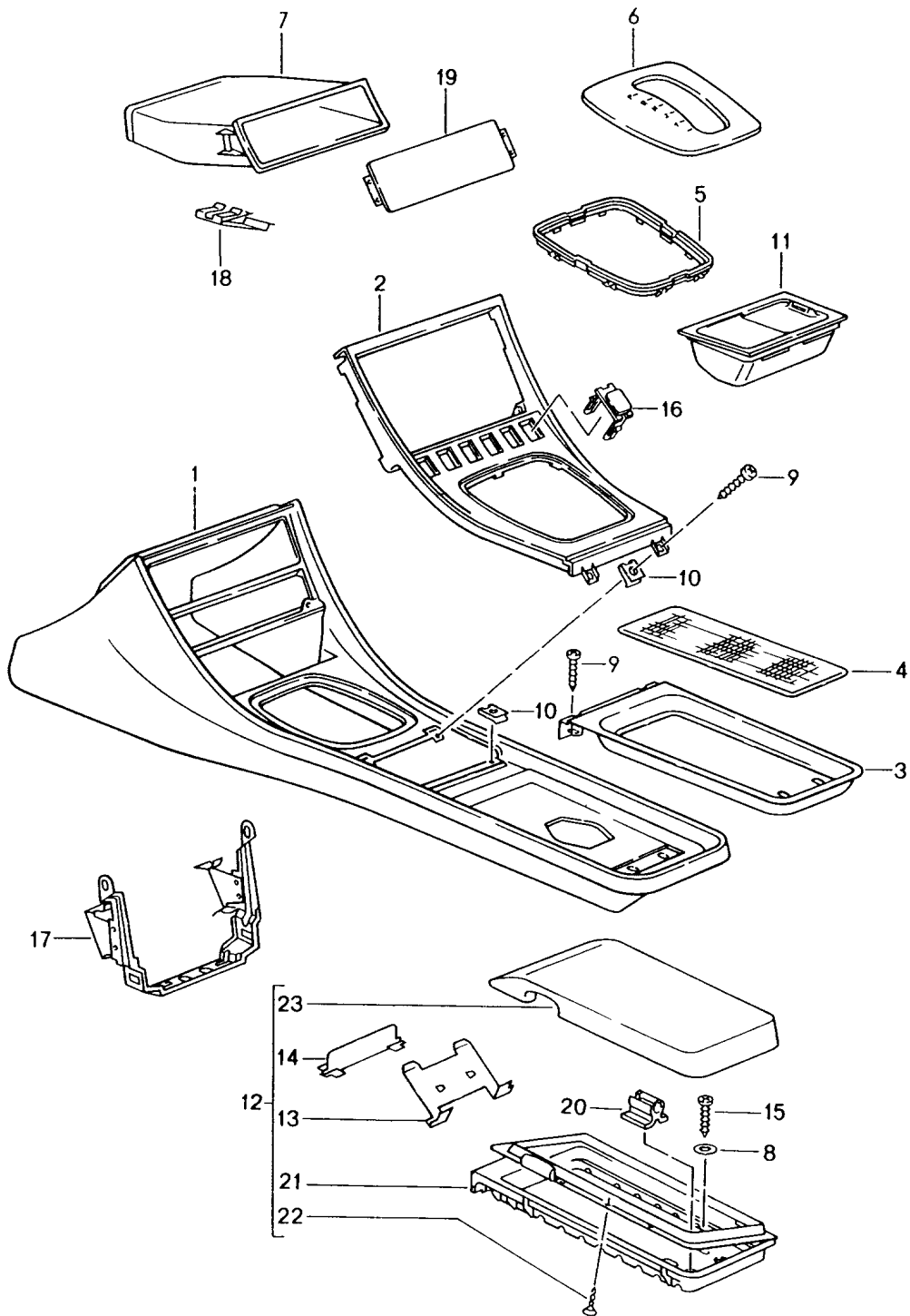
Model: 944 85

Model life 1985>>1988

Pos	Part Number	Description	Remark	Qty	Model
48	900 143 097 01	B 4,2 X 13 Tapping screw		2	
49	N 015 449 1	B 4,2 X 13 Speed nut		2	
50	999 025 167 07	B 6,3 Washer		2	
51	900 187 123 07	B 7,4 Tapping screw		2	
52	928 555 383 02	B 6,3 X 22 Cap		2	
53	928 555 383 02 70B	Black			
53	N 013 959 3	Oval-head sheetmetal screw 3,5 X 16		10	
53	900 143 016 02	Oval-head sheetmetal screw 3,5 X 16		10	
54	999 591 733 07	Speed nut 3,5		2	
55	N 100 401 02	Cone washer B 4,2		2	
56	900 145 070 07	Tapping screw 3,5 X 19		2	
57	N 015 438 1	Speed nut 3,5		3	
58	N 011 554 6	Washer 3,7		3	

Model: 944 85

Model life 1985>>1988



Model: 944 85 Model life 1985>>1988

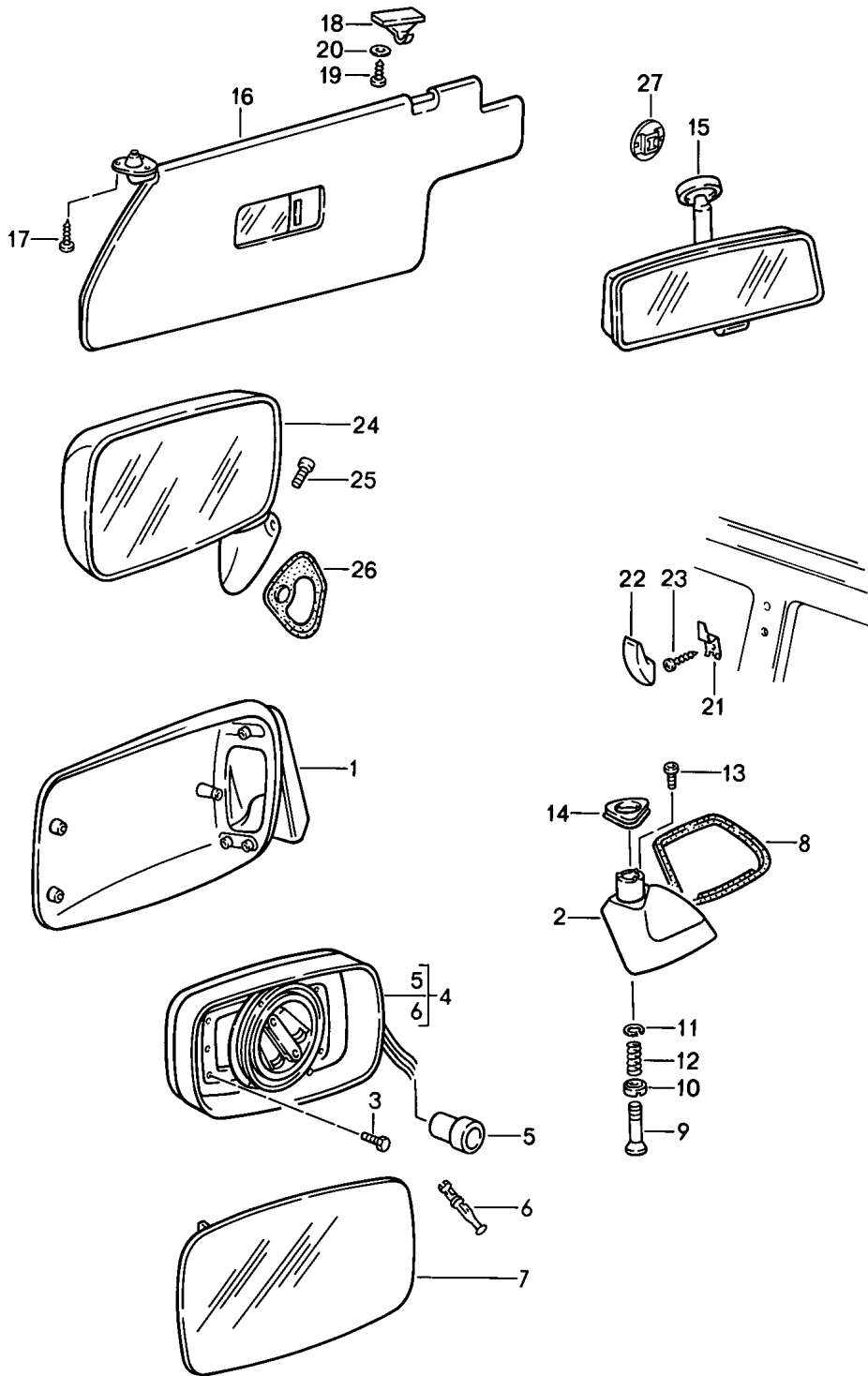
Pos	Part Number	Description	Remark	Qty	Model
1	944 552 051 00	Cassette box			
		Centre console			
	944 552 051 00 05T	Black		1	
	944 552 051 00 4RB	Brown			
	944 552 051 00 4DY	Light grey			
	944 552 051 00 5LX	Burgundy			
(1)	944 552 051 50	Centre console	86-	1	M981
		Leather			
	944 552 051 50 1AJ	Black			
	944 552 051 50 4RB	Brown			
	944 552 051 50 1FW	Light grey			
	944 552 051 50 7LD	Burgundy			
	944 552 051 50 80S	Can-can-red			
	944 552 051 50 8YD	Pearl white			
	944 552 051 50 1VD	Champagne			
2	944 552 117 00	Covering frame		1	
(2)	944 552 117 01	Covering frame	/LL	1	M249
3	944 552 155 00	Tray		1	
		Centre console			
4	944 552 161 00	Insert		1	
5	944 552 257 00	Frame		1	
(5)	944 552 517 00	Frame		1	M249
6	944 552 527 00	Cover		1	M249
7	944 552 157 00	Shelf		1	
	944 552 157 00 1DB	Black			
8	900 151 028 07	Washer		2	
		B 4,3			
9	N 013 958 14	Tapping screw		6	
		3,5 X 13			
10	999 591 349 02	Speed nut		4	
11	944 552 171 00	Ashtray		1	
12	944 552 063 00	Cassette box	/LL	1	
	944 552 063 00 05T	Black			
	944 552 063 00 4RB	Brown			
	944 552 063 00 4DY	Light grey			
	944 552 063 00 5LX	Burgundy			
12	944 552 063 50	Cassette box	/LL 86-	1	
		Leather			
	944 552 063 50 1AJ	Black			
	944 552 063 50 4RB	Brown			
	944 552 063 50 1FW	Light grey			
	944 552 063 50 7LD	Burgundy			
	944 552 063 50 80S	Can-can-red	86-		
	944 552 063 50 8YD	Pearl white	86-		
	944 552 063 50 1VD	Champagne	86-		
	944 552 063 50 5NW	Wild buffalo	86-		
13	928 555 731 02	Cassette rack		1	
	928 555 731 02 01C	Satin black			
14	928 555 741 02	Partition panel		1	
15	N 902 663 01	Oval-head sheetmetal screw		2	
		4,2 X 25			
16	944 613 256 00	Cover		1	
		Fader			
(16)	944 613 259 01	Cover		5	
		Switch			
17	944 552 067 01	Support	-86	1	
17	944 552 067 02	Support	87-	1	
18	944 552 557 00	Spring clamp		2	
19	944 552 061 00	Cover		1	
19	944 552 261 01	Cover		1	
	944 552 261 01 1DB	Black			
19	944 552 261 02	Cover		1	

Model: 944 85 Model life 1985>>1988

Pos	Part Number	Description	Remark	Qty	Model
21	944 552 261 02 1DB	Black			
	944 552 553 01	Frame	/LL	1	
		Cassette box			
22	944 552 553 01 01C	Black			
	900 144 017 07	Tapping screw 2,9 X 13		8	
23	944 552 165 00	Lid	/LL	1	
		Leatherette			
	944 552 165 00 05T	Black			
	944 552 165 00 4RB	Brown			
23	944 552 165 00 4DY	Light grey			
	944 552 165 00 5LX	Burgundy			
	944 552 165 50	Lid	/LL	1	
		Leather			
	944 552 165 50 1AJ	Black			
	944 552 165 50 4RB	Brown			
	944 552 165 50 1FW	Light grey			
	944 552 165 50 7LD	Burgundy			
	944 552 165 50 80S	Can-can-red			
	944 552 165 50 8YD	Pearl white			
	944 552 165 50 1VD	Champagne			
944 552 165 50 5NW	Wild buffalo				

Model: 944 85

Model life 1985>>1988



Model: 944 85 Model life 1985>>1988

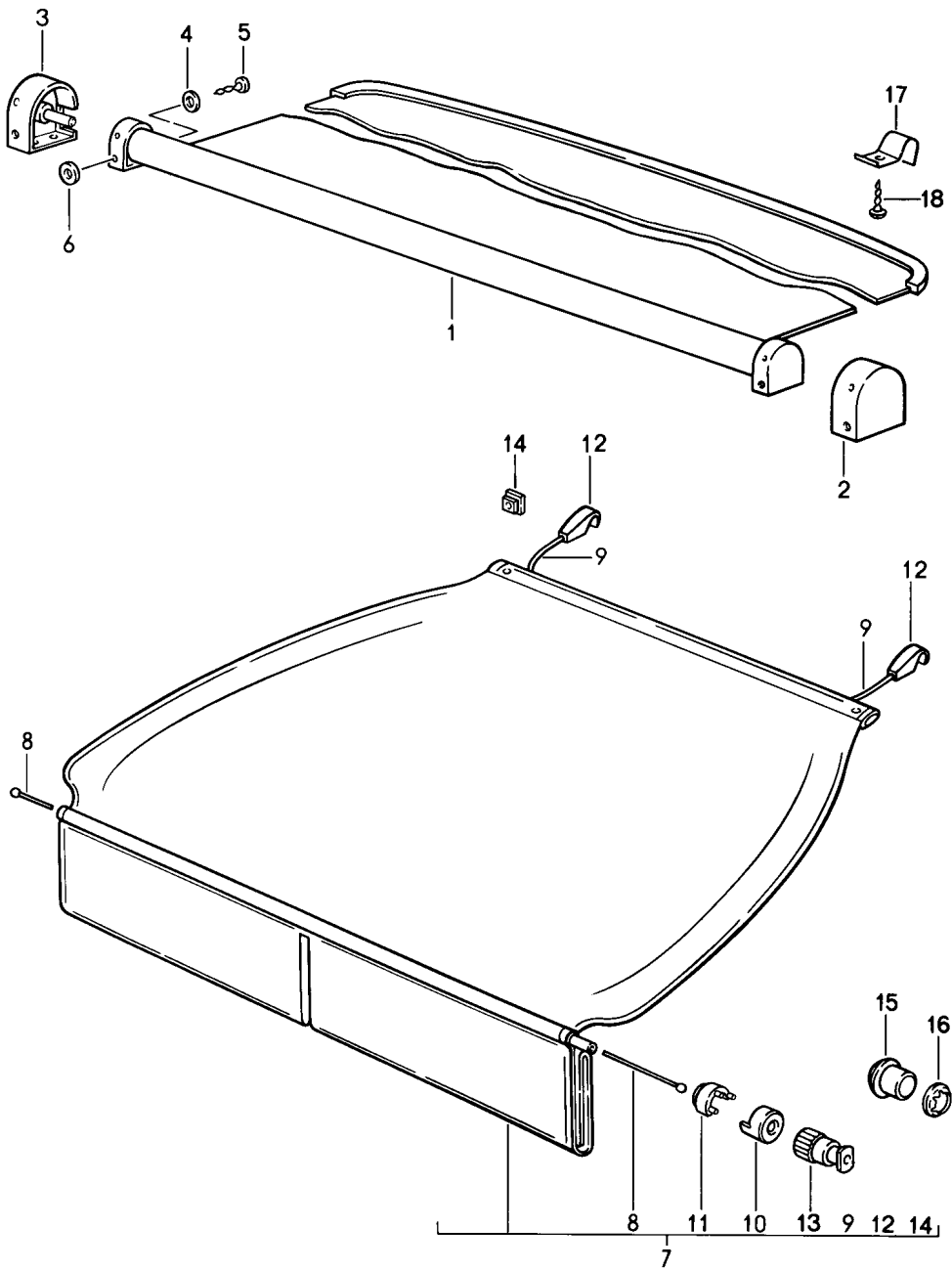
Pos	Part Number	Description	Remark	Qty	Model
		Rear-view mirror			
		Sun visor			
1	911 731 043 03	Door mirror			
(1)	911 731 044 03	Mirror housing	/L -86	1	
2	944 731 141 00	Mirror housing	/R 86	1	
		Mirror base	/LL /L	1	
		Order also:			
		POS.8			
(2)	944 731 142 00	Mirror base	/LL /R	1	
		Order also:			
		POS.(8)			
1-2	944 731 021 01	Mirror housing	/L	1	
	944 731 021 01 G3M	with			
		Mirror base			
		Grey			
		Prime coated			
3	999 143 003 02	Hexagon-head bolt		3	
		M 5 X 10			
		Self-locking			
4	944 731 027 01	Covering frame	/R /L -86	1	
4		Covering frame	/R /L 87-	1	
		with			
		Transmission			
5	803 971 980	Pin connector socket		1	
6	N 017 564 1	Round connector		6	
7	944 731 035 02	Mirror glass	-86	1	
		Plane			
7		Mirror glass		1	
		Plane			
(7)	944 731 035 06	Mirror glass	/R 88-	1	
		Convex			
(7)	477 857 611 B	Mirror glass		1	M637
		Plane			
(7)	477 857 611 D	Mirror glass	/LL /R	1	M637
		Convex			
8	944 731 505 01	Desk pad	/L	1	
(8)	945 731 506 01	Desk pad	/R	1	
9	911 731 257 02	Guide tube		1	
9	911 731 257 03	Guide tube		1	
10	911 731 345 02	Centring washer		1	
		Lower			
11	911 731 347 00	Centring washer		1	
		Upper			
12	911 731 029 01	Compression spring		1	
13	999 067 026 07	Pan-head screw		1	
		M 5 X 40 X 25			
14	944 731 143 00	Seal		1	
-	944 731 902 00	Installation set	/LL /R	1	
		Electric	-86		
		Adjustable and heatable			
		Door mirror			
		Plane			
15	477 857 511 A	Interior mirror		1	
	477 857 511 A 01C	Satin black			
15	477 857 511 B	Interior mirror		1	
	477 857 511 B 01C	Satin black			
16	944 731 031 01	Sun visor	/L	1	
	944 731 031 01 05T	Black			
	944 731 031 01 4RB	Brown			
	944 731 031 01 3MX	Burgundy			
(16)	944 731 032 01	Sun visor	/R	1	
	944 731 032 01 05T	Black			
	944 731 032 01 4RB	Brown			

Model: 944 85 Model life 1985>>1988

Pos	Part Number	Description	Remark	Qty	Model
17	944 731 032 01 3MX N 014 096 3	Burgundy Rais. counters. h. tap. s. B 4,2 X 22		6	
18	944 731 439 00	Support Sun visor		2	
19	900 143 047 07	Tapping screw B 4,2 X 19		4	
19	900 073 007 01	Tapping screw B 4,2 X 19		4	
20	900 151 028 02	Washer B 4,3		4	
20	900 151 028 01	Washer B 4,3		4	
21	901 552 872 20	Coat hook		2	
22	901 552 871 40	Cover		2	
23	900 250 007 02	Tapping screw AM 5 X 12		2	
24	477 857 521 D	Door mirror Plane	/LL /L	1	M637
(24)	477 857 522 D	Door mirror Plane	/LL /R	1	M637
(24)	477 857 522 H	Door mirror Convex	/LL /R	1	M637
25	999 067 026 07	Pan-head screw		1	M637
26	477 857 579	Desk pad	/L	1	M637
(26)	478 857 579	Desk pad	/R	1	M637
27	477 845 043	Retainer plate Adhesive set See group 0/05/00		1	

Model: 944 85

Model life 1985>>1988

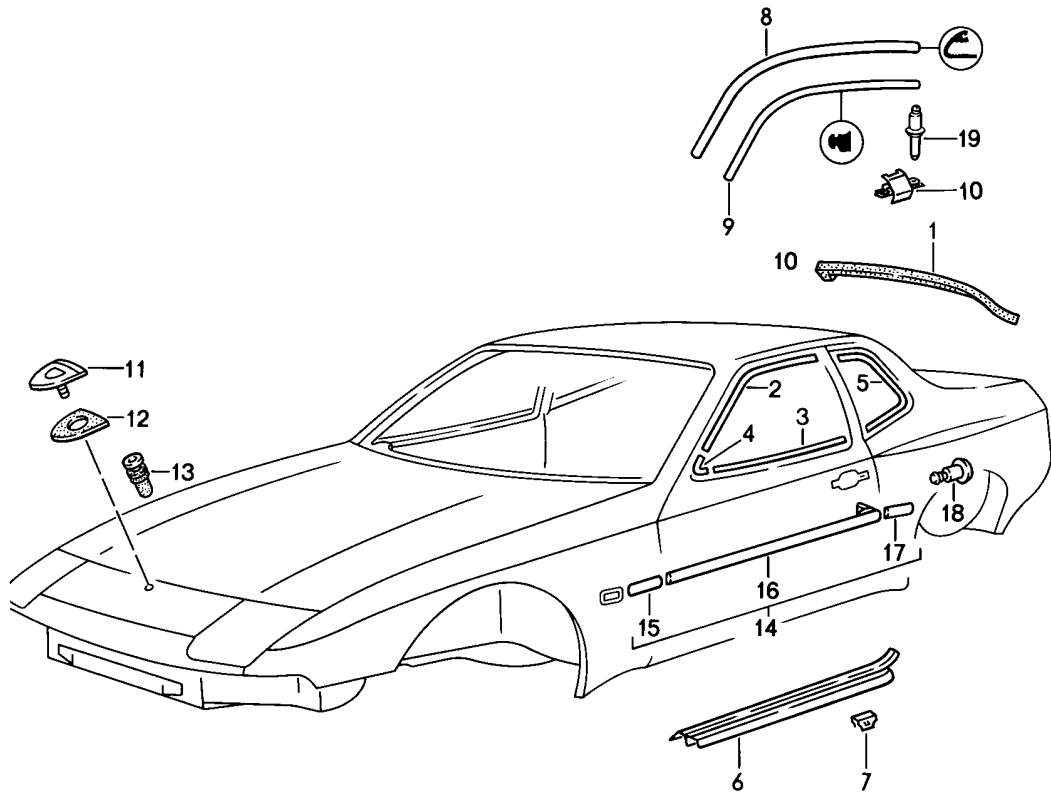


Model: 944 85 Model life 1985>>1988

Pos	Part Number	Description	Remark	Qty	Model
1	477 863 511 A	Luggage compartment cover		1	
	477 863 511 A 05T	Luggage compartment cover Black			
	477 863 511 A 89S	Brown			
	477 863 511 A 5LX	Burgundy			
2	477 863 517 A	Lid	/L	1	
		Luggage compartment cover with square wrench 17,5 MM			
	477 863 517 A 05T	Black			
	477 863 517 A 89S	Brown			
	477 863 517 A 9MM	Burgundy			
3	477 863 518 A	Lid	/R	1	
		Luggage compartment cover with Pin 17,5 MM			
	477 863 518 A 05T	Black			
	477 863 518 A 89S	Brown			
	477 863 518 A 9MM	Burgundy			
(2)	477 863 517 B	Lid	/L	1	
		Luggage compartment cover with Hole 16 MM			
	477 863 517 B 05T	Black			
(3)	477 863 518 B	Lid	/R	1	
		Luggage compartment cover with square wrench 16 MM			
	477 863 518 B 05T	Black			
4	900 025 003 02	Washer A 5,3		2	
5	N 013 971 3	Oval-head sheetmetal screw 4,8 X 22		2	
6	999 704 139 40	Spacer		2	
7	944 555 027 00	Luggage compartment cover	87-	1	M685
	944 555 027 00 70G	Black			
	944 555 027 00 40B	Brown			
	944 555 027 00 2LB	Burgundy			
7	944 555 027 02	Luggage compartment cover	87-	1	M685
	944 555 027 02 70G	Black			
	944 555 027 02 40B	Brown			
	944 555 027 02 2LB	Burgundy			
-	999 701 639 40	Round rubber cord	87-	*	
8		1265 MM		1	
9		875 MM		2	
10	928 555 795 02	End piece of pipe	87-	2	
11	928 555 785 02	Clamp for fabric	87-	2	
12	944 555 775 00	Hook	87-	2	
13	928 555 775 02	Belt end piece	87-	2	
14	928 555 791 02	Rosette	87-	2	
15	928 555 777 02	End piece of rope	87-	2	
16	999 591 484 02	Clamping washer	87-	2	
17	477 863 521 B	Hook		2	
18	N 013 932 4	Tapping screw		2	

Model: 944 85

Model life 1985>>1988

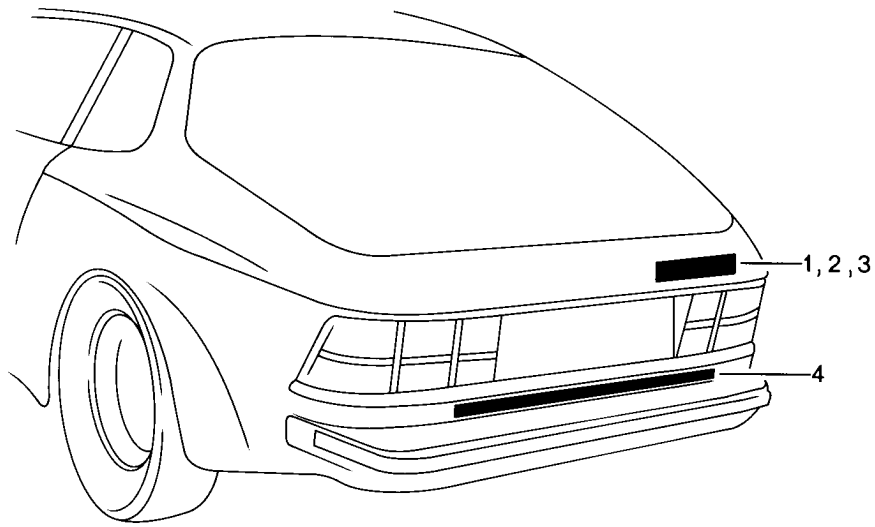


Model: 944 85 Model life 1985>>1988

Pos	Part Number	Description	Remark	Qty	Model
1	477 853 313 A	Moulding Trim frame	/H	1	
2	477 853 373 B	Moulding	/L	1	
(2)	477 853 374 B	Moulding	/R	1	
3	477 853 371 B	Moulding	/L	1	
3	PCG 853 371 B	Moulding	/L	1	
(3)	477 853 372 B	Moulding	/R	1	
4	477 853 375 A	Moulding		2	
5	477 853 365 A	Trim frame	/L	1	
(5)	477 853 366 A	Trim frame	/R	1	
6	944 551 121 00	Scuff plate	/L	1	
(6)	944 551 122 00	Scuff plate	/R	1	
7	477 853 655	Clamp		10	
7	999 507 851 01	Clamp		10	
8	944 559 705 00	Roof edge strip	/L	1	
(8)	944 559 706 00	Roof edge strip	/R	1	
9	944 559 707 00	Sealing rubber		2	
10	999 591 732 02	Clamp		12	
11	901 559 210 20	Lid emblem		1	
11	901 559 210 26	Lid emblem		1	
12	901 559 215 20	Desk pad		1	
12	7L5 853 611 B	Desk pad		1	
13	999 702 175 50	Grommet		2	
13		Grommet		2	
14	931 559 901 00	Set of moldings Moulding Order also: Adhesive AMV 176.000.05		1	M418
15	931 559 137 00	Side guard Wing	/V	2	
(15)	944 559 137 00	Side guard Wing	/V	2	944 S
16	931 559 133 00	Side guard	/L	1	
(16)	931 559 134 00	Side guard Door	/R	1	
17	931 559 141 00	Side guard	/L	1	
(17)	931 559 142 00	Side guard Side section	/R	1	
-	931 559 175 00	Adhesive tape Side guard Wing		2	
-	944 559 177 00	Adhesive tape Side guard Wing		2	944 S
-	931 559 165 00	Adhesive tape Side guard Door		2	
-	931 559 182 00	Adhesive tape	/L	1	
-		Adhesive tape Side guard Side section		2	
-	AMV 176 000 05	Adhesive sealing compound		1	
18	999 190 326 40	Rivet		2	
19	431 805 121 A	Bolt		X	

Model: 944 85

Model life 1985>>1988

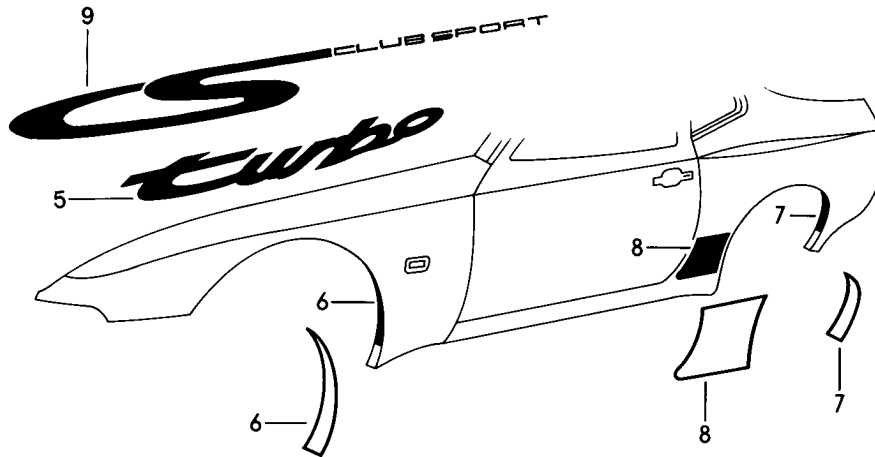


1—944

2—944S

3—*Turbo*

4
 —P—O—R—S—C—H—E—

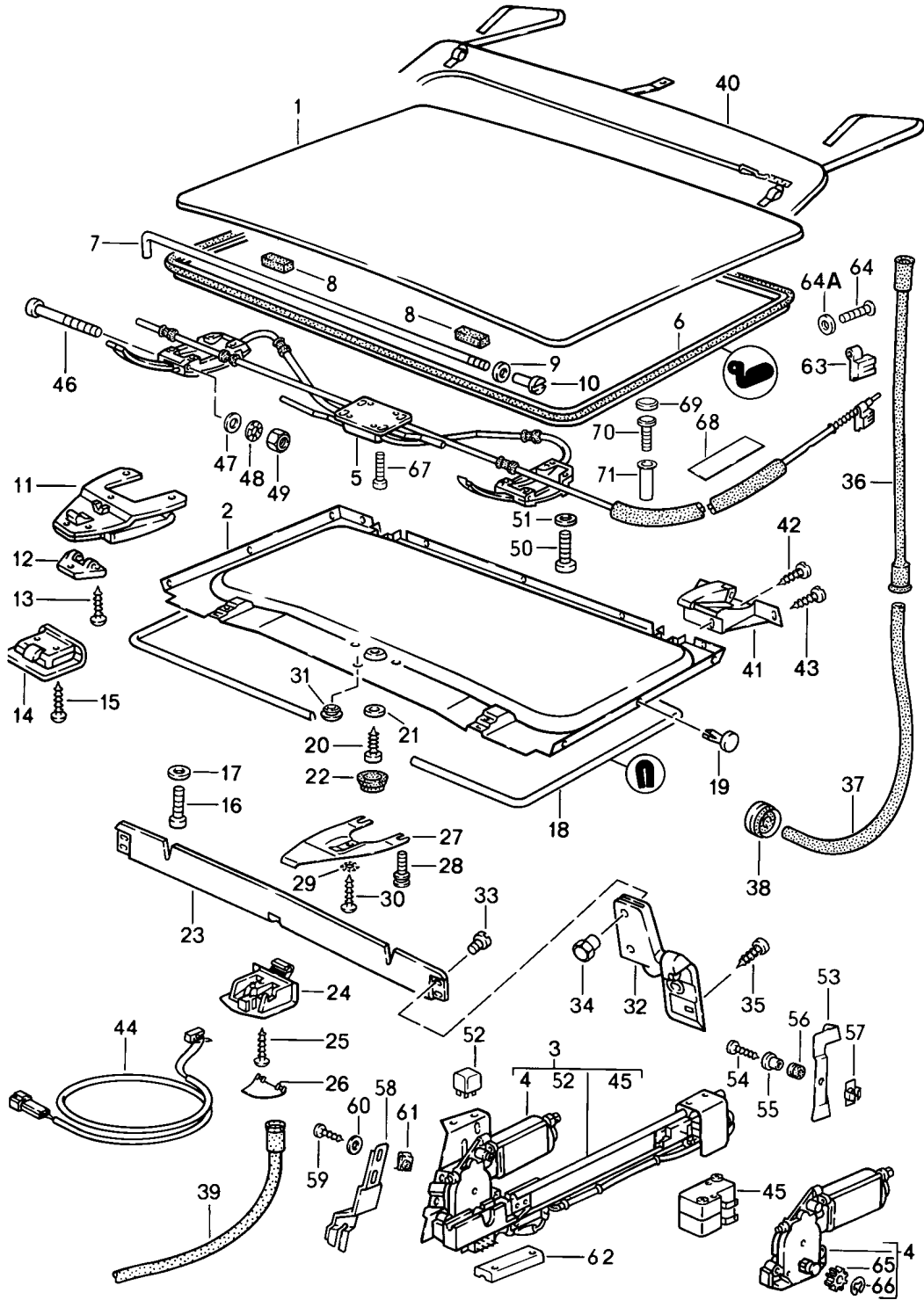


Model: 944 85 Model life 1985>>1988

Pos	Part Number	Description	Remark	Qty	Model
1	944 559 193 00	Insignias Stone guard film Logo Black		1	
1	944 559 193 01	Logo Silver		1	
2	944 559 191 00	Logo Black		1	944 S
2	944 559 191 01	Logo Silver		1	944 S
3	951 559 093 00	Logo Black		1	TURBO
3	951 559 093 01	Logo Silver		1	TURBO
4	477 853 635 B	Logo Black	/H	1	
4	477 853 635 C	Logo Silver	/H	1	
5	951 559 221 00	Logo		1	TURBO M501
5	951 559 221 01	Black Logo		1	TURBO M501
6	944 559 321 00	Silver Stone guard film	/L	1	
6	944 559 321 00 3YK	Clear			
6	944 559 322 00	Stone guard film	/R	1	
6	944 559 322 00 3YK	Clear			
6	944 559 321 01	Stone guard film	/L	1	
6	944 559 321 01 6YA	Alpine white			
6	944 559 321 01 1ZZ	Zermatt silver metallic			
6	944 559 322 01	Stone guard film	/R	1	
6	944 559 322 01 6YA	Alpine white			
6	944 559 322 01 1ZZ	Zermatt silver metallic			
7	944 559 323 00	Stone guard film	/L	1	
7	944 559 323 00 3YK	Clear			
7	944 559 324 00	Stone guard film	/R	1	
7	944 559 324 00 3YK	Clear			
7	944 559 323 01	Stone guard film	/L	1	
7	944 559 323 01 6YA	Alpine white			
7	944 559 323 01 1ZZ	Zermatt silver metallic			
7	944 559 324 01	Stone guard film	/R	1	
7	944 559 324 01 6YA	Alpine white			
7	944 559 324 01 1ZZ	Zermatt silver metallic			
8	944 559 325 00	Stone guard film	/L	1	
8	944 559 325 00 3YK	Clear			
8	944 559 326 00	Stone guard film	/R	1	
8	944 559 326 00 3YK	Clear			
8	944 559 325 01	Stone guard film	/L	1	
8	944 559 325 01 6YA	Alpine white			
8	944 559 325 01 1ZZ	Zermatt silver metallic			
8	944 559 326 01	Stone guard film	/R	1	
8	944 559 326 01 6YA	Alpine white			
8	944 559 326 01 1ZZ	Zermatt silver metallic			
9	944 559 223 00	Logo Black		1	
9	944 559 223 01	Logo Silver		1	

Model: 944 85

Model life 1985>>1988



Model: 944 85 Model life 1985>>1988

Pos	Part Number	Description	Remark	Qty	Model
1	944 564 021 01	Lifting roof		1	M650
2	944 564 047 01	Roof		1	
	944 564 047 01 05T	Lining			
	944 564 047 01 4RB	Black			
	944 564 047 01 5LX	Brown			
		Burgundy			
3	944 624 055 00	Electric drive		1	
		F >>94GN4 57874			944
		F >>95GN1 54211			TURBO
4	944 624 011 00	Electric motor		1	
		F >>94GN4 57874			944
		F >>95GN1 54211			TURBO
5	944 564 941 00	Assembly kit		1	
		See TPI			
		Group			
		8			
		NR. 43			
		F >>94GN4 57874			944
		F >>95GN1 54211			TURBO
6	944 564 114 01	Gasket		1	
		F >>94GN4 57874			944
		F >>95GN1 54211			TURBO
6	944 564 114 04	Gasket		1	
		F 94GN4 57875>>			944
		F 95GN1 54212>>			TURBO
7	477 871 761	Tensioning device		1	
8	477 871 789	Sealing strip		2	
9	N 012 226 5	Spring washer		1	
		B 6			
10	477 871 763 A	Threaded bush		1	
11	477 871 217	Roof catch	/V	2	
12	477 871 219	Bearing bracket		2	
13	N 033 174 1	Countersunk-head screw		6	
		M 3 X 6			
13	900 269 001 01	Countersunk-head screw		6	
		M 3 X 6			
14	477 871 665 A	Centring wedge	/V	2	
15	N 013 964 4	Oval-head sheetmetal screw		5	
		B 4,2 X 16			
16	900 270 064 07	Countersunk-head screw		2	
		M 5 X 16			
17	999 704 606 17	Washer		6	
18	944 564 621 00	Edge protection		1	
		F >>94GN4 58669			944
		F >>95GN1 54952			TURBO
(18)	944 564 623 00	Edge protection		1	
		F 94GN4 58670>>			944
		F 95GN1 54953>>			TURBO
(18)	944 564 623 02	Edge protection		1	
		F 94GN4 58670>>			944
		F 95GN1 54953>>			TURBO
19	477 871 053	Expansion rivet		11	
20	311 867 167	Oval-head sheetmetal screw		1	
21	900 151 028 02	Washer		1	
21	900 151 028 01	Washer		1	
22	311 867 169	Cap		1	
	311 867 169 01C	Black			
	311 867 169 90V	Brown			
	311 867 169 9MM	Burgundy			
23	944 564 093 00	Air deflector		1	
24	944 564 683 00	Bearing		1	
25	N 013 964 4	Oval-head sheetmetal screw		5	
		4,2 X 16			

Model: 944 85 Model life 1985>>1988

Pos	Part Number	Description	Remark	Qty	Model
26	944 564 685 00	Flap		1	
27	944 564 223 00	Fastening part		1	
28	944 564 224 00	Adjusting screw		2	
29	N 012 222 4	Spring washer A 5		5	
30	N 014 133 8	Oval-head screw M 5 X 12		1	
30	N 014 133 I	Oval-head screw M 5 X 12		1	
31	944 564 233 00	Cap		3	
	944 564 233 00 01C	Black			
	944 564 233 00 90V	Brown			
	944 564 233 00 9MM	Burgundy			
32	477 871 635 A	Hinge	/L	1	
(32)	477 871 636 A	Hinge	/R	1	
33	477 837 959	Self-lock. fillister screw		4	
34	477 871 701 A	Cap nut		4	
35	900 143 031 02	Oval-head sheetmetal screw B 4,2 X 9,5		4	
36	944 564 235 00	Water drain hose	/L /H	1	
(36)	944 564 064 00	Water drain hose	/R /H	1	
37	944 564 237 00	Water drain tube	/L /H	1	
(37)	944 564 238 00	Water drain tube	/R /H	1	
38	021 119 569	Rubber sleeve		X	
39	321 877 233 C	Water drain hose	/V	2	
40	477 871 027	Retaining pocket		1	
	477 871 027 05T	Black			
	477 871 027 4RB	Brown			
	477 871 027 3MX	Burgundy			
41	944 564 161 00	Gate guide	/L /H	1	
(41)	944 564 162 00	Gate guide	/R /H	1	
(41)	944 564 162 02	Gate guide	/R /H	1	
42	N 014 133 8	Oval-head screw M 5 X 12		2	
42	N 014 133 I	Oval-head screw M 5 X 12		2	
43	N 014 264 4	Oval-head screw AM 5 X 10		4	
44	944 613 033 00	Microswitch		1	
45	944 613 127 00	Microswitch		2	
	F >>94GN4 57874				944
	F >>95GN1 54211				TURBO
46	N 100 718 01	Pan-head screw M 5 X 70 F >>94GN4 57874 F >>95GN1 54211		2	944 TURBO
47	900 025 003 02	Washer A 5,3 F >>94GN4 57874 F >>95GN1 54211		2	944 TURBO
48	N 012 104 2	Serrated lock washer 5,3 F >>94GN4 57874 F >>95GN1 54211		2	944 TURBO
49	N 011 005 14	Hexagon nut M 5 F >>94GN4 57874 F >>95GN1 54211		2	944 TURBO
49	900 076 091 01	Hexagon nut M 5 F >>94GN4 57874 F >>95GN1 54211		2	944 TURBO
50	999 218 005 02	Pan-head screw		4	

Model: 944 85 Model life 1985>>1988

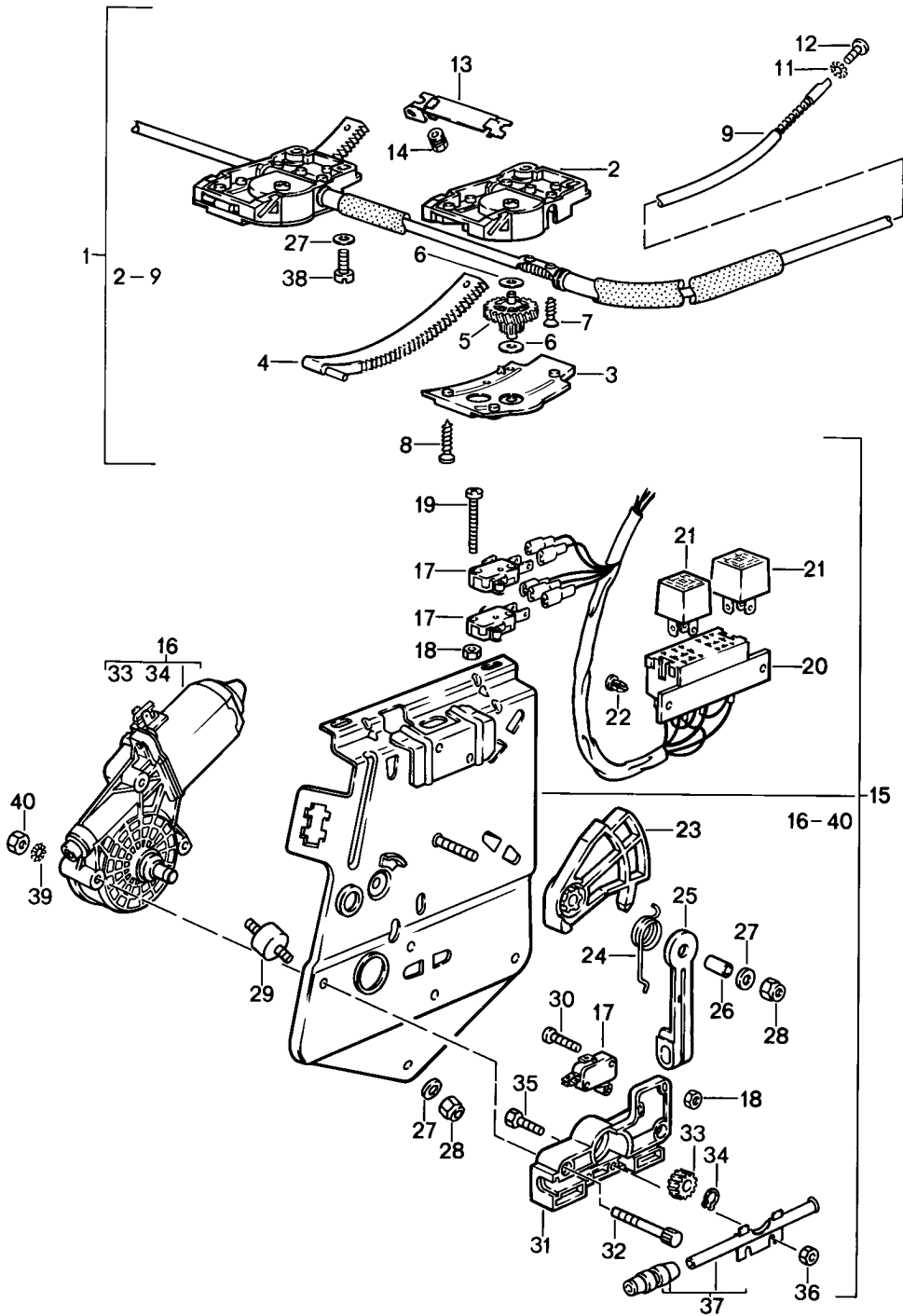
Pos	Part Number	Description	Remark	Qty	Model
50	999 218 005 01	M 6 F >>94GN4 57874 F >>95GN1 54211 Pan-head screw		4	944 TURBO
51	N 011 524 7	M 6 F >>94GN4 57874 F >>95GN1 54211 Washer		4	944 TURBO
51	N 011 524 27	A 6,4 F >>94GN4 57874 F >>95GN1 54211 Washer		4	944 TURBO
52	431 951 253 D	A 6,4 F >>94GN4 57874 F >>95GN1 54211 Relay		2	944 TURBO
52	999 657 016 90	Electric drive Relay		2	
53	944 564 521 00	Electric drive Support		1	
54	N 013 967 5	F >>94GN4 57874 F >>95GN1 54211 Tapping screw		1	944 TURBO
55	944 624 415 00	BZ 4,2 X 19 F >>94GN4 57874 F >>95GN1 54211 Spacer sleeve		1	944 TURBO
56	944 624 417 00	F >>94GN4 57874 F >>95GN1 54211 Rubber sleeve		1	944 TURBO
57	N 902 577 01	F >>94GN4 57874 F >>95GN1 54211 Speed nut		1	944 TURBO
58	944 564 433 00	B 4,2 F >>94GN4 57874 F >>95GN1 54211 Support		1	944 TURBO
59	N 013 884 4	F >>94GN4 57874 F >>95GN1 54211 Hexagon-head tapping screw		2	944 TURBO
60	N 012 201 2	BZ 4,8 X 13 F >>94GN4 57874 F >>95GN1 54211 Washer		2	944 TURBO
61	999 591 722 02	5,5 F >>94GN4 57874 F >>95GN1 54211 Speed nut		2	944 TURBO
62	944 564 517 00	B 4,8 X 19 F >>94GN4 57874 F >>95GN1 54211 Lid		1	944 TURBO
63	944 564 425 01	F >>94GN4 57874 F >>95GN1 54211 Driver		1	944 TURBO
64	999 014 012 02	F >>94GN4 57874 F >>95GN1 54211 Screw		1	944 TURBO
64A	999 523 115 02	M 3,5 X 28 F >>94GN4 57874 F >>95GN1 54211 Washer		1	944 TURBO
		3,5			

Model: 944 85 Model life 1985>>1988

Pos	Part Number	Description	Remark	Qty	Model
65	944 564 437 00	F >>94GN4 57874 F >>95GN1 54211 Pinion		1	944 TURBO
66	900 116 003 02	F >>94GN4 57874 F >>95GN1 54211 Lock washer		1	944 TURBO
66	900 116 003 09	F >>94GN4 57874 F >>95GN1 54211 Lock washer		1	944 TURBO
67	N 014 745 2	F >>94GN4 57874 F >>95GN1 54211 Pan-head screw M 6 X 14 Micro-self-locking		4	944 TURBO
68	944 556 441 00	F >>94GN4 57874 F >>95GN1 54211 Felt strip		1	944 TURBO
69	999 703 347 40	F 94GN4 58670>> F 95GN1 54953>> Cap		4	944 TURBO
70	999 119 016 40	F 94GN4 58670>> F 95GN1 54953>> Adjusting screw M 4 X 10		4	944 TURBO
71	999 500 033 17	F 94GN4 58670>> F 95GN1 54953>> Blind rivet nut M 4		4	944 TURBO

Model: 944 85

Model life 1985>>1988



Model: 944 85 Model life 1985>>1988

Pos	Part Number	Description	Remark	Qty	Model
		Lifting roof			M650
		Driving mechanism			
		F 94GN4 57875>>			944
		F 95GN1 54212>>			TURBO
1	944 564 041 01	Assembly kit		1	
2	944 564 507 01	Guide		2	
3	944 564 509 01	Plate		2	
4	944 564 501 01	Segment	/L	1	
(4)	944 564 502 01	Segment	/R	1	
(4)	944 564 502 02	Segment	/R	1	
5	944 564 430 01	Gear wheel		2	
6	944 564 459 01	Shim		4	
7	999 919 051 02	Countersunk-head screw M 4 X 8		4	
8	999 919 052 02	Countersunk-head screw M 4 X 18		10	
9	944 564 043 02	Shaft		1	
9	944 564 043 03	Shaft		1	
11	999 523 116 01	Lock washer		3	
12	N 014 121 6	Oval-head screw M 4 X 6		1	
13	944 564 461 00	Support	/L	1	
(13)	944 564 462 00	Support	/R	1	
14	999 076 036 02	Adjusting nut M 4		4	
15	944 624 055 01	Electric drive		1	
16	944 624 011 01	Electric motor		1	
17	944 613 128 01	Microswitch		3	
18	N 011 002 2	Hexagon nut		4	
19	900 146 072 02	Oval-head screw M 3 X 25		2	
20	944 612 011 01	Wiring harness		1	
21	431 951 253 D	Relay		2	
21	999 657 016 90	Relay		2	
22	999 591 854 40	Expansion rivet		2	
23	944 564 535 00	Lever		1	
24	944 564 539 00	Spring		1	
25	944 564 537 00	Lever		1	
26	944 564 541 00	Sleeve		1	
27	N 011 524 7	Washer 6,4		6	
27	N 011 524 27	Washer 6,4		6	
28	900 910 012 02	Lock nut M 6		2	
28	900 910 047 09	Lock nut M 6		2	
29	999 703 349 00	Rubber mounting		1	
30	N 044 134 2	Oval-head screw M 3 X 20		2	
31	944 564 515 01	Housing		1	
32	944 564 543 00	Screw		2	
33	944 564 437 01	Pinion		1	
34	900 116 003 02	Lock washer		1	
34	900 116 003 09	Lock washer		1	
35	900 075 100 02	Hexagon-head bolt M 4 X 12		2	
35	900 075 100 03	Hexagon-head bolt M 4 X 12		2	
36	N 011 004 6	Hexagon nut M 4		2	
36	N 011 004 G	Nut M 4		2	

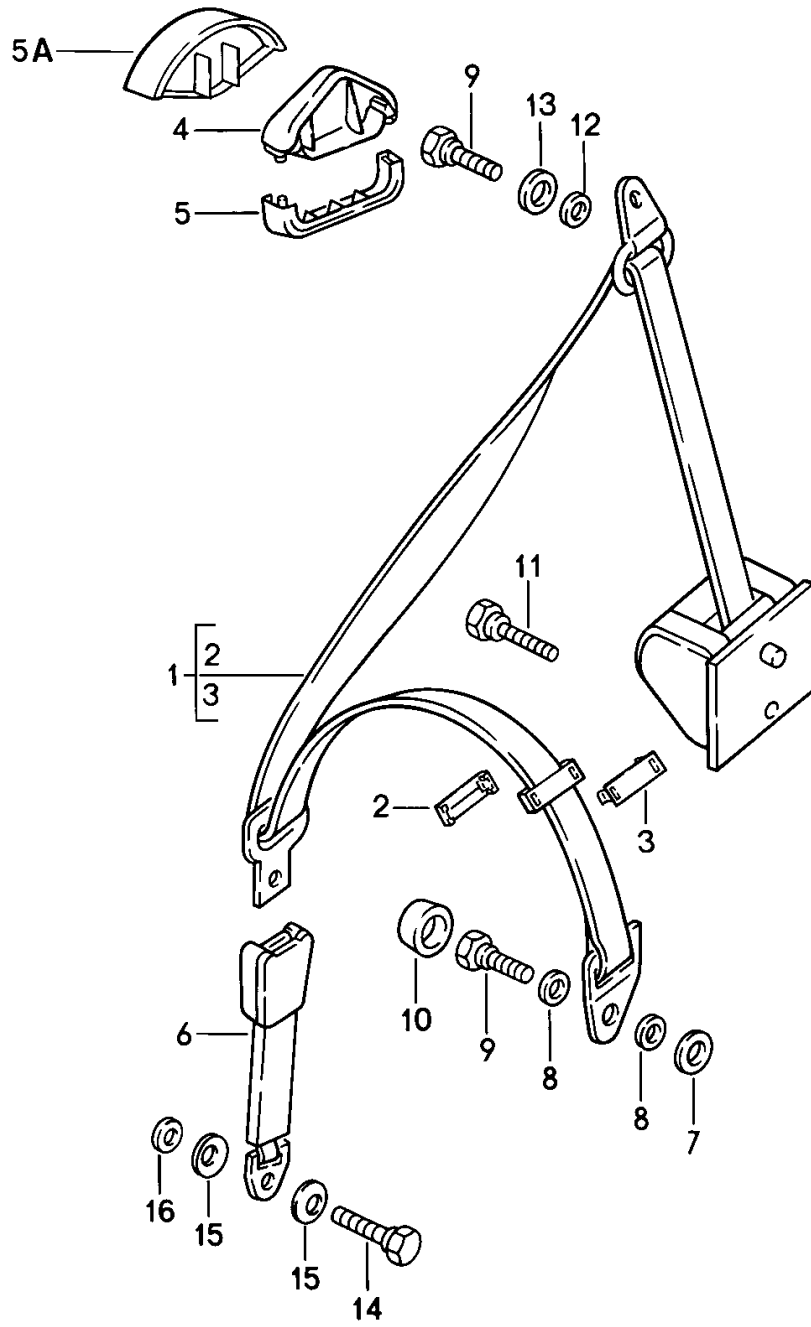
Model: 944 85

Model life 1985>>1988

Pos	Part Number	Description	Remark	Qty	Model
37	944 564 048 00	Pipe		1	
38	900 067 011 02	Pan-head screw		4	
38	900 067 011 03	Pan-head screw		4	
39	999 523 117 01	Lock washer		3	
40	900 076 010 02	Nut M 6		3	
40	900 076 010 0B	Nut M 6		3	

Model: 944 85

Model life 1985>>1988

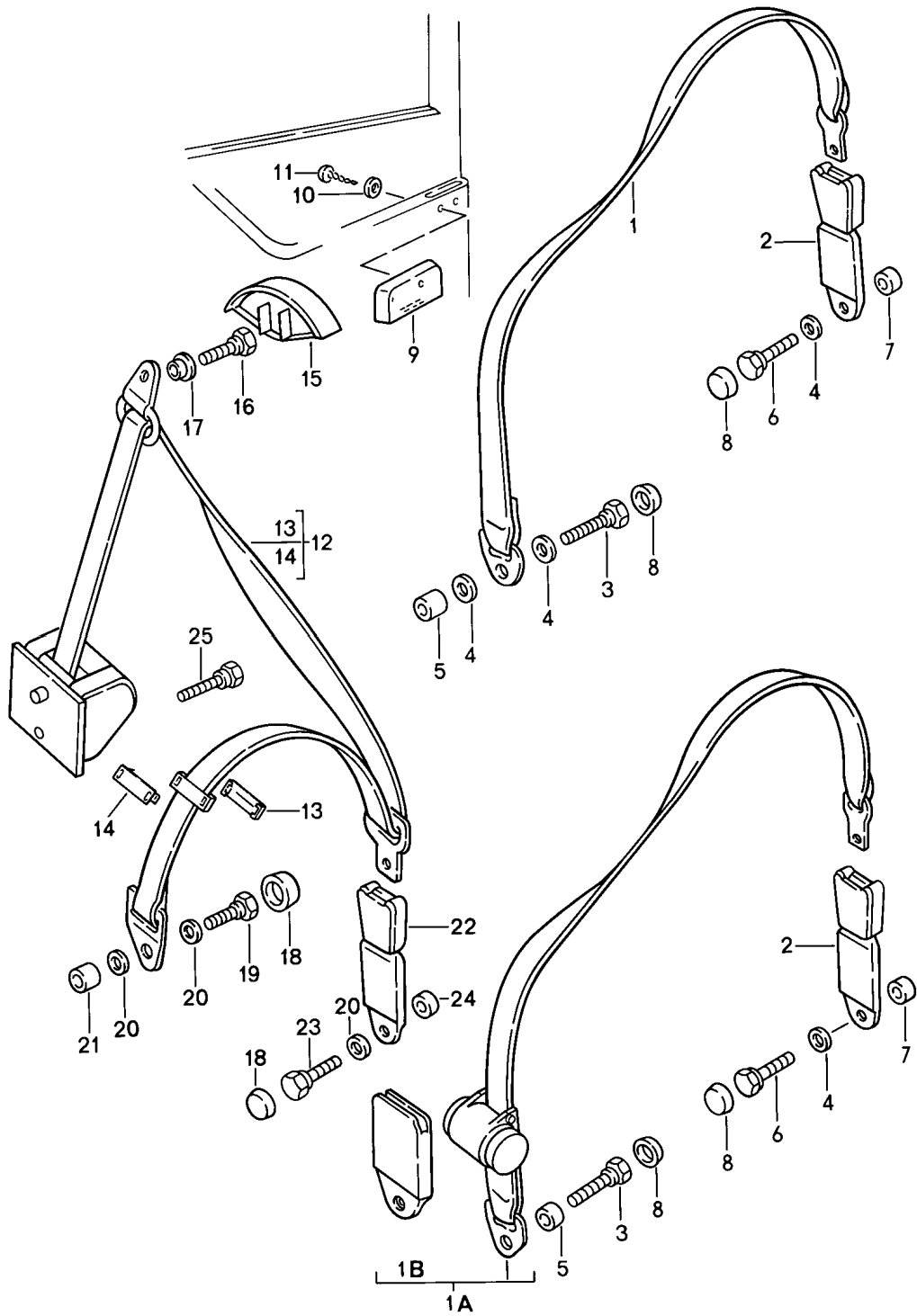


Model: 944 85 Model life 1985>>1988

Pos	Part Number	Description	Remark	Qty	Model
		Seat belt Front			
1	944 803 125 00	Seat belt	/L	1	
1	944 803 125 01	Seat belt	/L 87	1	M562
1	944 803 125 02	Seat belt	/L 88-	1	M562
	944 803 125 02 70B	Satin black			
(1)	944 803 126 00	Seat belt	/R	1	
(1)	944 803 126 01	Seat belt	/R 87	1	M563
(1)	944 803 126 02	Seat belt	/R 88-	1	M563
	944 803 126 02 70B	Satin black			
2	928 803 151 02	Clip		2	
		Upper part			
3	928 803 153 02	Clip		2	
		Lower part			
4	928 803 141 00	Cover	85	2	
		Upper part			
5	928 803 143 00	Cover	85	2	
		Lower part			
5A	944 803 141 00	Cover	86-	2	
	944 803 141 00 70B	Black			
6	928 803 183 13	Seat-belt buckle		1	
	928 803 183 13 70B	Black			
		Driver's side			
(6)	928 803 183 12	Seat-belt buckle		1	
	928 803 183 12 70B	Black			
		Passenger's side			
6	928 803 183 11	Seat-belt buckle		1	M383/387
		Driver's side			
(6)	928 803 183 10	Seat-belt buckle		1	M383/387
		Passenger's side			
7	111 857 707 A	Spacer		2	
7	WHT 001 373	Spacer		2	
8	211 857 771	Washer	85	8	
8	911 803 533 00	Cup spring	86	2	
9	111 857 793 E	Hexagon-head bolt	85	4	
9		Hexagon-head bolt	86	2	
10	811 857 845	Cap		2	
11	111 857 799 A	Hexagon-head bolt		2	
11	3B0 857 799	Hexagon-head bolt		2	
12	928 803 212 02	Spacer		2	
13	928 803 157 02	Washer		2	
14	914 803 468 10	Screw		2	
15	911 803 533 00	Cup spring		4	
16	911 803 531 00	Paper washer		2	

Model: 944 85

Model life 1985>>1988



Model: 944 85 Model life 1985>>1988

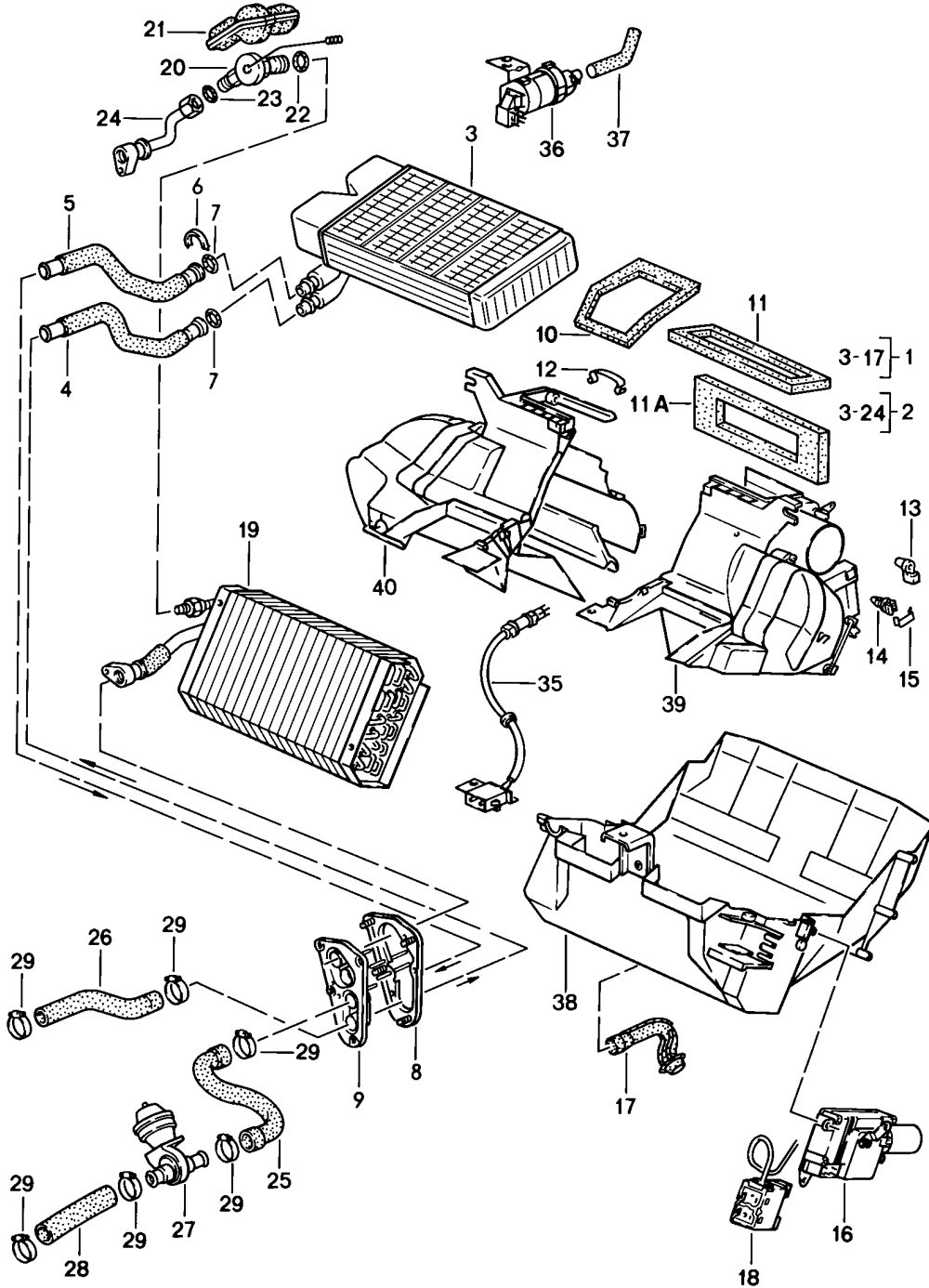
Pos	Part Number	Description	Remark	Qty	Model
		Seat belt Rear			M186
		Lap belt Manually			
1	477 857 795	Seat belt		2	
	477 857 795 70B	Manually			
2	477 857 739 A	Seat-belt buckle		2	
2	477 857 739 B	Seat-belt buckle		2	
	477 857 739 B 70B	Black			
3	803 019 811 B	Hexagon-head bolt	85	2	
3	111 857 793 E	Hexagon-head bolt	86	2	
4	211 857 771	Washer		6	
5	928 803 259 02	Spacer sleeve		2	
6	477 857 853	Screw		2	
7	477 857 643	Spacer sleeve		2	
(7)	999 209 033 02	Spacer sleeve		2	
8	811 857 845	Cap		4	
9	477 857 375 A	Support for seatbelt		2	
	477 857 375 A 01C	Black			
	477 857 375 A 89S	Brown			
	477 857 375 A 9MM	Burgundy			
10	900 151 027 02	Washer B 5,3 X 15		4	
10	900 151 027 03	Washer B 5,3 X 15		4	
11	900 146 003 02	Oval-head screw M 5 X 11		4	
		Lap belt Automatic			M185
1A	477 857 787 C	Seat belt		2	
	477 857 787 C 70B				
1B	477 857 750 B	Cap		2	
2	477 857 739 A	Seat-belt buckle		2	
2	477 857 739 B	Seat-belt buckle		2	
	477 857 739 B 70B	Black			
3	803 019 811 B	Hexagon-head bolt	85	2	
3	111 857 793 E	Hexagon-head bolt	86	2	
4	211 857 771	Washer		2	
5	928 803 259 02	Spacer sleeve		2	
6	477 857 853	Screw		2	
7	477 857 643	Spacer sleeve		2	
(7)	999 209 033 02	Spacer sleeve		2	
8	811 857 845	Cap		4	
		Three-point seat belt Automatic			M335
(12)	945 803 021 02	Seat belt	/L 88-	1	
	945 803 021 02 70B	Black			
12	945 803 022 02	Seat belt	/R 88-	1	
	945 803 022 02 70B	Black			
13	928 803 151 02	Clip		2	
		Upper part			
14	928 803 153 02	Clip		2	
		Lower part			
15	944 803 141 00	Cover		2	
	944 803 141 00 70B	Black			
16	111 857 793 E	Hexagon-head bolt		2	
17	945 803 311 00	Spacer ring		2	
18	811 857 845	Cap		4	
19	803 019 811 B	Hexagon-head bolt		2	
20	211 857 771	Washer		6	
21	928 803 259 02	Spacer sleeve		2	
22	477 857 739 A	Seat-belt buckle		2	
22	477 857 739 B	Seat-belt buckle		2	

Model: 944 85 Model life 1985>>1988

Pos	Part Number	Description	Remark	Qty	Model
	477 857 739 B 70B	Black			
23	477 857 853	Screw		2	
24	477 857 643	Spacer sleeve		2	
(24)	999 209 033 02	Spacer sleeve		2	
25	911 803 150 00	Screw		2	

Model: 944 85

Model life 1985>>1988



Model: 944 85 Model life 1985>>1988

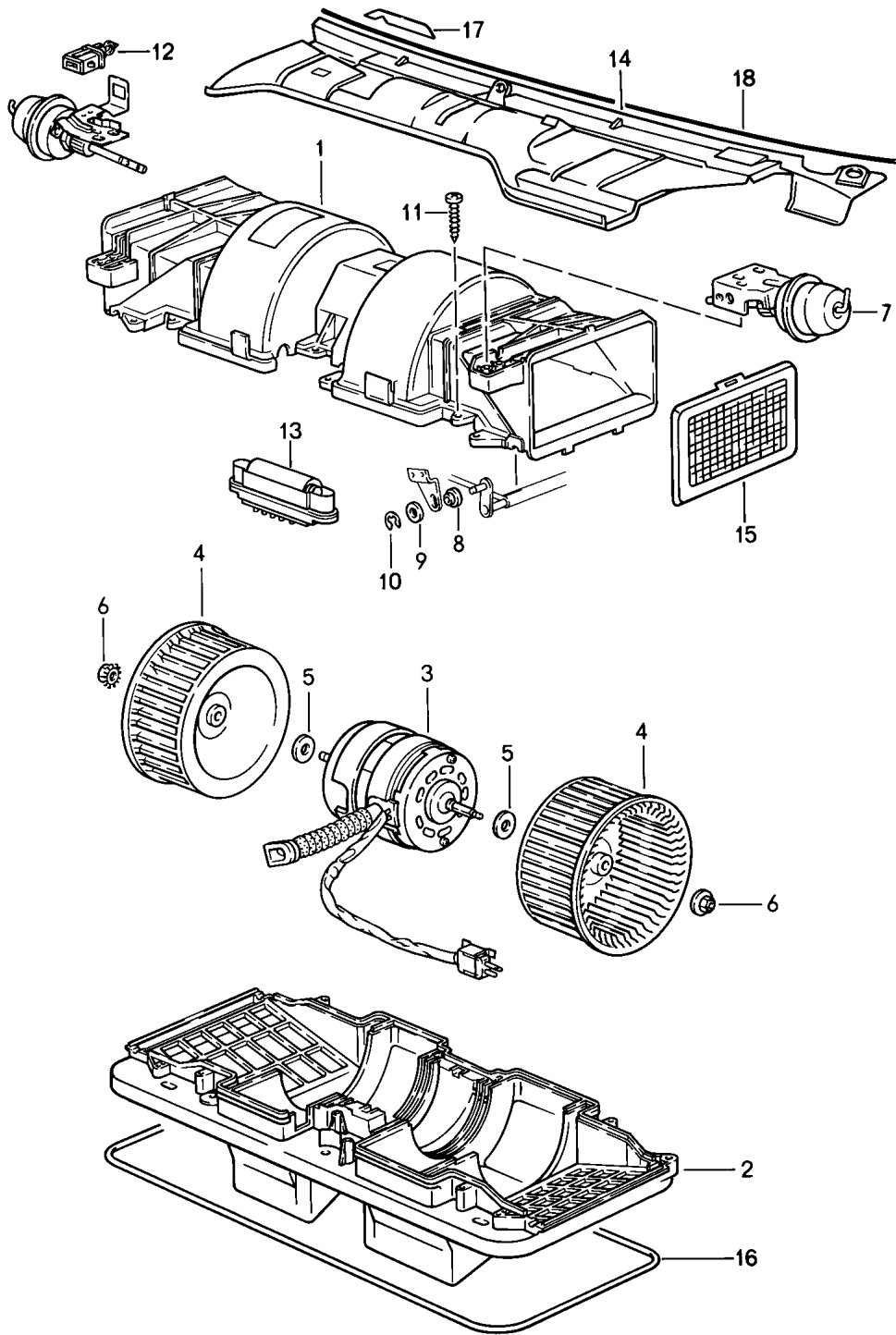
Pos	Part Number	Description	Remark	Qty	Model
		Heater			
		Air conditioner			
1	944 572 020 01	Heater	-86	1	
1	944 572 020 03	Heater	87-	1	
2	944 573 020 01	Heater	-86	1	M573
2	944 573 020 02	Heater	87-	1	M573
3	944 572 130 00	Heat exchanger		1	
4	944 572 184 00	Water tube		1	
		Return line			
5	944 572 185 00	Water tube		1	
		Supply			
6	944 572 287 00	Clip		2	
7	944 572 188 00	O-ring		2	
8	944 572 262 00	Mounting plate		1	
(9)	944 572 264 00	Gasket		1	
9	944 573 264 00	Gasket		1	M573
10	944 572 201 00	Gasket	/L	1	
(10)	944 572 202 00	Gasket	/R	1	
11	944 572 162 01	Gasket		1	
11A	944 572 162 02	Gasket		1	
12	944 572 215 00	Spring clamp		9	
13	944 572 313 00	Bearing		3	
		Connecting rod			
14	944 572 314 00	Bearing		3	
		Connecting rod			
15	944 572 217 00	Spring clamp		3	
		Connecting rod			
16	944 624 119 00	Electric motor		2	
		Defroster flap			
		Footwell flap			
		60 degrees			
(16)	944 624 120 00	Electric motor		1	
		Temperature mixing flap			
		98 degrees			
17	944 572 221 00	Water drain hose		1	
18	944 659 221 00	Temperature sensor		1	M573
18	944 659 221 01	Temperature sensor		1	M573
19	944 573 211 01	Evaporator		1	M573
19		Evaporator		1	M573
20	944 573 201 00	Expansion valve		1	M573
21	477 820 447 B	Insulator		1	M573
22	944 573 215 00	O-ring		1	M573
23	999 707 251 40	O-ring		1	M573
24	944 573 213 00	Refrigerant line		1	M573
25	944 572 587 01	Water hose		1	944
		Supply			
(25)	944 572 587 02	Water hose		1	944S
		Supply			
26	944 572 589 00	Water hose		1	
		Return line			
27	928 574 573 03	Disc valve		1	
27	928 574 573 04	Disc valve		1	
		Use also:			
-	986 307 507 00	Cap		1	
28	944 572 385 01	Heater hose		1	
29	999 512 346 00	Hose clamp		X	
		SGT 16-25			
(30)	944 653 021 01	Control switch		1	M573
31	944 653 203 00	Cover		1	
	944 653 203 00 1DB	Black			
32	944 653 207 00	Knob		1	
		Blower switch			
33	944 653 205 00	Knob		2	

Model: 944 85 Model life 1985>>1988

Pos	Part Number	Description	Remark	Qty	Model
34	944 653 208 00	Knob Temperature control		1	
35	944 653 121 00	Temperature sensor		1	
(35)	PCG 653 121 00	Temperature sensor		1	
		Repair kit without Connector housing			
-	477 971 909	Rubber sleeve		1	
36	944 624 013 00	Interior sensor		1	
37	944 572 529 00	Hose		1	
		Interior sensor			
38	944 572 135 01	Housing		1	
		Lower part			
38		Housing		1	
		Lower part			
39	944 572 121 01	Housing	/L -86	1	
39		Housing	/L 87-	1	
40	944 572 122 01	Housing	/R	1	

Model: 944 85

Model life 1985>>1988

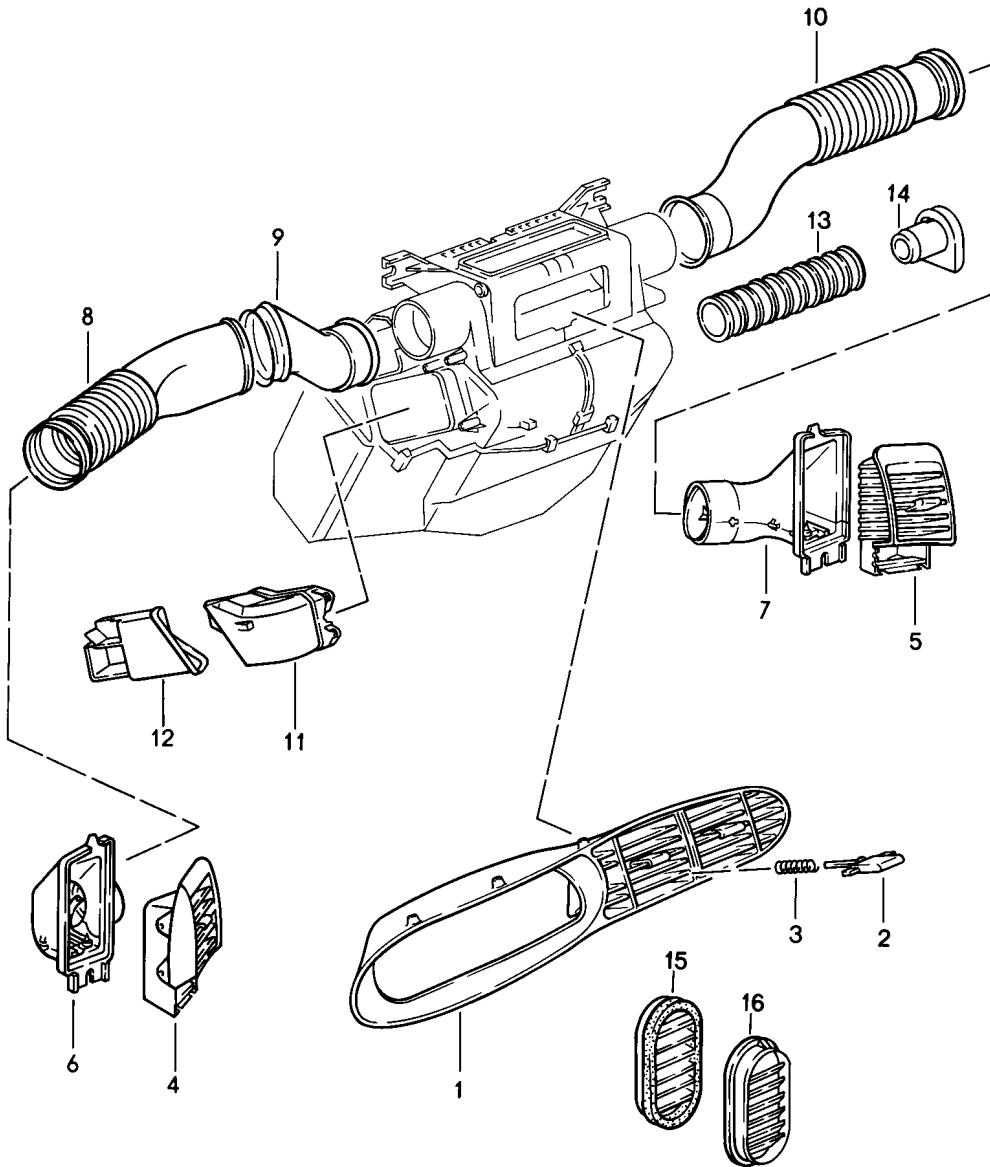


Model: 944 85 Model life 1985>>1988

Pos	Part Number	Description	Remark	Qty	Model
1	944 572 105 00	Blower Housing Upper part		1	
2	944 572 103 01	Housing Lower part	/LL	1	
(3)	944 624 117 00	Electric motor		1	M573
4	944 572 211 00	Fan	/L	1	
(4)	944 572 212 00	Fan	/R	1	
5	944 572 470 00	Washer		2	
6	477 820 471 A	Nut M 5		2	
7	944 572 119 00	Vacuum unit	/L	1	
(7)	944 572 120 00	Vacuum unit	/R	1	
8	944 572 183 00	Bearing		2	
9	944 572 225 00	Washer		2	
10	944 572 222 00	Circlip		2	
11	944 572 464 00	Tapping screw B 5 X 12		16	
12	944 653 123 00	Outer sensor		1	
13	944 616 101 00	Resistor		1	
14	944 572 063 03	Cover	/LL	1	
15	944 572 104 00	Air cleaner		2	
16	477 898 011 A	Sealing set		1	
17	944 504 513 00	Filler piece		2	
18	000 043 204 87	Adhesive tape		1	
-	944 572 905 00	Roller 5 M Retrofit kit Particle filter Use also:		1	
-	944 572 464 00	Tapping screw		2	
-	944 616 105 00	Ballast resistor		1	
-	944 616 106 00	Cover		1	
-	944 572 593 00	Gasket		1	

Model: 944 85

Model life 1985>>1988

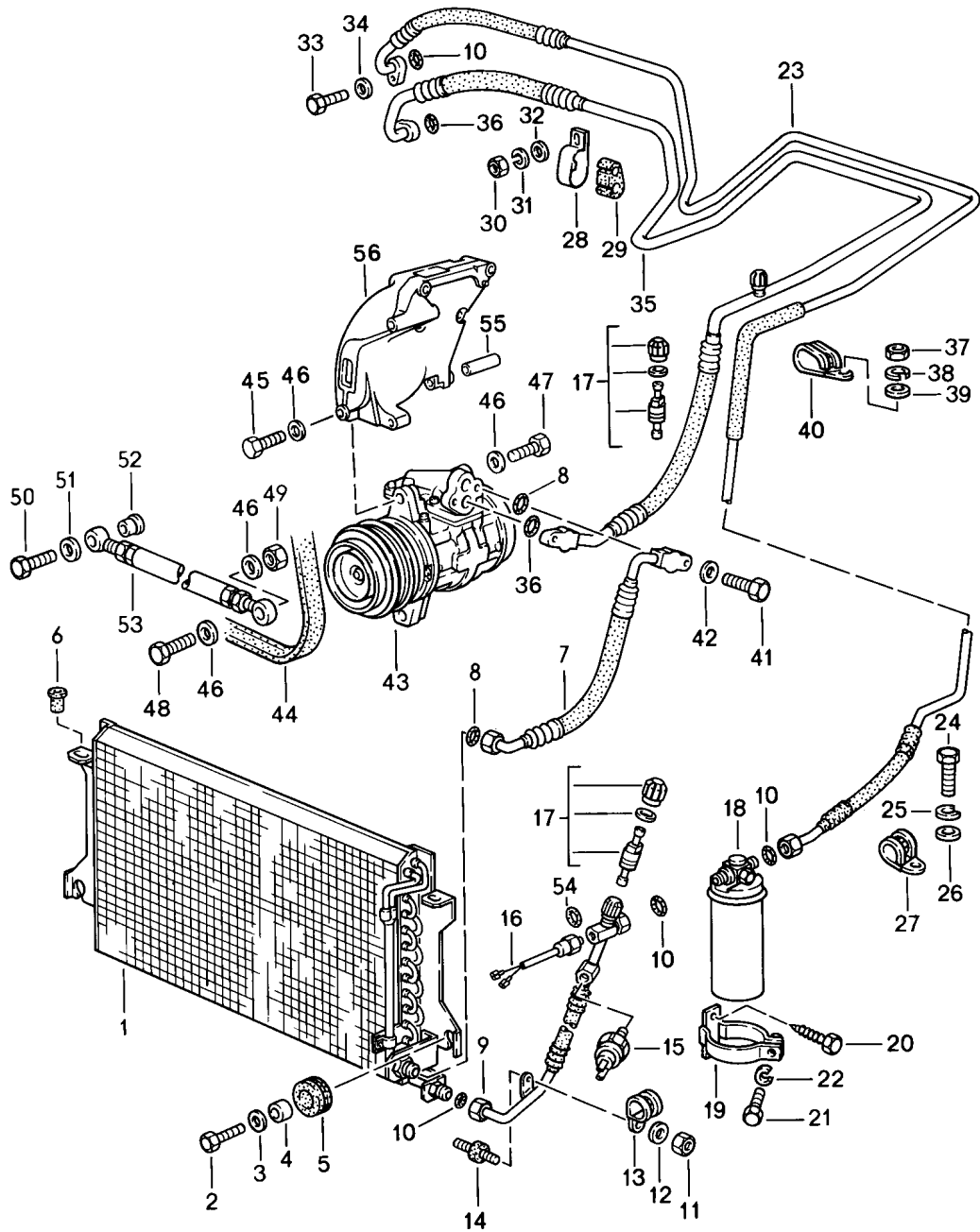


Model: 944 85 Model life 1985>>1988

Pos	Part Number	Description	Remark	Qty	Model
1	944 552 023 00	Air guide Dashboard trim	/LL	1	
2	944 572 419 00	Knob		1	
3	944 572 421 00	Spring		1	
4	944 572 251 00	Side vent	/L	1	
	944 572 251 00 QE7	Black			
	944 572 251 00 QE8	Brown			
	944 572 251 00 QE9	Burgundy			
5	944 572 252 00	Side vent	/R	1	
	944 572 252 00 QE7	Black			
	944 572 252 00 QE8	Brown			
	944 572 252 00 QE9	Burgundy			
6	944 572 241 00	Air guide	/L	1	
7	944 572 242 00	Air guide	/R	1	
8	944 572 425 00	Air guide	/LL	1	
9	944 572 427 00	Air guide	/LL	1	
10	944 572 426 00	Air guide		1	
11	944 572 125 00	Footwell outlet vent	/L	1	
(11)	944 572 126 00	Footwell outlet vent	/R	1	
12	944 572 415 00	Footwell outlet vent	/LL /L	1	
(12)	944 572 416 00	Footwell outlet vent	/LL /R	1	
13	944 573 613 00	Air hose		1	
14	944 573 355 00	Air vent		1	
15	477 819 179 A	Cover	/L	1	
	477 819 179 A 01C	Black			
(15)	477 819 180 A	Cover	/R	1	
	477 819 180 A 01C	Black			
16	477 819 175	Cover		2	

Model: 944 85

Model life 1985>>1988



Model: 944 85 Model life 1985>>1988

Pos	Part Number	Description	Remark	Qty	Model
1	944 573 011 05	Refrigerant circuit Condenser		1	M573
2	N 010 217 9	Hexagon-head bolt M 6 X 20		2	
3	N 011 612 3	Washer R 6,6		2	
3	N 011 612 C	Washer R 6,6		2	
4	052 109 135	Spacer sleeve		2	
5	056 129 669 B	Grommet		2	
6	944 573 457 00	Rubber sleeve		2	
7	944 573 197 08	Refrigerant line Compressor Condenser		1	
8	999 707 250 40	O-ring		2	
8	999 707 434 41	O-ring		2	
9	944 573 095 03	Refrigerant line F >>94GN4 53223 F >>95GN1 51636		1	944 TURBO
9	944 573 095 04	Refrigerant line Condenser Desiccator F 94GN4 53224>> F 95GN1 51637>>		1	944 TURBO
9	944 573 095 05	Refrigerant line Condenser Desiccator	87	1	
9	944 573 095 08	Refrigerant line Condenser Desiccator		1	
9	944 573 095 09	Refrigerant line Condenser Desiccator		1	
10	999 707 247 40	O-ring		4	
11	900 076 010 02	Nut M 6		1	
11	900 076 010 0B	Nut M 6		1	
12	900 025 008 09	Washer A 6,4		1	
12	900 025 008 04	Washer A 6,4		1	
13	N 020 647 1	Clamp RSGU 23/15		1	
14	928 110 191 00	Bonded rubber buffer		1	
14	999 703 261 00	Bonded rubber buffer		1	
15	959 613 137 00	Low pressure switch		1	
16	928 613 131 01	Thermostat F >>94GN4 51642 F >>95GN1 50846		1	944 TURBO
16	944 653 053 00	Pressure switch High F 94GN4 51643>> F 95GN1 50847>>		1	944 TURBO
17	928 573 096 03	Valve		1	
18	944 573 943 00	Desiccator		1	
19	944 573 081 00	Support		1	
20	N 013 884 5	Hexagon-head tapping screw B 4,8 X 13		2	
21	N 010 264 4	Hexagon-head bolt M 5 X 20		1	
22	N 012 005 3	Lock ring B 5		1	

Model: 944 85 Model life 1985>>1988

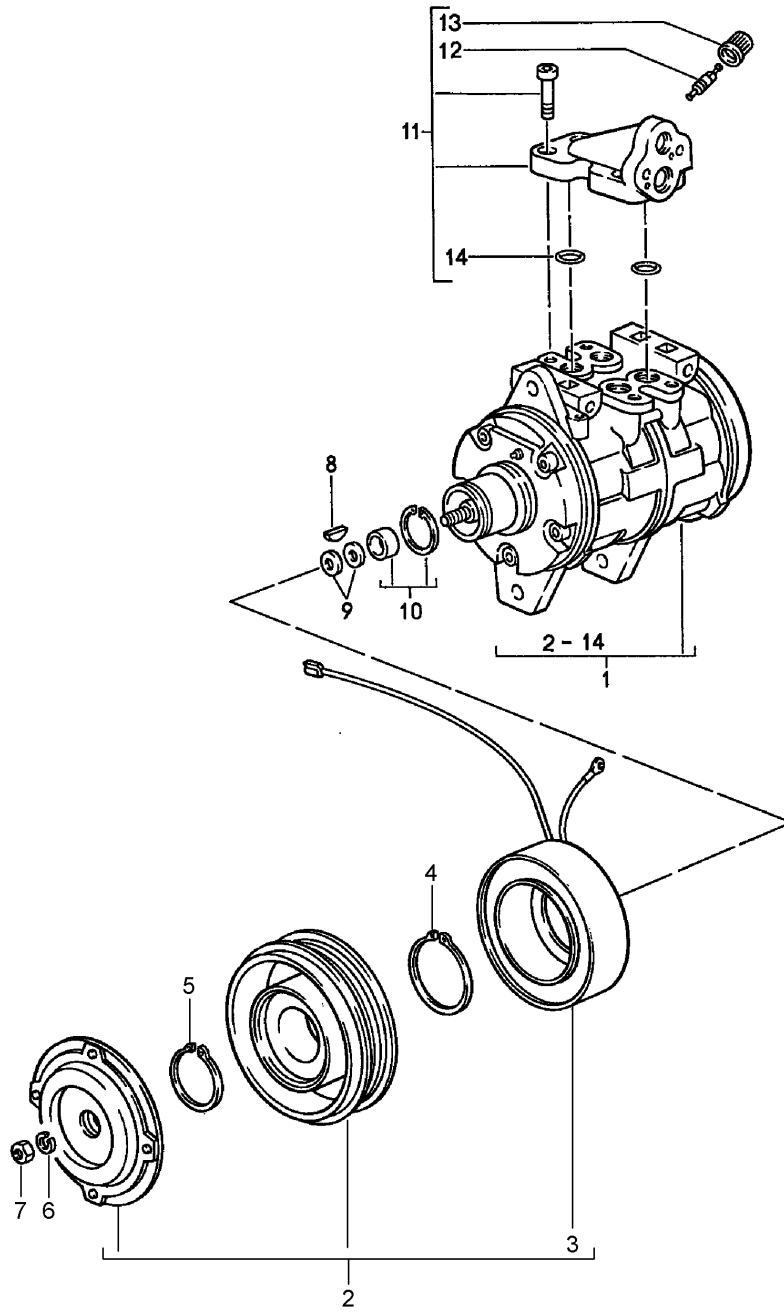
Pos	Part Number	Description	Remark	Qty	Model
23	944 573 093 03	Refrigerant line Desiccator Evaporator	-86	1	
23	944 573 093 04	Refrigerant line Desiccator Evaporator	87	1	
23	944 573 093 05	Refrigerant line Desiccator Evaporator	88	1	
24	N 010 215 13	Hexagon-head bolt M 6 X 15		1	
25	N 012 006 4	Lock ring B 6		1	
26	N 011 524 7	Washer A 6,4		1	
26	N 011 524 27	Washer A 6,4		1	
27	999 511 116 02	Clamp B 15 X 10 GI		1	
27	999 511 116 03	Clamp B 15 X 10 GI		1	
28	944 573 453 00	Support		1	
29	944 573 455 00	Spacer		1	
30	900 076 010 02	Nut M 6		1	
30	900 076 010 0B	Nut M 6		1	
31	N 012 006 4	Lock ring B 6		1	
32	N 011 524 7	Washer A 6,4		1	
32	N 011 524 27	Washer A 6,4		1	
33	900 075 016 02	Hexagon-head bolt M 6 X 22		2	
33	900 075 016 03	Hexagon-head bolt M 6 X 22		2	
34	N 011 524 7	Washer A 6,4		1	
34	N 011 524 27	Washer A 6,4		1	
35	944 573 091 03	Refrigerant line Evaporator Compressor	-86	1	
35	944 573 091 05	Refrigerant line Evaporator Compressor	87-	1	944,944S
35	944 573 091 07	Refrigerant line Evaporator Compressor	87-	1	944,944S
(35)	951 573 091 02	Refrigerant line Evaporator Compressor	87-	1	TURBO
36	999 707 251 40	O-ring		2	
37	900 076 010 02	Nut M 6		1	
37	900 076 010 0B	Nut M 6		1	
38	N 012 006 4	Lock ring B 6		1	
39	N 011 524 7	Washer A 6,4		1	
39	N 011 524 27	Washer		1	

Model: 944 85 Model life 1985>>1988

Pos	Part Number	Description	Remark	Qty	Model
40	N 902 512 01	A 6,4 Pipe clamp		1	
41	N 040 222 1	RSGW 1,5 X 15/15 Hexagon-head bolt		1	
42	N 011 525 13	M 8 X 32 Washer		1	
43	944 126 008 00	A 8,4 Compressor		1	
44	999 192 285 50	Poly-rib belt		1	
44	999 192 291 50	K 6 - 1000 LW Poly-rib belt		1	
44	999 192 299 50	K 6 - 1000 LW Poly-rib belt		1	
45	900 082 088 02	K 6 - 1000 LW Hexagon-head bolt		1	
45	900 082 146 01	M 10 X 1,25 X 50 Hexagon-head bolt		1	
46	900 025 008 09	M 10 X 1,25 X 50 Washer		4	
46	900 025 008 04	A 10,5 Washer		4	
47	900 074 139 02	A 10,5 Hexagon-head bolt		1	
47	900 074 139 03	M 8 X 55 Hexagon-head bolt		1	
48	N 040 125 1	M 8 X 55 Hexagon-head bolt		1	
49	900 910 034 02	M 10 X 1,25 X 30 Lock nut		1	
50	N 010 359 4	M 10 Hexagon-head bolt		1	
51	900 025 007 02	M 8 X 38 Washer		1	
51	900 025 007 03	A 8,4 Washer		1	
52	944 126 127 01	A 8,4 Bush		1	
53	944 126 021 03	Strut		1	
54	999 707 261 40	O-ring		1	
-	944 126 135 00	Sleeve		1	
-	944 126 123 04	Bracket		1	

Model: 944 85

Model life 1985>>1988



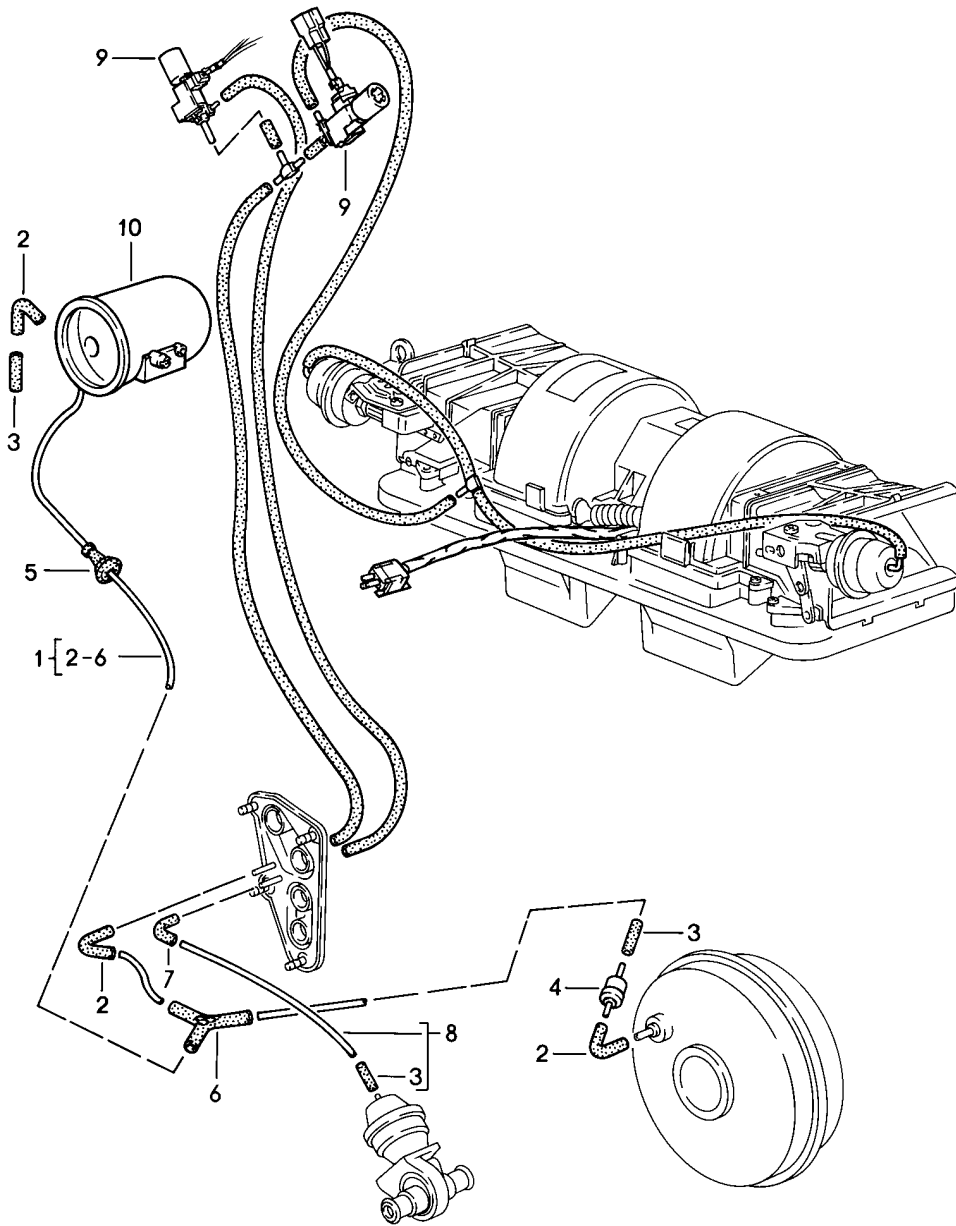
Model: 944 85

Model life 1985>>1988

Pos	Part Number	Description	Remark	Qty	Model
		Compressor			M573
1	944 126 008 00	Compressor		1	
2	944 126 923 01	Clutch		1	
3	944 126 925 01	Solenoid coil		1	
4	477 298 841	Circlip		1	
		Internal diameter 45,8 MM			
5	477 298 843	Circlip		1	
		Internal diameter 37 MM			
6	900 027 015 02	Lock ring		1	
		B 8			
6	900 027 015 03	Lock ring		1	
		B 8			
7	N 011 008 8	Hexagon nut		1	
		M 8			
8	944 126 905 00	Spring		1	
9	477 298 829	Spacer		X	
		0,1 MM			
(9)	477 298 829 A	Spacer		X	
		0,2 MM			
(9)	477 298 829 B	Spacer		X	
		0,5 MM			
(9)	477 298 829 C	Spacer		X	
		0,8 MM			
(9)	477 298 829 B	Spacer		X	
		1,0 MM			
10	930 126 921 00	Set of shaft seals		1	
11	944 126 940 00	Valve		1	
12	928 573 908 03	Valve insert		1	
13	928 573 909 02	Cap		1	
14	944 126 935 01	O-ring		1	

Model: 944 85

Model life 1985>>1988



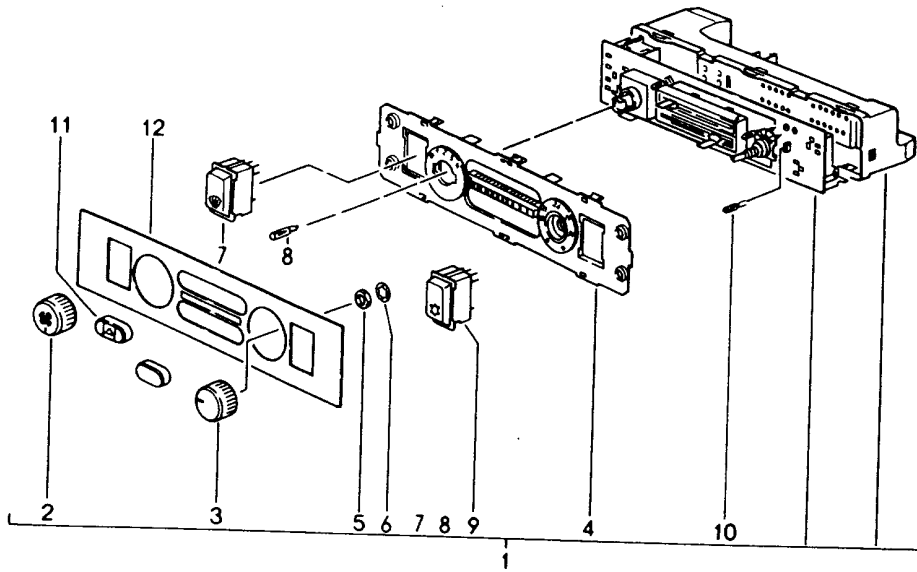
Model: 944 85

Model life 1985>>1988

Pos	Part Number	Description	Remark	Qty	Model
		Vacuum control			
1	944 572 710 00	Vacuum hose	/LL	1	
2	928 574 717 02	Moulded hose	/LL	3	
4	928 537 361 02	Valve		1	
5	477 819 849	Grommet		1	
6	928 573 727 02	Distributing piece		1	
7	928 574 717 02	Moulded hose		1	
8	944 572 709 00	Vacuum hose		1	
9	944 659 215 02	Heater valve	-86	2	
9	944 659 215 03	Heater valve		2	
9	944 659 215 01	Recirculating air valve	87-	1	
9	944 659 215 03	Recirculating air valve	87-	1	
(9)	944 659 215 02	Heater valve	87-	1	
(9)	944 659 215 03	Heater valve	87-	1	
10	945 573 808 00	Vacuum reservoir		1	

Model: 944 85

Model life 1985>>1988



Model: 944 85 Model life 1985>>1988

Pos	Part Number	Description	Remark	Qty	Model
(1)	944 653 021 04	Control switch		1	M573
	944 653 021 04 01C	Control switch Black			
2	944 653 207 00	Knob		1	
		Blower switch			
3	944 653 208 00	Knob		1	
		Temperature control			
4	944 653 911 00	Cover		1	
		Clear			
(4)	944 653 912 00	Cover		1	M424/573
		Clear			
5	999 034 021 30	Hexagon nut		1	
		M 7 X 0,75			
6	900 028 045 02	Spring washer		1	
		A 8			
7	944 653 923 00	Tip switch		1	M424
(7)	944 653 921 00	Tip switch		1	M573
8	900 631 134 90	Bulb		1	
		1,2W			
9	944 653 924 00	Tip switch		1	M424
(9)	944 653 922 00	Tip switch		1	M573
10	999 631 031 90	Bulb		3	
11	944 653 205 00	Knob		2	
12	944 653 203 00	Cover		1	
	944 653 203 00 1DB	Black			

Model: 944 85

Model life 1985>>1988



Model: 944 85 Model life 1985>>1988

Pos	Part Number	Description	Remark	Qty	Model
>>	944 538 001 21	Repair kits Set of locks Set for Door handle And Ignition starter lock Rear lid lock Glove compartment lock And Fuel tank cap Comprising: Rear lid lock Lock cylinder Door handle Lock cylinder Ignition starter lock Lock cylinder Fuel tank cap Glove compartment lock Key Use also: 944.201.061.01	85	1	
>>	944 538 001 21	Set of locks F >>94JN4 65546 F >>94JN4 73458 F >>95JN1 51355 F >>95JN1 60105	-87 (USA) (CDN)	1	944S 944 TURBO TURBO
>>	944 538 001 23	Set of locks F >>94JN4 65546 F >>94JN4 73458 F >>95JN1 51355 F >>95JN1 60105	86-87 (USA) (CDN)	1	M341 944S 944 TURBO TURBO
>>	944 538 001 21	Set of locks F >>94JN4 65546 F >>94JN4 73458 F >>95JN1 51355 F >>95JN1 60105	87 (USA) (CDN)	1	M562 944S 944 TURBO TURBO
>>	944 538 001 23	Set of locks F >>94JN4 65546 F >>94JN4 73458 F >>95JN1 51355 F >>95JN1 60105	87 (USA) (CDN)	1	M341/562 944S 944 TURBO TURBO
>>	944 538 001 30	Set of locks F 94JN4 65547>> F 94JN4 73459>> F 95JN1 51356>> F 95JN1 60106>>	88- (USA) (CDN)	1	944S 944 TURBO TURBO
>>	944 538 001 27	Set of locks F 94JN4 65547>> F 94JN4 73459>> F 95JN1 51356>> F 95JN1 60106>> Set of locks Comprising: Door handle Door handle Lock cylinder Ignition starter lock Lock cylinder Rear lid lock Lock cylinder Fuel tank cap	88- (USA) (CDN) /L /R	1 1 1 1 1 1 1	M341 944S 944 TURBO TURBO

Model: 944 85 Model life 1985>>1988

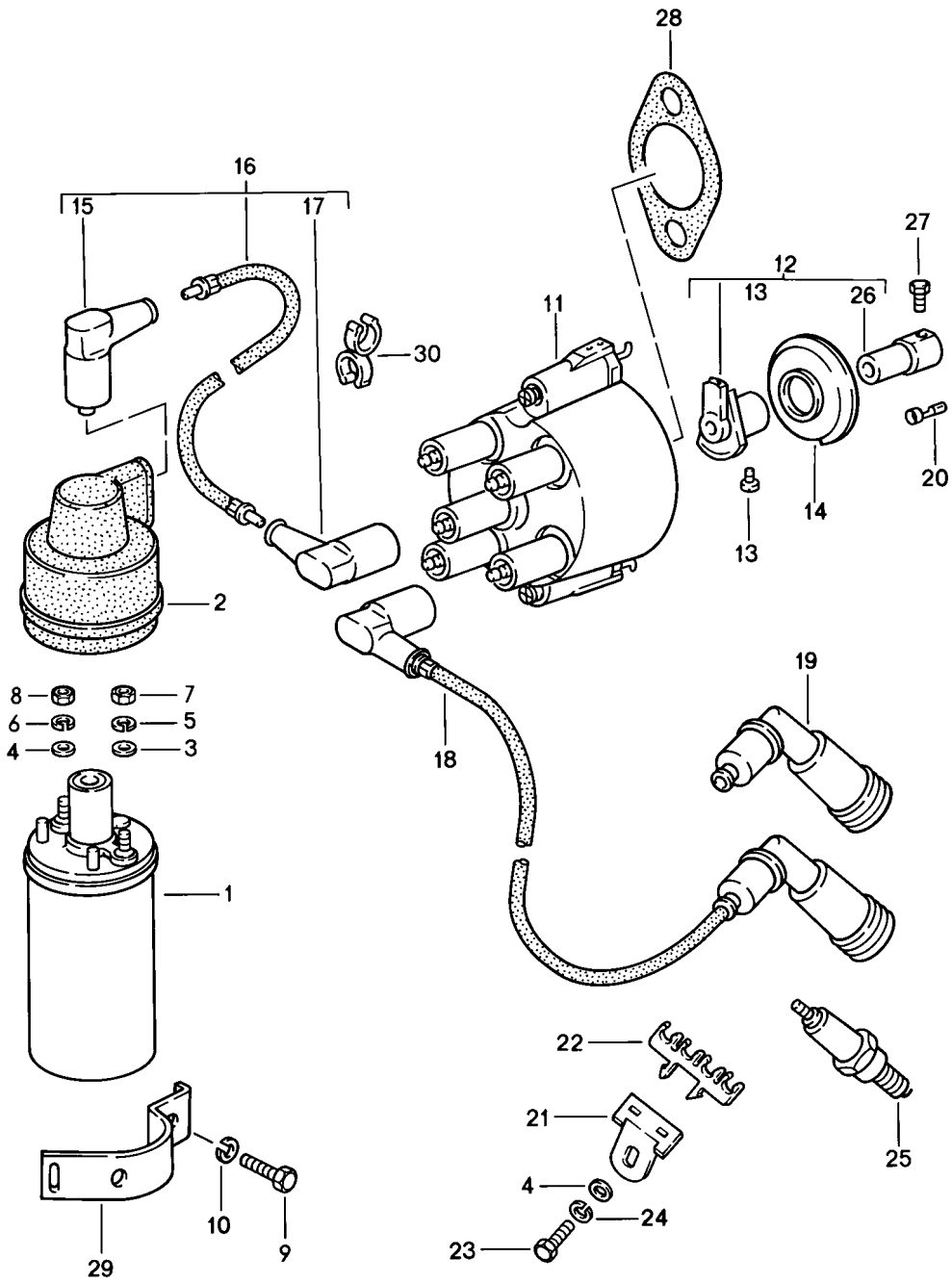
Pos	Part Number	Description	Remark	Qty	Model
		Glove compartment lock		1	
		Rear lid lock	/L	1	
		Rear lid lock	/R	1	
		Secondary key		3	
		Key ring		1	
		Key tag		1	
>>	000 043 038 00	Adhesive set for Windscreen		1	
>>	000 043 069 00	Adhesive set for Brake light		1	
>>	000 043 303 19	Raised Adhesive set for Brake light		1	
>>	944 731 902 00	Raised Installation set Door mirror Plane Electrically adjustable And Heated	/LL /R -86	1	
-	911 731 044 03	Comprising: Mirror housing		1	
-	928 731 143 08	Mirror base		1	
-	999 143 003 02	Hexagon-head bolt M 5 X 10		3	
-	944 731 027 01	Covering frame with Transmission And Mirror housing	/R /L	1	
-	944 731 035 02	Mirror glass Plane		1	
-	477 831 140 C	Reinforcement		1	
-	928 531 235 03	Threaded piece		1	
-	N 013 295 1	Tensioning sleeve		1	
-	944 731 508 00	Desk pad		1	
-	911 731 257 02	Guide tube		1	
-	911 731 257 03	Guide tube		1	
-	911 731 345 02	Centring washer Lower		1	
-	911 731 347 00	Centring washer Upper		1	
-	911 731 029 01	Compression spring		1	
-	944 613 220 00	Rocker switch without M 651		1	
-	944 612 034 00	Power window Order also: Wiring harness		1	
-	477 971 910	Bellows		1	
-	951 504 951 00	Winged rear apron Set Comprising:		1	944,944S M472
-	951 504 051 00	Winged rear apron	/L	1	
-	951 504 052 00	Winged rear apron	/R	1	
-	900 910 010 02	Lock nut M 6		4	
-	N 011 666 7	Washer		4	
-	999 218 057 00	Pan-head screw M 6 X 10		5	

Model: 944 85 Model life 1985>>1988

Pos	Part Number	Description	Remark	Qty	Model
-	N 011 557 6	Washer		5	
-	999 507 336 02	Captive nut M 6		5	
-	944 501 941 00	Repair kit Rivet		1	
		Comprising: Rivet		20	
		Assembly sleeve		1	
>>	931 559 901 00	Set of moldings Moulding		1	M418
-	931 559 137 00	Side guard Wing	/V	2	
-	931 559 133 00	Side guard Door	/L	1	
-	931 559 134 00	Side guard Door	/R	1	
-	931 559 141 00	Side guard Side section	/L	1	
-	931 559 142 00	Side guard Side section	/R	1	
		Use also: Adhesive AMV 176.000.05		1	

Model: 944 85

Model life 1985>>1988



Model: 944 85 Model life 1985>>1988

Pos	Part Number	Description	Remark	Qty	Model
		Engine electrics 1			,06 M44.05 07,08,09,10 51,52
1	944 602 115 00	Ignition coil		1	
2	944 602 801 00	Protection cap		1	
3	900 025 003 02	Washer A 5,3		1	
4	N 011 524 7	Washer A 6,4		1	
4	N 011 524 27	Washer A 6,4		1	
5	N 012 005 3	Lock ring B 5		1	
6	N 012 006 4	Lock ring B 6		1	
7	N 011 005 14	Hexagon nut M 5		1	
7	900 076 091 01	Hexagon nut M 5		1	
8	900 076 010 02	Nut M 6		1	
8	900 076 010 0B	Nut M 6		1	
9	900 025 007 02	Washer A 8,4		2	
9	900 025 007 03	Washer A 8,4		2	
10	N 014 706 7	Pan-head screw		2	
10	N 014 706 8	Pan-head screw		2	
11	944 602 251 00	Distributor cap		1	
12	944 602 901 00	Rotor Comprising: POS. 12, 13, 26		1	
12	944 602 901 01	Rotor Comprising: POS. 12, 13, 26		1	
13		Pan-head screw		1	
14	944 602 803 00	Dust cover		1	
15	944 609 131 00	Ignition coil plug		1	
16	944 609 017 01	Ignition lead		1	
17	944 609 133 00	Distributor plug		5	
18	944 609 015 15	Ignition lead for Cylinder 1		1	
(18)	944 609 015 16	Ignition lead for Cylinder 2		1	
(18)	944 609 015 17	Ignition lead for Cylinder 3		1	
(18)	944 609 015 18	Ignition lead for Cylinder 4		1	
19	928 609 105 03	Ignition cable connector		4	
20	911 609 310 00	Cable screw		X	
21	944 609 217 00	Support for Ignition lead		1	
22	052 905 471 A	Support for Ignition lead		4	
23	999 072 005 09	Hexagon nut		1	

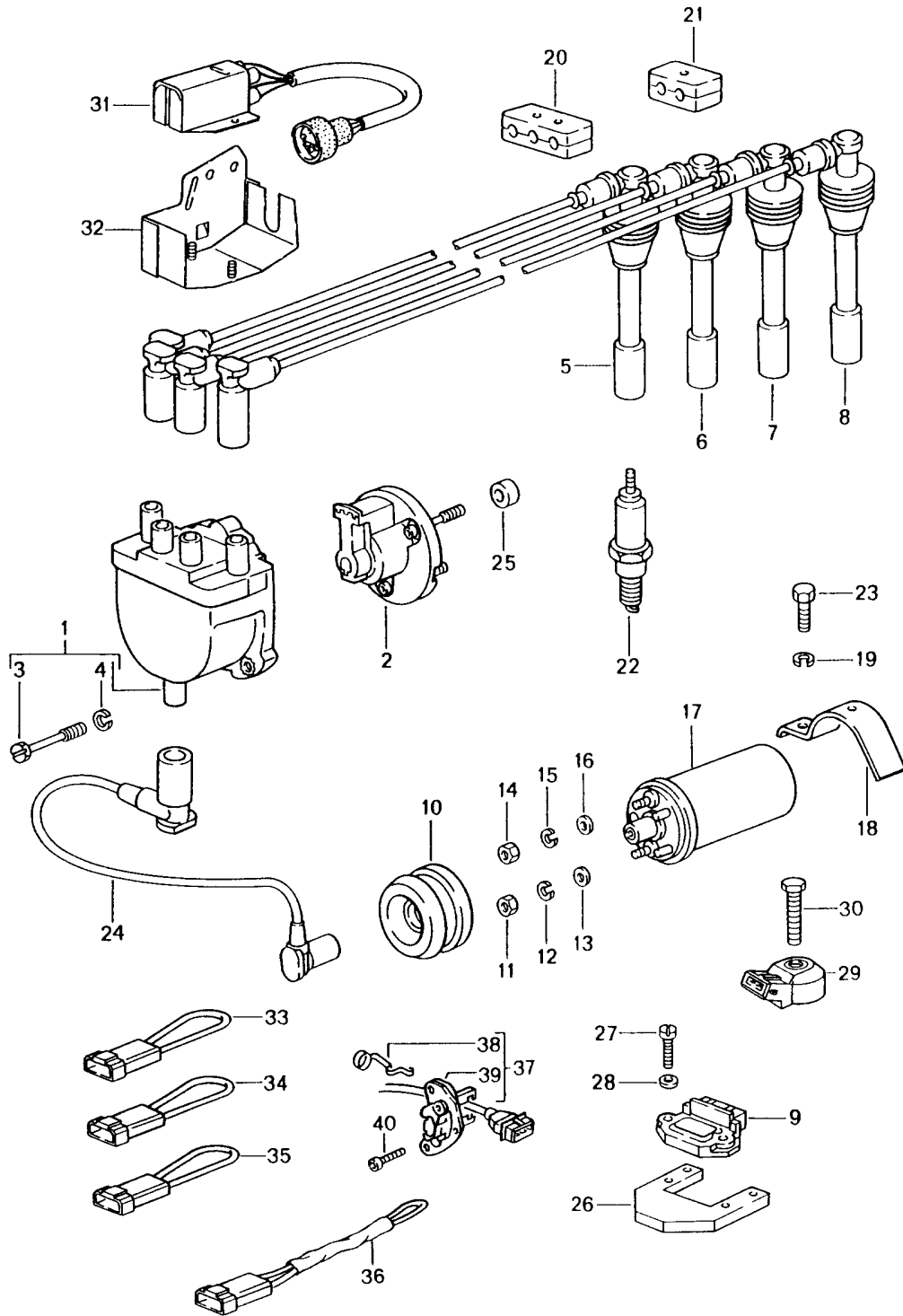
Model: 944 85

Model life 1985>>1988

Pos	Part Number	Description	Remark	Qty	Model
23	999 072 005 01	M 6 X 12 Hexagon nut		1	
24	N 012 226 5	M 6 X 12 Spring washer		1	
		B 6 Spark plug			
		Use also: 547 09222		X	
		for Spark plug			
-	547 09 222	Nut		X	
		for Spark plug			
25	999 170 062 90	Spark plug WR 8 DS	-85	4	
		- bosch -			
25	999 170 156 90	Spark plug WR 7 DC	86-	4	
		- bosch -			
27	999 217 008 02	Hexagon-head bolt M 5 X 10		1	
28	944 602 257 00	Sealing sleeve		1	
29	944 602 294 00	Clamping bow		1	
29	944 602 294 01	Clamping bow		1	M44.52
30	944 609 227 00	Support		1	
		for Ignition lead			
-	944 609 219 00	Support		1	M44.51/52
		for Ignition lead			

Model: 944 85

Model life 1985>>1988



Model: 944 85 Model life 1985>>1988

Pos	Part Number	Description	Remark	Qty	Model
		Engine electrics 1			M44.40
1	928 602 211 01	Distributor cap		1	
-	944 602 544 00	Sticker		1	
		Firing order			
2	944 602 213 00	Rotor		1	
2	944 602 213 01	Rotor		1	
3	928 602 223 00	Screw		3	
4	N 012 005 3	Lock ring		3	
		B 5			
5	944 602 060 05	Ignition lead		1	
		Cylinder 1			
6	944 602 060 06	Ignition lead		1	
		Cylinder 2			
7	944 602 060 07	Ignition lead		1	
		Cylinder 3			
8	944 602 060 08	Ignition lead		1	
		Cylinder 4			
9	928 602 706 01	Ignition switch unit		1	
10	944 602 801 00	Protection cap		1	
11	900 076 010 02	Nut		1	
		M 6			
11	900 076 010 0B	Nut		1	
		M 6			
12	N 012 006 4	Lock ring		1	
		B 6			
13	N 011 524 7	Washer		1	
		A 6,4			
13	N 011 524 27	Washer		1	
		A 6,4			
14	N 011 005 14	Hexagon nut		1	
		M 5			
14	900 076 091 01	Hexagon nut		1	
		M 5			
15	N 012 005 3	Lock ring		1	
		B 5			
16	900 025 003 02	Washer		1	
		A 5,3			
17	944 602 115 00	Ignition coil		1	
18	944 602 294 00	Clamping bow		1	
19	900 025 007 02	Washer		1	
		A 8,4			
19	900 025 007 03	Washer		1	
		A 8,4			
20	928 602 323 00	Cable holder		1	
		Single parts			
		Complete			
		in pairs			
		Order			
21	928 602 322 00	Cable holder		1	
		Single parts			
		Complete			
		in pairs			
		Order			
		Spark plug			
		Use also:			
		547 09222		X	
		for			
		Spark plug			
-	547 09 222	Nut		X	
		for			
		Spark plug			
22	999 170 156 90	Spark plug		4	
		Spark plug			
		WR 7 DC			

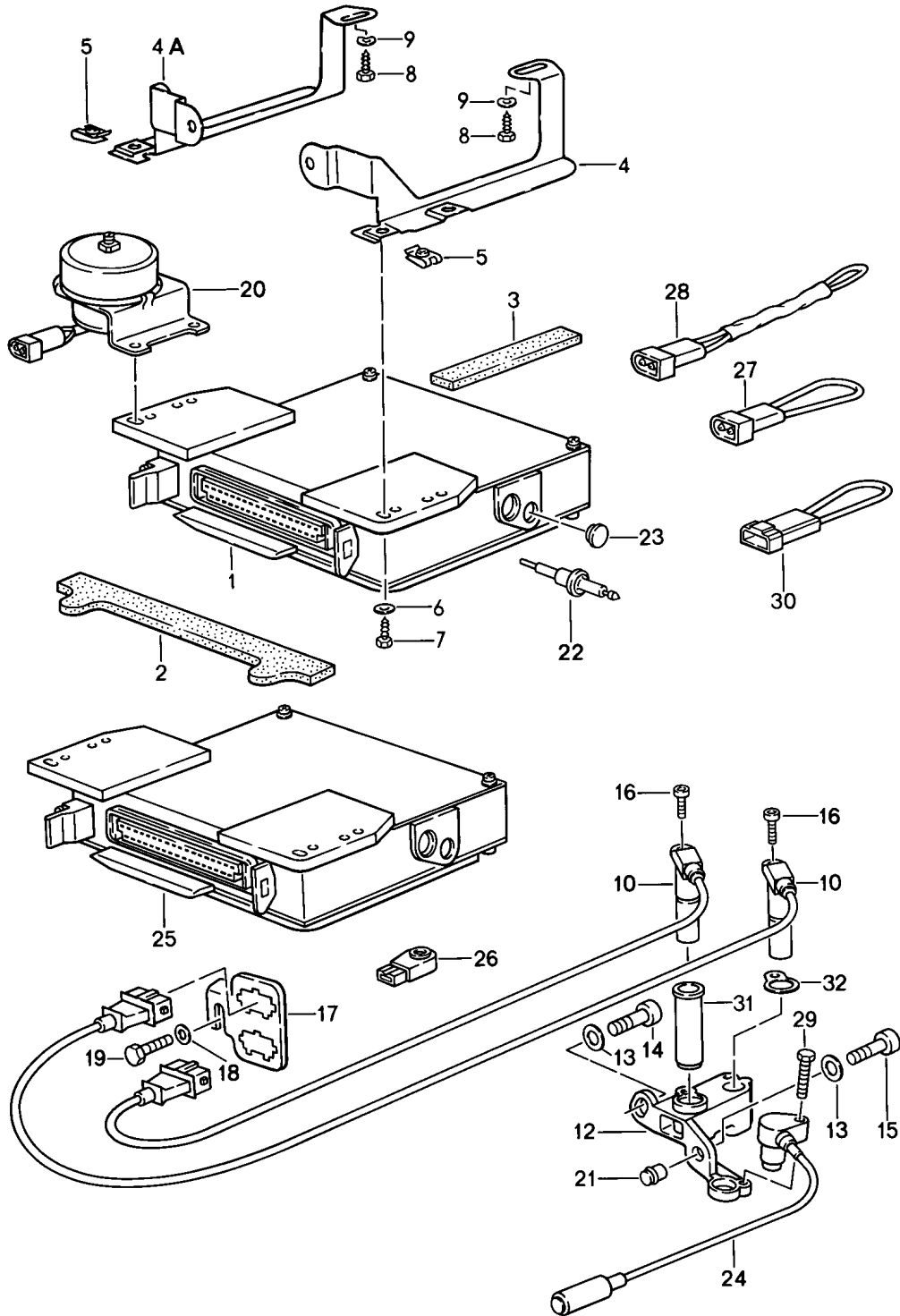
Model: 944 85

Model life 1985>>1988

Pos	Part Number	Description	Remark	Qty	Model
23	N 014 706 7	- bosch - Pan-head screw M 8 X 12		1	
23	N 014 706 8	Pan-head screw M 8 X 12		1	
24	944 602 060 09	Ignition lead		1	
25	944 105 137 01	Spacer sleeve		3	
25	944 105 137 02	Spacer sleeve		3	
26	035 905 357 A	Heat dissipator		1	
27	N 014 125 1	Oval-head screw M 4 X 18		2	
28	900 025 003 02	Washer A 5,3		2	
29	944 606 145 00	Knock sensor		2	
30	N 010 233 6	Hexagon-head bolt M 8 X 28		1	
30	900 075 136 03	Hexagon-head bolt M 8 X 28		1	
31	944 616 523 00	Ballast resistor for Injector valve		1	
32	944 606 141 02	Support		1	
33	928 607 421 00	Coding plug		1	
37	944 606 170 02	Hall sender		1	
38	928 606 282 00	Tensioning spring		1	
39	928 606 180 01	Cap		1	
40	900 067 255 02	Pan-head screw M 5 X 12		2	

Model: 944 85

Model life 1985>>1988



Model: 944 85 Model life 1985>>1988

Pos	Part Number	Description	Remark	Qty	Model
1	944 618 121 04	Engine electrics 2 Control unit	-87	1	M44.07/08
1	944 618 121 DX	Control unit - dme -	-87	1	M44.07/08
1	944 618 121 05	Control unit	88	1	M44.09/10
1	944 618 121 EX	Control unit - dme -	88	1	M44.09/10
1	944 618 124 01	Control unit - dme -		1	M44.40
1	951 618 121 08	Control unit - dme -	88	1	M44.50/51
1	951 618 121 10	Control unit	88	1	M44.52
1	951 618 121 KX	Control unit - dme -	88	1	M44.52
-	944 612 417 01	Cap for Safety contact		1	
2	944 618 119 00	Plastic foam strip		1	
3	944 618 120 00	Plastic foam strip		1	
4	944 618 141 00	Bracket	/L	1	
4A	944 618 142 00	Bracket	/R	1	
5	N 901 561 01	Speed nut		4	
6	900 025 003 02	Washer A 5,3		4	
7	900 187 004 02	Hexagon-head tapping screw B 4,8 X 18		4	
8	N 013 884 5	Hexagon-head tapping screw B 4,8 X 13	/LL	2	
9	N 012 225 2	Spring washer B 5	/LL	2	
10	944 606 115 00	Pulse sender		2	
(12)	944 101 031 03	Support		1	
12	944 101 321 07	Support		1	
13	900 025 007 02	Washer A 8,4		2	
13	900 025 007 03	Washer A 8,4		2	
14	N 014 726 3	Pan-head screw M 8 X 30		1	
15	N 014 725 2	Pan-head screw M 8 X 25		1	
15	900 067 018 03	Pan-head screw M 8 X 25		1	
16	999 217 026 02	Locking screw M 6 X 24			
17	944 612 151 00	Support		1	
18	N 011 524 7	Washer A 6,4		1	
18	N 011 524 27	Washer A 6,4		1	
19	N 010 215 13	Hexagon-head bolt M 6 X 15		1	
20	944 606 051 00	altitude capsule		1	
21	900 197 047 08	Tensioning sleeve		1	
24	911 606 108 00	Timing mark sender for Top dead center		1	
25	951 618 113 02	Control unit		1	M44.50/51
25	951 618 113 BX	Control unit Antiknock regulation		1	M44.50/51
25	951 618 113 09	Control unit		1	M44.52
25	951 618 113 JX	Control unit		1	M44.52

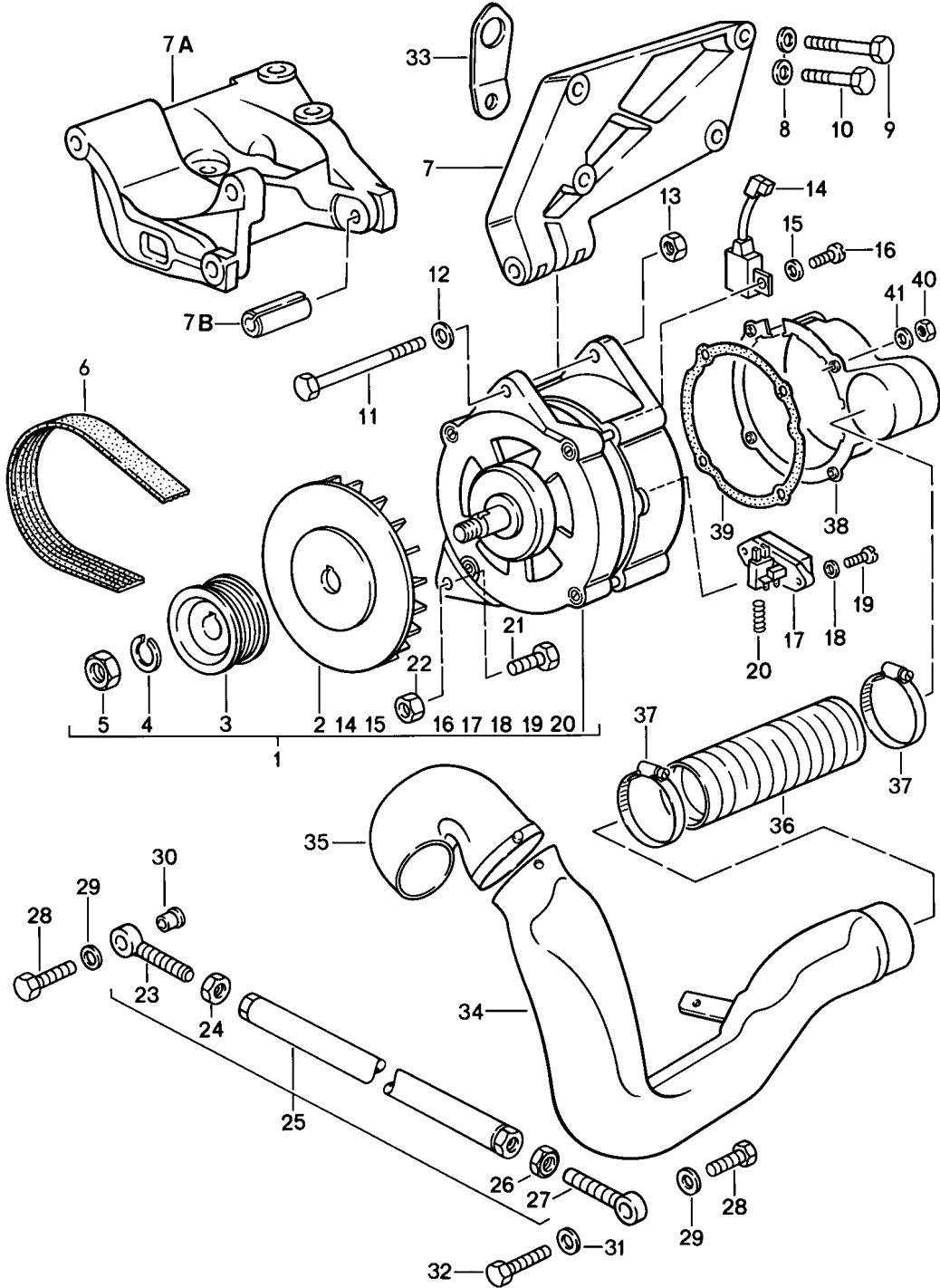
Model: 944 85

Model life 1985>>1988

Pos	Part Number	Description	Remark	Qty	Model
26	944 606 145 00	Antiknock regulation Knock sensor		1	M44.50/51/52
-	N 010 233 6	Hexagon-head bolt M 8 X 28		1	M44.50/51/52
-	900 075 136 03	Hexagon-head bolt M 8 X 28		1	M44.50/51/52
-	999 915 031 00	Sealing compound CURIL K 2 1 100-gramme tube		X	
27	944 612 525 00	Coding plug		1	
28	944 612 421 00	Adapter plug		1	
29	999 217 048 02	Hexagon-head bolt M 8 X 25		1	
30	911 612 422 00	Adapter plug		1	
31	944 101 320 00	Sleeve		1	
32	944 101 335 00	Washer 0,3		X	
32	951 101 325 00	Washer 2,0		X	

Model: 944 85

Model life 1985>>1988



Model: 944 85 Model life 1985>>1988

Pos	Part Number	Description	Remark	Qty	Model
		Generator with Mounting parts			
1	944 603 019 01	Generator		1	
1	928 603 011 05	Generator		1	
1	928 603 011 EX	Generator		1	
2	928 603 443 02	Fan		1	
3	944 603 021 01	Pulley		1	
4	928 603 611 00	Retainer		1	
5	900 034 013 02	Hexagon nut M 16 X 1,5		1	
5	900 034 013 01	Hexagon nut M 16 X 1,5		1	
6	999 192 284 50	Poly-rib belt K 6 X 720		1	
(6)	999 192 290 50	Poly-rib belt K 6 X 720		1	
(6)	999 192 299 50	Poly-rib belt K 6 X 1000		1	M573
7A	944 126 123 06	Bracket		1	M573
7B	944 126 135 00	Sleeve		1	M573
8	N 011 527 12	Washer A 10,5		4	
8	900 025 081 01	Washer A 10,5		4	
9	N 010 470 7	Hexagon-head bolt M 10 X 70		4	
9	N 010 470 1	Hexagon-head bolt M 10 X 70		4	
(9)	N 010 470 7	Hexagon-head bolt M 10 X 70		3	TURBO
(9)	N 010 470 1	Hexagon-head bolt M 10 X 70		3	TURBO
10	N 010 480 3	Hexagon-head bolt M 10 X 80		1	TURBO
11	900 074 197 02	Hexagon-head bolt M 10 X 130		1	
12	900 025 008 09	Washer A 10,5		1	
12	900 025 008 04	Washer A 10,5		1	
13	900 910 031 09	Lock nut VF M 10		1	
13	900 910 031 01	Lock nut VF M 10		1	
14	944 603 143 00	Condenser		1	
15	N 012 226 5	Spring washer A 6		1	
16	N 010 710 8	Pan-head screw AM 6 X 10		1	
(17)	928 603 142 00	Regulator		1	
18	N 012 004 2	Lock ring B 4		2	
19	N 014 125 1	Oval-head screw AM 4 X 18		2	
20	059 903 519	Compression spring		1	
21	N 010 340 6	Hexagon-head bolt M 8 X 40		1	M573
22	900 910 022 09	Lock nut VM 8		1	M573
22	900 910 022 03	Lock nut VM 8		1	M573
23	900 037 016 02	Eye screw		1	

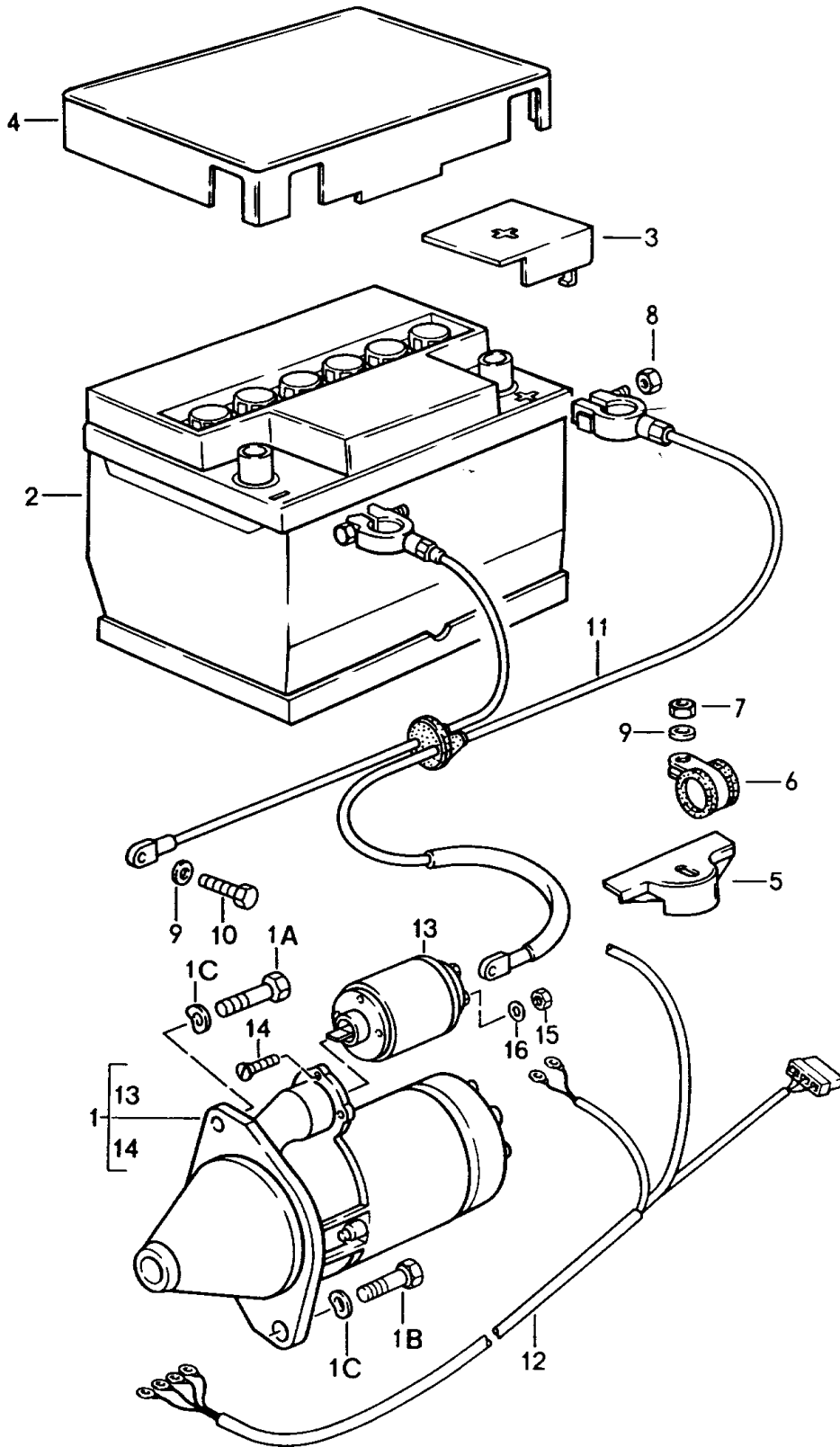
Model: 944 85

Model life 1985>>1988

Pos	Part Number	Description	Remark	Qty	Model
(23)	900 037 018 02	Eye screw		1	M573
24	N 011 008 24	Hexagon nut M 8		1	
(24)	900 076 033 02	Hexagon nut M 10		1	M573
25	944 126 021 03	Strut		1	
26	900 076 025 02	Hexagon nut M 8		1	
26	900 076 064 02	Hexagon nut M 8		1	
(26)	N 011 010 6	Hexagon nut M 10		1	M573
(26)	N 101 552 10	Hexagon nut M 10		1	M573
27	900 037 019 02	Eye screw		1	
(27)	900 037 017 02	Eye screw		1	M573
28	N 010 445 2	Hexagon-head bolt M 10 X 45		1	
28	900 074 372 01	Hexagon-head bolt M 10 X 45		1	
29	900 025 008 09	Washer		2	
29	900 025 008 04	Washer		2	
30	944 126 127 01	Bush		1	M573
31	900 025 008 09	Washer A 10,5		1	M573
31	900 025 008 04	Washer A 10,5		1	M573
32	N 040 125 1	Hexagon-head bolt M 10 X 1,25 X 30		1	M573
33	944 101 411 02	Bracket for transportation		1	
34	944 603 441 00	Air guide Long		1	
35	944 603 442 00	Air guide Short		1	
36	944 603 153 00	Connecting hose 60 X 200		1	
(36)	944 603 153 01	Connecting hose 60 X 450		1	M573
-	900 910 010 09	Lock nut M 6		1	
-	N 011 524 7	Washer A 6,4		1	
-	N 011 524 27	Washer A 6,4		1	
37	999 512 349 02	Hose clamp		2	
37	999 512 349 01	Hose clamp		2	
37	999 512 349 0B	Hose clamp		2	
38	951 603 115 02	Ventilation cowl		1	
(38)	951 603 113 03	Ventilation cowl		1	M573
39	928 603 135 03	Sealing ring		1	
40	N 011 005 14	Hexagon nut M 5		4	
40	900 076 091 01	Hexagon nut M 5		4	
41	N 012 225 3	Spring washer B 5		4	
-	999 511 116 02	Clamp		1	
-	999 511 116 03	Clamp		1	
-	999 651 168 40	Cable holder		1	
-	181 971 847	Cable clip		1	

Model: 944 85

Model life 1985>>1988



Model: 944 85 Model life 1985>>1988

Pos	Part Number	Description	Remark	Qty	Model
		Starter			
		Battery			
		Wiring harnesses			
1	951 604 101 00	Starter		1	
1	951 604 101 X	Starter		1	
1	951 604 101 AX	Starter		1	
1A	N 010 491 1	Hexagon-head bolt M 12 X 50		1	
1B	N 040 253 1	Hexagon-head bolt M 12 X 35		1	
1C	900 028 014 02	Washer B 12		2	
1C	900 028 014 03	Washer B 12		2	
2	944 611 105 00	Battery 63 AH		1	
2	944 611 106 00	Battery 63 AH		1	
2	999 611 065 20	Battery 63 AH		1	
4	477 915 411 A	Battery cover for Battery 63 AH		1	
5	914 611 233 10	Tension terminal	/LL	1	
6	N 020 607 1	Clamp B 20 X 20 GI	/LL	1	
7	900 076 010 02	Nut		1	
7	900 076 010 0B	Nut		1	
8	477 915 489	Hexagon nut M 8		1	
8	900 034 001 05	Hexagon nut M 8		1	
9	N 012 008 5	Lock ring B 8		1	
10	N 010 239 11	Hexagon-head bolt M 8 X 18		1	
10	N 010 239 30	Hexagon-head bolt M 8 X 18		1	
11	944 612 027 00	Wiring harness Battery Starter	/LL	1	
12	944 607 029 00	Wiring harness Starter Generator		1	944/TURBO
12	944 607 029 02	Wiring harness Starter Generator		1	944S
12	944 607 029 01	Wiring harness Starter Generator		1	944/TURBO M573
12	944 607 029 03	Wiring harness Starter Generator		1	944S M573
-	951 604 043 00	Heat shield	/L	1	TURBO
-	951 604 454 01	Heat shield	/R	1	TURBO
-	951 604 454 02	Heat shield	/R	1	TURBO
-	999 659 006 50	Protection cap		1	
13	951 604 902 00	Solenoid engaging switch		1	
14	951 604 901 00	Countersunk-head screw		1	
15	N 011 005 14	Hexagon nut M 5		1	

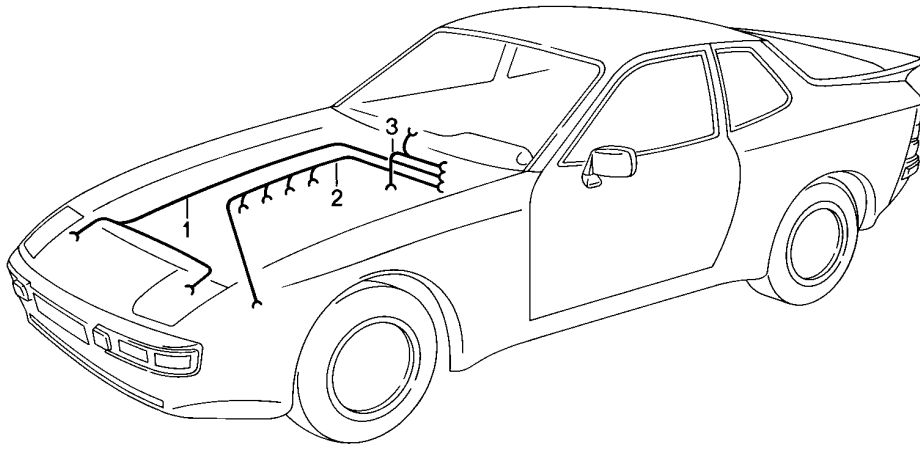
Model: 944 85

Model life 1985>>1988

Pos	Part Number	Description	Remark	Qty	Model
15	900 076 091 01	Hexagon nut M 5		1	
16	900 025 003 02	Washer A 5,3		1	

Model: 944 85

Model life 1985>>1988



Model: 944 85 Model life 1985>>1988

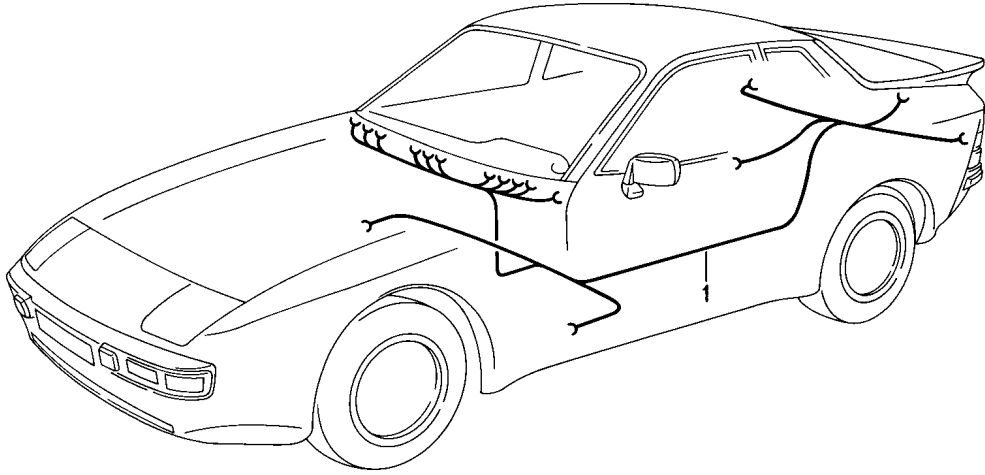
Pos	Part Number	Description	Remark	Qty	Model
		Wiring harnesses Engine Heating Air conditioner			
1	944 612 001 32	Wiring harness Engine compartment	-86	1	944
1	944 612 001 55	Wiring harness Engine compartment	87	1	944
1	944 612 001 75	Wiring harness Engine compartment	88	1	944
1	944 612 001 52	Wiring harness Engine compartment	87	1	944S
1	944 612 001 72	Wiring harness Engine compartment	88	1	944S
1	951 612 001 02	Wiring harness Engine compartment	86	1	TURBO
1	951 612 001 06	Wiring harness Engine compartment	87	1	TURBO
1	951 612 001 11	Wiring harness Engine compartment	88	1	TURBO
2	944 607 021 01	Wiring harness - dme -	-86	1	944
-	944 612 130 00	Rubber sleeve Seal Body		1	
2	944 607 021 02	Wiring harness - dme -	87	1	944
-	944 612 130 00	Rubber sleeve Seal Body		1	
2	944 607 021 03	Wiring harness - dme -	88	1	944
-	944 612 130 00	Rubber sleeve Seal Body		1	
2	944 607 040 01	Wiring harness - dme -	87	1	944S M657
2	944 607 040 02	Wiring harness - dme -	87	1	944S
-	944 612 130 00	Rubber sleeve Seal Body		1	
2	944 607 040 03	Wiring harness - dme -	88	1	944S
-	944 612 130 00	Rubber sleeve Seal Body		1	
2	951 607 021 00	Wiring harness - dme -	-86	1	TURBO
-	944 612 130 00	M >> 44G 00400 Rubber sleeve Seal Body		1	
2	951 607 021 01	Wiring harness - dme -	-86	1	TURBO
-	944 612 130 00	M 45G 00001 >> Rubber sleeve Seal Body		1	
2	951 607 021 02	Wiring harness - dme -	87	1	TURBO
-	944 612 130 00	Rubber sleeve		1	

Model: 944 85 Model life 1985>>1988

Pos	Part Number	Description	Remark	Qty	Model
2	951 607 021 03	Seal Body Wiring harness	88	1	TURBO
-	944 612 130 00	- dme - Rubber sleeve Seal Body		1	
-	911 617 108 00	Diode		1	M657
-	911 617 108 01	Diode		1	M657
		Use also: 825.971.990 Heating		1	
3	944 612 633 00	Air conditioner Wiring harness for Air conditioner And Heating		1	
-	477 971 235	Ground strap Engine Body		1	

Model: 944 85

Model life 1985>>1988



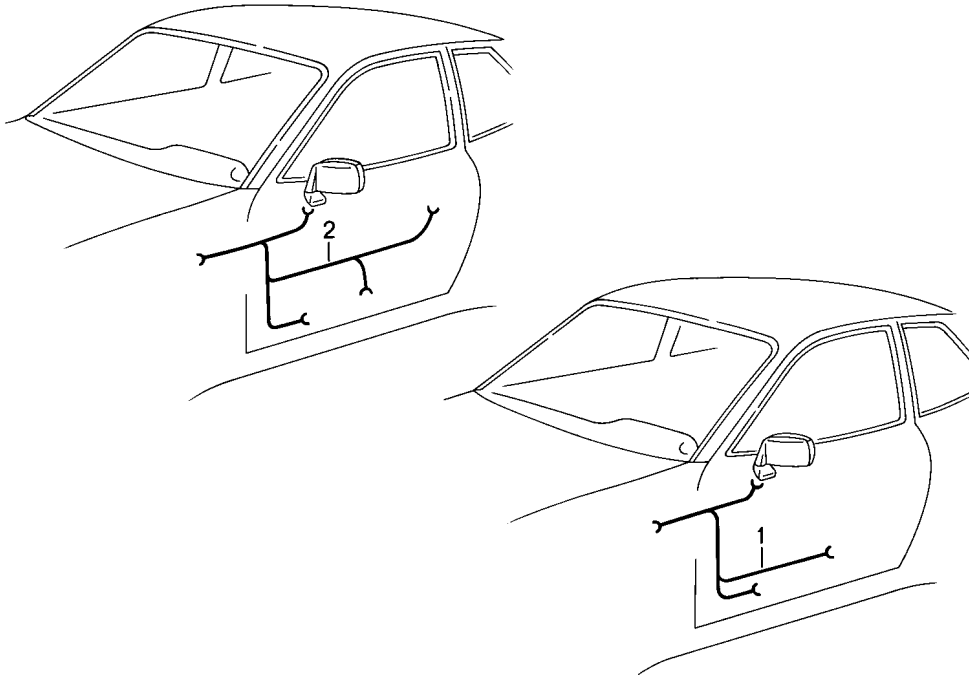
Model: 944 85

Model life 1985>>1988

Pos	Part Number	Description	Remark	Qty	Model
1	951 612 006 01	Wiring harnesses Passenger compartment Wiring harness	85	1	
1	951 612 006 05	Passenger compartment Wiring harness	86	1	
1	951 612 006 10	Passenger compartment Wiring harness	87	1	
1	951 612 006 19	Passenger compartment Wiring harness	88	1	
1	944 612 006 02	Passenger compartment Wiring harness	85	1	AUT.
1	944 612 006 06	Passenger compartment Wiring harness	86	1	AUT.
1	944 612 006 11	Passenger compartment Wiring harness	87	1	AUT.
1	944 612 006 14	Passenger compartment Wiring harness	88	1	AUT.
1	951 612 006 08	Passenger compartment Wiring harness	87	1	M562
1	951 612 006 21	Passenger compartment Wiring harness	88	1	M562
1	944 612 006 09	Passenger compartment Wiring harness	87	1	,AUT. M562
1	944 612 006 16	Passenger compartment Wiring harness Passenger compartment	88	1	, AUT. M562

Model: 944 85

Model life 1985>>1988



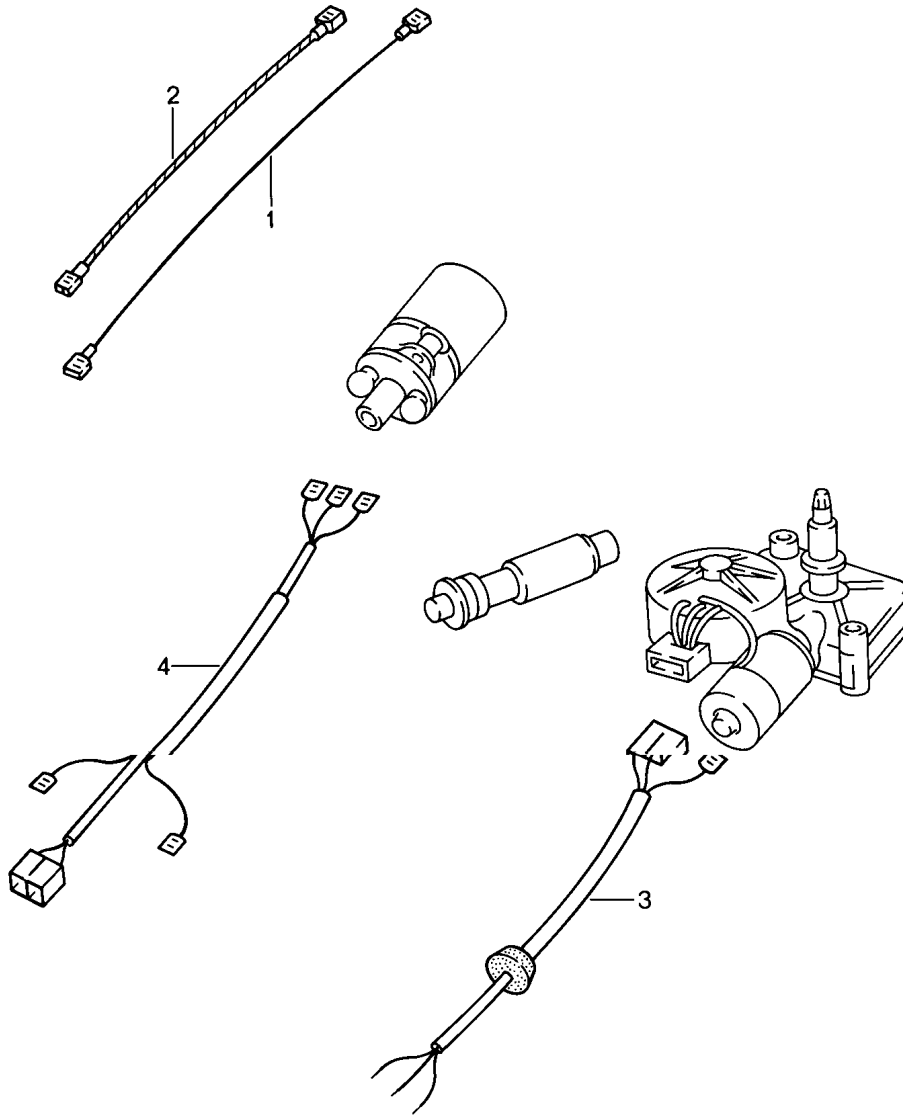
Model: 944 85

Model life 1985>>1988

Pos	Part Number	Description	Remark	Qty	Model
		Wiring harnesses Doors			
1	944 612 033 00	Wiring harness Driver's door	85	1	
1	944 612 033 03	Wiring harness Driver's door	86-	1	
1	944 612 034 00	Wiring harness Passenger's door	85	1	
1	944 612 034 04	Wiring harness Passenger's door	86-	1	
2	944 612 033 04	Wiring harness Driver's door	86-	1	M341
2	944 612 034 03	Wiring harness Passenger's door	86-	1	M341

Model: 944 85

Model life 1985>>1988



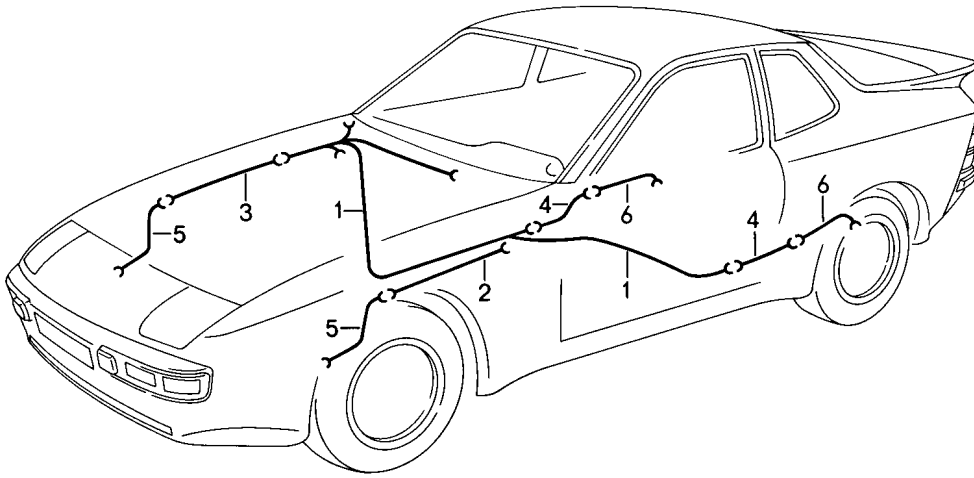
Model: 944 85

Model life 1985>>1988

Pos	Part Number	Description	Remark	Qty	Model
1	477 971 257 B	Wiring harnesses Rear end Single line Gas-pressure spring Rear window		2	
2	477 971 263 B	Ground strap Gas-pressure spring		2	
3	944 612 065 01	Wiring harness for Rear window wiper		1	
4	944 612 051 00	Additional brake light Wiring harness for Fuel pump		1	

Model: 944 85

Model life 1985>>1988

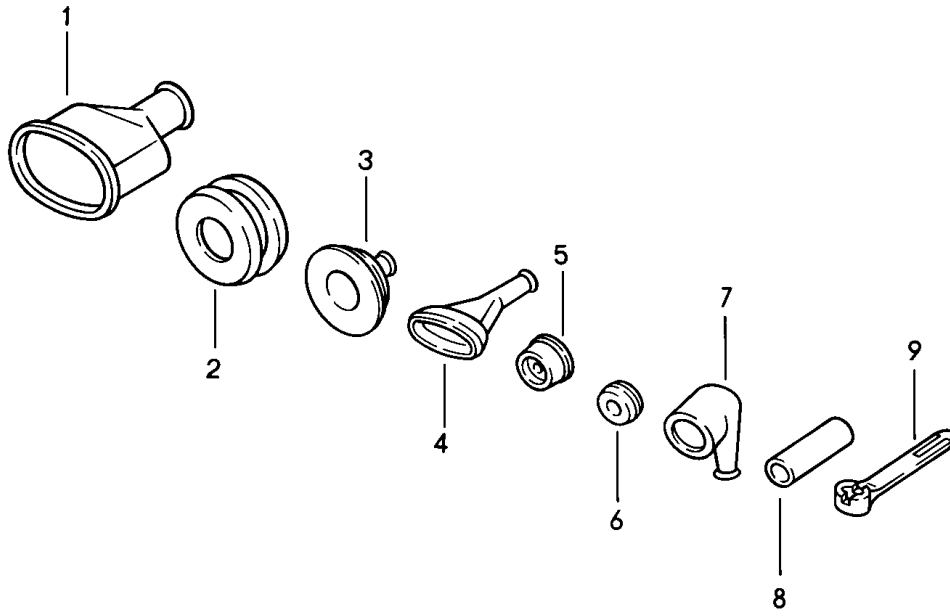


Model: 944 85 Model life 1985>>1988

Pos	Part Number	Description	Remark	Qty	Model
1	944 612 067 00	Wiring harnesses Anti-lock brake system Brake pad wear indicator Wiring harness	/LL	1	
2	944 612 107 00	Anti-lock brake system Additional cable for Brake pad wear indicator		1	
2	944 612 111 00	Additional cable for Anti-lock brake system And Brake pad wear indicator		1	M593
3	944 612 108 00	Additional cable for Brake pad wear indicator		1	
3	944 612 110 00	Additional cable for Anti-lock brake system And Brake pad wear indicator		1	M593
4	944 612 109 00	Additional cable for Brake pad wear indicator		2	
4	944 612 112 00	Additional cable for Anti-lock brake system And Brake pad wear indicator		2	M593
5	928 606 404 02	Speed sensor		2	
6	944 606 401 02	Speed sensor		2	

Model: 944 85

Model life 1985>>1988

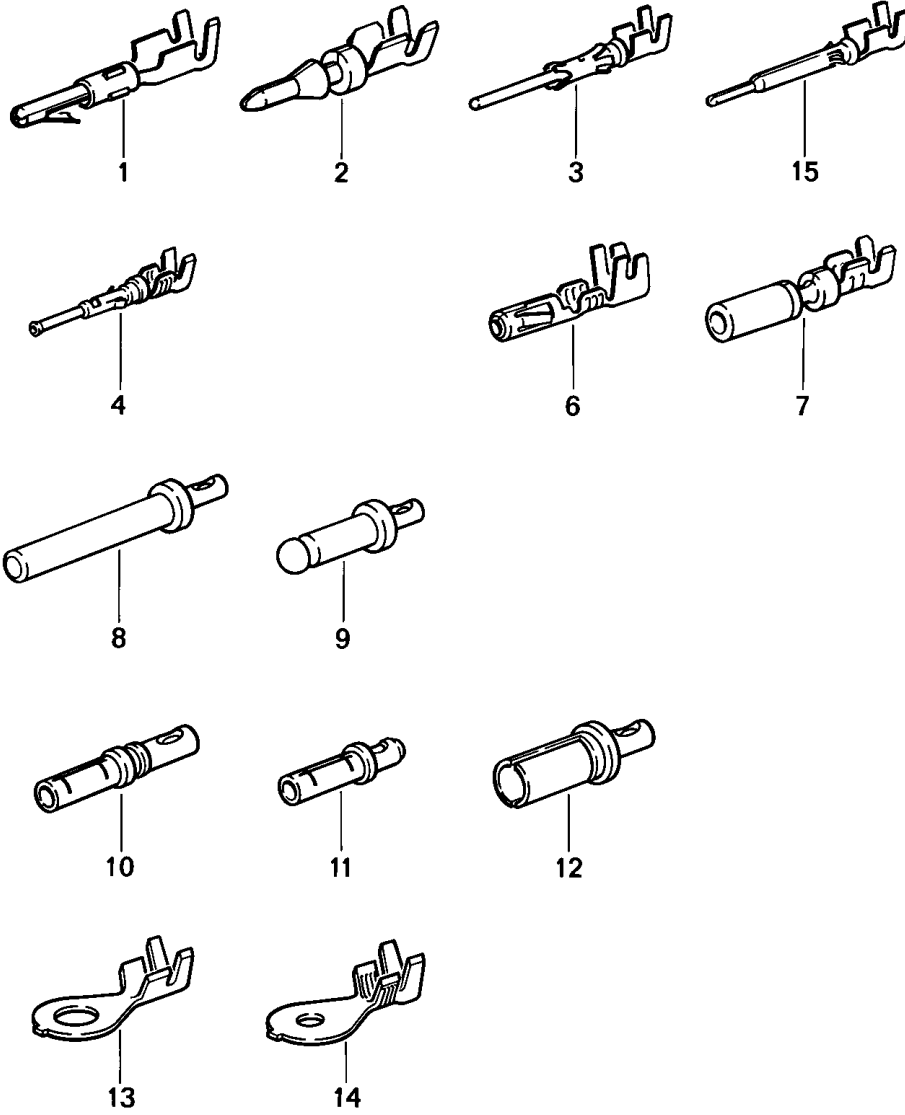


Model: 944 85 Model life 1985>>1988

Pos	Part Number	Description	Remark	Qty	Model
1	431 971 866	Protective grommet Tie-wrap Grommet for Terminal sleeve housing		X	
2	477 971 871 B	Protective grommet for Wiring harness Engine		1	
3	021 119 569	Rubber sleeve for Wiring harness Rear end		1	
(3)	477 971 911	Protective grommet for Wiring harness Battery		1	
(3)	944 612 324 00	Rubber sleeve		1	
4	022 906 102	Protection cap		X	
(4)	944 612 128 00	Protection cap		X	
(4)	944 612 128 02	Protection cap		X	
5	411 941 189	Grommet		X	
6	111 941 189	Drain bush		X	
7	113 927 249	Protection cap		1	
8	059 971 891	Sleeve Tie-wrap		X	
9	477 971 850 A	Tie-wrap 360 X 4,5		X	
(9)	N 020 902 1	Tie-wrap 120 X 6,5		X	
(9)	N 020 902 A	Tie-wrap 120 X 6,5		X	
(9)	999 513 003 40	Tie-wrap 140 X 3,6		X	
(9)	999 513 049 40	Tie-wrap for Bolt		X	
(9)	999 513 010 40	Tie-wrap for Bolt		X	
(9)	443 971 850 A	Tie-wrap for Bolt		X	

Model: 944 85

Model life 1985>>1988

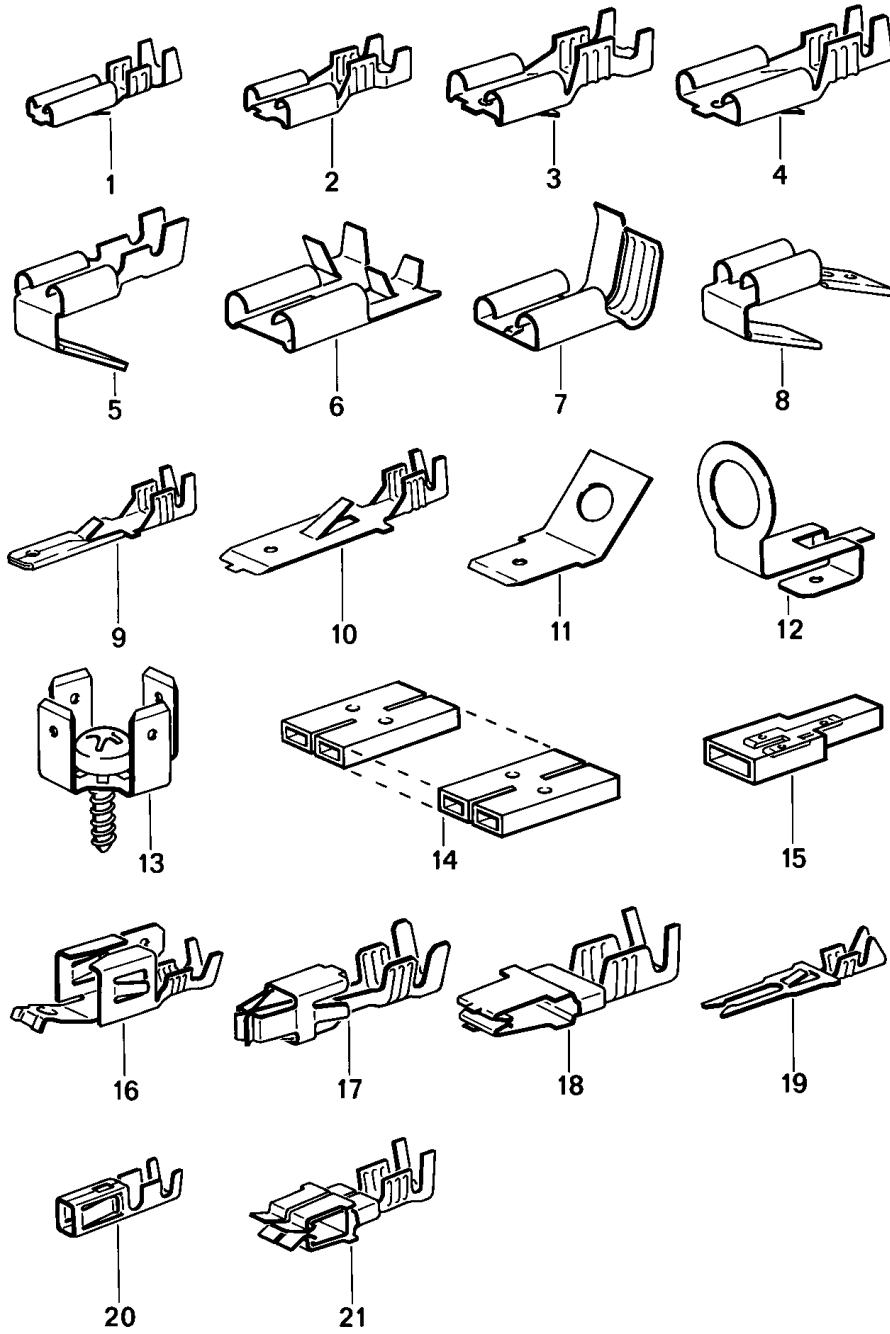


Model: 944 85 Model life 1985>>1988

Pos	Part Number	Description	Remark	Qty	Model
1	N 017 586 2	Round connector Contact pin Cable shoe		X	
2	944 612 428 00	Round connector \$ 0,5 - 1,0 CUZN		X	
3	N 017 564 1	Round connector \$ 0,5 - 1,0 CUSN		X	
4	N 017 562 4	Cylindrical socket \$ 0,5 - 1,0 CUSN		X	
6	N 017 599 4	Cylindrical socket \$ 2,5 - 6,0 CUSN		X	
7	944 612 427 00	Contact bush \$ 0,75 - 1,5 CUSN		X	
8	999 652 369 12	Pin \$ 0,5 - 2,0 CUAG		X	
9	911 612 907 00	Contact pin \$ 0,5 - 2,0 CUAG		X	
9	911 612 907 01	Contact pin \$ 0,5 - 2,0 CUAG		X	
10	944 612 548 00	Contact bush \$ 0,5 - 2,0 CUAG		X	
11	999 652 351 22	Contact bush \$ 0,5 - 2,0 CUBE		X	
12	999 652 371 12	Contact bush \$ 0,5 - 2,0 CUAG		X	
13	N 017 505 4	Cable shoe \$ 5,0 - 1,0		X	
(13)	N 017 515 4	Cable shoe \$ 5,0 - 2,5		X	
(13)	N 017 516 2	Cable shoe \$ 6,0 - 2,5		X	
(13)	999 650 532 00	Cable shoe \$ 8,0 - 2,5 CUSN		X	
(13)	999 652 246 10	Cable shoe \$ 8,0 - 2,5 CUSN		X	
(13)	999 652 225 10	Cable shoe \$ 8,0 - 2,5 CUSN		X	
(13)	999 652 235 10	Cable shoe \$ 10 - 2,5		X	
14	999 652 208 10	Cable shoe \$ 6,0 - 2,5		X	

Model: 944 85

Model life 1985>>1988



Model: 944 85 Model life 1985>>1988

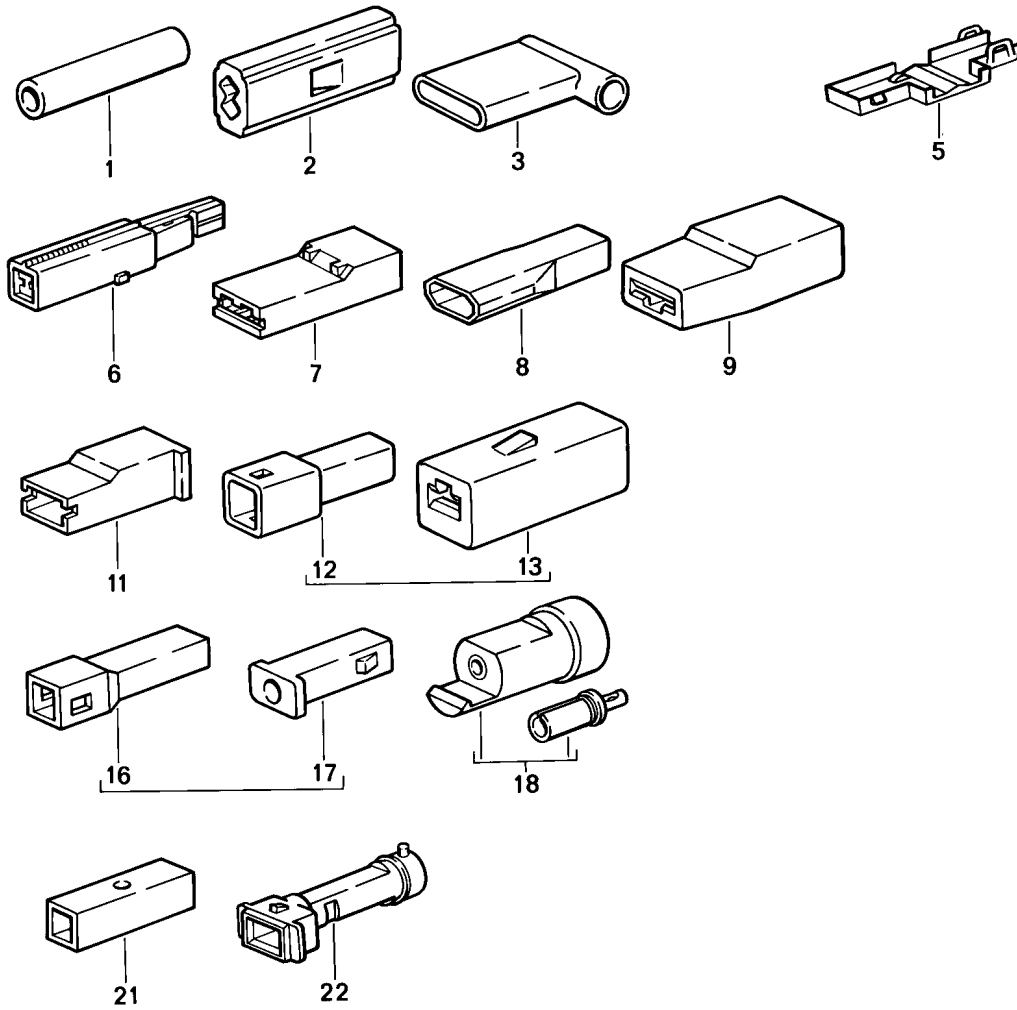
Pos	Part Number	Description	Remark	Qty	Model
1	111 971 958	Flat plug Push-on connector Flat receptacle with Clip 2,8 X 1		X	
(1)	N 017 243 1	Flat receptacle without Clip 2,8 X 1,5 CUZN		X	
2	111 971 959	Flat receptacle with Clip 6,3 X 0,8		X	
(2)	PCG 971 959	Flat receptacle without Clip 6,3 X 1,0 SN		X	
2	N 017 491 8	Flat receptacle with Clip 6,3 X 2,5 CUZN		X	
2	N 017 494 3	Flat receptacle with Clip 6,3 X 6,0 CUSN		X	
(2)	999 652 106 02	Flat receptacle without Clip 6,3 X 1,5 CUSN		X	
3	N 017 453 1	Flat receptacle without Clip 7,7 X 2,5 CUZN		X	
3	N 017 245 1	Flat receptacle without Clip 7,7 X 10 CUSN		X	
5	N 017 242 1	Flat receptacle with Push-on connector 6,3 X 1		X	
6	N 017 498 2	Flat receptacle 6,3 X 1 CUSN		X	
-	N 017 498 A	Flat plug 7,7 X 1 CuZn		X	
7	999 652 116 02	Retaining bracket 6,3 X 1,5		X	
8	999 652 122 10	Multiple plug connector 6,3		X	
9	N 017 457 2	Flat plug with Clip 2,8 X 1		X	
10	111 971 985	Flat plug with Clip 6,3 X 1		X	
10	111 971 986	Flat plug with Clip 6,3 X 2,5		X	
11	999 652 125 10	Flat plug		X	

Model: 944 85 Model life 1985>>1988

Pos	Part Number	Description	Remark	Qty	Model
11	999 652 315 02	6,3/\$ 2,8 Flat plug		X	
(11)		6,3/\$ 5,3 CUSN Flat plug		X	
12	911 603 911 00	6,3/\$ 5,3 Push-on connector		X	
13	171 971 519 A	6,3 Ground connector		X	
13	PCG 971 519 A	6,3 Ground connector		X	
14	999 652 142 40	Push-on connector		X	
(14)		6,3 Push-on connector		X	
		6,3 5-pole			
		6,3 Single pole			
15	999 652 151 40	Push-on connector		X	
16	999 652 275 10	6,3 Contact		X	
17	N 903 353 03	6,3 Contact spring		X	
18	999 652 451 22	\$ 2,5 - 3,5 Coding element		X	
19	999 652 380 12	6,3/\$ 0,5 - 1,0 Contact spring		X	
20	999 652 269 12	\$ 0,4 - 0,75 Contact spring		X	
21	999 652 456 22	Contact spring \$ 0,75 - 1,5		X	

Model: 944 85

Model life 1985>>1988



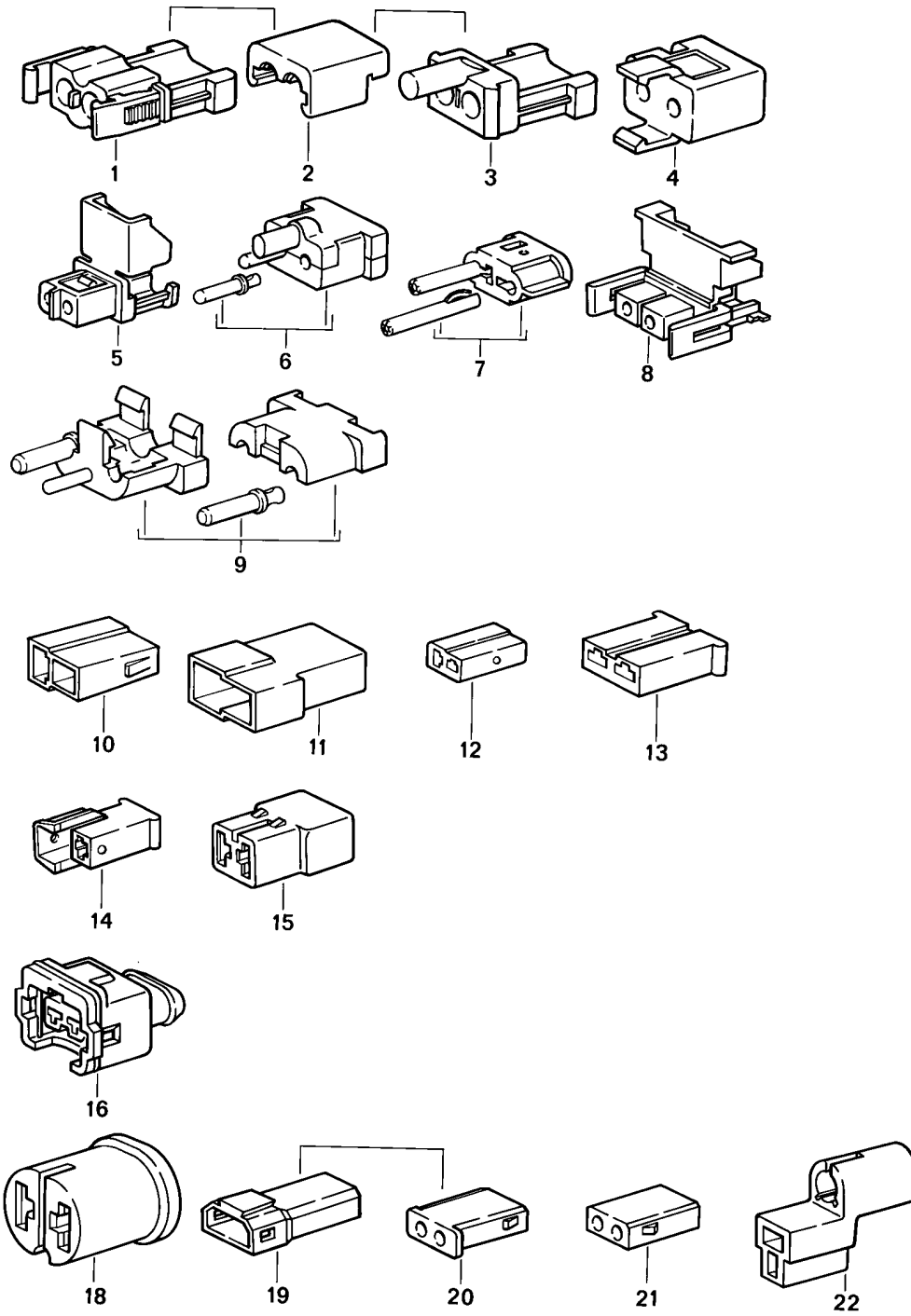
Model: 944 85

Model life 1985>>1988

Pos	Part Number	Description	Remark	Qty	Model
		Insulated cable connection Connector housing Single pole			
1	999 652 149 40	Insulated cable connection \$ 1,5		X	
2	111 971 921	Protection cap 6,3		X	
3	999 652 160 40	Sleeve 6,3		X	
5	211 971 921	Protection cap 6,3		X	
6	059 905 371	Diode connector 6,3		X	
7	111 971 921 B	Connector housing 6,3		X	
8	999 652 119 40	Connector housing 6,3		X	
9	825 971 990	Terminal sleeve housing 6,3		X	
11	431 971 995	Flat connector socket 6,3		X	
12	823 971 976	Flat connector socket 2,8		X	
13	823 971 990	Terminal sleeve housing 2,8		X	
16	171 971 998	Connector housing 1,6		X	
17	171 971 999	Terminal sleeve housing 1,6		X	
18	999 653 002 90	Connector housing with		X	
-	999 652 371 12	Contact bush		X	
21	111 971 977	Flat connector socket 6,3		X	
22	813 972 643 A	Flat connector socket		X	

Model: 944 85

Model life 1985>>1988

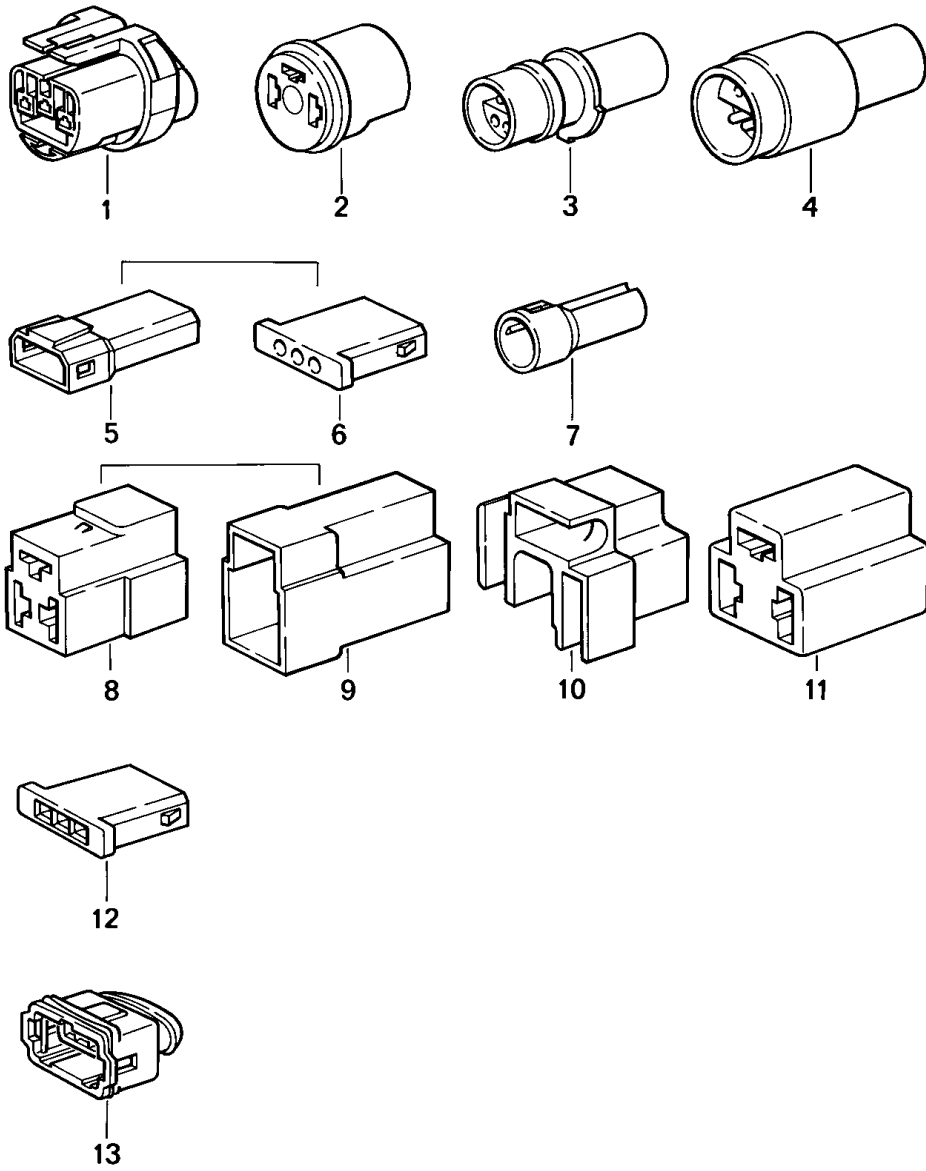


Model: 944 85 Model life 1985>>1988

Pos	Part Number	Description	Remark	Qty	Model
1	999 652 370 40	Connector housing 2-pole		X	
-	999 652 371 12	Connector housing for Contact bush		X	
2	999 652 372 40	Clip		X	
3	999 652 368 40	Connector housing for		X	
-	999 652 369 12	Pin		X	
4	911 612 887 00	Connector housing for		X	
-	999 652 351 22	Contact bush		X	
5	928 612 557 00	Connector housing for		X	
-	944 612 548 00	Contact bush		X	
6	999 652 381 00	Connector housing with Contact bush		X	
7	911 645 112 00	Adapter plug with Contact bush		2 X	
8	944 612 547 00	Connector housing for		X	
-	944 612 548 00	Contact bush		X	
9	911 612 118 00	Connector housing with Contact bush		X	
10	999 652 167 40	Terminal sleeve housing 6,3		2 X	
11	999 652 192 47	Connector housing 6,3		X	
12	810 971 989	Connector housing 6,3		X	
13	171 906 231	Connector housing 6,3		X	
14	171 971 934	Connector housing 6,3		X	
15	815 971 989	Connector housing 6,3		X	
16	022 906 231 A	Connector housing Grey for		X	
-	N 903 353 03	Contact spring		X	
16	928 612 825 00	Connector housing Beige		X	
18	810 971 993	Terminal sleeve housing		X	
19	171 971 998 A	Connector housing 1,6		X	
20	171 971 999 A	Connector housing 1,6		X	
21		Terminal sleeve housing 1,6		X	
22	944 612 439 00	Connector housing for Cigarette lighter		X	

Model: 944 85

Model life 1985>>1988

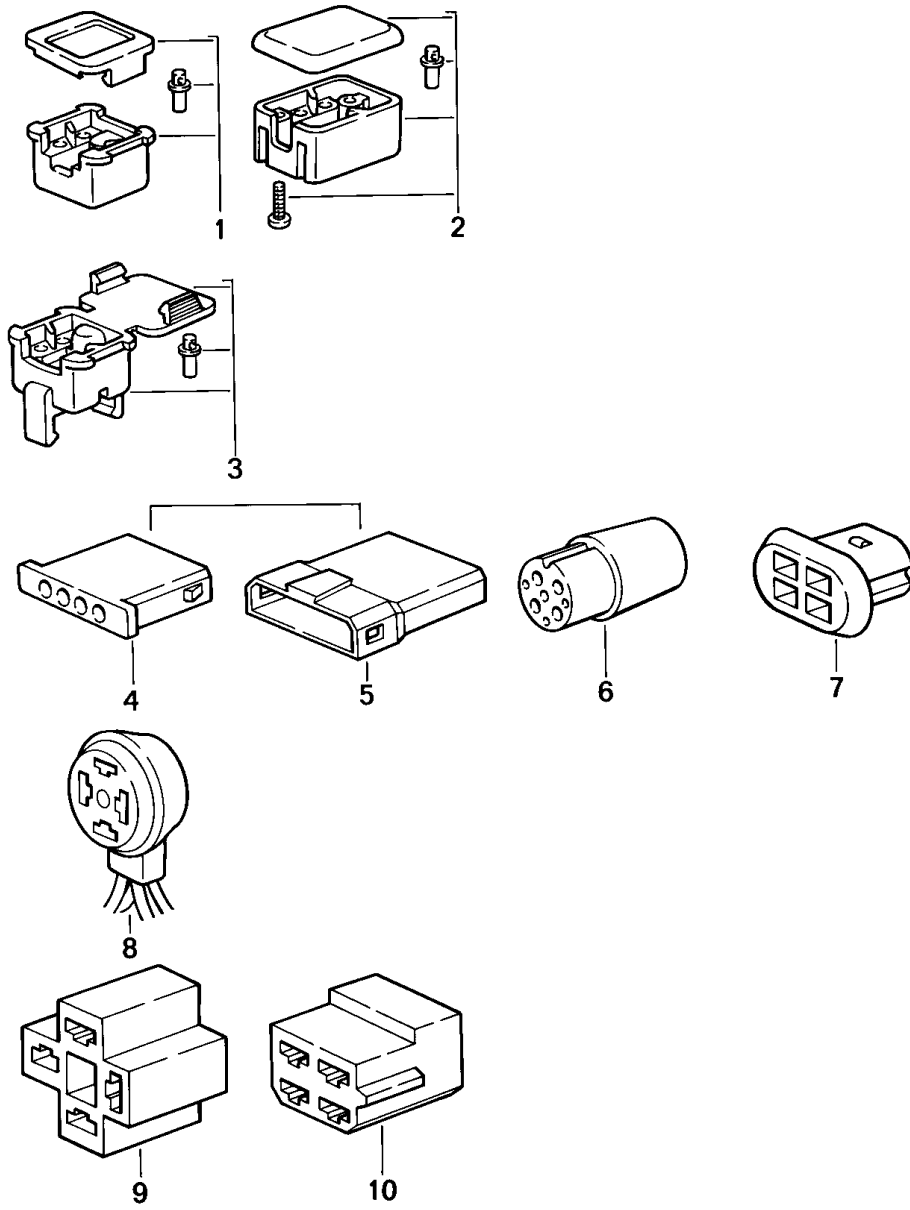


Model: 944 85 Model life 1985>>1988

Pos	Part Number	Description	Remark	Qty	Model
		Connector housing 3-pole			
1	165 941 165	Connector housing 3,5		X	
2	113 945 525	Terminal sleeve housing 6,3		X	
3	944 612 436 00	Connector for		X	
-	944 612 428 00	Round connector		X	
4	944 612 435 00	Connector housing for		X	
-	944 612 427 00	Contact bush		X	
5	171 971 998 B	Connector housing 1,6		X	
6	171 971 999 B	Terminal sleeve housing 1,6		X	
7	113 919 113	Connector housing 1,6		X	
8	821 971 970	Connector housing 6,3		X	
9	821 971 975	Flat connector socket 6,3		X	
10	111 941 341	Terminal sleeve housing 6,3		X	
11	914 612 327 10	Connector housing 6,3		X	
12	311 906 231 B	Connector housing		X	
13	022 906 233 B	Connector housing		X	

Model: 944 85

Model life 1985>>1988



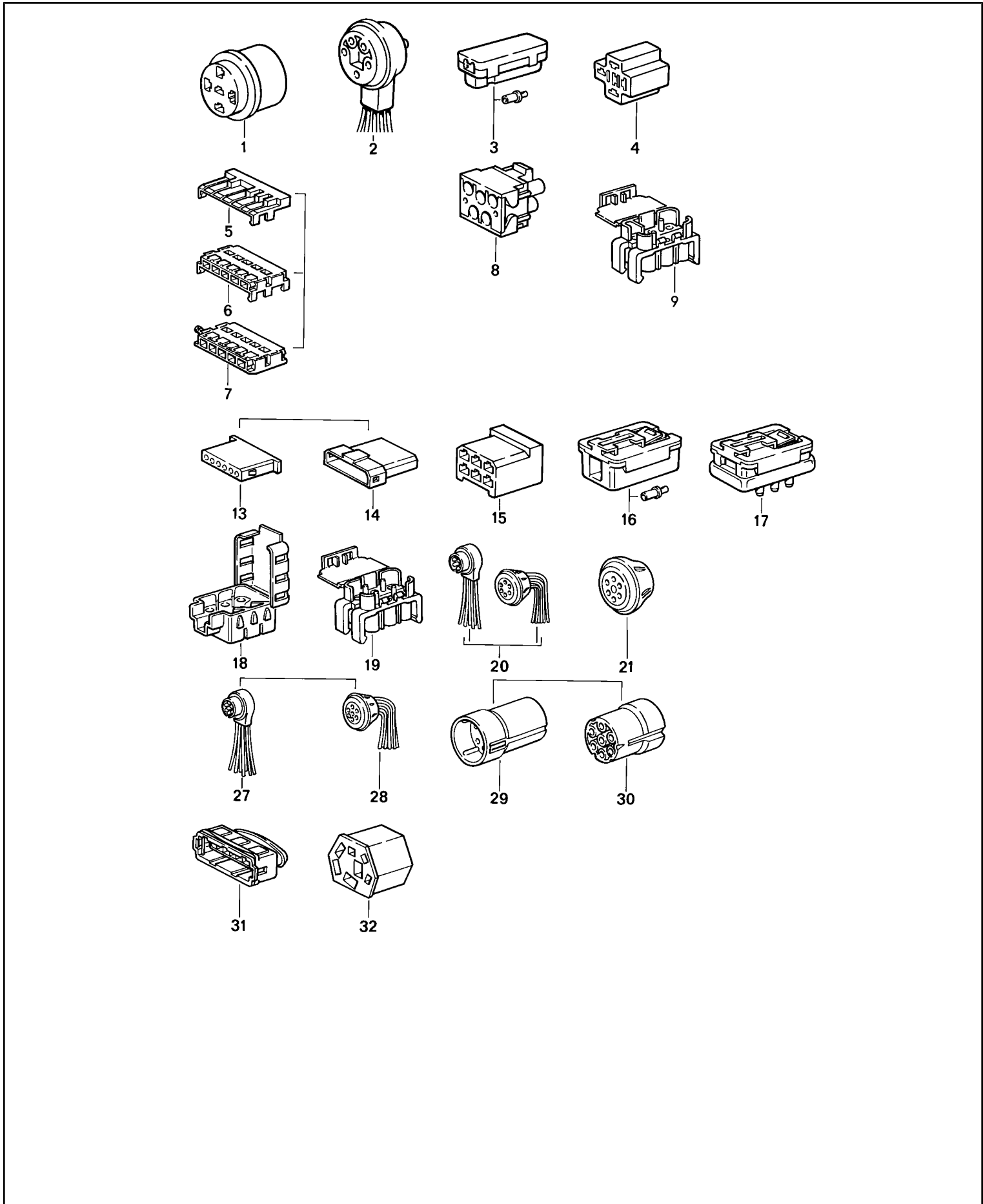
Model: 944 85

Model life 1985>>1988

Pos	Part Number	Description	Remark	Qty	Model
1	901 612 891 01	Connector housing 4-pole		X	
-	999 652 371 12	Connector housing with Contact bush		X	
2	901 612 891 00	Connector housing with		X	
-	999 652 371 12	Contact bush		X	
3	944 612 217 00	Connector housing with		X	
-	999 652 351 22	Contact bush		X	
4	171 971 999 C	Connector housing 1,6		X	
5	171 971 998 C	Connector housing 1,6		X	
6	914 612 325 00	Plug socket 1,6		X	
7	928 612 131 00	Connector housing		X	
8	901 612 334 00	Plug socket		X	
9	928 631 108 00	Connector housing 6,3		X	
10	803 905 897	Connector housing 6,3		X	

Model: 944 85

Model life 1985>>1988

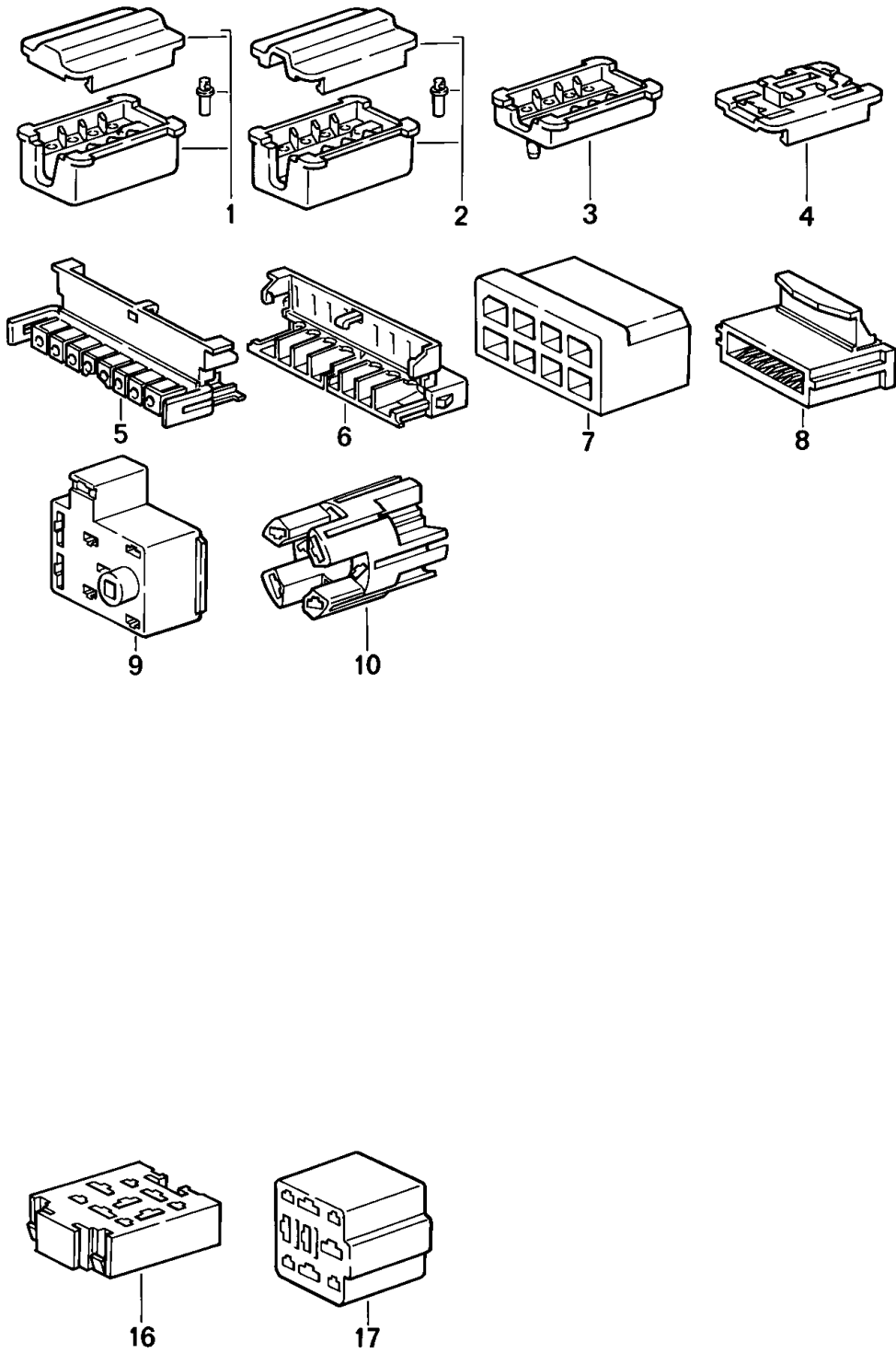


Model: 944 85 Model life 1985>>1988

Pos	Part Number	Description	Remark	Qty	Model
		Connector housing			
		5-pole			
		6-pole			
		7-pole			
		5-pole			
1	113 971 835	Terminal sleeve housing		X	
		2,8			
2	901 612 333 00	Plug socket		X	
		for			
		Standard type relay			
3	928 612 411 00	Clutch		X	
		with			
		Contact bush			
4	803 971 835 A	Terminal sleeve housing		X	
		for			
		Relay			
5	928 612 335 25	Coding element		X	
6	928 612 332 00	Module housing		X	
-	999 652 451 22	Coding element		X	
7	928 612 331 00	Initial housing		X	
8	928 612 542 00	Clutch housing		X	
9	944 612 539 00	Clutch		X	
		6-pole			
13	171 971 999 E	Connector housing		X	
		1,6			
14	171 971 998 E	Connector housing		X	
		1,6			
15	803 971 831	Terminal sleeve housing		X	
		6,3			
16	911 612 868 01	Clutch		X	
		with			
		Contact bush		6	
17	911 612 867 02	Connector		X	
		with			
		Contact pin		6	
18	928 612 469 00	Clutch		X	
		for			
		Contact pin			
19	944 612 537 00	Clutch		X	
20	901 612 330 00	Multiple plug connection		X	
21	901 612 061 00	Push-on connector		X	
		7-pole			
27	911 612 331 00	Connector		X	
28	911 612 332 00	Plug socket		X	
29	803 971 980	Pin connector socket		X	
30	803 971 979	Plug socket		X	
31	071 906 233	Terminal sleeve housing		X	
32	111 953 631	Terminal sleeve housing		X	

Model: 944 85

Model life 1985>>1988

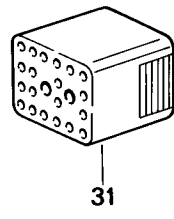
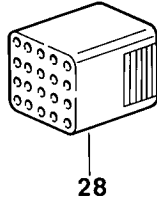
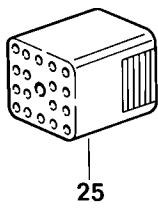
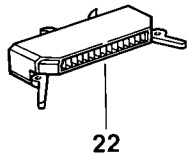
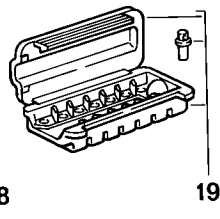
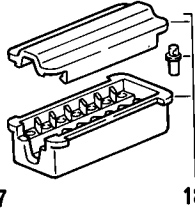
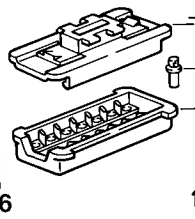
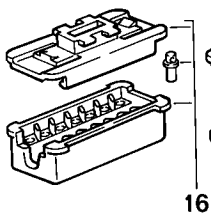
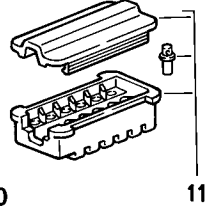
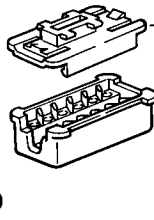
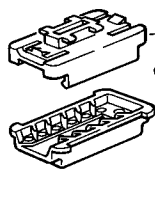
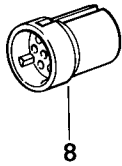
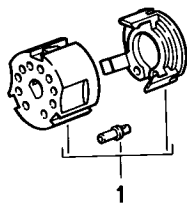


Model: 944 85 Model life 1985>>1988

Pos	Part Number	Description	Remark	Qty	Model
		Connector housing 8-pole			
		9-pole			
		8-pole			
1	944 612 117 00	Connector housing		X	
		with			
-	999 652 371 12	Contact bush		8	
2	928 612 117 01	Connector housing		X	
		with			
-	999 652 371 12	Contact bush		8	
3	999 652 395 40	Connector housing		X	
4	999 652 396 40	Clip		X	
5	944 612 554 00	Connector housing		X	
		for			
-	944 612 548 00	Contact bush			
6	944 612 553 00	Connector housing		X	
7	803 971 971	Connector housing		X	
		6,3			
8	113 971 998 B	Connector housing		X	
9	321 971 999 A	Terminal sleeve housing		X	
10	911 612 120 00	Connector housing		X	
		6,3			
		9-pole			
16	135 937 501 A	Relay carrier		X	
17	849 941 593	Connector housing		X	

Model: 944 85

Model life 1985>>1988

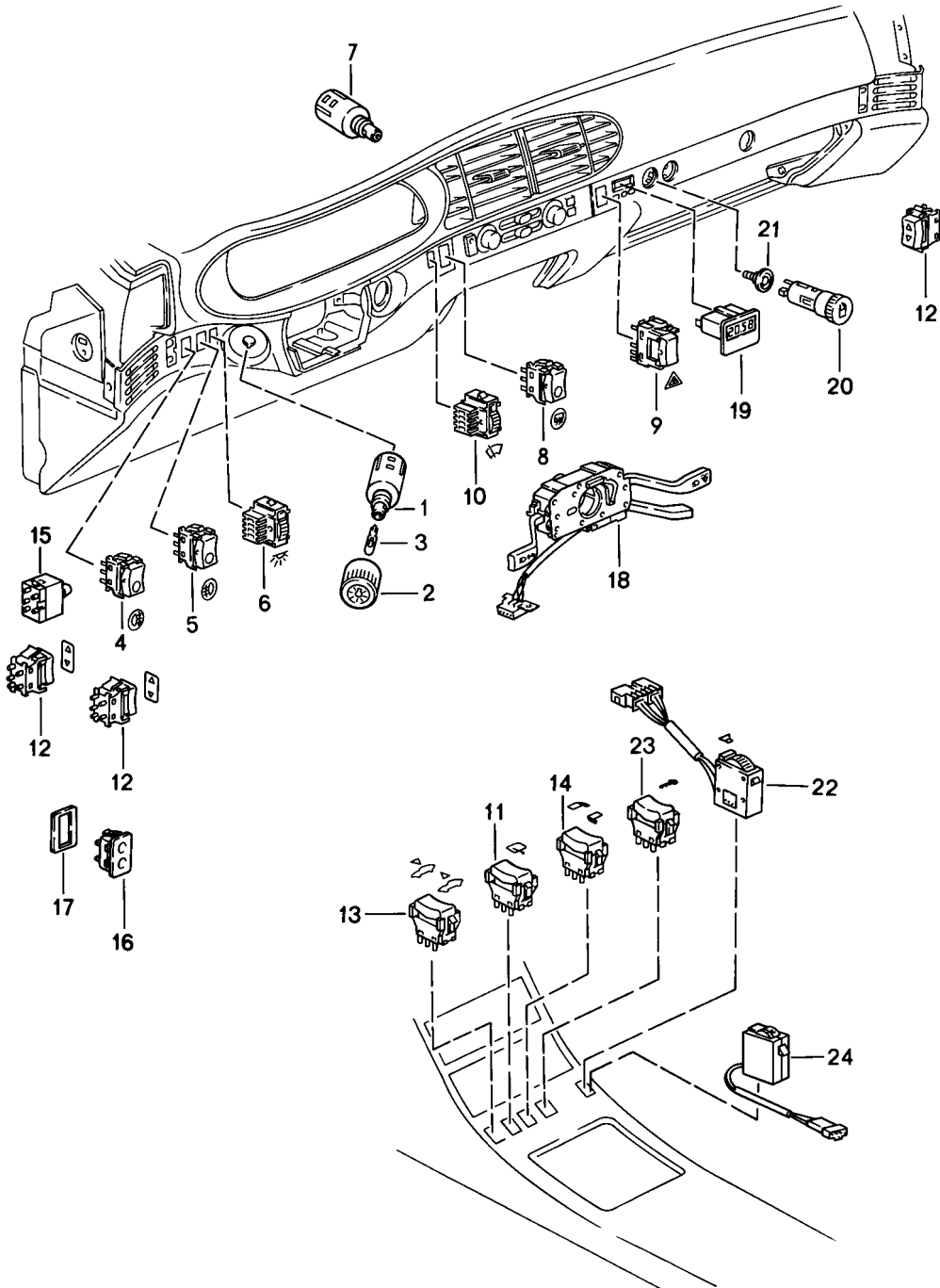


Model: 944 85 Model life 1985>>1988

Pos	Part Number	Description	Remark	Qty	Model
		Connector housing 10-pole Until 22-pole 10-pole			
1	911 612 889 00	Connector housing with		X	
(2)	944 613 531 01	Contact bush Connector housing for		10 X	
-	944 612 548 00	Contact bush 12-pole		X	
8	861 972 524	Connector housing		X	
9	911 612 122 02	Plug socket with		X	
9	911 612 122 04	Contact bush Plug socket with		12 X	
10	928 612 423 00	Contact bush Connector housing		12 X	
11	911 612 884 00	Connector housing		X	
11	911 612 121 01	Connector housing		X	
-	944 612 115 00	14-pole Cover		1	
16	911 612 115 02	14-pole Connector housing		X	
17	911 612 113 05	Connector housing		X	
18	911 612 115 03	Connector housing		X	
19	944 612 215 00	Connector housing without		X	
		Contact bush 99965235122 17-pole		14	
22	944 612 311 00	Connector housing for		X	
-	999 652 380 12	Contact spring 19-pole		X	
25	171 971 971 C	Connector housing Beige		X	
25	171 971 971 E	Connector housing White		X	
28	171 971 971	20-pole Connector housing Yellow		X	
28	171 971 971 D	Connector housing Red		X	
31	171 971 971 A	22-pole Connector housing Black		X	
31	171 971 971 B	Connector housing Blue		X	

Model: 944 85

Model life 1985>>1988



Model: 944 85 Model life 1985>>1988

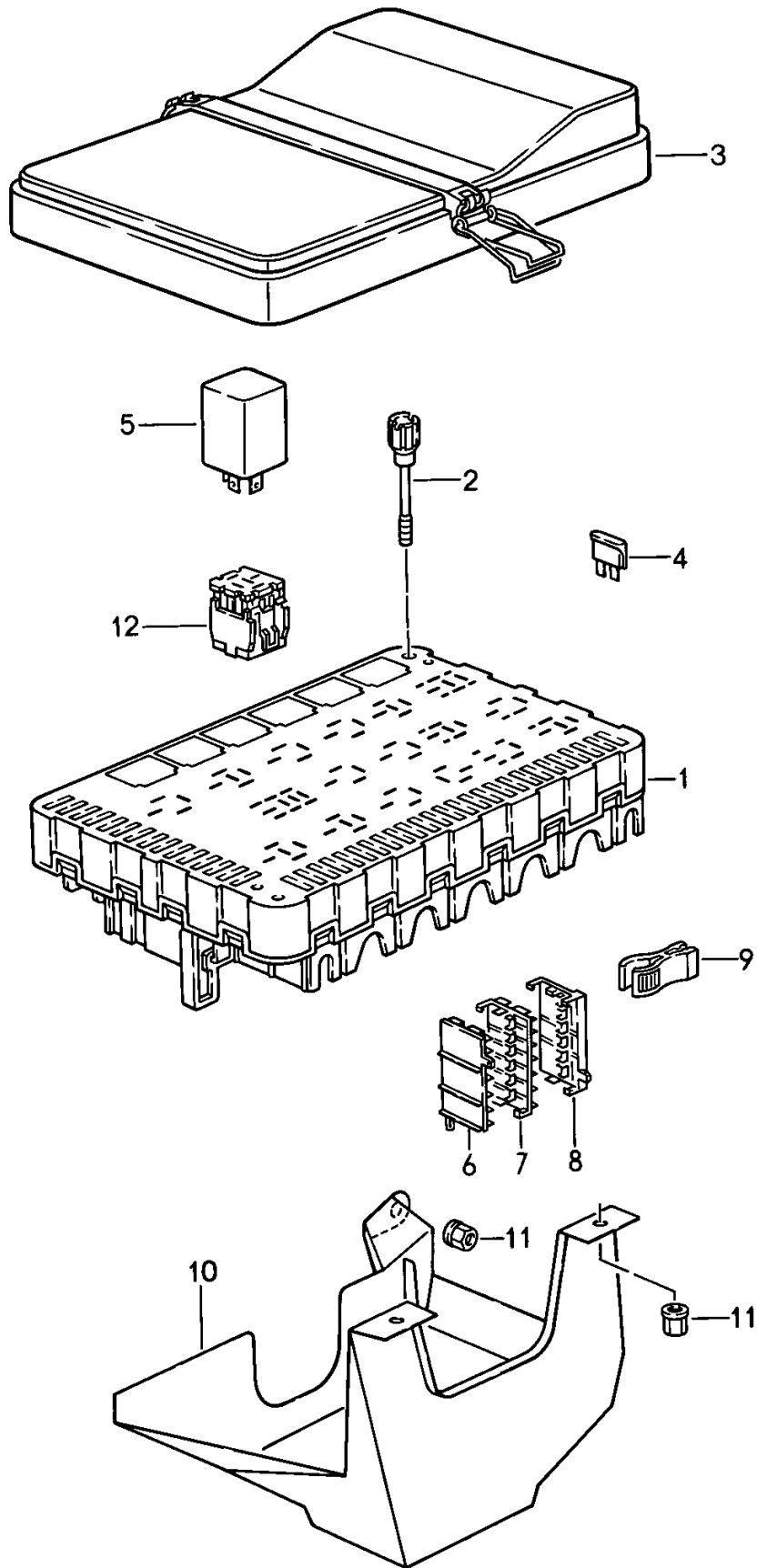
Pos	Part Number	Description	Remark	Qty	Model
		Switch			
		Steering column switch			
		Clock			
1	993 613 531 00	Light switch		1	
2	944 613 535 00	Knob		1	
3	999 631 130 90	Bulb		1	
		0,30 W			
4	944 613 121 01	Switch		1	
		for			
		Fog headlamp			
6	944 613 131 00	Potentiometer		1	
7	944 641 321 00	Tip switch		1	
		Trip meter			
8	944 613 117 00	Rocker switch		1	
		for			
		Rear window heating			
9	944 613 235 00	Hazard warning light sw.		1	
	944 613 235 00 01C	Satin black			
		Cap with symbol			
		Black mat			
10	944 613 115 00	Potentiometer		1	
		Windscreen washer system			
11	951 613 113 00	Rocker switch		1	
	951 613 113 00 01C	Satin black			
		for			
		Rear window wiper			
12	951 613 133 00	Tip switch		3	
		for			
		Power window			
13	944 613 123 00	Tip switch		1	
		for			
		Lifting roof			
14	944 613 220 00	Rocker switch		1	
		Mirror changeover switch			
15	944 613 125 00	Switch		1	
		for			
		Door mirror			
16	944 613 129 01	Tip switch		1	
	944 613 129 01 01C	Satin black			
		for			
		Rear lid release			
17	477 867 185 A	Trim for switch		1	
	477 867 185 A 1DB	Black			
		for			
		Switch			
		Steering column switch			
18	944 613 512 00	Steering column switch		1	
		for cars without			
		Headlight washer system			
(18)	944 613 507 00	Steering column switch		1	/130 M454
		for cars without			
		Headlight washer system			
(18)	944 613 511 00	Steering column switch		1	
		for cars with			
		Headlight washer system			
(18)	944 613 508 00	Steering column switch		1	/130 M454
		for cars with			
		Headlight washer system			
(18)	944 613 512 10	Steering column switch		1	M562
		for cars without			
		Headlight washer system			

Model: 944 85 Model life 1985>>1988

Pos	Part Number	Description	Remark	Qty	Model
(18)	944 613 507 10	Steering column switch for cars without Headlight washer system		1	M454/562
(18)	944 613 511 10	Steering column switch for cars with Headlight washer system		1	M562
(18)	944 613 508 10	Steering column switch for cars with Headlight washer system		1	M454/562
19	944 641 213 00	Clock		1	
-	944 641 213 00 01C	Satin black			
-	944 641 900 00	Glass-base bulb		1	
20	944 652 307 00	Cigarette lighter		1	
21	644 652 112 00	Glower		1	
-	999 632 014 00	Bulb socket for Cigarette lighter		1	
-	N 012 469 1	Circlip for Cigarette lighter		1	
22	951 645 053 00	Fader	85	1	
(22)	944 645 054 00	Fader	86-	1	
23	951 613 147 00	Switch	86-	1	
	951 613 147 00 01C	Satin black Door latch			

Model: 944 85

Model life 1985>>1988



Model: 944 85 Model life 1985>>1988

Pos	Part Number	Description	Remark	Qty	Model
1	944 610 110 00	Central electrical system Mounting plate		1	
2	944 610 611 00	Screw		2	
3	944 610 017 00	Lid	-86	1	
3	944 610 017 02	Lid		1	
-	944 610 231 02	Assignment sticker English		1	
-	944 610 241 02	Assignment sticker French		1	
4	999 607 005 00	Lock 7,5 A		X	
4	999 607 083 00	Lock 7,5 A		X	
4	999 607 007 00	Lock 15 A		X	
4	999 607 085 00	Lock 15 A		X	
4	999 607 009 00	Lock 25 A		X	
4	999 607 087 00	Lock 25 A		X	
4	999 607 010 00	Lock 30 A		X	
4	999 607 088 00	Lock 30 A		X	
5		Relay			
(5)	944 615 119 00	Relay for Blower		1	
(5)	141 951 253 B	Relay socket/code: Relay for KL 15	G1	1	
(5)	928 615 203 00	Relay socket/code: Relay for Rear window heating	G2	1	
(5)	111 953 227 D	Relay socket/code: Flasher relay	G3	1	
(5)	191 953 227 A	Relay socket/code: Flasher relay	G4	1	
(5)	1H0 953 227	Relay socket/code: Flasher relay	G4	1	
(5)	993 615 227 00	Relay socket/code: Relay for - dme -	G4	1	
(5)	993 615 227 01	Relay socket/code: Relay for - dme -	G5	1	
(5)	944 610 183 06	Relay socket/code: Adapter for cars with Fog headlamp	G5	1	
(5)	944 615 116 00	Relay socket/code: Relay for Power window	G6	1	
(5)	993 615 101 00	Relay socket/code: Switch unit Relay socket/code:	G7 G9	1	

Model: 944 85 Model life 1985>>1988

Pos	Part Number	Description	Remark	Qty	Model
(5)	993 615 101 01	Switch unit Relay socket/code:	G9	1	
(5)	944 615 104 03	Relay for 2. Motor fan Relay socket/code:	G10	1	
(5)	944 615 104 04	Relay for 2. Motor fan Relay socket/code:	G10	1	
(5)	141 951 253 B	Relay for Fog headlamp Rear fog light Relay socket/code:	G11	1	
(5)	944 615 119 00	Relay for Fog headlamp Relay socket/code:	G12	1	
(5)	141 951 253 B	Relay for Fanfare Relay socket/code:	G13	1	
(5)	191 937 503	Relay for KL X Relay socket/code:	G14	1	
(5)	928 618 111 00	Relay for Headlight washer system Relay socket/code:	G15	1	(SA)
(5)	928 618 102 03	Warning time relay Warning time relay Relay socket/code:	(USA) (CDN) G16	1	
(5)	944 615 115 00	Relay Air-conditioning switch Relay socket/code:	G17	1	
(5)	944 615 115 01	Relay Air-conditioning switch Relay socket/code:	G17	1	
(5)	944 615 117 02	Relay Lifting roof Relay socket/code:	G18	1	TURBO
(5)	951 618 149 00	Relay for Water pump Turbocharger Relay socket/code:	G19	1	TURBO
(5)	951 618 149 02	Relay for Water pump Turbocharger Relay socket/code:	G19	1	TURBO
(5)	928 615 124 01	Relay Anti-lock brake system Relay socket/code:	G20	1	M593
(5)	928 615 124 03	Relay Anti-lock brake system Relay socket/code:	G20	1	M593
(5)	944 615 113 01	Relay for	G20 88	1	

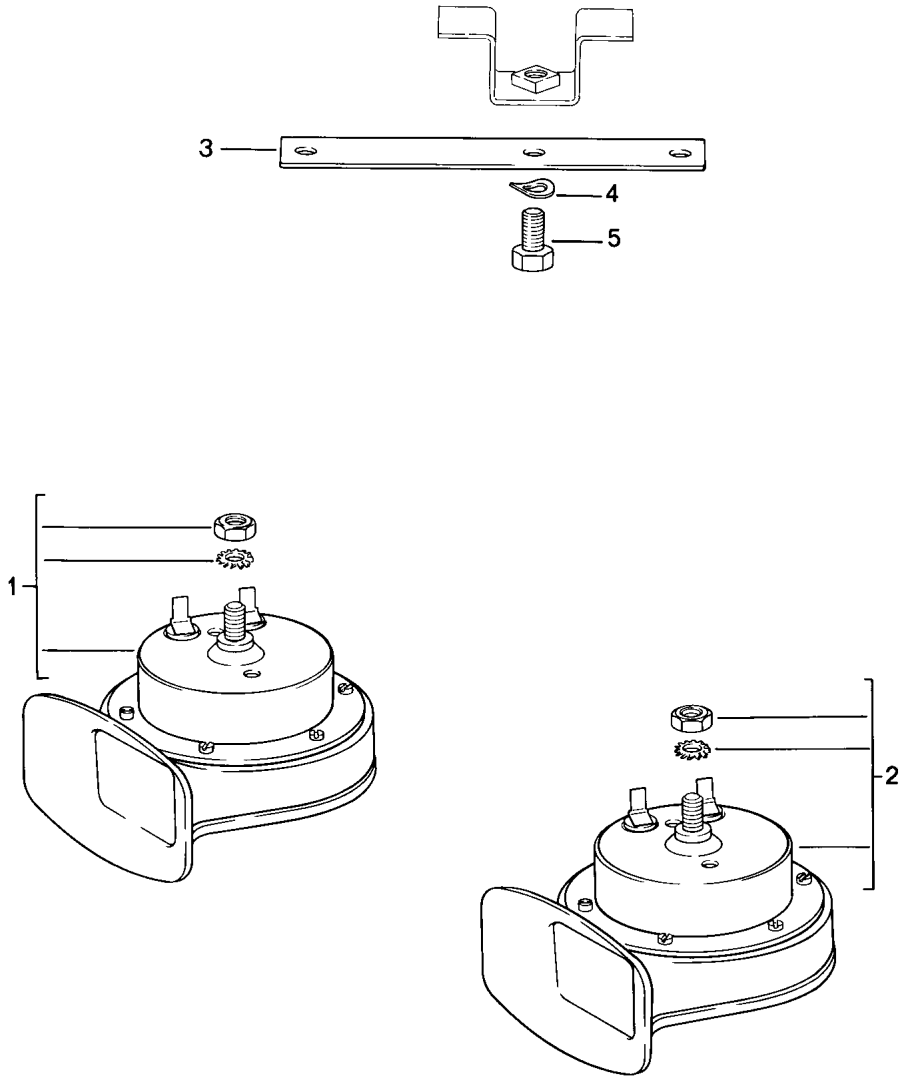
Model: 944 85

Model life 1985>>1988

Pos	Part Number	Description	Remark	Qty	Model
(5)	944 615 113 02	Alarm system Relay socket/code: Relay for Alarm system	G21 88-	1	
6	928 612 331 00	Relay socket/code: Initial housing Black	G21	X	
7	928 612 332 00	Module housing		X	
8	928 612 335 25	Coding element		X	
9	443 941 802	Tool		1	
10	944 610 219 00	Cover	85-87	1	
(10)	944 610 219 02	Cover	88	1	
11	999 591 839 40	Plastic nut		3	
12	928 610 511 00	Relay carrier		6	

Model: 944 85

Model life 1985>>1988

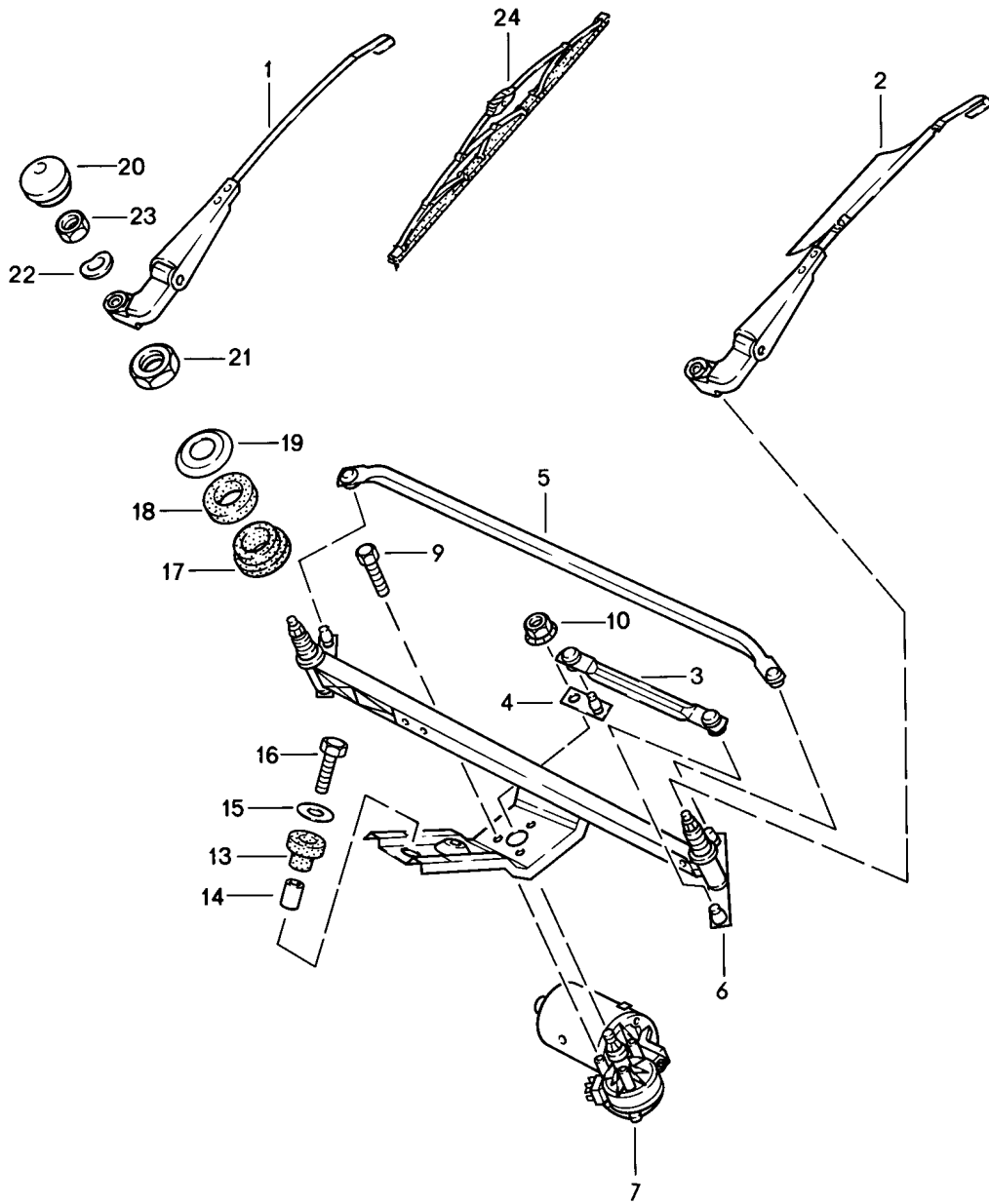


Model: 944 85 Model life 1985>>1988

Pos	Part Number	Description	Remark	Qty	Model
1	928 635 222 00	Horn Fanfare Low-pitched		1	
1		Fanfare Low-pitched		1	
2	928 635 221 00	Fanfare High-pitched		1	
2	928 635 221 01	Fanfare High-pitched		1	
2	928 635 221 00	Fanfare High-pitched		1	
2	928 635 221 01	Fanfare High-pitched		1	
3	944 635 411 00	Support		2	
4	N 012 228 3	Spring washer B 8		1	
5	900 075 078 02	Hexagon-head bolt M 8 X 15		1	
5	900 075 078 03	Hexagon-head bolt M 8 X 15		1	

Model: 944 85

Model life 1985>>1988

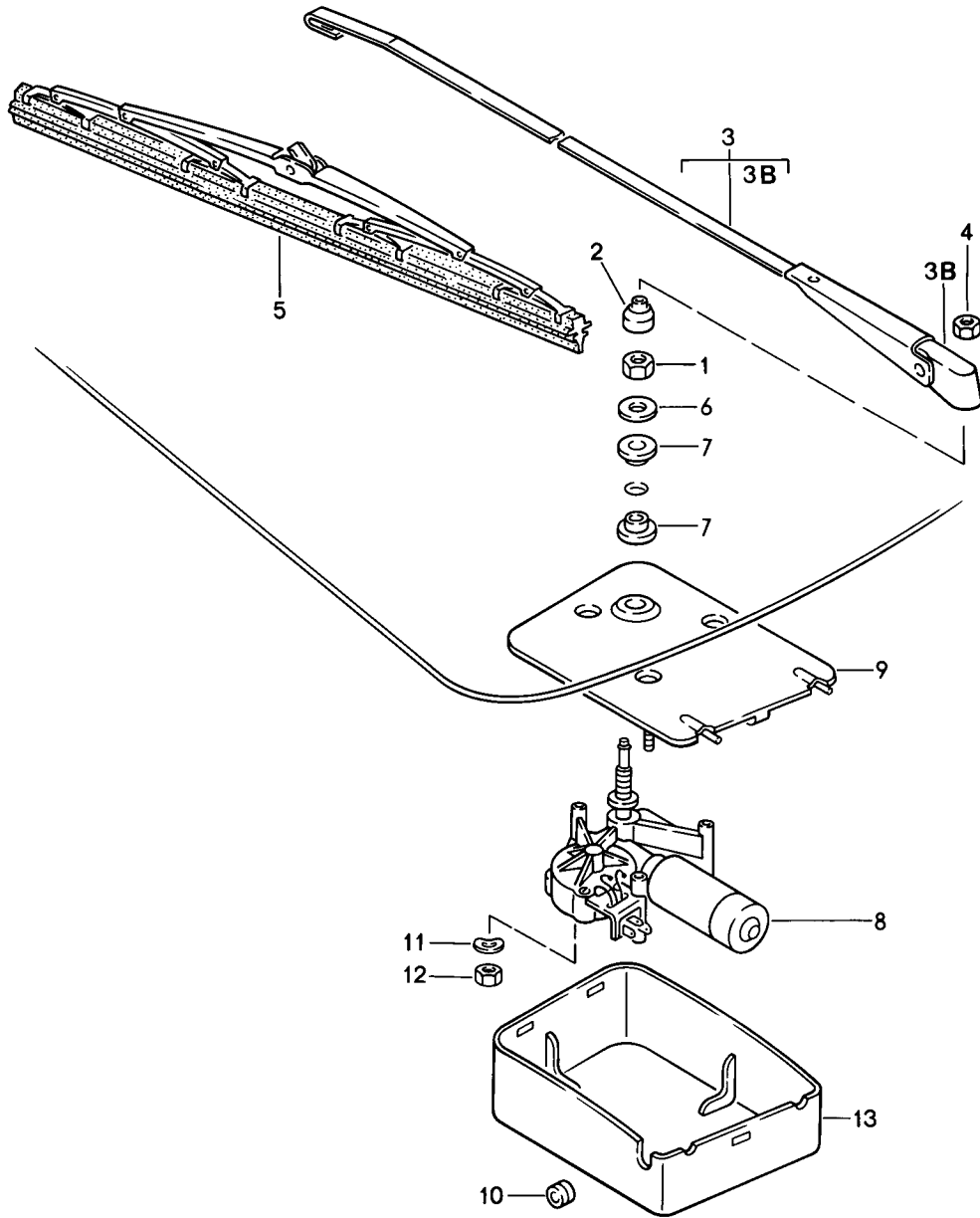


Model: 944 85 Model life 1985>>1988

Pos	Part Number	Description	Remark	Qty	Model
		Windscreen wiper system			
		See TPI	/LL		
		GR.9 , NR.8 , 07/94			
1	944 628 028 01	Wiper arm	/LL -87	1	
		Right			
1	944 628 028 02	Wiper arm	/LL 88	1	
		Right			
(2)	944 628 028 01	Wiper arm	-87	1	
		Left			
(2)	944 628 028 02	Wiper arm	/LL 88	1	
		Left			
3	944 628 033 00	Connecting rod	/LL	1	
		Short			
4	944 628 330 00	Crank		1	
5	944 628 034 00	Connecting rod	/LL	1	
		Long			
6	944 628 961 00	Frame	/LL	1	
7	944 628 303 01	Wiper motor		1	
9	900 278 003 02	Screw		3	
		M 6 X 20			
12	N 012 229 3	Spring washer		1	
		M 6			
13	944 628 126 00	Grommet		1	
14	944 628 127 00	Bush		1	
15	N 902 707 01	Washer		1	
		B 6,4			
16	900 075 341 02	Combination screw		1	
		M 6 X 20			
16	900 075 341 01	Combination screw		1	
		M 6 X 20			
17	944 628 129 00	Rubber bush		2	
-	PCG 628 129 00	Bush		4	
		Satz bestehend aus			
		2 x 94462812800			
		2 x 94462812900			
18	944 628 128 01	Rubber bush		2	
19	944 628 125 01	Flange washer		2	
19	944 628 125 02	Flange washer		2	
20	944 628 305 00	Cap		2	
21	999 034 013 02	Hexagon nut		2	
		M 18 X 1,5			
22	803 955 437	Spring washer		2	
23	N 011 151 3	Hexagon nut		2	
		M 8			
24	478 955 425	Wiper blade	-87	2	
24	928 628 901 01	Wiper blade	88	2	
24	928 628 901 03	Wiper blade	88	2	
-	944 628 101 00	Cover		1	
		Wiper motor			
-	944 628 101 02	Cover		1	
		Wiper motor			
	944 628 101 02 01C	Satin black			

Model: 944 85

Model life 1985>>1988

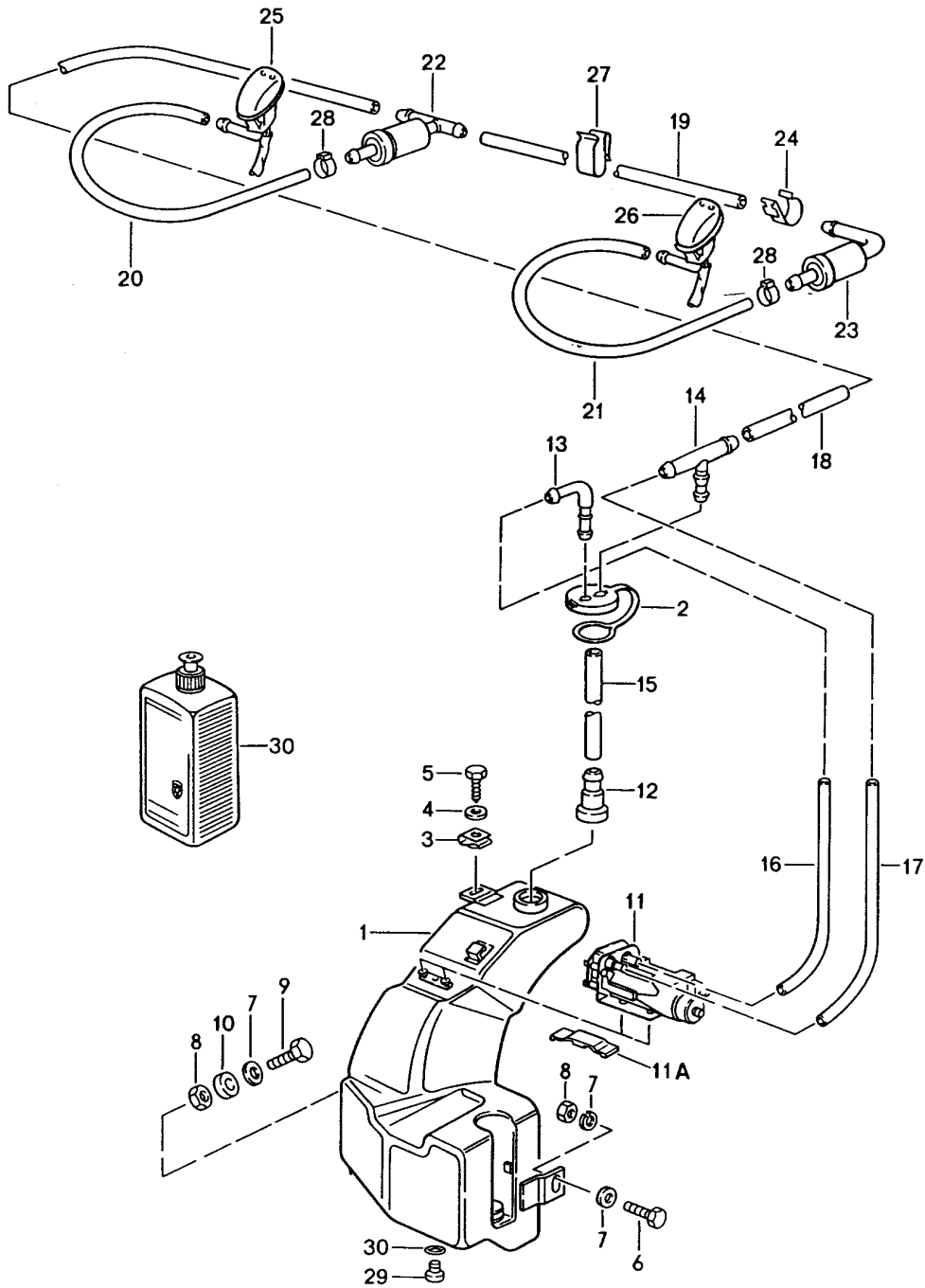


Model: 944 85 Model life 1985>>1988

Pos	Part Number	Description	Remark	Qty	Model
1	311 955 243 A	Rear window wiper Hexagon nut M 12 X 1		1	M425
2	211 955 275 A	Housing		1	
(3)	477 955 409 A	Wiper arm		1	
3B	477 955 415	Cap		1	
4	999 084 045 02	Lock nut		1	
(5)	928 628 218 01	Wiper blade		1	
(5)	928 628 218 02	Wiper blade		1	
(6)	477 955 435 A	Spacer		1	
7	477 955 439	Grommet		2	
8	477 955 713 A	Wiper motor Together with Rear lid MOD.88- Use also:		1	
-	944 628 071 02	Mounting plate		1	
-	944 628 071 02 03C	Black			
-	445 955 753	Bush		1	
-	533 955 758	Gasket		1	
-	944 628 103 00	Bush		1	
-	N 014 133 8	Oval-head screw M 5 X 12		2	
-	N 014 133 I	Oval-head screw M 5 X 12		2	
-	N 011 524 7	Washer A 6,4		4	
-	N 011 524 27	Washer A 6,4		4	
-	999 209 017 02	Spacer sleeve		2	
-	999 702 180 40	Rubber sleeve		2	
9	944 628 071 00	Mounting plate	-86	1	
9	944 628 071 01	Mounting plate	87-	1	
10	111 941 189	Drain bush		1	
11	N 012 226 5	Spring washer B 6		3	
12	900 076 010 02	Nut M 6		3	
12	900 076 010 0B	Nut M 6		3	
13	477 955 737	Cap	-86	1	
13	477 955 737 A	Cap	87-	1	
-	477 955 737 A 01C	Satin black			
-	311 949 149 B	Grommet for Wiring harness		1	
-	171 971 999 A	Terminal sleeve housing		1	
-	937 503 255 01	Spacer		2	
-	N 011 524 7	Washer		2	
-	N 011 524 27	Washer		2	
-	N 014 140 5	Oval-head screw M 6 X 15		2	
-	111 953 547	Grommet		2	

Model: 944 85

Model life 1985>>1988

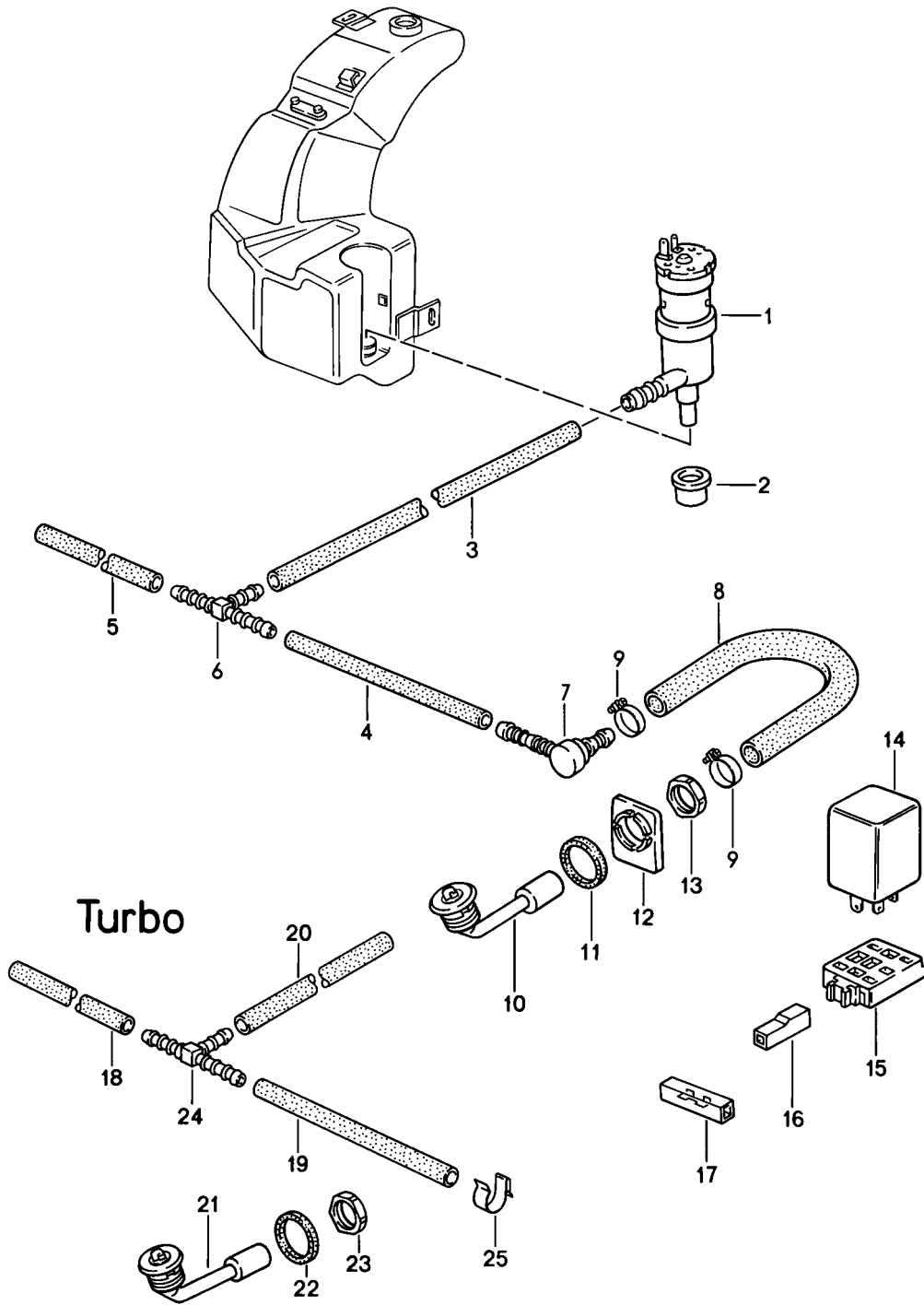


Model: 944 85 Model life 1985>>1988

Pos	Part Number	Description	Remark	Qty	Model
		Windscreen washer system			
1	477 955 451 D	Water reservoir	-87	1	
(1)	944 628 060 00	Water reservoir	88	1	
(1)	944 628 061 00	Water reservoir	88	1	M288
2	477 955 455	Lid	-87	1	
(2)	911 628 077 01	Lid	88	1	
3	477 955 461	Speed nut 6,3 X 22		1	
4	900 151 029 02	Washer 6,4		1	
5	N 013 891 1	Hexagon-head tapping screw B 6,3 X 19		1	
6	N 010 218 6	Hexagon-head bolt M 6 X 25		1	
7	N 011 612 3	Washer R 7		4	
7	N 011 612 C	Washer R 7		4	
8	900 076 010 02	Nut M 6		2	
8	900 076 010 0B	Nut M 6		2	
9	N 010 220 3	Hexagon-head bolt M 6 X 30		1	
10	052 109 135	Spacer sleeve		1	
11	823 955 651	Pump	-87	1	
11	928 628 172 01	Pump	88	1	
11A	477 955 743	Clip		1	
12	911 628 749 00	Valve		1	
13	477 955 456	Connection piece		1	
14	477 955 459	T-socket		1	
-	999 181 722 40	Hose 4 X 1		*	
15		500 MM		2	
16		260 MM		1	
17		280 MM		1	
18		1680 MM		1	
19		390 MM		1	
20		250 MM	/R	1	
21		330 MM	/L	1	
22	914 628 433 00	Valve		1	
23	477 955 481	Valve		1	
24	477 955 981	Cable terminal		4	
25	944 628 077 00	Nozzle	/R	1	
	944 628 077 00 01C	Black Heatable			
26	928 628 077 00	Nozzle	/L	1	
	928 628 077 00 70B	Black Heatable			
27	944 628 181 00	Retaining clip		6	
28	N 100 020 01	Clip		8	
28	999 512 527 00	Clamp		8	
29	999 063 015 40	Stopper		1	
30	999 707 171 40	O-ring		1	

Model: 944 85

Model life 1985>>1988

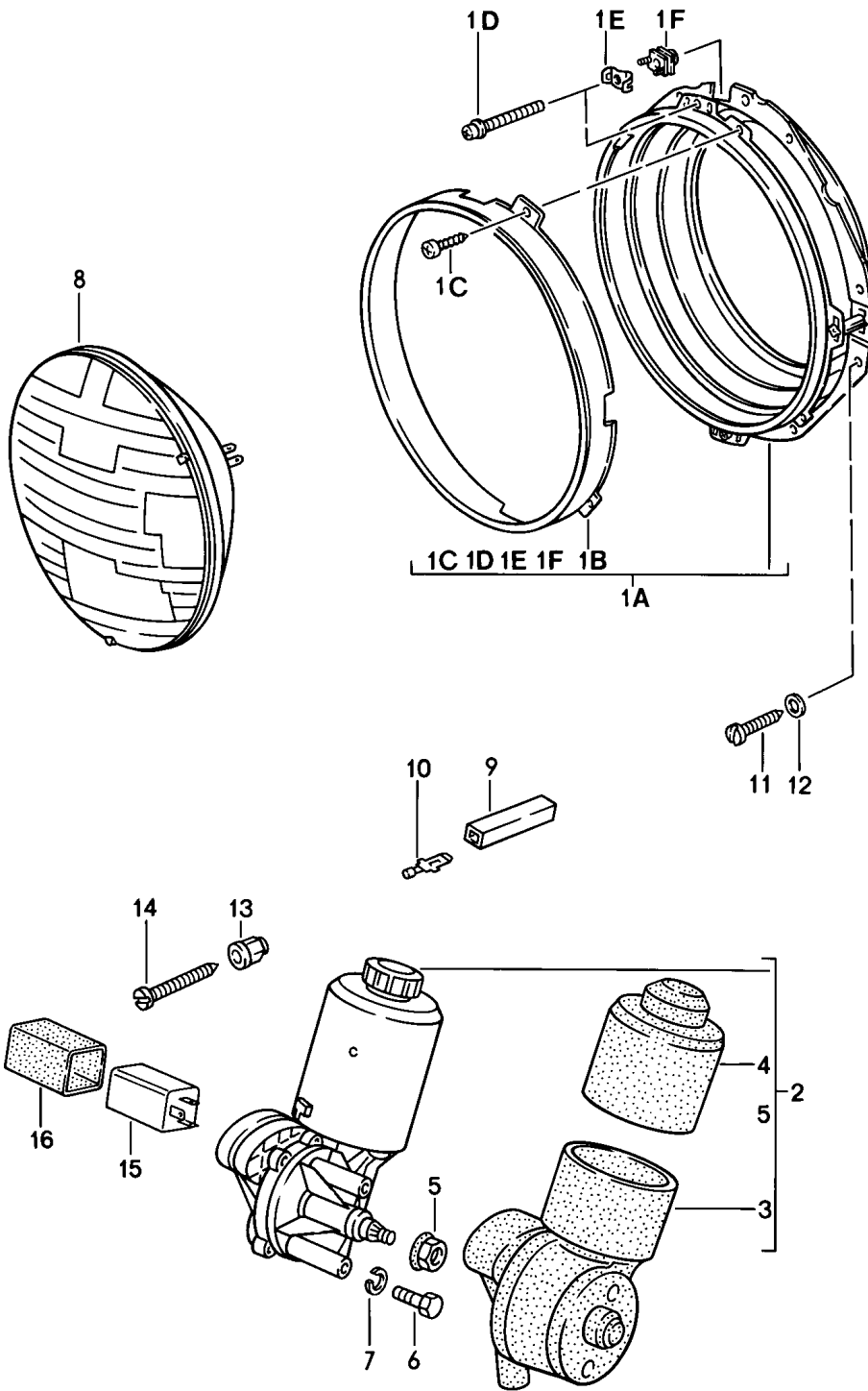


Model: 944 85 Model life 1985>>1988

Pos	Part Number	Description	Remark	Qty	Model
		Headlight washer system			M288
1	191 955 681	Pump		1	
2	431 955 465 A	Gasket		1	
-	N 020 126 1	Pipe		*	
		12,5 X 1,25			
3		410 MM		1	
4		800 MM		1	
5		60 MM		1	
6	113 955 975 B	T-piece		1	
7	477 955 183	Pressure control valve		2	
8	928 528 161 02	Hose		2	
9	N 023 570 2	Hose clamp		4	
10	928 528 071 02	Jet carrier		2	
	928 528 071 02 03C	Black			
(10)	477 955 177	Jet carrier		2	M036/058
11	944 628 803 00	Rubber washer		2	
12	944 628 801 00	Torsion protection		2	
13	N 019 121 1	Nut		2	
		MPG 11			
14	928 618 111 00	Relay		1	
15	135 937 501 A	Relay carrier		1	
16	825 971 990	Terminal sleeve housing		1	
17	111 937 077 E	Cable connection		1	
-	999 181 806 40	Hose		*	TURBO
		10 X 3			
18		480 MM		1	
19		550 MM		1	
20		700 MM			
21	911 628 071 01	Jet carrier		2	TURBO
	911 628 071 01 01C	Satin black			
22	N 011 568 2	Washer		2	TURBO
23	N 019 121 1	Nut		2	TURBO
24	281 955 187	Valve		1	TURBO
25	999 651 159 02	Cable clamp		6	TURBO
26	N 023 570 2	Hose clamp		4	TURBO

Model: 944 85

Model life 1985>>1988



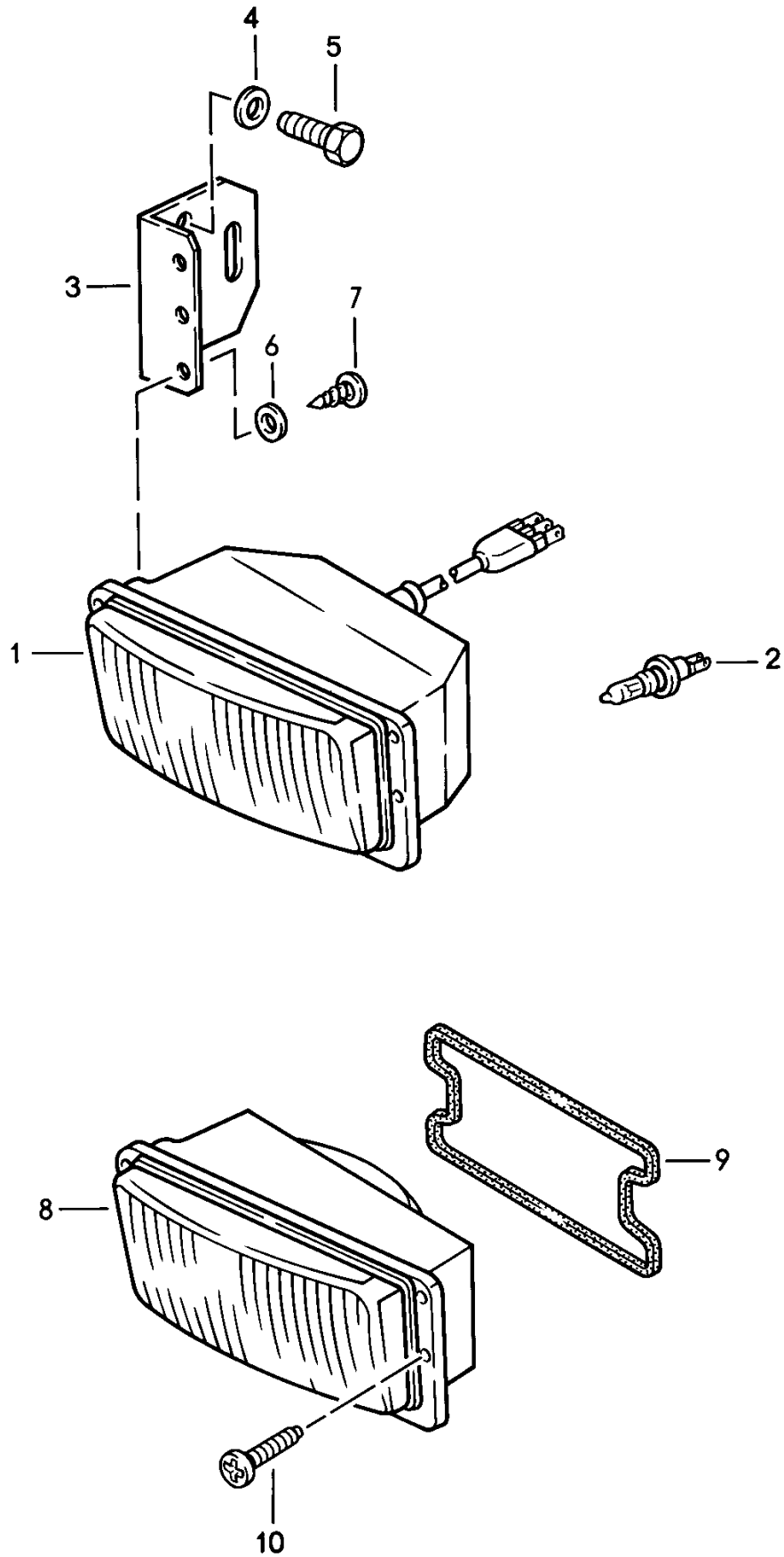
Model: 944 85

Model life 1985>>1988

Pos	Part Number	Description	Remark	Qty	Model
		Headlamp			
		Electric motor			
		Pop-up headlight			
1A	477 941 050 A	Retaining frame		2	
1B	111 941 049 A	Retaining ring		2	
1C	N 013 961 2	Oval-head sheetmetal screw		6	
1C	N 013 961 11	Oval-head sheetmetal screw		6	
1D	477 941 143	Adjusting screw		4	
1E	477 941 145	Retainer spring		4	
1F	477 941 147	Threaded piece		4	
2	477 941 379 B	Electric motor for Pop-up headlight		1	
3	477 941 386	Protection cap Lower		1	
4	477 941 387	Protection cap Upper		1	
-	477 941 383	Diode for Engine		X	
5	999 084 045 02	Pop-up headlight Lock nut M 6		1	
6	999 072 005 09	Hexagon nut M 6 X 12		3	
6	999 072 005 01	Hexagon nut M 6 X 12		3	
7	N 012 006 4	Lock ring B 6		3	
8	999 631 127 90	Headlamp unit Sealed-beam		2	
9	111 971 977	Flat connector socket		6	
10	111 971 986	Flat plug 6,3 X 0,8 with Clip		6	
11	900 143 041 00	Oval-head sheetmetal screw B 3,9 X 19		8	
12	900 025 002 02	Washer A 4,3		8	
12	900 025 002 03	Washer A 4,3		8	
13	477 857 173	Clip		2	
14	N 043 979 2	Tapping screw BZ 4,2 X 45		2	
15	111 943 383 C	Relay		1	
15	928 615 116 01	Relay		1	
16	477 971 923	Protection cap		1	
-	944 612 035 00	Wiring harness for Headlamp		2	

Model: 944 85

Model life 1985>>1988

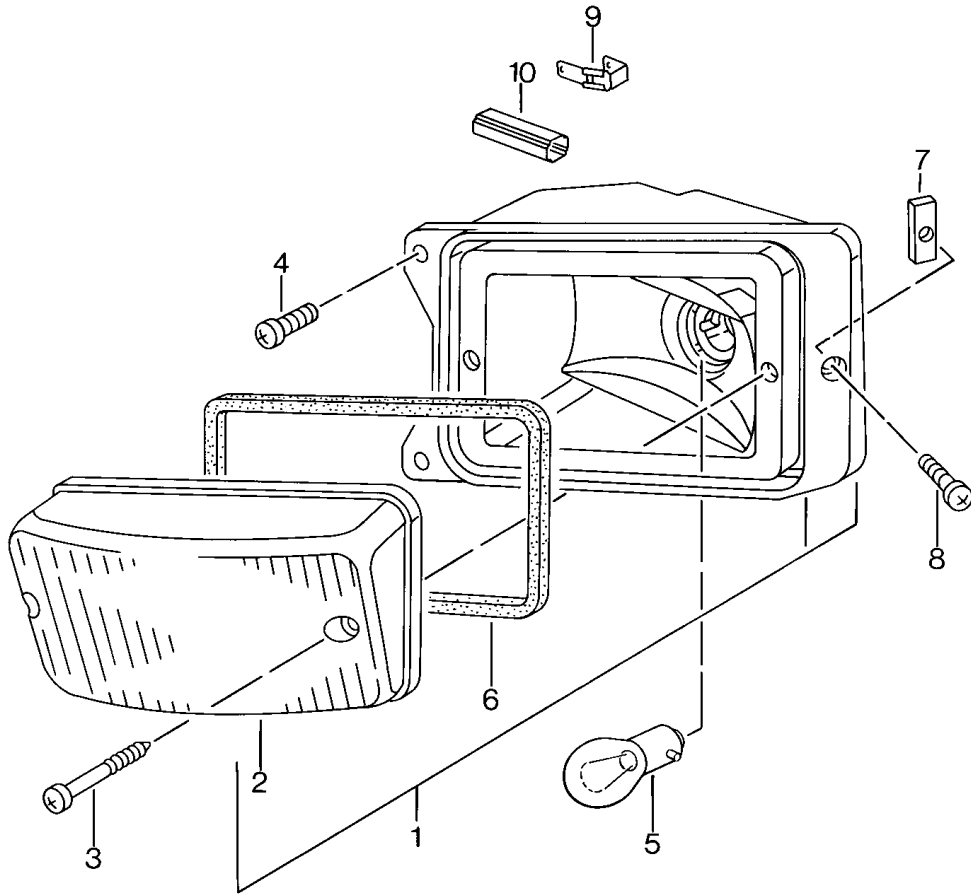


Model: 944 85 Model life 1985>>1988

Pos	Part Number	Description	Remark	Qty	Model
1	944 631 201 01	Fog headlamp		1	944,944S
(1)	944 631 202 01	Fog headlamp White	/L	1	
2	900 631 126 90	Halogen bulb H 3	/R	2	
3	944 501 375 00	Support		2	
4	900 025 003 02	Washer A 5,3		8	
5	N 013 971 3	Oval-head sheetmetal screw B 4,8 X 22		8	
6	N 011 524 7	Washer A 6,4		4	
6	N 011 524 27	Washer A 6,4		4	
7	999 072 005 09	Hexagon nut M 6 X 12		4	
7	999 072 005 01	Hexagon nut M 6 X 12		4	
8	944 631 901 00	Lens White	/L	1	
(8)	944 631 902 00	Lens White	/R	1	
9	437 941 715	Gasket		2	
10	N 010 707 2	Hexagon-head bolt		4	

Model: 944 85

Model life 1985>>1988



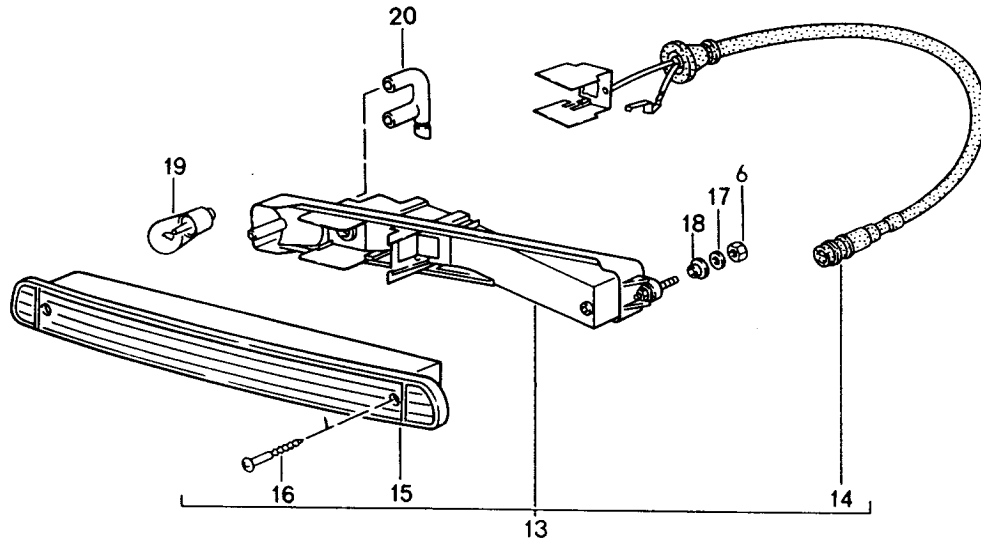
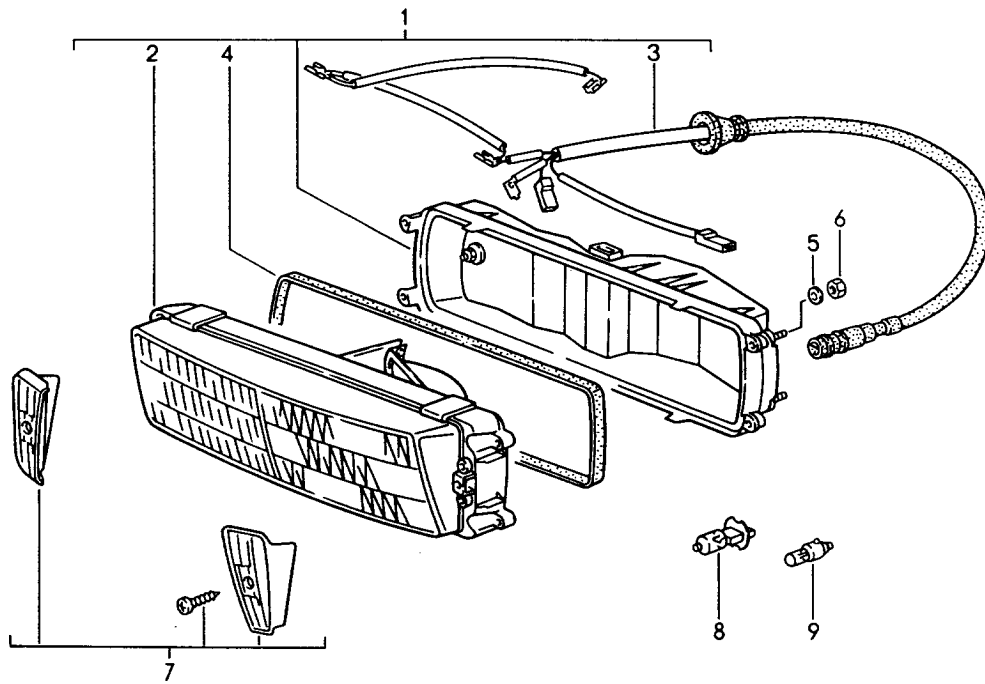
Model: 944 85

Model life 1985>>1988

Pos	Part Number	Description	Remark	Qty	Model
		Direction indicator light Front			944,944S
(1)	477 953 043 A	Direction indicator light		2	
(2)	477 953 161 A	Lens		2	
		Direction indicator light			
3	331 945 185	Oval-head sheetmetal screw		4	
(3)	321 953 169 A	Oval-head sheetmetal screw		4	
4	900 146 011 02	Oval-head screw AM 4 X 10		4	
(5)	900 631 128 90	Bulb 12V-21/5W		2	
6	477 953 165	Gasket		2	
-	477 953 171	Cover for Oval-head screw BM 4 X 25 Z		2	
7	931 505 181 00	Threaded plate		2	
8	N 014 119 1	Oval-head screw BM 4 X 20		2	
8	N 014 119 8	Oval-head screw BM 4 X 20		2	
(8)	N 030 102 1	Oval-head screw M 4 X 15		4	
-	944 631 213 00	Moulded hose		2	

Model: 944 85

Model life 1985>>1988

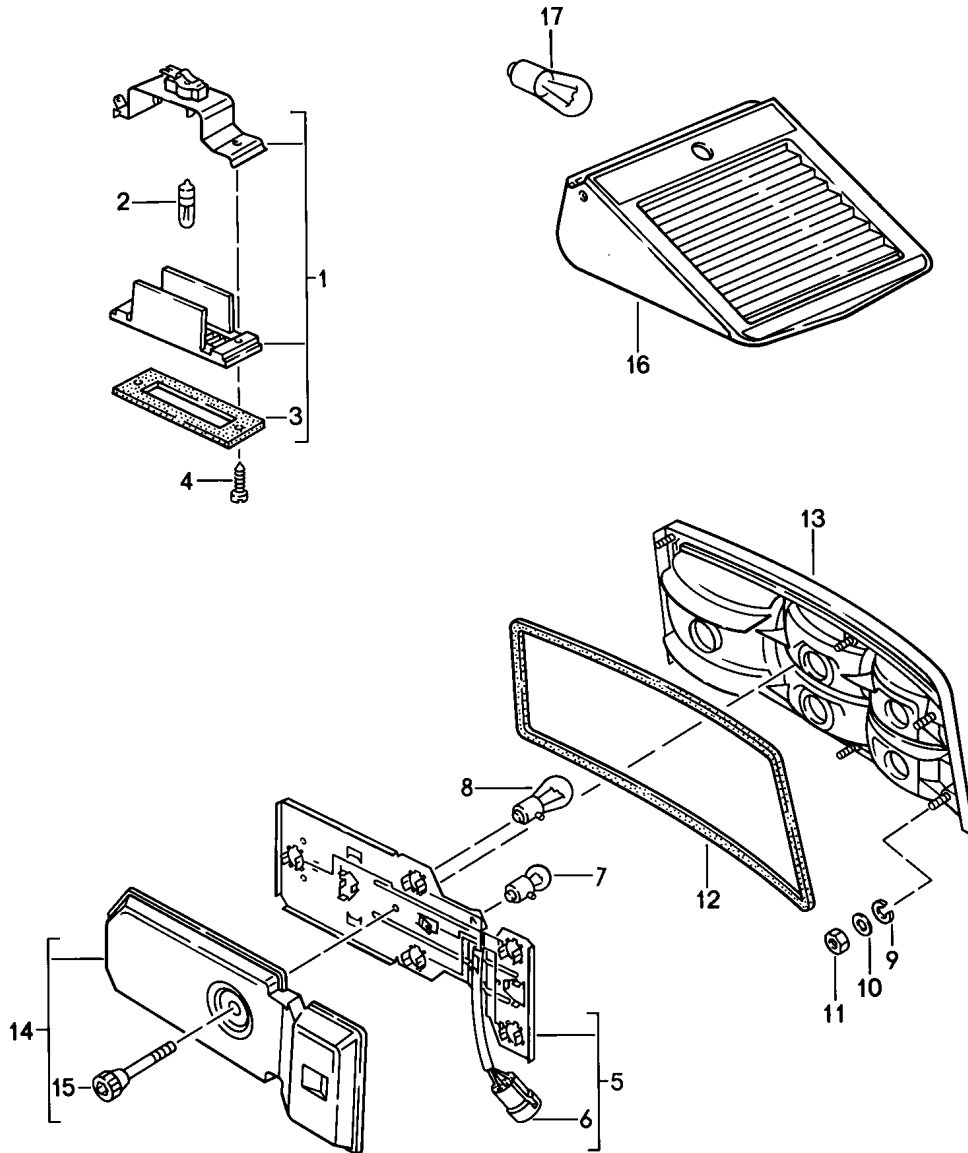


Model: 944 85 Model life 1985>>1988

Pos	Part Number	Description	Remark	Qty	Model
		Additional headlamp Direction indicator light			TURBO
1	951 631 251 00	Combined lights	/L	1	
(1)	951 631 252 00	Combined lights	/R	1	
2	951 631 221 02	Headlamp unit	/L	1	
		Comprising:			
		Lens		1	
		Gasket		1	
		Fastening screw		4	
(2)	951 631 222 02	Headlamp unit	/R	1	
3	951 612 061 20	Wiring harness		2	
4	951 631 167 00	Gasket		2	
5	N 011 665 3	Washer		6	
		B 5,3			
5	N 011 665 16	Washer		6	
		B 5,3			
6	N 011 005 14	Hexagon nut		10	
		M 5			
6	900 076 091 01	Hexagon nut		10	
		M 5			
7	951 631 931 00	Trim cover	/L	1	
		Set			
		White			
(7)	951 631 932 00	Trim cover	/R	1	
		Set			
		White			
8	900 631 126 90	Halogen bulb		4	
		H 3			
13	951 631 421 00	Direction indicator light	/L	1	
(13)	951 631 422 00	Direction indicator light	/R	1	
14	951 612 062 20	Wiring harness		2	
15	951 631 161 01	Lens	/L	1	
(15)	951 631 162 01	Lens	/R	1	
16	411 953 169	Oval-head sheetmetal screw		4	
17	N 011 692 3	Washer		4	
		5,1 X 15			
18	944 503 255 00	Spacer		4	
19	900 631 128 90	Bulb		2	
		12 V - 21/5 W			
20	951 631 313 00	Moulded hose		2	

Model: 944 85

Model life 1985>>1988

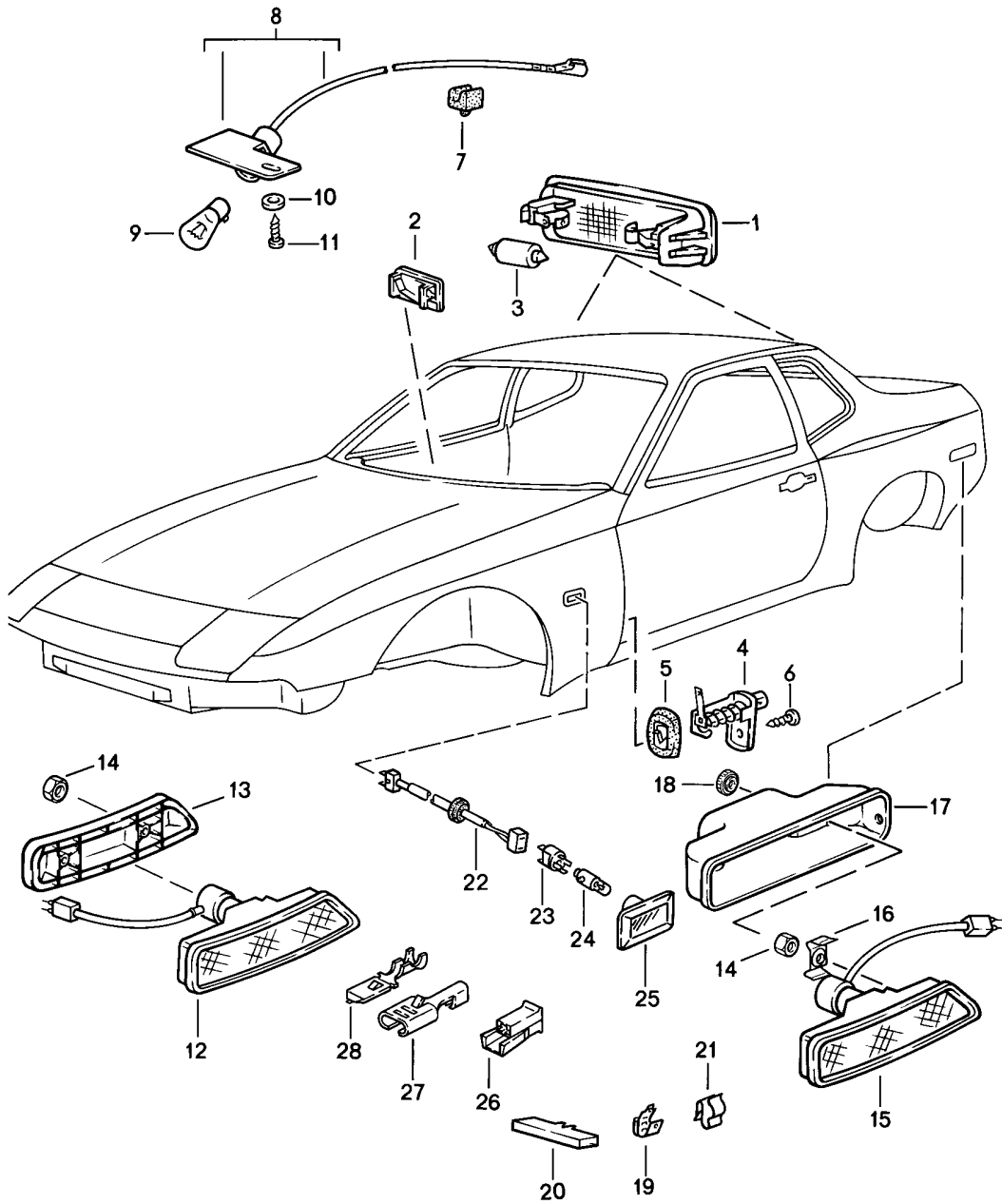


Model: 944 85 Model life 1985>>1988

Pos	Part Number	Description	Remark	Qty	Model
		License plate light			
		Rear light			
		Additional brake light			
1	477 943 021 A	License plate light		2	
2	900 631 103 90	Bulb		2	
		12V - 4W			
3	477 943 131	Gasket		2	
4	N 013 961 2	Oval-head sheetmetal screw	-85	2	
		B 3,9 X 13			
4	N 013 961 11	Oval-head sheetmetal screw		2	
		B 3,9 X 13			
(4)	900 146 041 07	Oval-head screw	86-	4	
		M 3 X 15			
-	N 011 535 5	Washer	86-	4	
		A 3,2			
-	N 041 184 1	Lock nut	86-	4	
(5)	477 945 113 A	Bulb holder	/L	1	
-	PCG 945 114	Bulb socket	/L	1	
		for			
(5)	477 945 114 A	Bulb holder	/R	1	
-	PCG 945 114	Bulb socket		1	
		for			
		Bulb holder			
6	803 971 980	Pin connector socket		2	
		7-pole			
7	900 631 104 90	Bulb		2	
		12V - 5W			
8	900 631 127 90	Bulb		7	
		12V - 21W			
9	N 012 005 3	Lock ring		12	
		B 5			
10	N 012 222 4	Spring washer		12	
		B 5			
11	N 011 005 14	Hexagon nut		12	
		M 5			
11	900 076 091 01	Hexagon nut		12	
		M 5			
-	000 043 172 00	Sealing cord		*	
		9 MM \$			
		Roller			
		10 M			
12		1070 MM		2	
(13)	477 945 213	Housing	/L (CDN) (USA)	1	
		with			
		Lens			
(13)	477 945 214	Housing	/R (CDN) (USA)	1	
		with			
		Lens			
14	477 945 285	Cap		2	
		with			
		Knurled screw			
16	928 631 070 00	Additional brake light		1	
-	928 631 061 00	Frame for light		1	
		for			
		Additional brake light			
17	900 631 127 90	Bulb		1	
		12V - 21W			

Model: 944 85

Model life 1985>>1988



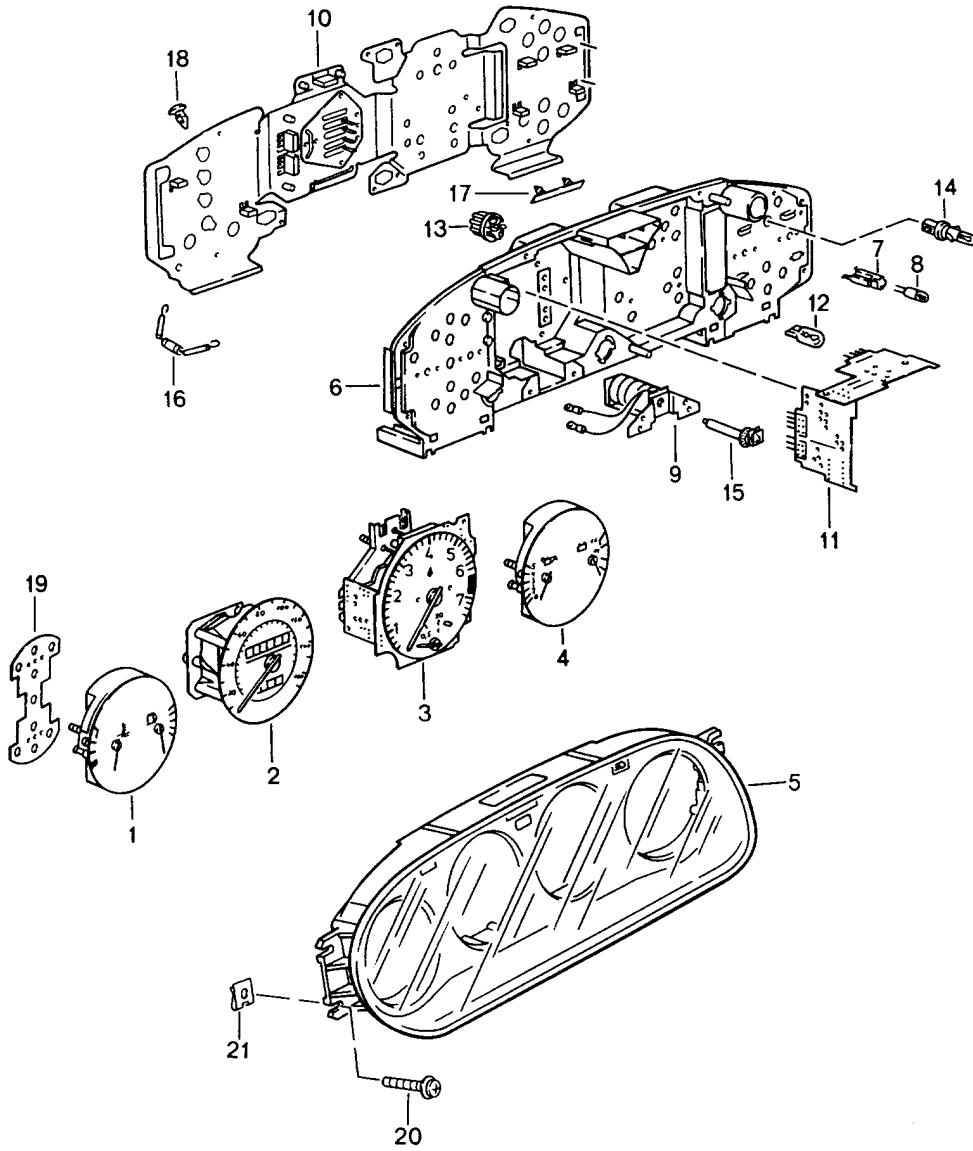
Model: 944 85

Model life 1985>>1988

Pos	Part Number	Description	Remark	Qty	Model
1	823 947 105 B	Interior light Direction indicator light Interior light		2	
2	944 632 113 00	Luggage compartment lamp Glove compartment light		1	
3	900 631 106 90	Linolite lamp 12V - 10W		2	
(3)	999 631 018 90	Bulb 12V - 3W		1	
4	968 613 601 00	Contact switch		2	
5	944 613 114 00	Gasket		2	
6	N 013 957 5	Oval-head sheetmetal screw BZ 3,5 X 9,5		2	
7	477 947 633	Clip		3	
8	944 628 051 00	Engine compartment lamp		1	
9	900 631 115 90	Bulb 12V - 10W		1	
10	900 151 028 02	Washer 4,3		1	
10	900 151 028 01	Washer 4,3		1	
11	900 143 031 02	Oval-head sheetmetal screw B 4,2 X 9,5		1	
12	944 631 411 00	Direction indicator light	/L	1	
(12)	944 631 412 00	Direction indicator light	/R	1	
13	944 631 413 01	Support	/L	1	
(13)	944 631 414 01	Support	/R	1	
14	N 011 005 14	Hexagon nut M 5		4	
14	900 076 091 01	Hexagon nut M 5		4	
15	944 631 425 00	Direction indicator light	/L	1	
(15)	944 631 426 00	Direction indicator light	/R	1	
16	944 631 433 00	Retaining bar		4	
17	944 631 427 00	Cover		2	
18	477 945 135	Knurled nut M 5		4	
19	111 971 511	Line distributor		2	
20	111 971 977	Flat connector socket Single pole		2	
21	999 591 380 02	Cable clamp		2	

Model: 944 85

Model life 1985>>1988

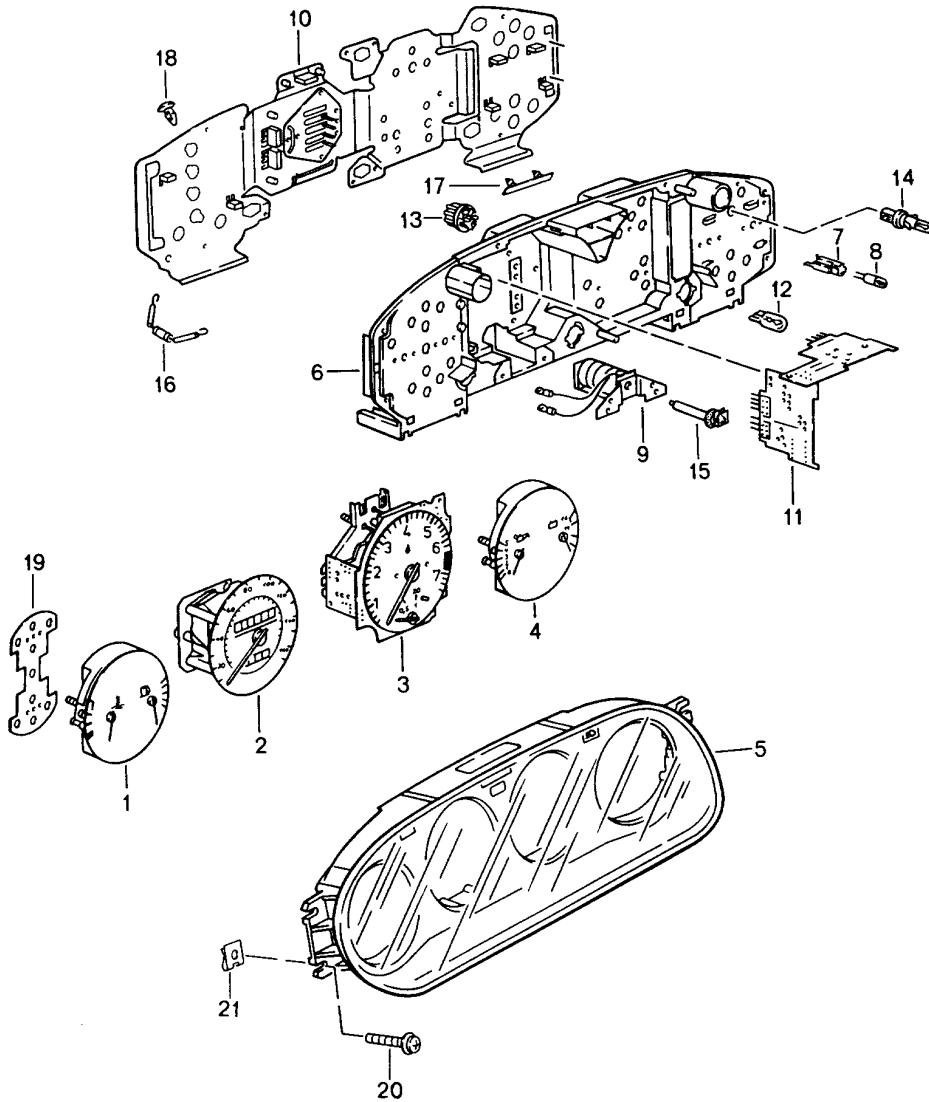


Model: 944 85 Model life 1985>>1988

Pos	Part Number	Description	Remark	Qty	Model
1	944 641 953 04	Instrument cluster Instrument cluster Left - temperat. - fuel gauge - English	-86	1	
2	944 641 951 00	Speedometer 270 KM/H	(CDN)	1	
2	944 641 951 09	Speedometer 170 MPH + 270 KM/H	(USA)	1	
2	944 641 951 04	Speedometer 270 KM/H	(CDN)	1	AUT.
2	944 641 951 09	Speedometer 170 MPH + 270 KM/H	(USA)	1	AUT.
3	944 641 952 00	Tachometer		1	
3	944 641 952 06	Tachometer	(USA)	1	
3	944 641 952 12	Tachometer		1	AUT.
3	944 641 952 04	Tachometer	(USA)	1	AUT.
3	944 641 952 01	Tachometer		1	TURBO
4	944 641 954 01	Instrument cluster Right - volt - oil - English		1	
5	944 641 941 01	Covering frame		1	
6	928 641 968 01	Mounting plate		1	
7	928 641 982 00	Bulb socket		6	
8	928 641 983 00	Bulb		6	
8	928 641 983 01	Bulb		6	
9	928 641 921 00	Solenoid coil		1	
10	944 641 961 01	Printed circuit board		1	
11	944 641 959 02	Printed circuit board		1	
12	900 631 019 90	Glass-base bulb 12 V - 3 W		4	
13	928 641 927 00	Bulb socket		4	
13	928 641 927 01	Bulb socket		4	
14	999 631 301 90	Bulb		4	
15	928 641 960 00	Zero adjustment shaft		1	
16	928 641 981 01	Resistor		1	
17	928 641 985 00	Clip		3	
18	928 641 984 00	Clip		4	
19	928 641 986 00	Gasket		1	
20	900 143 151 02	Combination tapping screw B 4,2 X 16		4	
21	N 015 429 2	Speed nut B 4,2		4	
21	N 015 429 6	Speed nut B 4,2		4	

Model: 944 85

Model life 1985>>1988

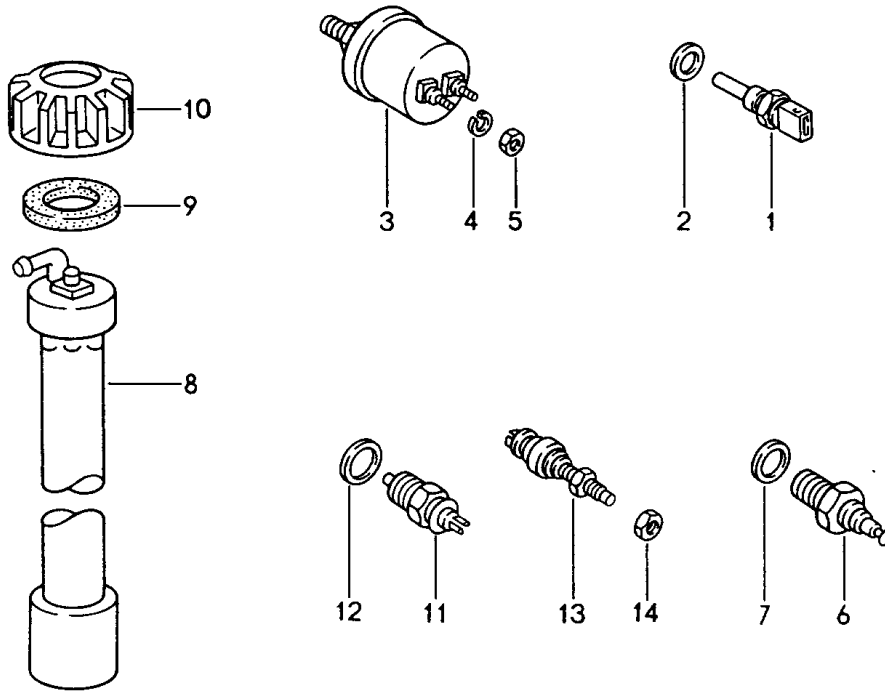


Model: 944 85 Model life 1985>>1988

Pos	Part Number	Description	Remark	Qty	Model
1	944 641 953 04	Instrument cluster Instrument cluster Left - temperat. - fuel gauge - English	87-	1	
2	944 641 951 15	Speedometer 170 MPH + 270 KM/H	(USA)	1	944/944S
2	944 641 951 10	Speedometer 270 KM/H	(CDN)	1	944/944S
2	944 641 951 21	Speedometer 170 MPH + 270 KM/H	(USA)	1	944 AUT.
2	944 641 951 18	Speedometer 270 KM/H	(CDN)	1	944 AUT.
2	944 641 951 17	Speedometer 180 MPH + 300 KM/H	(USA)	1	TURBO
2	944 641 951 13	Speedometer 300 KM/H	(CDN)	1	TURBO
3	944 641 952 08	Tachometer	(CDN)	1	
3	944 641 952 09	Tachometer	(CDN)	1	944S
3	944 641 952 10	Tachometer with Shift indicator	(USA)	1	944
3	944 641 952 11	Tachometer	(USA)	1	944S
3	944 641 952 12	Tachometer		1	944 AUT.
3	944 641 952 01	Tachometer		1	TURBO
4	944 641 954 04	Instrument cluster Right - volt - oil - English		1	
5	944 641 941 01	Covering frame		1	
6	928 641 968 01	Mounting plate		1	
7	928 641 982 00	Bulb socket		6	
8	928 641 983 00	Bulb		6	
8	928 641 983 01	Bulb		6	
9	928 641 921 00	Solenoid coil		1	
10	944 641 961 01	Printed circuit board		1	
11	944 641 959 02	Printed circuit board		1	
12	900 631 019 90	Glass-base bulb 12 V - 3 W		4	
13	928 641 927 00	Bulb socket		4	
13	928 641 927 01	Bulb socket		4	
(13)	964 641 920 00	Glass-base bulb Indicator light Airbag		1	
14	999 631 301 90	Bulb		4	
15	928 641 960 00	Zero adjustment shaft		1	
16	928 641 981 01	Resistor		1	
17	928 641 985 00	Clip		3	
18	928 641 984 00	Clip		4	
19	928 641 986 00	Gasket		1	
20	900 143 151 02	Combination tapping screw B 4,2 X 16		4	
21	N 015 429 2	Speed nut B 4,2		4	
21	N 015 429 6	Speed nut B 4,2		4	

Model: 944 85

Model life 1985>>1988



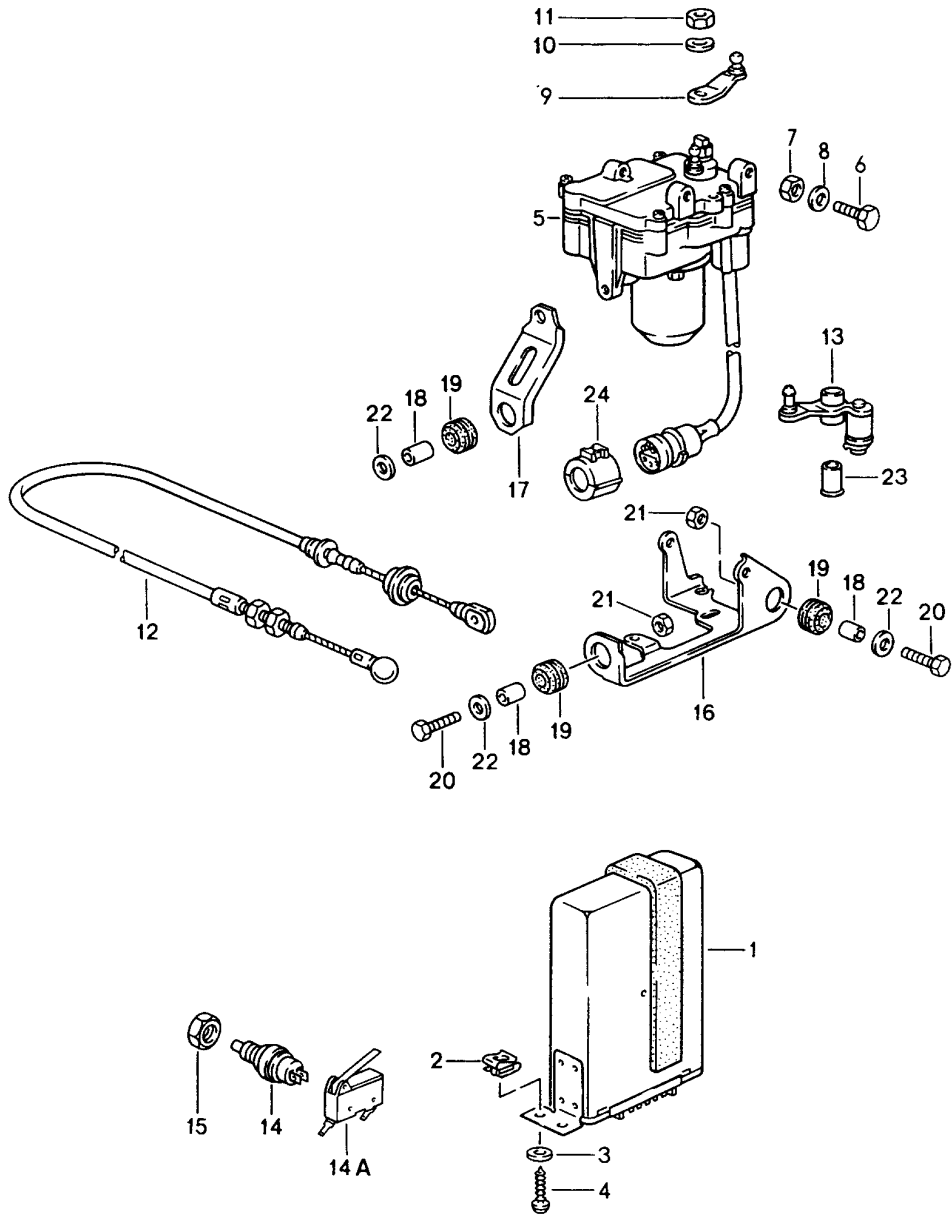
Model: 944 85

Model life 1985>>1988

Pos	Part Number	Description	Remark	Qty	Model
		Switch			
		And			
		Sender			
1	944 606 125 00	Temperature sensor		1	
2	900 123 101 30	Sealing ring 12 X 18		1	
3	928 606 203 01	Oil pressure sender		1	
3	928 606 203 04	Oil pressure sender		1	
4	N 012 224 3	Spring washer A 4		2	
5	N 011 004 6	Hexagon nut M 4		2	
5	N 011 004 G	Nut M 4		2	
6	928 606 201 01	Remote temperature sensor for cooling water		1	
7	900 123 007 30	Sealing ring A 14 X 18		1	
8	944 641 037 01	Tank gauge		1	
9	944 201 327 00	Sealing ring		1	
10	951 201 375 00	Union nut		1	
11	084 941 521	Switch Back-up light		1	
12	900 123 106 30	Sealing ring		1	
13	477 945 515	Brake light switch		1	
14	481 945 529	Nut		1	

Model: 944 85

Model life 1985>>1988

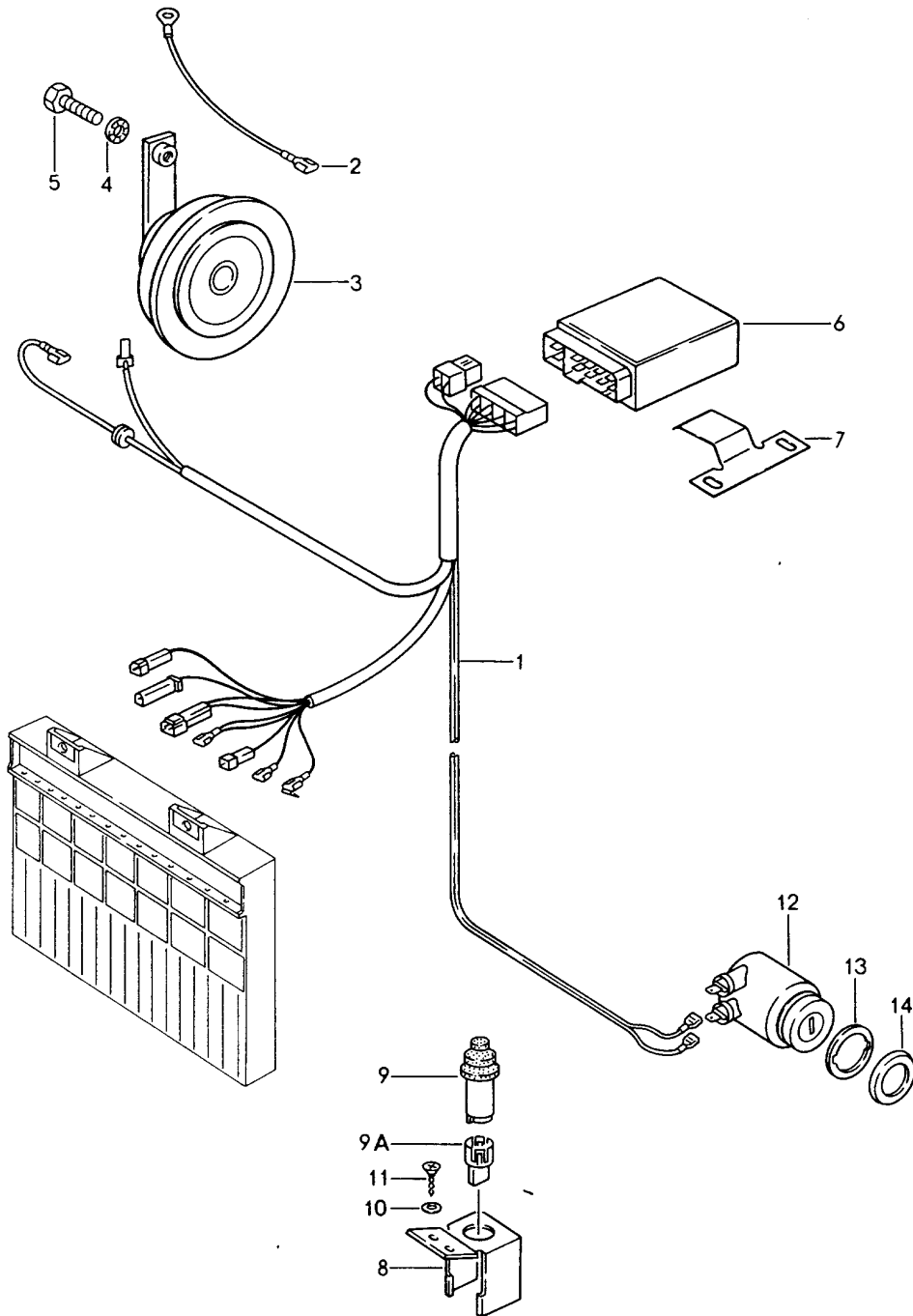


Model: 944 85 Model life 1985>>1988

Pos	Part Number	Description	Remark	Qty	Model
		Cruise control			M454
1	944 617 132 00	Control unit		1	
2	N 015 422 2	Speed nut B 4,2 X 17		2	
3	N 012 225 3	Spring washer B 5		2	
4	N 013 964 4	Oval-head sheetmetal screw B 4,2 X 16		2	
5	944 617 121 00	Drive link		1	
6	999 072 005 09	Hexagon nut M 6 X 12		2	
6	999 072 005 01	Hexagon nut M 6 X 12		2	
7	900 076 010 02	Nut M 6		2	
7	900 076 010 0B	Nut M 6		2	
8	N 011 524 7	Washer A 6,4		2	
8	N 011 524 27	Washer A 6,4		2	
9	944 423 047 00	Rubber mounting for Drive link		1	
10	N 012 229 3	Spring washer A 8		1	
11	N 011 018 4	Hexagon nut M 8 X 1		1	
12	944 423 025 02	Cable	/LL	1	
13	944 423 055 00	Reverse lever	/LL	1	
14	944 613 413 00	Switch for Clutch pedal	/LL	1	
15	481 945 529	Nut M 12 X 1		1	
16	944 423 215 02	Support		1	
17	944 423 115 02	Strut		1	
18	999 531 014 02	Bush		3	
19	999 702 133 40	Rubber mounting		3	
20	900 075 017 02	Hexagon-head bolt M 6 X 25		2	
20	900 075 017 03	Hexagon-head bolt M 6 X 25		2	
21	900 076 010 02	Nut M 6		2	
21	900 076 010 0B	Nut M 6		2	
22	N 011 666 7	Washer B 6,1		4	
23	999 924 001 40	Bearing sleeve		2	
24	944 612 450 00	Fixing clip		1	
-	999 651 207 40	Cable holder		2	
-	171 721 570 A	Safety clip for Cable		1	

Model: 944 85

Model life 1985>>1988



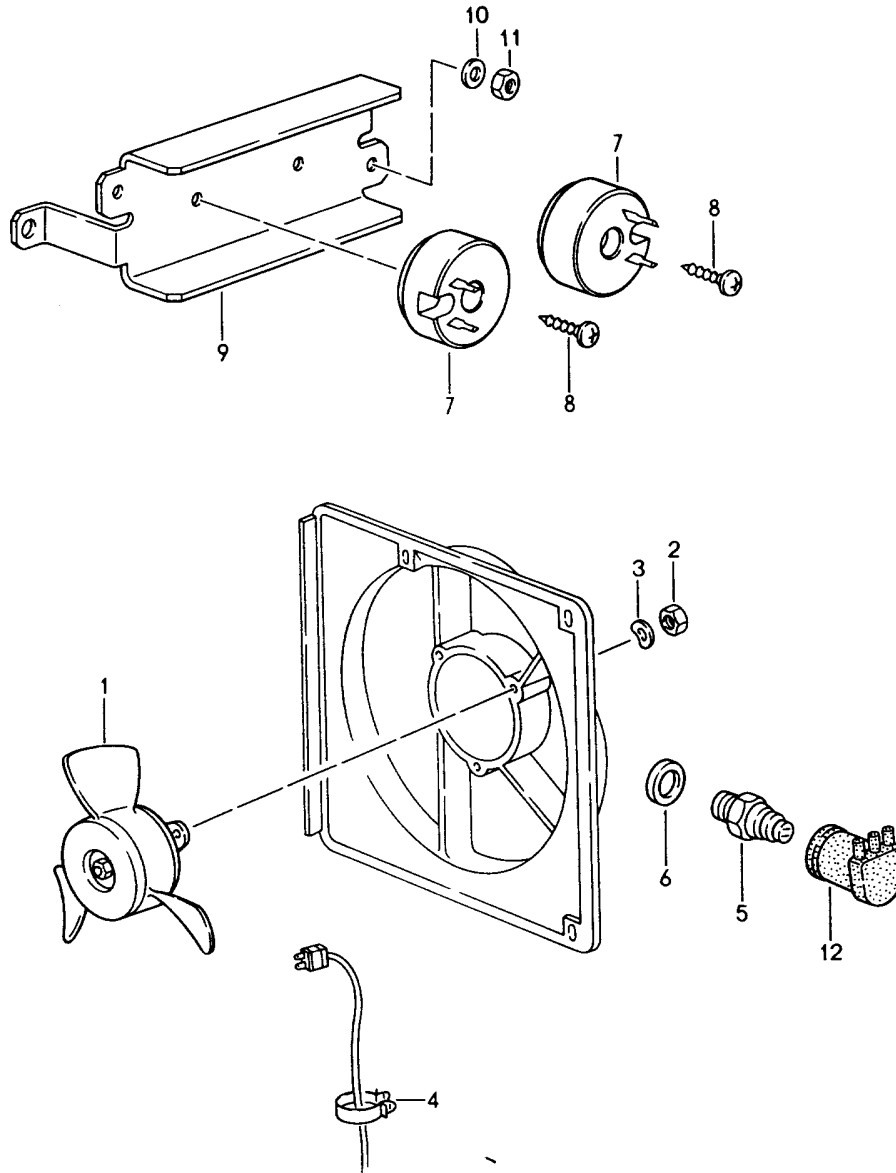
Model: 944 85

Model life 1985>>1988

Pos	Part Number	Description	Remark	Qty	Model
1	477 971 163	Alarm system		1	
2	477 971 325	Wiring harness		1	
3	944 637 103 01	Single line		1	
3		Horn		1	
3		Horn		1	
4	999 523 102 02	Washer		1	
		J 8,4			
4	999 523 102 0B	Washer		1	
		J 8,4			
5	900 075 087 02	Hexagon-head bolt		1	
		M 8 X 16			
5	900 075 087 03	Hexagon-head bolt		1	
		M 8 X 16			
6	911 637 104 02	Alarm control unit	-87	1	
6	911 637 104 04	Alarm control unit	-88	1	
7	944 637 051 01	Support		1	944/944S
7	944 637 051 00	Support		1	TURBO
8	477 805 713	Support		1	
9	928 613 173 00	Contact switch		1	
9A	477 971 837	Connector housing		1	
		for			
		Contact switch			
10	N 011 521 3	Washer		2	
		A 3,7			
11	N 013 957 5	Oval-head sheetmetal screw		2	
		3,5 X 9,5			
12	911 637 101 00	Alarm switch		1	
		with keys			
13	477 951 255	Washer		1	
14	477 951 251	Rosette		1	
	477 951 251 01C	Satin black			

Model: 944 85

Model life 1985>>1988

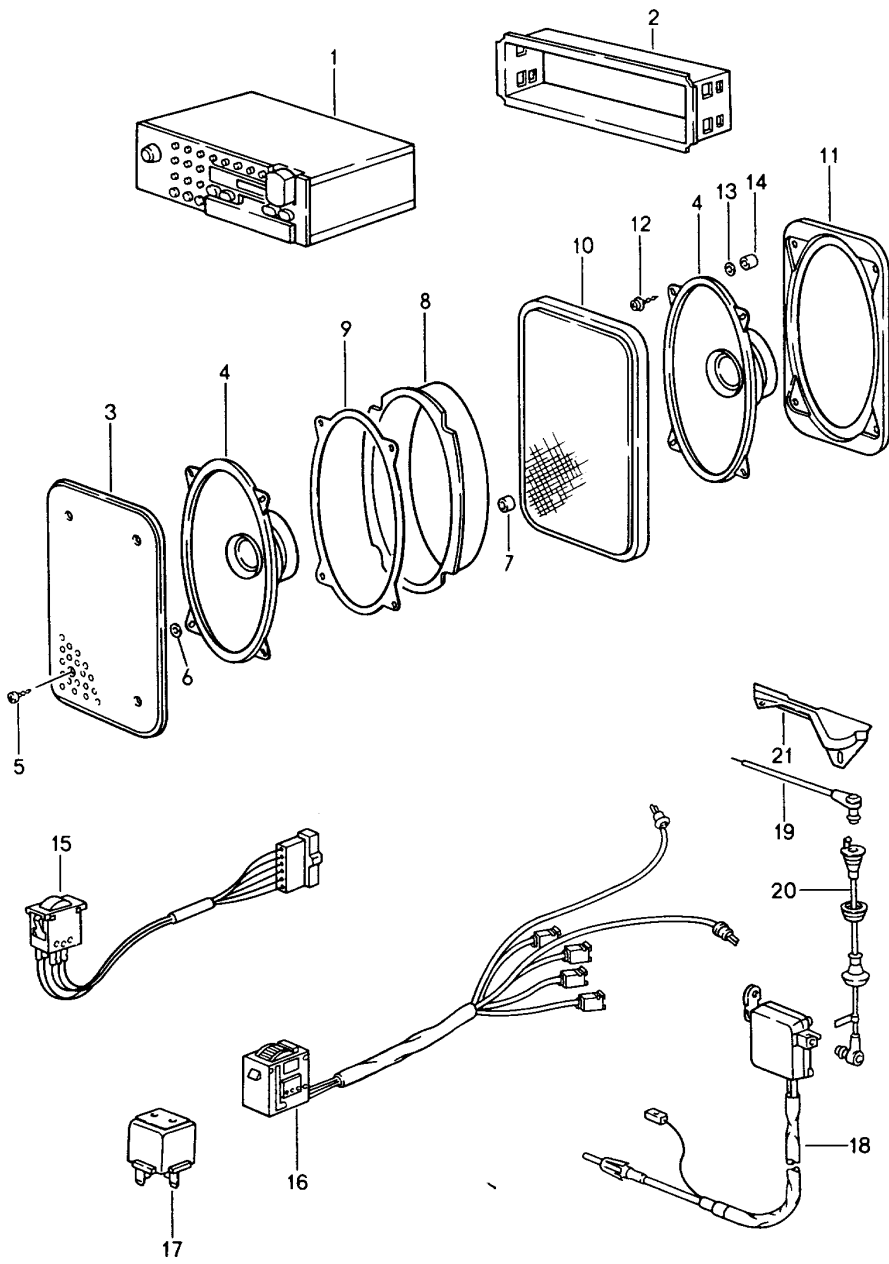


Model: 944 85 Model life 1985>>1988

Pos	Part Number	Description	Remark	Qty	Model
1	944 624 021 03	Electric fan		1	944
1		Electric fan		2	,TURBO M573
2	900 910 012 02	Lock nut M 6		3	
2	900 910 047 09	Lock nut M 6		3	
3	N 011 666 7	Washer A 6,4		3	
4	999 651 168 40	Cable holder		1	
5	944 606 481 00	Temperature switch		1	944
(5)	951 606 481 00	Switch		1	,TURBO M573
6	N 043 808 1	Sealing ring A 22 X 29		1	
7	944 616 521 00	Series resistor 52,5 W/0,9 OHM		1	944
7	944 616 521 01	Series resistor 52,5 W/0,9 OHM		1	944
7	944 616 521 00	Series resistor 52,5 W/0,9 OHM		2	,TURBO M573
7	944 616 521 01	Series resistor 52,5 W/0,9 OHM		2	,TURBO M573
8	900 250 016 02	Tapping screw AM 5 X 16		1	
9	944 616 511 00	Heat dissipator	/LL -86	1	
9	944 616 511 01	Heat dissipator	/LL 87-	1	
10	N 012 226 5	Spring washer A 6		2	
11	900 076 010 02	Nut M 6		2	
11	900 076 010 0B	Nut M 6		2	
12	477 971 934	Protection cap		1	
-	944 616 513 00	Temperature switch		1	
-	N 011 005 14	Hexagon nut M 5		1	
-	900 076 091 01	Hexagon nut M 5		1	

Model: 944 85

Model life 1985>>1988

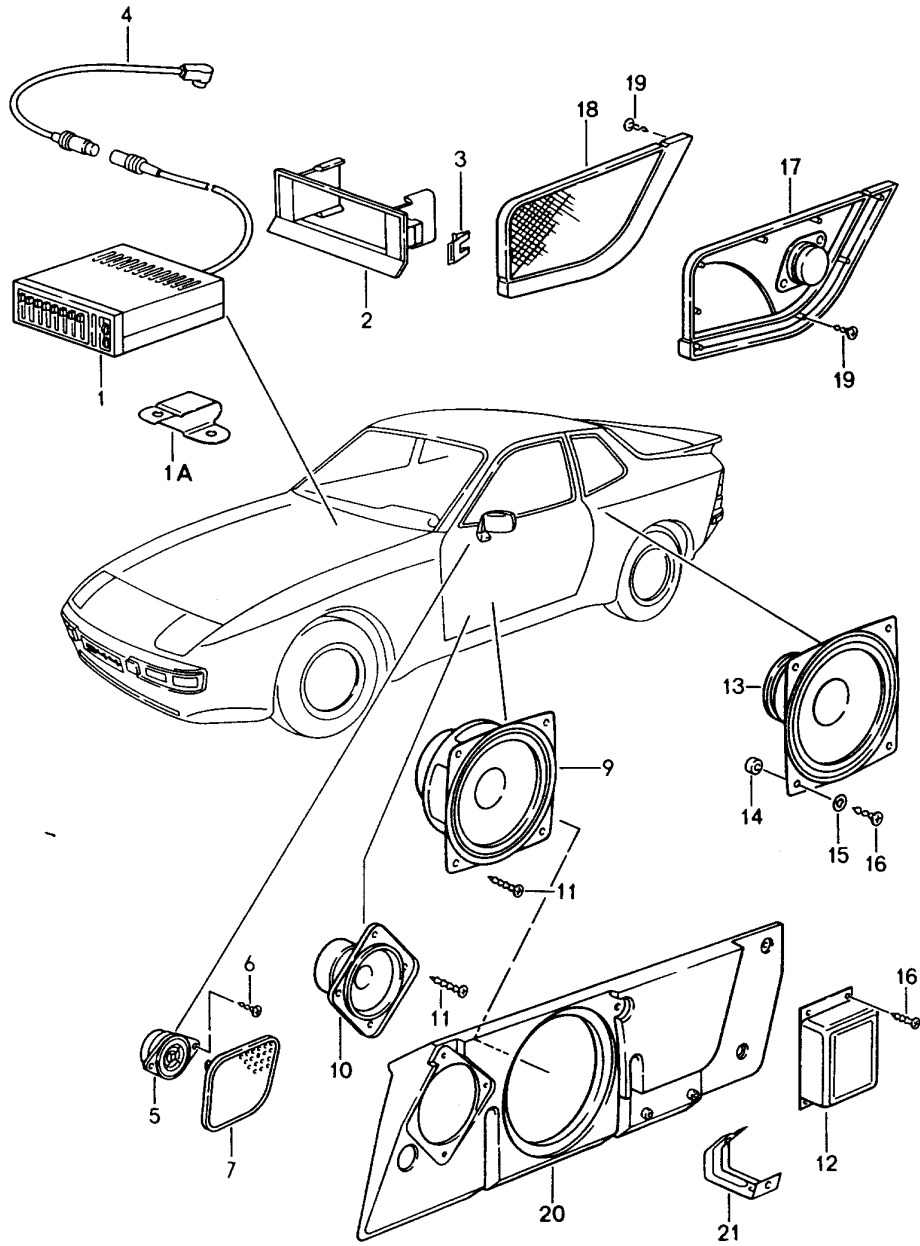


Model: 944 85 Model life 1985>>1988

Pos	Part Number	Description	Remark	Qty	Model
(1)	911 645 158 00	Radio Radio BOSTON SQM 23 W/o motorist radio information		1	
(1)	911 645 180 00	Radio CHARLESTON		1	
(1)	928 645 019 01	Installation set CD player CD-2		1	
2	911 645 173 02	Retaining frame		1	
3	477 867 081	Loudspeaker grille	/V	2	
	477 867 081 01C	Black			
	477 867 081 4RB	Brown			
	477 867 081 8CJ	Light grey	85		
	477 867 081 9MM	Burgundy			
	477 867 081 2DJ	Light grey	86-		
4	944 645 451 00	Loudspeaker Front		2	
4	944 645 951 00	Loudspeaker HINWEISTEXT VORGÄNGER Attention		X	
4	944 645 461 01	Loudspeaker Rear		2	
5	N 014 091 4	Rais. counters. h. tap. s. 3,9 X 16	/V	8	
5	N 013 962 2	Oval-head sheetmetal screw 3,9 X 16	/H	8	
6	900 151 028 02	Washer	/H	8	
6	900 151 028 01	Washer	/H	8	
7	477 867 373	Bush	/V	8	
7	477 035 375	Bush	/H	8	
8	944 645 015 00	Water protection	/V	2	
9	477 035 999	Gasket	/H	2	
10	944 555 149 00	Loudspeaker grille		2	M651
	944 555 149 00 01C	Satin black			
10	944 555 149 01	Loudspeaker grille Satin black	87-	2	M651
11	944 555 159 00	Frame		2	M651
12	900 143 178 07	Oval-head sheetmetal screw 3,9 X 22		8	M651
13	900 025 002 02	Washer		8	M651
13	900 025 002 03	Washer		8	M651
14	477 035 375	Bush		8	M651
15	951 645 053 00	Fader	85	1	
16	944 645 054 00	Fader	86-	1	
17	944 615 103 00	Switch unit for Radio Lifting roof		1	
18	944 645 173 01	Antenna booster		1	
18	964 645 173 01	Antenna booster		1	
19	944 645 185 01	Connecting cable for Antenna booster		1	
20	941 645 183 00	Extension cable for Antenna booster		1	
21	944 645 413 00	Cover for Antenna booster		1	

Model: 944 85

Model life 1985>>1988



Model: 944 85 Model life 1985>>1988

Pos	Part Number	Description	Remark	Qty	Model
1	944 645 417 01	for SOUNDSYSTEM Equaliser BEA 80		1	
(1)	944 645 417 02	Equaliser BEA 108		1	
-	944 645 517 00	Connecting cable for Radio Equaliser BEA 108		1	
1A	944 645 065 00	Retaining bar for Equaliser		1	
2	944 645 501 00	Cover for BEA 80		1	
(2)	944 645 501 01	Cover for BEA 108		1	
3	944 645 557 00	Spring clamp		2	
4	944 645 171 00	Connecting cable		1	
5	944 645 427 00	Tweeter		2	
6	N 013 958 7	Oval-head sheetmetal screw		4	
7	944 645 431 00	Cover	/L	1	
	944 645 431 00 01C	Black			
	944 645 431 00 4RB	Brown			
	944 645 431 00 9MM	Burgundy			
(7)	944 645 432 00	Cover	/R	1	
	944 645 432 00 01C	Black			
	944 645 432 00 4RB	Brown			
	944 645 432 00 9MM	Burgundy			
9	944 645 429 00	Woofers		2	
10	944 645 419 00	Mid-range loudspeaker		2	
11	900 143 031 02	Oval-head sheetmetal screw B 4,2 X 9,5		10	
12	944 645 437 00	Diplexer		2	
13	944 645 425 00	Woofers		2	
14	477 035 375	Bush		8	
15	900 025 002 02	Washer A 4,3		8	
15	900 025 002 03	Washer A 4,3		8	
16	N 013 961 2	Oval-head sheetmetal screw B 3,9 X 13		8	
16	N 013 961 11	Oval-head sheetmetal screw B 3,9 X 13		8	
17	944 645 045 00	Loudspeaker	/L	1	
	944 645 045 00 01C	Black			
	944 645 045 00 4RB	Brown			
	944 645 045 00 9MM	Burgundy			
18	944 645 046 00	Loudspeaker	/R	1	
	944 645 046 00 01C	Black			
	944 645 046 00 4RB	Brown			
	944 645 046 00 9MM	Burgundy			
19	999 919 032 02	Oval-head screw 3,5 X 10		16	
20	944 555 943 00	Retaining frame	/L	1	
20	944 555 944 00	Retaining frame	/R	1	
21	944 531 243 00	Retaining bracket for Retaining frame		4	

Model: 944 85

Model life 1985>>1988



Model: 944 85 Model life 1985>>1988

Pos	Part Number	Description	Remark	Qty	Model
>>	944 628 995 01	Installation set Repair kits Installation set Rear window wiper Comprising:	-86	1	
-	477 955 713 A	Wiper motor		1	
-	944 628 071 00	Mounting plate		1	
-	N 012 226 5	Spring washer B 6		3	
-	900 076 010 02	Nut M 6		3	
-	900 076 010 0B	Nut M 6		3	
-	477 955 737	Cap		1	
-	477 955 439	Grommet		2	
-	477 955 435 A	Spacer		1	
-	311 955 243 A	Hexagon nut M 12 X 1		1	
-	211 955 275 A	Housing		1	
-	477 955 409 A	Wiper arm		1	
-	999 084 045 02	Lock nut		1	
-	928 628 218 01	Wiper blade		1	
-	928 628 218 02	Wiper blade		1	
-	944 612 065 01	Wiring harness for Rear window wiper		1	
-	951 613 113 00	Rocker switch		1	
>>	951 613 113 00 01C	Satin black			
>>	944 628 995 03	Installation set Rear window wiper Comprising:	87-	1	
-	477 955 713 A	Wiper motor		1	
-	944 628 071 01	Mounting plate		1	
-	N 012 226 5	Spring washer B 6		3	
-	900 076 010 02	Nut M 6		3	
-	900 076 010 0B	Nut M 6		3	
-	477 955 737	Cap		1	
-	477 955 439	Grommet		2	
-	477 955 435 A	Spacer		1	
-	311 955 243 A	Hexagon nut M 12 X 1		1	
-	211 955 275 A	Housing		1	
-	477 955 409 A	Wiper arm		1	
-	999 084 045 02	Lock nut		1	
-	928 628 218 01	Wiper blade		1	
-	944 612 065 01	Wiring harness		1	
-	951 613 113 00	Rocker switch		1	
-	951 613 113 00 01C	Satin black			
-	937 503 255 01	Spacer		2	
-	N 011 524 7	Washer A 6,4		2	
-	N 011 524 27	Washer A 6,4		2	
-	N 014 140 5	Oval-head screw M 6 X 15		2	
-	111 953 547	Grommet		2	
-	951 613 113 00	Rocker switch		1	
-	951 613 113 00 01C	Satin black			