

Model: 928 83**Model life 1983>>1986**

ORDER-INFO

THIS PARTS CATALOGUE CONTAINS ALL ORDER INFORMATION OF
TYPE 928S FROM MODEL YEAR 1983 TO MODEL YEAR 1986

IT IS AVAILABLE IN TWO EDITIONS IN THE FOLLOWING LANGUAGES:

EDITION

USA, CANADA

- *

EDITION

ALL OTHER COUNTRIES

- GERMAN

* - ENGLISH

- FRENCH

- ITALIAN

- SPANISH

UPDATING IS BEING PERFORMED BY CHANGING OF UPDATE.

THE EDITION CAN BE RECOGNIZED BY THE CURRENT NO.
YEAR IN THE BOTTOM LINE OF SUBJECT UPDATE.

THE PREVIOUS UPDATE SHOULD NO LONGER BE USED.

ALL ILLUSTRATIONS ARE SUBJECT TO CHANGE WITHOUT OBLIGATION.

Model: 928 83

Model life 1983>>1986

EXPLANAT.- VIN

EXPLANATION OF THE ABRIDGED VERSION OF THE VEHICLE IDENT. NUMBERS (VIN)
 =====
 USED IN THE CATALOGUE
 =====

DIGIT:		1	2	3	4	5	6	7	8	9	10	11	12	13	14	15	16	17
--------	--	---	---	---	---	---	---	---	---	---	----	----	----	----	----	----	----	----

EXAMPLE:		W	P	O	Z	Z	Z	9	2	Z	G	S	8	4	0	1	2	5
----------	--	---	---	---	---	---	---	---	---	---	---	---	---	---	---	---	---	---

								===			=		=						=====
--	--	--	--	--	--	--	--	-----	--	--	---	--	---	--	--	--	--	--	-------

								!			!	!	!					!
--	--	--	--	--	--	--	--	---	--	--	---	---	---	--	--	--	--	---

VEHICLE TYPE 1ST+2ND DIGIT-----+											!	!	!					!
----------------------------------	--	--	--	--	--	--	--	--	--	--	---	---	---	--	--	--	--	---

											!	!	!					!
--	--	--	--	--	--	--	--	--	--	--	---	---	---	--	--	--	--	---

MODEL YEAR-----+											!	!	!					!
------------------	--	--	--	--	--	--	--	--	--	--	---	---	---	--	--	--	--	---

											!	!	!					!
--	--	--	--	--	--	--	--	--	--	--	---	---	---	--	--	--	--	---

MANUFACTURING LOCATION-----+											!	!	!					!
------------------------------	--	--	--	--	--	--	--	--	--	--	---	---	---	--	--	--	--	---

											!	!	!					!
--	--	--	--	--	--	--	--	--	--	--	---	---	---	--	--	--	--	---

VEHICLE TYPE 3RD DIGIT-----+											!	!	!					!
------------------------------	--	--	--	--	--	--	--	--	--	--	---	---	---	--	--	--	--	---

											!	!	!					!
--	--	--	--	--	--	--	--	--	--	--	---	---	---	--	--	--	--	---

SERIAL NUMBER-----+											!	!	!					!
---------------------	--	--	--	--	--	--	--	--	--	--	---	---	---	--	--	--	--	---

Model: 928 83

Model life 1983>>1986

SUMMARY TYPES

VEHICLE TYPE	MY	VIN	ENGINE TYPE
928 S	83 D	92DS8 40001>45000	M28.11/12 221KW
928 S (USA) (CDN)	83 D	92DS8 60001>65000	M28.19/20 178KW
928 S (J)	83 D	92DS8 49501>49999	M28.20 178KW
928 S	84 E	92ES8 40001>45000	M28.21/22 228KW
928 S (USA) (CDN)	84 E	92ES8 60001>65000	M28.19/20 178KW
928 S (J)	84 E	92ES8 49501>49999	M28.20 178KW
928 S	85 F	92FS8 40001>45000	M28.21/22 228KW
928 S M298/299	85 F	92FS8 40001>45000	M28.43/44 200KW
928 S (USA) (CDN)	85 F	92FS8 60001>65000	M28.43/44 200KW
928 S (J)	85 F	92FS8 49501>49999	M28.44 200KW
928 S	86 G	92GS8 40001>45000	M28.21/22 228KW
928 S M298/299	86 G	92GS8 40001>45000	M28.45/46 212KW
928 S (USA) (CDN)	86 G	92GS8 60001>65000	M28.43/44 215KW
928 S (J)	86 G	92GS8 49501>49999	M28.44 215KW

Model: 928 83

Model life 1983>>1986

EXPL. ENGINE-NO.

EXPLANATION OF THE MOTOR-NUMBERS USED IN THE CATALOGUE

=====

DIGIT:	1 2 3	4 5 6 7 8
EXAMPLE:	8 2 G	0 0 1 3 6
	= = =	=====
	! ! !	!
ENGINE TYPE (8 = 8-CYL.-ENGINE)-----+	! !	!
	! !	!
ENGINE VERSION-----+	!	!
	!	!
MODEL YEAR-----+		!
		!
SERIAL NUMBER-----+		!

Model: 928 83

Model life 1983>>1986

Model: 928 83

Model life 1983>>1986

SUMMARY ENGINES

VEHICLE TYPE	ENGINE			TECHNICAL DATA
	TYPE	MY	ENGINE NO.	
928 S	M28.11	83 D	82D 0001>5000	8ZYL/4,7L/221KW
928 S M249	M28.12	83 D	82D 5001>8000	8ZYL/4,7L/221KW
928 S (USA)(CDN)	M28.19	83 D	81D 0001>5000	8ZYL/4,7L/178KW
928 S M249 (USA)(CDN)	M28.20	83 D	81D 5001>8000	8ZYL/4,7L/178KW
928 S (J)	M28.20	83 D	81D 9001>9999	8ZYL/4,7L/178KW
928 S	M28.21	84 E	82E 00001>05000	8ZYL/4,7L/228KW
928 S M249	M28.22	84 E	82E 05001>10000	8ZYL/4,7L/228KW
928 S (USA)(CDN)	M28.19	84 E	81E 00001>05000	8ZYL/4,7L/178KW
928 S M249 (USA)(CDN)	M28.20	84 E	81E 05001>10000	8ZYL/4,7L/178KW
928 S (J)	M28.20	84 E	81E 05001>10000	8ZYL/4,7L/178KW
928 S	M28.21	85 F	82F 00001>05000	8ZYL/4,7L/228KW
928 S M249	M28.22	85 F	82F 05001>10000	8ZYL/4,7L/228KW
928 S M298	M28.43	85 F	81F 00001>05000	8ZYL/4,7L/200KW
928 S M299	M28.44	85 F	81F 05001>10000	8ZYL/4,7L/200KW
928 S (USA)(CDN)	M28.43	85 F	81F 00001>05000	8ZYL/4,7L/200KW
928 S M249 (USA)(CDN)	M28.44	85 F	81F 05001>10000	8ZYL/4,7L/200KW
928 S (J)	M28.44	85 F	81F 05001>10000	8ZYL/4,7L/200KW
928 S	M28.21	86 G	82G 00001>05000	8ZYL/4,7L/228KW
928 S M249	M28.22	86 G	82G 05001>10000	8ZYL/4,7L/228KW
928 S M298	M28.45	86 G	89G 00001>05000	8ZYL/4,7L/212KW
928 S M299	M28.46	86 G	89G 05001>10000	8ZYL/4,7L/212KW
928 S M251 (CH)(S)	M28.22	86 G	82G 05001>10000	8ZYL/4,7L/228KW
928 S (AUS)	M28.46	86 G	89G 05001>10000	8ZYL/4,7L/212KW
928 S (USA)(CDN)	M28.43	86 G	81G 00001>05000	8ZYL/4,7L/215KW
928 S M249 (USA)(CDN)	M28.44	86 G	81G 05001>10000	8ZYL/4,7L/215KW
928 S (J)	M28.44	86 G	81G 05001>10000	8ZYL/4,7L/215KW

Model: 928 83

Model life 1983>>1986

EXPL. TRANSM. NO.

EXPLANATION OF THE TRANSMISSION-NUMBERS USED IN THE CATALOGUE

=====

DIGIT: 1 2 3 4 5 6 7 8

EXAMPLE: 1 1 G 0 0 1 4 3

= = = =====

! ! ! !

TRANSMISSION TYPE-----+ ! ! !

! ! !

TRANSMISSION VERSION-----+ ! !

! !

MODEL YEAR-----+ !

! !

SERIAL NUMBER-----+ !

SHORT TRANSMISSION NO.===== > PORSCHE-TRANSMISSION-TYPE (3-SPEED)

=====

722 270 06 01 722 007 02 =A22.04

I_____I

V

SHORT TRANSMISSION NO. V

===== V

V

DIGIT: 1 2 3 4 V 5 6 7

EXAMPLE: A 0 2 3 2 1 9

= =====

! !

TRANSMISSION TYPE----+ !

! !

SERIAL NUMBER-----+ !

SHORT TRANSMISSION NO.===== > PORSCHE-TRANSMISSION-TYPE (4-SPEED)

=====

722 270 12 01 722 316 02 =A28.01

I_____I

V

SHORT TRANSMISSION NO. V

===== V

V

DIGIT: 1 2 3 4 5 6 7

EXAMPLE: A 5 4 7 6 2 8

= =====

! !

TRANSMISSION TYPE----+ !

! !

SERIAL NUMBER-----+ !

Model: 928 83

Model life 1983>>1986

SUMM. TRANSMISS

VEHICLE TYPE	TRANSM.		TRANSMISSION NO.	TECHNICAL DATA
	TYPE	MY		
928 S	G28.07	83	11D 0001>5000	5-SPEED
928 S M249	A22.04	83	16D 0001>5000	3-SPEED
928 S (USA) (CDN)	G28.08	83	11D 5001>9999	5-SPEED
928 S M249 (USA) (CDN)	A28.01	83	16D 5001>9999	4-SPEED
928 S (J)	A28.01	83	16D 5001>9999	4-SPEED
928 S	G28.07	84	11E 00001>05000	5-SPEED
928 S M249	A28.02	84	16E 05001>10000	4-SPEED
928 S M249	A28.03	84	16E 10001>11000	4-SPEED
928 S (USA) (CDN)	G28.08	84	11E 05001>10000	5-SPEED
928 S M249 (USA) (CDN)	A28.01	84	16E 00001>05000	4-SPEED
928 S (J)	A28.01	84	16E 00001>05000	4-SPEED
928 S	G28.10	85	11F 00001>05000	5-SPEED
928 S M249	A28.05	85	16F 05001>10000	4-SPEED
928 S M249	A28.06	85	16F 10001>11000	4-SPEED
928 S M298	G28.11	85	11F 05001>10000	5-SPEED
928 S M299	A28.04	85	16F 00001>05000	4-SPEED
928 S (USA) (CDN)	G28.11	85 F	11F 05001>10000	5-SPEED
928 S (USA) (CDN)	A28.04	85 F	16F 00001>05000	4-SPEED
928 S (J)	A28.04	85 F	16F 00001>05000	4-SPEED
928 S	G28.10	86 G	11G 00001>05000	5-SPEED
928 S M249	A28.08	86 G	16G 05001>10000	4-SPEED
928 S M298	G28.10	86 G	11G 00001>05000	5-SPEED
928 S M299	A28.11	86 G	16G 15001>20000	4-SPEED
928 S M251 (CH) (S) (AUS)	A28.09	86 G	16G 10001>11000	4-SPEED
928 S (USA) (CDN)	G28.11	86 G	11G 05001>10000	5-SPEED
928 S M249 (USA) (CDN)	A28.07	86 G	16G 00001>05000	4-SPEED
928 S (J)	A28.07	86 G	16G 00001>05000	4-SPEED
928 S (AUS)	A28.11	86 G	16G 15001>20000	4-SPEED

Model: 928 83

Model life 1983>>1986

LEGENDS/NOTICES

LEGENDS AND NOTICES

=====

IN COLUMN -S- STATUS

- N NEW ADDITION
- P PART ALREADY IN PROGRAMME, BUT NEW AT THIS APPLICATION
- W DELETED AT THIS APPLICATION, BUT CONTINUED TO BE CARRIED
- A STOCK TO BE USED UP
- U DELETED WITHOUT REPLACEMENT
- * PART ALSO OR ONLY AVAILABLE IN REPAIR KIT
- > ALSO AVAILABLE IN EXCHANGE

IN COLUMN - ILL. -

- 1 IDENTIFICATION NO. IN ILLUSTRATION
- (1) PART ONLY SIMILAR AS ILLUSTRATED
- PART IS NOT ILLUSTRATED

FIG.-NUMBERS FOR WHICH THERE IS SHOWN NO TEXT ARE NOT VALID FOR THIS EDITION OF CATALOGUE

IN COLUMN -PART NUMBER/CODE-

000 000 000 00 PART NUMBER EQUALS ORDERING NO., IF A CODE IS SHOWN, IT WILL HAVE TO BE PART OF ORDERING NUMBER

AC3 COLOUR CODE

IN COLUMN -TEXT

INSTALLATION WIRH ENGINE OR CHASSIS NUMBER-RANGE

EXAMPLE:

M 82G 01291 >> FROM ENGINE NO.

Model: 928 83**Model life 1983>>1986**

F >> 92 GS84 01291 UP TO VIN

Model: 928 83

Model life 1983>>1986

LEGENDS/NOTICES

IN COLUMN - A -

IDENTIFICATION LETTER FOR PERIOD OF INSTALLATION
THAT IS REPEATED SEVERAL TIMES IN THE CATALOG GROUP.

EXPLANATION PLEASE FIND IN TEXT COLUMN OF THE CATALOG GROUP

IN COLUMN - QU - = NO. OF PIECES

- 1 NUMBER PER APPLICATION
- X NUMBER AS NEEDED
- * AVAILABLE ONLY IN RUNNING LENGTHS 1 = 1 METRE

IN COLUMN - MODEL/SYMBOL -

- M650 OPTIONAL EQUIPMENT - SEE M-NO. LIST
- 86 LIMITATION OF MODEL YEAR FOR INSTANCE: VALID UP TO
END OF MODEL YEAR 1986
- /LL LHD
- /RL RHD
- +
- /V FRONT I
I
- /H REAR I
I----> APPLIES TO
- /L LEFT I DIRECTION OF TRAVEL
I
- /R RIGHT I
-----+
- AUT. AUTOMATIC
- WW THE PART CAN BE USED INSTEAD OF THE
PRECEDING ONE

Model: 928 83

Model life 1983>>1986

COUNTRY-EQIPM.

EQUIPMENT BY COUNTRY REGULATIONS

=====

(A)	AUSTRIA
(AUS)	AUSTRALIA
(B)	BELGIUM
(CDN)	CANADA
(CH)	SWITZERLAND
(D)	FEDERAL REPUBLIC OF GERMANY
(DK)	DENMARK
(E)	SPAIN
(F)	FRANCE
(GB)	GREAT BRITAIN
(GR)	GREECE
(HK)	HONGKONG
(I)	ITALY
(J)	JAPAN
(L)	LUXEMBURG
(N)	NORWAY
(NL)	NETHERLANDS
(NS)	NEW ZEALAND
(P)	PORTUGAL
(RC)	TAIWAN
(S)	SWEDEN
(SA)	SAUDI ARABIA
(SF)	FINLAND
(USA)	UNITED STATES OF AMERICA

Model: 928 83

Model life 1983>>1986

NR	Description
M000	+-----+ ! Summary of optional extras "M"! +-----+
M018	Sports steering wheel with elevated hub 30 mm
M020	Speedometer with two scales mph-km/h
M026	With activated charcoal canister
M027	Version for California
M034	Version for Italy
M058	Impact absorbers, front and rear
M061	Version for Great Britain
M062	Version for Sweden
M113	Version for Canada
M119	Version for Spain
M124	Version for France
M139	Seat heating system, left seat
M151	Engine with different parts
M157	Air injection, 3-way catalytic converter, oxygen sensor, L- Jetronic
M185	2-point seat belts, rear automatic
M187	Headlamps with sealed-beam insert "asymmetric"
M190	Increased side door strength
M193	Version for Japan
M208	Trailer coupling
M215	Version for Saudi Arabia
M220	Locking differential 40 %
M240	Version for countries having inferior fuel qualities
M249	Automatic transmission
M251	Automatic transmission shorter gear ratio 33/13
M261	Door mirror - flat - passenger's side, electrically adjustable and heatable
M277	Version for Switzerland
M298	Preparation for unleaded fuel manual transmission
M299	Preparation for unleaded fuel automatic transmission
M317	Equipment for countries with dust-laden air
M319	Changed step-up of fan
M335	Automatic seat belt, 3-point, rear

Model: 928 83

Model life 1983>>1986

NR	Description
M340	Seat heating system, right seat
M347	Forged wheels platinum-anodized rim 7 x 16 tire 225/50 VR 16
M383	Sports seat, left, electrically vertically adjustable
M387	Sports seat, right, electrically vertically adjustable
M395	Forged wheels, silver colored anodized, rim 7J x 16 tyres 225/50 VR 16
M401	Wheel - cast aluminium alloy telephone design, rim 7 x 16 tire 225/50 VR 16
M406	Wheel housing liner, front left and right
M409	Sports seats
M415	Widening of the track on the rear axle
M417	Rear package box
M418	Side protection moldings
M430	Front fog lights, yellow
M437	Comfort seat, left, electrically adjustable
M438	Comfort seat, right, electrically adjustable
M454	Automatic speed control
M460	Additional in-tank pump
M462	"Securiflex" windscreen
M463	Clear windscreen
M466	2nd rear fog lamp
M467	Door mirror for driver's side, convex, electrically heatable and adjustable
M468	Side windows green and windscreen green - upper part darker colored
M470	Without front spoiler and rear spoiler
M474	Shock absorber (sporting), front and rear
M479	Version for Australia
M481	Manual transmission
M484	Symbols and lettering for switches and instruments
M489	Switches and insignias in German language
M490	Sound package
M492	Headlamps for left-hand traffic
M494	Additional amplifier
M499	Sekuriflex

Model: 928 83

Model life 1983>>1986

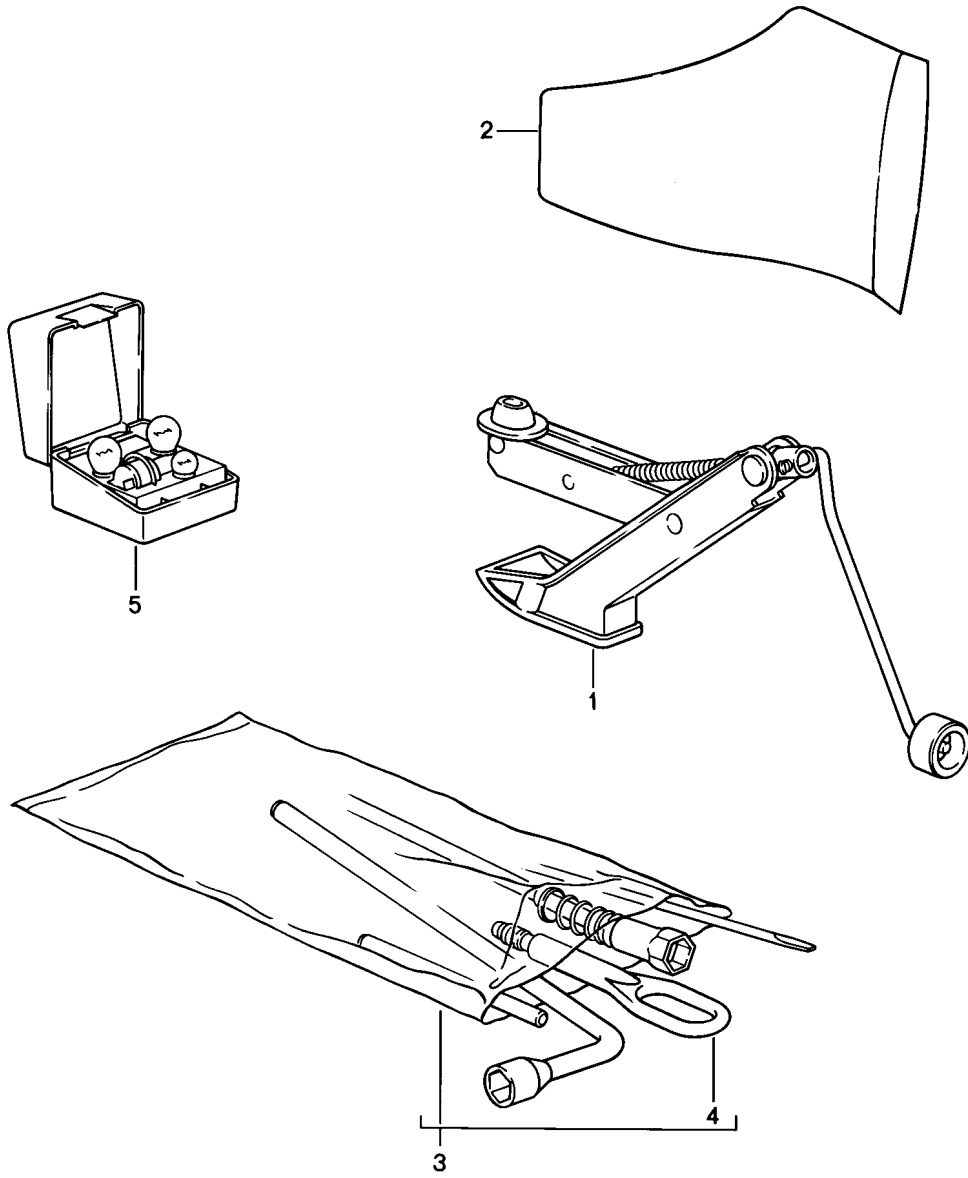
NR	Description
	windscreen
M525	Anti-theft device with continuous sound
M528	Door mirror for passenger's side - convex - electrically heatable and adjustable
M533	Anti-theft device
M553	Version for USA, Canada
M567	Windscreen tinted, upper part darker coloured
M570	Air conditioner with improved efficiency
M576	Without rear fog lamp
M593	Anti-lock brake system (Bosch)
M650	Electrical sliding roof
M900	Tourist's cars
M981	Leather equipment
M985	Parts having a luster of silver
M986	Partial leather equipment

Model: 928 83

Model life 1983>>1986

Model: 928 83

Model life 1983>>1986



Model: 928 83

Model life 1983>>1986

Pos	Part Number	Description	Remark	Qty	Model
		Tool			
1	928 721 011 03	Jack		1	
1	000 721 711 00	Jack		1	
1	000 721 711 02	Jack		1	
1	000 721 710 01	Jack		1	
1	000 721 710 03	Jack		1	
2	928 551 093 02	Bag		1	
		Jack			
3	928 721 005 05	Tool	-84	1	
-		Set		.	
(3)	928 721 005 06	Tool	85-	1	
-		Set		.	
-	928 721 012 02	Spark plug wrench		1	
-	999 571 045 02	Rim wrench		1	
-	999 195 011 02	Double-end spanner 8 X 9		1	
-	999 195 012 02	Double-end spanner 10 X 11		1	
-	999 195 013 02	Double-end spanner 12 X 13		1	
-		Double-end spanner 14 X 15			
-	999 195 015 02	Double-end spanner 17 X 19		1	
4	928 722 101 03	Towing lug - 15 X 1/8 " -		1	
4	928 722 101 05	Towing lug - 20 X 1/8 " -		X	
(5)	928 722 103 03	Box with bulbs		1	
-	928 701 016 02	Support Number plate Set		2	

Model: 928 83

Model life 1983>>1986



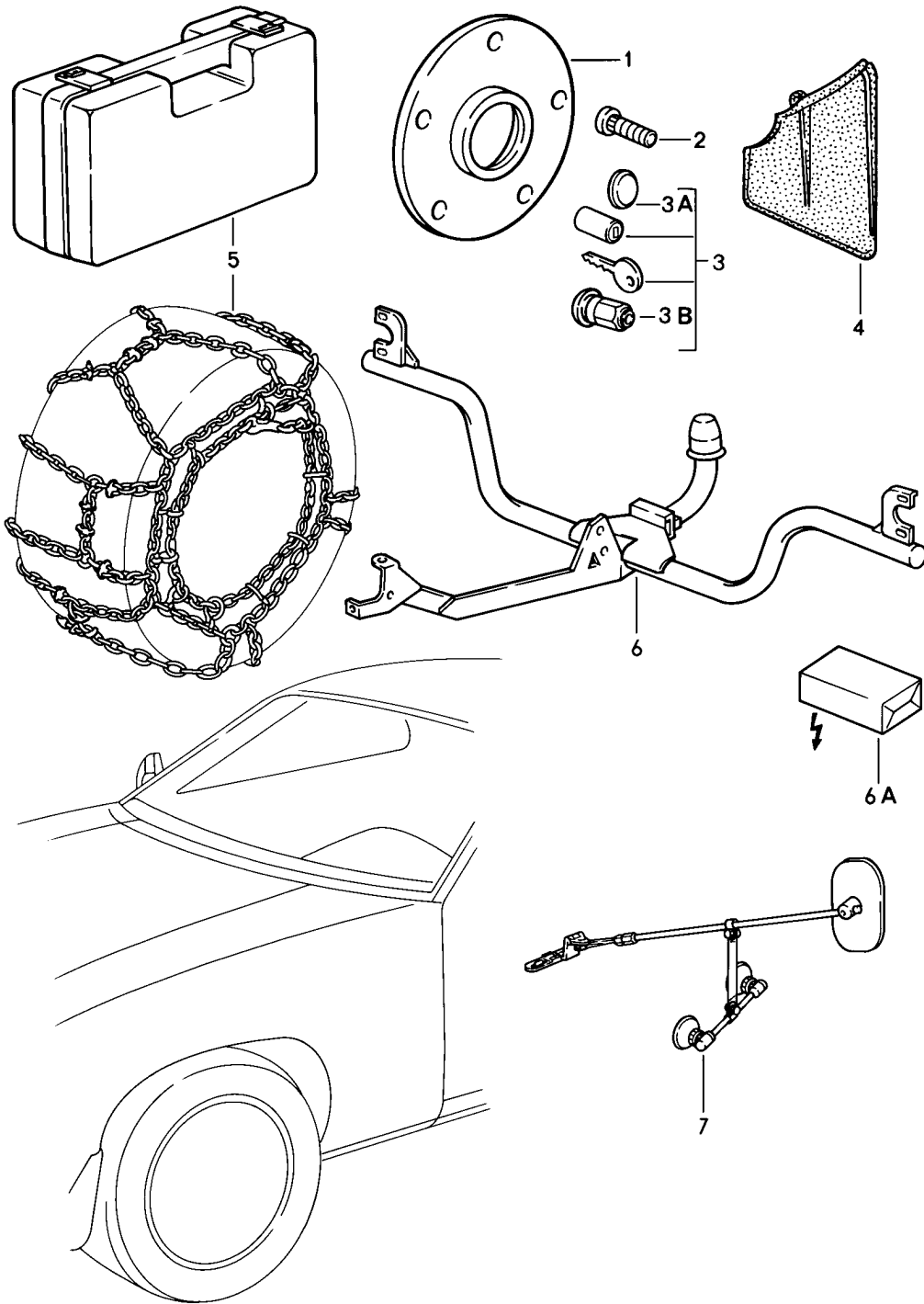
Model: 928 83

Model life 1983>>1986

Pos	Part Number	Description	Remark	Qty	Model
-	928 006 101 33	Stickers Sticker	-83	1	(CAL)
-	928 006 101 37	Engine specifications Sticker	84-	1	(CAL)
-	928 006 101 34	Engine specifications Sticker	(AUS) -83	1	
-	928 006 101 35	Engine specifications Sticker	(CDN) (USA)	1	
-	928 006 102 05	Engine specifications Sticker		1	(CAL)
-	928 006 109 00	Exhaust gas Sticker		1	
-	477 000 267	Toothed belt Sticker	(USA)	1	
-	477 000 258	Catalytic converter Sticker	(USA)	1	(CAL)
-	928 701 169 02	Unleaded Sticker	(CDN)	1	
-	928 701 171 02	Instrument cluster Sticker	(CDN)	1	
-	928 006 508 00	Unleaded Side window Sticker	(USA) -84	1	
-	928 006 509 01	Tyre pressure Sticker	(USA) 85-	1	
-	928 701 157 03	Tyre pressure Sticker		1	
-	911 701 137 02	Emergency wheel Sticker		1	
-	911 701 137 04	Emergency wheel Sticker		1	
-	928 006 901 00	Emergency wheel Sticker		1	
-	964 701 163 00	Trailer coupling Sticker		1	
-	911 006 541 00	High voltage Sticker	-83	1	
-		Brake fluid			

Model: 928 83

Model life 1983>>1986



Model: 928 83

Model life 1983>>1986

Pos	Part Number	Description	Remark	Qty	Model
		Accessories Widening of track for Rear axle See technical information Group 928 X 5			
1	477 501 701	Spacer ring 21 MM		2	
2	901 331 671 01	Wheel bolt		10	
3	928 361 047 03	Wheel nut 1 set Lockable		1	
3	965 361 955 00	Wheel nut 1 set Lockable		1	
3	968 361 955 00	Wheel nut 1 set Lockable		1	
3	993 361 057 00	Wheel nut 1 set Lockable		1	
3A	965 361 167 00	Cap		X	
3B	928 361 306 01	Wheel nut Lockable without lock		4	
4	928 559 901 02	Mud flap Set Comprising:		1	
-	928 559 383 02	Mud flap	/L	1	
-	928 559 384 02	Mud flap	/R	1	
-	928 559 385 02	Desk pad		2	
-	N 010 264 4	Hexagon-head bolt M 5 X 20		2	
-	900 910 008 02	Lock nut M 5		3	
-	928 559 386 02	Bracket		1	
-	928 559 389 02	Clamp		5	
5	911 361 909 00	Snow chains Snow chains 1 set for Tyre 185/70 R 15 215/60 R 15 205/55 R 16		1	
5		Snow chains for Tyre 225/50 R 16		1	
6	928 722 031 02	Trailer coupling		1	
6A	928 612 905 00	Electric installation set Trailer coupling	-84	1	
6A	928 612 905 01	Electric installation set Trailer coupling	85-	1	
7	928 731 051 02	Outside mirror for caravan	/L	1	
(7)	928 731 052 02	Outside mirror for caravan	/R	1	
-	911 361 510 03	Small electric compressor Small compressor		1	
-	911 722 202 00	Tyre pressure gauge Porsche Classic mit Lederhülle		1	

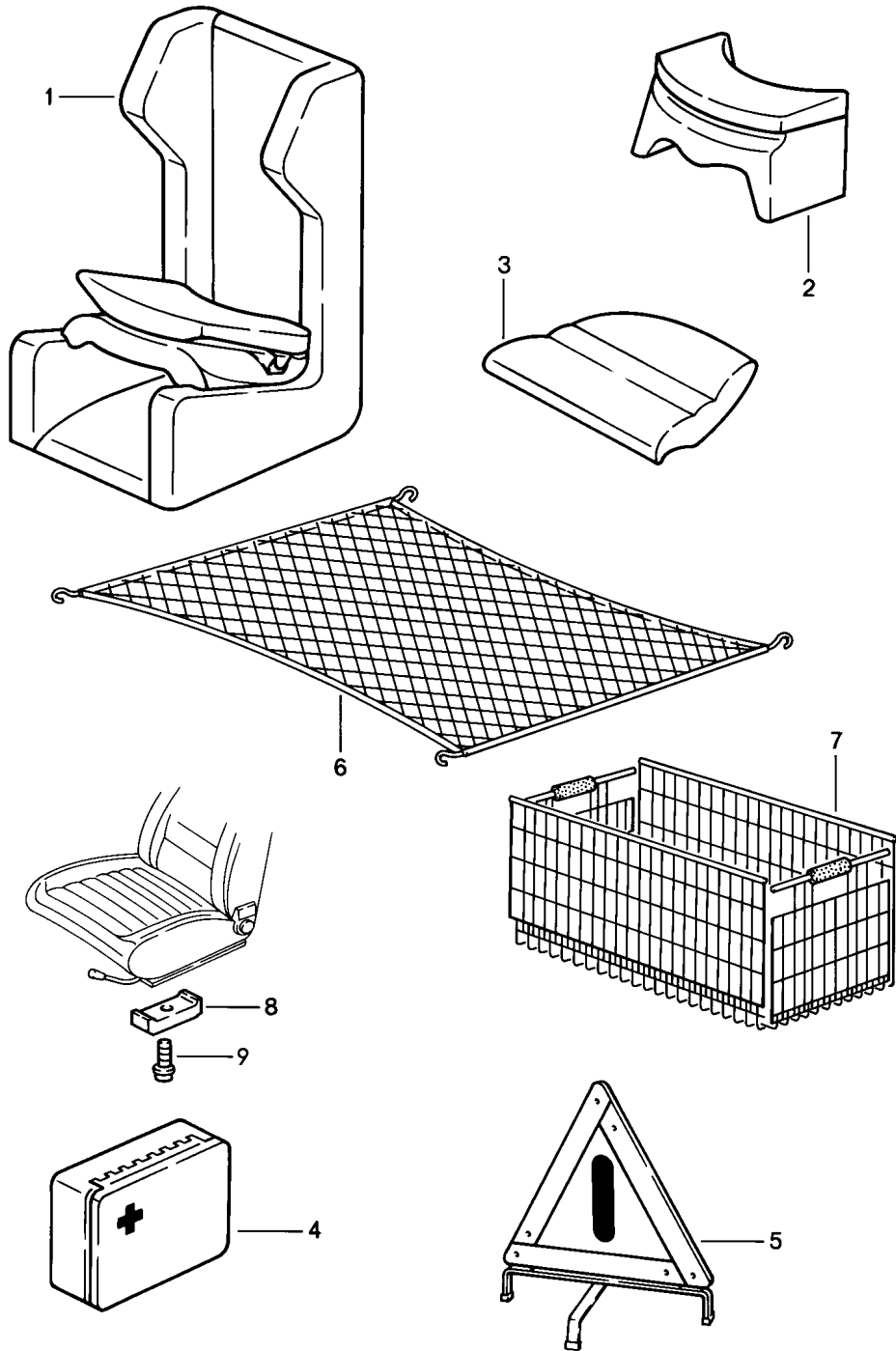
Model: 928 83

Model life 1983>>1986

Pos	Part Number	Description	Remark	Qty	Model
		Vertical pedal adjustment See group 7/02/00 7/02/05 Floor mat See group 8/07/05			

Model: 928 83

Model life 1983>>1986

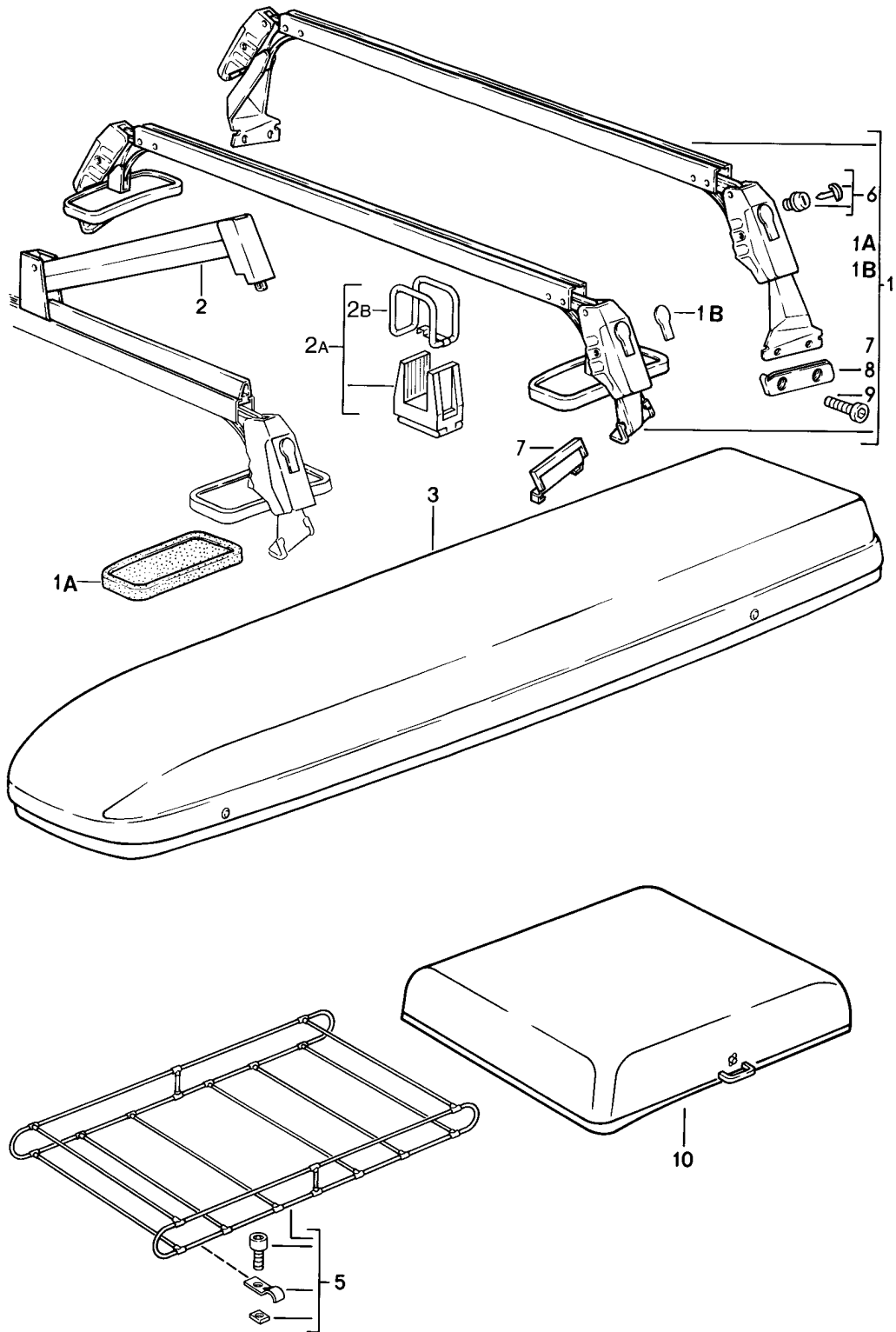


Model: 928 83 Model life 1983>>1986

Pos	Part Number	Description	Remark	Qty	Model
3	928 522 159 02	Accessories Child car seat cushion	/L	1	
(3)	928 522 160 02	Child car seat cushion	/R	1	
	928 522 160 02 4CR	Black Logo Porsche			
6	928 555 631 02	Luggage net		1	
7	000 043 002 00	Car basket Foldable Vertical seat adjustment		X	
8	911 521 493 00	Spacer 13 MM	-84	X	
9	900 067 089 02	Pan-head screw M 6 X 25 Elevation 13 MM	-84	X	
9	900 067 089 01	Pan-head screw M 6 X 25 Elevation 13 MM		X	
(9)	N 014 749 2	Pan-head screw M 6 X 40 Elevation 26 MM		X	

Model: 928 83

Model life 1983>>1986



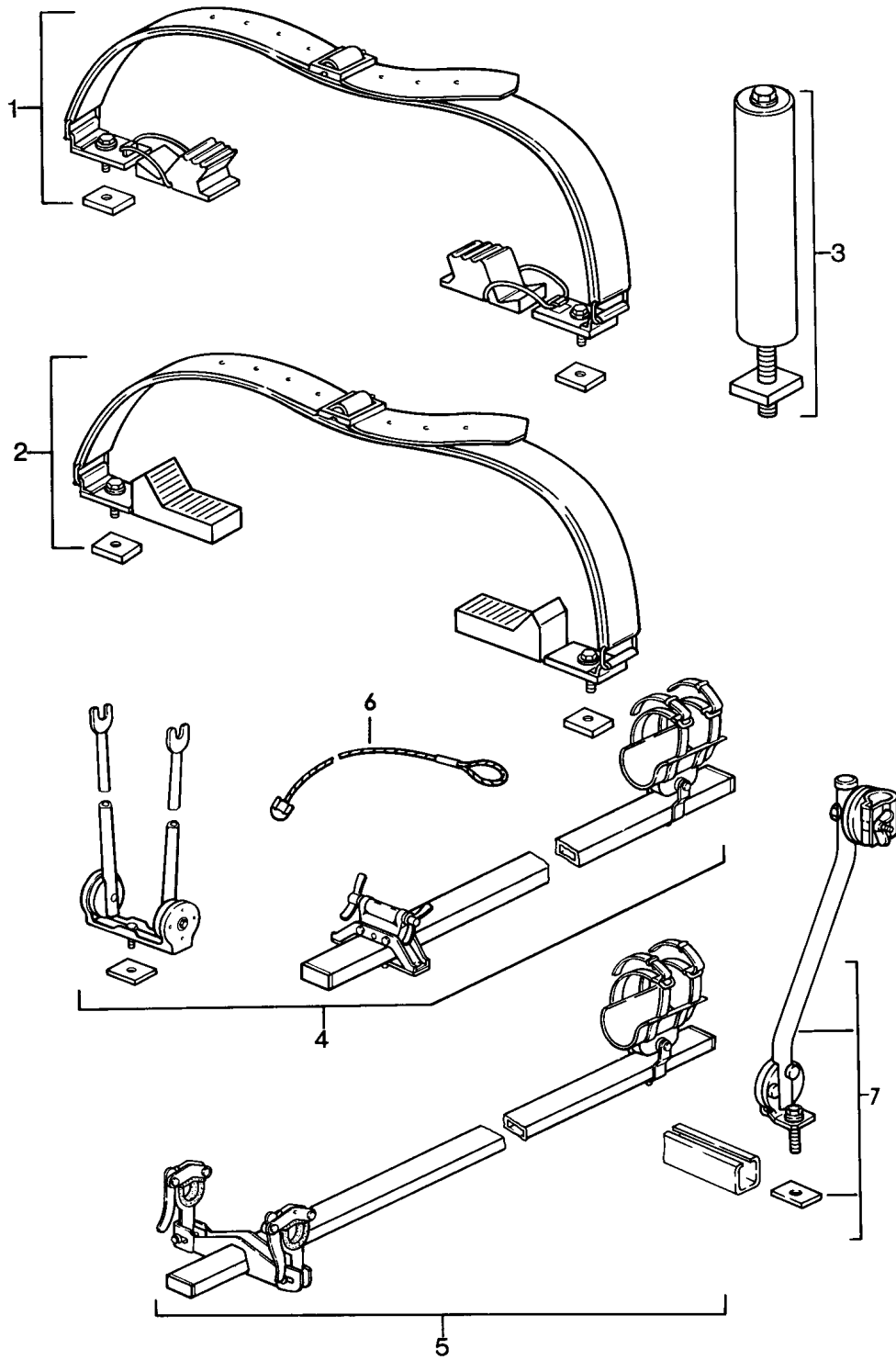
Model: 928 83

Model life 1983>>1986

Pos	Part Number	Description	Remark	Qty	Model
1	928 801 055 02	Roof transport system		1	
		Set of main supports			
1A	928 801 267 02	Rubber plate		2	
1B	928 801 111 02	Protection cap		4	
		Lock			
2	928 801 061 02	Clamping bow		1	
		Set			
		Pieces		4	
2A	928 801 903 02	Rubber support for skis		1	
		Pieces		2	
2B	928 801 193 02	Retaining strap		1	
		Pieces		2	
3	928 801 063 02	Ski box	/L	1	
(3)	928 801 064 02	Ski box	/R	1	
5	928 801 081 02	Roof luggage rack set		1	
		Set			
6	928 801 011 02	Cylinder lock		4	
		Spring clamp		1	
		Key		2	
		State lock number			
7	928 801 271 02	Protective rubber		2	
8	928 801 167 02	Protective rubber		2	
9	900 119 072 00	Pan-head screw		4	
		M 8 X 18			
10	928 801 073 02	Box for suitcase		1	

Model: 928 83

Model life 1983>>1986



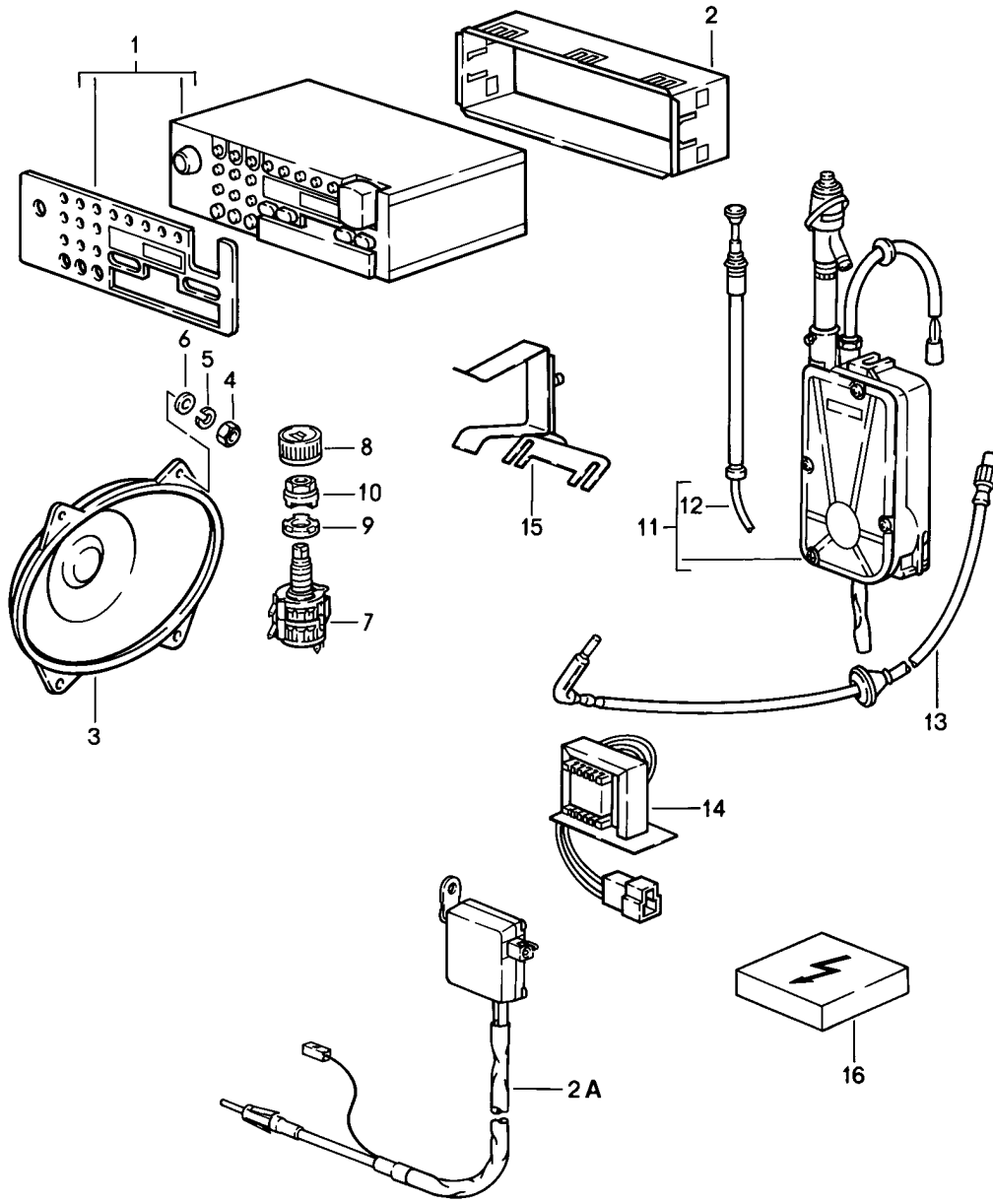
Model: 928 83

Model life 1983>>1986

Pos	Part Number	Description	Remark	Qty	Model
1	928 801 019 02	Roof transport system		1	
2	928 801 017 02	Set of surf board supports		1	
3	928 801 085 02	Set - canoe carrier		1	
		Ladder support mandrel		1	
		Set			
		Pieces		4	
4	928 801 093 02	Set - bike carrier		1	
		Racing bike			
5	928 801 095 02	Set - bike carrier		1	
		Standard bike			
6	928 801 079 02	Safety rope		1	
		Anti-theft protection			
7	928 801 097 02	Support for bicycle		1	

Model: 928 83

Model life 1983>>1986

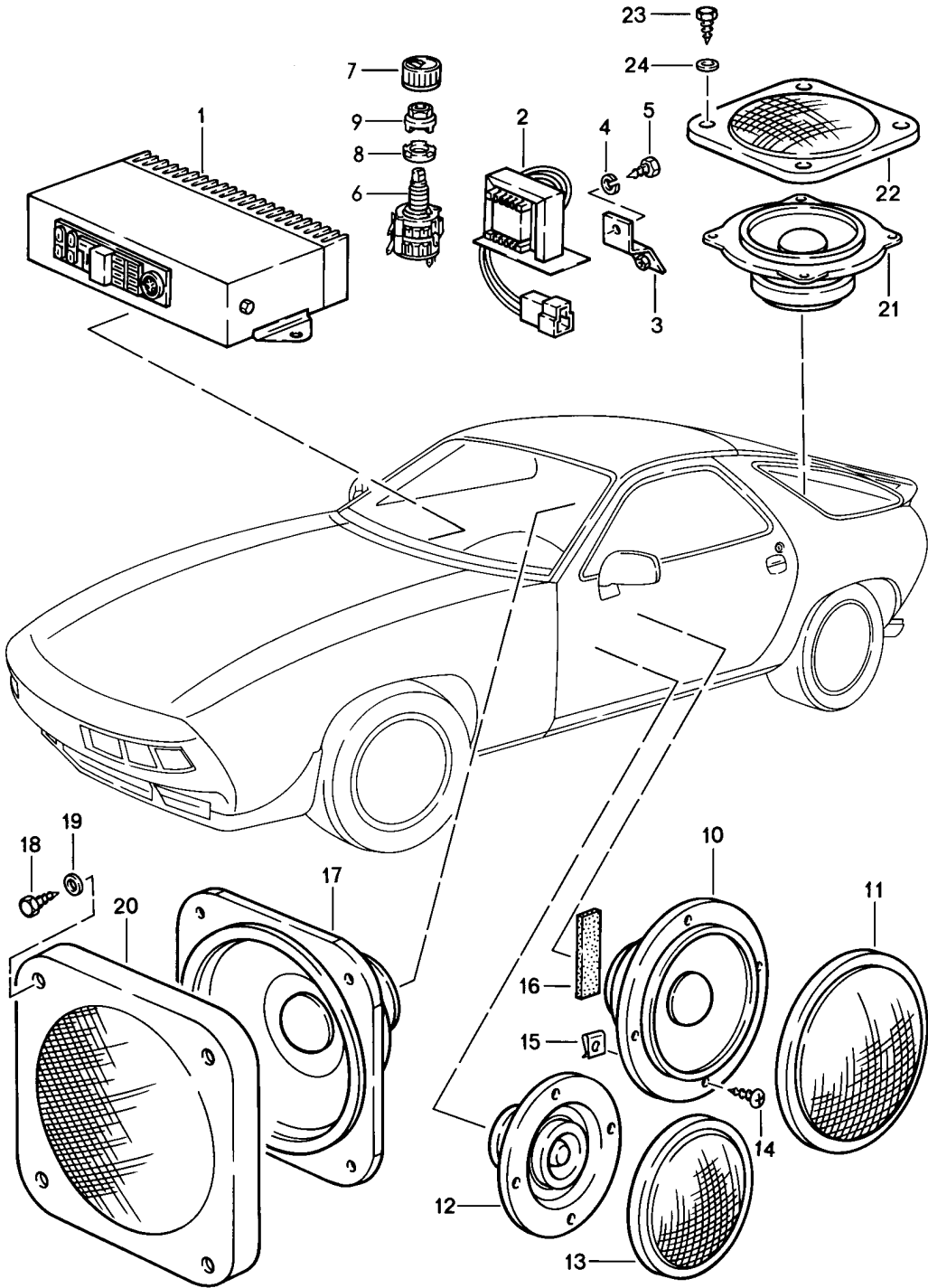


Model: 928 83 Model life 1983>>1986

Pos	Part Number	Description	Remark	Qty	Model
(1)	911 645 160 01	Radio Installation parts	-83	1	
(1)		Radio MONTEREY	84-	1	
(1)	911 645 139 00	Radio ATLANTA SQR 23	84-	1	
-	911 645 160 01	Radio MONTEREY SQR 23	86-	1	
-	911 645 158 00	Radio BOSTON SQM 23 W/o motorist radio information	86-	1	
2	911 645 173 02	Retaining frame		1	
2A	928 645 173 02	Antenna booster	85-	1	
2A	964 645 173 01	Antenna booster	85-	1	
-	941 645 183 00	Extension cable	85-	1	
3	928 645 402 00	Loudspeaker Front 4 OHM 15 WATT		2	
(3)	928 645 403 00	Loudspeaker Rear 4 OHM 25 WATT		2	
4	N 011 004 6	Hexagon nut M 4		16	
4	N 011 004 G	Nut M 4		16	
5	900 027 011 01	Lock ring B 4		16	
6	900 151 001 02	Washer A 4,3		16	
7	928 645 153 00	Fader		1	
(7)		Fader		1	
8	928 645 154 01	Rotary knob		1	
9	928 645 161 00	Rosette		1	
10	911 645 130 00	Nut		1	
11	928 645 035 03	Automatic antenna		1	
12	477 035 513	Antenna rod 928 645 035 01	-84	1	
11	928 645 035 03	Automatic antenna	-84	1	
12	944 645 913 00	Antenna rod 928 645 035 03		1	
13	928 645 031 00	Cable		1	
-	928 645 901 01	Suppression set		1	
14	999 619 138 00	Interference-suppr. choke		1	
15	928 645 011 01	Retaining bracket		1	
16	928 645 901 01	Suppression set		1	

Model: 928 83

Model life 1983>>1986



Model: 928 83 Model life 1983>>1986

Pos	Part Number	Description	Remark	Qty	Model
		Amplifier			
		Loudspeaker			
1	928 645 405 01	Amplifier		1	
2	999 619 140 00	Battery interference choke		1	
3	928 645 077 01	Support		1	
4	N 012 222 4	Spring washer		2	
		B 5			
5	N 013 968 7	Tapping screw		2	
		4,8 X 13			
5	900 143 097 01	Tapping screw		2	
		4,8 X 13			
6	928 645 153 02	Fader		1	
7	928 645 154 01	Rotary knob		1	
8	928 645 161 00	Rosette		1	
9	911 645 130 00	Nut		1	
10	928 645 428 00	Mid-range loudspeaker		2	
11	928 645 430 00	Grille		2	
12	928 645 427 00	Tweeter		2	
		Heating nozzles			
13	928 645 429 00	Grille		2	
14	900 143 047 07	Tapping screw		16	
		B 4,2 X 19			
14	900 073 007 01	Tapping screw		16	
		B 4,2 X 19			
15	999 591 583 02	Speed nut		16	
16	928 612 494 00	Foam part		2	
17	928 645 411 02	Bass loudspeaker		2	
18	900 143 135 07	Tapping screw		8	
		B 4,2 X 45			
19	900 025 049 07	Washer		8	
		A 4,3			
20	928 645 425 00	Cover	/L	1	
(20)	928 645 426 00	Cover	/R	1	
21	928 645 413 00	Mid-range loudspeaker		2	
		MID-RANGE speaker			
22	928 645 423 00	Loudspeaker grille		2	
23	900 143 121 07	Tapping screw		8	
		B 4,2 X 16			
23	900 143 121 0H	Tapping screw		8	
		B 4,2 X 16			
24	900 025 049 07	Washer		8	
		A 4,3			
		Wiring harness			
		Loudspeaker			
		See group			
		9/02/15			

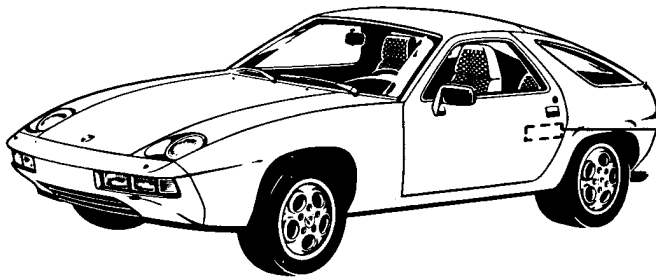
Model: 928 83

Model life 1983>>1986

FARBNUMMER
COLOUR NUMBER
NUMERO DE COULEUR
NUMERO COLORE
NUMERO DE COLOR

80K 9 2
GUARDS RED
INDISCHROT
G1

FARB BENENNUNG
COLOUR
COULEUR
COLORE
COLOR



Model: 928 83

Model life 1983>>1986

Pos	Part Number	Description	Remark	Qty	Model
-	911 096 050 00	Lacquers Basic materials Polyester filler 1 KG. GLASSIT-NON-FERRO 839-10		X	
-	911 096 051 00	Hardener 30 GR. GLASSIT 948-36 Red		X	
-	911 096 052 00	Primer filler 1 LTR. GLASSOFIX 238-150		X	
-	911 096 053 00	Hardener 500 ML. GLASSOFIX 352-228		X	
-	911 096 054 00	Primer filler 1 LTR. GLASSODUR 285-100 White		X	
-	911 096 055 00	Hardener 500 ML. GLASSODUR 929-28/1		X	
-	911 096 056 00	Wash primer 2 LTR. GLASSOFIX 2K 934-200		X	
-	911 096 057 00	Hardener 1 LTR. GLASSOFIX 934-100		X	
-	911 096 058 00	Polyurethane plastic putty 1 KG. GLASSODUR 995-20		X	
-	911 096 059 00	Hardener 1 KG. GLASSODUR 929-13		X	
-	911 096 060 00	Thinner 1 KG. GLASSODUR 352-91		X	
-	911 096 062 00	Additional lacquer 1 LTR. GLASSODUR 521-111		X	
-	911 096 063 00	Underbody protection 1 KG. GLASSOHYD 1109-		X	
-	000 043 001 00	Tin SN 90% Pieces		X 2	
-	911 095 903 80	Synthetic resin prime coat Metallic 1 LTR.		X	
	911 095 903 80 492	Nutmeg brown metallic			492
	911 095 903 80 822	Garnet red metallic			822
	911 095 903 80 33N	Crystal green metallic			33N
	911 095 903 80 33P	Iris blue metallic			33P
	911 095 903 80 33X	Prussian blue metallic			33X
	911 095 903 80 539	White gold metallic			539
	911 095 903 80 936	Silver metallic			936
	911 095 903 80 961	Meteor metallic			961
	911 095 903 80 20C	Moss green metallic			20C
	911 095 903 80 655	Platinum-metallic			655
	911 095 903 80 661	Slate grey metallic			661
	911 095 903 80 662	Smoked quartz			662
	911 095 903 80 810	Ruby red metallic			810
	911 095 903 80 811	Brick red			811

Model: 928 83 Model life 1983>>1986

Pos	Part Number	Description	Remark	Qty	Model
	911 095 903 80 956	Zinc metallic			965
	911 095 903 80 966	Light bronze metallic			966
-	911 096 064 00	Clear lacquer 1LTR. GLASSODUR-MS 923-85		X	
-	911 095 902 60	Top-coat paint 2K ACRYL 1 LTR.		X	
	911 095 902 60 347	Dark blue			347
	911 095 902 60 673	Marble grey			673
	911 095 902 60 536	Pastel beige			536
	911 095 902 60 027	Guards red			027
	911 095 902 60 182	White			182
	911 095 902 60 32Z	Glacier blue metallic			32Z
	911 095 902 60 700	Black			700
	911 095 902 60 908	Grand prix white			908
-	911 095 932 20	Paint touch-up applicator		X	
	911 095 932 20 027	Guards red			027
	911 095 932 20 182	White			182
	911 095 932 20 700	Black			700
	911 095 932 20 908	Grand prix white			908
	911 095 932 20 536	Pastel beige			536
	911 095 932 20 673	Marble grey			673
	911 095 932 20 347	Dark blue			347
-	911 095 933 20	Paint touch-up applicator 1 set Comprising: Top-coat paint And Clear lacquer		X	
	911 095 933 20 655	Platinum-metallic			655
	911 095 933 20 661	Slate grey metallic			661
	911 095 933 20 936	Silver metallic			936
	911 095 933 20 539	White gold metallic			539
	911 095 933 20 492	Nutmeg brown metallic			492
	911 095 933 20 822	Garnet red metallic			822
	911 095 933 20 33P	Iris blue metallic			33P
	911 095 933 20 33X	Prussian blue metallic			33X
	911 095 933 20 33N	Crystal green metallic			33N
	911 095 933 20 20C	Moss green metallic			20C
	911 095 933 20 961	Meteor metallic			961
	911 095 933 20 662	Smoked quartz			662
	911 095 933 20 810	Ruby red metallic			810
	911 095 933 20 811	Brick red			811
	911 095 933 20 956	Zinc metallic			956
	911 095 933 20 966	Light bronze metallic			966

Model: 928 83

Model life 1983>>1986



Model: 928 83 Model life 1983>>1986

Pos	Part Number	Description	Remark	Qty	Model
-	999 571 062 00	Preservative agent Sealing compound Securing liquid Preservative agent Care kit Comprising: Suitcase		1	
-	999 901 013 40	Liquid preservative		X	
-	999 901 014 41	Car shampoo		X	
-	999 901 015 40	Polisher		X	
-	999 901 016 40	Tar remover		X	
-	999 901 017 40	Dashboard cleaner		X	
-	999 901 018 40	Paint polish		X	
-	999 901 019 41	Insect remover		X	
-	999 901 020 40	Spot remover		X	
-	999 901 021 40	Polishing cotton		X	
-	999 901 022 40	Polishing cloth		X	
-	000 044 000 02	Leather care 250 CCM		X	
-	999 917 803 00	Window cleaner		X	
-	928 628 931 00	Silicone remover		X	
-	000 044 000 93	Silicone remover		X	
-	000 043 010 00	Sealing compound Loctite -574- Surface sealing 50 CCM Securing liquid		X	
-	928 101 921 00	Loctite -270- 10 CCM High strength		X	
-	000 043 012 00	Loctite -221- Low strength 10 CCM		X	
-	000 043 306 48	Loctite -221- Low strength 10 CCM		X	

Model: 928 83

Model life 1983>>1986

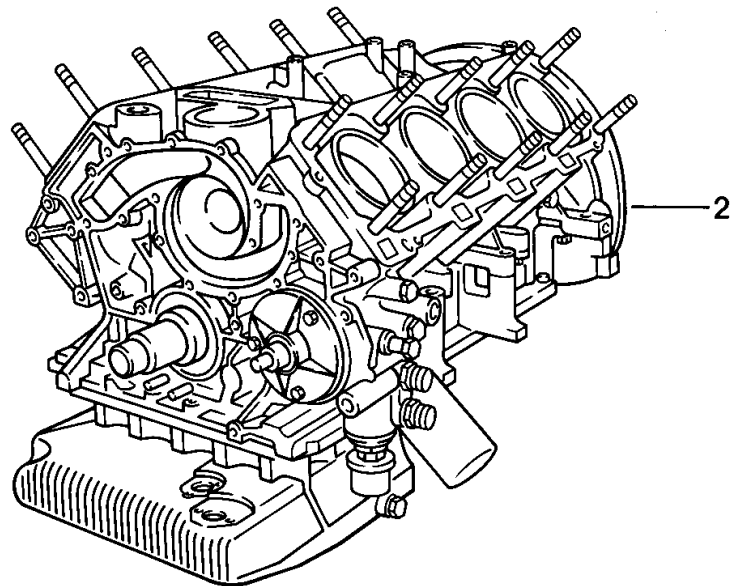
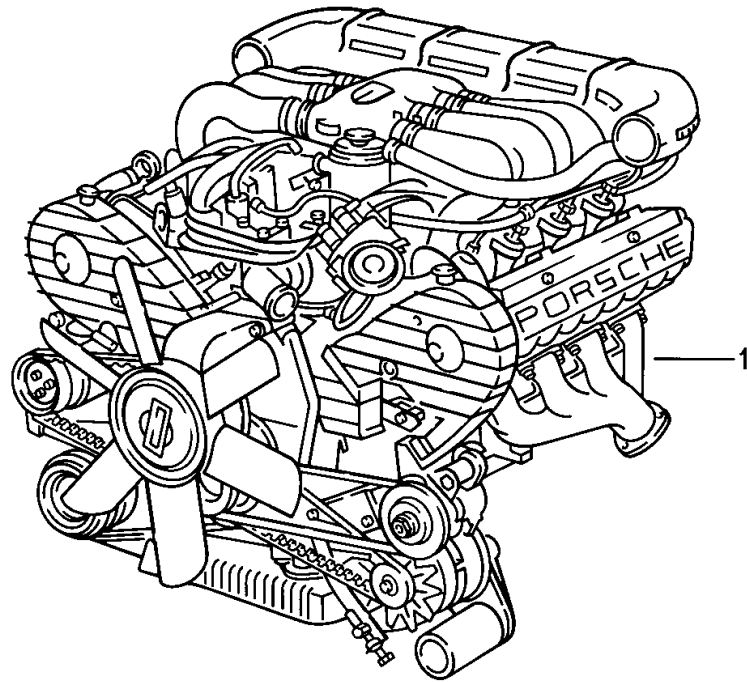


Model: 928 83 Model life 1983>>1986

Pos	Part Number	Description	Remark	Qty	Model
-	000 043 051 00	Adhesive Lubricants Adhesive Adhesive set -LOCTITE- for pasting Metal Glass Ceramics Loctite -312-		X	
-	000 043 202 65	50 CCM Loctite - AKTIVATOR NF 736 -		X	
-	000 043 013 00	180 CCM Loctite -80646-		X	
-	911 096 240 25	311 GR. Polyurethane adhesive Adhesive 500 GR. Hardener 500 GR.		X	
-	000 043 004 00	Lubricants Mounting paste Optimoly ht 90 GR.		X	
-	000 043 020 00	Optimoly - TA - Mounting paste		X	
-	000 043 005 00	Grease Optimoly 90 GR.		X	
-	000 043 024 00	Extreme-pressure grease -OPTIMOL OLISTA- LONGTIME 3EP Extreme-pressure grease 80 GR.		X	
-	000 043 204 21	Grease for lock cylinder Spraying can		X	
-	G 052 778 A2	Grease for lock cylinder Spraying can		X	

Model: 928 83

Model life 1983>>1986



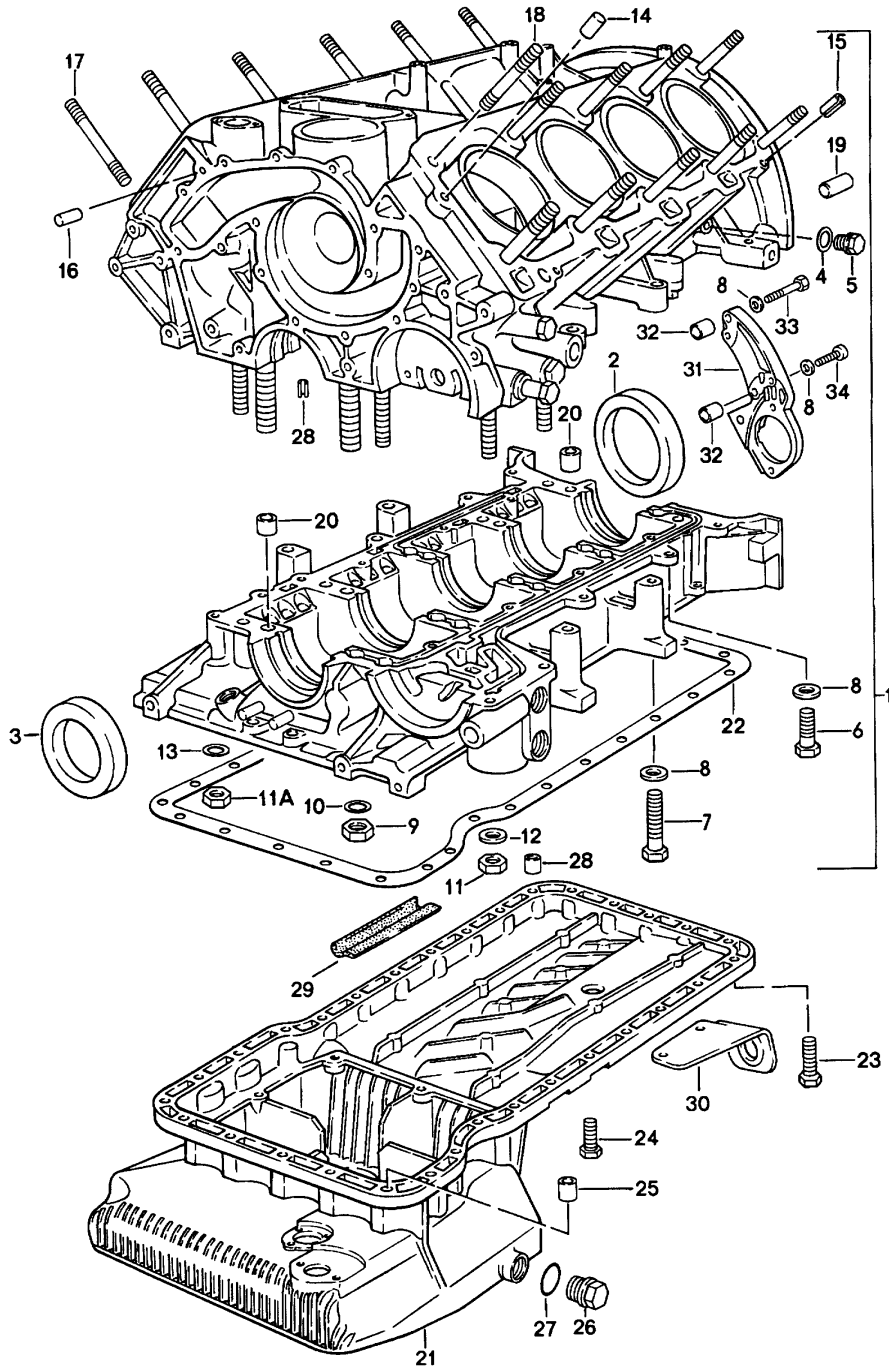
Model: 928 83

Model life 1983>>1986

Pos	Part Number	Description	Remark	Qty	Model
(1)	928 100 911 05	Replacement engine			
		Short engine	-83	1	M28.19
(1)		Short engine	AUT. -83	1	M28.20
(1)	928 100 911 08	Short engine	85-	1	M28.43
		Short engine with Crankshaft Piston Oil pump Oil pan			
(2)	928 100 911 05	Short engine	-84	1	M28.19/20
(2)	928 100 911 08	Short engine	85-	1	M28.43/44

Model: 928 83

Model life 1983>>1986



Model: 928 83

Model life 1983>>1986

Pos	Part Number	Description	Remark	Qty	Model
1	928 101 908 02	Crankcase	-84	1	M28.19/20
1	928 101 908 03	Crankcase with pistons	85-	1	M28.43/44
2	999 113 264 40	Radial sealing ring 90 X 110 X 12		1	
2	999 113 461 40	Radial sealing ring 90 X 110 X 12		1	
2	999 113 426 40	Radial sealing ring 90 X 110 X 12		1	
2	999 113 426 41	Radial sealing ring 90 X 110 X 12		1	
3	999 113 263 40	Shaft sealing ring 60 X 85 X 10		1	
4	900 123 055 30	Sealing ring A 12 X 17		2	
5	N 029 703 1	Screw plug M 12 X 1,5		2	
6	900 075 099 02	Hexagon-head bolt M 8 X 30		6	
6	900 075 099 03	Hexagon-head bolt M 8 X 30		6	
7	N 010 361 4	Hexagon-head bolt M 8 X 65		10	
7	N 010 361 13	Hexagon-head bolt M 8 X 65		10	
8	900 025 007 02	Washer A 8,4		24	
8	900 025 007 03	Washer A 8,4		24	
9	928 101 742 00	Hexagon nut M 12 X 1,5		10	
10	928 101 301 02	Washer		10	
11	N 011 010 13	Hexagon nut M 10		22	
11A	928 101 741 00	Hexagon nut M 10		10	
12	900 025 008 09	Washer A 10,5		2	
12	900 025 008 04	Washer A 10,5		2	
13	928 101 303 00	Washer		10	
14	999 012 034 00	Straight pin 8 X 12	-83	4	
14		Straight pin 8 M 6 X 12	84-	4	
15	900 095 072 01	Tensioning sleeve 6 X 12		2	
16	N 013 199 1	Straight pin 6 X 12		2	
17	928 101 187 06	Stud 193 MM		18	
18	928 101 186 04	Stud 142 MM		2	
19	900 012 070 00	Straight pin 12 X 18		2	
20	928 101 195 03	Fitting bushing		1	
21	928 101 208 00	Oil pan		1	
(21)		Oil pan		1	
22	928 101 207 00	Oil sump gasket		1	
23	900 075 347 02	Combination screw M 6 X 28 Z1		25	

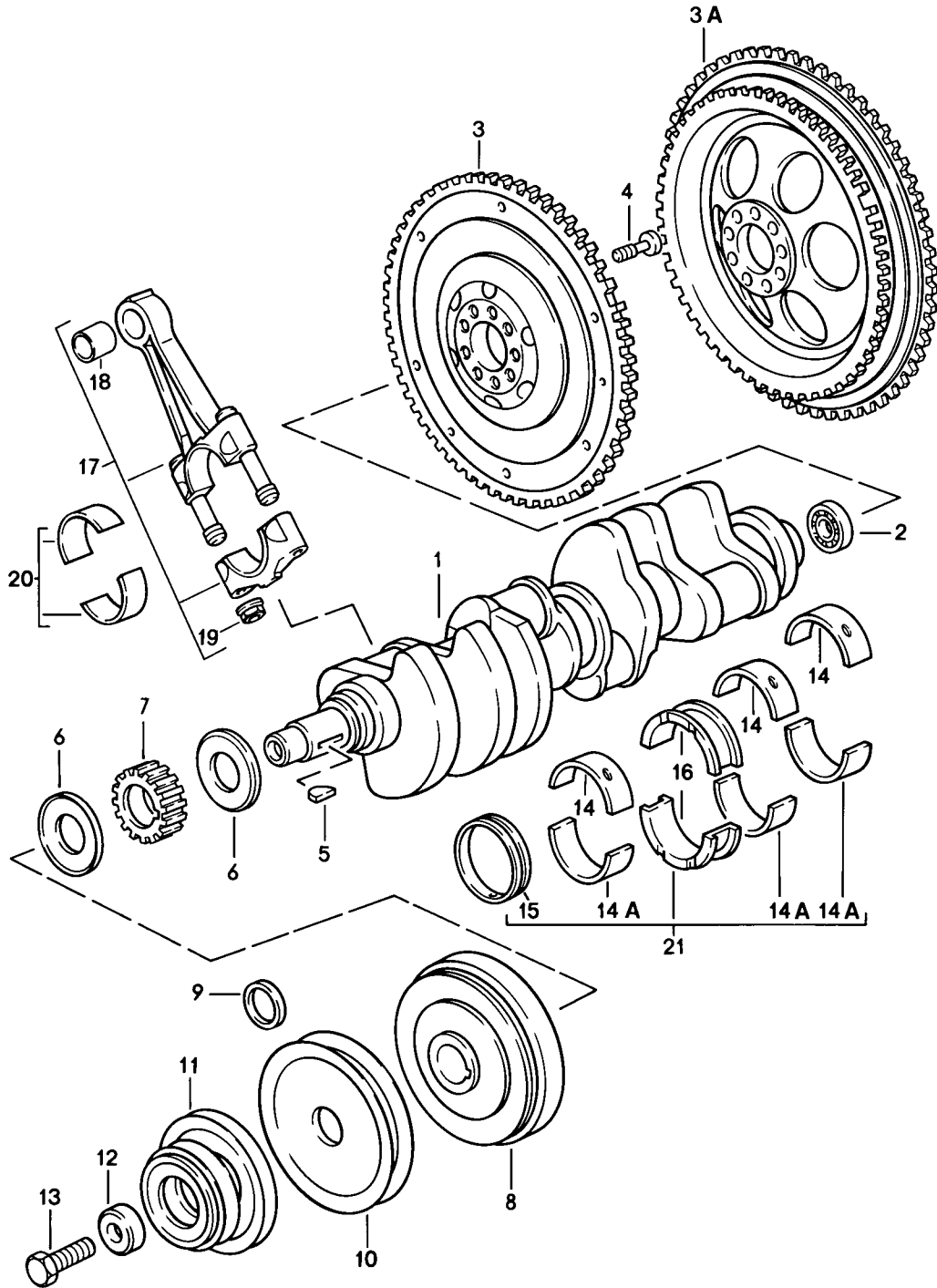
Model: 928 83

Model life 1983>>1986

Pos	Part Number	Description	Remark	Qty	Model
24	900 075 341 02	Combination screw M 6 X 25 Z1		5	
24	900 075 341 01	Combination screw M 6 X 25 Z1		5	
25	928 101 189 00	Dowel sleeve		2	
26	944 107 197 01	Screw plug		1	
27	900 123 118 30	Sealing ring A 22 X 27		1	
28	N 013 315 1	Roll pin 5 X 10		1	
29	928 604 121 00	Insulating piece		1	
30	928 423 221 01	Support		1	
31	928 101 093 01	Mounting plate		1	
32	928 101 197 00	Fitting bushing		2	
33	N 040 301 1	Hexagon-head bolt M 8 X 48		2	
34	900 119 004 02	Pan-head screw M 8 X 30		2	

Model: 928 83

Model life 1983>>1986



Model: 928 83 Model life 1983>>1986

Pos	Part Number	Description	Remark	Qty	Model
		Crankshaft Connecting rod See technical information Group 1 NR.2/84			
1	928 102 011 25	Crankshaft		1	M28.19/20
1	928 102 011 27	Crankshaft		1	M28.43/44 M28.45/46
2	928 102 111 02	Deep-groove ball bearing		1	
3	928 102 202 10	Flywheel	-83	1	M28.11/19
3	928 102 202 11	Flywheel	84-	1	M28.19
3A	928 102 075 00	Flywheel	AUT. -83	1	M28.12/20
3A	928 102 075 02	Flywheel	84-	1	M28.20
3	928 102 078 01	Flywheel		1	M28.21
3	928 102 078 X	Flywheel		1	M28.21
3	928 102 078 01	Flywheel		1	M28.43/45
3	928 102 078 X	Flywheel		1	M28.43/45
3A	928 102 075 01	Flywheel	85-	1	M28.44
4	928 102 151 01	Pan-head screw		9	
5	900 118 014 00	Woodruff key		1	
6	928 102 125 02	Flange washer	85-	2	
7	928 105 125 12	Gear wheel Vibration damper		1	
7	928 105 125 14	Gear wheel Vibration damper		1	
8	928 102 120 23	Vibration damper		1	M28.19/20 M28.43/44 M28.45/46
10	928 102 118 03	Orange V-belt pulley Compressor		1	
(11)	928 102 139 03	Pulley	-83	1	M28.19/20
11	928 102 139 05	Pulley	84	1	
(11)	928 102 139 11	Pulley		1	M28.43/44 M28.45/46
12	928 102 124 01	Thrust washer		1	
13	900 083 036 02	Hexagon-head bolt M 18 X 1,5 X 45		1	
13	900 083 036 01	Hexagon-head bolt M 18 X 1,5 X 45		1	
14	928 101 115 02	Main bearing shell		3	
14A	928 101 115 02 002	Upper half 2,4,5		3	
14A	928 101 115 03	Main bearing shell		3	
14A	928 101 115 03 002	Lower half 2,4,5		3	
14A	928 101 115 15	Main bearing shell Set Standard Comprising: Lower half 2,4,5 Upper half 2,4,5		3	
14A	928 101 115 16	Main bearing shell Set Standard Comprising: Lower half 2,4,5 Upper half 2,4,5		3	
14	928 101 115 50	Main bearing shell Upper half 2,4,5 Undersize 0.25 mm		X	
14A	928 101 115 51	Main bearing shell Lower half 2,4,5 Undersize 0.25 mm		X	
14	928 101 132 63	Main bearing		X	

Model: 928 83 Model life 1983>>1986

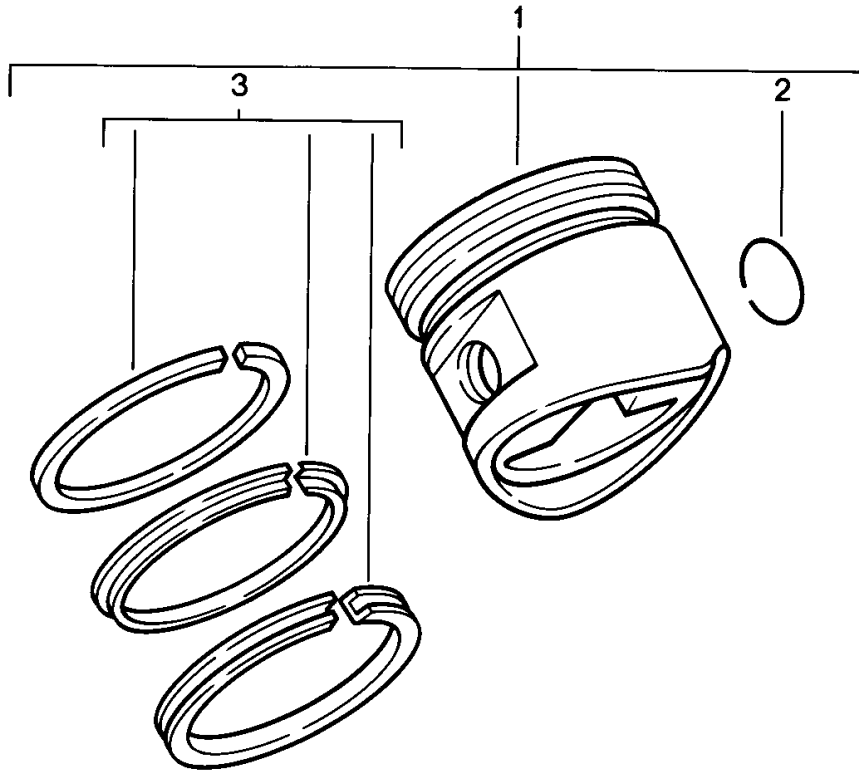
Pos	Part Number	Description	Remark	Qty	Model
14	928 101 115 60	2,4,5 Undersize 0.50 mm Main bearing shell Upper half 2,4,5		X	
14A	928 101 115 61	Undersize 0.50 mm Main bearing shell Lower half 2,4,5		X	
15	928 101 117 08	Undersize 0.50 mm Main bearing bush i		1	
15	928 101 117 58	Main bearing bush i		1	
15	928 101 117 60	Undersize 0.25 mm Main bearing bush i		X	
16	928 101 133 03	Undersize 0.50 mm Thrust bearing 3		2	
16	928 101 133 53	M >> 81E 00147 M >> 81E 05343 Thrust bearing 3		X	M28.19 M28.20
16	928 101 133 63	Undersize 0.25 mm M >> 81E 00147 M >> 81E 05343 Thrust bearing 3		X	M28.19 M28.20
16	928 101 142 02	Undersize 0.50 mm M >> 81E 00147 M >> 81E 05343 Thrust bearing M 81E 00148 >> M 81E 05344 >>		2	M28.19 M28.20
16	928 101 142 02 002 928 101 142 54	3 Thrust bearing 3		X	
16	928 101 142 64	Undersize 0.25 mm M 81E 00148 >> M 81E 05344 >> Thrust bearing 3		X	M28.19 M28.20
17	928 103 004 00	Undersize 0.50 mm M 81E 00148 >> M 81E 05344 >> Connecting rod		8	M28.19 M28.20
-	928 103 173 03	Connecting rod bolt		8	
17	928 103 004 00	Connecting rod		8	M28.11/12 -22 M28.19
-	928 103 173 03	Connecting rod bolt		8	
17	928 103 019 00	Connecting rod		8	M28.43/44 M28.45/46
17	928 103 004 01	Connecting rod		8	M28.43/44 M28.45/46
-	928 103 173 03	Connecting rod bolt		8	
18	928 103 133 00	Connecting rod bolt		8	
19	928 103 172 02	Piston pin bush		8	
20	928 103 143 02	Connecting rod nut		16	
20	928 103 143 02	Conrod bearing shell		16	
20	928 103 143 05	Connecting-rod bearing		16	
20	928 103 143 05 002	Russet			
20	928 103 143 52	Conrod bearing shell Oversize 0.25 mm		X	
20	928 103 143 57	Conrod bearing shell Oversize 0.50 mm		X	
21	928 101 901 02	Set of crankshaft bearings M >> 81E 00147		1	M28.19

Model: 928 83 Model life 1983>>1986

Pos	Part Number	Description	Remark	Qty	Model
21	928 101 901 52	M >> 81E 05343 Set of crankshaft bearings Undersize 0.25 mm M >> 81E 00147		1	M28.20 M28.19
21	928 101 901 62	M >> 81E 05343 Set of crankshaft bearings Undersize 0.50 mm A M >> 81E 00147		1	M28.20 M28.19 M28.20
21	928 101 901 07	M >> 81E 05343 Set of crankshaft bearings M 81E 00148 >> M 81E 05344 >>		1	M28.20 M28.19 M28.20
21	928 101 901 57	Set of crankshaft bearings Undersize 0.25 mm M 81E 00148 >> M 81E 05344 >>		1	M28.19 M28.20
21	928 101 901 67	Set of crankshaft bearings Undersize 0.50 mm M 81E 00148 >> M 81E 05344 >>		1	M28.19 M28.20

Model: 928 83

Model life 1983>>1986

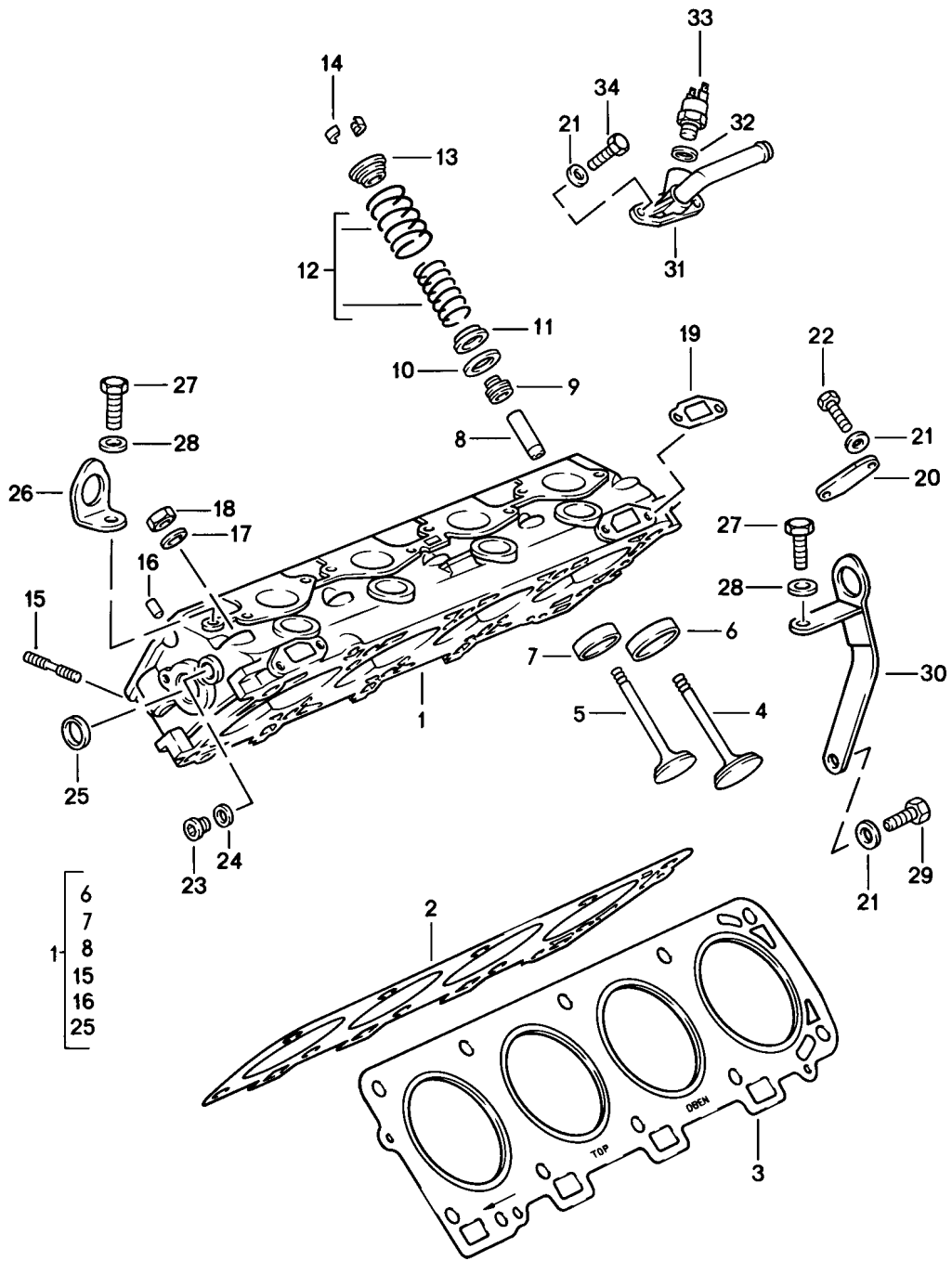


Model: 928 83 Model life 1983>>1986

Pos	Part Number	Description	Remark	Qty	Model
1	928 103 093 00	Piston Piston rings Piston - ks - 97,00 MM Tolerance group 0		8	M28.19/20
(1)	928 103 093 10	Piston - ks - 97,00 MM Tolerance group 1		X	M28.19/20
(1)	928 103 093 20	Piston - ks - 97,00 MM Tolerance group 2		X	M28.19/20
(1)	928 103 093 50	Piston - ks - 97,50 MM Tolerance group 0		X	M28.19/20
(1)	928 103 093 60	Piston - ks - 97,50 MM Tolerance group 1		X	M28.19/20
(1)	928 103 093 70	Piston - ks - 97,50 MM Tolerance group 2		X	M28.19/20
2	N 012 277 1	Circlip		16	
3	928 103 906 11	Set of piston rings 97,00 MM		1	
3	928 103 906 12	Set of piston rings 97,50 MM		1	
(1)	928 103 065 03	Piston - ks - 100,00 MM Tolerance group 0		8	M28.43/44
(1)	928 103 065 12	Piston		X	M28.43/44
(1)	928 103 065 23	Piston - ks - 100,00 MM Tolerance group 2		X	M28.43/44
(1)	928 103 065 53	Piston - ks - 100,50 MM Tolerance group 0		X	M28.43/44
(1)	928 103 065 63	Piston - ks - 100,50 MM Tolerance group 1		X	M28.43/44
(1)	928 103 065 72	Piston		X	M28.43/44
2	N 012 277 1	Circlip		16	
3	928 103 906 04	Set of piston rings 100,00 MM		1	M28.43/44 M28.45/46
3	928 103 906 05	Set of piston rings 100,50 MM		1	M28.43/44 M28.45/46

Model: 928 83

Model life 1983>>1986



Model: 928 83

Model life 1983>>1986

Pos	Part Number	Description	Remark	Qty	Model
		Supplier AUFGEA			
		Cylinder head 2			
1	928 104 072 00	Valve Cylinder head		2	M28.19/20
2	928 104 361 07	Cylinder head gasket without asbestos	/R	1	
2	928 104 361 15	Cylinder head gasket without asbestos for	/R	1	
3	928 104 362 07	Recond. cylinder heads Cylinder head gasket without asbestos	/L	1	
3	928 104 362 15	Cylinder head gasket without asbestos for	/L	1	
4	928 105 413 00	Recond. cylinder heads Intake valve		8	M28.19/20
5	928 105 417 03	Exhaust valve		8	M28.19/20
6	928 104 338 55	Valve seat ring Intake		8	M28.19/20
7	928 104 336 55	Valve seat ring Exhaust Oversize		8	M28.19/20
8	944 104 328 51	Valve guide 1st oversize		16	
9	928 104 193 12	Valve stem seal		16	
(9)	928 104 193 13	Valve stem seal		16	
(9)	964 104 111 07	Valve stem seal		16	
10	928 105 468 03	Washer 0,5 MM		X	
11	928 105 469 06	Washer		16	
12	928 105 905 09	Set of valve springs		16	
13	928 105 449 04	Concave washer		16	
14	901 105 417 00	Collet		32	
15	999 062 044 02	Stud 8 X 30		16	
16	900 302 019 00	Straight pin 8 M 6 X 24		4	
17	928 101 301 02	Washer		20	
18	999 076 043 02	Hexagon nut M 12 X 1,5		20	
19	928 106 197 02	Gasket 1,5 MM		2	
20	928 104 214 00	Lid	/L	1	
21	900 025 007 02	Washer A 8,4		5	
21	900 025 007 03	Washer A 8,4		5	
22	900 075 079 02	Hexagon-head bolt M 8 X 22		2	
23	900 219 004 02	Screw plug M 16 X 1,5		2	
24	900 123 018 30	Sealing ring 16 X 20		2	
25	900 036 005 02	Lid		4	
26	928 101 411 00	Bracket for transportation		1	
27	N 010 253 7	Hexagon-head bolt M 10 X 22		2	
28	900 025 008 09	Washer A 10,5		2	

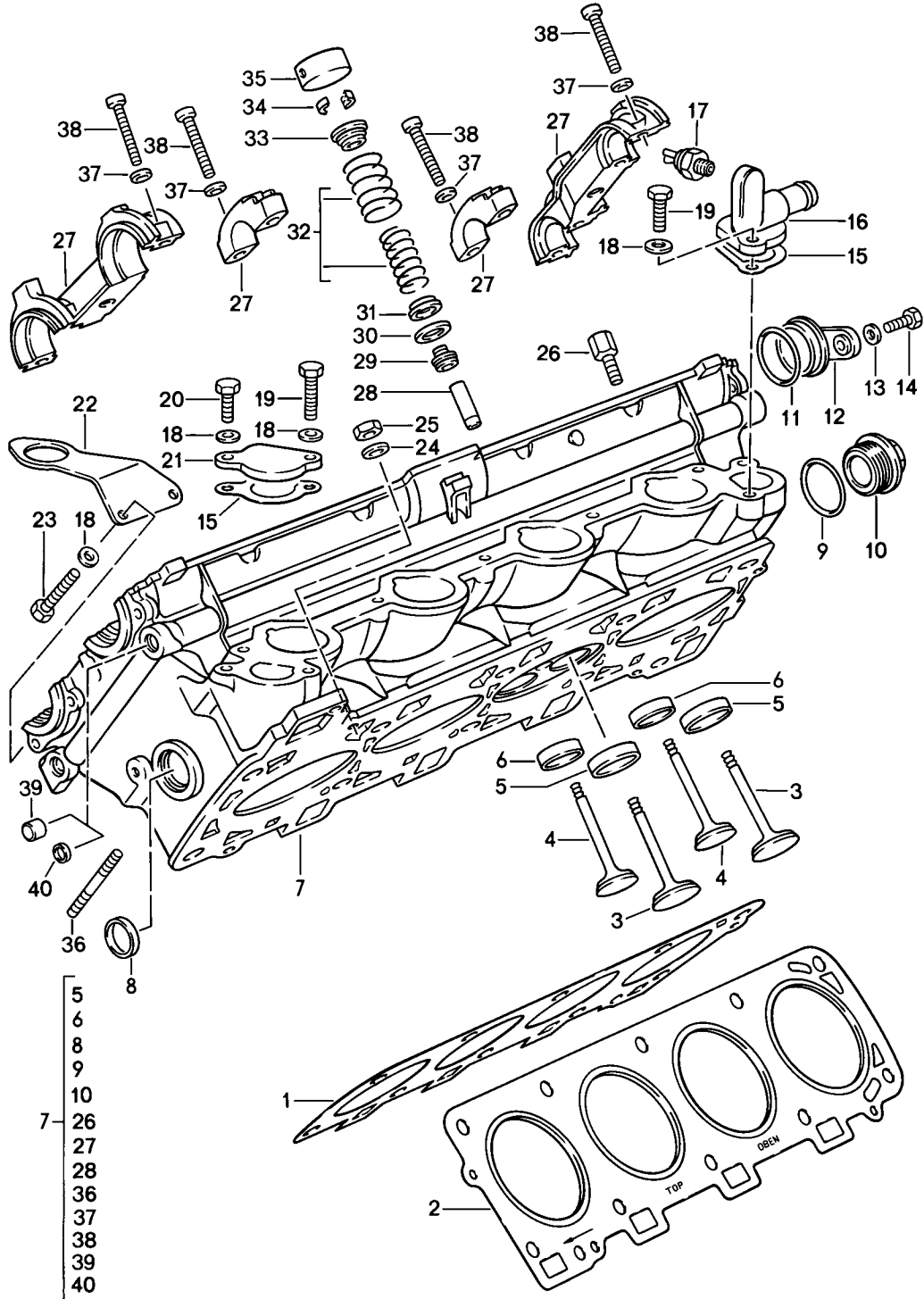
Model: 928 83

Model life 1983>>1986

Pos	Part Number	Description	Remark	Qty	Model
28	900 025 008 04	Washer A 10,5		2	
29	900 075 085 02	Hexagon-head bolt M 8 X 20		1	
30	928 101 412 01	Shackle for transportation		1	
31	928 104 061 01	Adapter	84-	1	

Model: 928 83

Model life 1983>>1986



Model: 928 83

Model life 1983>>1986

Pos	Part Number	Description	Remark	Qty	Model
		Cylinder head 4	85- 86		M28.43/44 M28.45/46
1	928 104 367 02	Valve Cylinder head gasket Cylinders 1 - 4		1	
1	928 104 367 05	Cylinder head gasket Cylinders 1 - 4 without asbestos		1	
1	928 104 367 11	Cylinder head gasket Cylinders 1 - 4 without asbestos for Recond. cylinder heads		1	
2	928 104 368 02	Cylinder head gasket Cylinders 5 - 8		1	
2	928 104 368 05	Cylinder head gasket Cylinders 5 - 8 without asbestos		1 1	
2	928 104 368 11	Cylinder head gasket Cylinders 5 - 8 without asbestos for Recond. cylinder heads		1	
3	928 105 641 01	Intake valve		16	
4	928 105 642 01	Exhaust valve		16	
5	928 104 611 12	Valve seat ring Intake Oversize		16	
6	928 104 612 12	Valve seat ring		16	
6	928 104 612 14	Valve seat ring Exhaust		16	
7	928 104 050 01	Cylinder head		2	
8	900 036 014 02	Lid		2	
9	N 043 811 1	Sealing ring C 38 X 44		2	
10	944 104 228 00	Screw plug CM 38 X 1,5		2	
10	944 104 228 01	Screw plug		2	
11	928 105 319 02	Sealing ring		6	
(11)	928 105 215 00	Lid		6	
12	944 105 259 00	Lid		6	
(12)	928 105 205 00	Support		6	
13	N 011 524 7	Washer A 6,4		6	
13	N 011 524 27	Washer A 6,4		6	
14	900 075 016 02	Hexagon-head bolt M 6 X 22		5	
14	900 075 016 03	Hexagon-head bolt M 6 X 22		5	
15	928 106 167 01	Gasket		2	
(15)		Gasket without asbestos		2	
16	928 104 713 02	Adapter Cylinders 1 - 4		1	
17	928 110 128 01	Thermo valve		1	
18	900 025 007 02	Washer A 8,4		8	
18	900 025 007 03	Washer A 8,4		8	
19	900 075 029 09	Hexagon-head bolt M 8 X 25		3	
19	900 075 029 03	Hexagon-head bolt		3	

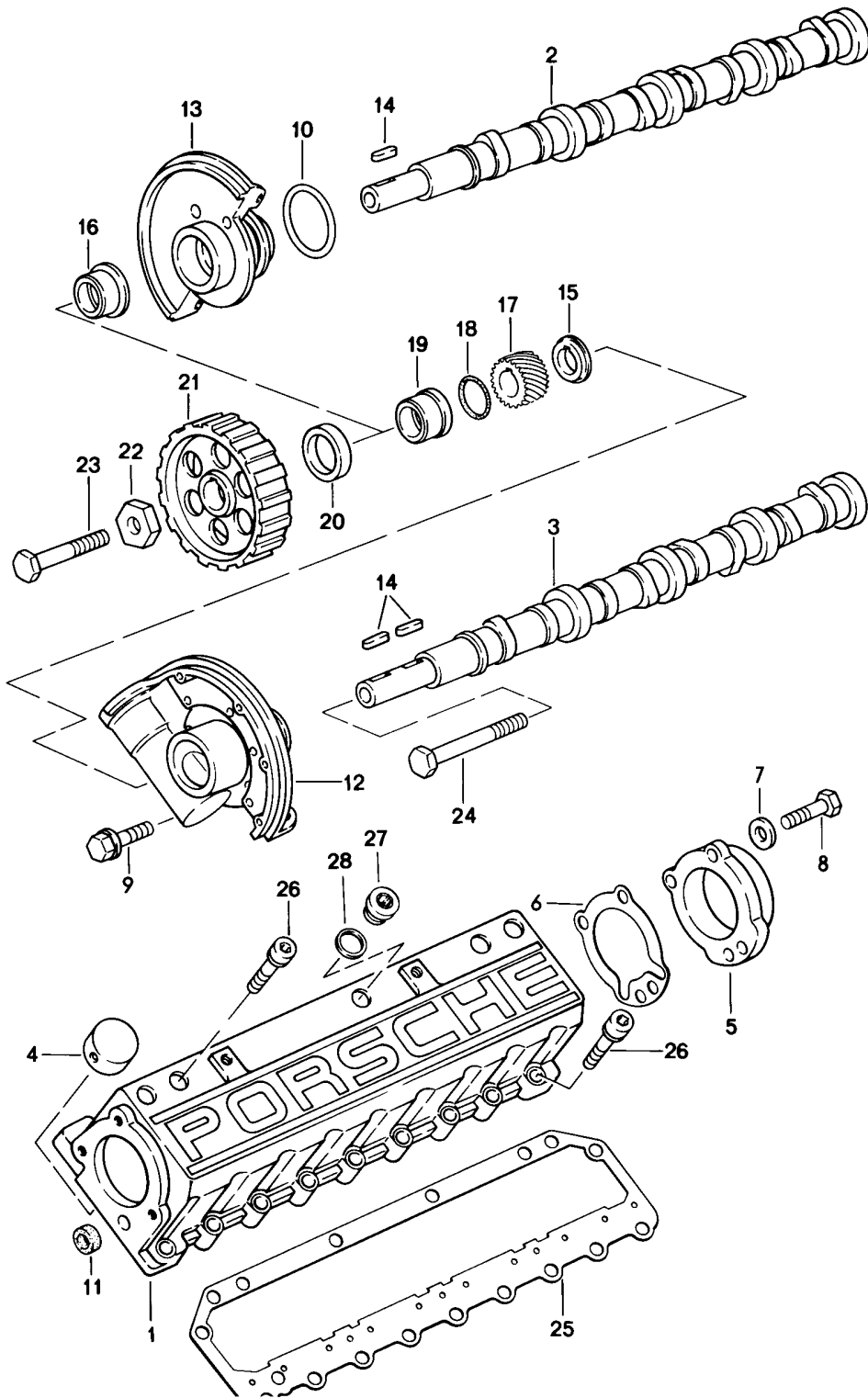
Model: 928 83

Model life 1983>>1986

Pos	Part Number	Description	Remark	Qty	Model
20	900 075 079 02	M 8 X 25 Hexagon-head bolt		1	
21	928 104 219 00	M 8 X 22 Lid		1	
22	928 113 173 02	Cylinders 5 - 8 Shackle for transportation		2	
23	900 075 085 02	Hexagon-head bolt		2	
24	928 101 301 02	M 8 X 20 Washer		20	
25	999 076 043 02	M 12 X 1,5 Hexagon nut		20	
26	928 104 484 00	M 12 X 1,5 Spacer screw		24	
28	944 104 327 51	Not available Valve guide		32	
29	928 104 601 07	1st oversize Valve stem seal		32	
30	944 105 465 02	Washer		X	
(30)	944 105 465 03	0,5 MM Washer		X	
(30)	944 105 465 04	1,0 MM Washer		X	
(30)	944 105 465 05	1,5 MM Washer		X	
31	944 105 463 02	2,0 MM Washer		32	
(32)	928 105 905 07	Set of valve springs		32	
33	944 105 467 03	Concave washer		32	
34	928 105 221 10	Valve collet		64	
35	928 105 312 02	Hydraulic valve tappet		32	
36	999 062 044 02	Stud		16	
38	N 014 743 2	BM 8 X 30 Pan-head screw		48	
38	900 067 012 03	M 6 X 30 Pan-head screw		48	
39	911 101 182 00	M 6 X 30 Stopper		X	
40	N 011 918 1	Lid		X	
-	928 101 231 01	Hexagon-head bolt		18	
-	928 101 233 01	M 12 X 1,5 X 180 Hexagon-head bolt		2	
		M 12 X 1,5 X 130			

Model: 928 83

Model life 1983>>1986



Model: 928 83 Model life 1983>>1986

Pos	Part Number	Description	Remark	Qty	Model
		Camshaft 2			
1	928 105 251 00	Valve Camshaft housing		2	
2	928 105 203 00	Camshaft	-84	1	M28.19/20
		Cylinders 1 - 4			
3	928 105 204 00	Camshaft	-84	1	M28.19/20
		Cylinders 5 - 8			
4	928 105 311 06	Hydraulic valve tappet		16	
4	928 105 311 08	Hydraulic valve tappet		16	
5	928 105 153 03	Lid		2	
6	928 105 189 02	Gasket		2	
7	N 011 524 7	Washer		12	
		A 6,4			
7	N 011 524 27	Washer		12	
		A 6,4			
8	900 075 016 02	Hexagon-head bolt		6	
		M 6 X 22			
8	900 075 016 03	Hexagon-head bolt		6	
		M 6 X 22			
9	900 075 341 02	Combination screw		6	
		M 6 X 25 Z1			
9	900 075 341 01	Combination screw		6	
		M 6 X 25 Z1			
10	999 701 602 40	O-ring		2	
		50 X 5			
11	928 105 184 00	Sealing ring		2	
11	928 105 184 01	Sealing ring		2	
12	928 105 136 04	Flange mounting	/L	1	
13	928 105 119 04	Camshaft bearing	/R	1	
14	900 117 050 00	Feather key		3	
15	928 105 131 01	Spacer sleeve	/L	1	
16	928 105 139 02	Spacer sleeve	/R	1	
		M >> 82G 00071			M28.21
		M >> 82G 05066			M28.22
16	928 105 139 04	Spacer sleeve	/R	1	
		M 82G 00072 >>			M28.21
		M 82G 05067 >>			M28.22
16	928 105 139 05	Spacer sleeve	/R	1	
		M 82G 00072 >>			M28.21
		M 82G 05067 >>			M28.22
17	928 105 543 02	Drive wheel		1	
18	999 701 592 40	O-ring		2	
		23 X 2			
19	928 105 143 02	Spacer tube		1	
20	999 113 282 40	Shaft sealing ring		2	
		M >> 82G 00071			M28.21
		M >> 82G 05066			M28.22
20	999 113 349 40	Shaft sealing ring		2	
		M 82G 00072 >>			M28.21
		M 82G 05067 >>			M28.22
21	928 105 545 10	Camshaft timing gear		2	
21	928 105 545 14	Camshaft timing gear		2	
22	928 105 565 00	Washer		2	
23	N 010 470 7	Hexagon-head bolt		1	
		M 10 X 70			
23	N 010 470 1	Hexagon-head bolt		1	
		M 10 X 70			
24	900 074 224 08	Hexagon-head bolt		1	
		M 10 X 95			
25	928 105 199 12	Gasket		2	
(25)	928 105 199 13	Gasket without asbestos		1	

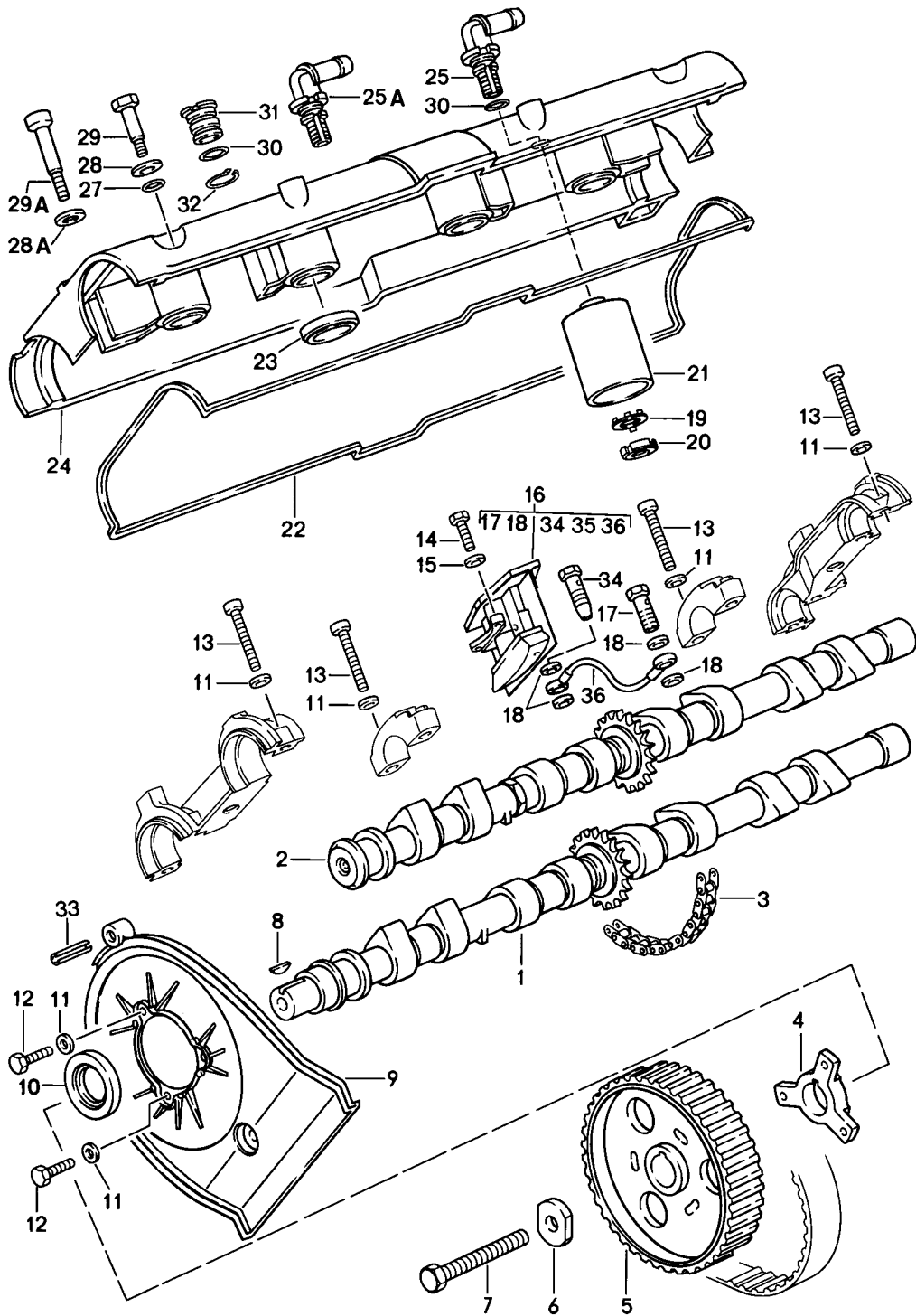
Model: 928 83

Model life 1983>>1986

Pos	Part Number	Description	Remark	Qty	Model
26	900 067 214 02	Pan-head screw BM 8 X 35		30	
26	900 067 214 01	Pan-head screw BM 8 X 35		30	
27	900 219 009 30	Screw plug M 18 X 1,5		12	
28	900 123 140 30	Sealing ring A 18 X 22		12	

Model: 928 83

Model life 1983>>1986



Model: 928 83 Model life 1983>>1986

Pos	Part Number	Description	Remark	Qty	Model
		Camshaft Driving mechanism 4 Valve	85- 86		M28.43/44 M28.45/46
1	928 105 293 08	Camshaft Exhaust Cylinders 1 - 4		1	
(1)	928 105 294 07	Camshaft Exhaust Cylinders 5 - 8		1	
2	928 105 291 08	Camshaft Intake Cylinders 1 - 4		1	
(2)	928 105 292 08	Camshaft Intake Cylinders 5 - 8		1	
3	944 105 501 05	Timing chain		2	
4	928 105 459 00	Hub		2	
5	928 105 530 01	Camshaft timing gear		2	
5	928 105 530 04	Camshaft timing gear		2	
6	928 105 457 02	Washer		2	
7	N 010 455 3	Hexagon-head bolt M 10 X 55		2	
8	900 117 055 00	Feather key		2	
9	928 105 127 04	Toothed belt covering	/L	1	
(9)	928 105 148 05	Toothed belt covering	/R	1	
10	999 113 282 40	Shaft sealing ring		2	
11	900 025 007 02	Washer A 6,4		6	
11	900 025 007 03	Washer A 6,4		6	
12	900 075 014 02	Hexagon-head bolt M 6 X 18		6	
12	900 075 014 03	Hexagon-head bolt M 6 X 18		6	
13	N 014 743 2	Pan-head screw M 6 X 30		48	
13	900 067 012 03	Pan-head screw M 6 X 30		48	
14	900 067 089 02	Pan-head screw M 6 X 22		2	
15	N 011 524 7	Washer A 6,4		2	
15	N 011 524 27	Washer A 6,4		2	
16	928 105 028 08	Chain adjuster Cylinders 1 - 4		1	
16	928 105 028 09	Chain adjuster Cylinders 1 - 4		1	
(16)	928 105 027 08	Chain adjuster Cylinders 5 - 8		1	
(16)	928 105 027 09	Chain adjuster Cylinders 5 - 8		1	
17	928 105 476 00	Banjo bolt		2	
(17)	928 105 476 04	Banjo bolt		2	
18	900 123 050 30	Sealing ring		4	
19	900 160 015 00	Tab washer B 18		2	
19	900 160 015 01	Tab washer B 18		2	
20	900 159 008 02	Grooved nut M 18 X 1,5		2	
21	928 107 731 01	Oil separator		1	

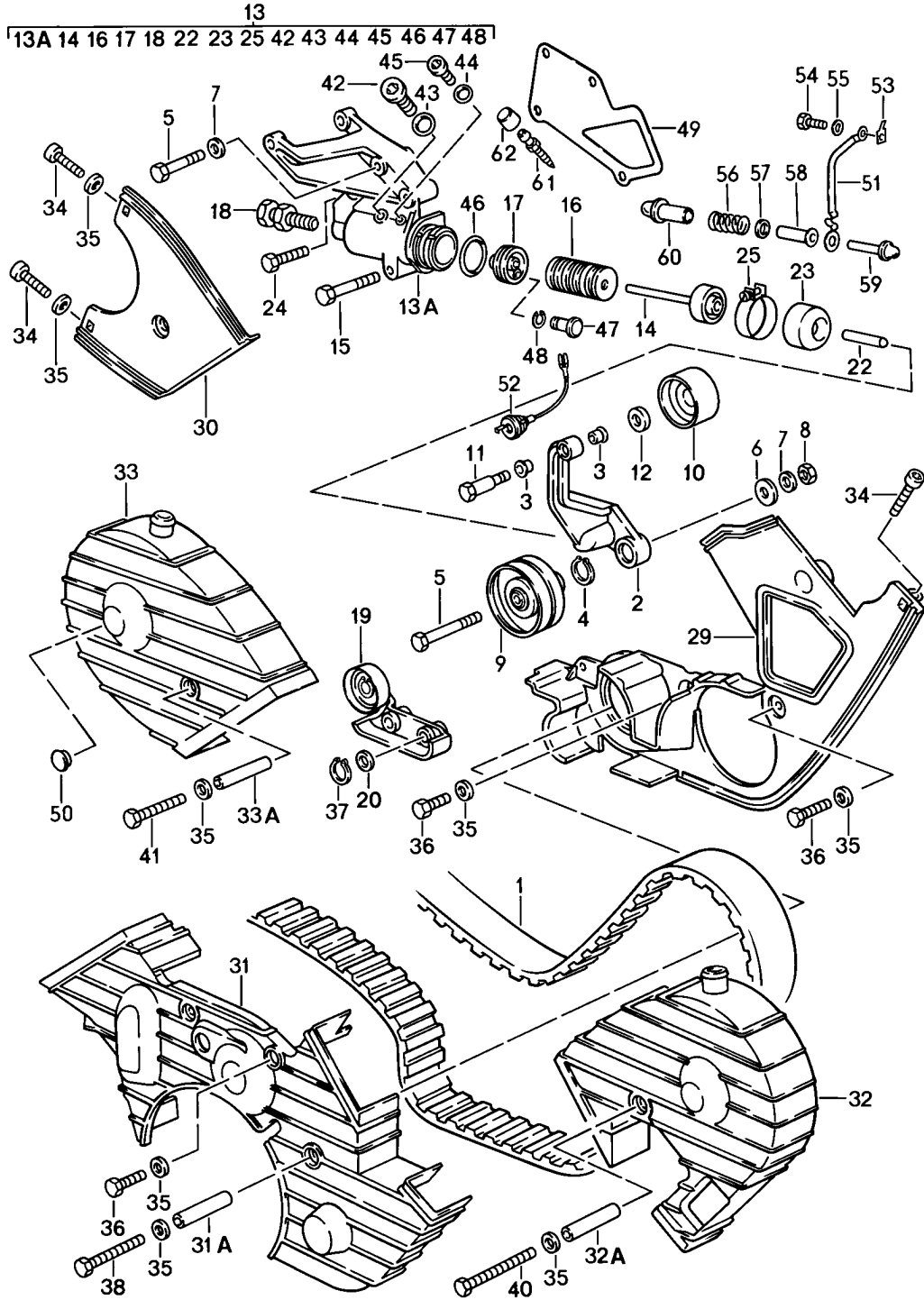
Model: 928 83

Model life 1983>>1986

Pos	Part Number	Description	Remark	Qty	Model
(22)	928 104 447 06	Cylinders 1 - 4 Gasket		2	
23	928 104 443 08	Sealing ring		8	
24	928 104 461 06	Cylinder head cover		2	
25	928 107 733 00	Adapter		1	
25A	928 107 733 02	Adapter		1	
		Cylinders 1 - 4 Only together with 928.104.461.06			
27	999 701 731 40	O-ring 8,5 X 2,5		22	
(28A)	928 104 417 02	Washer A 9,3		22	
29A	928 104 481 17	Hexagon-head bolt		18	
(29A)	928 104 481 18	Hexagon-head bolt		6	
30	900 174 056 40	O-ring 17 X 2,5		4	
31	928 104 485 01	Lid ZYL.5 - 8		2	
32	N 012 420 1	Circlip 20 X 1,2		2	
33	999 095 103 01	Roll pin		1	
34	928 105 081 01	Check valve		1	
34	928 105 476 00	Banjo bolt		1	
(34)	928 105 476 04	Banjo bolt		1	
36	928 105 213 02	Pipeline Cylinders 1 - 4	85	1	M28.43/44
36	928 105 213 03	Pipeline Cylinders 1 - 4	86	1	M28.43/44 M28.45/46
(36)	928 105 214 02	Pipeline Cylinders 5 - 8	85	1	M28.43/44
(36)	928 105 214 03	Pipeline Cylinders 5 - 8	86	1	M28.43/44 M28.45/46
-	928 105 614 01	Spring guide M >> 81F 00515 M >> 81F 06040		1	M28.43 M28.44
-	928 105 509 01	Guide rail Upper		1	
-	944 105 949 00	Guide rail Repair kit		1	

Model: 928 83

Model life 1983>>1986



Model: 928 83 Model life 1983>>1986

Pos	Part Number	Description	Remark	Qty	Model
		Driving mechanism			
		Camshaft			
1	928 105 157 50	Toothed belt		1	
2	928 105 540 03	Carrier for tension roller		1	M28.11/12
					M28.19/20
2	928 105 540 05	Carrier for tension roller		1	M28.11/12
					-22
					M28.19
(2)	928 105 489 00	Carrier for tension roller		1	M28.43/44
					M28.45/46
3	999 924 003 40	Bush		2	M28.11/12
					-22
					M28.19
(3)	928 105 613 04	Bearing sleeve	85-	2	M28.21/22
			85-		M28.43/44
4	N 042 364 1	Circlip		1	
		20 X 1,75			
5	900 074 139 02	Hexagon-head bolt		3	
		M 8 X 55			
5	900 074 139 03	Hexagon-head bolt		3	
		M 8 X 55			
6	999 025 068 07	Washer		1	
		9 X 25 X 3,5			
7	900 025 007 02	Washer		1	
		A 8,4			
7	900 025 007 03	Washer		1	
		A 8,4			
8	900 076 025 02	Hexagon nut		1	
		M 8			
8	900 076 064 02	Hexagon nut		1	
		M 8			
(9)	928 105 512 12	Tensioning roller		1	
10	928 105 571 00	Roller		1	
		M >> 82D 00630			M28.11
		M >> 82D 05848			M28.12
		M >> 81D 00789			M28.19
		M >> 81D 05765			M28.20
10	928 105 571 02	Roller		1	
		M 82D 00631 >>			M28.11
		M 82D 05849 >>	83-		M28.12
		M 81D 00790 >>			M28.19
		M 81D 05766 >>			M28.20
10	928 105 571 06	Roller		1	
		M 82D 00631 >>			M28.11
		M 82D 05849 >>			M28.12
		M 81D 00790 >>			M28.19
		M 81D 05766 >>			M28.20
10	928 105 571 02	Roller	84-	1	M28.21/22
			85-		M28.43/44
10	928 105 571 06	Roller	84-	1	M28.21/22
					M28.43/44
10	928 105 571 04	Roller	86	1	M28.43/44/45
					M28.46
(11)	928 105 570 03	Bearing pin		1	
12	928 105 572 00	Washer		1	
13	928 105 046 06	Tension roller housing		1	
		Information available			
(13)	928 105 036 00	Tension roller housing		1	M28.43/44
					M28.45/46
(13)	928 105 036 02	Tension roller housing		1	M28.43/44
					M28.45/46
13A	928 105 066 00	Tension roller housing		1	M28.43/44
					M28.45/46

Model: 928 83 Model life 1983>>1986

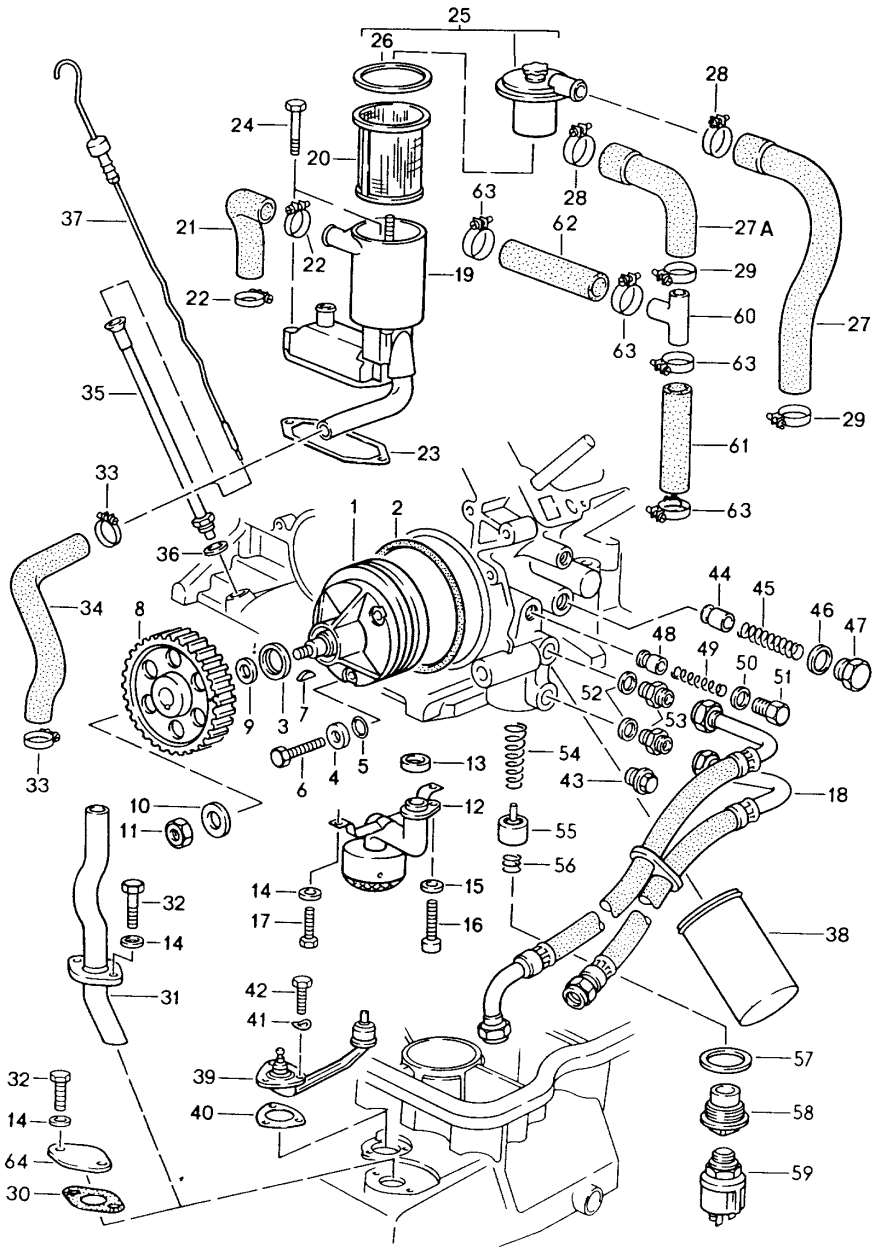
Pos	Part Number	Description	Remark	Qty	Model
13A	928 105 086 02	Tension roller housing Information available		1	M28.21/22 M28.21/22
14	928 105 059 04	Piston		1	
14		Piston		1	
15	900 074 135 02	Hexagon-head bolt M 8 X 62		1	M28.21/22
(15)	N 010 360 6	Hexagon-head bolt M 8 X 60		1	M28.43/44
(15)	N 010 360 19	Hexagon-head bolt M 8 X 60		1	M28.43/44
16	928 105 539 03	Bi-metal plate		35	
16	928 105 539 02	Bi-metal plate		35	
17	928 105 588 00	Valve support		1	
18	928 105 075 03	Adjusting screw		1	
(19)	928 105 567 01	Guide rail		1	
19	928 105 067 00	Bracket M 81D 0694 >> M 81D 5431 >> Only together with 928.105.147.03		1	M28.21/22 M28.19 M28.20
20	900 234 003 02	Shim 8 X 14 X 1		2	
20	900 234 003 01	Shim 8 X 14 X 1		2	
22	928 105 551 02	Push rod		1	
23	928 105 552 06	Convoluted air bellows		1	
(23)	928 105 552 08	Convoluted air bellows		1	
24	900 074 134 02	Hexagon-head bolt M 8 X 45		1	
25	999 512 345 02	Hose clamp S50/7		1	
(25)	999 512 344 02	Terminal 49,9 - 53/7		1	
(25)	999 512 564 02	Terminal 49,9 - 53/7		1	
(25)	999 512 564 0B	Terminal 49,9 - 53/7		1	
29	928 105 147 05	Toothed belt covering		1	
30	928 105 148 00	Toothed belt covering		1	M28.11/12 M28.19/20
(31)	928 105 144 05	Toothed belt covering	83	1	M28.11/12 M28.19/20
(31)		Toothed belt covering	84-	1	M28.19/20 M28.21/22
31	928 105 144 04	Toothed belt covering	84-	1	M28.43/44 M28.45/46
31A	928 105 445 00	Spacer tube 44,5 MM		1	
32	928 105 145 04	Toothed belt covering		1	M28.11/12 M28.19/20 M28.21/22
32	928 105 145 07	Toothed belt covering		1	M28.43/44
32A	928 105 443 00	Spacer tube 82,5 MM		1	
33	928 105 146 03	Toothed belt covering	84-	1	
33	928 105 146 05	Toothed belt covering		1	M28.43/44
33A	928 105 444 00	Spacer tube 57,5 MM		1	
34	900 067 008 02	Pan-head screw M 6 X 12		3	
34	900 067 008 03	Pan-head screw M 6 X 12		3	
35	N 011 524 7	Washer		14	

Model: 928 83 Model life 1983>>1986

Pos	Part Number	Description	Remark	Qty	Model
35	N 011 524 27	A 6,4 Washer		14	
36	900 075 014 02	A 6,4 Hexagon-head bolt M 6 X 18		5	
36	900 075 014 03	Hexagon-head bolt M 6 X 18		5	
37	N 012 408 2	Circlip 8 X 0,8		2	
38	N 040 307 1	Hexagon-head bolt M 6 X 73		1	
39	900 223 003 02	Washer B 6,4		5	
40	900 074 262 02	Hexagon-head bolt M 6 X 98		1	
40	900 074 262 0C	Hexagon-head bolt M 6 X 98		1	
41	900 074 164 02	Hexagon-head bolt M 6 X 70		1	
42	900 219 007 02	Screw plug M 10 X 1		1	
42	900 219 007 01	Screw plug M 10 X 1		1	
43	900 123 144 30	Sealing ring A 10 X 13,5		1	
44	900 123 102 30	Sealing ring A 6,5 X 9,5		1	
45	N 014 765 2	Pan-head screw M 6 X 10		1	
46	999 701 650 40	O-ring 27,5 X 1,5		1	
47	928 105 589 00	Valve		1	
48	900 906 002 00	Circlip		1	
49	928 105 611 05	Gasket		1	
50	914 552 233 10	Filler piece		1	M28.19/20
	914 552 233 10 01C	Black			
50	914 552 233 10	Filler piece		1	M28.19/20
	914 552 233 10 01C	Black			
51	928 105 615 00	Bridge		1	M28.21/22
51	928 105 615 01	Bridge		1	M28.43/44 M28.45/46
52	928 606 148 00	Extension cable		1	
53	999 652 315 02	Flat plug for Carrier for tension roller		1	
54	N 010 205 6	Hexagon-head bolt M 5 X 10		1	
54	900 075 105 02	Screw M 5 X 10		1	
55	900 025 003 02	Washer A 5,3		1	
56	928 105 577 03	Compression spring		1	
57	900 025 008 09	Washer		1	
57	900 025 008 04	Washer		1	
58	928 105 574 01	Guide sleeve		1	
59	928 105 573 02	Push rod		1	
60	928 105 578 03	Mounting		1	
61	211 611 477 A	Ventilation valve		2	M28.43/44 M28.45/46
62	211 611 483	Dust boot		2	M28.43/44 M28.45/46

Model: 928 83

Model life 1983>>1986



Model: 928 83 Model life 1983>>1986

Pos	Part Number	Description	Remark	Qty	Model
1	928 107 008 02	Engine lubrication Oil pump		1	
2	999 701 633 40	O-ring 98 X 3		1	
3	999 113 275 40	Shaft sealing ring 20 X 30 X 7		1	
4	928 107 165 00	Washer A 8,4		3	
5	999 701 006 40	O-ring		3	
6	900 074 134 02	Hexagon-head bolt M 8 X 45		3	
7	N 012 713 1	Woodruff key 5 X 6,5		1	
8	928 107 107 13	Gear wheel		1	
9	928 107 166 00	Support washer		1	
10	928 101 303 00	Washer 10,5		1	
11	N 011 010 6	Hexagon nut M 10		1	
11	N 101 552 10	Hexagon nut M 10		1	
12	928 107 032 06	Suction tube		1	
13	928 107 136 04	Sealing ring		1	
14	N 011 524 7	Washer A 6,4		4	
14	N 011 524 27	Washer A 6,4		4	
15	900 025 007 02	Washer A 8,4		1	
15	900 025 007 03	Washer A 8,4		1	
16	N 014 726 1	Pan-head screw M 8 X 30		1	
17	999 072 005 09	Hexagon nut M 6 X 12		2	
17	999 072 005 01	Hexagon nut M 6 X 12		2	
18	928 107 037 05	Oil hose		1	M28.43/44 M28.45/46
19	928 107 071 01	Oil separator		1	
(19)	928 107 083 02	Filler neck		1	M28.43/44 M28.45/46
20	928 107 717 03	Oil strainer		1	
21	928 107 315 00	Hose for Oil separator		1	
21	928 107 315 01	Hose for Oil separator		1	
22	999 512 038 02	Hose clamp S 28/9		2	
22	PCG 512 038 02	Hose clamp S 28/9		2	
(23)	928 107 303 07	Filler neck		1	M28.43/44 M28.45/46
24	900 075 343 02	Hexagon-head bolt M 6 X 45 Z1		2	
25	928 199 710 03	Lid		1	
(25)	944 107 091 01	Oil filler cover		1	M28.43/44 M28.45/46
(26)	999 701 653 40	O-ring		1	M28.43/44 M28.45/46
26	928 107 711 00	Gasket		1	

Model: 928 83 Model life 1983>>1986

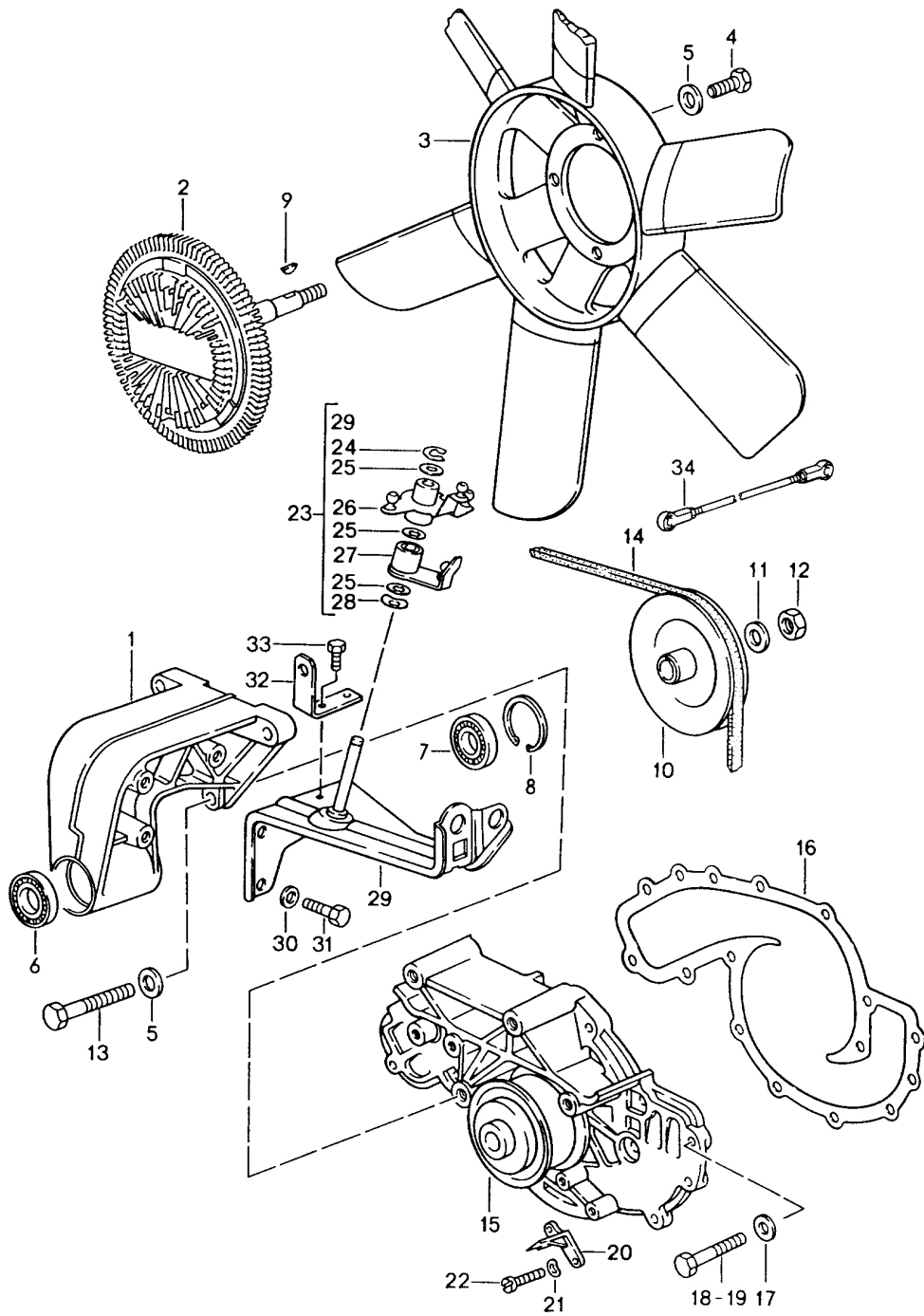
Pos	Part Number	Description	Remark	Qty	Model
27	928 107 722 00	Breather hose	83	1	
27A	928 107 724 00	Hose elbow M 81D 0955 >> M 81D 6180 >>		1	M28.19/20
28	999 512 252 02	Hose clamp LA 23-35		1	
29	N 024 115 1	Hose clamp S 23/9		1	
30	928 107 169 01	Gasket		1	
30		Gasket without asbestos		1	
31	928 107 167 01	Oil tube	-85	1	
31	928 107 167 02	Oil tube	86	1	
32	N 010 217 9	Hexagon-head bolt M 6 X 20		2	
33	999 512 038 02	Hose clamp		2	
33	PCG 512 038 02	Hose clamp		2	
33	999 512 038 02	Hose clamp		2	
34	928 107 311 01	Connecting hose		1	
35	928 107 020 00	Guide tube M >> 82F 00664 M >> 82F 06403 M >> 81F 00699 M >> 81F 06446		1	M28.21 M28.22 M28.43 M28.44
(35)	928 107 020 06	Guide tube M 82F 00665 >> M 82F 06404 >>		1	M28.21 M28.22
(35)	928 107 020 01	Guide tube M 81F 00700 >> M 81F 06447 >>		1	M28.43 M28.44
36	900 123 007 30	Sealing ring A 14 X 18 M >> 82F 00664 M >> 82F 06403 M >> 81F 00699 M >> 81F 06446		1	M28.21 M28.22 M28.43 M28.44
(36)	900 174 044 40	Round seal M 82F 00665 >> M 82F 06404 >> M 81F 00700 >> M 81F 06447 >>		1	M28.21 M28.22 M28.43 M28.44
37	928 107 737 07	Oil level dipstick M >> 82F 00664 M >> 82F 06403		1	M28.11/12 M28.21/22 M28.21 M28.22
37	928 107 737 11	Oil level dipstick M >> 81F 00699 M >> 81F 06446		1	M28.43 M28.44
(37)	928 107 041 01	Oil level dipstick M 82F 00665 >> M 82F 06404 >> M 81F 00700 >> M 81F 06447 >>		1	M28.21 M28.22 M28.43 M28.44
38	928 107 201 05	Oil filter		1	
38	928 107 201 07	Oil filter Red	-(IND)	1	
39	928 606 301 02	Tank gauge switch		1	
40	928 606 213 03	Gasket		1	
40		Gasket without asbestos		1	
41	N 012 222 4	Spring washer B 5		3	
42	N 010 207 6	Hexagon-head bolt		3	

Model: 928 83 Model life 1983>>1986

Pos	Part Number	Description	Remark	Qty	Model
42	N 010 207 17	M 5 X 12 Hexagon-head bolt		3	
43	N 016 163 2	M 5 X 12 Screw plug		2	
43	900 124 020 01	M 22 X 1,5 Screw plug		2	
44	928 107 182 00	M 22 X 1,5 Piston	85-	1	M28.43/44
45	928 107 183 01	Compression spring	85-	1	M28.43/44
46	900 123 060 30	Sealing ring A 24 X 29		1	
47	928 107 181 01	Screw plug		1	
48	928 107 081 00	Piston with Sealing strap		1	
49	928 107 176 02	Compression spring		1	
50	900 123 140 30	Sealing ring A 18 X 22		1	
51	928 107 180 01	Screw plug		1	
52	900 123 118 30	Sealing ring A 22 X 27		2	
53	900 915 003 02	Screw socket	85-	2	M28.43/44
54	928 107 171 01	Compression spring	85-	1	M28.43/44
55	928 107 172 02	Regulator insert	85-	1	M28.43/44
56	928 107 173 00	Compression spring	85-	1	M28.43/44
57	900 123 143 70	Sealing ring C 48 X 55		1	
58	928 107 174 07	Screw plug		1	
59	928 606 203 01	Oil pressure sender with Warning contact		1	
59	928 606 203 04	Oil pressure sender with Warning contact		1	
60	928 107 351 00	Valve M 81D 0955 >> M 81D 6180 >>		1	M28.19/20
-	999 236 002 50	Hose D 12 X 3,5		*	
61		150 MM		1	
62		610 MM		1	
63	900 272 003 02	Hose clamp S 19 / 9 ZY		4	
63	999 512 554 00	Hose clamp S 19 / 9 ZY		4	
64	928 107 209 00	Lid	85-	1	M28.43/44
-	928 107 445 00	Hose		1	M28.43/44
-	928 107 313 00	Hose	85-	1	M28.43/44

Model: 928 83

Model life 1983>>1986



Model: 928 83

Model life 1983>>1986

Pos	Part Number	Description	Remark	Qty	Model
		Fan			
1	928 106 110 04	Water pump		1	
2	928 106 112 05	Fan carrier		1	
		Viscous clutch			
		Only together with			
		928.106.137.01			
3	928 106 137 01	Fan		1	
		Only together with			
		928.106.112.05			
4	900 075 087 02	Hexagon-head bolt		4	
		M 8 X 16			
4	900 075 087 03	Hexagon-head bolt		4	
		M 8 X 16			
5	900 025 007 02	Washer		7	
		A 8,4			
5	900 025 007 03	Washer		7	
		A 8,4			
6	928 106 445 02	Deep-groove ball bearing		1	
7	928 106 441 05	Deep-groove ball bearing		1	
8	900 042 026 01	Circlip		1	
		37 X 1,5			
9	N 012 708 2	Woodruff key		1	
		4 X 5			
10	928 106 113 02	Pulley		1	M28.11/12
					M28.21/22
10		Pulley		1	M28.19/20
					M28.43/44
10	928 106 113 05	Pulley		1	M319
11	900 025 008 09	Washer		1	
		A 10,5			
11	900 025 008 04	Washer		1	
		A 10,5			
12	N 011 010 6	Hexagon nut		1	
		M 10			
12	N 101 552 10	Hexagon nut		1	
		M 10			
13	N 010 335 5	Hexagon-head bolt		3	
		M 8 X 35			
13	900 075 032 03	Hexagon-head bolt		3	
		M 8 X 35			
14	999 192 160 50	Narrow v-belt		1	M28.19/20
					M28.43/44
		12,5 X 1040 MM			
14	999 192 120 50	Narrow v-belt		1	M319
		12,5 X 1025 MM			
15	928 106 015 11	Water pump		1	
15	928 106 015 16	Water pump		1	
15	928 106 015 22	Water pump		1	
16	928 106 134 05	Gasket		1	
		without asbestos			
16	928 106 134 06	Gasket		1	
		without asbestos			
17	N 011 524 7	Washer		6	
		A 6,4			
17	N 011 524 27	Washer		6	
		A 6,4			
18	N 010 217 9	Hexagon-head bolt		5	
		M 6 X 20			
19	900 075 341 02	Combination screw		8	
		M 6 X 25 Z1			
19	900 075 341 01	Combination screw		8	
		M 6 X 25 Z1			
20	928 105 176 01	Pointer for t.d.c.		1	

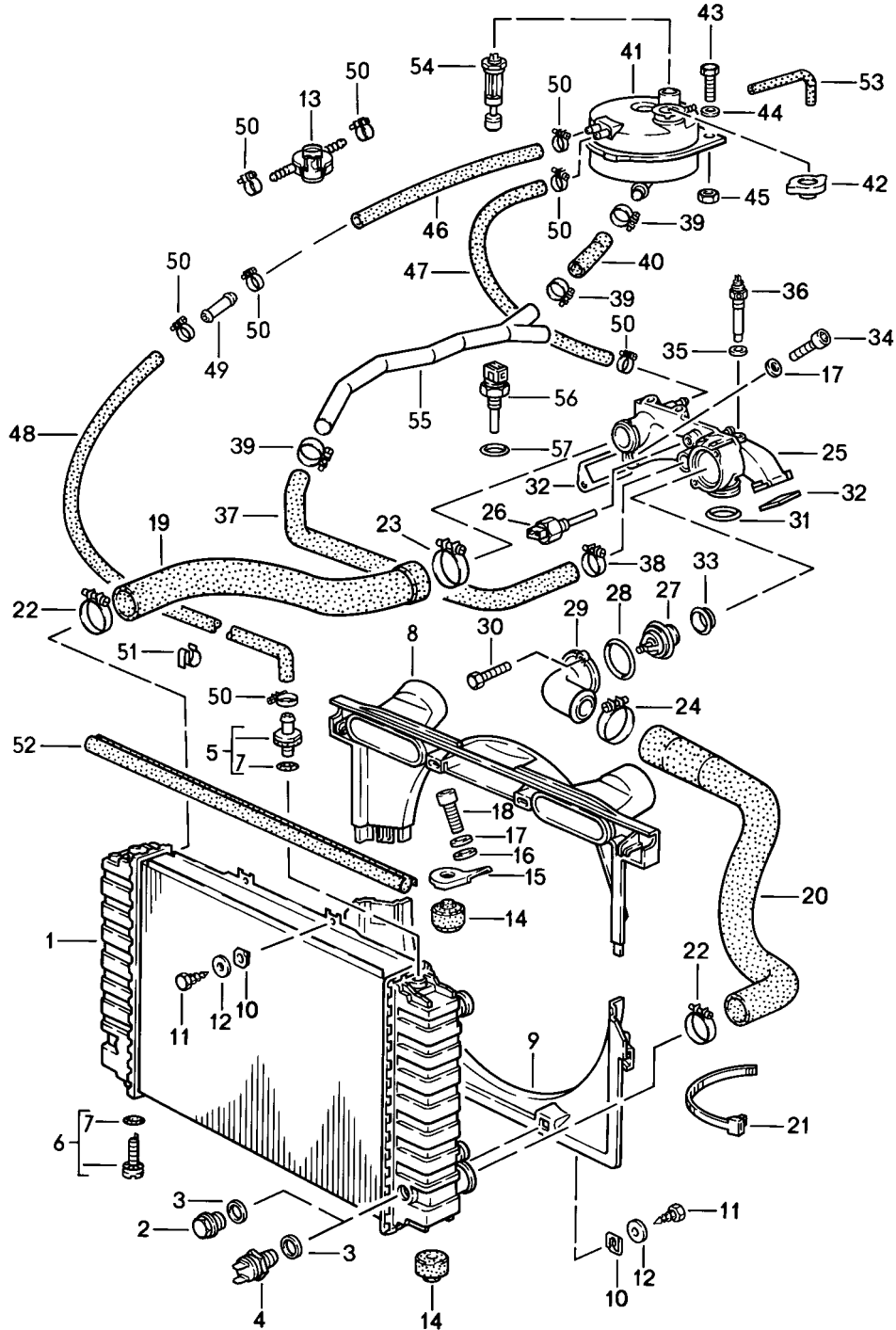
Model: 928 83

Model life 1983>>1986

Pos	Part Number	Description	Remark	Qty	Model
21	900 025 003 02	Washer A 5,3		2	
22	900 014 066 02	Pan-head screw M 5 X 18		2	
22	900 976 010 01	Pan-head screw M 5 X 18		2	
23	928 110 627 00	Bracket	/LL 85- 86	1	M28.43/44 M28.45/46
24	900 116 005 02	Lock washer		1	
25	999 234 024 00	Thrust washer		3	
26	928 110 679 00	Reverse lever		1	
27	928 110 680 00	Reverse lever	/LL 85- 86	1	M28.43/44 M28.45/46
28	928 110 741 01	Spring washer		1	
29	928 110 677 00	Bracket	/LL 85- 86	1	M28.43/44 M28.45/46
30	900 025 007 02	Washer A 8,4		3	
30	900 025 007 03	Washer A 8,4		3	
31	900 075 085 02	Hexagon-head bolt M 8 X 20		3	
34	928 110 719 01	Pull rod	85- 86	1	M28.43/44 M28.45/46

Model: 928 83

Model life 1983>>1986



Model: 928 83

Model life 1983>>1986

Pos	Part Number	Description	Remark	Qty	Model
1	928 106 040 02	Water cooling Radiator		1	
1		Engine oil cooler Radiator		1	
1		Engine oil cooler Radiator	AUT. 85-	1	
1		Engine And Transmission oil cooler Radiator	AUT.	1	
(1)		Engine And Transmission oil cooler Radiator	83	1	
1		Radiator	84-	1	
(1)		Radiator	AUT. 83	1	
1		Transmission oil cooler Radiator	AUT. 84-	1	
3	900 123 149 70	Transmission oil cooler Sealing ring A 22 X 29		1	
4	823 959 481 F	Temperature switch		1	
5	928 106 443 02	Breather adapter		1	
6	928 106 444 01	Drain plug		1	
7	999 701 651 40	O-ring 7,65 X 1,78		X	
8	928 106 063 00	Air guide		1	M28.11/12 -22 M28.19 M28.43/44 M28.45/46
(8)	928 106 063 03	Air guide		1	
9	928 106 262 02	Upper part Air guide		1	
10	999 591 571 02	Lower part Speed nut B 6,3		4	
11	900 187 015 02	Hexagon-head tapping screw B 6,3 X 16		4	
12	N 011 612 3	Washer R 6,6		4	
12	N 011 612 C	Washer R 6,6		4	
13	928 641 513 00	Pressure switch		1	
14	928 106 177 01	Rubber mounting		4	
15	928 106 178 01	Support		2	
16	900 151 008 02	Washer A 8,4		2	
17	900 025 007 02	Washer A 8,4		6	
17	900 025 007 03	Washer A 8,4		6	
18	900 119 052 02	Pan-head screw M 8 X 16		2	
19	928 106 238 06	Hose		1	
(19)	928 106 238 08	Hose		1	M28.43/44
20	928 106 239 08	Hose	-85	1	
20	928 106 239 07	Hose	86	1	
21	999 513 010 40	Tie-wrap		1	
22	999 512 330 02	Hose clamp S 56/15		2	
22	PCG 512 330 02	Hose clamp S 56/15		2	
23	999 512 331 02	Hose clamp		1	

Model: 928 83 Model life 1983>>1986

Pos	Part Number	Description	Remark	Qty	Model
24	999 512 334 02	S 61/15 Hose clamp		1	
24	PCG 512 334 02	S 59/15 Hose clamp		1	
25	928 106 016 04	S 59/15 Regulator housing	-84	1	M28.19/20
25	928 106 016 12	Regulator housing	-84	1	M28.19/20
25	928 106 065 03	Regulator housing	85- 86	1	M28.43/44 M28.45/46
26	928 605 101 00	Temperature time switch	-84	1	
26	928 605 101 02	Temperature time switch		1	
27	928 106 129 16	Thermostat		1	
27	928 106 129 17	Thermostat		1	
28	999 701 632 40	O-ring		1	
29	928 106 173 02	Lid Regulator housing		1	
30	900 075 341 02	Combination screw M 6 X 25 Z1		2	
30	900 075 341 01	Combination screw M 6 X 25 Z1		2	
31	999 701 627 40	O-ring 53 X 7		1	
32	928 106 197 01	Gasket		2	
32	928 106 197 10	Gasket		2	
32	928 106 197 04	Gasket		2	
32	928 106 197 03	Gasket		2	
32	928 106 227 00	Gasket		2	M28.43/44 M28.45/46
33	928 106 163 00	Gasket M 81D 0868 >> M 81D 6051 >>		1	M28.21/22 M28.19 M28.20
34	N 014 726 1	Pan-head screw M 8 X 30		4	
35	900 123 007 30	Sealing ring A 14 X 18		1	
36	928 606 201 01	Remote temperature sensor		1	
37	928 106 321 03	Line	/LL -84	1	
37	928 106 321 05	Line	/LL	1	
37	928 106 321 04	Line	/LL 85-	1	
37	928 106 321 06	Line	/LL 85-	1	
38	999 512 300 02	Hose clamp SR 33/9		X	
39	999 512 374 02	Hose clamp SGT 20 - 32/9		3	
40	928 106 323 01	Line		1	
41	928 106 256 03	Expansion tank	/LL	1	
42	928 106 257 03	Catch		1	
43	900 187 015 02	Hexagon-head tapping screw 6,3 X 16		2	
44	N 011 612 3	Washer R 6,6		2	
44	N 011 612 C	Washer R 6,6		2	
45	999 591 571 02	Speed nut B 6,3		2	
-	999 181 709 50	Hose 8 X 14		*	
46		70 MM	84-	1	
46		330 MM	83	1	
47	928 106 275 02	Moulded hose	/LL	1	
48	928 106 277 01	Hose	/LL 83	1	
48	928 106 277 02	Hose	/LL 84-	1	
(48)	927 106 277 02	Hose	/RL 84-	1	M28.21/22

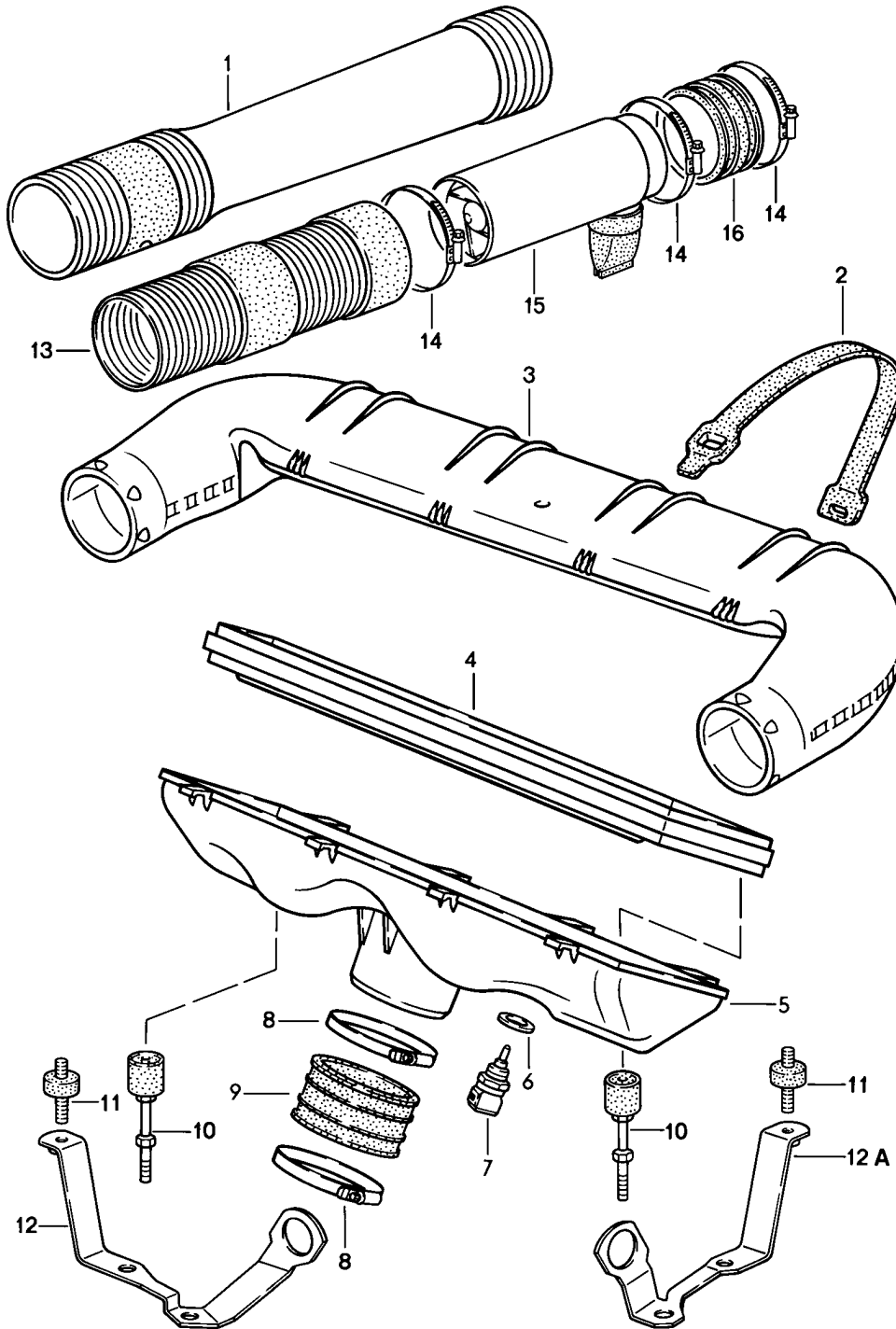
Model: 928 83

Model life 1983>>1986

Pos	Part Number	Description	Remark	Qty	Model
49	999 230 106 02	Nipple		1	
50	999 512 160 02	Hose clamp SM 13/9		6	
50	PCG 512 160 02	Hose clamp SM 13/9		6	
51	999 651 165 02	Cable clamp		3	
52	928 106 271 02	Sealing strip for Radiator 782 MM		1	
53	928 106 425 00	Overpressure hose 350 MM		1	
54	928 641 503 01	Tank gauge switch for cooling water		1	
55		See group 8/13/10 - 5		.	
56	928 606 125 01	Temperature sensor		1	M28.19/20
(56)	928 606 126 00	Temperature sensor	85-	1	M28.43/44
57	900 123 101 30	Sealing ring		1	
-	928 106 142 00	Water drain tube for Radiator		1	

Model: 928 83

Model life 1983>>1986

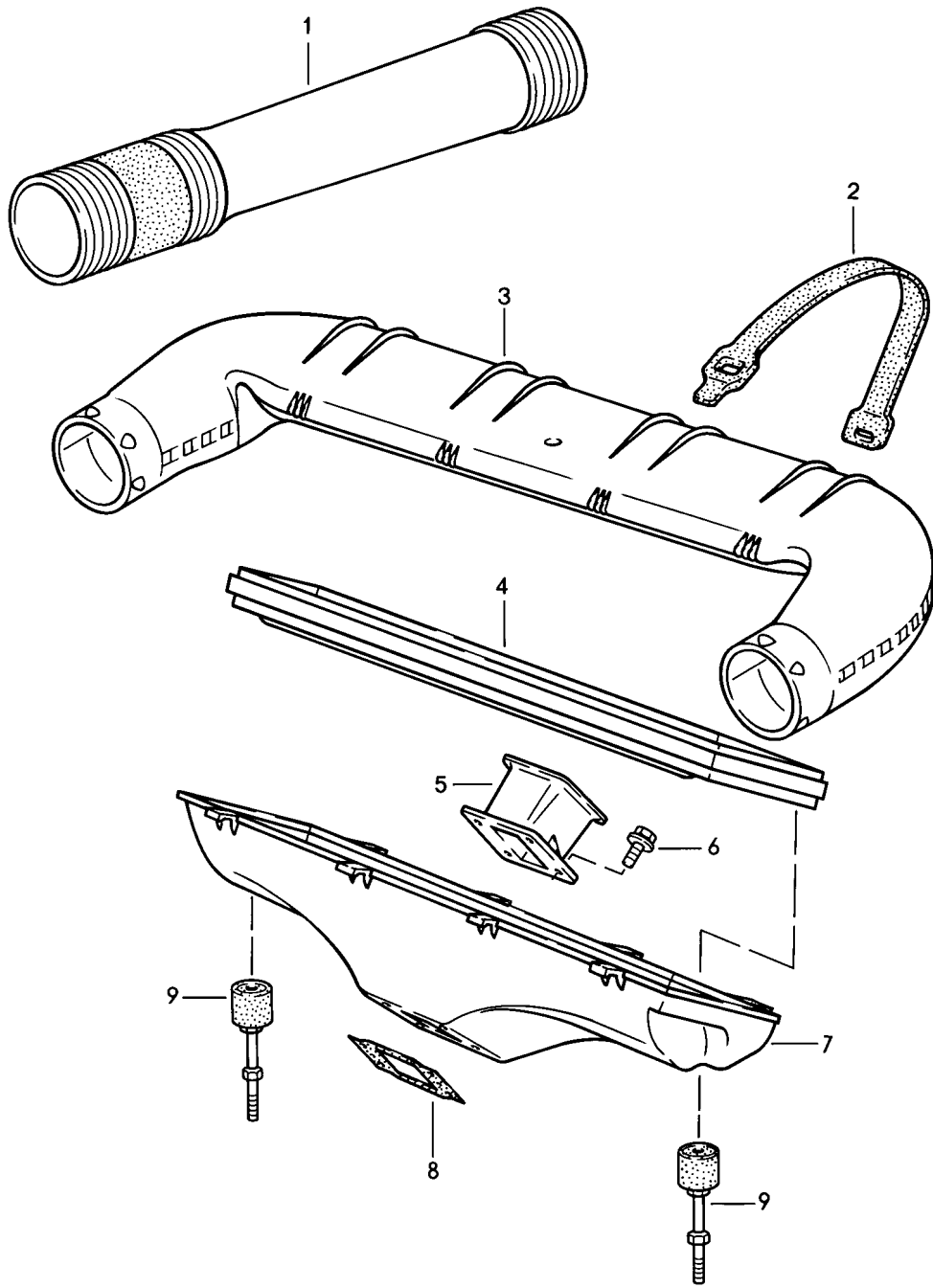


Model: 928 83 Model life 1983>>1986

Pos	Part Number	Description	Remark	Qty	Model
1	928 110 272 04	Air cleaner	84-	2	M28.21/22
(1)	928 110 272 11	Lh-jetronic Suction hose	85-	1	M28.43/44
(1)	928 110 272 21	Suction hose		1	M28.21/22 M28.43/44 M28.45/46
2	928 110 363 01	Restraining strap		4	M28.43/44
(2)	928 110 363 06	Restraining strap		4	M28.21/22 M28.43/44 M28.45/46
3	928 110 230 06	Air cleaner		1	M28.21/22
(3)	928 110 230 02	Upper part Air cleaner		1	M28.43/44 M28.45/46
4	928 110 185 03	Upper part Air cleaner cartridge		1	
5	928 110 229 01	Air cleaner		1	M28.21/22
(5)	928 110 229 03	Lower part Air cleaner		1	M28.43/44 M28.45/46
6	900 123 055 30	Lower part Sealing ring A 12 X 17		1	
7	928 606 143 00	Temperature sensor		1	
8	999 512 539 00	Hose clamp		2	
9	928 110 243 02	Connecting hose		1	
10	928 110 049 02	Support		2	M28.21/22
11	931 110 191 00	Bonded rubber buffer		2	M28.43/44 M28.45/46
11	999 703 260 00	Bonded rubber buffer		2	
12	928 110 525 06	Support		1	M28.43/44 M28.45/46
12A	928 110 145 11	Support		1	M28.43/44 M28.45/46

Model: 928 83

Model life 1983>>1986



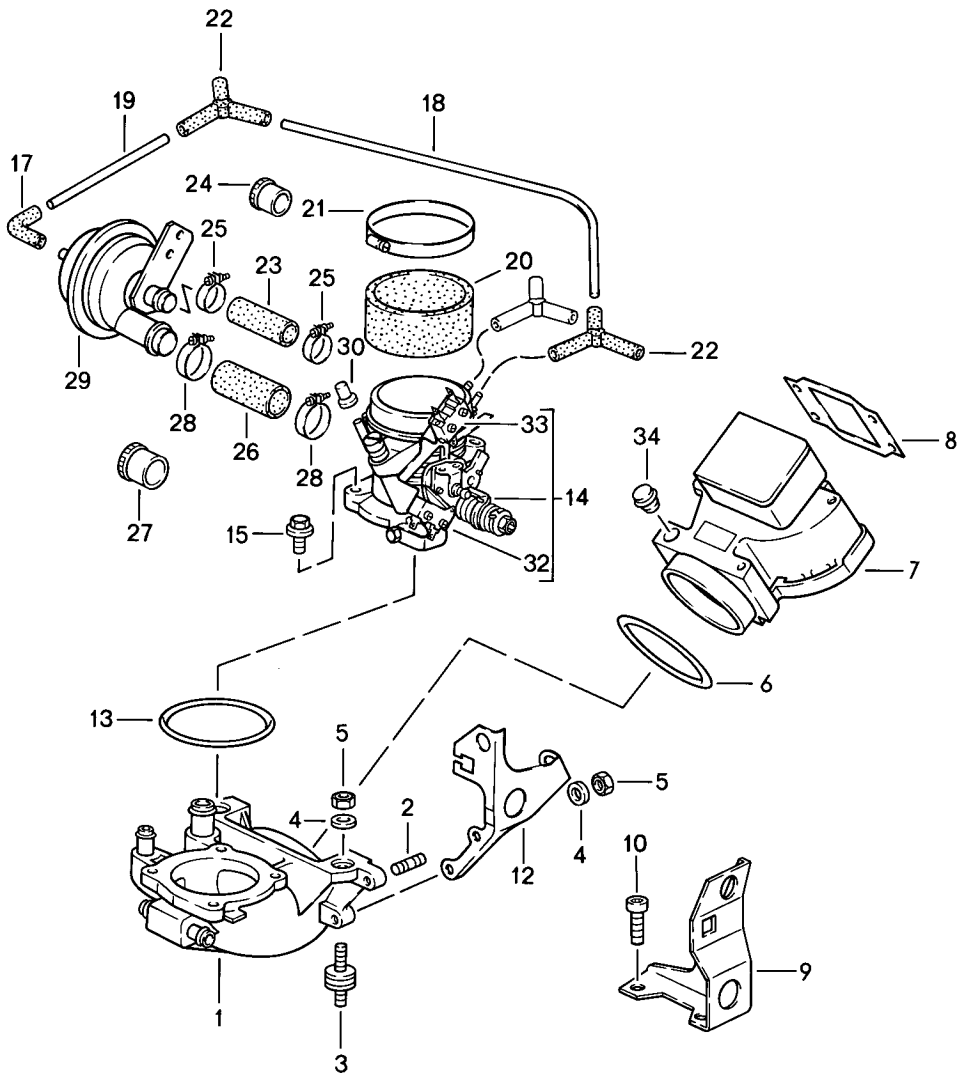
Model: 928 83

Model life 1983>>1986

Pos	Part Number	Description	Remark	Qty	Model
		Air cleaner L-jetronic	-84		M28.19/20
1	928 110 272 04	Suction hose		2	
2	928 110 363 01	Restraining strap		4	
3	928 110 230 06	Air cleaner Upper part		1	
4	928 110 185 03	Air cleaner cartridge		1	
5	928 110 204 01	Intake trumpet		1	
6	999 075 048 02	Hexagon-head bolt M 6 X 22 Z1		4	
7	928 110 211 00	Air cleaner Lower part		1	
8	928 110 201 01	Sealing frame		1	
9	928 110 049 00	Support		2	

Model: 928 83

Model life 1983>>1986

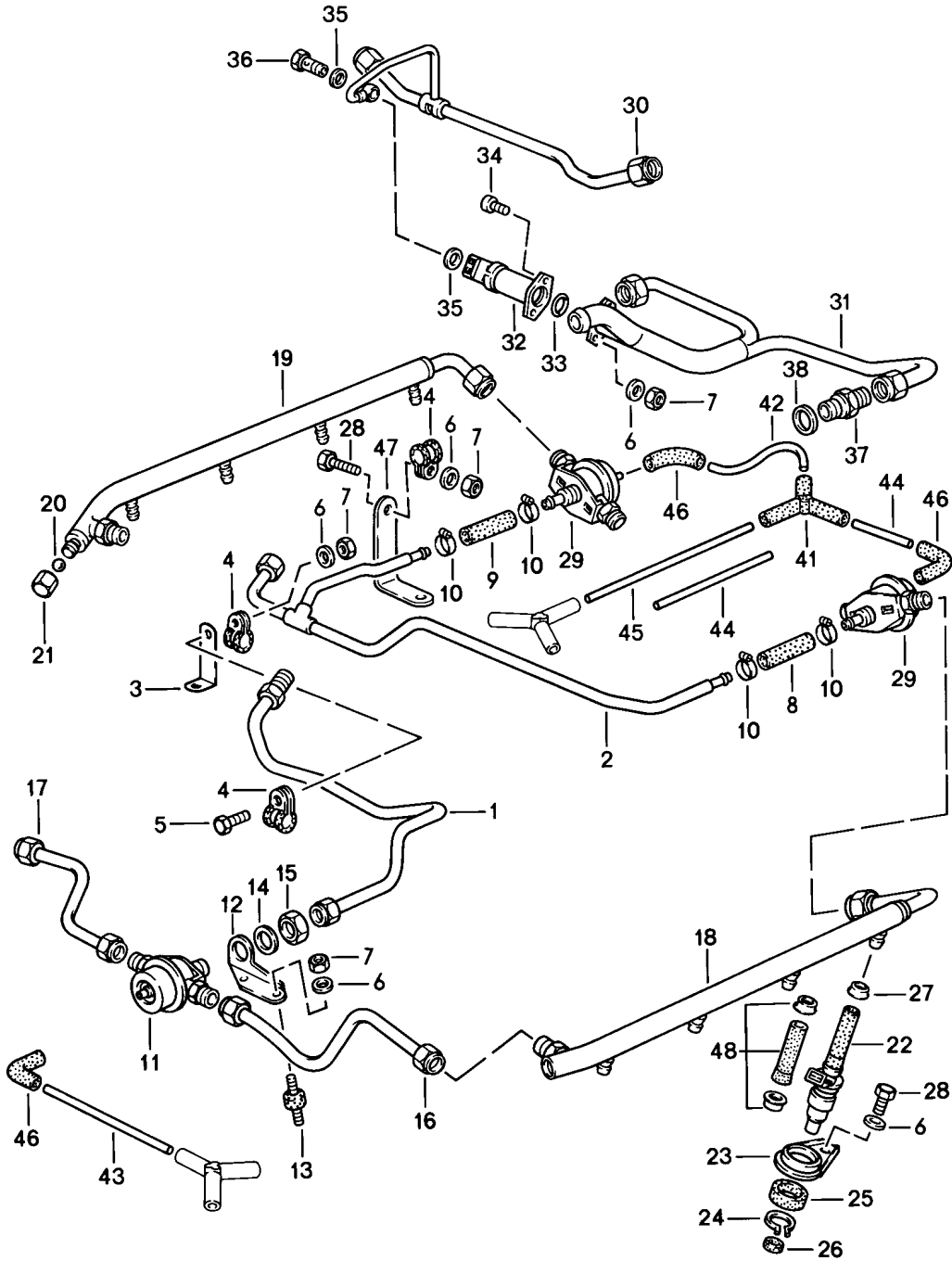


Model: 928 83 Model life 1983>>1986

Pos	Part Number	Description	Remark	Qty	Model
		L-jetronic 1	-84 (CDN) (USA) (J)		M28.19/20
1	928 110 098 04	Air guide housing		1	
2	999 062 055 02	Stud BM 6 X 12		2	
3	928 110 191 00	Bonded rubber buffer		3	
3	999 703 261 00	Bonded rubber buffer		3	
4	N 011 524 7	Washer A 6,4		13	
4	N 011 524 27	Washer A 6,4		13	
5	900 076 010 02	Nut M 6		5	
5	900 076 010 0B	Nut M 6		5	
6	999 701 599 40	Sealing ring		1	
7	928 606 121 02	Mass air flow meter		1	
7	928 606 121 BX	Mass air flow meter		1	
8	928 110 201 01	Sealing frame		1	
12	928 110 217 03	Support	83-	1	M28.19/20
13	999 701 436 40	O-ring 91 X 4		1	
14	928 110 090 20	Flap-Nozzle		1	
15	900 075 341 02	Combination screw M 6 X 25 Z1		4	
15	900 075 341 01	Combination screw M 6 X 25 Z1		4	
17	928 574 717 02	Moulded hose		1	M28.19
-	N 020 139 1	Hose 4 X 1		*	
18		60 MM		1	M28.19
19		150 MM		1	M28.19
20	928 110 248 01	Connecting piece		1	
21	999 512 226 02	Hose clamp S 88/9		2	
22	928 573 727 02	Distributing piece		X	
23	928 110 175 00	Hose		1	M28.19
24	999 703 171 40	Cap 14 X 15		1	M28.20
25	999 512 045 02	Hose clamp S 22/9		2	M28.19
26	928 110 178 00	Hose		1	M28.19
27	999 703 172 40	Cap 18 X 15		1	M28.20
28	999 512 552 00	Hose clamp S 25/9		2	M28.19
28	999 512 552 01	Hose clamp S 25/9		2	M28.19
29	928 110 173 01	Vacuum limiter		1	M28.19
30	930 110 292 00	Stopper		1	
32	928 606 131 00	Microswitch Lower		1	
33	928 606 131 01	Microswitch Upper		1	
34	928 606 221 00	Stopper		1	

Model: 928 83

Model life 1983>>1986



Model: 928 83

Model life 1983>>1986

Pos	Part Number	Description	Remark	Qty	Model
		L-jetronic 2	-84 (CDN) (USA) (J)		M28.19/20
1	928 110 367 07	Fuel line Intake Pressure regulator		1	
2	928 110 369 06	Fuel line Return line Pressure regulator		1	
3	928 110 287 03	Bracket		1	
4	999 511 116 02	Clamp		2	
4	999 511 116 03	Clamp		2	
5	900 075 014 02	Hexagon-head bolt M 6 X 18		1	
5	900 075 014 03	Hexagon-head bolt M 6 X 18		1	
6	N 011 524 7	Washer A 6,4		2	
6	N 011 524 27	Washer A 6,4		2	
7	900 076 010 02	Nut M 6		4	
7	900 076 010 0B	Nut M 6		4	
-	999 181 152 50	Fuel hose 7,5 X 13,5		*	
8		65 MM		1	
8		90 MM		1	
9		115 MM		1	
10	999 512 160 02	Hose clamp S 13/9		4	
10	PCG 512 160 02	Hose clamp S 13/9		4	
11	928 110 202 00	Diaphragm damper		1	
12	928 110 409 02	Support		1	
13	999 689 001 00	Bonded rubber mounting		2	
14	900 025 020 02	Washer A 17		1	
15	900 034 013 02	Hexagon nut BM 16 X 1,5		1	
15	900 034 013 01	Hexagon nut BM 16 X 1,5		1	
16	928 110 377 04	Feed line	/L	1	
17	928 110 378 03	Feed line	/R	1	
18	928 110 079 06	Distributor injection tube		1	
19	928 110 080 03	Distributor injection tube		1	
20	900 108 022 00	Ball		1	
21	928 110 475 01	Cap nut M 12 X 1,5		1	
21	928 110 475 03	Cap nut M 12 X 1,5		1	
21	928 110 475 04	Cap nut M 12 X 1,5		1	
22	928 606 110 01	Injector valve		8	
23	022 133 271	Pressure plate		8	
24	900 041 012 01	Snap ring 22 X 1,2		8	
25	311 133 263	Valve seat Outer		8	
26	311 133 261 A	Valve seat Inner		8	
27	928 110 351 00	Hose sleeve		8	
28	900 075 057 02	Hexagon-head bolt		8	

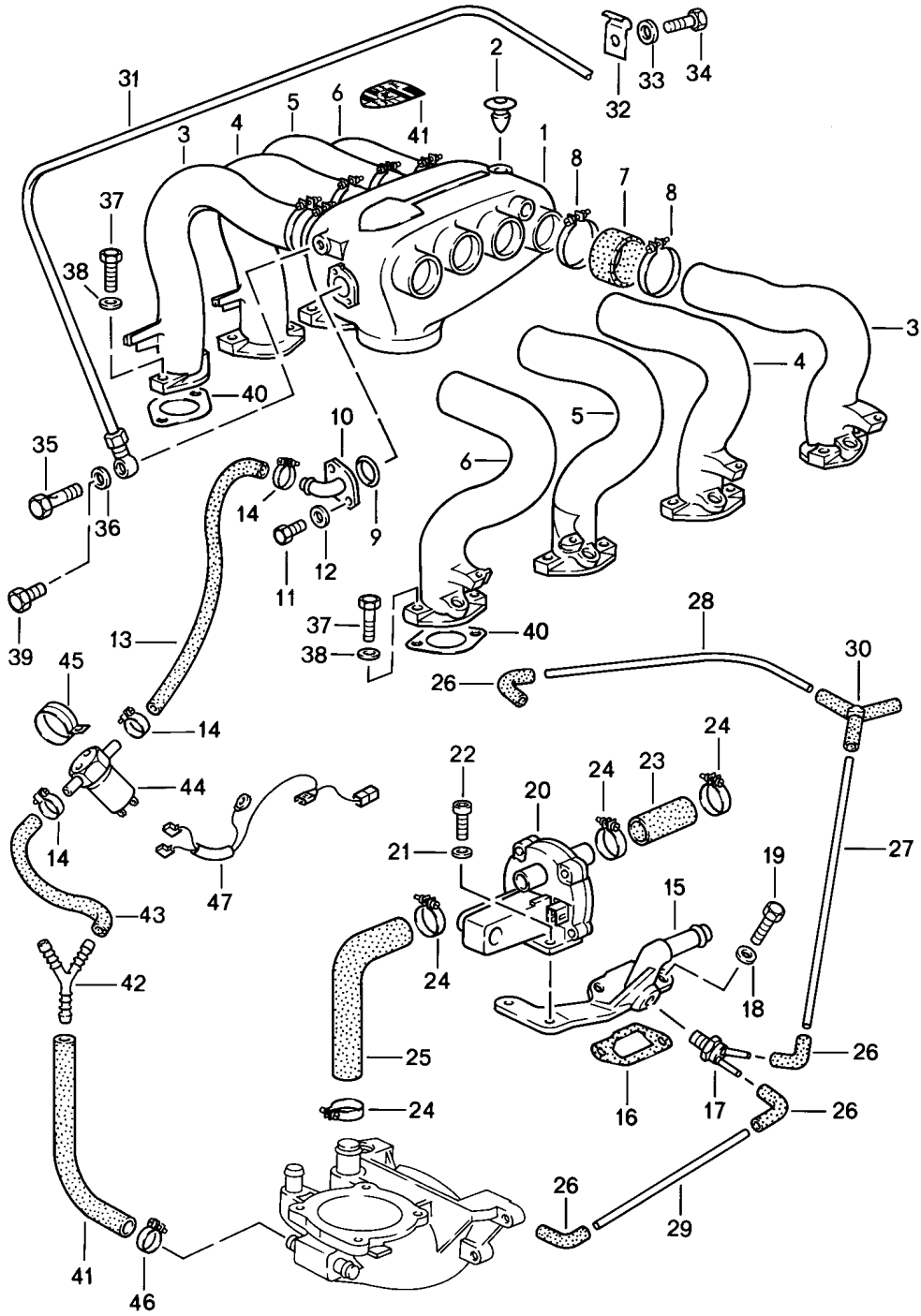
Model: 928 83

Model life 1983>>1986

Pos	Part Number	Description	Remark	Qty	Model
28	900 075 057 03	M 6 X 12 Hexagon-head bolt		8	
29	928 110 198 01	M 6 X 12 Pressure regulator		2	
30	928 110 374 05	Fuel line		1	
31	928 110 419 01	Distributor line		1	
32	911 606 107 01	Start valve		1	
33	999 701 395 50	O-ring 7 X 2 B		1	
34	900 067 009 02	Pan-head screw M 6 X 15		2	
34	900 067 429 01	Pan-head screw M 6 X 15		2	
35	900 123 115 30	Sealing ring 8 X 11,5		2	
36	911 110 899 00	Banjo bolt		1	
37	900 915 005 02	Connection piece		2	
38	900 123 018 30	Sealing ring		2	
39	928 606 125 01	Temperature sensor		1	
40	900 123 101 30	Sealing ring		1	
41	928 573 727 02	Distributing piece		1	
-	N 020 139 1	Hose 4 X 1		*	
42		90 MM		1	
43		180 MM		1	
44		270 MM		2	M28.19
45		360 MM		1	M28.20
46	928 574 717 02	Moulded hose		3	
47	928 110 449 01	Bracket		1	
-	928 110 903 00	Repair kit		8	

Model: 928 83

Model life 1983>>1986



Model: 928 83

Model life 1983>>1986

Pos	Part Number	Description	Remark	Qty	Model
		L-jetronic 3	-84 (CDN) (USA) (J)		M28.19/20
1	928 110 056 02	Intake distributor		1	
2	999 703 165 40	Stopper		1	
3	928 110 213 01	Intake manifold Cylinder 1 And Cylinder 8		2	
4	928 110 214 00	Intake manifold Cylinder 2 And Cylinder 7		2	
5	928 110 215 01	Intake manifold Cylinder 3 And Cylinder 6		2	
6	928 110 216 00	Intake manifold Cylinder 4 And Cylinder 5		2	
7	928 110 158 01	Rubber sleeve		8	
8	999 512 348 02	Hose clamp 40-60/9		16	
9	999 701 210 40	O-ring 20 X 2,5		1	
9	999 701 210 4A	O-ring 20 X 2,5		1	
10	928 110 168 00	Adapter		1	
11	900 075 145 02	Hexagon-head bolt M 5 X 16		2	
12	900 025 003 02	Washer A 5,3		2	
-	N 020 359 1	Hose 290 MM		*	
13				1	
14	N 023 570 2	Hose clamp S 15/9		2	
15	928 104 061 01	Adapter Cylinders 1 - 4		1	
16	928 106 197 02	Gasket		1	
17	058 131 851 A	Thermo valve		1	
18	900 025 007 02	Washer A 8,4		2	
18	900 025 007 03	Washer A 8,4		2	
19	900 075 079 02	Hexagon-head bolt M 8 X 22		2	
20	928 606 102 02	Auxiliary air regulator		1	
21	N 011 524 7	Washer A 6,4		2	
21	N 011 524 27	Washer A 6,4		2	
22	N 014 740 2	Pan-head screw M 6 X 16		2	
22	N 014 740 11	Pan-head screw M 6 X 16		2	
23	999 239 009 40	Hose		*	
24	999 512 552 00	Hose clamp S 25/9		4	
24	999 512 552 01	Hose clamp S 25/9		4	
25	928 110 442 00	Hose		1	
26	928 574 717 02	Moulded hose		4	

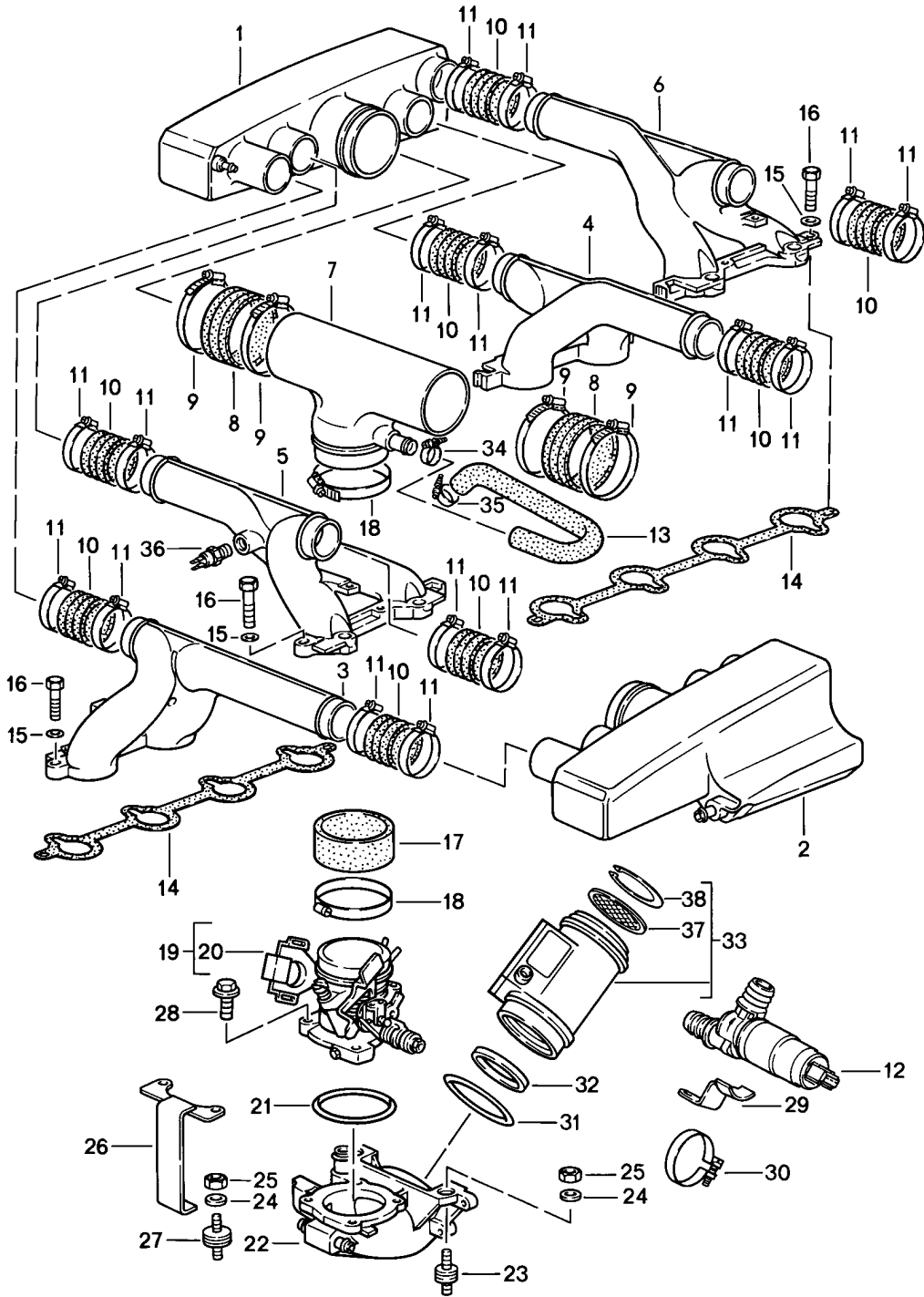
Model: 928 83

Model life 1983>>1986

Pos	Part Number	Description	Remark	Qty	Model
-	N 020 139 1	Hose		*	
27		360 MM		1	
28		430 MM		1	M28.19
(28)		720 MM		1	M28.20
29		450 MM		1	
30	928 573 727 02	Distributing piece		1	
31	928 110 087 01	Vacuum line	AUT.	1	
32	900 264 001 02	Pipe clamp	AUT.	1	
33	N 011 524 7	Washer	AUT.	1	
		A 6,4			
33	N 011 524 27	Washer	AUT.	1	
		A 6,4			
34	999 072 005 09	Hexagon nut	AUT.	1	
		M 6 X 12			
34	999 072 005 01	Hexagon nut	AUT.	1	
		M 6 X 12			
35	911 110 899 00	Banjo bolt	AUT.	1	
36	900 123 115 30	Sealing ring	AUT.	2	
		A 8 X 11,5			
37	N 010 335 5	Hexagon-head bolt		16	
		M 8 X 35			
37	900 075 032 03	Hexagon-head bolt		16	
		M 8 X 35			
38	900 025 007 02	Washer		16	
		A 8,4			
38	900 025 007 03	Washer		16	
		A 8,4			
39	900 083 047 02	Hexagon-head bolt		1	
		M 8 X 1 X 10			
40	928 110 330 03	Gasket		8	
-	999 239 011 40	Hose		*	
		12 X 9			
41		220 MM			
42	928 110 273 00	Y-piece		1	
-	N 020 359 1	Hose		*	
		9 X 2,5			
43		150 MM			
44	928 606 215 01	Electric air valve		1	
45	999 511 124 02	Pipe clamp		1	
45	999 511 124 01	Clip		1	
46	900 272 003 02	Hose clamp		1	
46	999 512 554 00	Hose clamp		1	
47	928 612 181 00	Wiring harness		1	

Model: 928 83

Model life 1983>>1986



Model: 928 83

Model life 1983>>1986

Pos	Part Number	Description	Remark	Qty	Model
		Lh-jetronic	85-		M28.43/44
		1	86		M28.45/46
1	928 110 554 02	Intake distributor Cylinders 1 - 4		1	
2	928 110 056 21	Intake distributor Cylinders 5 - 8		1	
3	928 110 636 00	Intake manifold Cylinder 1		1	
		And Cylinder 2			
4	928 110 636 01	Intake manifold Cylinder 3		1	
		And Cylinder 4			
5	928 110 635 00	Intake manifold Cylinder 5		1	
		And Cylinder 6			
6	928 110 635 01	Intake manifold Cylinder 7		1	
		And Cylinder 8			
7	928 110 119 01	Connecting tube		1	
8	928 110 347 00	Rubber sleeve		2	
9	999 512 350 02	Hose clamp		4	
10	928 110 343 00	Rubber sleeve		8	
11	999 512 349 02	Hose clamp		16	
11	999 512 349 01	Hose clamp		16	
11	999 512 349 0B	Hose clamp		16	
12	928 606 161 00	Idle-speed adjuster		1	
13	928 110 174 08	Connecting hose		1	
14	928 110 566 01	Gasket		2	
14	928 110 566 04	Gasket		2	
		M >> 81G 00450			M28.43
		M >> 81G 05899			M28.44
		M >> 89G 00094			M28.45
		M >> 89G 05153			M28.46
(14)	928 110 568 00	Gasket		4	
		M 81G 00451 >>			M28.43
		M 81G 05900 >>			M28.44
		M 89G 00095 >>			M28.45
		M 89G 05154 >>			M28.46
15	900 025 054 0A	Washer A 8,4		10	
16	N 010 335 5	Hexagon-head bolt M 8 X 35		8	
16	900 075 032 03	Hexagon-head bolt M 8 X 35		8	
17	928 110 248 03	Rubber sleeve		1	
18	999 512 539 00	Hose clamp		2	
19	928 110 099 14	Flap-Nozzle		1	
20	944 606 113 01	Throttle-valve switch		1	
21	999 701 436 40	O-ring 91 X 4		1	
22	928 110 098 05	Air guide housing		1	
23	928 110 191 00	Bonded rubber buffer		2	
23	999 703 261 00	Bonded rubber buffer		2	
(23)	928 110 191 03	Bonded rubber buffer		1	
24	N 011 524 7	Washer A 6,4		4	
24	N 011 524 27	Washer A 6,4		4	
25	900 076 010 02	Nut		4	

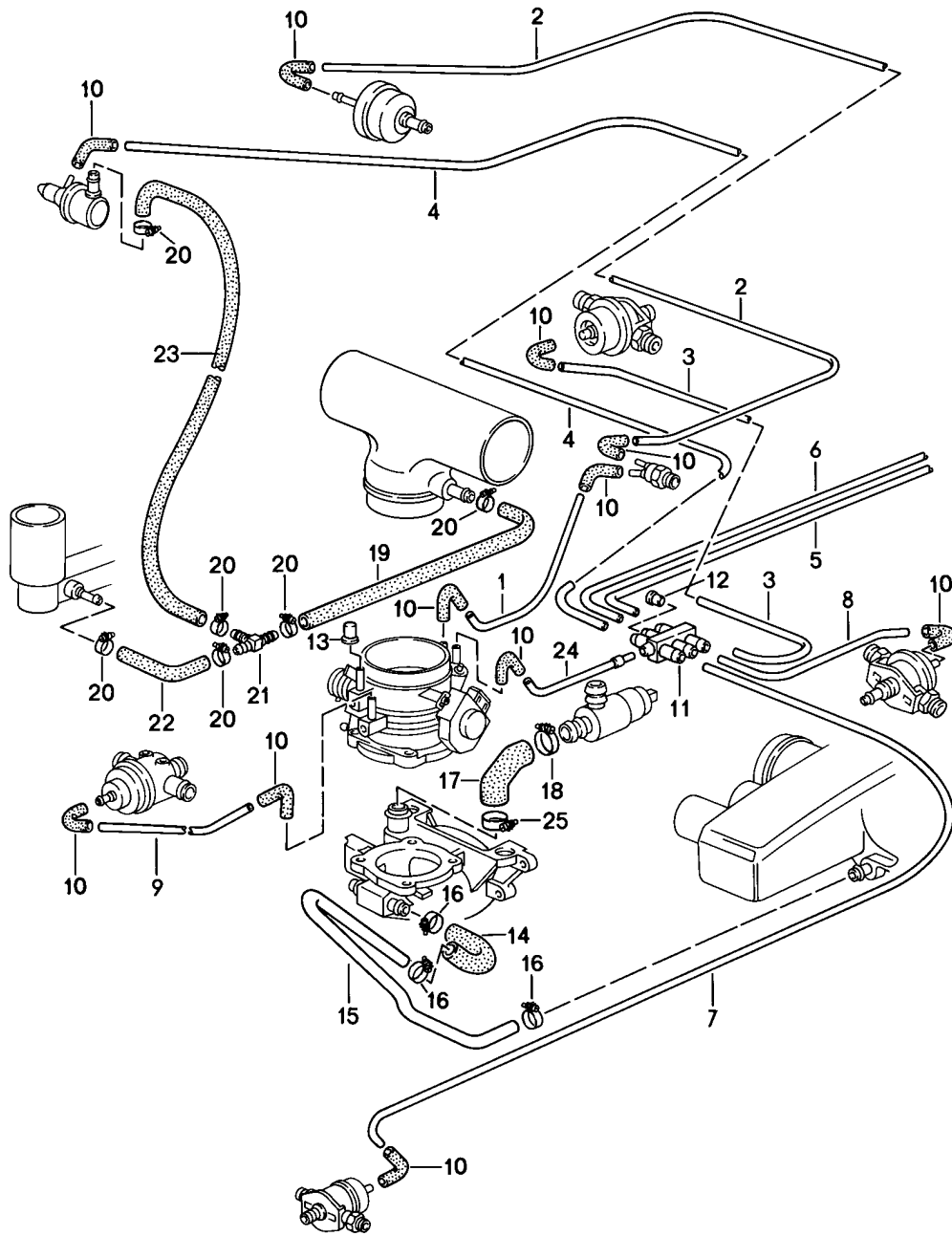
Model: 928 83

Model life 1983>>1986

Pos	Part Number	Description	Remark	Qty	Model
25	900 076 010 0B	M 6 Nut		4	
26	928 110 287 05	M 6 Retaining bracket		1	
27	930 110 579 01	Bonded rubber buffer		1	
27	999 703 265 00	Bonded rubber buffer		1	
28	900 075 341 02	Combination screw M 6 X 25		4	
28	900 075 341 01	Combination screw M 6 X 25		4	
29	928 110 409 05	Retaining bracket		1	
30	999 512 369 02	Clamp		1	
30	999 512 369 0B	Clamp		1	
31	999 701 699 40	Sealing ring		1	
32	999 701 183 50	Sealing ring		1	
33	928 606 141 00	Mass air flow meter		1	
34	999 512 552 00	Hose clamp		1	
34	999 512 552 01	Hose clamp		1	
35	999 512 374 02	Hose clamp		1	
36	928 606 217 00	Temperature switch		1	
37	928 110 901 00	Strainer		2	
38	928 110 902 00	Circlip		2	

Model: 928 83

Model life 1983>>1986



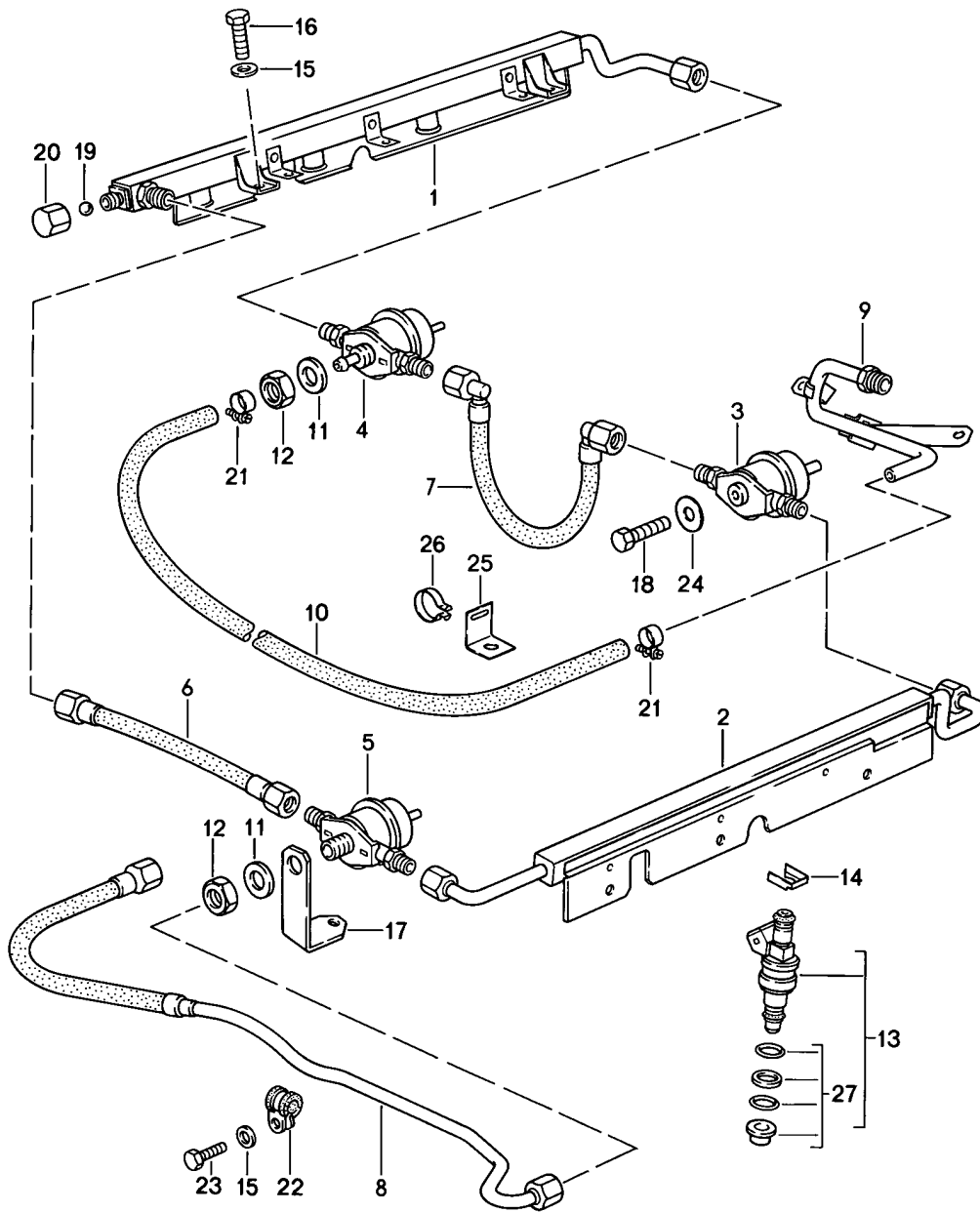
Model: 928 83

Model life 1983>>1986

Pos	Part Number	Description	Remark	Qty	Model
-	N 020 139 1	Lh-jetronic 2 Hose 4 X 1	85- 86	*	M28.43/44 M28.45/46
1		350 MM		1	
2		330 MM		1	
3		220 MM		1	
4		650 MM		1	
5		1270 MM		1	
6		450 MM		1	M28.44/46
7		605 MM		1	
8		220 MM		1	
9		500 MM		1	
10	928 574 717 02	Moulded hose		10	
11	928 110 441 02	Distributing piece		1	
12	900 312 012 02	Stopper		1	M28.43/45
12	900 312 042 01	Stopper		1	M28.43/45
13	930 110 292 00	Stopper		1	
14	928 110 761 01	Hose elbow		1	
15	928 110 759 01	Pipeline		1	
16	999 512 554 00	Hose clamp SGT 12 - 22/9		3	
17	928 110 442 05	Hose elbow		1	
18	999 512 374 02	Hose clamp SGT 20 - 32		1	
19	928 110 602 00	Hose		1	
20	N 023 570 2	Hose clamp A 9/15 ZY		6	
21	999 137 044 40	T-piece		1	
22	928 107 601 00	Hose		1	
23	928 110 673 00	Hose		1	
24	928 110 014 00	Pipeline 5 X 1 X 300		1	
25	999 512 552 00	Hose clamp S 25/9 ZY		1	
25	999 512 552 01	Hose clamp S 25/9 ZY		1	

Model: 928 83

Model life 1983>>1986



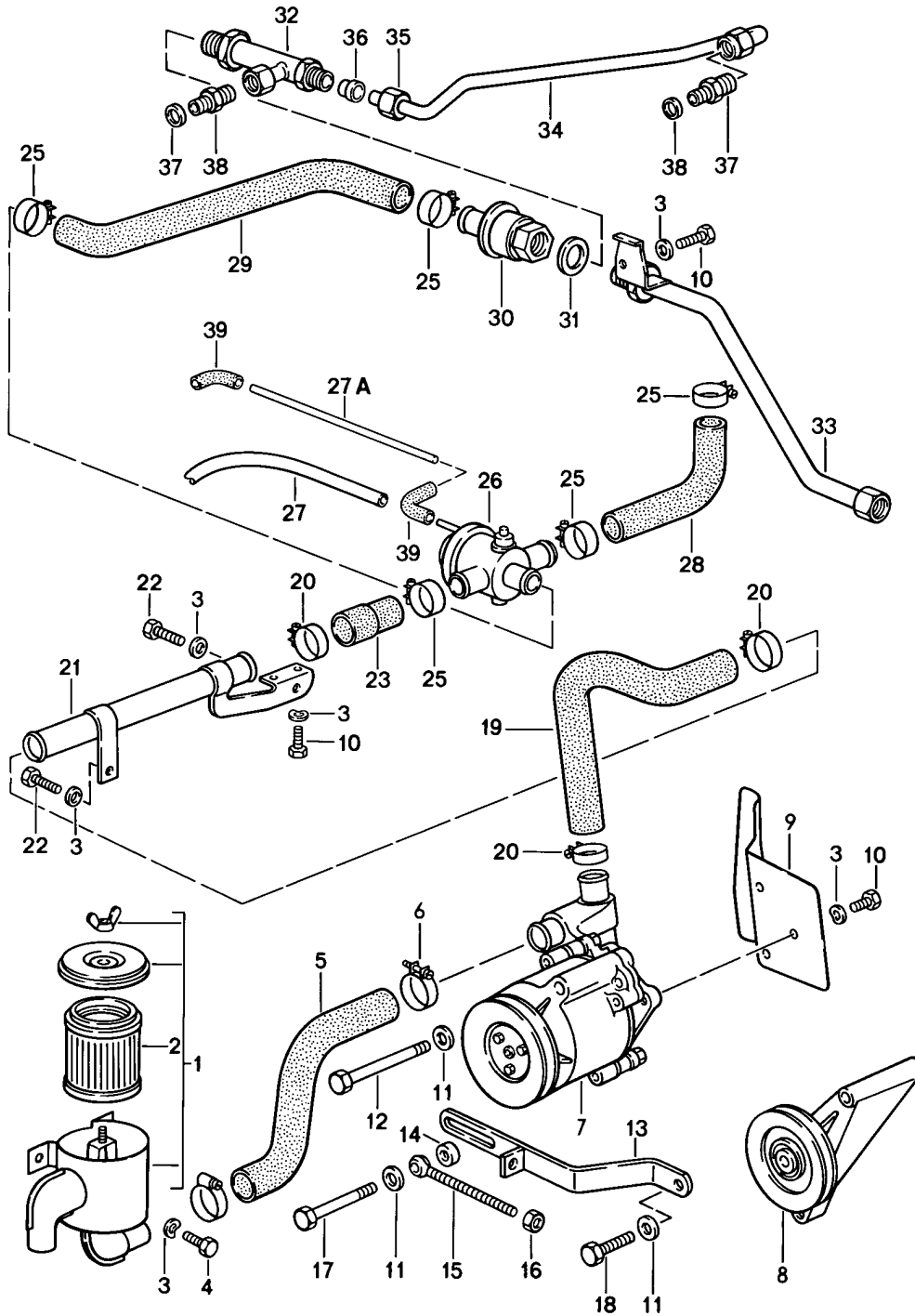
Model: 928 83

Model life 1983>>1986

Pos	Part Number	Description	Remark	Qty	Model
		Lh-jetronic 3 See technical information GRP.2 NR.1/85	85- 86		M28.43/44 M28.45/46
1	928 110 080 11	Distributor injection tube	/R	1	
2	928 110 079 11	Distributor injection tube	/L	1	
3	930 110 602 00	Diaphragm damper		1	
4	928 110 198 01	Pressure regulator		1	
5	928 110 202 00	Diaphragm damper		1	
6	928 110 269 01	Fuel hose		1	
7	928 110 271 00	Fuel hose		1	
8	928 110 367 14	Fuel line		1	
		Feed line			
9	928 110 369 13	Fuel line		1	
		Return line			
10	999 181 152 50	Fuel hose		*	
		440 MM		*	
11	900 025 020 02	Washer A 17		2	
12	900 034 013 02	Hexagon nut M 16 X 1,5		2	
12	900 034 013 01	Hexagon nut M 16 X 1,5		2	
13	928 606 120 00	Injector valve		8	
14	930 110 388 01	Retaining clip		8	
15	N 011 524 7	Washer A 6,4		5	
15	N 011 524 27	Washer A 6,4		5	
16	900 075 355 0A	Hexagon-head bolt M 6 X 16		4	
17	928 110 525 01	Support		1	
18	N 010 237 6	Hexagon-head bolt M 8 X 12		1	
18	N 010 237 14	Hexagon-head bolt M 8 X 12		1	
19	900 108 022 00	Ball 9 MM		1	
20	928 110 475 01	Cap nut M 12 X 1,5		1	
20	928 110 475 03	Cap nut M 12 X 1,5		1	
20	928 110 475 04	Cap nut M 12 X 1,5		1	
21	999 512 160 02	Hose clamp S 13/9		2	
21	PCG 512 160 02	Hose clamp S 13/9		2	
22	999 511 116 02	Clamp		1	
		Hexagon-head bolt		1	
22	999 511 116 03	Clamp		1	
		Hexagon-head bolt		1	
23	999 072 005 09	Hexagon nut		1	
23	999 072 005 01	Hexagon nut		1	
24	944 110 312 00	Washer		1	
25	477 971 881 A	Retaining bracket		1	
26	113 142 261 A	Clip		1	
27	944 110 901 00	Gasket		8	

Model: 928 83

Model life 1983>>1986



Model: 928 83 Model life 1983>>1986

Pos	Part Number	Description	Remark	Qty	Model
1	928 113 145 00	Air injection		1	
2	928 113 445 00	Air cleaner		1	
3	N 011 524 7	Filter cartridge		9	
		Washer			
		A 6,4			
3	N 011 524 27	Washer		9	
		A 6,4			
4	900 075 310 02	Hexagon-head bolt		4	
		M 6 X 12SB			
5	928 113 155 00	Moulded hose		1	
6	999 512 044 02	Hose clamp		2	
		SR 32/ZY			
7	928 113 017 00	Air pump		1	M28.19/20 M28.21/22 M28.43/44 M28.45/46
9	928 113 125 05	Cover plate		1	
10	999 072 005 09	Hexagon nut		6	
		M 6 X 12			
10	999 072 005 01	Hexagon nut		6	
		M 6 X 12			
11	900 025 007 02	Washer		3	
		A 8,4			
11	900 025 007 03	Washer		3	
		A 8,4			
12	900 074 049 02	Screw		1	
		M 8 X 110			
13	928 113 113 10	Strut		1	
		for			
		Air pump			
14	999 025 075 02	Washer		1	
		8,5 X 19 X 6			
15	999 460 002 02	Eye screw		1	
16	900 076 025 02	Hexagon nut		1	
		M 8			
16	900 076 064 02	Hexagon nut		1	
		M 8			
17	900 075 033 02	Stud		1	
		M 8 X 40			
17	900 075 033 03	Stud		1	
		M 8 X 40			
18	900 075 079 02	Hexagon-head bolt		1	
		M 8 X 22			
(19)	928 113 139 09	Hose		1	
(19)	928 113 139 07	Hose		1	M28.43/44 M28.45/46
20	999 512 038 02	Hose clamp		3	
20	PCG 512 038 02	Hose clamp		3	
21	928 113 141 03	Air tube		1	
22	900 075 057 02	Hexagon-head bolt		2	
		M 6 X 16			
22	900 075 057 03	Hexagon-head bolt		2	
		M 6 X 16			
23	928 113 149 00	Hose		1	
25	PCG 512 237 02	Hose clamp		5	
		S 26/9			
26	930 113 147 01	Diverter valve		1	
-	999 239 003 40	Hose		*	
		3,2 X 7			
27		400 MM		1	
-	N 020 139 1	Hose		*	
27A		430 MM		1	
28	928 113 159 02	Hose		1	

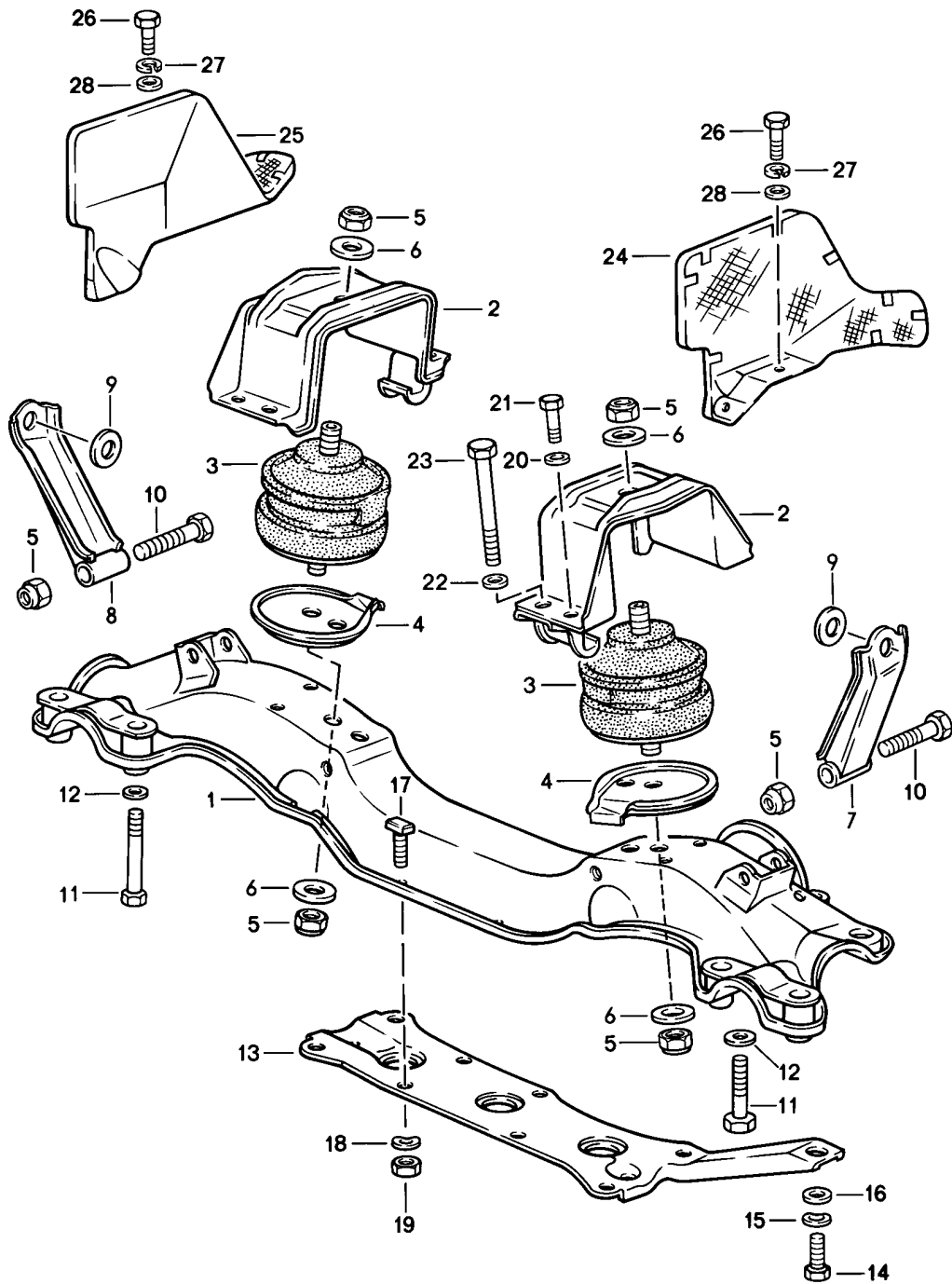
Model: 928 83

Model life 1983>>1986

Pos	Part Number	Description	Remark	Qty	Model
(28)		Air cleaner Hose		1	M28.43/44 M28.45/46
(29)	928 113 140 05	Air cleaner Hose		1	M28.19/20
30	911 113 115 01	Check valve		1	
31	900 123 060 30	Check valve Sealing ring A 24 X 29		1	
33	928 113 146 01	Air tube		1	M28.19/20
(33)	928 113 146 03	Air tube	85-	1	M28.43/44
39	928 574 717 02	Moulded hose		2	

Model: 928 83

Model life 1983>>1986



Model: 928 83 Model life 1983>>1986

Pos	Part Number	Description	Remark	Qty	Model
1	928 375 011 06	Engine suspension			
1		Engine carrier	/LL -85	1	
1		Engine carrier	/LL	1	
2	928 375 069 01	Engine bracket		2	
3	928 375 039 00	Hydraulic mount		2	
4	928 375 371 00	Stop plate		2	
5	900 910 046 02	Lock nut		4	
		M 12 X 1,5			
5	999 084 439 09	Lock nut		4	
		M 12 X 1,5			
5	999 084 445 09	Lock nut		4	
		M 12 X 1,5			
5	999 084 445 01	Lock nut		4	
		M 12 X 1,5			
6	999 025 091 02	Washer		4	
7	928 375 063 00	Bracket	/L	1	
8	928 375 064 00	Bracket	/R	1	
9	928 375 211 00	Washer		2	
10	N 010 156 3	Hexagon-head bolt		2	
		M 12 X 1,5 X 70			
11	N 010 455 3	Hexagon-head bolt		2	
		M 10 X 55			
12	928 375 212 00	Washer		2	
13	928 375 109 01	Reinforcement plate	/LL	1	
14	900 075 043 02	Hexagon-head bolt	/LL	1	
		M 10 X 30			
15	900 025 008 09	Washer	/LL	1	
		B 10			
15	900 025 008 04	Washer	/LL	1	
		B 10			
16	900 223 011 01	Washer	/LL	1	
		B 10,5			
16	900 223 011 02	Washer	/LL	1	
		B 10,5			
17	928 375 125 00	T-headed screw		4	
18	N 012 241 8	Spring washer		4	
		B 8			
19	900 910 022 02	Lock nut		4	
		M 8			
20	900 025 007 02	Washer		4	
		A 8,4			
20	900 025 007 03	Washer		4	
		A 8,4			
21	N 010 335 5	Hexagon-head bolt		4	
		M 8 X 35			
21	900 075 032 03	Hexagon-head bolt		4	
		M 8 X 35			
22	052 103 377	Washer		4	
23	N 010 482 3	Hexagon-head bolt		4	
		M 10 X 105			
24	928 375 067 01	Heat shield	/L	1	
25	928 375 068 01	Heat shield	/R	1	
26	900 075 057 02	Hexagon-head bolt		4	
		M 6 X 16			
26	900 075 057 03	Hexagon-head bolt		4	
		M 6 X 16			
27	N 012 006 4	Lock ring		4	
		B 6			
28	900 223 003 02	Washer		4	
		6,4			

Model: 928 83

Model life 1983>>1986



Model: 928 83

Model life 1983>>1986

Pos	Part Number	Description	Remark	Qty	Model
>>	928 100 901 01	Maintenance set Gasket set Repair kit Gasket set		1	M28.11/12/19 M28.20/21/22
-	900 123 115 30	Engine Comprising: Sealing ring A 8 X 11,5		4	
-	900 123 033 20	Sealing ring A 10 X 13,5 CU		17	
-	900 123 005 20	Sealing ring A 12 X 16		2	
-	900 123 118 30	Sealing ring A 22 X 27		3	
-	999 113 275 40	Shaft sealing ring A 20 X 30 X 7		1	
-	900 123 007 30	Sealing ring A 14 X 18		2	
-	900 123 149 70	Sealing ring A 22 X 29		1	
-	900 123 015 30	Sealing ring A 30 X 36		1	
-	900 123 018 30	Sealing ring A 16 X 20		4	
-	900 123 140 30	Sealing ring A 18 X 22		13	
-	900 123 115 30	Sealing ring A 8 X 11,5		3	
-	900 123 055 30	Sealing ring A 12 X 16		2	
-	900 123 060 30	Sealing ring A 24 X 29		2	
-	900 123 143 70	Sealing ring A 48 X 55		1	
-	928 104 193 12	Valve stem seal		16	
-	928 104 193 13	Valve stem seal		16	
-	964 104 111 07	Valve stem seal		16	
-	928 101 207 00	Oil sump gasket		1	
-	928 104 361 07	Cylinder head gasket Cylinders 1 - 4		1	
-	928 104 362 07	Cylinder head gasket Cylinders 5 - 8		1	
-	928 105 184 00	Sealing ring		2	
-	928 105 184 01	Sealing ring		2	
-	928 105 189 02	Gasket		2	
-	944 105 199 03	Gasket Camshaft housing		2	
-	928 106 134 05	Gasket		1	
-	928 106 134 06	Gasket		1	
-	928 106 197 04	Gasket Regulator housing		2	
-	928 107 136 04	Sealing ring		1	
-	928 107 707 04	Gasket		1	
-	928 107 711 00	Gasket		1	
-	928 110 330 03	Gasket		8	
-	928 111 193 12	Gasket		8	
-	928 113 179 01	Gasket		2	
-	928 602 103 00	Sealing ring		1	
-	928 603 135 01	Sealing ring		1	
-	928 606 213 03	Gasket		1	
-	930 110 122 00	Sealing ring		1	
-	930 110 394 00	Gasket		1	

Model: 928 83

Model life 1983>>1986

Pos	Part Number	Description	Remark	Qty	Model
-	999 113 264 40	Radial sealing ring 90 X 110 X 12		1	
-	999 113 461 40	Radial sealing ring 90 X 110 X 12		1	
-	999 113 426 40	Radial sealing ring 90 X 110 X 12		1	
-	999 113 426 41	Radial sealing ring 90 X 110 X 12		1	
-	999 113 263 40	Shaft sealing ring 60 X 85 X 10		1	
-	999 113 282 40	Shaft sealing ring 30 X 47 X 7		2	
-	999 701 210 40	O-ring 20 X 2,5		1	
-	999 701 210 4A	O-ring 20 X 2,5		1	
-	999 701 395 50	O-ring 7 X 2		1	
-	999 701 425 40	O-ring 50 X 4		1	
-	999 701 633 40	O-ring 98 X 3		1	
-	999 701 436 40	O-ring 91 X 4 X 63		1	
-	928 107 169 01	Gasket 29,2 X 3		1	
-	999 701 592 40	O-ring 23 X 2		2	
-	999 701 602 40	O-ring 50 X 5		2	
-	999 701 627 40	O-ring 53 X 7		1	
-	999 701 632 40	O-ring 65 X 5		1	
>>	928 100 901 02	Gasket set Engine Comprising:		1	M28.43/44 M28.45/46
-	900 123 118 30	Sealing ring A 22 X 27		3	
-	999 113 275 40	Shaft sealing ring A 20 X 30 X 7		1	
-	900 123 007 30	Sealing ring A 14 X 18		2	
-	900 123 149 70	Sealing ring A 22 X 29		1	
-	900 123 050 30	Sealing ring A 8 X 11,5		3	
-	900 123 055 30	Sealing ring A 12 X 16		2	
-	900 123 060 30	Sealing ring A 24 X 29		2	
-	900 123 143 70	Sealing ring A 48 X 55		1	
-	928 104 601 07	Valve stem seal		32	
-	928 101 207 00	Oil sump gasket		1	
-	928 104 367 02	Cylinder head gasket Cylinders 1 - 4		1	
-	928 104 368 02	Cylinder head gasket Cylinders 5 - 8		1	
-	928 106 134 03	Gasket		1	
-	928 106 227 00	Gasket		2	
-	928 107 136 04	Sealing ring		1	

Model: 928 83 Model life 1983>>1986

Pos	Part Number	Description	Remark	Qty	Model
-	928 107 303 07	Filler neck		1	
-	999 701 653 40	O-ring		1	
-	928 110 566 01	Gasket		2	
-	928 110 568 00	Gasket		4	
-	944 111 205 00	Sealing ring		8	
-	928 606 213 03	Gasket		1	
-	928 110 243 02	Connecting hose		1	
-	999 113 264 40	Radial sealing ring 90 X 110 X 12		1	
-	999 113 461 40	Radial sealing ring 90 X 110 X 12		1	
-	999 113 426 40	Radial sealing ring 90 X 110 X 12		1	
-	999 113 426 41	Radial sealing ring 90 X 110 X 12		1	
-	928 603 135 03	Sealing ring		1	
-	999 113 263 40	Shaft sealing ring 60 X 85 X 10		1	
-	999 113 282 40	Shaft sealing ring		2	
-	999 701 633 40	O-ring 98 X 3		1	
-	999 701 436 40	O-ring 91 X 4 X 63		1	
-	928 107 169 01	Gasket		1	
-	999 701 627 40	O-ring 53 X 7		1	
-	999 701 632 40	O-ring 65 X 5		1	
-	N 043 811 1	Sealing ring C 38 X 44		2	
-	928 105 319 02	Sealing ring		6	
-	928 106 167 01	Gasket		2	
-	999 701 731 40	O-ring		22	
-	900 123 050 30	Sealing ring		6	
-	928 104 447 06	Gasket		2	
-	928 104 443 08	Sealing ring		8	
-	900 174 044 40	Round seal		1	
>>	928 104 903 00	Gasket set		1	M28.43/44 M28.45/46
		Gasket set Comprising:			
-	928 104 367 02	Cylinder head gasket		1	
-	928 104 368 02	Cylinder head gasket		1	
-	928 105 215 00	Lid		6	
-	928 105 205 00	Support		6	
-	900 123 050 30	Sealing ring		8	
-	999 113 282 40	Shaft sealing ring		2	
-	944 111 205 00	Sealing ring		8	
-	928 110 566 01	Gasket		2	
-	928 110 568 00	Gasket		4	
-	999 701 731 40	O-ring		22	
-	928 104 447 06	Gasket		2	
-	928 104 443 08	Sealing ring		8	
-	928 104 417 02	Washer		22	
-	928 106 227 00	Gasket		2	
>>	928 101 901 02	Set of crankshaft bearings 1 set		1	
		Comprising:			
-	928 101 115 02	Main bearing shell		3	
	928 101 115 02 002				
-	928 101 115 03	Main bearing shell		3	
	928 101 115 03 002				
-	928 101 115 15	Main bearing shell		3	

Model: 928 83 Model life 1983>>1986

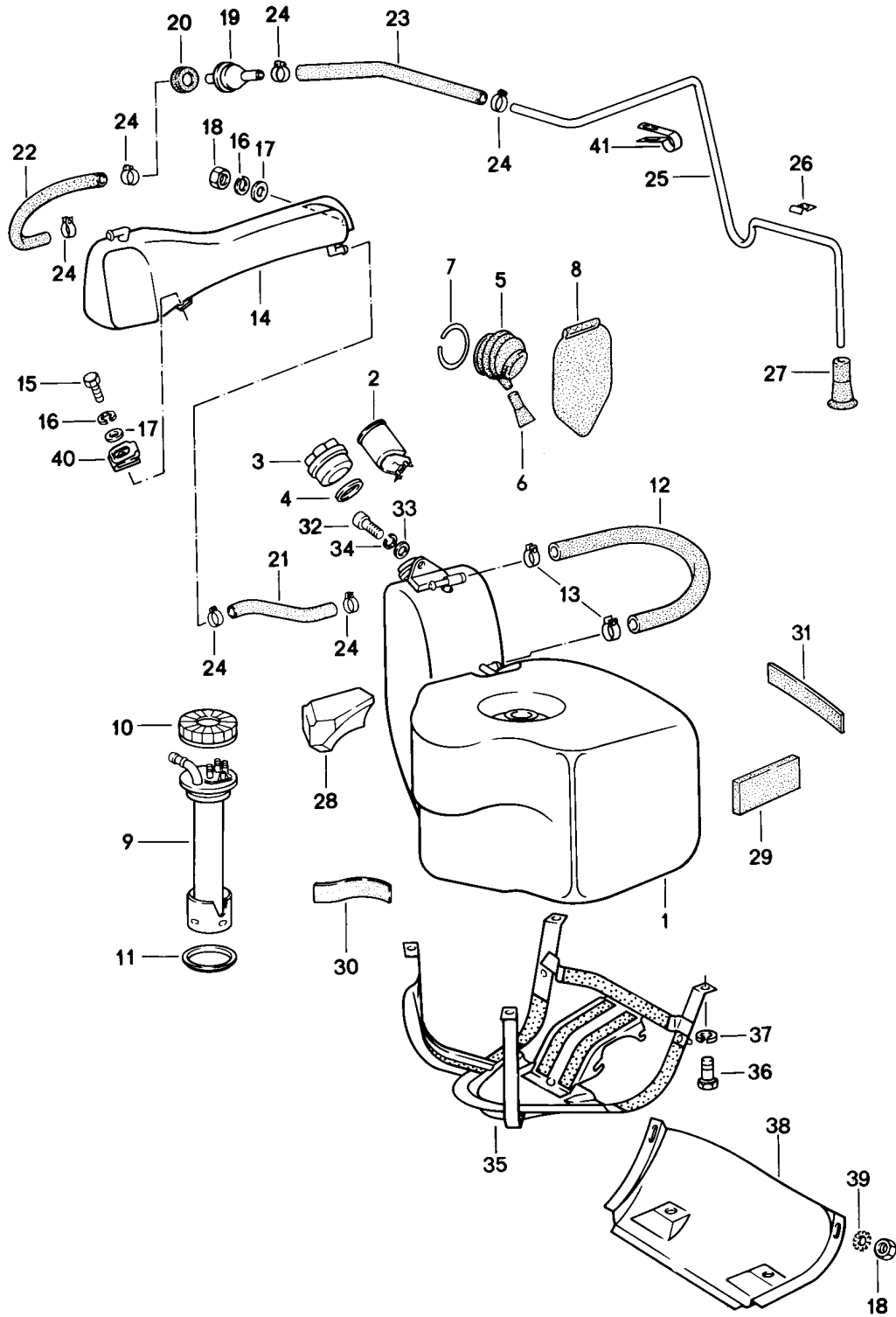
Pos	Part Number	Description	Remark	Qty	Model
-	928 101 115 16	Set Standard Comprising: Lower half 2,4,5 Upper half 2,4,5 Main bearing shell		3	
-	928 101 133 03	Set Standard Comprising: Lower half 2,4,5 Upper half 2,4,5 Thrust bearing		2	
-	928 101 117 08	Main bearing bush i		1	
>>	928 101 901 52	Set of crankshaft bearings 1 set Undersize 0.25 mm Comprising:		1	
-	928 101 115 50	Main bearing shell		3	
-	928 101 115 51	Main bearing shell		3	
-	928 101 133 53	Thrust bearing		2	
-	928 101 117 58	Main bearing bush i		1	
>>	928 101 901 62	Set of crankshaft bearings 1 set Undersize 0.50 mm Comprising:		1	
-	928 101 115 60	Main bearing shell Upper half 2,4,5		3	
-	928 101 115 61	Main bearing shell		3	
-	928 101 133 63	Thrust bearing		2	
-	928 101 117 68	Main bearing bush i		1	
>>	928 101 901 07	Set of crankshaft bearings 1 set Comprising:		1	
-	928 101 115 02	Main bearing shell		3	
-	928 101 115 02 002				
-	928 101 115 03	Main bearing shell		3	
-	928 101 115 03 002				
-	928 101 115 15	Main bearing shell		3	
-	928 101 115 16	Set Standard Comprising: Lower half 2,4,5 Upper half 2,4,5 Main bearing shell		3	
-	928 101 142 02	Set Standard Comprising: Lower half 2,4,5 Upper half 2,4,5 Thrust bearing		2	
-	928 101 142 02 002				
-	928 101 117 08	Main bearing bush i		1	
>>	928 101 901 57	Set of crankshaft bearings 1 set Undersize 0.25 mm Comprising:		1	
-	928 101 115 50	Main bearing shell		3	
-	928 101 115 51	Main bearing shell		3	
-	928 101 142 54	Thrust bearing		2	
-	928 101 117 58	Main bearing bush i		1	
>>	928 101 901 67	Set of crankshaft bearings 1 set Undersize 0.50 mm		1	

Model: 928 83 Model life 1983>>1986

Pos	Part Number	Description	Remark	Qty	Model
-	928 101 115 60	Comprising: Main bearing shell		3	
		Upper half 2,4,5			
-	928 101 115 61	Main bearing shell		3	
-	928 101 142 64	Thrust bearing		2	
-	928 101 117 68	Main bearing bush i		1	
>>	928 100 931 05	Maintenance set		1	M28.21/22 -46 M28.43
		for Periodic maintenance			
		Comprising:			
-	999 170 156 90	Spark plug		8	
-	928 107 201 05	Oil filter		1	
-	928 107 201 07	Oil filter	-(IND)	1	
		Red			
-	900 123 011 30	Sealing ring		1	
-	928 110 253 06	Fuel filter		1	
-	928 110 185 01	Air cleaner cartridge		1	
-	928 113 445 00	Filter cartridge		1	
>>	928 100 931 04	Maintenance set		1	M28.19/20
		for Periodic maintenance			
		Comprising:			
-	999 170 062 90	Spark plug		8	
-	928 107 201 05	Oil filter		1	
-	928 107 201 07	Oil filter	-(IND)	1	
		Red			
-	900 123 011 30	Sealing ring		1	
-	928 110 253 06	Fuel filter		1	
-	928 110 185 01	Air cleaner cartridge		1	
>>	928 103 906 11	Set of piston rings		X	M28.11/12/19 M28.20/21/22
		1 set 97,00 MM			
>>	928 103 906 12	Set of piston rings		X	M28.11/12/19 M28.20/21/22
		1 set 97,50 MM			
>>	928 103 906 04	Set of piston rings		X	M28.43/44 M28.45/46
		1 set - ks - 100,00 MM			
>>	928 103 906 05	Set of piston rings		X	M28.43/44 M28.45/46
		1 set - ks - 100,50 MM			
>>	928 103 906 06	Set of piston rings		X	M28.43/44 M28.45/46
		1 set - ks - 101,00 MM			

Model: 928 83

Model life 1983>>1986



Model: 928 83 Model life 1983>>1986

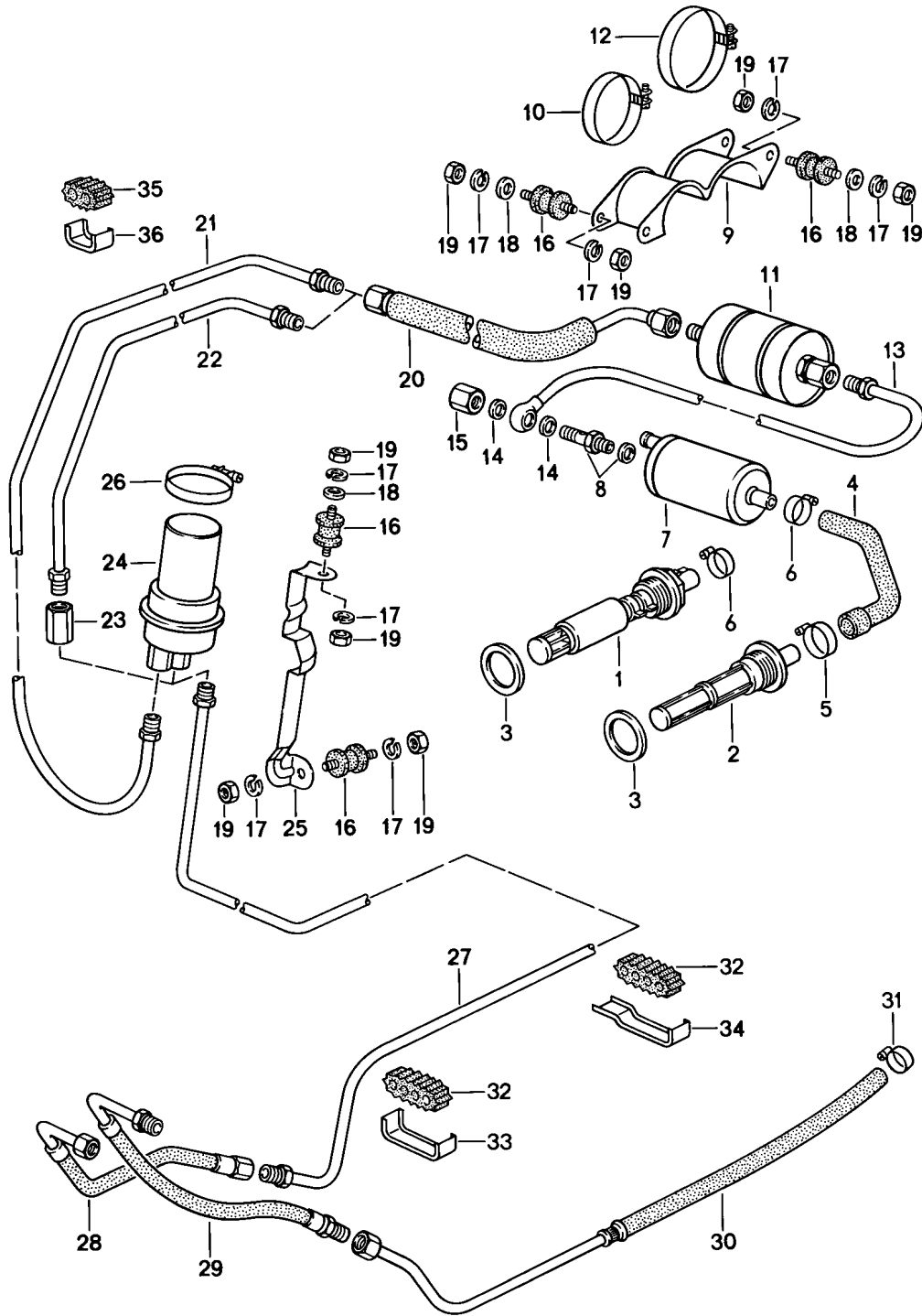
Pos	Part Number	Description	Remark	Qty	Model
1	928 201 003 08	Fuel tank Container Fuel tank for (USA) (CDN) Use also: POS.2		1	
2	928 201 027 03	Insert		1	
3	928 201 901 03	Fuel tank cap with stipulated lock number State lock number		1	
(3)	928 201 903 02	Fuel tank cap W/o stipulated lock number		1	
4	928 201 275 03	Sealing ring		1	
5	928 201 333 02	Grommet		1	
6	928 201 255 02	Drain bush		1	
7	900 906 046 00	Outer ring		1	
8	928 201 057 02	Protective flap Filler neck		1	
9	928 641 030 01	Tank gauge Fuel tank		1	
10	113 201 375	Union nut		1	
11	928 201 327 02	Gasket Tank gauge		1	
(12)	928 201 194 03	Hose		1	M553
(12)	928 201 194 04	Hose		1	M553
(12)	928 201 194 05	Hose		1	M553
13	N 023 565 3	Hose clamp S 21/9		2	
14	928 201 013 07	Expansion tank		1	
15	900 075 014 02	Hexagon-head bolt M 6 X 18		2	
15	900 075 014 03	Hexagon-head bolt M 6 X 18		2	
16	N 012 006 4	Lock ring B 6		2	
17	N 011 524 7	Washer A 6,4		2	
17	N 011 524 27	Washer A 6,4		2	
18	900 076 010 02	Nut M 6		4	
18	900 076 010 0B	Nut M 6		4	
19	928 201 083 02	Shut-off valve		1	
20	928 201 197 02	Grommet		1	
-	999 181 716 50	Hose 9,5 X 15,5		*	
21		250 MM		1	
22		580 MM		1	
23		640 MM		1	
24	N 023 569 2	Hose clamp AR 16/9 ZY		6	
24	PCG 023 569 2	Hose clamp AR 16/9 ZY		6	
28	928 201 107 02	Desk pad		1	
29	928 201 345 02	Spacer		1	
-	999 911 227 40	Base strap 210 MM		*	
30		290 MM		1	
31		290 MM		2	
32	N 014 707 2	Pan-head screw M 8 X 15		1	
32	900 067 131 03	Pan-head screw		1	

Model: 928 83 Model life 1983>>1986

Pos	Part Number	Description	Remark	Qty	Model
33	900 025 007 02	M 8 X 15 Washer		1	
33	900 025 007 03	A 8,4 Washer		1	
34	900 142 002 01	A 8,4 Lock ring		1	
35	928 201 313 03	A 8 Tank covering Lower		1	
(35)	928 201 313 04	F >>92DS8 41924 F >>92DS8 62068 Tank covering Lower		1	
36	N 010 246 4	F 92DS8 41925>> F 92DS8 62069>> Hexagon-head bolt M 8 X 45		4	
37	900 027 015 02	Lock ring B 8		4	
37	900 027 015 03	Lock ring B 8		4	
38	928 201 145 03	Lid Lower		1	
39	N 042 121 3	Shake-proof washer A 6,4		2	
40	999 507 328 02	Captive nut		1	
40	999 507 328 0B	Captive nut		1	
41	928 201 343 04	Clip		3	
-	928 201 373 03	Cover		1	

Model: 928 83

Model life 1983>>1986



Model: 928 83 Model life 1983>>1986

Pos	Part Number	Description	Remark	Qty	Model
2	928 201 081 04	Fuel system Fuel filter M 37 X 1,5		1	
3	928 201 187 02	Sealing ring		1	
4	928 356 550 05	Fuel hose		1	
5	999 512 346 00	Hose clamp A 20/9		1	
6	999 512 554 00	Hose clamp A 18/9		1	
(7)	928 608 104 01	Fuel pump		1	M28.19/20
8	893 906 093	Check valve		1	
9	928 356 151 01	Support		1	
10	999 512 394 00	Hose clamp		1	
11	928 110 147 05	Fuel filter	83	1	M28.11/12
11	928 110 253 06	Fuel filter		1	M28.19/20
12	999 512 276 02	Clamp		1	
12	999 512 276 0B	Clamp		1	
13	928 356 063 10	Fuel line		1	
13	928 356 063 11	Fuel line		1	
(13)	928 356 063 01	Fuel line See workshop manual 20.8		1	
14	900 123 005 20	Sealing ring A 12 X 16		2	
15	928 110 475 01	Cap nut		1	
15	928 110 475 03	Cap nut		1	
15	928 110 475 04	Cap nut		1	
16	944 610 115 00	Bonded rubber mounting		6	
17	N 012 006 4	Lock ring B 6		12	
18	N 011 666 7	Washer B 6,4		9	
19	900 076 010 02	Nut M 6		12	
19	900 076 010 0B	Nut M 6		12	
20	928 356 053 01	Fuel line		1	
22	928 356 057 00	Fuel line		1	
23	477 209 169	Connecting piece		2	
(27)	928 356 029 05	Fuel line To engine compartment	85	1	
(27)	928 356 029 08	Fuel line To engine compartment	86	1	M28.43/44 M28.45/46
(27)	928 356 029 12	Fuel line To engine compartment		1	M28.43/44 M28.45/46
28	928 356 079 00	Fuel hose		1	
29	928 356 081 00	Fuel hose	83	1	
30	928 356 031 01	Fuel line Return line to tank	83	1	
(30)	928 356 031 02	Fuel line Return line to tank F >>92GS8 60999	-85	1	
(30)	928 356 031 04	Fuel line Return line to tank F 92GS8 61000>>	86	1	
(30)	928 356 031 06	Fuel line Return line to tank F 92 GS861 --		1	
31	N 023 569 2	Hose clamp AR 16/9		1	
31	PCG 023 569 2	Hose clamp		1	

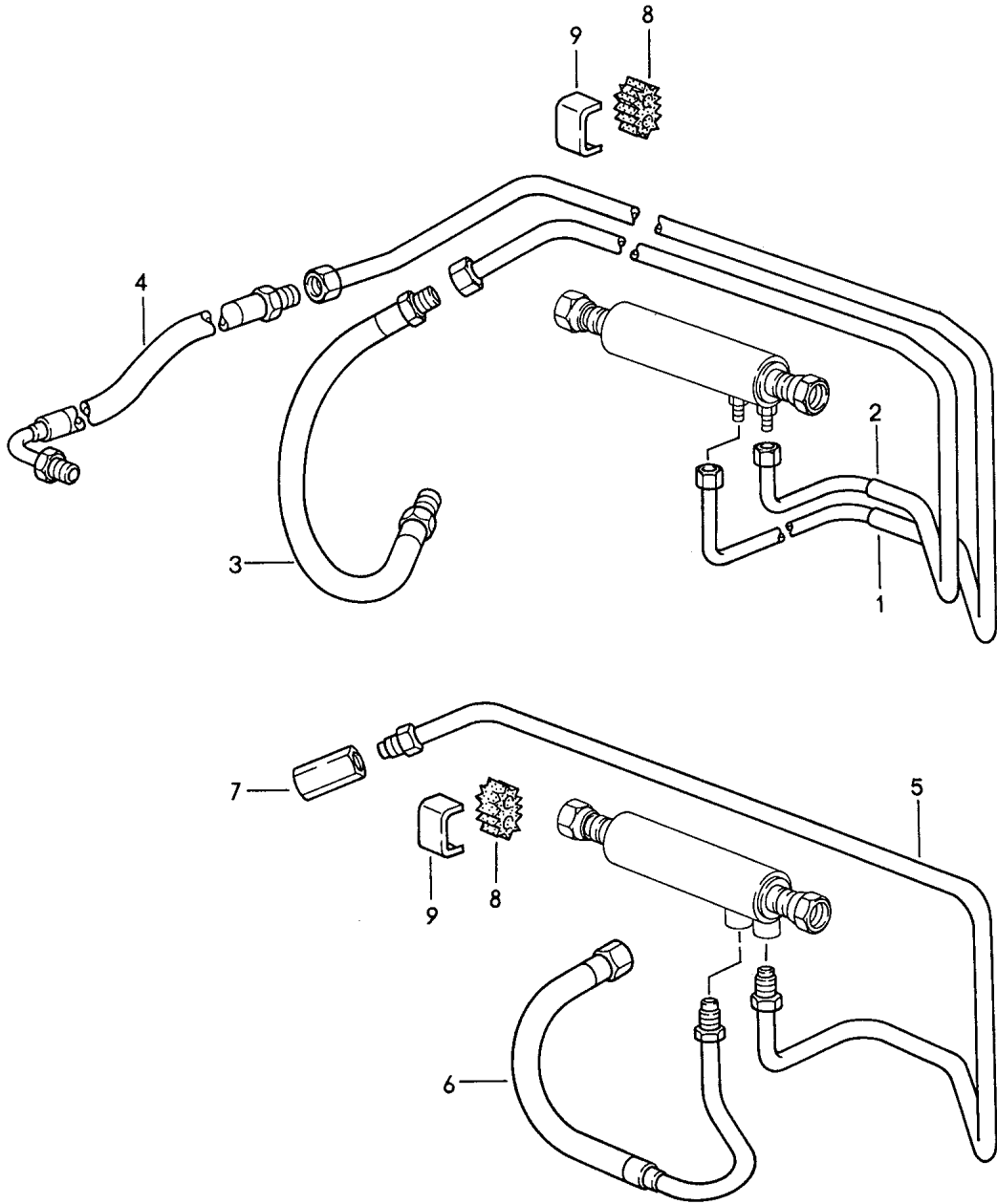
Model: 928 83

Model life 1983>>1986

Pos	Part Number	Description	Remark	Qty	Model
		AR 16/9			
32	928 356 551 01	Rubber mounting		5	
33	928 356 522 00	Supporting bow	-85	4	
(33)	928 356 553 00	Supporting bow	86	5	
34	928 356 526 00	Supporting bow	-85	1	
35	928 356 525 00	Rubber mounting	-85	10	
(35)	928 356 525 01	Rubber mounting	86	6	
36	928 356 527 00	Supporting bow	-85	10	
(36)	928 356 555 00	Clamp	86	6	
-	999 511 085 02	Clamp	86	1	M157 M298/299
-	999 511 118 02	Pipe clamp	86	1	
-	999 511 118 01	Pipe clamp	86	1	
-	999 591 487 02	Speed nut	86	1	
-	900 187 115 02	Combination screw	86	1	
-	900 187 115 01	Combination screw	86-	1	

Model: 928 83

Model life 1983>>1986



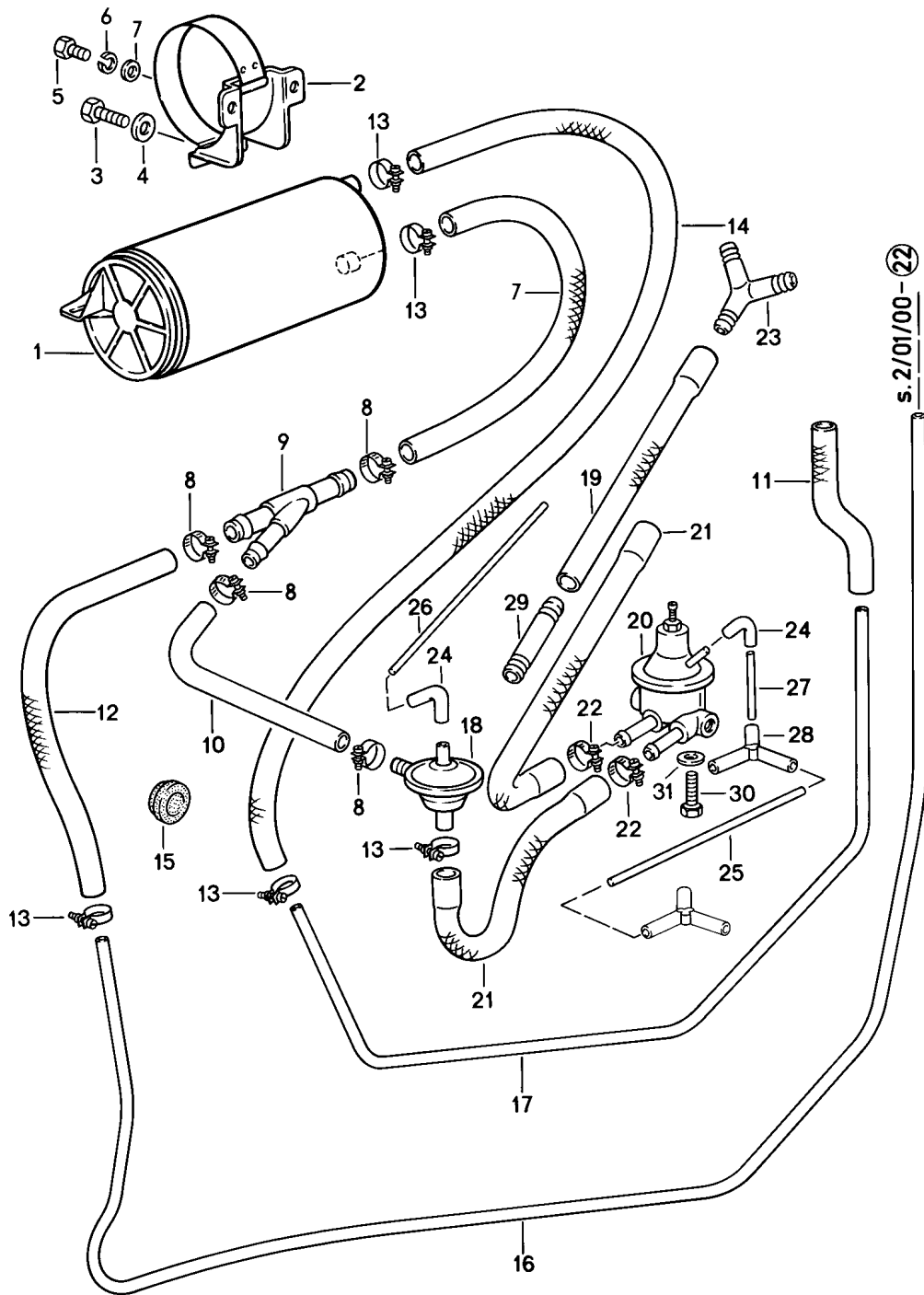
Model: 928 83

Model life 1983>>1986

Pos	Part Number	Description	Remark	Qty	Model
		Fuel cooler			
1	928 356 183 00	Feed line	83	1	
2	928 356 185 00	Return line	83	1	
3	928 356 187 00	Hose	83	1	
4	928 356 081 00	Fuel hose	83	1	
5	928 356 185 01	Return line	84-	1	
6	928 356 081 02	Feed line	84-	1	
7	477 209 169	Connecting piece	84-	1	
8	928 356 525 00	Rubber mounting		2	
9	928 356 527 00	Supporting bow		2	

Model: 928 83

Model life 1983>>1986

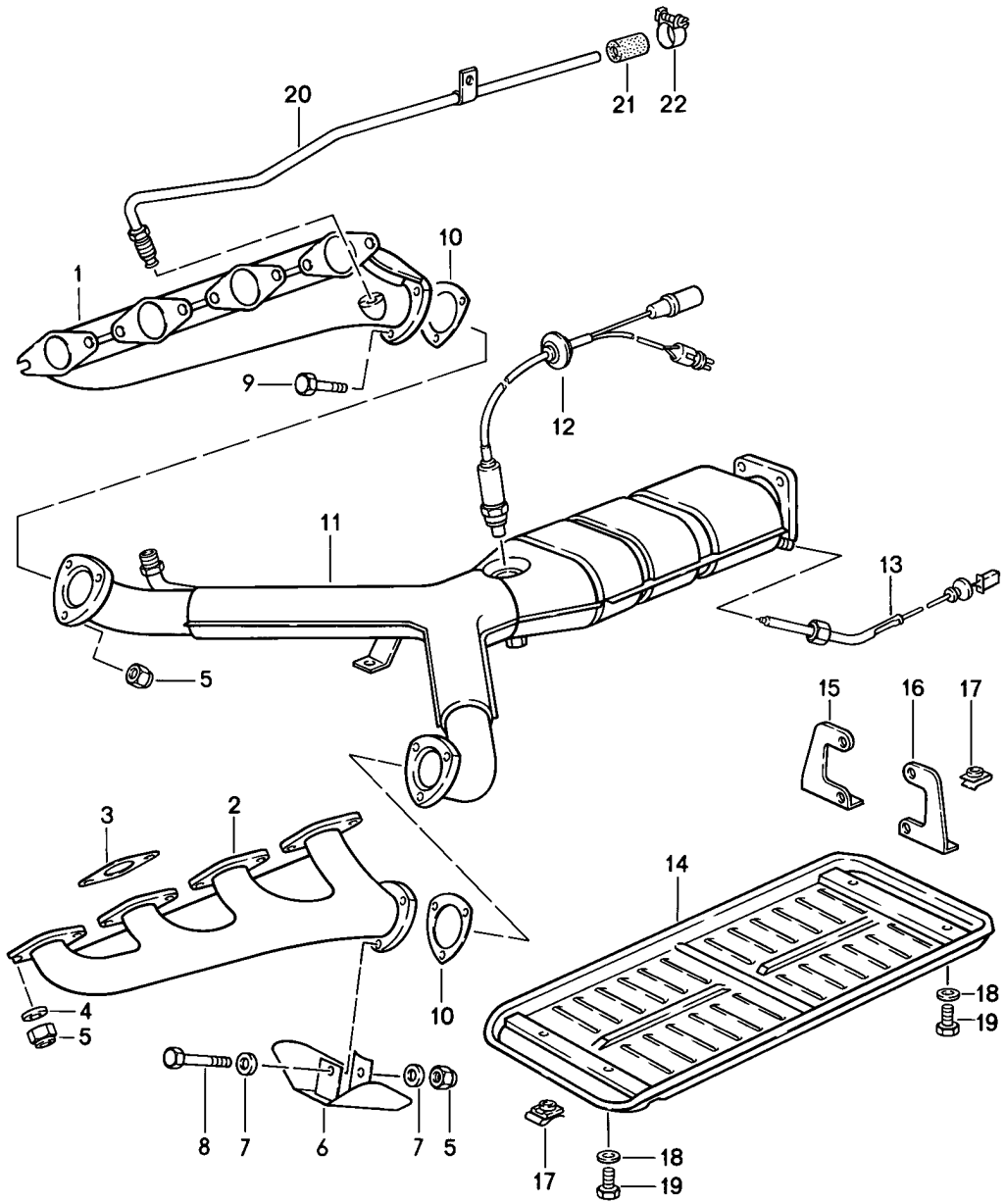


Model: 928 83 Model life 1983>>1986

Pos	Part Number	Description	Remark	Qty	Model
1	993 201 221 01	Tank ventilation Carbon canister		1	
1	993 201 221 03	Carbon canister		1	
2	928 201 015 02	Bracket		1	
3	900 075 014 02	Hexagon-head bolt M 6 X 18		1	
3	900 075 014 03	Hexagon-head bolt M 6 X 18		1	
4	803 817 121	Washer B 6,4 \$ 18 MM		1	
5	900 075 260 02	Hexagon-head bolt M 6 X 16 SB		2	
6	N 011 524 7	Washer B 6,4		2	
6	N 011 524 27	Washer B 6,4		2	
7	928 201 008 04	Moulded hose		1	
8	900 272 003 02	Hose clamp LA 12-20		3	
8	999 512 554 00	Hose clamp LA 12-20		3	
9	928 201 219 02	Connecting piece		1	
-	999 181 168 50	Hose 12 X 18,5		*	
10		380 MM	/LL		
(10)		800 MM	/RL		
-	999 181 716 50	Hose 9,5 X 15,5		*	
11		185 MM		1	
12		530 MM		1	
13	999 512 554 00	Hose clamp S 18/9		3	
14	928 201 367 02	Hose		1	
15	021 119 569 A	Rubber sleeve		3	
16	928 201 341 04	Vent line	-85	1	
(16)	928 201 341 07	Vent line	86	1	
17	928 201 353 03	Purge-air line Front	-85	1	
17	928 201 353 05	Purge-air line Front	86	1	
(17)	928 201 355 05	Purge-air line Rear	86	1	
18	928 110 429 08	Vacuum valve		1	
19	928 110 652 00	Moulded hose		1	M479
20	944 110 429 00	Control valve		1	
21	928 110 652 02	Moulded hose		2	
22	N 023 570 2	Hose clamp A 9 X 15 ZY	83	2	
23	928 110 273 00	Y-piece		1	
24	928 574 717 02	Moulded hose		2	
-	N 020 139 1	Hose 4 X 1		*	
25		200 MM		1	
26		450 MM		1	
27		480 MM		1	
28	928 573 727 02	Distributing piece		1	
29	999 137 023 40	Hose connection		1	
30	N 010 207 6	Hexagon-head bolt M 5 X 12		2	
30	N 010 207 17	Hexagon-head bolt M 5 X 12		2	
31	900 025 003 02	Washer 5,3		2	

Model: 928 83

Model life 1983>>1986



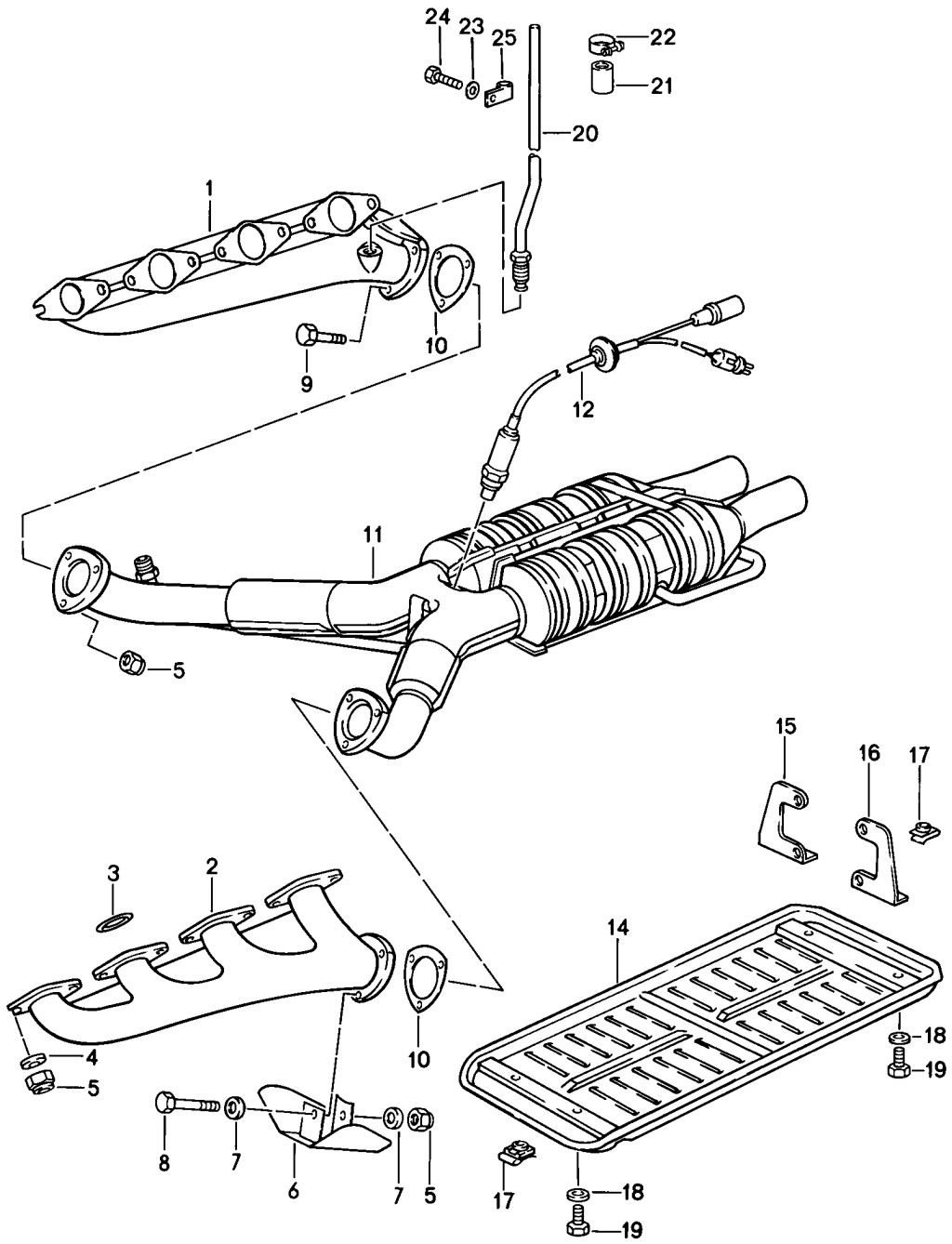
Model: 928 83

Model life 1983>>1986

Pos	Part Number	Description	Remark	Qty	Model
1	928 111 139 08	Exhaust system Catalytic converter Exhaust manifold Cylinders 1 - 4		1	
2	928 111 140 02	Exhaust manifold Cylinders 5 - 8		1	
3	928 111 193 12	Gasket		8	
4	928 111 181 00	Washer		16	
5	999 084 052 02	Lock nut M 8		22	
6	928 111 067 01	Protective plate		1	M28.19
7	999 025 078 02	Washer 8,4 X 17 X 1,5		2	M28.19
8	900 074 283 02	Screw M 8 X 45		1	M28.19
9	900 074 287 02	Hexagon-head bolt M 8 X 35		5	M28.19
9		Hexagon-head bolt M 8 X 35		6	M28.20
10	928 111 127 02	Gasket		2	
11	928 113 211 04	Catalytic converter		1	
12	928 606 124 00	Oxygen sensor		1	
20	928 111 149 03	Pipeline		1	
21	034 133 335 D	Cap		1	
22	999 512 160 02	Hose clamp S 13/9		1	
22	PCG 512 160 02	Hose clamp S 13/9		1	
-	928 111 901 00	Set of fastening parts		1	

Model: 928 83

Model life 1983>>1986



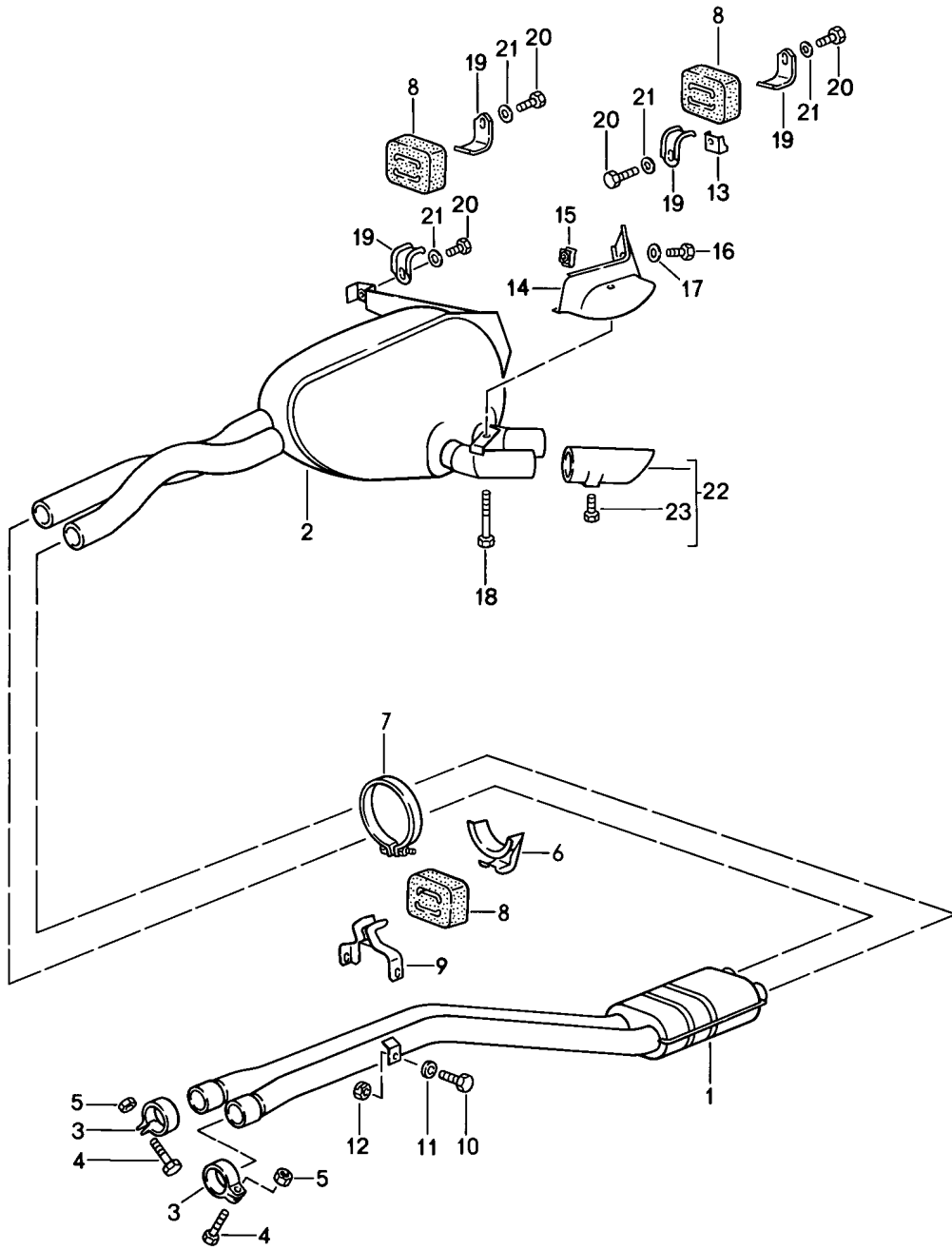
Model: 928 83

Model life 1983>>1986

Pos	Part Number	Description	Remark	Qty	Model
1	928 111 145 05	Exhaust system Catalytic converter		1	
(1)		Exhaust manifold Cylinders 1 - 4		1	
2	928 111 146 05	Exhaust manifold Cylinders 5 - 8		1	
(2)		Exhaust manifold Cylinders 5 - 8		1	
3	944 111 205 00	Sealing ring		8	
4	928 111 181 00	Washer		16	
5	999 084 052 02	Lock nut M 8		22	
6	928 111 067 01	Protective plate		1	M28.43/45
7	999 025 078 02	Washer 8,4 X 17 X 1,5		2	M28.43/45
8	900 074 283 02	Screw M 8 X 45		1	M28.43/45
9	900 074 287 02	Hexagon-head bolt M 8 X 35		5	M28.43/45
9		Hexagon-head bolt M 8 X 35		6	M28.44/46
10	928 111 127 02	Gasket		2	
11	928 113 212 01	Catalytic converter		1	M28.43/44
11		Catalytic converter		1	M28.43/44
12	928 606 128 00	Oxygen sensor Heated		1	
20	928 111 149 03	Pipeline Cylinders 1 - 4		1	
(20)	928 111 150 00	Pipeline Cylinders 5 - 8		1	
21	034 133 335 D	Cap		2	
22	999 512 160 02	Hose clamp S 13/9		2	
22	PCG 512 160 02	Hose clamp S 13/9		2	
23	N 011 524 7	Washer A 6,4		2	
23	N 011 524 27	Washer A 6,4		2	
24	N 011 524 7	Washer M 6 X 12		2	
24	N 011 524 27	Washer M 6 X 12		2	
25	928 111 158 00	Retaining bar		2	
(25)	928 111 158 01	Pipe clamp		2	
-	928 111 901 00	Set of fastening parts		1	

Model: 928 83

Model life 1983>>1986



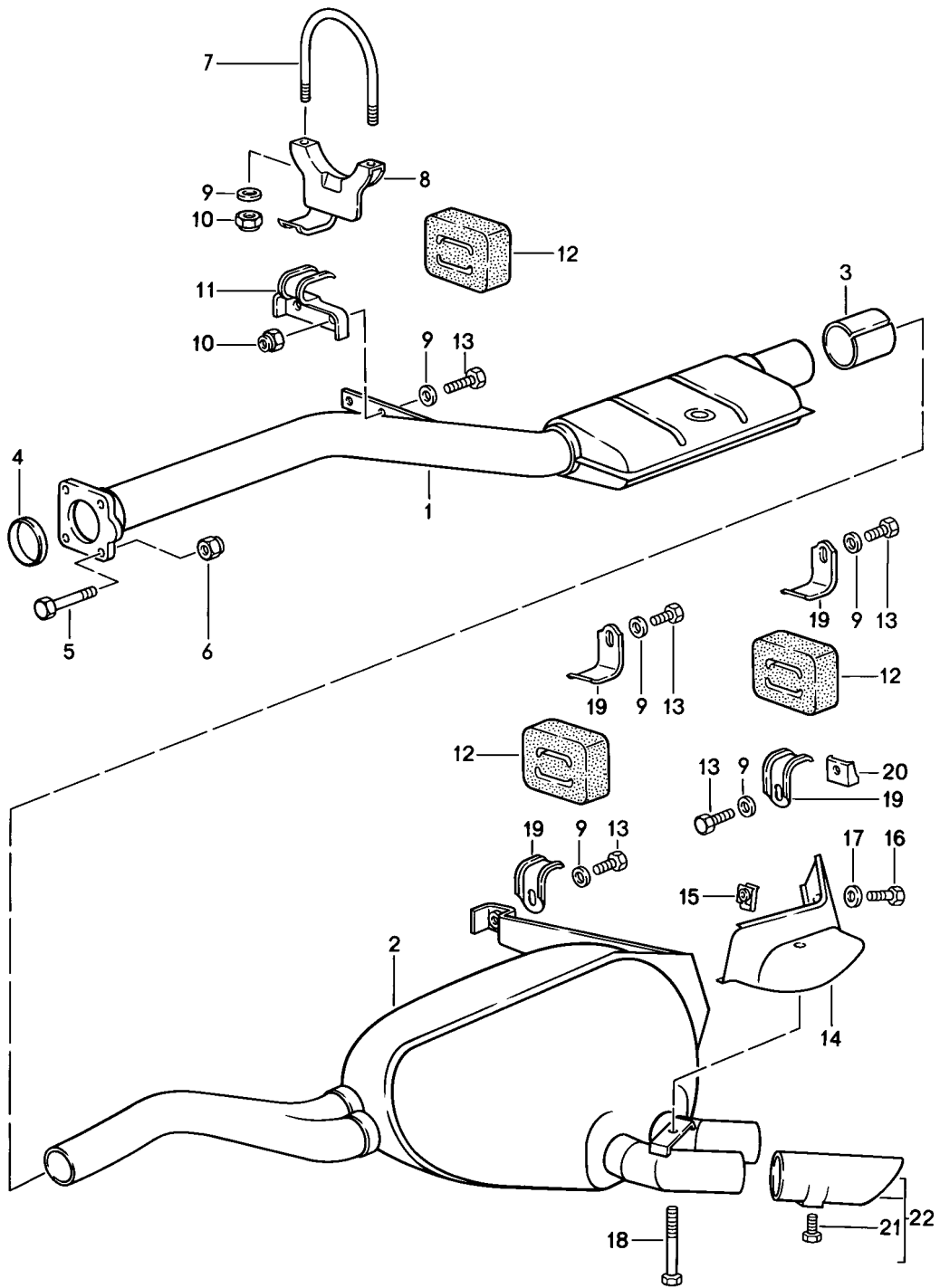
Model: 928 83

Model life 1983>>1986

Pos	Part Number	Description	Remark	Qty	Model
1	928 111 935 00	Exhaust system Main exhaust muffler Intermediate silencer F >>92GS8 60999		1	
2	928 111 933 00	Main exhaust muffler		1	
3	928 111 424 00	Pipe clamp		2	
4	900 155 036 02	Hexagon-head bolt M 10 X 50		2	
5	999 084 047 02	Lock nut M 10		2	
6	928 111 278 00	Hook Upper		1	
7	999 512 325 02	Clamp		1	
8	928 111 259 02	Rubber mounting Information available		3	
9	928 111 279 00	Hook Lower F >>92GS8 60999		1	
10	900 075 318 02	Hexagon-head bolt M 8 X 16		2	
11	999 025 078 02	Washer 8,4 X 7 X 1,5		2	
12	999 084 052 02	Lock nut M 8		2	
13	928 111 257 01	Support		1	
14	928 111 242 01	Heat shield		1	
15	999 507 326 02	Captive nut M 6		1	
16	900 075 057 02	Hexagon-head bolt M 6 X 16		1	
16	900 075 057 03	Hexagon-head bolt M 6 X 16		1	
17	N 011 524 7	Washer A 6,4		1	
17	N 011 524 27	Washer A 6,4		1	
18	N 010 375 4	Hexagon-head bolt M 8 X 75		1	
19	928 111 264 01	Hook		4	
20	900 075 087 02	Hexagon-head bolt M 8 X 16		4	
20	900 075 087 03	Hexagon-head bolt M 8 X 16		4	
21	900 025 007 02	Washer A 8,4		4	
21	900 025 007 03	Washer A 8,4		4	
22	928 111 271 01	Ornamental exhaust pipe		2	
23	900 075 001 03	Hexagon-head bolt M 5 X 8		8	

Model: 928 83

Model life 1983>>1986



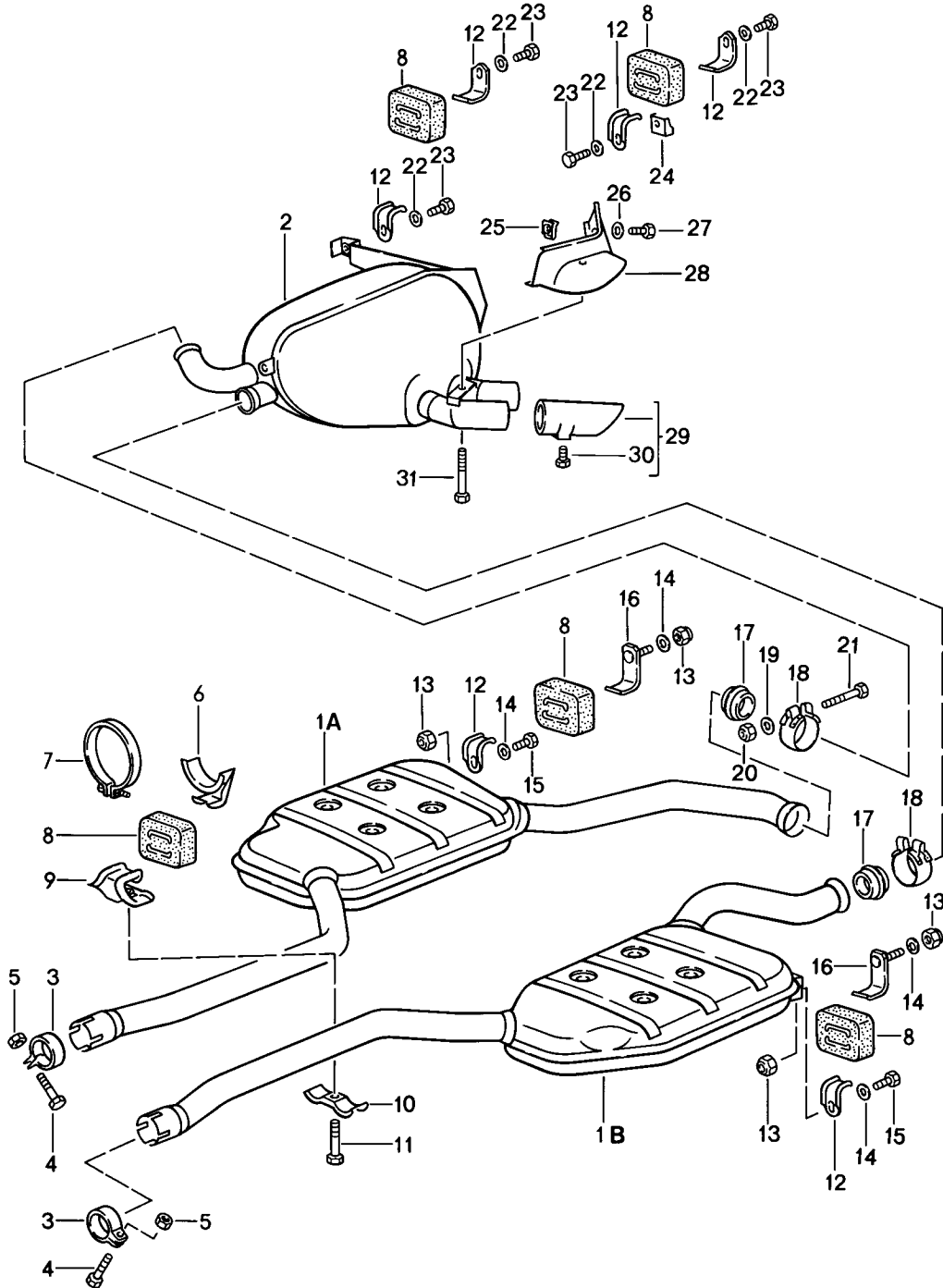
Model: 928 83

Model life 1983>>1986

Pos	Part Number	Description	Remark	Qty	Model
		Exhaust system			
		Main exhaust muffler	-84		
1	928 111 934 00	Intermediate silencer		1	
2	928 111 931 02	Main exhaust muffler		1	
3	928 111 955 00	Welded sleeve		1	
4	928 111 244 03	Sealing ring		1	
5	N 010 020 2	Hexagon-head bolt M 10 X 38		4	
6	999 084 047 02	Lock nut M 10		4	
7	928 111 227 01	Clip		1	M28.19
8	928 111 061 00	Support		1	M28.19
9	900 025 007 02	Washer A 8,4		8	
9	900 025 007 03	Washer A 8,4		8	
10	999 084 041 02	Lock nut M 8		4	
11	928 111 261 02	Hook		1	
12	928 111 259 02	Rubber mounting Information available		3	
13	900 075 087 02	Hexagon-head bolt M 8 X 16		6	
13	900 075 087 03	Hexagon-head bolt M 8 X 16		6	
14	928 111 242 01	Heat shield		1	
15	999 507 326 02	Captive nut		1	
16	900 075 057 02	Hexagon-head bolt M 6 X 16		1	
16	900 075 057 03	Hexagon-head bolt M 6 X 16		1	
17	N 011 524 7	Washer A 6,4		1	
17	N 011 524 27	Washer A 6,4		1	
18	N 010 375 4	Hexagon-head bolt M 8 X 75		1	
19	928 111 264 01	Hook		4	
20	928 111 257 01	Support		1	
21	900 075 001 03	Hexagon-head bolt M 5 X 8		X	
22	928 111 271 01	Ornamental exhaust pipe		2	

Model: 928 83

Model life 1983>>1986



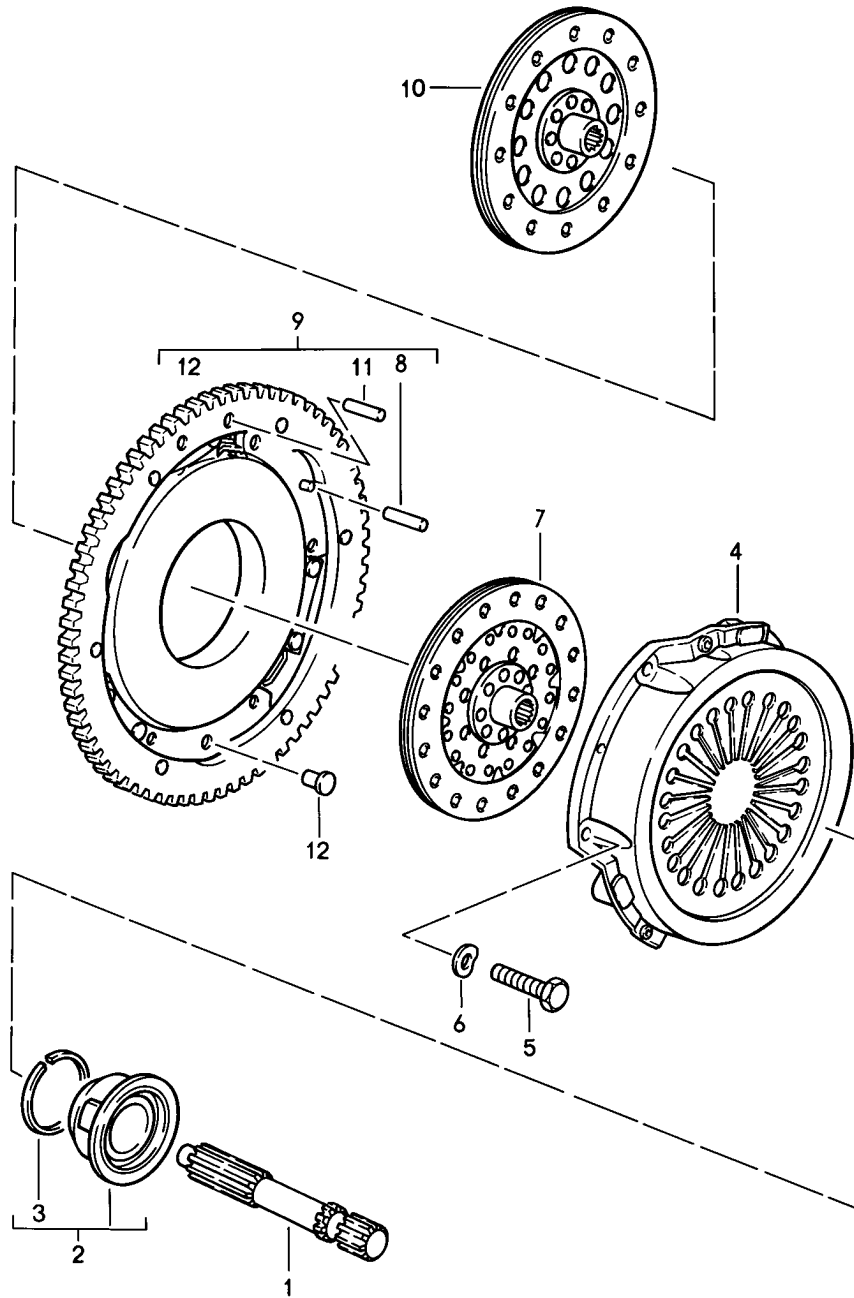
Model: 928 83

Model life 1983>>1986

Pos	Part Number	Description	Remark	Qty	Model
		Exhaust system			
		Main exhaust muffler			86
1A	928 111 094 01	Intermediate silencer	/R	1	
		F 92GS8 61000>>			
1B	928 111 093 02	Intermediate silencer	/L	1	
		F 92GS8 61000>>			
2	928 111 044 00	Main exhaust muffler		1	
		F 92GS8 61000>>			
3	928 111 424 00	Pipe clamp		2	
4	900 155 036 02	Hexagon-head bolt		2	
		M 10 X 50			
5	999 084 047 02	Lock nut		2	
		M 10			
6	928 111 278 00	Hook		1	
7	999 512 325 02	Clamp		1	
8	928 111 259 02	Rubber mounting		4	
		Information available			
9	928 111 287 00	Support		1	
10	928 111 288 00	Support		1	
11	900 155 036 02	Hexagon-head bolt		1	
		M 10 X 50			
12	928 111 264 01	Hook		6	
13	900 910 022 02	Lock nut		4	
14	900 025 007 02	Washer		4	
14	900 025 007 03	Washer		4	
15	900 075 366 02	Combination screw		2	
16	928 111 260 00	Hook		2	
17	928 111 246 05	Sealing ring		2	
17	928 111 246 06	Sealing ring		2	
18	928 111 427 00	Pipe clamp		2	
19	999 025 078 02	Washer		2	
20	999 084 052 02	Lock nut		2	
21	900 074 304 02	Hexagon-head bolt		2	
		M 8 X 60			
22	900 025 007 02	Washer		4	
		A 8,4			
22	900 025 007 03	Washer		4	
		A 8,4			
23	900 075 087 02	Hexagon-head bolt		4	
		M 8 X 16			
23	900 075 087 03	Hexagon-head bolt		4	
		M 8 X 16			
24	928 111 257 01	Support		1	
25	999 507 326 02	Captive nut		1	
		M 6			
26	N 011 524 7	Washer		1	
		A 6,4			
26	N 011 524 27	Washer		1	
		A 6,4			
27	900 075 057 02	Hexagon-head bolt		1	
		M 6 X 16			
27	900 075 057 03	Hexagon-head bolt		1	
		M 6 X 16			
28	928 111 242 01	Heat shield		1	
29	928 111 271 01	Ornamental exhaust pipe		2	
30	900 075 001 03	Hexagon-head bolt		2	
		M 5 X 8			
31	N 010 375 4	Hexagon-head bolt		1	
		M 8 X 75			

Model: 928 83

Model life 1983>>1986

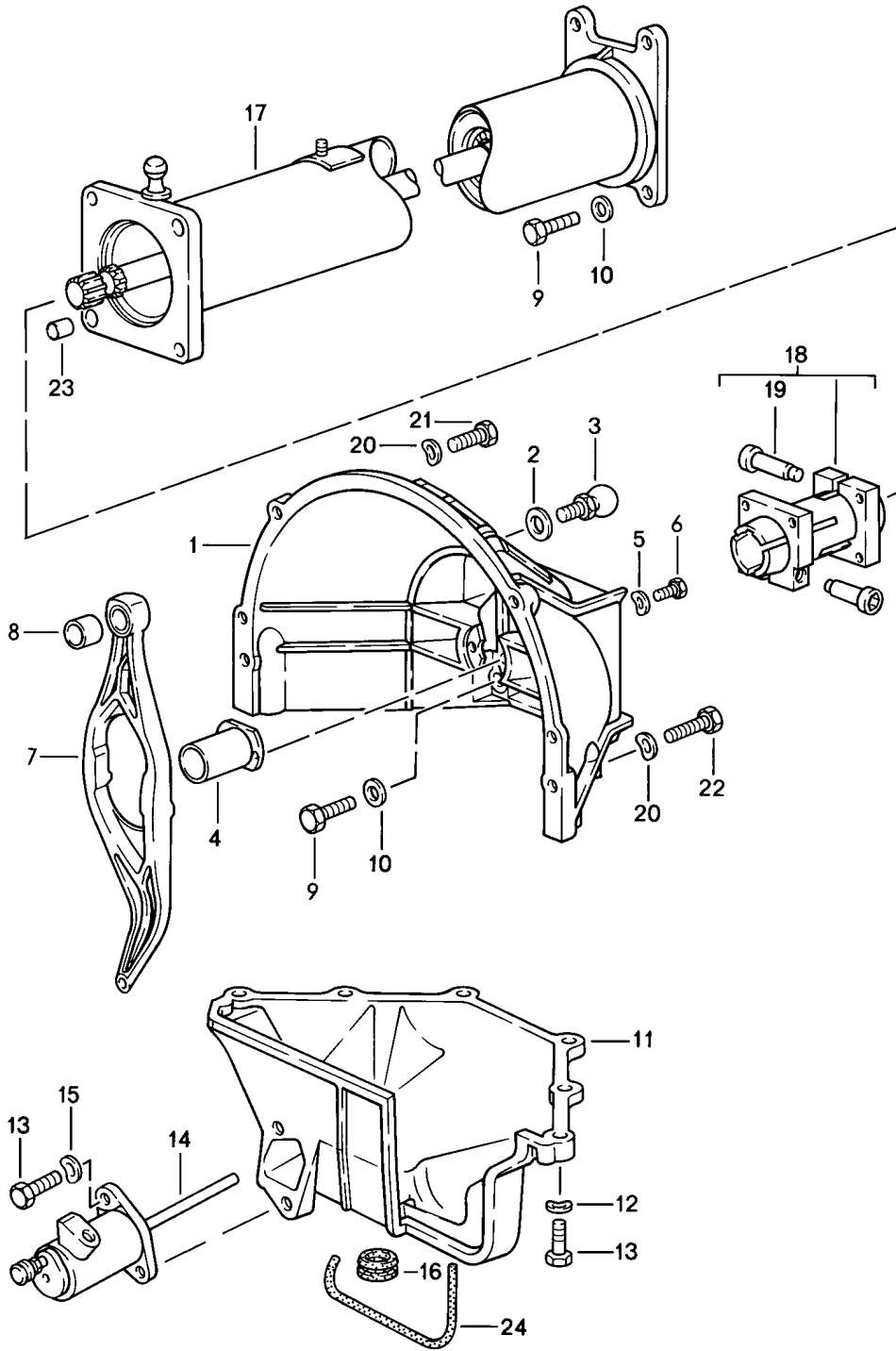


Model: 928 83 Model life 1983>>1986

Pos	Part Number	Description	Remark	Qty	Model
1	928 421 235 16	Clutch Central shaft		1	
1	928 421 235 17	Central shaft		1	
2	928 116 085 24	Clutch release bearing		1	
2	928 116 085 25	Clutch release bearing		1	
3	999 152 068 01	Circlip		1	
4	928 116 031 26	Pressure plate		1	
4	928 116 031 27	Pressure plate		1	
5	N 010 340 6	Hexagon-head bolt M 8 X 40		6	
6	900 025 007 02	Washer A 8,4		6	
6	900 025 007 03	Washer A 8,4		6	
7	928 116 011 36	Clutch plate 2 Only together with 928.116.011.35		1	
8	999 012 030 00	Straight pin	83	3	
8		Straight pin	84-	2	
9	928 116 033 22	Intermediate ring	83	1	
9	928 116 033 26	Intermediate ring	84-	1	
10	928 116 011 35	Clutch plate 1 Only together with 928.116.011.36		1	
11	900 302 010 00	Straight pin	84-	2	
12	928 116 471 00	Straight pin	84-	1	
-	000 043 024 00	Extreme-pressure grease See group 0/06/00		X	
-	928 116 911 00	Repair kit for Clutch		1	

Model: 928 83

Model life 1983>>1986



Model: 928 83

Model life 1983>>1986

Pos	Part Number	Description	Remark	Qty	Model
		Central tube			
		Manual transmission			
1	928 116 402 00	Clutch housing		1	
2	900 025 007 02	Washer		1	
		A 8,4			
2	900 025 007 03	Washer		1	
		A 8,4			
3	928 116 075 01	Ball pin		1	
		8 MM \$			
3	928 116 075 02	Ball pin		1	
		8 MM \$			
4	928 116 087 13	Guide tube		1	
5	N 011 524 7	Washer		2	
		A 6,4			
5	N 011 524 27	Washer		2	
		A 6,4			
6	900 075 057 02	Hexagon-head bolt		2	
		M 6 X 16			
6	900 075 057 03	Hexagon-head bolt		2	
		M 6 X 16			
7	928 116 832 09	Clutch release lever		1	
8	928 116 145 03	Ball socket		1	
9	N 010 445 2	Hexagon-head bolt		8	
		M 10 X 45			
9	900 074 372 01	Hexagon-head bolt		8	
		M 10 X 45			
10	900 025 008 09	Washer		8	
		A 10,5			
10	900 025 008 04	Washer		8	
		A 10,5			
11	928 116 412 01	Lid		1	
		for			
		Clutch housing			
12	N 012 241 8	Spring washer		6	
		B 8			
13	900 075 099 02	Hexagon-head bolt		8	
		M 8 X 30			
13	900 075 099 03	Hexagon-head bolt		8	
		M 8 X 30			
14	928 116 237 19	Clutch operating cylinder		1	
-	928 116 901 00	Repair kit		1	
		Clutch operating cylinder			
15	900 027 015 02	Lock ring		2	
		B 8			
15	900 027 015 03	Lock ring		2	
		B 8			
16	928 116 425 00	Cap		3	
(16)	477 521 177	Cap		1	
17	928 421 012 26	Central tube		1	
		Ready for installation			
18	922 421 051 02	Clamping sleeve		1	
18	922 421 051 03	Clamping sleeve		1	
19	931 421 240 00	Clamping screw		2	
20	N 011 531 14	Washer		4	
		B 12			
21	N 010 142 2	Hexagon-head bolt		4	
		M 12 X 1,5 X 50			
22	N 010 165 3	Hexagon-head bolt		2	
		M 12 X 1,5 X 65			
22	900 082 109 01	Hexagon-head bolt		2	
		M 12 X 1,5 X 65			
23	900 197 042 01	Roll pin		2	
		10 X 12			

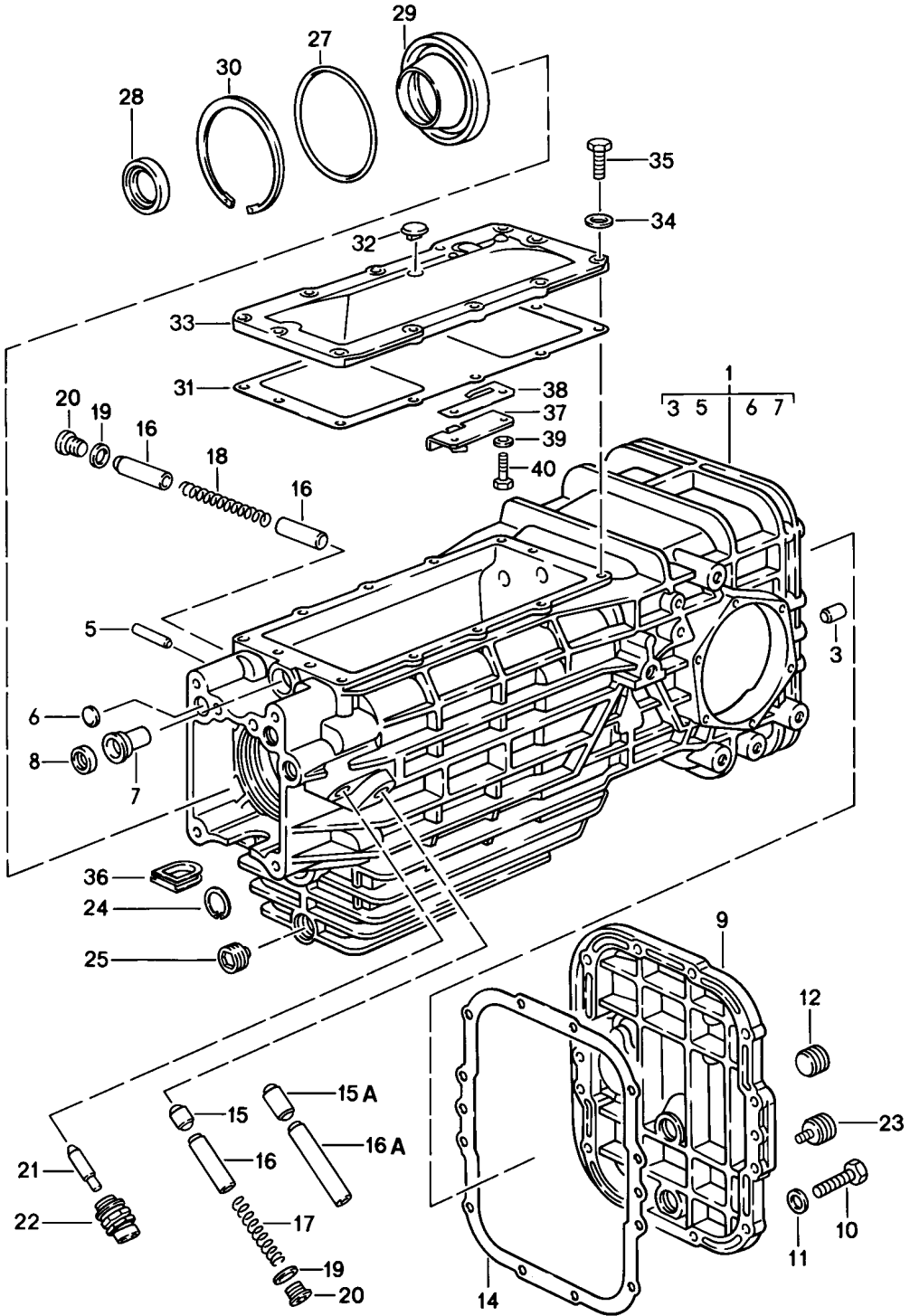
Model: 928 83

Model life 1983>>1986

Pos	Part Number	Description	Remark	Qty	Model
24	928 116 427 02	Sealing strip		1	

Model: 928 83

Model life 1983>>1986



Model: 928 83

Model life 1983>>1986

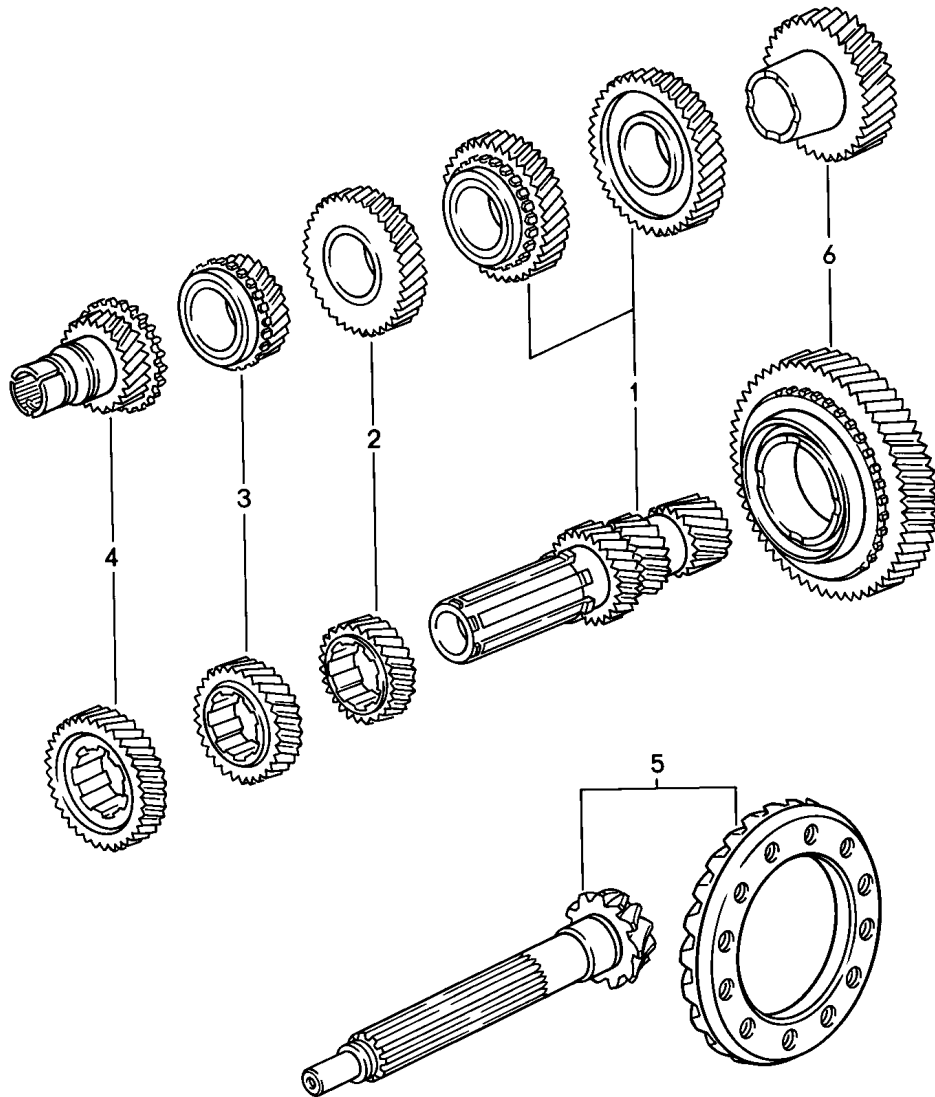
Pos	Part Number	Description	Remark	Qty	Model
		Replacement transmission			
		Transmission case			
-	928 300 005 08	Manual transmission	-84	1	G28.08
		Manual transmission			
		Ready for installation			
-	928 300 005 11	Manual transmission	85-	1	G28.11
		Manual transmission			
		Ready for installation			
-	928 300 905 08	Manual transmission	-84	1	G28.08
		Manual transmission			
		Ready for installation			
		Limit.-slip different. 40%			
-	928 300 015 11	Manual transmission	85-	1	G28.11
		Manual transmission			
		Ready for installation			
		Limit.-slip different. 40%			
-	928 300 015 LX	Manual transmission	85-	1	G28.11
		Manual transmission			
		Ready for installation			
		Limit.-slip different. 40%			
1	928 301 901 02	Transmission case	-84	1	G28.07/08
(1)	928 301 901 03	Transmission case	85-	1	G28.10/11
3	900 012 086 00	Straight pin		2	
		6 X 18			
5	900 302 009 00	Straight pin	-84	1	G28.07/08
		6M 6 X 32			
6	900 040 013 02	Cover plate		3	
7	928 301 502 00	Guide bush	-84	1	G28.07/08
(7)	928 301 502 03	Guide bush	85-	1	G28.10/11
8	928 303 120 01	Shaft sealing ring		1	
9	928 301 305 09	Housing cover		1	
		Rear			
10	900 075 099 02	Hexagon-head bolt		12	
		M 8 X 30			
10	900 075 099 03	Hexagon-head bolt		12	
		M 8 X 30			
11	900 025 007 02	Washer		12	
		A 8,4			
11	900 025 007 03	Washer		12	
		A 8,4			
12	999 064 019 02	Screw plug		1	
12	999 064 019 0C	Screw plug		1	
14	928 301 395 03	Gasket		1	
		for			
		Housing cover			
		Rear			
15	928 303 231 21	Detent	-84	1	G28.07/08
(15)	928 303 231 24	Detent	85-	1	G28.10/11
15A	928 303 232 00	Detent	85-	1	G28.10/11
16	928 303 233 22	Arresting bush	-84	3	G28.07/08
(16)	928 303 233 25	Arresting bush	85-	1	G28.10/11
16A	928 303 234 00	Arresting bush	85-	2	G28.10/11
17	928 303 235 20	Compression spring	-84	1	G28.07/08
(17)	928 303 235 23	Compression spring	85-	1	G28.10/11
18	928 303 237 20	Compression spring		1	
(18)	928 303 235 24	Compression spring	85-	2	G28.10/11
19	900 123 116 30	Sealing ring		2	
20	900 219 006 02	Screw plug		2	
20	900 219 006 01	Screw plug		2	
21	928 606 241 02	Cam follower		1	
22	914 613 541 02	Back-up light switch		1	
23	999 064 020 02	Screw plug		1	
24	N 012 375 1	Circlip		1	
25	999 064 020 02	Screw plug		1	
27	928 301 111 00	O-ring		1	
27	928 301 111 01	O-ring		1	
28	928 302 167 03	Shaft sealing ring		1	

Model: 928 83 Model life 1983>>1986

Pos	Part Number	Description	Remark	Qty	Model
28	928 302 167 05	Shaft sealing ring		1	
29	928 302 175 11	Housing		1	
30	900 042 052 01	Circlip		1	
31	928 301 393 06	Gasket for Housing cover Upper	-84	1	G28.07/08
(31)		Gasket	85-	1	G28.10/11
32	928 301 311 01	Bleeder		1	
33	928 301 303 09	Housing cover	-84	1	G28.07/08
(33)	928 301 303 11	Lid	85-	1	G28.10/11
34	N 011 524 7	Washer A 6,4		12	
34	N 011 524 27	Washer A 6,4		12	
35	900 075 016 02	Hexagon-head bolt M 6 X 22		12	
35	900 075 016 03	Hexagon-head bolt M 6 X 22		12	
36	928 301 171 00	Cap		1	
37	928 303 025 05	Reversing gear lock		1	
37	928 303 025 06	Reversing gear lock		1	
38	928 303 287 01	Leaf spring		1	
39	N 012 226 5	Spring washer B 6		2	
40	900 075 057 02	Hexagon-head bolt M 6 X 16		2	
40	900 075 057 03	Hexagon-head bolt M 6 X 16		2	

Model: 928 83

Model life 1983>>1986

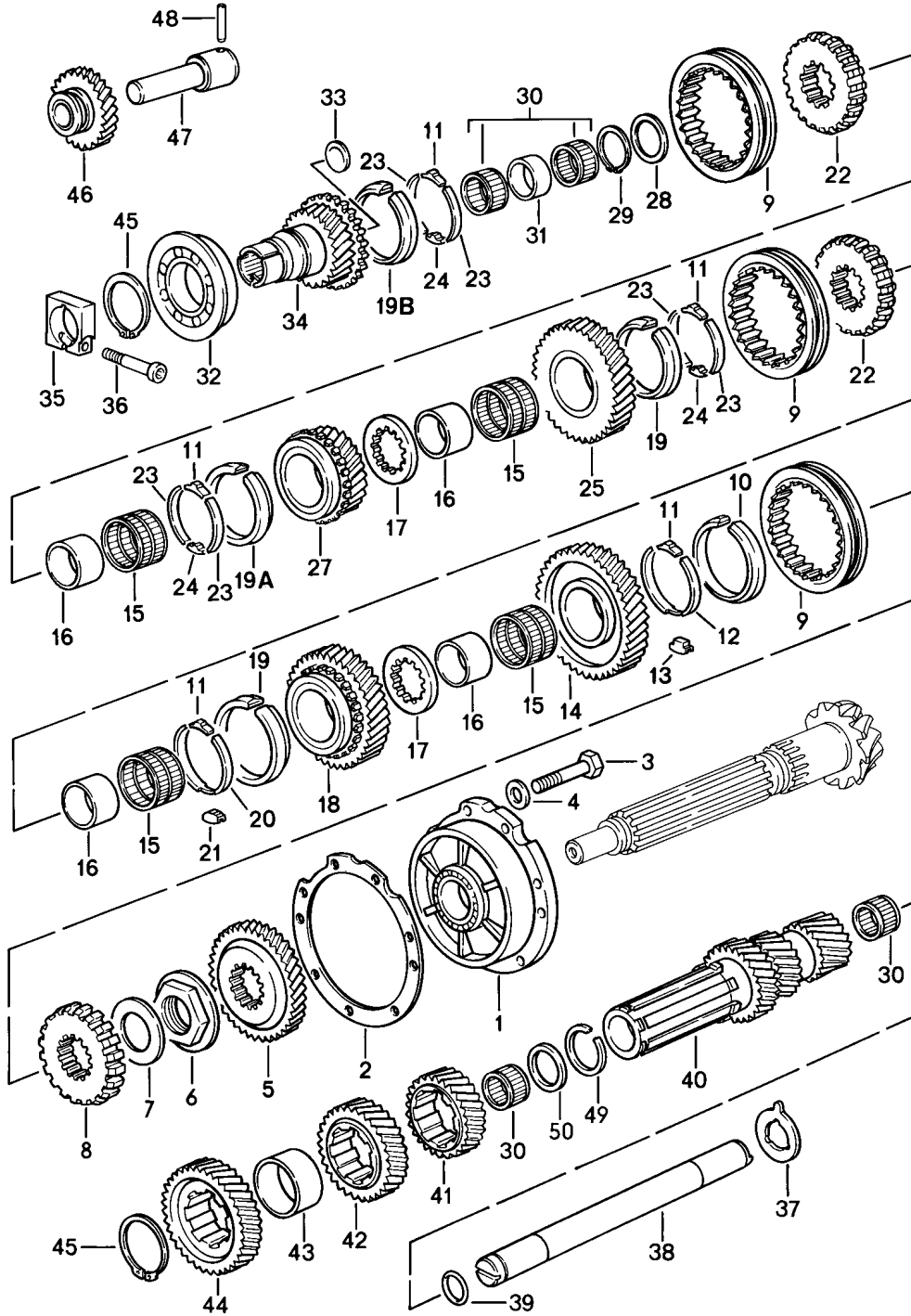


Model: 928 83 Model life 1983>>1986

Pos	Part Number	Description	Remark	Qty	Model
1	928 302 901 14	Gear wheel sets Manual transmission Transmission G 28.07/08 Gear set 1st / 2nd gear Z = 17:44 Z = 22:38 Use also: 999.152.087.01 928.302.278.00	-84 -84	1	
2	928 302 903 14	Gear wheel pair 3rd gear Z = 26:32	-84	1	
3	928 302 904 14	Gear wheel pair 4th speed Z = 29:27	-84	1	
4	928 302 905 15	Gear set Permanent 5th gear Z = 20:33	-84	1	G28.08
5	928 302 911 32	Ring gear and pinion shaft Z = 15:34 Transmission G 28.10/11	-84	1	G28.08
(1)	928 302 901 21	Gear set 1st / 2nd gear Z = 17:44 Z = 22:38 Use also: 999.152.087.01 928.302.278.00	85- 85-	1	G28.10/11
(2)	928 302 903 21	Gear wheel pair 3rd gear Z = 26:32	85-	1	G28.10/11
(3)	928 302 904 21	Gear wheel pair 4th speed Z = 29:27	85-	1	G28.10/11
(4)	928 302 905 23	Gear set 5th gear Z = 22:32	85-	1	G28.10
(4)	928 302 905 24	Gear set Permanent 5th gear Z = 21:33	85-	1	G28.11
(5)	928 302 911 55	Ring gear and pinion shaft Z = 11:30	85-	1	G28.10
(5)	928 302 911 56	Ring gear and pinion shaft Z = 15:33	85-	1	G28.11
6	928 302 907 21	Gear set Reverse gear wheel	85-	1	G28.10/11

Model: 928 83

Model life 1983>>1986



Model: 928 83

Model life 1983>>1986

Pos	Part Number	Description	Remark	Qty	Model
		Gears and shafts Manual transmission	-84		G28.07/08
1	928 302 063 29	Housing with Bearing		1	
2	928 302 298 10	Adjusting shim 0,10 MM		X	
(2)	928 302 298 11	Adjusting shim 0,15 MM		X	
(2)	928 302 298 12	Adjusting shim 0,20 MM		X	
(2)	928 302 298 13	Adjusting shim 0,50 MM		X	
3	N 010 244 6	Hexagon-head bolt 8 X 30		7	
4	999 523 102 02	Washer Schnorr retainng washer 8 MM		7	
4	999 523 102 0B	Washer Schnorr retainng washer 8 MM		7	
5	928 302 305 09	Reversing fixed gear			
6	928 302 266 06	Lock nut 42 X 1,5		1	
7	928 302 289 00	Shim 0,60 MM		X	
(7)	928 302 289 01	Shim 0,65 MM		X	
(7)	928 302 289 02	Shim 0,70 MM		X	
(7)	928 302 289 03	Shim 0,75 MM		X	
(7)	928 302 289 04	Shim 0,95 MM		X	
(7)	928 302 289 05	Shim 1,10 MM		X	
8	928 302 401 21	Guide sleeve		1	
9	928 302 411 01	Shift sleeve 1st gear		1	
(9)	928 302 413 11	Reverse gear Shift sleeve		2	
10	928 302 301 31	Synchroniser ring 1st gear		1	
11	915 302 315 01	Stone		5	
12	928 302 319 05	Double barricade tape		1	
13	928 302 321 00	Stop 1st gear		1	
14		Loose gear wheel 1st gear		1	
15	999 201 260 00	Needle cage		4	
16	928 302 271 01	Inner ring		4	
17	928 302 267 01	Thrust washer		2	
18		Loose gear wheel 2nd gear		1	
19	928 302 302 31	Synchroniser ring 2nd/3rd gear		2	
19A	928 302 302 33	Synchroniser ring 4th speed		1	
19B	928 302 304 31	Synchroniser ring 5th gear		1	
20	928 302 318 01	Double barricade tape 2nd gear		1	
21	928 302 320 01	Stop		1	

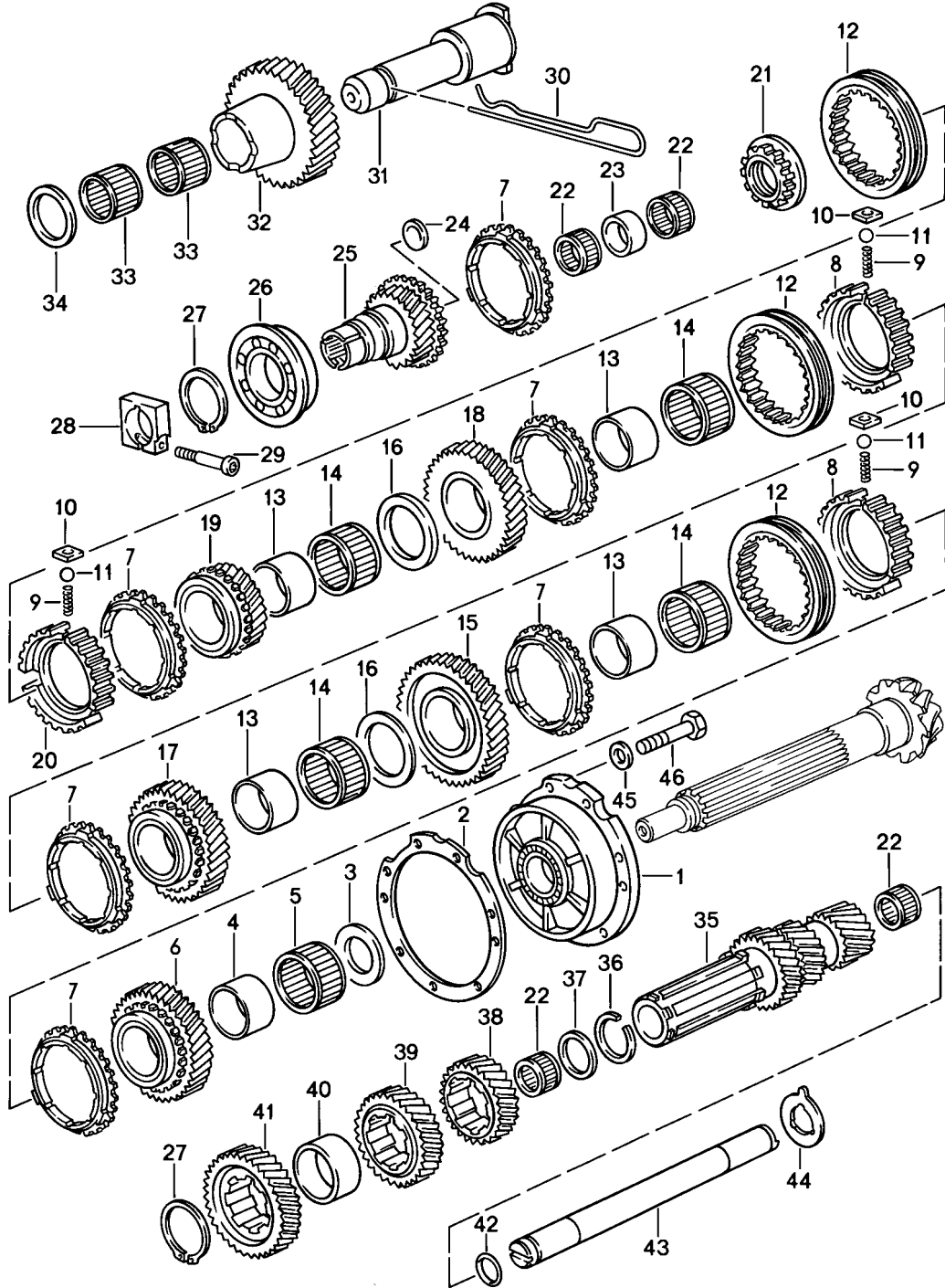
Model: 928 83

Model life 1983>>1986

Pos	Part Number	Description	Remark	Qty	Model
22	928 302 402 01	2nd gear Guide sleeve		2	
23	915 302 316 01	Brake band		6	
24	928 302 327 00	Stop		3	
25		Loose gear wheel		1	
27		3rd gear Loose gear wheel		1	
28	928 302 290 14	4th speed Shim		X	
(28)	928 302 290 15	0,85 MM Shim		X	
(28)	928 302 290 16	0,90 MM Shim		X	
(28)	928 302 290 17	0,95 MM Shim		X	
(28)	928 302 290 18	1,00 MM Shim		X	
(28)	928 302 290 19	1,20 MM Shim		X	
(28)	928 302 290 20	1,40 MM Shim		X	
29	999 041 036 01	1,60 MM Circlip		1	
30	928 302 163 00	38 X 1,75 Needle cage		4	
31	928 302 165 01	Thrust ring		1	
32	928 302 152 06	Deep-groove ball bearing		1	
33	900 040 008 01	Lid		1	
34		Drive shaft		1	
35	922 421 239 02	Clamping piece		1	
36	931 421 240 00	Clamping screw		1	
37	928 302 281 03	Thrust washer		1	
38	928 302 036 00	Countershaft axle		1	
39	928 302 283 00	Round seal		1	
40		Drive shaft		1	
41		Fixed gear wheel		1	
42		3rd gear Fixed gear wheel		1	
43	928 302 279 02	4th speed Spacer sleeve		1	
44		Fixed gear wheel		1	
45	900 041 019 01	5th gear Circlip		2	
46	928 302 026 07	50 X 2 Reversing gear		1	
47	928 302 229 01	Reverse idler shaft		1	
48	900 309 009 00	Roll pin		1	
49	999 152 087 01	Circlip		1	
50	928 302 278 00	Support washer		1	

Model: 928 83

Model life 1983>>1986



Model: 928 83

Model life 1983>>1986

Pos	Part Number	Description	Remark	Qty	Model
		Gears and shafts Manual transmission	85-		G28.10/11
(1)	928 302 063 34	Bearing sleeve		1	
2	928 302 298 10	Adjusting shim 0,10 MM		X	
(2)	928 302 298 11	Adjusting shim 0,15 MM		X	
(2)	928 302 298 12	Adjusting shim 0,20 MM		X	
(2)	928 302 298 13	Adjusting shim 0,50 MM		X	
3	928 302 267 10	Shim 2,20 MM		1	
(3)	928 302 267 11	Shim 2,30 MM		X	
(3)	928 302 267 12	Shim 2,40 MM		X	
(3)	928 302 267 13	Shim 2,50 MM		X	
(3)	928 302 267 14	Shim 2,60 MM		X	
(3)	928 302 267 15	Shim 2,70 MM		X	
(3)	928 302 267 16	Shim 2,80 MM		X	
(3)	928 302 267 17	Shim 2,90 MM		X	
(3)	928 302 267 18	Shim 3,00 MM		X	
4	928 302 272 00	Inner ring		1	
5	999 201 080 40	Needle cage		1	
6		Loose gear wheel Reverse gear		1	
7	928 304 211 05	Synchroniser ring		6	
8	928 304 221 02	Guide sleeve 1st gear Reverse gear 2nd/3rd gear		2	
9	928 304 261 01	Compression spring		9	
10	928 304 251 00	Stone		9	
11	N 025 653 2	Ball		9	
12	928 304 231 00	Shift sleeve		3	
13	928 302 271 01	Inner ring		4	
14	999 201 260 00	Needle cage		4	
15		Loose gear wheel 1st gear		1	
16	928 302 267 01	Thrust washer		2	
17		Loose gear wheel 2nd gear		1	
18		Loose gear wheel 3rd gear		1	
19		Loose gear wheel 4th speed		1	
20	928 304 221 03	Guide sleeve 4th/5th gear		1	
21	928 302 266 09	Lock nut		1	
22	928 302 163 00	Needle cage		4	
23	928 302 165 01	Thrust ring		1	
24	900 040 008 01	Lid		1	
25		Drive shaft		1	
26	928 302 152 10	Deep-groove ball bearing		1	
27	900 041 019 01	Circlip 50 X 2		2	

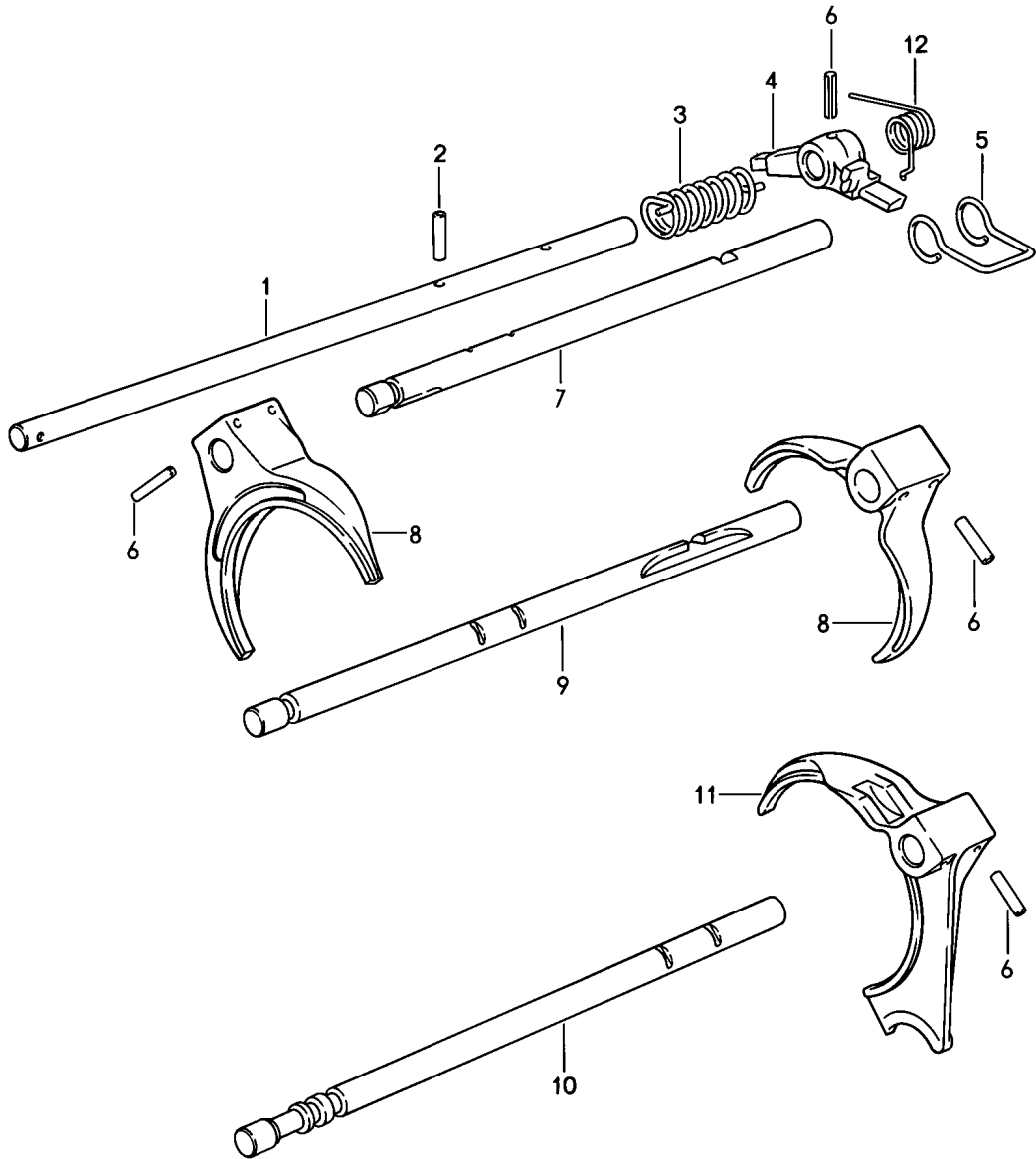
Model: 928 83

Model life 1983>>1986

Pos	Part Number	Description	Remark	Qty	Model
28	922 421 239 02	Clamping piece		1	
29	931 421 240 00	Clamping screw		1	
30	928 302 232 00	Spring clip		1	
31	928 302 229 10	Reverse idler shaft		1	
32		Reverse idler gear		1	
33	999 201 227 00	Needle cage		2	
33	999 201 227 01	Needle cage		2	
34	928 302 233 00	Thrust washer		1	
35		Drive shaft		1	
36	999 152 087 01	Circlip		1	
37	928 302 278 00	Support washer		1	
38		Fixed gear wheel		1	
39		Fixed gear wheel		1	
40	928 302 279 02	Spacer sleeve		1	
41		Fixed gear wheel		1	
42	928 302 283 00	Round seal		1	
43	928 302 036 00	Countershaft axle		1	
44	928 302 281 03	Thrust washer		1	
45	999 523 102 02	Washer		7	
45	999 523 102 0B	Washer		7	
46	N 010 244 6	Hexagon-head bolt M 8 X 30		7	

Model: 928 83

Model life 1983>>1986



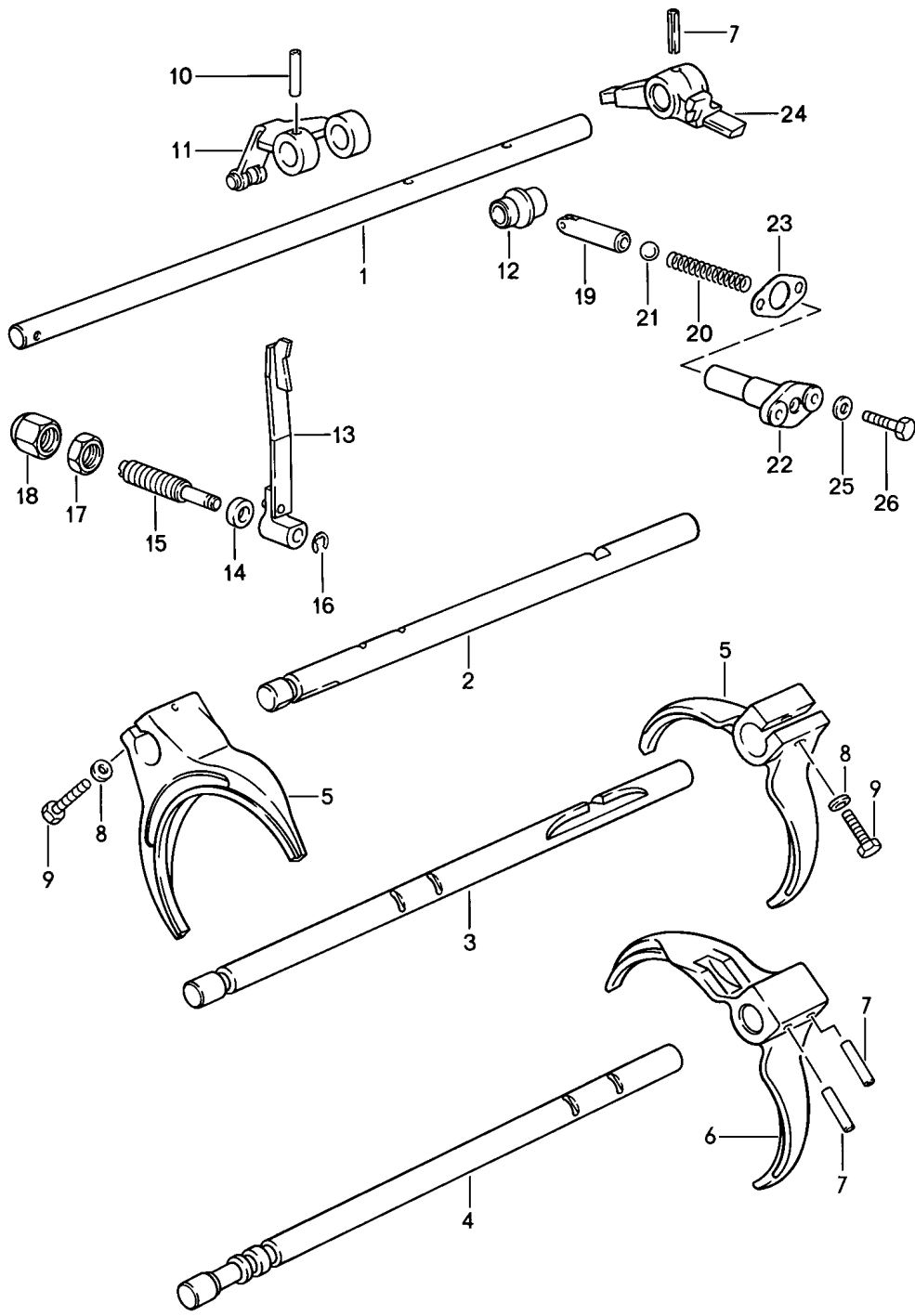
Model: 928 83

Model life 1983>>1986

Pos	Part Number	Description	Remark	Qty	Model
		Shift rods shift forks Manual transmission	-84		G28.07/08
1	928 303 107 06	Inner shift rod		1	
2	900 309 013 00	Roll pin		1	
3	928 303 243 13	Torsion spring		1	
4	928 303 117 08	Shift finger		1	
5	928 303 244 00	Wire clip		1	
6	N 013 317 1	Roll pin		7	
7	928 303 102 27	Gear shift rod 4th/5th gear		1	
8	928 303 113 24	Shift fork 2nd/3rd gear 4th/5th gear		2	
9	928 303 101 07	Gear shift rod 2nd/3rd gear		1	
10	928 303 105 20	Gear shift rod 1st gear Reverse gear		1	
11	928 303 115 36	Shift fork 1st gear Reverse gear		1	
12	928 303 284 15	Torsion spring		1	

Model: 928 83

Model life 1983>>1986



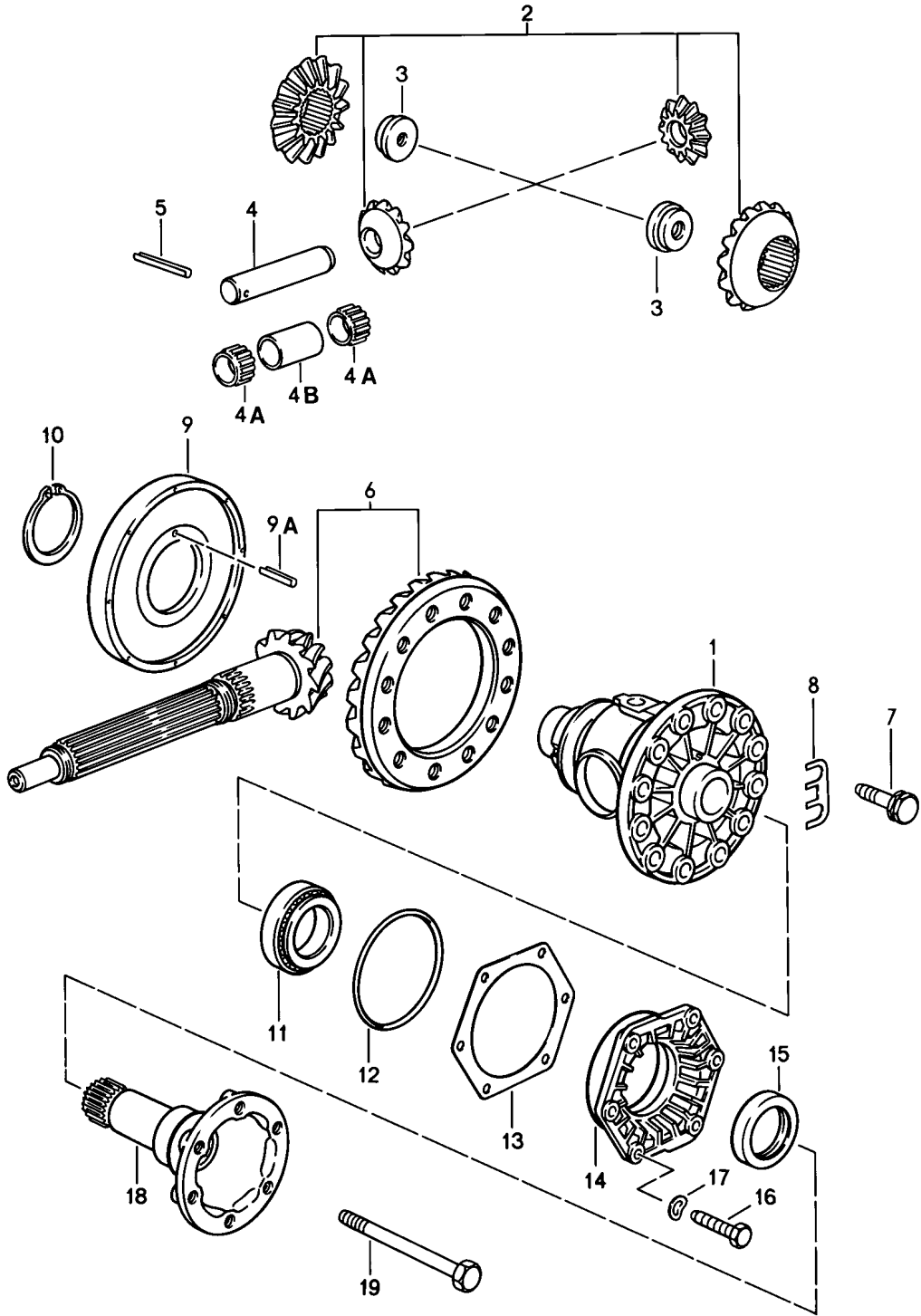
Model: 928 83

Model life 1983>>1986

Pos	Part Number	Description	Remark	Qty	Model
		Shift rods shift forks Manual transmission	85-		G28.10/11
1	928 303 107 30	Inner shift rod		1	
2	928 303 102 32	Gear shift rod 4th/5th gear		1	
(2)	928 303 102 33	Gear shift rod 4th/5th gear		1	
3	928 303 101 27	Gear shift rod 2nd/3rd gear		1	
4	928 303 105 27	Gear shift rod 1st gear Reverse gear		1	
5	928 303 113 27	Shift fork 2nd/3rd gear 4th/5th gear		2	
6	928 303 115 41	Shift fork 1st gear Reverse gear		1	
(6)		Shift fork 1st gear Reverse gear		1	
7	N 013 317 1	Roll pin		3	
8	900 025 007 02	Washer A 8,4		2	
8	900 025 007 03	Washer A 8,4		2	
9	N 010 359 4	Hexagon-head bolt M 8 X 40		2	
10	900 309 013 00	Roll pin		1	
11	928 303 032 01	Preselector lever	85	1	
(11)	928 303 032 06	Preselector lever	86	1	
(11)		Preselector lever		1	
12	928 303 301 03	Shift segment		1	
13	928 303 034 03	Spring		1	
(13)	928 303 034 09	Spring		1	
14	928 303 333 01	Washer	85	1	
15	928 303 331 03	Threaded bolt M 14 X 1		1	
16	N 012 410 1	Circlip 10 X 1	85	1	
17	999 076 032 02	Hexagon nut M 14 X 1		1	
18	999 070 012 02	Cap nut M 14 X 1		1	
19	928 303 030 00	Bolt		1	
20	928 303 309 01	Compression spring		1	
21	900 108 038 00	Ball		1	
22	928 303 311 00	Guide sleeve		1	
23	928 303 313 00	Gasket		1	
24	928 303 117 08	Shift finger		1	
25	N 011 524 7	Washer A 6,4		2	
25	N 011 524 27	Washer A 6,4		2	
26	900 075 016 02	Hexagon-head bolt		2	
26	900 075 016 03	Hexagon-head bolt		2	

Model: 928 83

Model life 1983>>1986



Model: 928 83 Model life 1983>>1986

Pos	Part Number	Description	Remark	Qty	Model
1	928 332 212 05	Differential Manual transmission Differential housing G >> 11E 00191 G >> 11E 05224	-84 85-	1	G28.07/08 G28.10/11 G28.07 G28.08
1	928 332 212 08	Differential housing G 11E 00192 >> G 11E 05225 >> G 11F 00001 >> G 11F 05001 >>		1	G28.07 G28.08 G28.10 G28.11
2	928 332 902 01	Differential pinions 1 set G >> 11E 00191 G >> 11E 05224		1	G28.07 G28.08
2	928 332 902 90	Differential pinions 1 set G >> 11E 00191 G >> 11E 05224		1	G28.07 G28.08
2	950 332 902 90	Differential pinions 1 set G >> 11E 00191 G >> 11E 05224		1	G28.07 G28.08
2	928 332 902 02	Differential pinions 1 set G 11E 00192 >> G 11E 05225 >> G 11F 00001 >> G 11F 05001 >>		1	G28.07 G28.08 G28.10 G28.11
3	928 332 279 02	Nut G >> 11E 00191 G >> 11E 05224		2	G28.07 G28.08
3	928 332 279 03	Threaded disc G 11E 00192 >> G 11E 05225 >> G 11F 00001 >> G 11F 05001 >>		2	G28.07 G28.08 G28.10 G28.11
4	928 332 207 05	Differential bolt 21 MM \$ G >> 11E 00191 G >> 11E 05224		1	G28.07 G28.08
4	928 332 207 07	Differential bolt 18 MM \$ G 11E 00192 >> G 11E 05225 >> G 11F 00001 >> G 11F 05001 >>		1	G28.07 G28.08 G28.10 G28.11
4A	999 201 416 00	Needle cage G 11E 00192 >> G 11E 05225 >> G 11F 00001 >> G 11F 05001 >>		2	G28.07 G28.08 G28.10 G28.11
(4A)	999 201 237 00	Needle cage		2	
4B	928 332 205 01	Spacer sleeve G 11E 00192 >> G 11E 05225 >> G 11F 00001 >> G 11F 05001 >>		1	G28.07 G28.08 G28.10 G28.11
5	900 309 035 00	Roll pin 5 X 40		1	
6	928 302 911 27	Ring gear and pinion shaft 11 : 30		1	G28.07
(6)	928 302 911 32	Ring gear and pinion shaft 15 : 34		1	G28.08

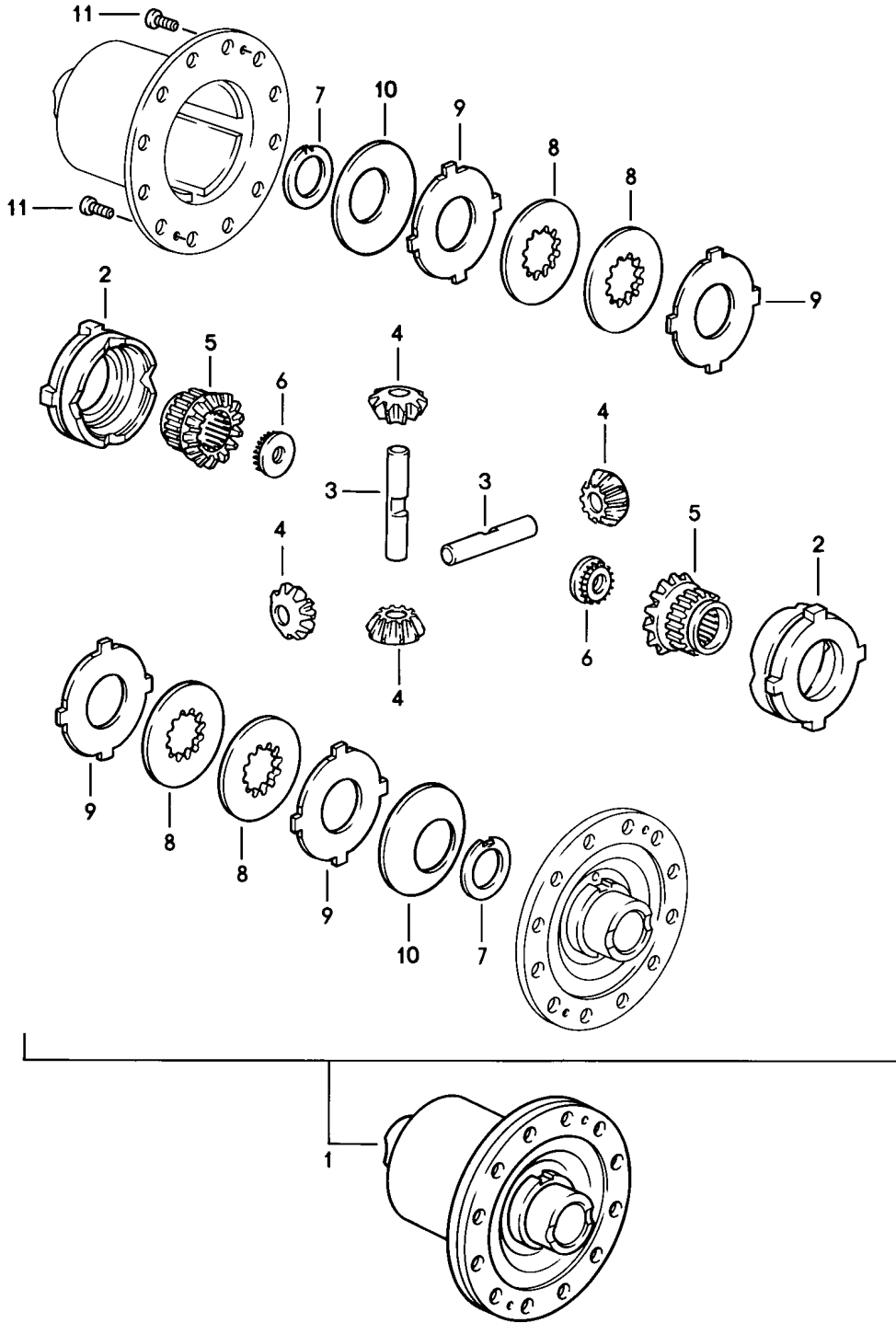
Model: 928 83

Model life 1983>>1986

Pos	Part Number	Description	Remark	Qty	Model
(6)	928 302 911 55	Ring gear and pinion shaft 11 : 30		1	G28.10
(6)	928 302 911 56	Ring gear and pinion shaft 15 : 33		1	G28.11
7	928 332 276 03	Hexagon-head bolt		12	
8	928 332 285 00	Tab washer		6	
9	928 318 024 02	Carrier disc with magnets	-85	1	
(9)	928 318 024 05	Carrier disc with magnets	86	1	
9A	N 043 285 1	Roll pin 5 X 20		1	
10	999 152 089 01	Circlip		1	
11	999 059 027 00	Taper roller bearing FAG		2	
11	999 059 027 02	Taper roller bearing FAG		2	
12	928 332 217 02	O-ring		2	
13	928 332 219 00	Adjusting shim 0,15 MM		X	
(13)	928 332 219 01	Adjusting shim 0,20 MM		X	
(13)	928 332 219 02	Adjusting shim 0,25 MM		X	
(13)	928 332 219 03	Adjusting shim 0,30 MM		X	
(13)	928 332 219 04	Adjusting shim 0,10 MM		X	
14	928 332 213 02	Housing		2	
15	928 332 215 02	Shaft sealing ring		2	
16	900 075 099 02	Hexagon-head bolt M 8 X 30		12	
16	900 075 099 03	Hexagon-head bolt M 8 X 30		12	
17	900 025 007 02	Washer A 8,4		12	
17	900 025 007 03	Washer A 8,4		12	
18	928 332 206 00	Joint flange	-84	2	G28.07/08
(18)	928 332 206 10	Joint flange	85-	2	G28.10/11
19	900 074 292 02	Hexagon-head bolt M 10 X 98		2	

Model: 928 83

Model life 1983>>1986



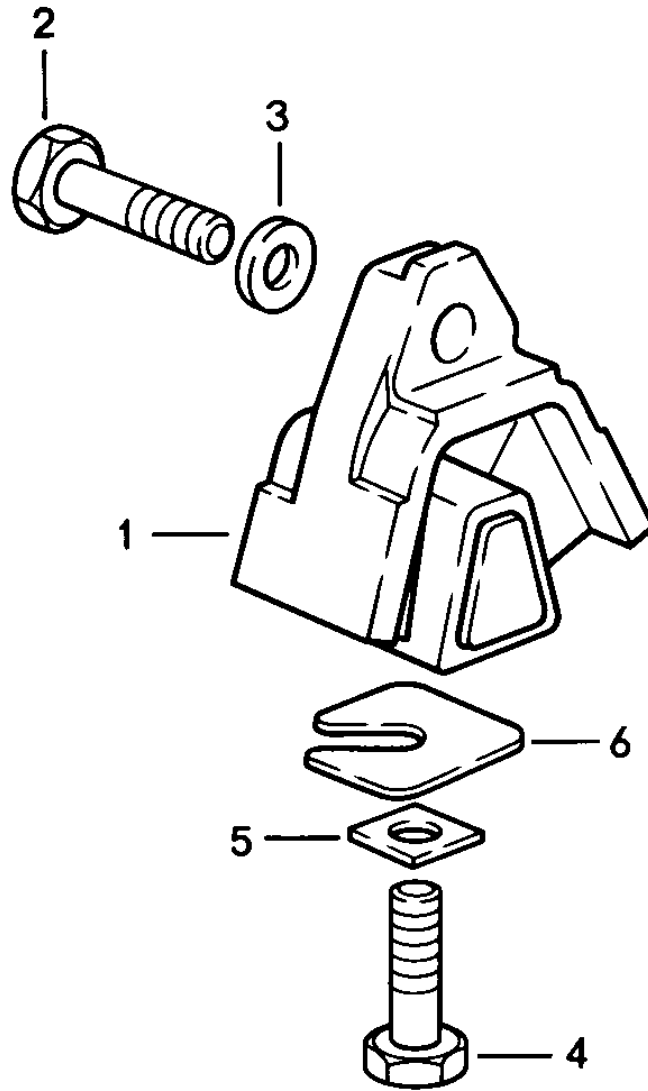
Model: 928 83

Model life 1983>>1986

Pos	Part Number	Description	Remark	Qty	Model
		Limited-slip differential Manual transmission			G28.07/08 G28.10/11
(1)	928 332 052 20	Limit.-slip different. 40%		1	
2	928 332 511 00	Thrust ring		2	
3	928 332 541 00	Differential shaft		2	
4	928 332 531 00	Bevel pinion		4	
5	930 332 535 01	Shaft bevel gear	83	2	
(5)	928 332 535 01	Shaft bevel gear	84-	2	
6	928 332 279 01	Threaded disc		2	
7	901 332 561 11	Thrust washer		2	
8	928 332 551 00	Inner disc 2,0 MM		4	
9	917 332 552 10	Disc with external splines 1,9 MM		4	
(9)	917 332 552 11	Disc with external splines 2,0 MM		X	
(9)	917 332 552 12	Disc with external splines 2,1 MM		X	
10	928 332 555 00	Cup spring	83	2	
(10)	928 332 555 20	Cup spring	84-	2	
11	N 014 765 2	Pan-head screw M 6 X 10	83-	2	
(11)	900 249 023 00	Countersunk-head screw M 6 X 10	84-	2	

Model: 928 83

Model life 1983>>1986



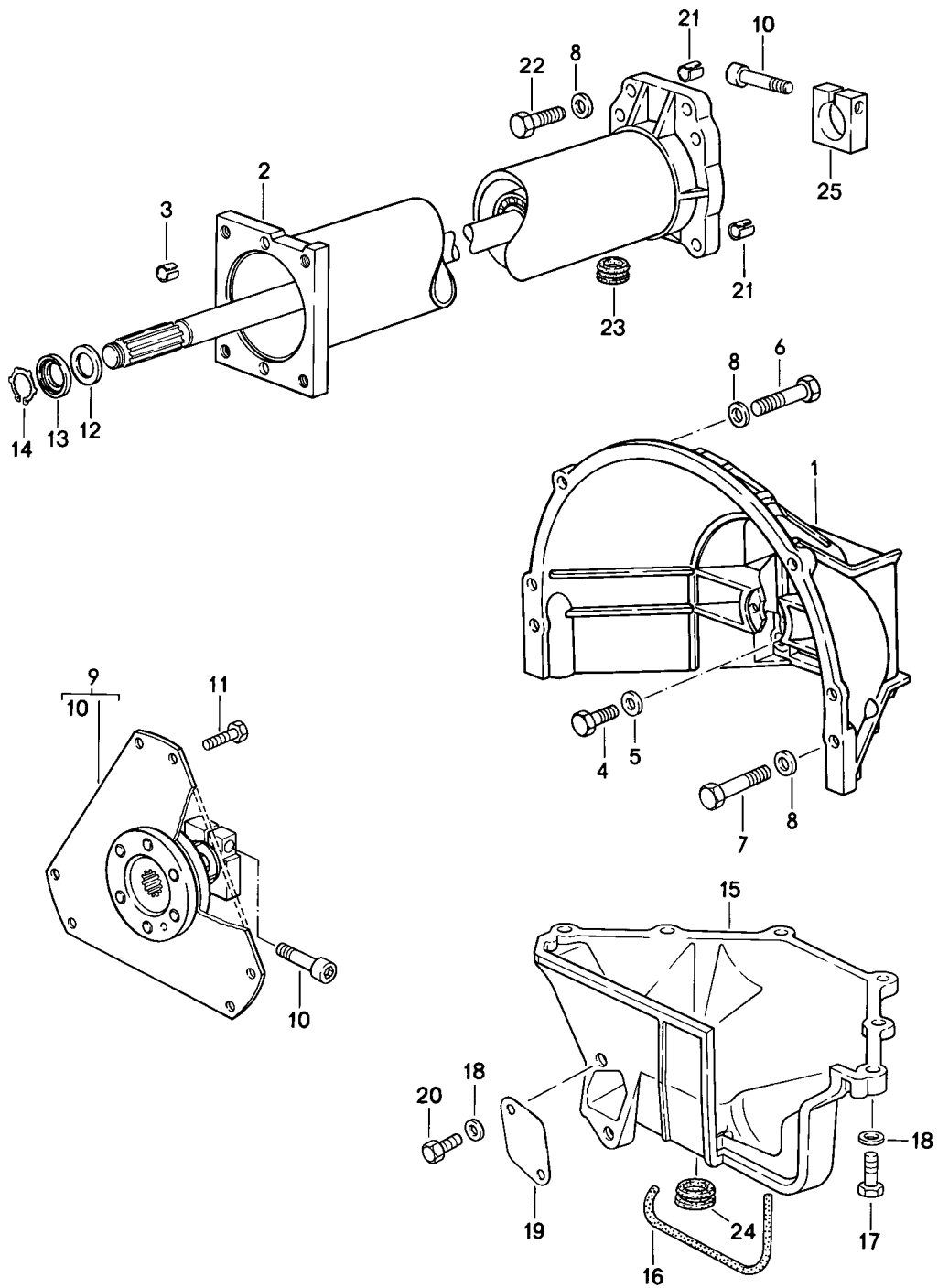
Model: 928 83

Model life 1983>>1986

Pos	Part Number	Description	Remark	Qty	Model
		Transmission suspension			
		Manual transmission			
1	928 375 045 16	Transmission mounting		2	
2	N 010 142 2	Hexagon-head bolt		2	
		M 12 X 1,5 X 50			
3	901 333 143 01	Washer		4	
3	999 025 091 02	Washer		2	
4	N 040 108 1	Hexagon-head bolt		2	
		M 12 X 1,5 X 40			
5	999 025 086 02	Square washer		2	
		12,1 X 24			
6	928 331 520 01	Washer		X	
(6)	928 331 520 02	Washer		X	
(6)	928 331 520 03	Washer		X	
(6)	928 331 520 04	Washer		X	

Model: 928 83

Model life 1983>>1986



Model: 928 83

Model life 1983>>1986

Pos	Part Number	Description	Remark	Qty	Model
		Automatic transmission 4th speed Central tube			A28.01/02/03 A28.04/05/06 A28.07/08/09 A28.11
1	928 116 402 00	Clutch housing		1	
2	960 421 012 02	Central tube	-84	1	
		Ready for installation			
(2)	960 421 012 07	Central tube		1	
		Ready for installation			
3	900 197 042 01	Roll pin 10 X 12		2	
4	N 010 445 2	Hexagon-head bolt		4	
		BM 10 X 45			
4	900 074 372 01	Hexagon-head bolt		4	
		BM 10 X 45			
5	900 025 008 09	Washer A 10,5		4	
5	900 025 008 04	Washer A 10,5		4	
6	N 010 142 2	Hexagon-head bolt		2	
		M 12 X 1,5 X 50			
7	N 010 165 3	Hexagon-head bolt		2	
		M 12 X 1,5 X 65			
7	900 082 109 01	Hexagon-head bolt		2	
		M 12 X 1,5 X 65			
8	N 011 531 14	Washer A 13		8	
9	922 116 041 03	Drive plate		1	
10	931 421 240 00	Clamping screw		2	
11	003 323 699 A	Hexagon-head bolt		2	
11	003 323 699 B	Hexagon-head bolt		2	
12	900 234 116 02	Shim 22 X 32 X 0,5		X	
(12)	900 234 117 02	Shim 22 X 32 X 1,0		X	
(12)	900 234 118 02	Shim 22 X 32 X 1,5		X	
13	922 421 257 00	Bush		1	
14	900 273 003 01	Circlip 22 X 1,2		1	
15	928 116 412 01	Lid for Clutch housing		1	
16	928 116 427 02	Sealing strip 10 X 340		1	
17	900 075 099 02	Hexagon-head bolt M 8 X 30		6	
17	900 075 099 03	Hexagon-head bolt M 8 X 30		6	
18	900 025 007 02	Washer A 8,4		8	
18	900 025 007 03	Washer A 8,4		8	
19	922 116 121 00	Cover plate		1	
20	N 010 237 6	Hexagon-head bolt M 8 X 12		2	
20	N 010 237 14	Hexagon-head bolt M 8 X 12		2	
21	900 197 044 01	Tensioning sleeve 16 X 16		2	
22	900 082 072 01	Hexagon-head bolt M 12 X 1,5 X 50		4	
23	477 521 177	Cap		1	

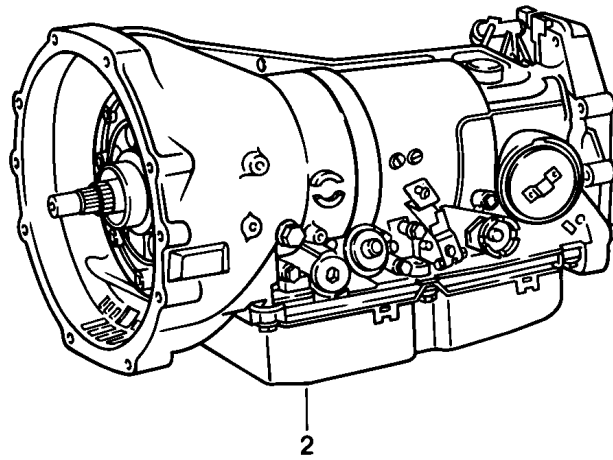
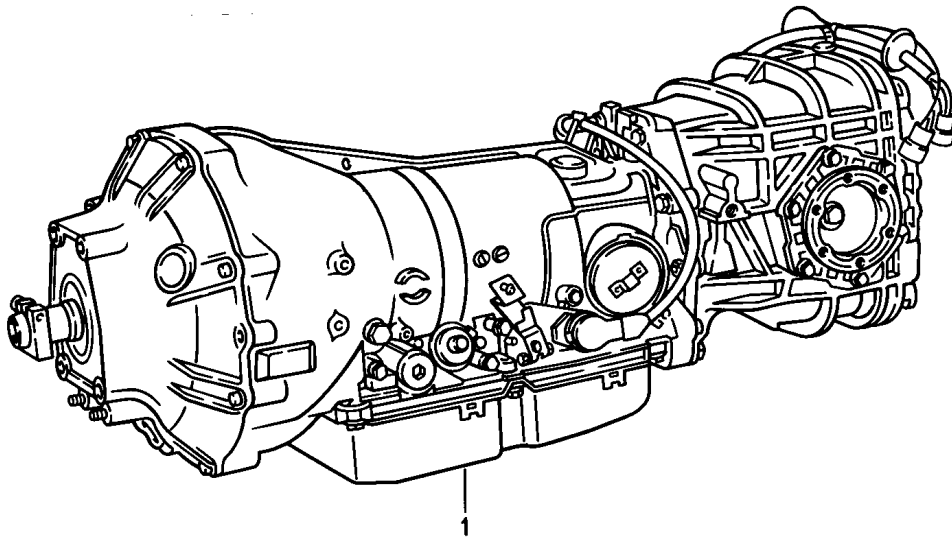
Model: 928 83

Model life 1983>>1986

Pos	Part Number	Description	Remark	Qty	Model
24	928 116 425 00	Cap		1	
25	922 421 239 02	Clamping piece		1	

Model: 928 83

Model life 1983>>1986

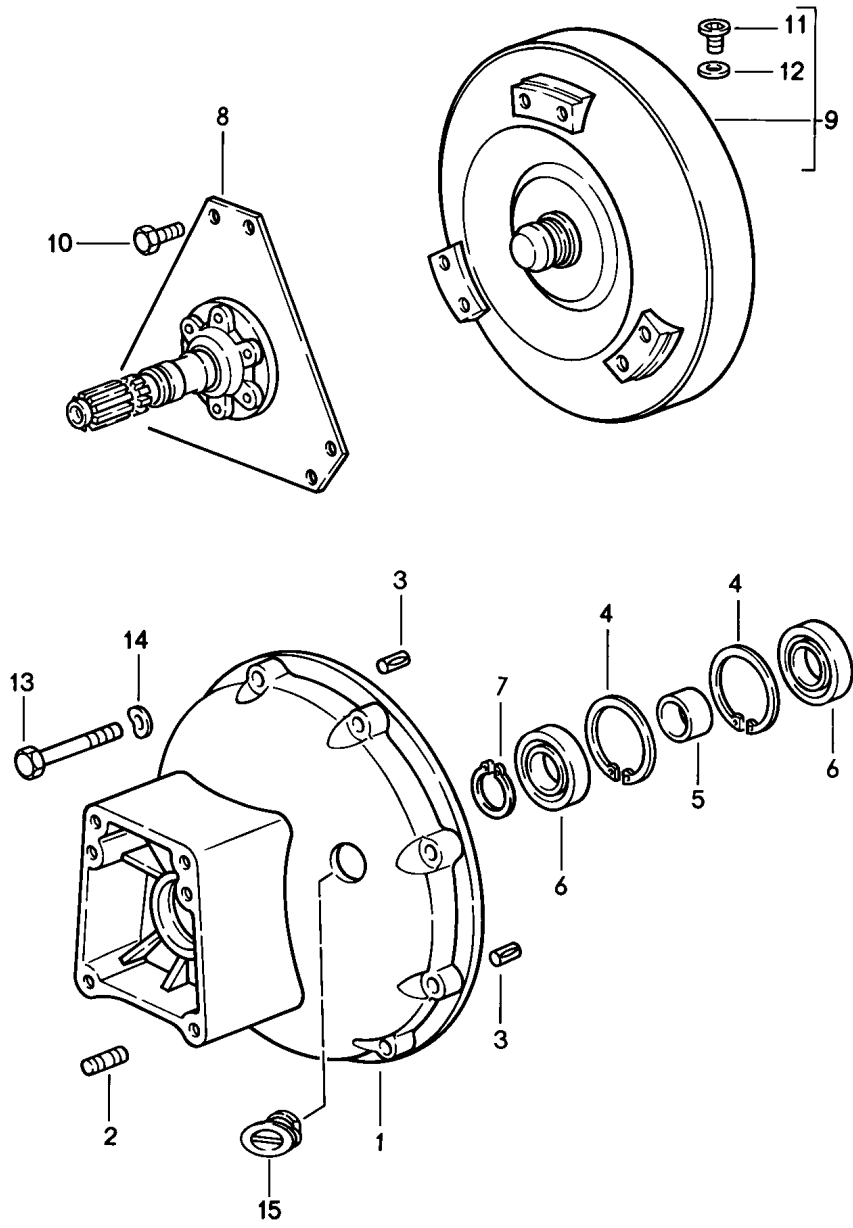


Model: 928 83 Model life 1983>>1986

Pos	Part Number	Description	Remark	Qty	Model
		Automatic transmission 4th speed Replacement transmission			A28.01/02/03 A28.04/05/06 A28.07/08/09 A28.11 A28.01
1	960 300 004 01	Automatic transmission 4-speed	-84	1	A28.01
1	960 300 004 04	Automatic transmission 4-speed	85	1	A28.04
(1)	960 300 004 07	F >>92GS8 60999 Automatic transmission 4-speed	86	1	A28.07
1	960 300 014 01	F 92GS8 61000>> Automatic transmission 4-speed	-84	1	A28.01
1	960 300 014 04	Limit.-slip different. 40% Automatic transmission 4-speed	85	1	A28.04
(1)	960 300 014 07	Limit.-slip different. 40% F >>92GS8 60999 Automatic transmission 4-speed	86	1	A28.07
2	722 270 120 1	Limit.-slip different. 40% F 92GS8 61000>> Short transmission without converter and Differential	-84	1	A28.01
(2)	722 270 250 1	Short transmission without converter and Differential	86	1	A28.07
2	722 270 170 1	Short transmission without converter and Differential	85	1	A28.04

Model: 928 83

Model life 1983>>1986



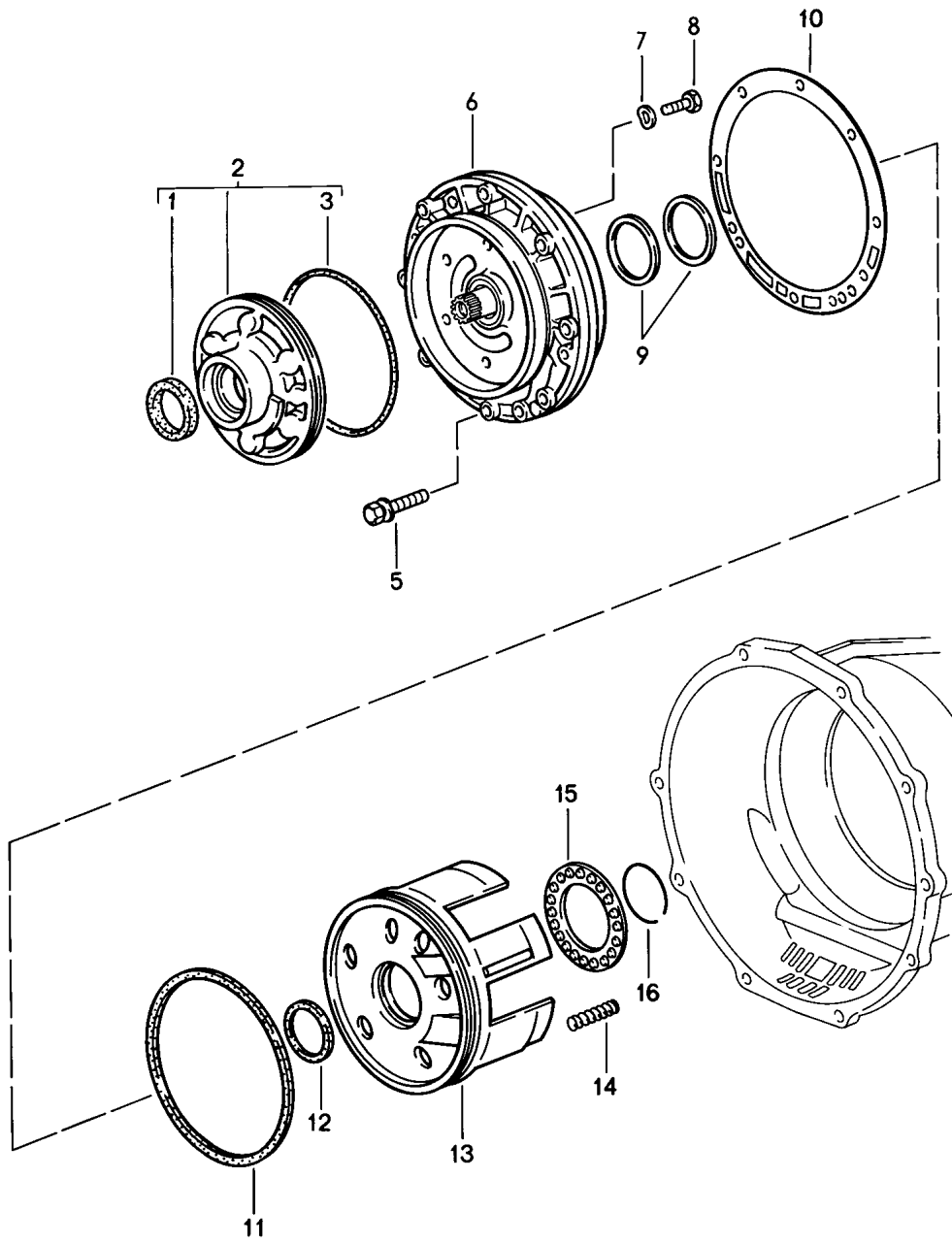
Model: 928 83

Model life 1983>>1986

Pos	Part Number	Description	Remark	Qty	Model
		Automatic transmission 4th speed			A28.01/02/03 A28.04/05/06
		Torque converter			A28.07/08/09
		Converter housing			A28.11
1	960 321 101 02	Converter housing		1	
2	999 062 004 02	Stud		2	
		BM 8 X 12			
3	900 185 011 02	Grooved pin		2	
4	N 012 292 1	Circlip		2	
		68 X 2,5			
5	922 421 260 00	Spacer sleeve		1	
6	900 052 122 00	Deep-groove ball bearing		2	
7	N 012 380 1	Circlip		1	
		40 X 1,75			
8	960 116 042 00	Drive plate		1	
9	722 250 050 2	Torque converter		1	A28.02/03/05 A28.06/07/08 A28.09
		A >> 547 628			A28.01/04
9	722 250 020 2	Torque converter		1	A28.07/11 A28.01/04
		A 547 629 >>			
10	003 323 699 A	Hexagon-head bolt		6	
10	003 323 699 B	Hexagon-head bolt		6	
11	900 219 010 02	Screw plug		1	
12	900 123 033 20	Sealing ring		1	
13	900 067 214 02	Pan-head screw		8	
		M 8 X 35			
13	900 067 214 01	Pan-head screw		8	
		M 8 X 35			
14	900 025 007 02	Washer		8	
		A 8,4			
14	900 025 007 03	Washer		8	
		A 8,4			

Model: 928 83

Model life 1983>>1986



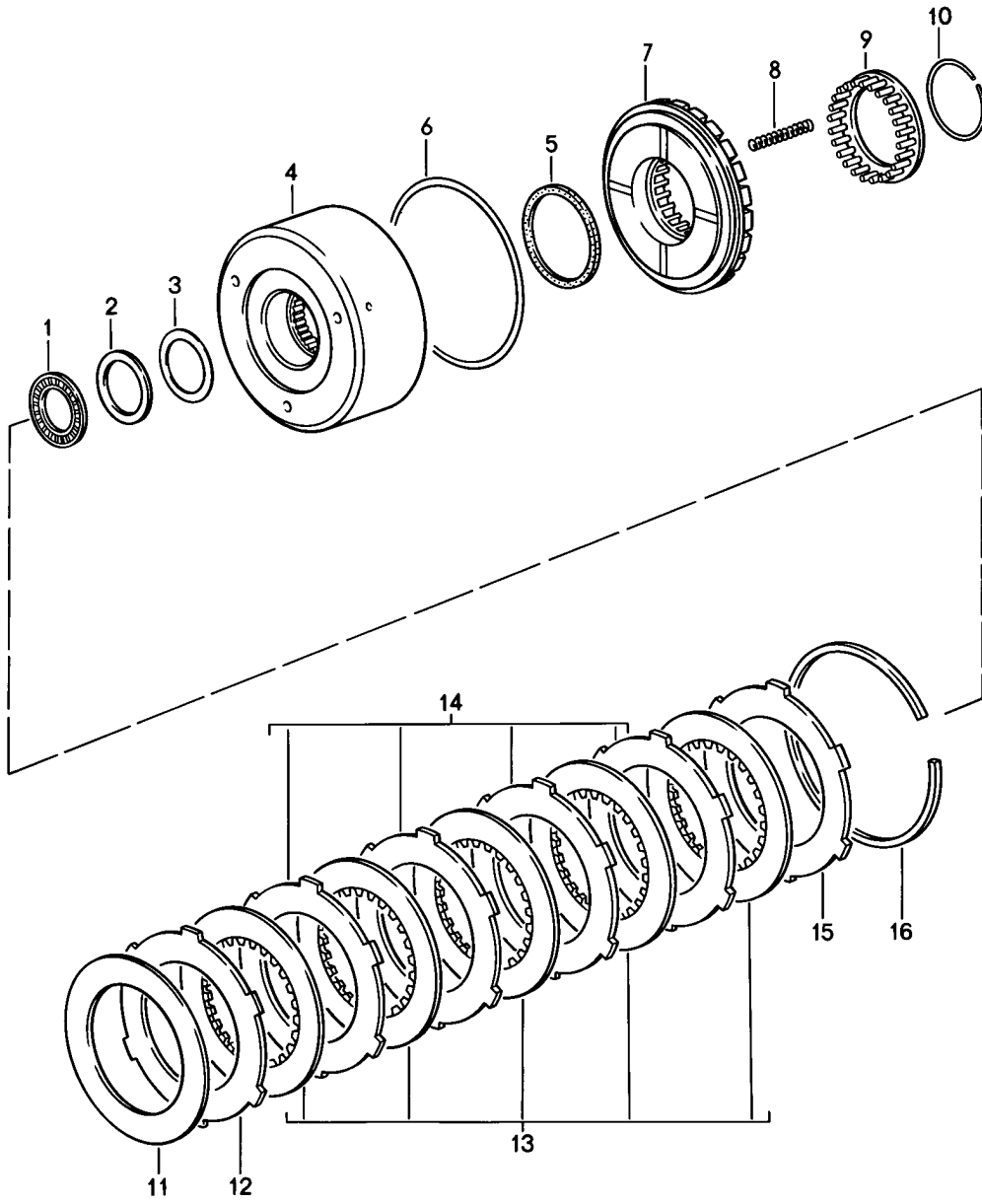
Model: 928 83

Model life 1983>>1986

Pos	Part Number	Description	Remark	Qty	Model
		Automatic transmission 4th speed Primary pump			A28.01/02/03 A28.04/05/06 A28.07/08/09 A28.11
1	018 997 044 7	Sealing ring		1	
2	722 270 009 7	Primary pump		1	
3	016 997 144 8	Sealing ring		1	
5	960 307 915 00	Combination screw M 8 X 40		9	
6	722 270 050 5	Lid		1	
7	N 012 241 8	Spring washer B 8		6	
8	N 040 222 2	Hexagon-head bolt M 8 X 32		6	
9	126 272 095 5	Sealing ring		2	
10	126 271 128 0	Gasket		1	
11	126 272 019 2	Boot		1	
12	126 272 009 2	Boot		1	
13	126 272 093 1	Piston		1	
14	100 993 040 2	Spring		20	
15	126 272 036 4	Concave washer		1	
16	126 994 043 5	Circlip		1	

Model: 928 83

Model life 1983>>1986

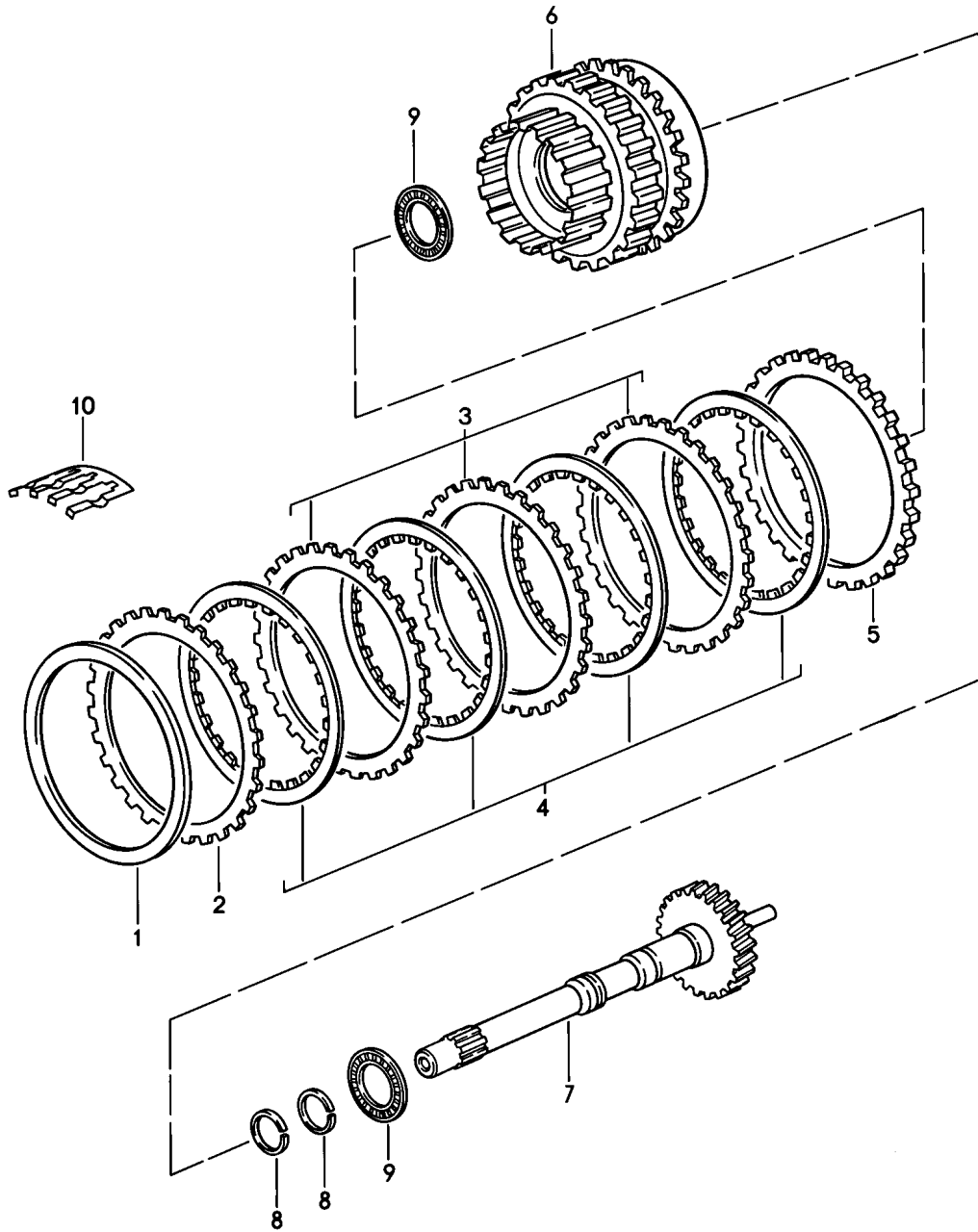


Model: 928 83 Model life 1983>>1986

Pos	Part Number	Description	Remark	Qty	Model
		Automatic transmission			A28.01/02/03
		4th speed			A28.04/05/06
		Clutch			A28.07/08/09
		K 1			A28.11
1	007 981 681 0	Needle-roller bearing		1	
2	000 272 256 2	Thrust washer		1	
3	126 272 055 2	Spacer		X	
		0,1 MM			
(3)	126 272 065 2	Spacer		X	
		0,2 MM			
(3)	126 272 075 2	Spacer		X	
		0,5 MM			
4	126 270 762 8	Disc carrier		1	
		K 1			
5	126 272 039 2	Boot		1	
		Inner			
6	109 272 099 2	Boot		1	
		Outer			
7	126 272 113 1	Piston		1	
		K 1			
8	126 993 700 2	Spring		24	
9	126 272 106 4	Concave washer		1	
10	126 994 063 5	Circlip		1	
11	126 993 172 6	Cup spring		1	
12	126 272 492 6	Disc with external splines		1	
		2,0 MM		1	
13	126 272 062 5	Inner disc		1	
		2,14 MM			
14	126 272 502 6	Disc with external splines		X	
		3,5 MM			
(14)	126 272 512 6	Disc with external splines		X	
		4,0 MM			
15	126 272 322 6	Disc with external splines		1	
		4,5 MM			
16	126 994 053 4	Circlip		X	
		2,0 MM			
(16)	126 994 063 4	Circlip		X	
		2,5 MM			
(16)	126 994 073 4	Circlip		X	
		3,0 MM			

Model: 928 83

Model life 1983>>1986



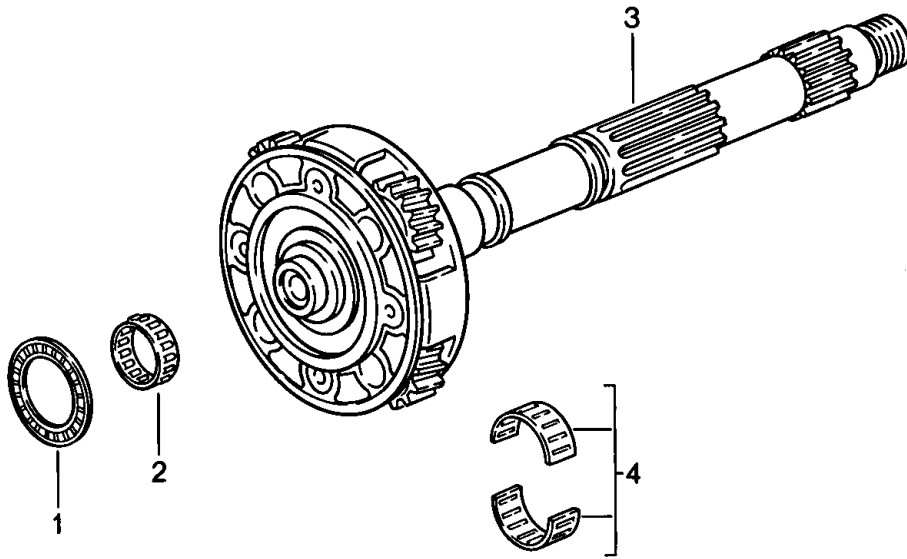
Model: 928 83

Model life 1983>>1986

Pos	Part Number	Description	Remark	Qty	Model
		Automatic transmission 4th speed Drive shaft Gear set			A28.01/02/03 A28.04/05/06 A28.07/08/09 A28.11
1	126 272 095 2	Spacer 2,5 MM		X	
(1)	126 272 105 2	Spacer 3,0 MM		X	
(1)	126 272 115 2	Spacer 3,5 MM		X	
2	126 272 682 6	Disc with external splines 2,8 MM		1	
3	126 272 672 6	Disc with external splines 2,3 MM		X	
(3)	126 272 682 6	Disc with external splines 2,8 MM		X	
4	126 272 092 5	Inner disc 2,1 MM		4	
5	126 272 692 6	Disc with external splines 7,7 MM		1	
6	126 270 044 3	Planet-gear carrier		1	
7	722 270 002 5	Drive shaft		1	
8	126 272 005 5	Sealing ring		2	
9	007 981 991 0	Needle-roller bearing		2	
10	126 993 031 5	Spring A >> 379 224		1	
(10)	126 993 041 5	Spring A 379 225 >>		1	

Model: 928 83

Model life 1983>>1986



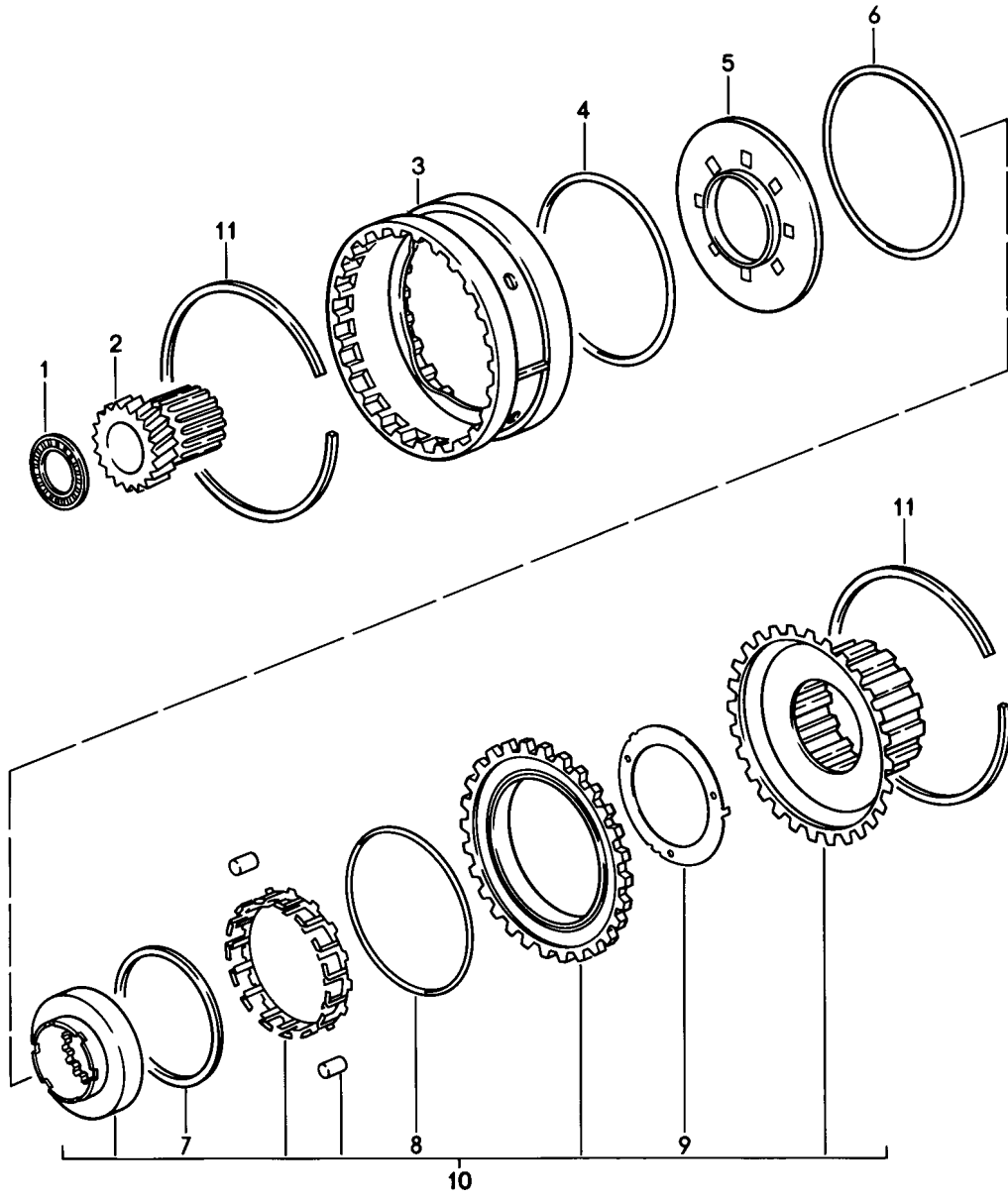
Model: 928 83

Model life 1983>>1986

Pos	Part Number	Description	Remark	Qty	Model
		Automatic transmission 4th speed Planet-gear carrier			A28.01/02/03 A28.04/05/06 A28.07/08/09 A28.11
1	007 981 571 0	Needle-roller bearing		1	
2	008 981 001 0	Needle-roller bearing		1	
3	722 270 144 3	Planet-gear carrier		1	
4	011 981 821 0	Needle-roller bearing		1	

Model: 928 83

Model life 1983>>1986



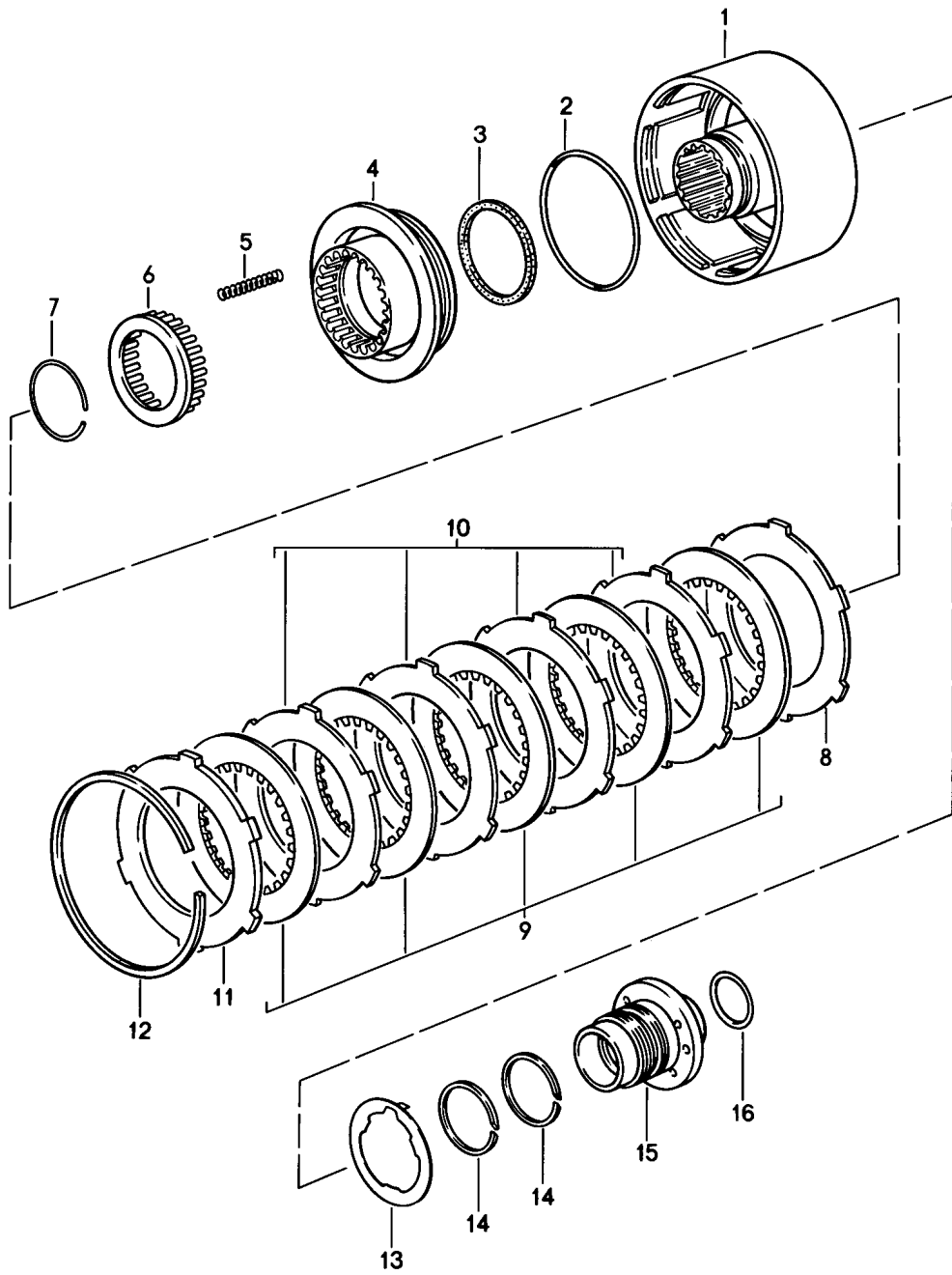
Model: 928 83

Model life 1983>>1986

Pos	Part Number	Description	Remark	Qty	Model
		Automatic transmission 4th speed Free wheel lock			A28.01/02/03 A28.04/05/06 A28.07/08/09 A28.11
1	007 981 571 0	Needle-roller bearing		1	
2	126 272 000 7	Sun gear		1	
3	126 272 100 8	Driver		1	
4	126 272 175 2	Shim 0,1 MM		X	
(4)	126 272 185 2	Shim 0,2 MM		X	
(4)	126 272 195 2	Shim 0,5 MM		X	
5	126 270 007 6	Washer		1	
6	009 997 604 8	Sealing ring		1	
7	126 272 176 2	Thrust washer		1	
8	000 997 614 8	Sealing ring		1	
9	126 272 306 2	Thrust washer		1	
10	126 270 503 1	Free wheel lock		1	
11	126 272 017 3	Circlip		2	

Model: 928 83

Model life 1983>>1986



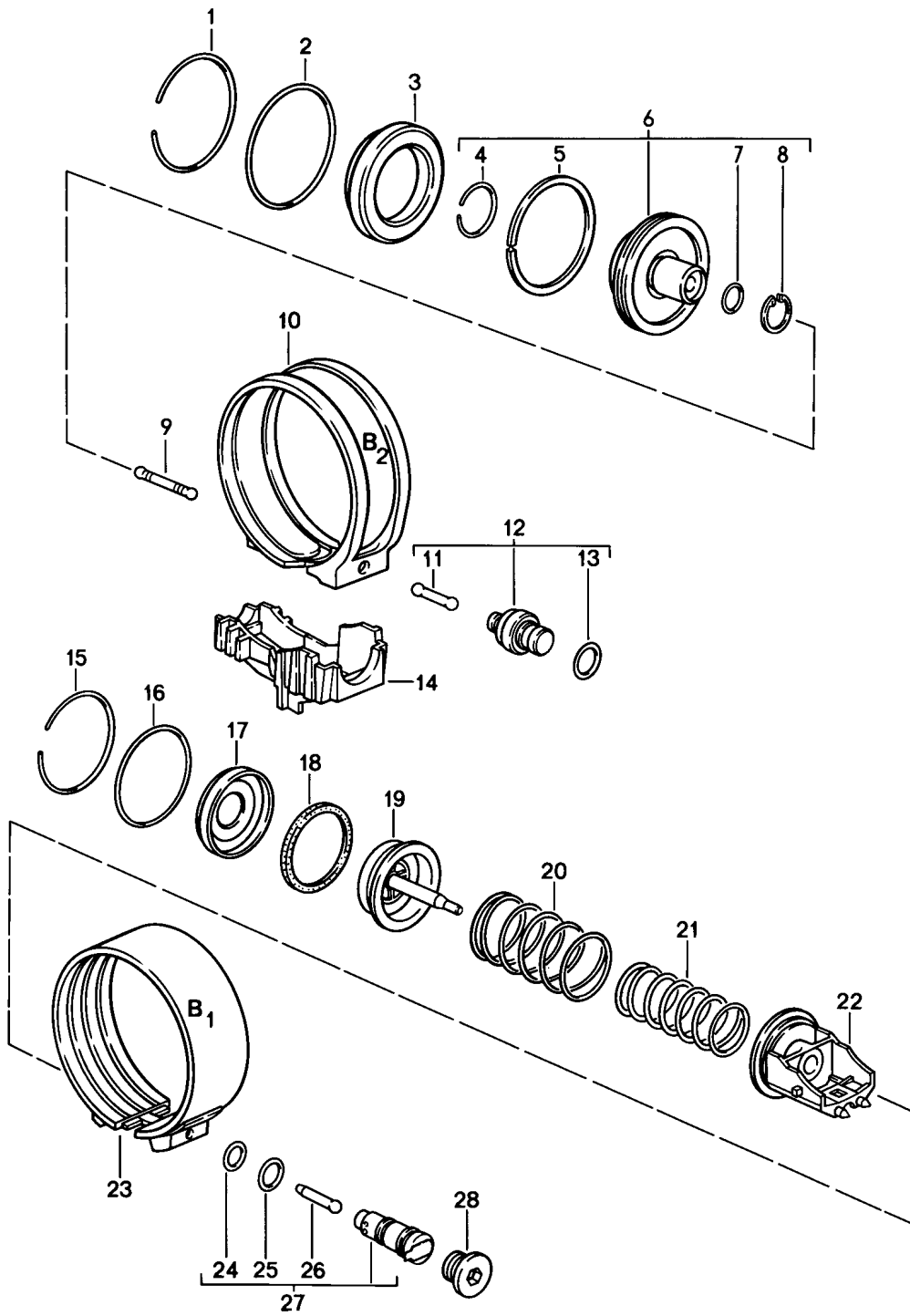
Model: 928 83

Model life 1983>>1986

Pos	Part Number	Description	Remark	Qty	Model
		Automatic transmission 4th speed Clutch K 2			A28.01/02/03 A28.04/05/06 A28.07/08/09 A28.11
1	126 270 892 8	Disc carrier		1	
2	126 272 025 5	Sealing ring		1	
3	126 272 039 2	Boot		1	
4	126 272 123 1	Piston		1	
5	126 993 070 3	Spring		21	
6	126 272 026 4	Concave washer		1	
7	126 994 063 5	Circlip		1	
8	126 272 472 6	Disc with external splines 2,0 MM		1	
9	126 272 072 5	Inner disc 2,14 MM		5	
10	126 272 362 6	Disc with external splines 3,0 MM		X	
(10)	126 272 482 6	Disc with external splines 3,5 MM		X	
(11)	126 272 342 6	Disc with external splines 4,5 MM		X	
12	126 272 027 3	Circlip 2,0 MM		X	
(12)	126 994 033 4	Circlip 2,5 MM		X	
(12)	126 994 043 4	Circlip 3,0 MM		X	
13	126 272 226 2	Thrust washer		1	
14	126 272 095 5	Sealing ring		2	
15	722 272 014 5	Flange		1	
16	006 997 754 8	Sealing ring		1	

Model: 928 83

Model life 1983>>1986



Model: 928 83 Model life 1983>>1986

Pos	Part Number	Description	Remark	Qty	Model
		Automatic transmission 4th speed Brake bands			A28.01/02/03 A28.04/05/06 A28.07/08/09 A28.11
1	126 994 013 5	Circlip		1	
2	005 997 704 8	Sealing ring		1	
3	126 277 090 3	Lid		1	
4	900 906 037 00	Circlip A 42		1	
5	126 277 075 5	Sealing ring		1	
5	126 277 245 5	A >> 767 604 Sealing ring A 767 605 >>		1	
6	126 270 203 2	Piston		1	
7	126 277 095 5	Sealing ring		1	
8	900 042 005 01	Circlip 25 X 1,2		1	
9	126 277 717 5	Pin 47,2 MM		X	
(9)	126 277 727 5	Pin 48,0 MM		X	
(9)	126 277 737 5	Pin 48,8 MM		X	
(9)	126 277 747 5	Pin 49,6 MM		X	
10	126 270 206 2	Brake band		1	
10		Brake band without asbestos		1	
11	126 277 007 5	Pin A >> 383 607		1	
(11)	126 277 517 5	Pin A 383 608 >>		1	
12	126 270 028 9	Valve A >> 383 607		1	
(12)	126 270 208 9	Valve A 383 608 >>		1	
13	005 997 814 8	Sealing ring		1	
14	126 277 094 0	Support		1	
15	126 994 083 5	Circlip		1	
16	005 997 864 8	Sealing ring		1	
17	126 277 020 3	Lid		1	
18	115 272 109 2	Boot		1	
19	126 270 453 2	Piston 68 MM		1	
(19)	126 270 473 2	Piston 69 MM		1	
(19)	126 270 493 2	Piston 70 MM		1	
(19)	126 270 513 2	Piston 71 MM		1	
(19)	126 270 533 2	Piston 72 MM		1	
(19)	126 270 553 2	Piston 73 MM		1	
(19)	126 270 573 2	Piston 74 MM		1	
20	126 993 010 1	Spring 95,3 MM		1	
21	126 993 570 1	Spring 111,6 MM		1	
22	126 277 574 0	Support		1	
23	126 270 186 2	Brake band		1	
24	005 997 804 8	Sealing ring		1	

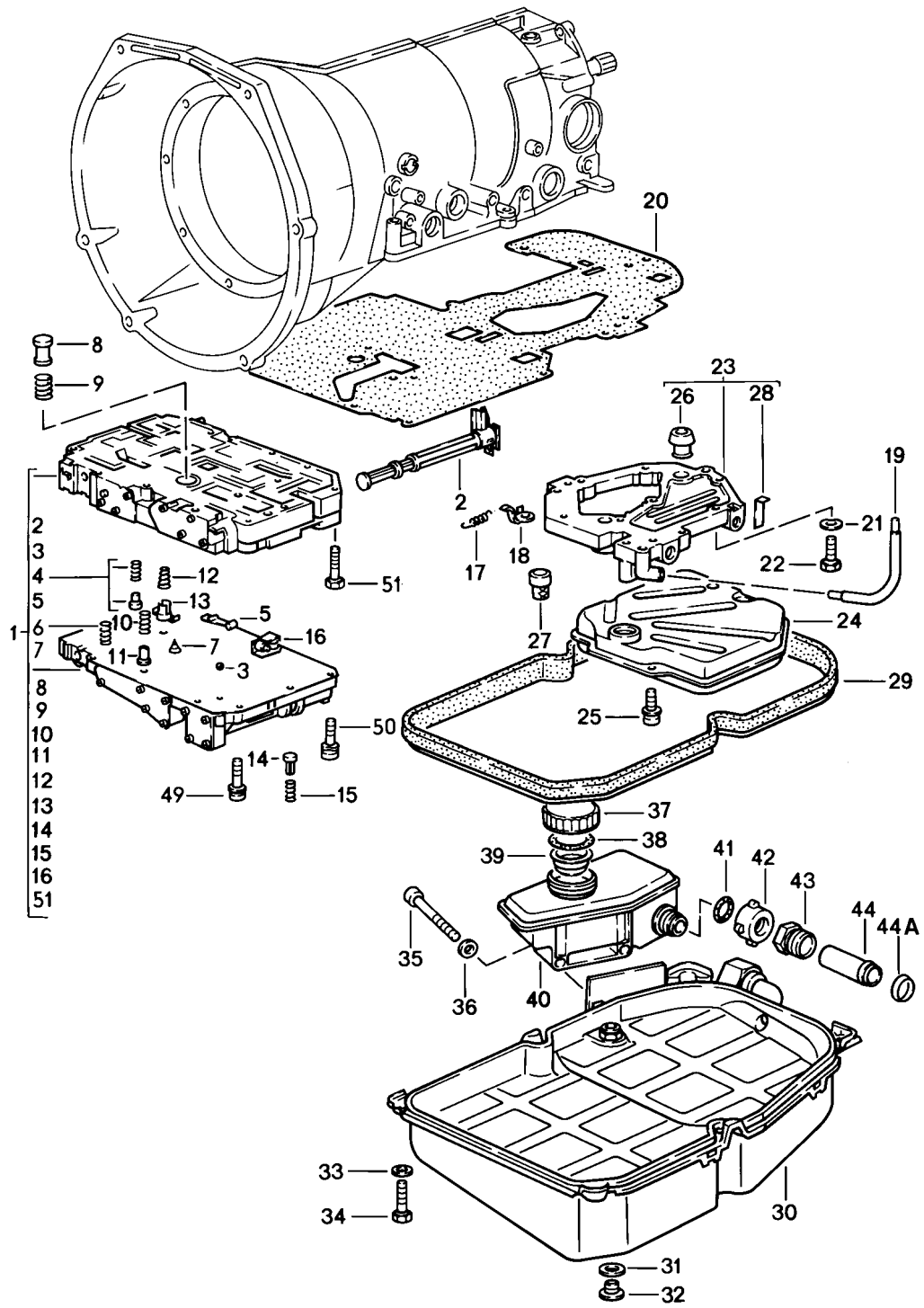
Model: 928 83

Model life 1983>>1986

Pos	Part Number	Description	Remark	Qty	Model
25	010 997 084 5	Sealing ring		1	
26	126 277 097 5	Pin		1	
27	123 270 018 9	Valve		1	
28	126 997 023 0	Screw		1	

Model: 928 83

Model life 1983>>1986



Model: 928 83 Model life 1983>>1986

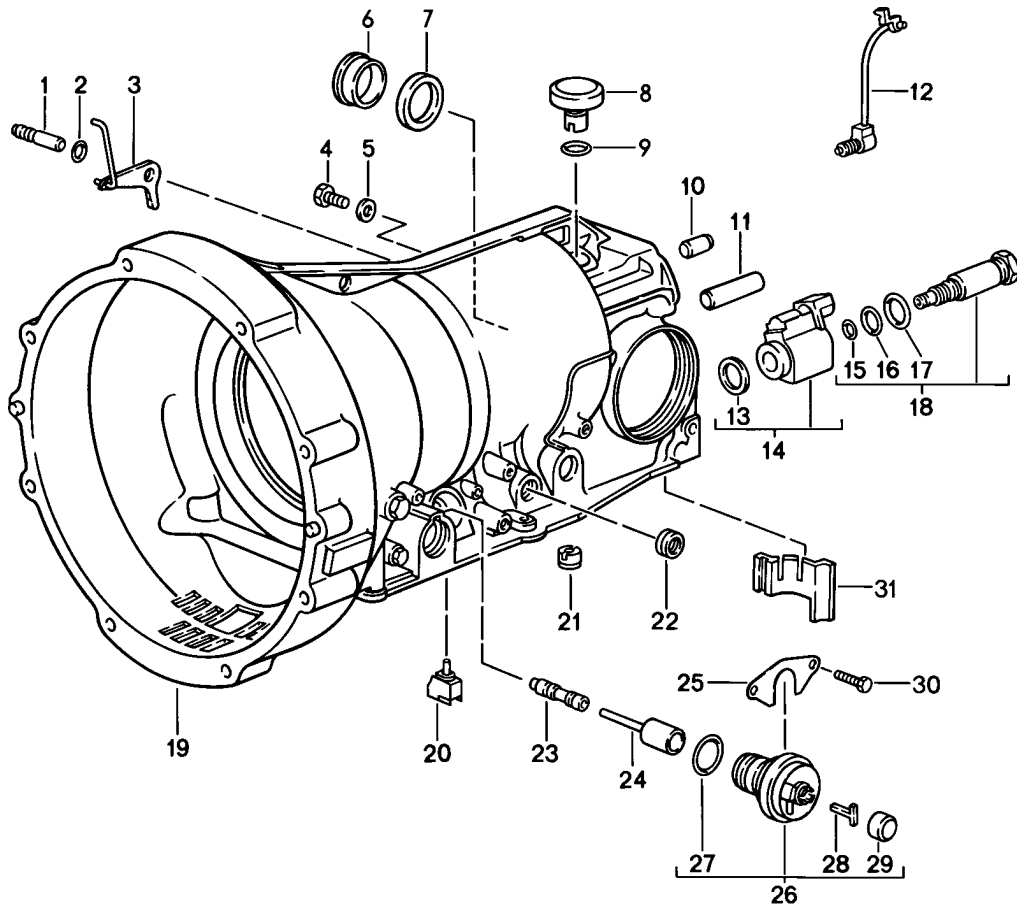
Pos	Part Number	Description	Remark	Qty	Model
		Automatic transmission 4th speed Slide-valve gearbox			A28.01/02/03 A28.04/05/06 A28.07/08/09 A28.11
1	722 270 200 7	Shift-valve body A >> 547 628		1	A28.01/04
1	722 270 250 7	Shift-valve body Together with Temperature restrictor 126 270 105 0		1	A28.04/07
1		A 547 629 >> 696 928 Shift-valve body		1	A28.07/08 A28.09/11
1		A 696 929 >> Shift-valve body		1	A28.02/03 A28.05/06
2	126 270 057 0	Regulating valve		1	
3	116 991 002 9	Ball		18	
4	126 270 047 0	Slide		1	
5	126 270 148 9	Valve		1	
6	722 993 080 1	Spring		1	
7	115 993 150 5	Spring		1	
8	126 277 193 6	Valve		1	
9	126 993 200 2	Spring		1	
10	115 993 280 4	Spring		1	
11	126 270 198 9	Valve		1	
12	126 993 690 3	Spring		1	
13	126 277 223 6	Valve		1	
14	126 277 263 6	Valve		1	
15	126 993 730 3	Spring		1	
16	126 270 178 9	Valve		1	
17	722 993 001 0	Spring		1	
18	722 278 004 0	Retaining bracket		1	A28.01
19	126 277 004 7	Oil tube		1	
20	126 277 028 0	Sealing ring		1	
21	N 012 226 5	Spring washer B 6		9	
22	N 010 220 3	Hexagon-head bolt		9	
23	722 270 030 5	Lid		1	
24	126 277 029 5	Oil filter		1	
25	960 307 911 00	Combination screw M 5 X 12		3	
26	126 270 058 9	Valve		1	
27	126 270 019 8	Strainer		2	
28	126 277 007 3	Lock 24 MM		1	
29	126 271 028 0	Oil sump gasket		1	
(30)	960 307 031 04	Oil pan A >> 16E 01141		1	A28.01
30	722 270 091 2	Oil pan A 16E 01142 >>		1	A28.01/04
30		Oil pan		1	A28.02/03 A28.05/06
30		Oil pan		1	A28.02/03 A28.05/06
(30)	722 270 111 2	Oil pan	86 86	1	A28.07/08 A28.09/11
31	900 123 062 30	Gasket		1	
32	960 307 912 00	Screw plug		1	
33	900 025 007 02	Washer A 8,4		6	
33	900 025 007 03	Washer A 8,4		6	

Model: 928 83 Model life 1983>>1986

Pos	Part Number	Description	Remark	Qty	Model
34	N 010 244 11	Hexagon-head bolt M 8 X 30		6	
34	N 010 244 25	Hexagon-head bolt M 8 X 30		6	
35	N 014 749 2	Pan-head screw		2	
(35)	900 067 008 02	Pan-head screw	86- 86-	2	A28.07/08 A28.09/11
(35)	900 067 008 03	M 6 X 40 Pan-head screw	86-	2	A28.07/08 A28.09/11
36	N 011 666 7	M 6 X 40 Washer B 6,4		2	
37	477 321 481	Screw-on cap		1	
(37)	960 307 481 00	Threaded cover	86 86	1	A28.07/08 A28.09/11
38	477 321 483 A	Gasket		1	
39	477 321 479 A	Strainer		1	
(40)	960 307 475 01	Filling container A >> 16E 01141		1	A28.01
40	960 307 475 02	Filling container A 16E 01142 >>		1	A28.01/04
40		Filling container		1	A28.02/03 A28.05/06
(40)	960 307 075 00	Filling container	86 86	1	A28.07/08 A28.09/11
41	477 321 487	O-ring		X	
42	477 321 485	Union nut		1	
43	011 321 387 A	Cap screw		1	
(44)	960 307 407 01	Filler tube A >> 16E 01141		1	A28.01
44	960 307 407 03	Filler tube A 16E 01142 >>		1	A28.01/04
44		Filler tube		1	A28.02/03 A28.05/06
44A	011 321 388 A	Cutting ring		1	
45	960 307 041 01	Support A >> 16E 01141		1	A28.01
46	N 010 208 5	Hexagon-head bolt M 6 X 8 A >> 16E 01141		3	A28.01
47	N 011 666 7	Washer B 6,4 A >> 16E 01141		2	A28.01
48	999 072 005 09	Hexagon nut M 6 X 12 A >> 16E 01141		2	A28.01
48	999 072 005 01	Hexagon nut M 6 X 12 A >> 16E 01141		2	A28.01
49	960 307 913 00	Combination screw M 6 X 55		12	
50	960 307 914 00	Combination screw M 6 X 50		3	
51	900 014 006 02	Pan-head screw M 5 X 30		2	
-	722 270 300 7	Service solution Hard shift jolts		1	
-	126 277 961 4	Shift-valve body		1	
-	126 277 108 0	Intermediate plate		1	
-	126 270 105 0	Gasket		1	
-	126 270 927 9	Temperature restrictor		1	
-		Pressure control valve		1	

Model: 928 83

Model life 1983>>1986

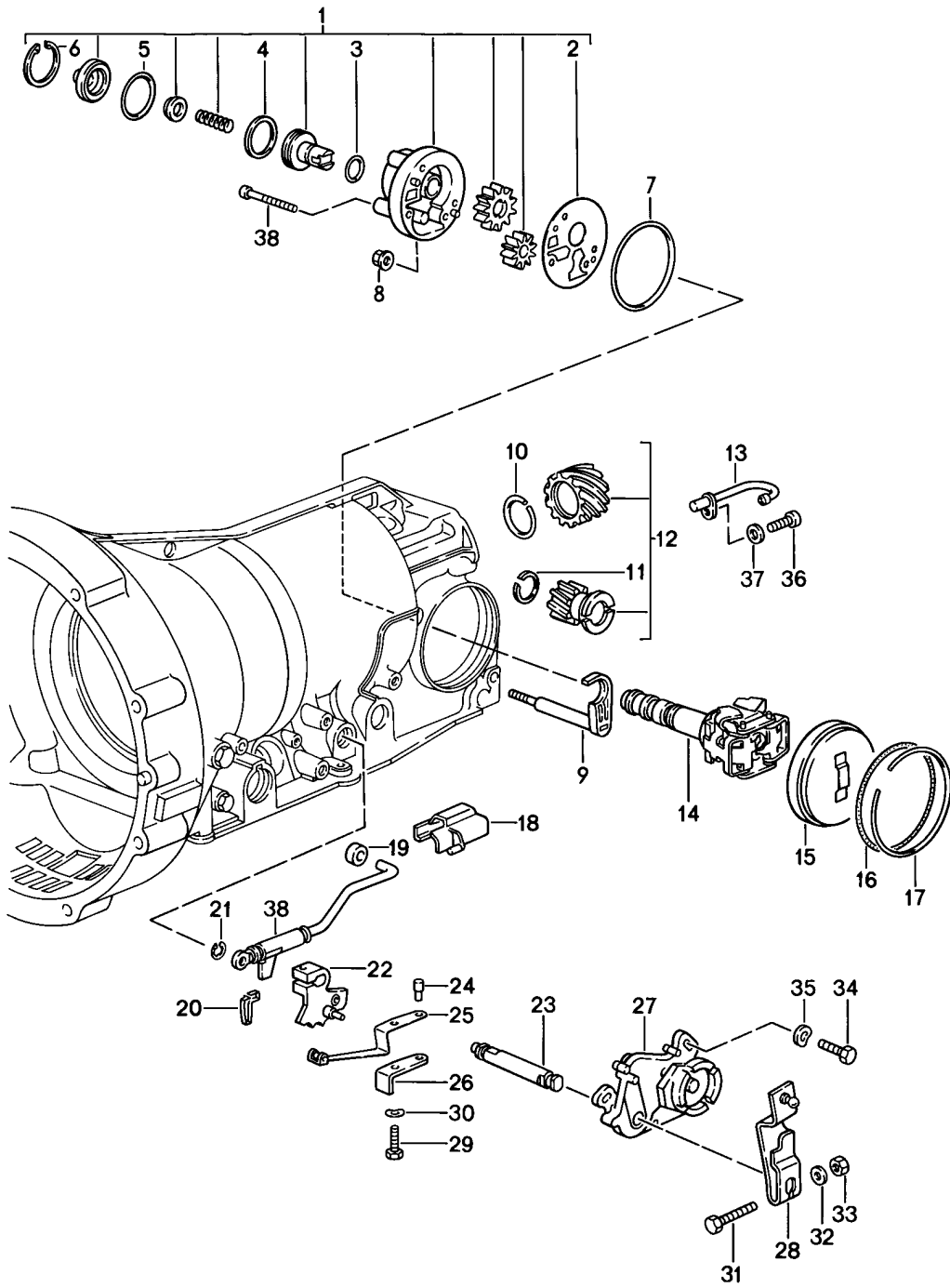


Model: 928 83 Model life 1983>>1986

Pos	Part Number	Description	Remark	Qty	Model
		Automatic transmission			A28.01/02/03
		4th speed			A28.04/05/06
		Transmission case			A28.07/08/09
		Accessories			A28.11
1	126 278 027 4	Shaft		1	
2	005 997 744 8	Sealing ring		1	
3	126 270 045 9	Lever		1	
4	115 997 063 0	Screw plug		3	
5	900 123 105 30	Sealing ring		3	
6	126 277 035 0	Bush		1	
7	006 997 734 7	Sealing ring		1	
8	126 270 018 2	Bleeder		1	
9	005 997 784 8	Sealing ring		1	
10	900 012 163 00	Straight pin		1	
(10)	N 013 220 2	Straight pin		2	
11	126 991 000 1	Bolt		1	
12	722 270 008 4	Oil splash tube		1	
13	115 304 016 0	Sealing ring		1	
14	000 304 279 0	Solenoid switch		1	
		-FA.BINDER-			
		Only together with			
		000 304 229 0			
(14)		Solenoid switch		1	
		-FA.ELEKTROTEILE-			
		Only together with			
		000 304 289 0			
15	001 997 354 8	Sealing ring		1	
16	008 997 304 8	Sealing ring		1	
17	008 997 314 8	Sealing ring		1	
18	000 304 289 0	Solenoid switch		1	
		-FA.BINDER-			
		Only together with			
		000 304 239 0			
(18)		Solenoid switch		1	
		-FA.ELEKTROTEILE-			
		Only together with			
		000 304 279 0			
19	722 270 091 1	Housing		1	
20	126 270 055 0	Temperature restrictor		1	
		Natural colours			
		A >> 696 928			
(20)	126 270 105 0	Temperature restrictor		1	
		Red			
		A 696 929 >>			
21	126 270 058 9	Valve		1	
22	006 997 014 7	Sealing ring		1	
23	126 277 213 2	Piston		1	
24	126 277 207 5	Pin		1	
24	126 277 937 5	Pin		1	
25	126 277 054 0	Support		1	
26	126 270 257 9	Pressure control valve		1	A28.01/04
		A >> 547 628			
26	126 270 937 9	Pressure control valve		1	A28.01/04
		A 547 629 >>			
26	126 270 927 9	Pressure control valve	-84	1	A28/01
26	126 270 937 9	Pressure control valve		1	A28.02/03
					A28.05/06
27	014 997 114 8	Sealing ring		1	
28	126 277 044 0	Support		1	
29	126 277 008 1	Cover		1	
30	900 075 355 02	Combination screw		2	
30	900 075 355 01	Hexagon-head bolt		2	
31	126 277 008 4	Shim		1	

Model: 928 83

Model life 1983>>1986



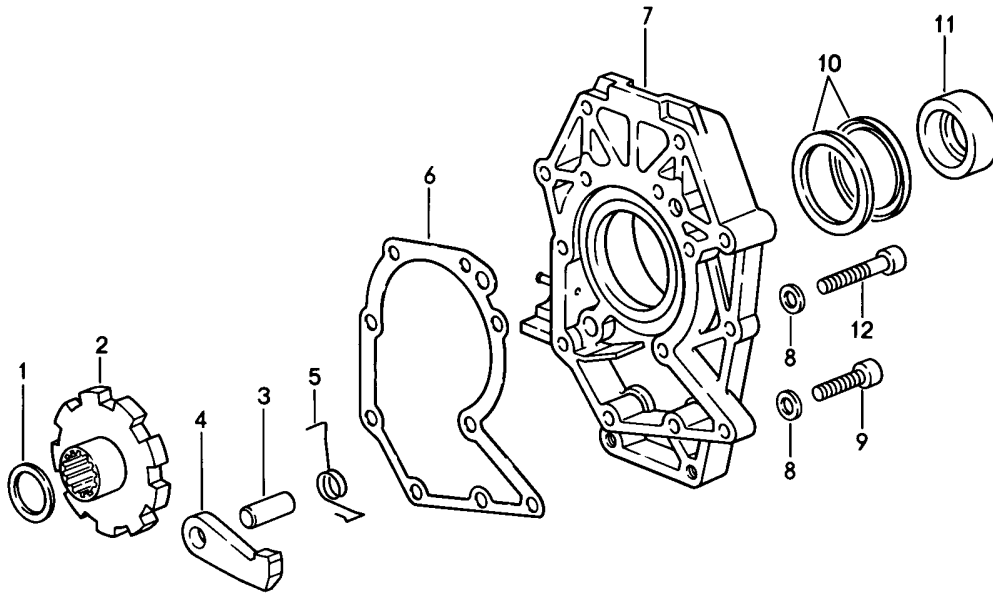
Model: 928 83

Model life 1983>>1986

Pos	Part Number	Description	Remark	Qty	Model
		Automatic transmission			A28.01/02/03
		4th speed			A28.04/05/06
		Transmission case			A28.07/08/09
		Installation parts			A28.11
1	126 270 029 7	Secondary pump		1	
2	126 277 131 4	Intermediate plate		1	
3	126 277 205 5	Sealing ring		1	
4	005 997 844 8	Sealing ring		1	
5	126 277 085 5	Sealing ring		1	
6	900 042 045 07	Circlip		1	
7	005 997 854 8	Sealing ring		1	
8	960 302 902 00	Nut		1	
9	126 270 005 9	Lever		1	
10	722 994 023 5	Circlip		1	
11	999 152 053 01	Circlip		1	
12	126 270 044 2	Gear wheel		1	
13	126 270 038 4	Oil tube		1	
14	126 270 097 4	Centrifugal governor		1	
15	126 270 000 8	Lid		1	
16	016 997 394 8	Sealing ring		1	
17	126 994 023 5	Circlip		1	
18	126 277 607 7	Guide piece		1	
19	126 278 001 7	Roller		1	
20	126 271 039 4	Shim		1	
21	900 116 003 02	Lock washer		1	
21	900 116 003 09	Lock washer		1	
22	126 270 045 7	Shift segment		1	
23	126 278 021 0	Shaft		1	
24	126 991 031 0	Bolt		1	
25	126 270 027 8	Leaf spring		1	
26	126 278 034 0	Support		1	
27	000 545 490 6	Switch		1	
		A >> 547 628			A28.01/04
		A >> 543 394			A28.02/03
					A28.05/06
(27)	000 545 660 6	Switch		1	
		A 547 629 >>			A28.01/04
		A 543 395 >>			A28.02/03
					A28.05/06
28	928 426 063 01	Lever		1	
29	900 075 369 07	Screw		1	
30	N 012 226 5	Spring washer		1	
31	900 074 015 02	Hexagon-head bolt		1	
31	900 074 015 03	Hexagon-head bolt		1	
32	N 011 524 7	Washer		1	
32	N 011 524 27	Washer		1	
33	900 076 010 02	Nut		1	
33	900 076 010 0B	Nut		1	
34	900 075 162 02	Hexagon-head bolt		2	
34	N 010 287 1	Hexagon-head bolt		2	
34	900 075 057 02	Hexagon-head bolt		2	
35	N 012 226 5	Spring washer		2	
36	900 067 206 02	Screw		1	
37	N 044 703 3	Pan-head screw		3	
38	126 270 036 5	Linkage		1	

Model: 928 83

Model life 1983>>1986



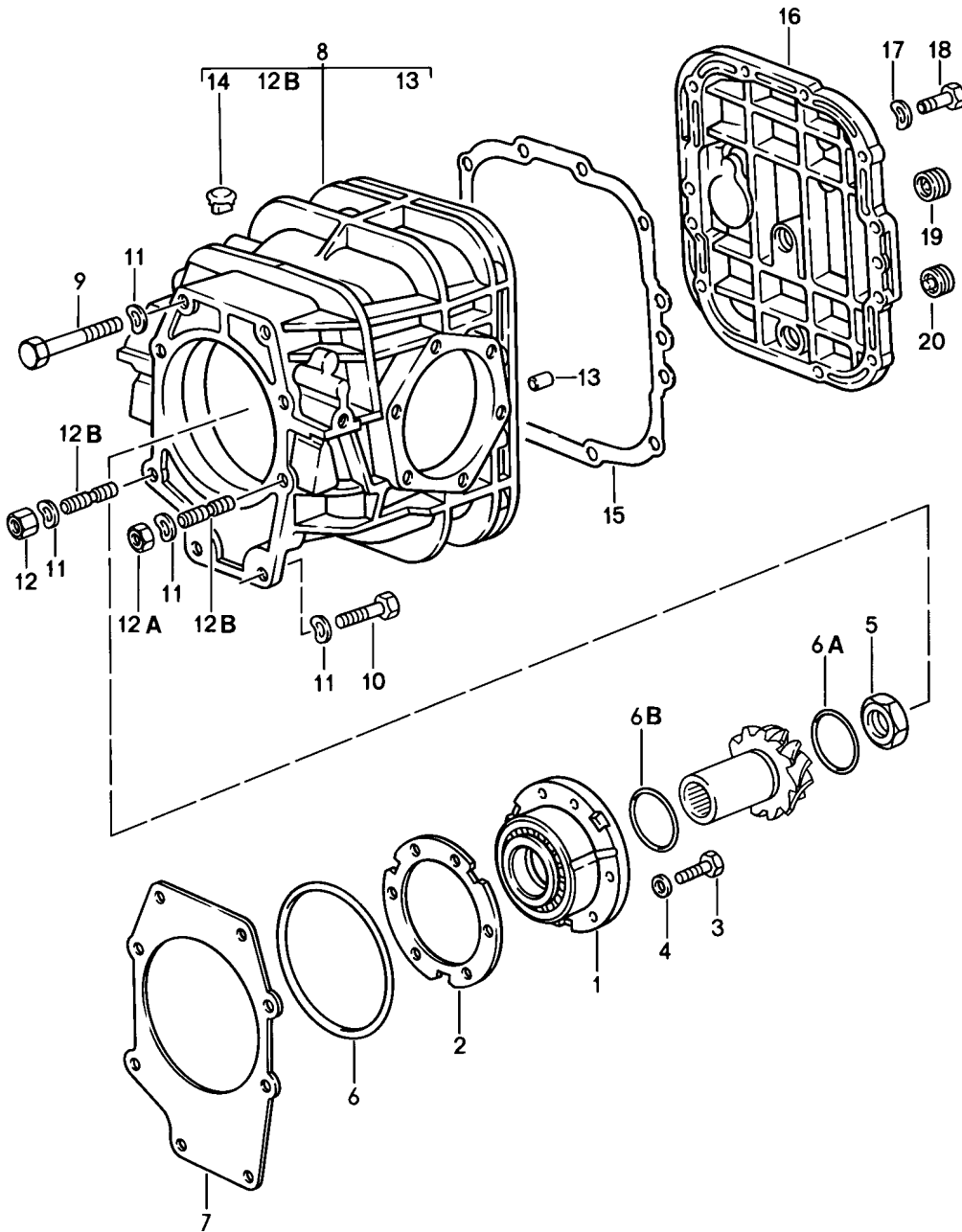
Model: 928 83

Model life 1983>>1986

Pos	Part Number	Description	Remark	Qty	Model
		Automatic transmission			A28.01/02/03
		4th speed			A28.04/05/06
		Intermediate plate			A28.07/08/09
		Parking lock			A28.11
1	126 272 075 2	Spacer		X	
		0,5 MM			
2	126 272 011 7	Gear wheel		1	
3	126 991 000 1	Bolt		1	
4	123 278 002 1	Pawl		1	
5	126 993 062 0	Spring		1	
6	722 271 038 0	Gasket		1	
6		Gasket		1	
		without asbestos			
7	960 321 031 03	Intermediate plate		1	
8	722 990 034 0	Washer		9	
8	900 031 005 03	Washer		9	
9	900 067 025 02	Screw		4	
10	999 113 307 40	Sealing ring		2	
11	960 302 403 03	Intermediate ring		1	
		Use also:			
11A	999 201 438 00	Shim		1	
		30 X 55 X 0,81			
12	900 067 222 02	Pan-head screw		5	

Model: 928 83

Model life 1983>>1986



Model: 928 83 Model life 1983>>1986

Pos	Part Number	Description	Remark	Qty	Model
		Automatic transmission 4th speed Differential			A28.01/02/03 A28.04/05/06 A28.07/08/09 A28.11
1	960 302 063 03	Bearing sleeve		1	A28.01/04
1	960 302 063 09	Bearing sleeve		1	A28.02/03/05 A28.06/07/08 A28.09/11
2	960 302 299 05	Adjusting shim 0,15		X	
2	960 302 299 06	Adjusting shim 0,20		X	
2	960 302 299 07	Adjusting shim 0,25		X	
2	960 302 299 08	Adjusting shim 0,40		X	
2	960 302 299 09	Adjusting shim 0,50		X	
3	N 014 726 7	Pan-head screw M 8 X 30		6	
4	N 015 371 1	Shake-proof washer		6	
5	922 302 282 00	Collar nut		1	
6	999 701 743 40	O-ring 144,5 X 3		1	
6A	960 302 305 00	Round seal		1	
6B	960 302 303 00	Round seal		1	
7	960 302 297 05	Adjusting shim 0,15		X	
7	960 302 297 06	Adjusting shim 0,20		X	
7	960 302 297 07	Adjusting shim 0,25		X	
7	960 302 297 08	Adjusting shim 0,40		X	
7	960 302 297 09	Adjusting shim 0,50		X	
8	960 321 041 01	Rear axle housing F >>92GS8 60999		1	
8	960 321 041 02	Rear axle housing F 92GS8 61000>>		1	A28.07
9	900 074 063 02	Hexagon-head bolt M 10 X 55		4	
9	900 074 380 01	Hexagon-head bolt M 10 X 55		4	
10	900 075 041 09	Hexagon-head bolt M 10 X 25		2	
10	900 075 481 01	Hexagon-head bolt M 10 X 25		2	
11	900 031 005 02	Washer A 10,5		8	
11	900 031 005 03	Washer A 10,5		8	
12	999 076 027 02	Nut		1	
12A	N 011 010 6	Hexagon nut M 10		1	
12A	N 101 552 10	Hexagon nut M 10		1	
12B	999 062 118 02	Stud BM 10 X 28		1	
12B	999 062 182 02	Stud BM 10 X 25		1	
13	900 012 086 00	Straight pin		2	
14	928 301 311 01	Bleeder		1	

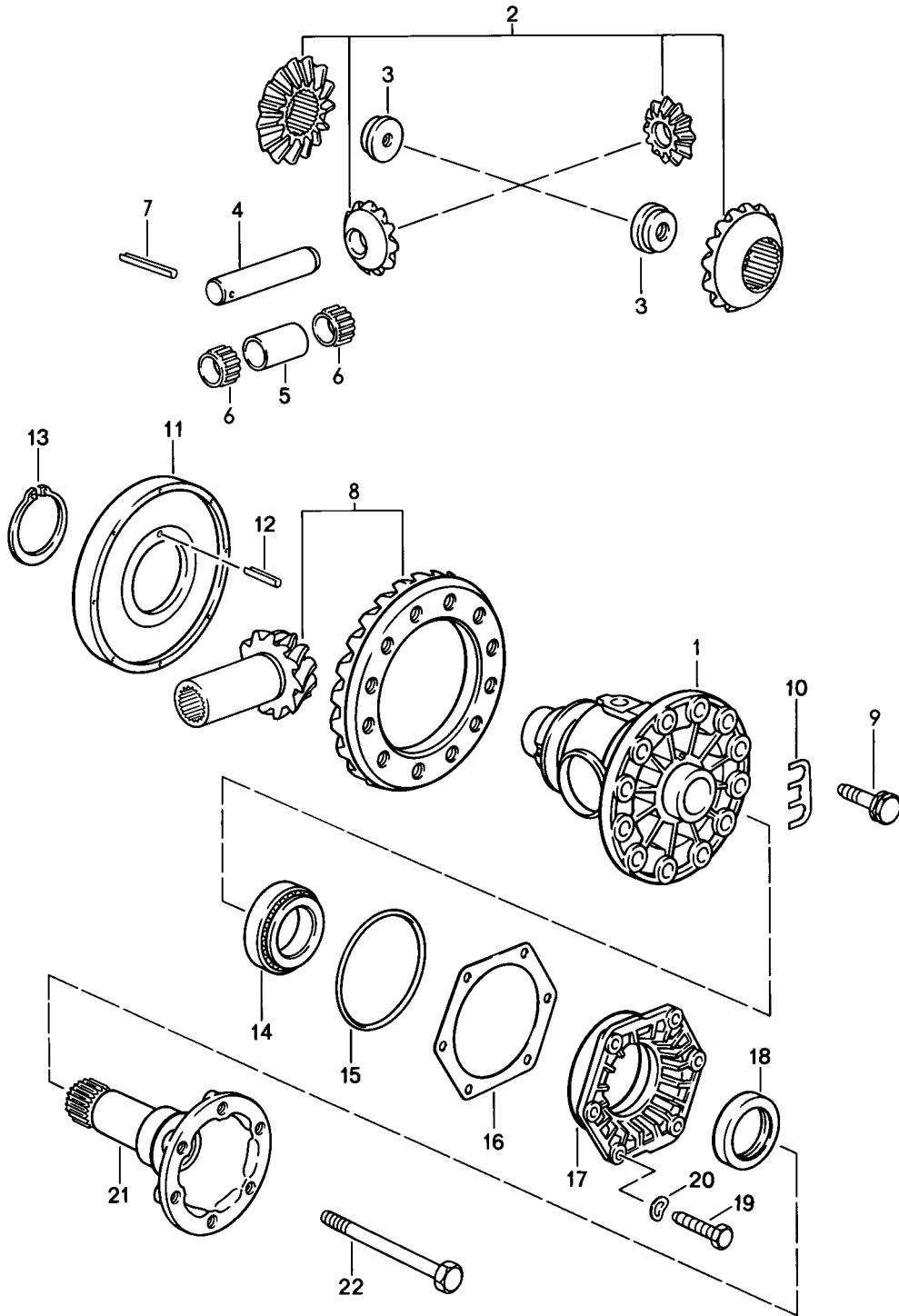
Model: 928 83

Model life 1983>>1986

Pos	Part Number	Description	Remark	Qty	Model
15	928 301 395 03	Gasket		1	
16	928 301 305 10	Lid	-85	1	
(16)	928 301 306 01	Housing cover	86	1	
17	900 025 007 02	Washer		12	
17	900 025 007 03	Washer		12	
18	900 075 099 02	Hexagon-head bolt M 8 X 30		12	
18	900 075 099 03	Hexagon-head bolt M 8 X 30		12	
19	999 064 019 02	Screw plug	-85	1	
19	999 064 019 0C	Screw plug		1	
(19)	900 219 001 30	Screw plug	86	1	
20	999 064 020 02	Screw plug	-85	1	
(20)	999 063 008 02	Screw plug	86	1	
-	999 063 007 02	Screw plug	86	1	
-	900 123 118 30	Sealing ring	86	2	

Model: 928 83

Model life 1983>>1986



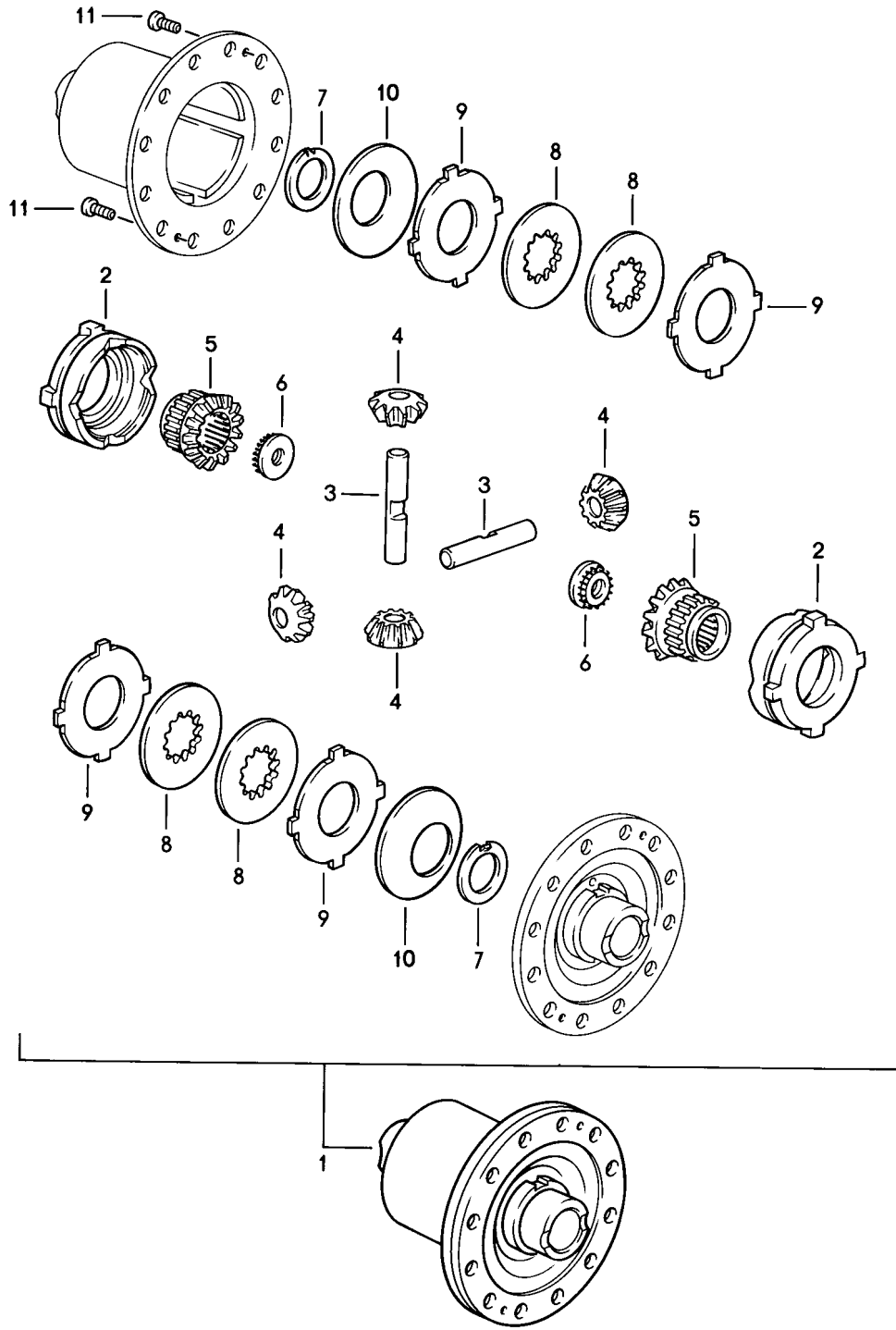
Model: 928 83

Model life 1983>>1986

Pos	Part Number	Description	Remark	Qty	Model
		Automatic transmission 4th speed Differential			A28.01/02/03 A28.04/05/06 A28.07/08/09 A28.11
1	928 332 212 08	Differential housing		1	
2	928 332 902 02	Differential pinions 1 set		1	
3	928 332 279 03	Threaded disc		2	
4	928 332 207 07	Differential bolt		1	
5	928 332 205 01	Spacer sleeve		1	
6	999 201 416 00	Needle cage		2	
7	900 309 035 00	Roll pin 5 X 40		1	
8	960 302 911 00	Ring gear and pinion shaft 33 : 15		1	A28.01/04/07
8	960 302 911 04	Ring gear and pinion shaft 33 : 14		1	A28.02/05/08
9	928 332 276 03	Hexagon-head bolt		12	
10	928 332 285 00	Tab washer		6	
11	928 318 024 02	Carrier disc with magnets		1	
12	N 043 285 1	Roll pin 5 X 20		1	
13	999 152 089 01	Circlip		1	
14	999 059 027 00	Taper roller bearing		2	
14	999 059 027 02	Taper roller bearing		2	
15	928 332 217 02	O-ring		2	
16	928 332 219 00	Adjusting shim 0,15		X	
16	928 332 219 01	Adjusting shim 0,20		X	
16	928 332 219 02	Adjusting shim 0,25		X	
16	928 332 219 03	Adjusting shim 0,50		X	
16	928 332 219 04	Adjusting shim 0,10		X	
17	928 332 213 02	Housing		2	
18	928 332 215 02	Shaft sealing ring		2	
19	900 075 099 02	Hexagon-head bolt M 8 X 30		12	
19	900 075 099 03	Hexagon-head bolt M 8 X 30		12	
20	900 025 007 02	Washer		12	
20	900 025 007 03	Washer		12	
21	928 332 206 00	Joint flange		2	A28.01/02/03 A28.04/05/06 A28.07/08/09 A28.11
(21)	928 332 206 10	Joint flange		2	
22	900 074 292 02	Hexagon-head bolt M 10 X 98		2	

Model: 928 83

Model life 1983>>1986



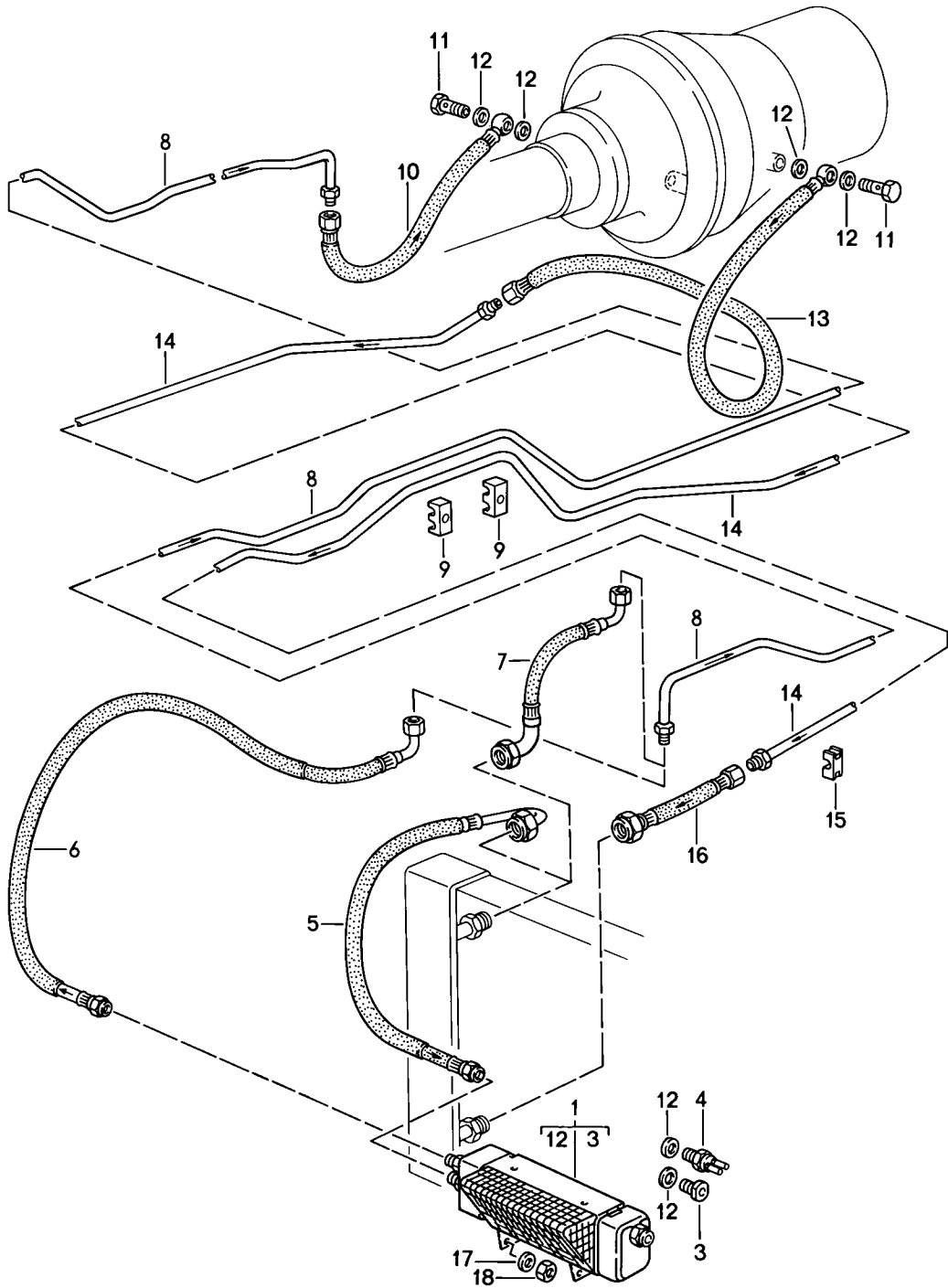
Model: 928 83

Model life 1983>>1986

Pos	Part Number	Description	Remark	Qty	Model
		Automatic transmission 4th speed Limited-slip differential			A28.01/02/03 A28.04/05/06 A28.07/08/09 A28.11
1	928 332 052 20	Limit.-slip different. 40%		1	
2	928 332 511 00	Thrust ring		2	
3	928 332 541 00	Differential shaft		2	
4	928 332 531 00	Bevel pinion		4	
5	930 332 535 01	Shaft bevel gear	83	2	
(5)	928 332 535 01	Shaft bevel gear	84-	2	
6	928 332 279 01	Threaded disc		2	
7	901 332 561 11	Thrust washer		2	
8	928 332 551 00	Inner disc 2,0 MM		4	
9	917 332 552 10	Disc with external splines 1,9 MM		4	
(9)	917 332 552 11	Disc with external splines 2,0 MM		X	
(9)	917 332 552 12	Disc with external splines 2,1 MM		X	
10	928 332 555 00	Cup spring	83	2	
(10)	928 332 555 20	Cup spring	84-	2	
11	N 014 765 2	Pan-head screw M 6 X 10	83-	2	
(11)	900 249 023 00	Countersunk-head screw M 6 X 10	84-	2	

Model: 928 83

Model life 1983>>1986

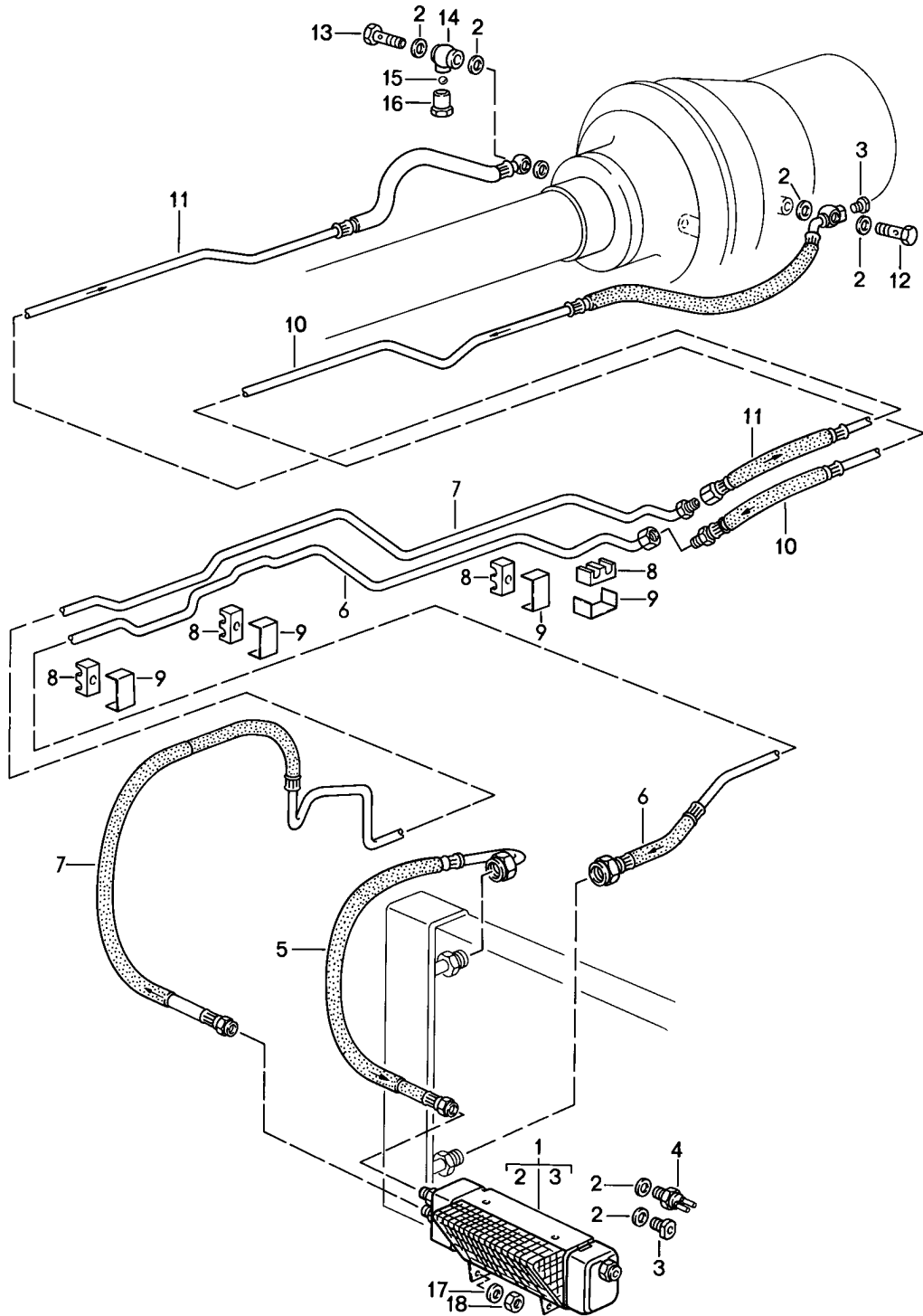


Model: 928 83 Model life 1983>>1986

Pos	Part Number	Description	Remark	Qty	Model
		Automatic transmission	-85		A28.01/02/03
		4th speed	-85		A28.04/05/06
		Atf cooler			
		Atf lines			
		F >>92GS8 60999			
1	928 307 029 00	Transmission oil cooler		1	A28.02/03/04 A28.05/06
3	900 219 002 02	Screw plug		1	A28.02/03/04 A28.05/06
4	928 606 309 01	AM 14 X 1,5 Temperature switch		1	A28.02/03/04 A28.05/06
5	928 307 023 03	Pressure hose		1	M208 A28.02/03/04 A28.05/06
6	928 307 025 03	Intake Pressure hose		1	A28.02/03/04 A28.05/06
7	922 307 025 00	Return line Pressure hose		1	A28.01
7	922 307 025 02	Return line 255 MM Pressure hose		1	A28.01
8	922 307 019 03	Return line Oil pipe		1	A28.01/02/03 A28.04/05/06
9	922 307 114 01	Clamp		10	
10	960 307 021 02	Pressure hose		1	A28.01/02/03 A28.04/05/06 06
11	999 134 028 02	Return line Banjo bolt		2	
12	900 123 007 30	Sealing ring A 14 X 18		5	
13	960 307 020 01	Pressure hose		1	A28.01/02/03 A28.04/05/06
14	922 307 018 99	Supply Oil pipe		1	A28.01/02/03 A28.04/05/06
15	922 307 114 02	Supply Clamp		5	
16	922 307 023 02	Pressure hose		1	A28.01/02/03 A28.04/05/06
16	922 307 023 04	Supply Pressure hose		1	A28.01/02/03 A28.04/05/06
17	N 011 524 7	Supply Washer		3	A28.02/03/04 A28.05/06
17	N 011 524 27	A 6,4 Washer		3	A28.02/03/04 A28.05/06
18	900 910 010 09	A 6,4 Lock nut		3	A28.02/03/04 A28.05/06
		M 6			

Model: 928 83

Model life 1983>>1986



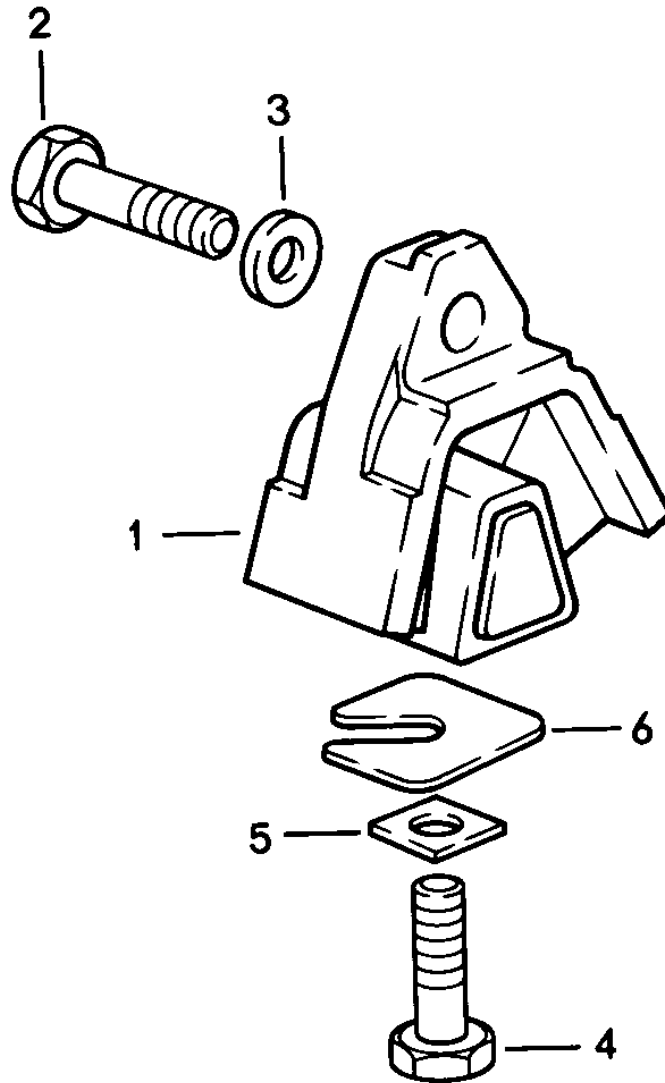
Model: 928 83

Model life 1983>>1986

Pos	Part Number	Description	Remark	Qty	Model
		Automatic transmission 4th speed Atf cooler Atf lines F 92GS8 61000>>			A28.07/08/09 A28.11
1	928 307 029 00	Transmission oil cooler		1	
2	900 123 007 30	Sealing ring A 14 X 18		7	
3	900 219 002 02	Screw plug AM 14 X 1,5		2	
5	928 307 023 03	Pressure hose		1	
6	960 307 028 02	Oil pipe Supply		1	
6	960 307 028 03	Oil pipe Supply		1	
7	960 307 029 02	Oil pipe Return line		1	
8	928 356 525 01	Rubber mounting		5	
9	928 356 555 00	Clamp		5	
10	960 307 038 00	Oil pipe Supply		1	
11	960 307 039 00	Oil pipe Return line		1	
11	960 307 039 01	Oil pipe Return line		1	
11	960 307 039 02	Oil pipe Return line		1	
12	999 134 030 02	Banjo bolt M 14 X 1,5		1	
13	960 307 161 01	Banjo bolt		1	
14	960 307 057 01	Nipple		1	
15	N 025 657 1	Ball		1	
16	960 307 163 00	Screw plug		1	

Model: 928 83

Model life 1983>>1986



Model: 928 83

Model life 1983>>1986

Pos	Part Number	Description	Remark	Qty	Model
		Automatic transmission 4th speed Transmission suspension			A28.01/02/03 A28.04/05/06 A28.07/08/09 A28.11
1	928 375 045 16	Transmission mounting		2	
2	N 010 142 2	Hexagon-head bolt M 12 X 1,5 X 50		2	
3	901 333 143 01	Washer		4	
3	999 025 091 02	Washer		2	
4	N 040 108 1	Hexagon-head bolt M 12 X 1,5 X 40		2	
5	928 375 331 00	Square washer		2	
6	928 331 520 01	Washer 1 MM		X	
6	928 331 520 02	Washer 2 MM		X	
6	928 331 520 03	Washer 3 MM		X	
6	928 331 520 04	Washer 4 MM		X	

Model: 928 83

Model life 1983>>1986



Model: 928 83 Model life 1983>>1986

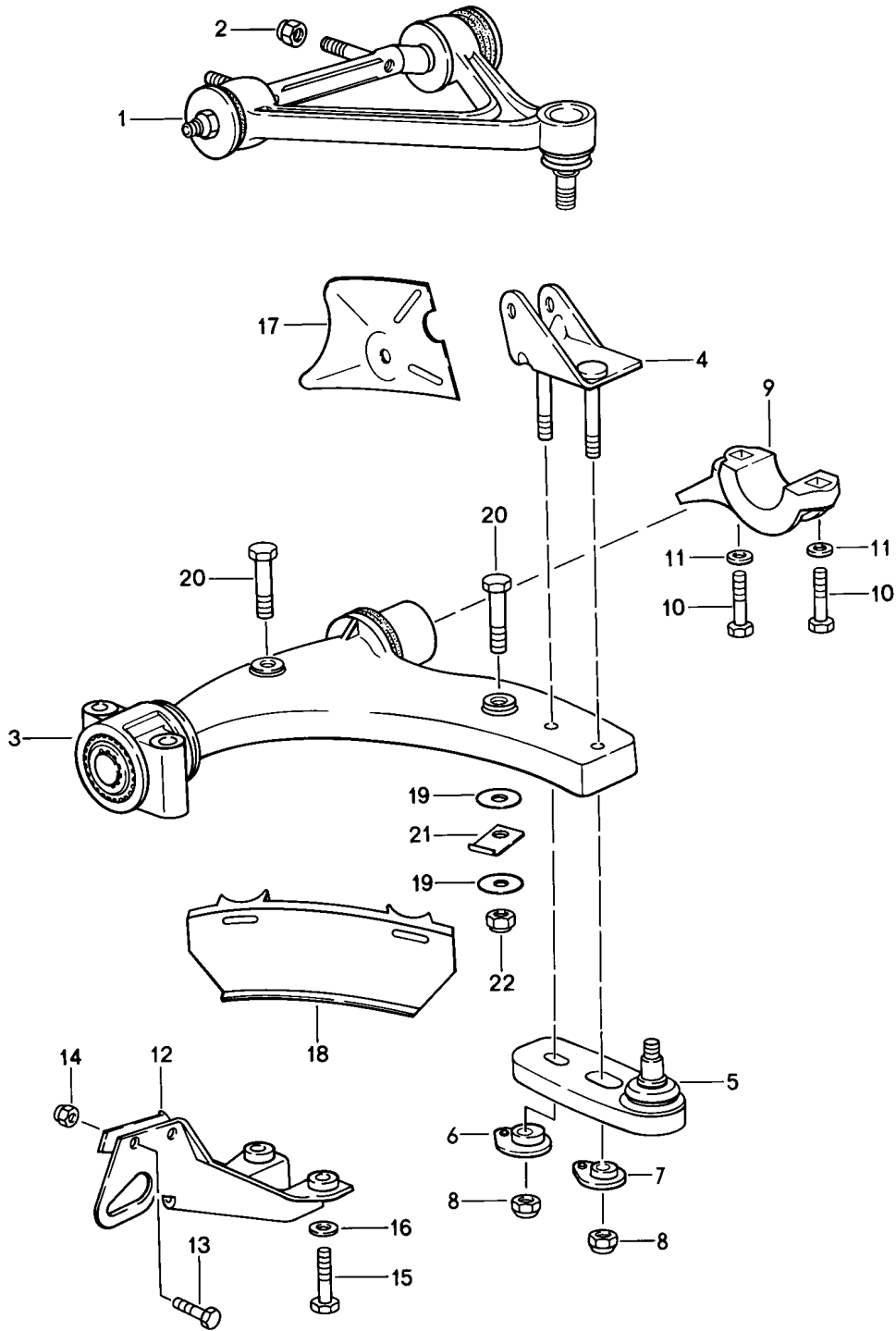
Pos	Part Number	Description	Remark	Qty	Model
>>	928 300 901 01	Gasket set Gasket set Manual transmission Comprising:		1	
-	928 301 111 00	O-ring		1	
-	928 301 111 01	O-ring		1	
-	928 301 393 06	Gasket		1	
-	928 301 393 07	Gasket		1	
-	928 301 395 03	Gasket		1	
-	928 302 167 03	Shaft sealing ring		1	
-	928 302 167 05	Shaft sealing ring		1	
-	928 302 283 00	Round seal		1	
-	928 303 120 01	Shaft sealing ring		1	
-	928 332 215 02	Shaft sealing ring		2	
-	928 332 217 02	O-ring		2	
-	928 303 313 00	Gasket		1	
-	928 302 283 01	Round seal		1	
-	999 701 904 40	O-ring		1	
-	928 116 901 00	Repair kit Clutch operating cylinder		1	
>>	126 270 530 0	Gasket set for Automatic transmission 4-speed without Differential Comprising:		1	A28.01/02/03 A28.04/05/06 A28.07/08/09 A28.11
-	018 997 044 7	Sealing ring		1	
-	016 997 144 8	Sealing ring		1	
-	126 272 005 5	Sealing ring		2	
-	126 272 025 5	Sealing ring		1	
-	126 272 039 2	Boot		2	
-	126 272 019 2	Boot		1	
-	126 272 009 2	Boot		1	
-	126 272 095 5	Sealing ring		2	
-	126 271 128 0	Gasket		1	
-	006 997 014 7	Sealing ring		1	
-	006 997 734 7	Sealing ring		1	
-	006 997 754 8	Sealing ring		1	
-	126 272 095 5	Sealing ring		2	
-	005 997 774 8	Sealing ring		1	
-	005 997 814 8	Sealing ring		1	
-	126 277 095 5	Sealing ring		1	
-	126 277 075 5	Sealing ring		1	
-	005 997 704 8	Sealing ring		1	
-	005 997 804 8	Sealing ring		1	
-	010 997 084 5	Sealing ring		1	
-	005 997 864 8	Sealing ring		1	
-	900 123 105 30	Sealing ring		3	
-	126 277 085 5	Sealing ring		1	
-	005 997 844 8	Sealing ring		1	
-	005 997 854 8	Sealing ring		1	
-	126 277 028 0	Sealing ring		1	
-	922 321 301 07	Sealing ring		1	
-	010 997 084 5	Sealing ring		1	
-	722 271 038 0	Gasket		1	
-	014 997 114 8	Sealing ring		1	
-	008 997 314 8	Sealing ring		1	
-	008 997 304 8	Sealing ring		1	
-	001 997 354 8	Sealing ring		1	

Model: 928 83 Model life 1983>>1986

Pos	Part Number	Description	Remark	Qty	Model
-	115 304 016 0	Sealing ring		1	
-	016 997 394 8	Sealing ring		1	
-	126 271 028 0	Oil sump gasket		1	
-	005 997 784 8	Sealing ring		1	
-	960 302 901 00	Gasket set		1	A28.01/02/03 A28.04/05/06 A28.07/08/09 A28.11
		Differential Automatic transmission Comprising:			
-	999 701 743 40	O-ring		1	
-	928 301 395 03	Gasket		1	
-	928 332 215 02	Shaft sealing ring		2	
-	928 332 217 02	O-ring		2	
-	960 307 901 00	Oil filter set		1	A28.01/02/03 A28.04/05/06 A28.07/08/09 A28.11
		Comprising:			
-	126 277 029 5	Oil filter		1	
-	126 271 028 0	Oil sump gasket		1	
-	N 013 806 2	Sealing ring		1	
-	900 123 033 20	Sealing ring		1	

Model: 928 83

Model life 1983>>1986



Model: 928 83 Model life 1983>>1986

Pos	Part Number	Description	Remark	Qty	Model
		Wishbone F >>92GS8 60999 See technical information 4-NR.1	-85 (USA)		
1	928 341 027 33	Wishbone Upper	/L	1	
(1)	928 341 028 33	Wishbone Upper	/R	1	
2	900 910 094 02	Lock nut		4	
3	928 341 017 02	Wishbone Lower		2	
4	928 341 091 05	Clip	/L -83	1	
(4)		Clip	/L 84-	1	
		Only together with Articulated carrier Steel Use also: 928.341.049.12 928.341.466.00			
(4)	928 341 092 05	Clip	/R -83	1	
(4)		Clip	/R 84-	1	
		Only together with Articulated carrier Steel Use also: 928.341.049.12 928.341.466.00			
5	928 341 049 10	Ball joint Light alloy		2	
(5)	928 341 049 12	Ball joint Steel Use also: 928.341.091.05 928.341.092.05 928.341.466.00		2	
6	928 341 466 00	Eccentric Only together with Articulated carrier Light alloy		2	
7		Eccentric Only together with Articulated carrier Light alloy		2	
-		Eccentric Only together with Articulated carrier Steel		4	
8	N 022 141 4	Lock nut		4	
9	928 341 167 00	Supporting bow		2	
10	900 082 048 08	Hexagon-head bolt M 12 X 1,5 X 80		4	
10	900 082 048 03	Hexagon-head bolt M 12 X 1,5 X 80		4	
11	928 341 165 00	Washer		4	
11	928 341 165 01	Washer		4	
12	928 341 064 02	Protective bracket		2	
13	N 010 253 7	Hexagon-head bolt M 10 X 22		4	
14	900 910 031 09	Lock nut		4	
14	900 910 031 01	Lock nut		4	
15	900 082 039 02	Hexagon-head bolt M 12 X 1,5 X 100		4	
15	900 082 137 01	Hexagon-head bolt		4	

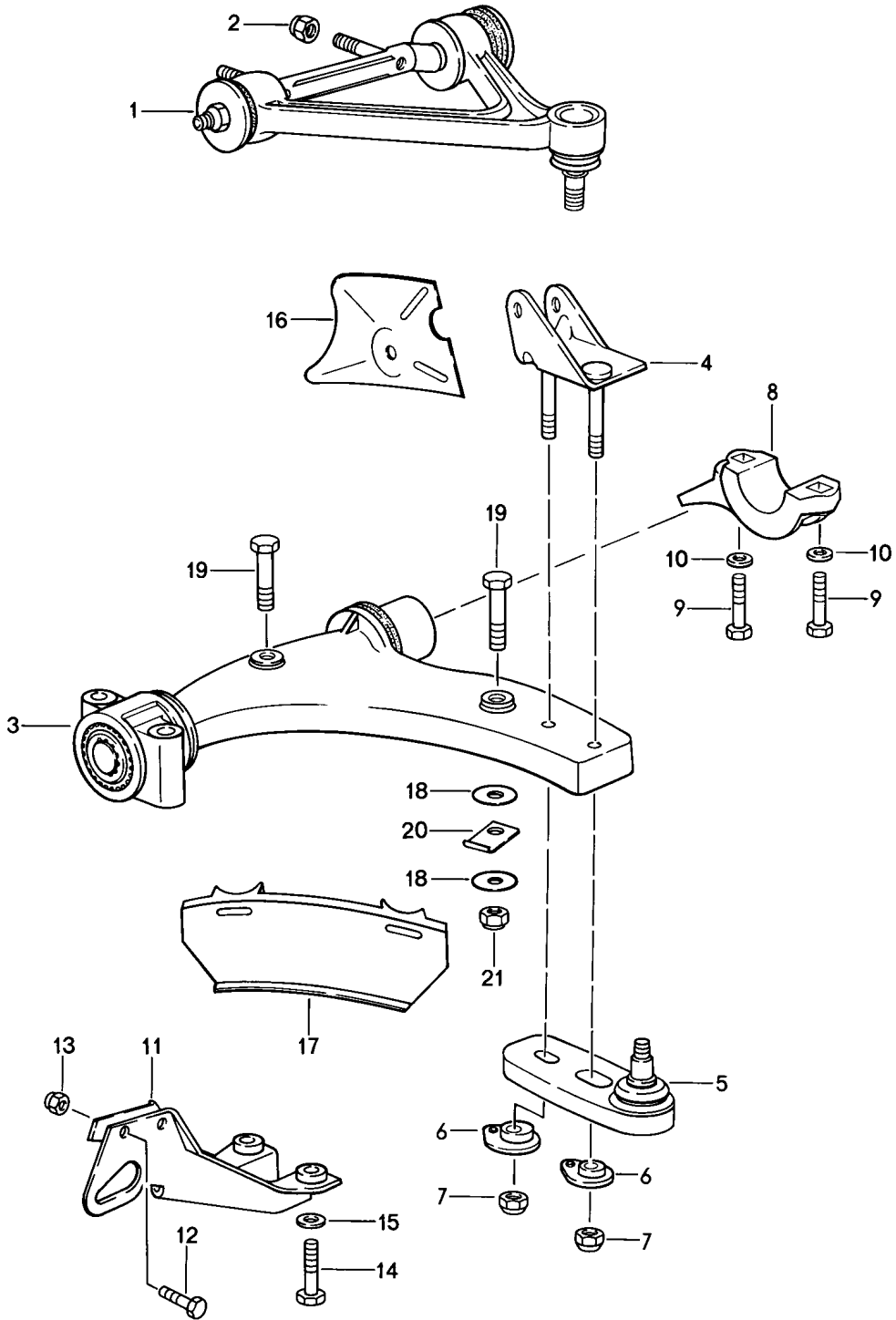
Model: 928 83

Model life 1983>>1986

Pos	Part Number	Description	Remark	Qty	Model
16	901 333 143 02	M 12 X 1,5 X 100 Washer		4	
17	928 341 383 02	Baffle plate	/L	1	
(17)	928 341 384 02	Baffle plate	/R	1	
18	928 341 389 01	Spoiler		2	
19	928 341 391 00	Retaining washer		4	
20	N 010 367 4	Hexagon-head bolt M 6 X 60		4	
20	900 074 021 03	Hexagon-head bolt M 6 X 60		4	
21	928 341 395 00	Fastening clip		4	
22	900 910 012 02	Lock nut M 6		4	
22	900 910 047 09	Lock nut M 6		4	

Model: 928 83

Model life 1983>>1986

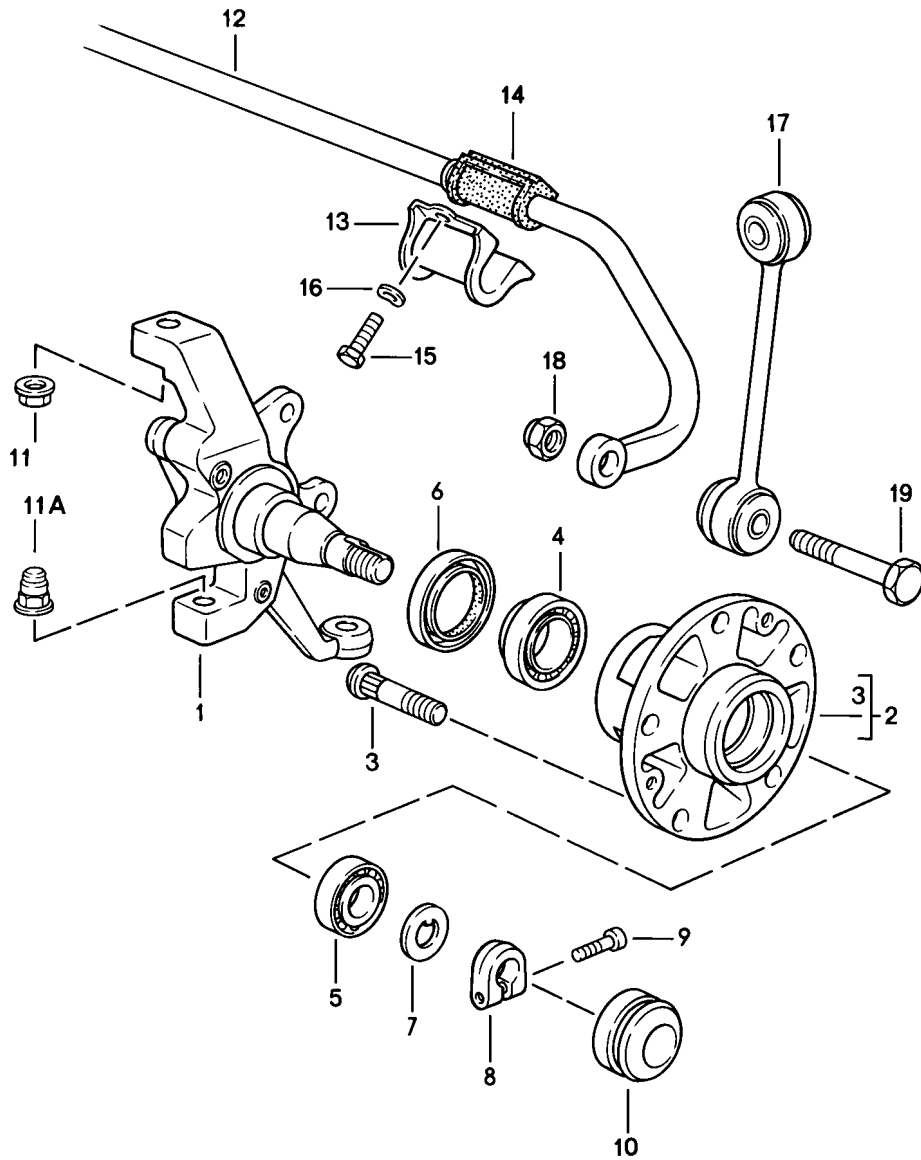


Model: 928 83 Model life 1983>>1986

Pos	Part Number	Description	Remark	Qty	Model
1	928 341 027 37	Wishbone F 92GS8 61000>> Wishbone Upper	86 (USA) /L	1	
(1)	928 341 028 37	Wishbone Upper	/R	1	
2	N 900 385 01	Lock nut M 14 X 1,5		4	
3	928 341 017 04	Wishbone Lower		2	
3	928 341 017 05	Wishbone Lower		2	
4	928 341 091 06	Clip	/L	1	
(4)	928 341 092 06	Clip	/R	1	
5	928 341 049 08	Articulated carrier		2	
5	928 341 049 09	Articulated carrier		2	
6	928 341 466 01	Eccentric		4	
7	900 910 115 02	Lock nut		4	
8	928 341 167 00	Supporting bow		2	
9	900 082 048 08	Hexagon-head bolt M 12 X 1,5 X 80		4	
9	900 082 048 03	Hexagon-head bolt M 12 X 1,5 X 80		4	
10	928 341 165 00	Washer		4	
10	928 341 165 01	Washer		4	
11	928 341 064 02	Protective bracket		2	
12	N 010 253 7	Hexagon-head bolt M 10 X 22		4	
13	N 021 130 3	Lock nut		4	
13	N 021 130 D	Lock nut		4	
14	900 082 039 02	Hexagon-head bolt M 12 X 1,5 X 100		4	
14	900 082 137 01	Hexagon-head bolt M 12 X 1,5 X 100		4	
15	901 333 143 02	Washer		4	
16	928 341 383 05	Baffle plate	/L	1	
(16)	928 341 384 05	Baffle plate	/R	1	
17	928 341 389 03	Spoiler	/L	1	
(17)	928 341 390 03	Spoiler	/R	1	
18	928 341 391 00	Retaining washer		4	
19	N 010 367 4	Hexagon-head bolt M 6 X 60		4	
19	900 074 021 03	Hexagon-head bolt M 6 X 60		4	
20	928 341 395 01	Fastening clip		4	
21	900 910 012 02	Lock nut M 6		4	
21	900 910 047 09	Lock nut M 6		4	

Model: 928 83

Model life 1983>>1986



Model: 928 83 Model life 1983>>1986

Pos	Part Number	Description	Remark	Qty	Model
-	PCG 043 110 00	Steering knuckle Stabiliser Front axle F >>92GS8 60999 Lubricants Grease Bearing 200 GR.	-85 (USA)	1	
1	928 341 057 13	Steering knuckle	/L 84	1	
(1)	928 341 057 12	Steering knuckle F 92GS8 60061>> F >>92GS8 60999	/L	1	
(1)	928 341 058 13	Steering knuckle	/R 84 85	1	
(1)	928 341 058 12	Steering knuckle F 92GS8 60061>> F >>92GS8 60999	/R	1	
2	928 341 065 02	Front wheel hub		2	
(2)	928 341 065 10	Front wheel hub F 92GS8 60061>> F >>92GS8 60999		2	
3	928 341 671 02	Wheel bolt		10	
(3)		Wheel bolt Oversize		X	
4	999 059 090 00	Taper roller bearing		2	
5	999 059 067 00	Taper roller bearing		2	
6	477 405 641	Radial sealing ring		2	
7	911 341 663 00	Thrust washer		2	
8	911 341 673 00	Clamping nut		2	
9	999 119 001 01	Pan-head screw M 7 X 18		2	
9	999 119 001 0B	Pan-head screw M 7 X 18		2	
10	911 341 684 00	Cap		2	
11	900 380 010 09	Lock nut M 12 X 1,5		2	
11A	999 084 059 02	Lock nut M 12 X 1,5		2	
12	928 343 073 05	Stabiliser 28 MM		1	
13	928 343 777 00	Bearing clamp		2	
14	928 343 793 04	Stabiliser mounting 28 MM		2	
15	900 075 043 02	Hexagon-head bolt M 10 X 30	/RL	4	
(15)	N 010 275 3	Hexagon-head bolt M 10 X 35	/LL	1	
(15)	900 075 460 01	Hexagon-head bolt M 10 X 35	/LL	1	
(15)	900 075 043 02	Hexagon-head bolt M 10 X 30	/LL	3	
16	900 027 016 02	Lock ring B 10		4	
16	900 027 016 03	Lock ring B 10		4	
17	928 343 069 00	Stabiliser mounting		2	
18	900 910 046 02	Lock nut M 12 X 1,5		2	
18	999 084 439 09	Lock nut M 12 X 1,5		2	
18	999 084 445 09	Lock nut M 12 X 1,5		2	
18	999 084 445 01	Lock nut		2	

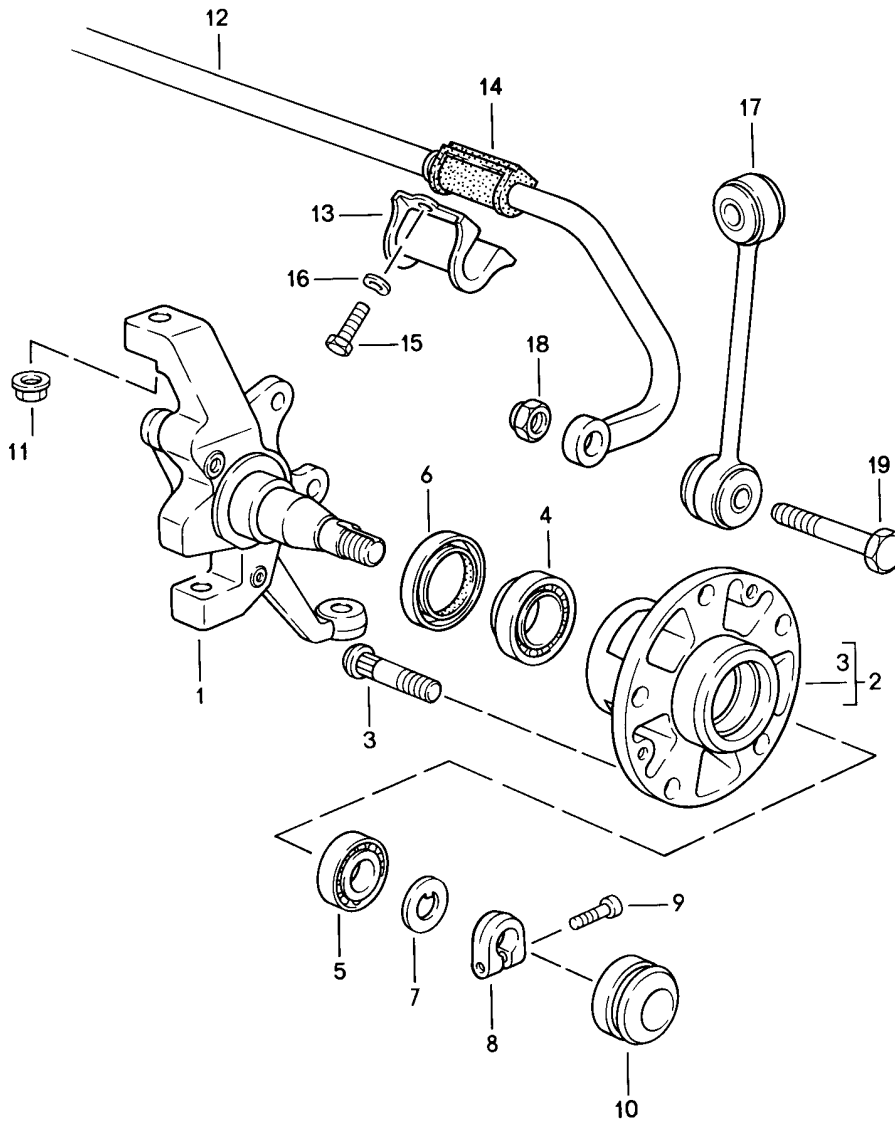
Model: 928 83

Model life 1983>>1986

Pos	Part Number	Description	Remark	Qty	Model
19	900 082 035 02	M 12 X 1,5 Hexagon-head bolt M 12 X 1,5 X 60		2	

Model: 928 83

Model life 1983>>1986



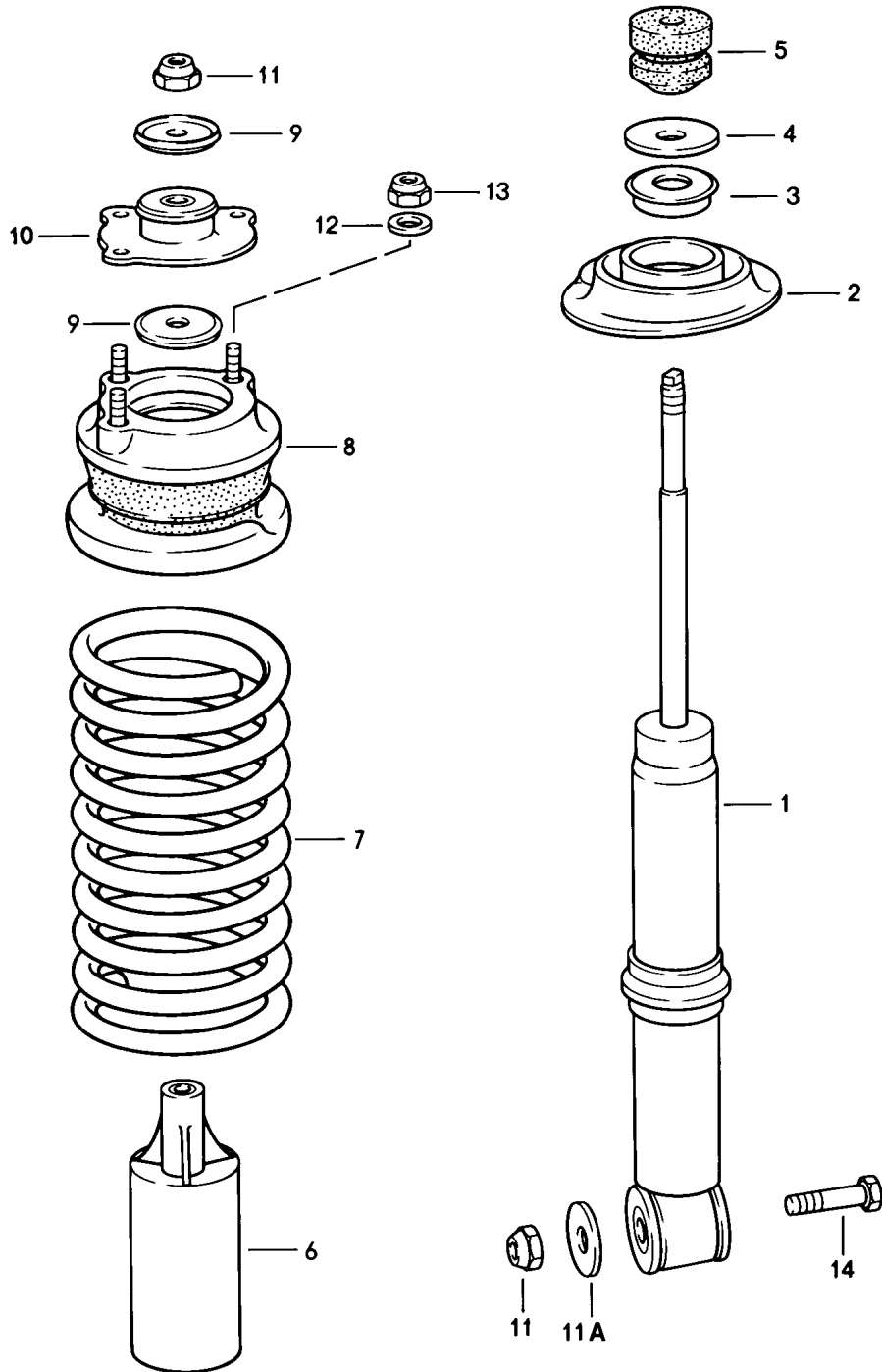
Model: 928 83

Model life 1983>>1986

Pos	Part Number	Description	Remark	Qty	Model
-	PCG 043 110 00	Steering knuckle F 92GS8 61000>> Lubricants Grease Bearing 200 GR.	86 (USA)	1	
1	928 341 057 14	Steering knuckle	/L	1	
(1)	928 341 058 14	Steering knuckle	/R	1	
2	928 341 066 04	Front wheel hub		2	
(2)		Front wheel hub		2	
3	928 341 671 02	Wheel bolt		10	
(3)		Wheel bolt Oversize		X	
4	999 059 090 00	Taper roller bearing		2	
5	999 059 089 01	Taper roller bearing		2	
6	477 405 641	Radial sealing ring		2	
7	911 341 663 00	Thrust washer		2	
8	911 341 673 00	Clamping nut		2	
9	999 119 001 01	Pan-head screw M 7 X 18		2	
9	999 119 001 0B	Pan-head screw M 7 X 18		2	
10	911 341 684 00	Cap		2	
11	900 380 010 09	Lock nut M 12 X 1,5		4	
12	928 343 073 06	Stabiliser		1	
13	928 343 777 00	Bearing clamp		2	
14	928 343 793 04	Stabiliser mounting		2	
15	900 075 043 02	Hexagon-head bolt M 10 X 30	/RL	4	
(15)	N 010 275 3	Hexagon-head bolt M 10 X 35	/LL	1	
(15)	900 075 460 01	Hexagon-head bolt M 10 X 35	/LL	1	
(15)	900 075 043 02	Hexagon-head bolt M 10 X 30	/LL	3	
16	900 027 016 02	Lock ring B 10		4	
16	900 027 016 03	Lock ring B 10		4	
17	928 343 069 01	Stabiliser mounting		2	
17	928 343 069 91	Stabiliser mounting		2	
18	N 022 141 1	Captive nut M 12 X 1,5		2	
18	900 360 002 01	Lock nut M 12 X 1,5		2	
18	900 360 002 0B	Lock nut M 12 X 1,5		2	
19	N 010 154 3	Hexagon-head bolt M 12 X 1,5 X 55		2	

Model: 928 83

Model life 1983>>1986



Model: 928 83 Model life 1983>>1986

Pos	Part Number	Description	Remark	Qty	Model
1	928 343 055 04	suspension Front axle F >>92ES8 60321 Vibration damper - boge - Modification parts Sports suspension - BOGE - Only by sets Front axle 92834305509	(USA) VR/VL	2	
(1)	928 343 055 09	92833305117 Vibration damper - boge - Only together with Rear axle 92833305117	HR/HL VR/VL	2 2	M474 M474
(1)	928 343 055 05	Vibration damper - bilstein -	HR/HL	2	M474
2	928 343 525 00	Concave washer		2	
-	928 343 533 00	Spacer ring		X	
3	928 333 551 00	Supporting cover		2	
4	911 333 511 00	Washer		2	
5	928 343 527 02	Additional spring		2	
6	928 343 507 02	Protective tube		2	
7	928 343 511 03	Front wheel spring		1	
	928 343 511 03 904	Identification 1 set White Only together with Damper - boge -			
(7)	928 343 511 04	Front wheel spring		1	M474
	928 343 511 04 204	Identification 1 set Green White Only together with Damper - bilstein -			
(7)	928 343 511 13	Front wheel spring Identification 1 set Green White Only together with Damper - bilstein -		1	M474
8	928 343 047 07	Concave washer		2	
8	928 343 047 08	Concave washer		2	
9	928 343 523 00	Washer		2	
10	928 343 051 01	Mounting for absorber		2	
11	900 910 046 02	Lock nut NM 12 X 1,5		4	
11	999 084 439 09	Lock nut NM 12 X 1,5		4	
11	999 084 445 09	Lock nut NM 12 X 1,5		4	
11	999 084 445 01	Lock nut NM 12 X 1,5		4	

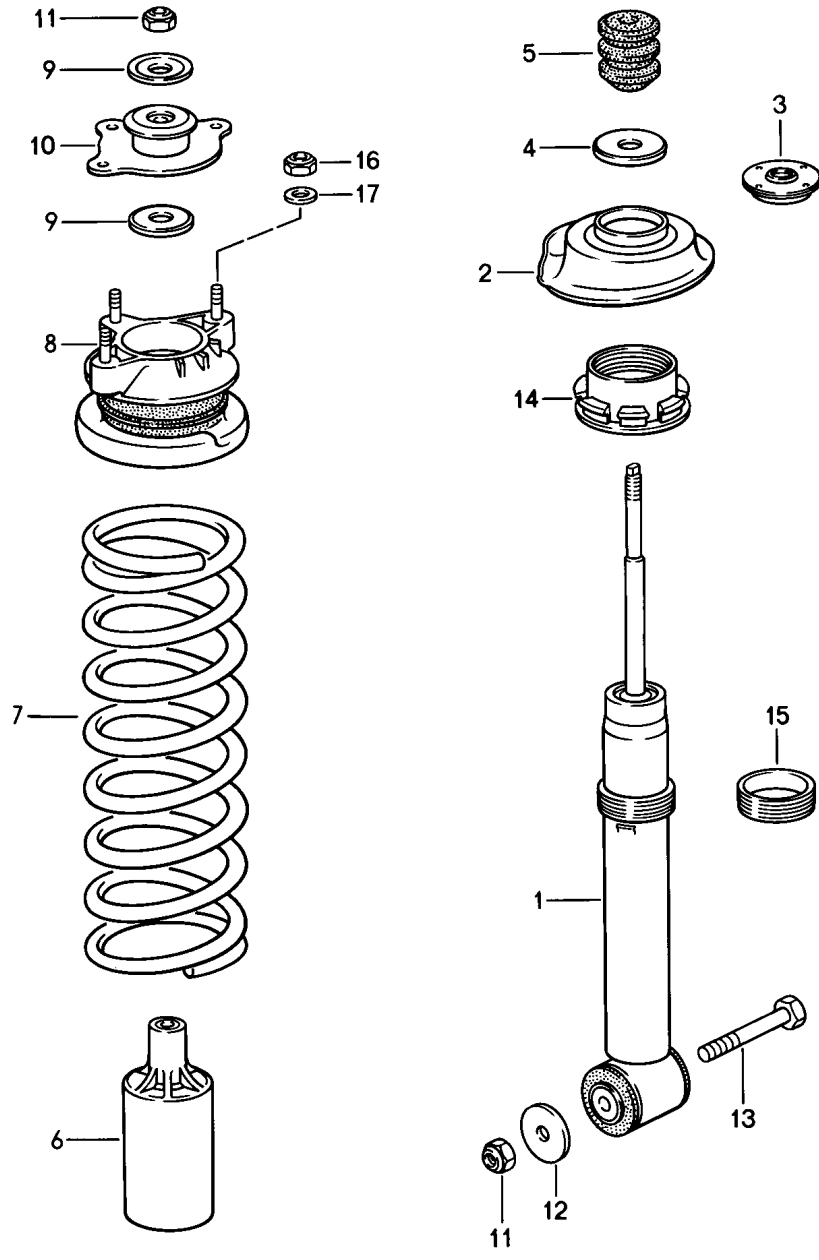
Model: 928 83

Model life 1983>>1986

Pos	Part Number	Description	Remark	Qty	Model
11A	999 025 074 02	Washer		2	
11A	999 025 074 01	Washer		2	
12	900 025 008 09	Washer A 10,5		6	
12	900 025 008 04	Washer A 10,5		6	
13	900 910 031 09	Lock nut NM 10		6	
13	900 910 031 01	Lock nut NM 10		6	
14	900 082 044 02	Hexagon-head bolt 12 X 1,5 X 125		2	
14	900 082 118 01	Hexagon-head bolt 12 X 1,5 X 125		2	

Model: 928 83

Model life 1983>>1986



Model: 928 83 Model life 1983>>1986

Pos	Part Number	Description	Remark	Qty	Model
1	928 343 055 04	suspension Front axle F 92ES8 60322>> F >>92GS8 60999 Vibration damper - boge - Modification parts Sports suspension - BOGE - Only by sets Front axle 92834305509	-85 (USA) (USA) VR/VL	2	
(1)	928 343 055 09	Only together with Rear axle 92833305117 Vibration damper - boge - Only together with Rear axle 92833305117	HR/HL VR/VL HR/HL	2 2	M474 M474
(1)	928 343 055 06	Vibration damper - bilstein -		2	
2	928 343 525 03	Concave washer - boge -		2	
(2)	928 343 525 04	Concave washer - bilstein -		2	
3	928 333 551 00	Supporting cover - boge -		2	
4	911 333 511 00	Washer		2	
5	928 343 527 02	Additional spring		2	
6	928 343 507 03	Boot		2	
7	928 343 511 06	Front wheel spring		1	
	928 343 511 06 204	Identification 1 set Green			
8	928 343 047 07	Concave washer		2	
8	928 343 047 08	Concave washer		2	
9	928 343 523 00	Washer		4	
10	928 343 051 01	Mounting for absorber		2	
11	900 910 046 02	Lock nut NM 12 X 1,5		4	
11	999 084 439 09	Lock nut NM 12 X 1,5		4	
11	999 084 445 09	Lock nut NM 12 X 1,5		4	
11	999 084 445 01	Lock nut NM 12 X 1,5		4	
12	999 025 074 02	Washer		2	
12	999 025 074 01	Washer		2	
13	900 082 044 02	Hexagon-head bolt M 12 X 1,5 X 125		2	
13	900 082 118 01	Hexagon-head bolt M 12 X 1,5 X 125		2	
14	928 343 535 02	Nut - boge -		2	
(14)	928 343 535 00	Nut - bilstein -		2	
15	928 343 537 00	Threaded ring - boge -		2	
16	900 025 008 09	Washer A 10,5		3	
16	900 025 008 04	Washer		3	

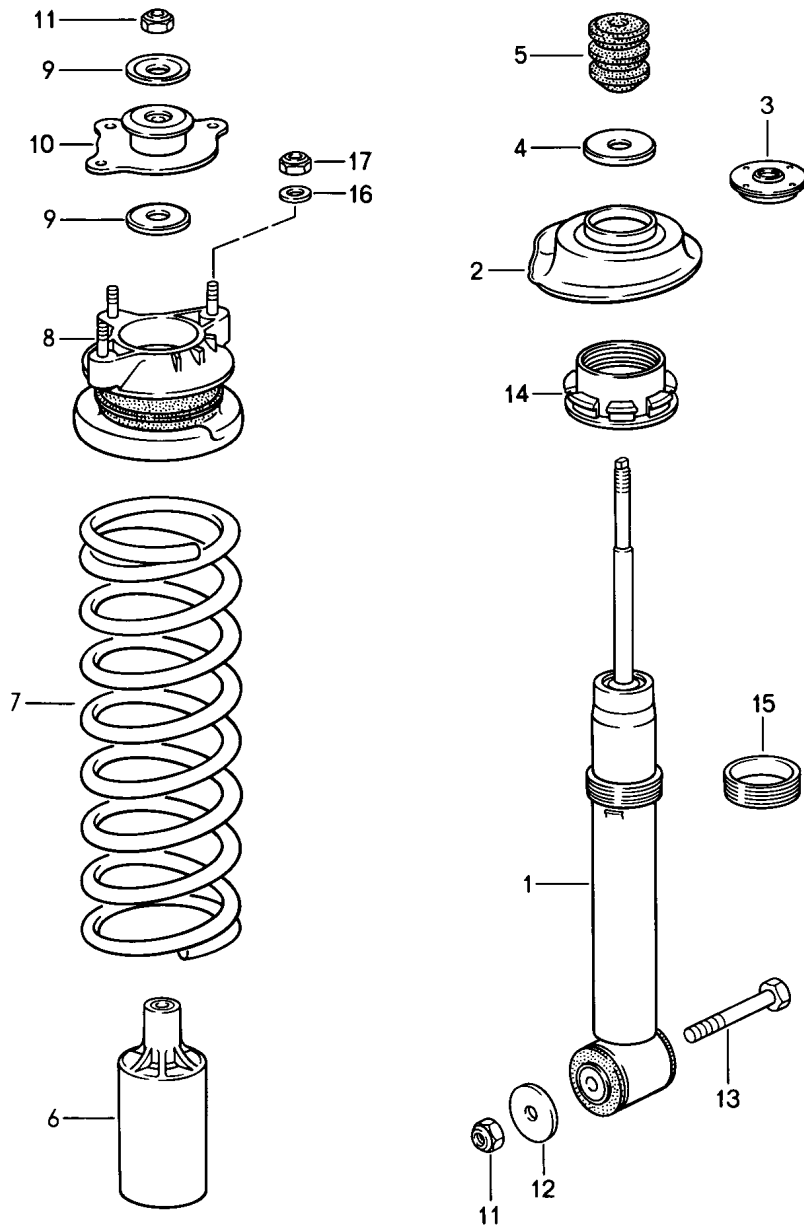
Model: 928 83

Model life 1983>>1986

Pos	Part Number	Description	Remark	Qty	Model
17	900 910 031 09	A 10,5 Lock nut M 10		3	
17	900 910 031 01	Lock nut M 10		3	

Model: 928 83

Model life 1983>>1986



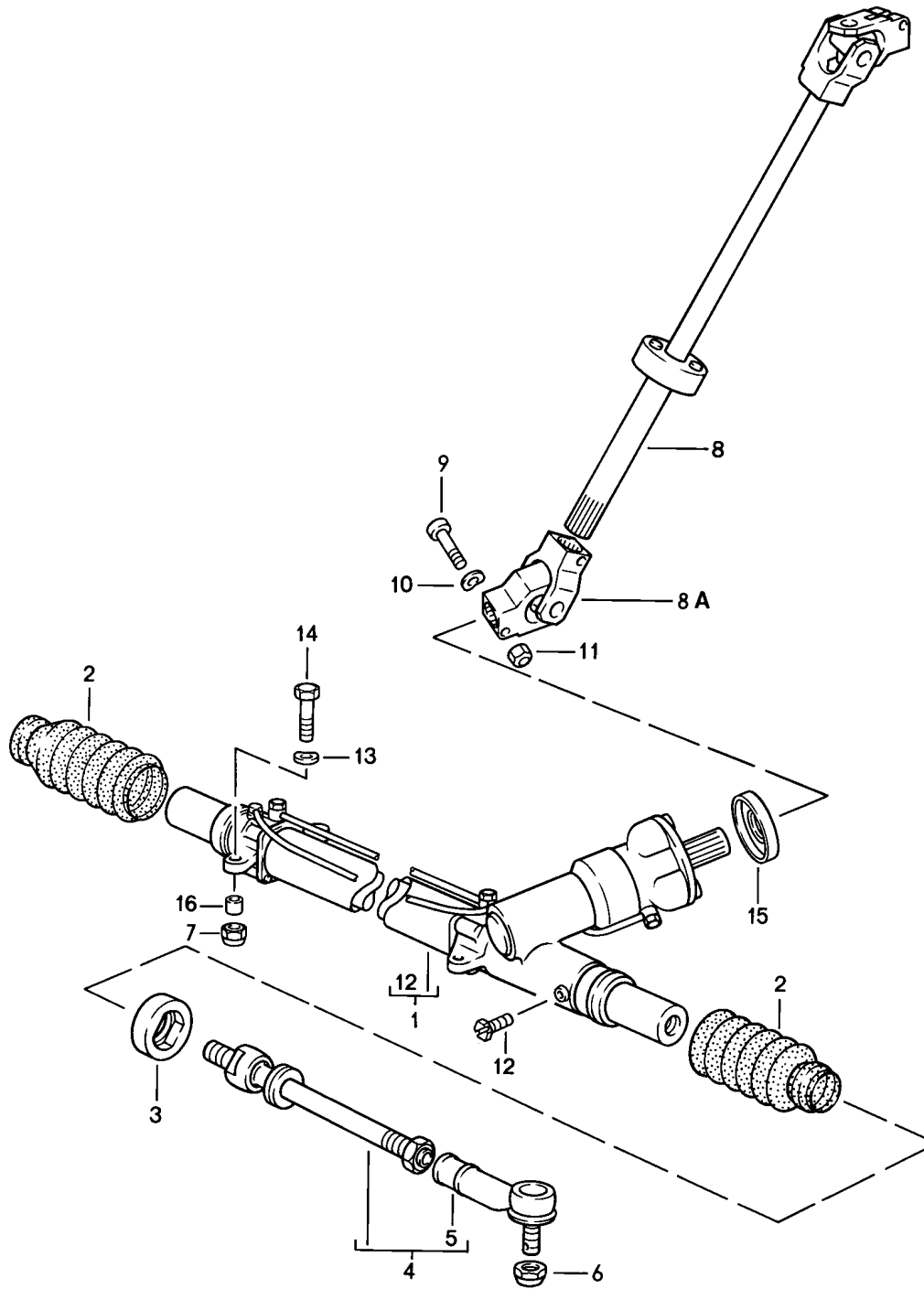
Model: 928 83

Model life 1983>>1986

Pos	Part Number	Description	Remark	Qty	Model
		suspension	86		
		Front axle			
		Attention			
		F 92GS8 61000>>			
1	928 343 055 07	Vibration damper		2	
		- boge -			
		Modification parts			
		Shock absorber			
		Only by sets			
		Front axle			
		928.343.055.09	VR/VL	2	M474
		Only together with			
		Rear axle			
		928.333.051.17	HR/HL	2	M474
(1)	928 343 055 09	Vibration damper		2	M474
		- boge -			
2	928 343 525 03	Concave washer		2	
		- boge -			
3	928 333 551 00	Supporting cover		2	
		- boge -			
4	911 333 511 00	Washer		2	
5	928 343 527 02	Additional spring		2	
6	928 343 507 03	Boot		2	
7	928 343 511 09	Front wheel spring		1	
		1 set			
	928 343 511 09 404	Identification			
		Brown			
7	928 343 511 09	Front wheel spring		1	
	928 343 511 09 403	Identification			
		Brown			
		1 set			
8	928 343 047 07	Concave washer		2	
8	928 343 047 08	Concave washer		2	
9	928 343 523 00	Washer		4	
10	928 343 051 01	Mounting for absorber		2	
11	N 022 141 1	Captive nut		4	
		NM 12 X 1,5			
11	900 360 002 01	Lock nut		4	
		NM 12 X 1,5			
11	900 360 002 0B	Lock nut		4	
		NM 12 X 1,5			
12	999 025 074 02	Washer		2	
12	999 025 074 01	Washer		2	
13	900 082 044 02	Hexagon-head bolt		2	
		M 12 X 1,5 X 125			
13	900 082 118 01	Hexagon-head bolt		2	
		M 12 X 1,5 X 125			
14	928 343 535 02	Nut		2	
		- boge -			
15	928 343 537 00	Threaded ring		2	
		- boge -			
16	900 025 008 09	Washer		3	
		A 10,5			
16	900 025 008 04	Washer		3	
		A 10,5			
17	900 910 031 09	Lock nut		3	
		NM 10			
17	900 910 031 01	Lock nut		3	
		NM 10			

Model: 928 83

Model life 1983>>1986

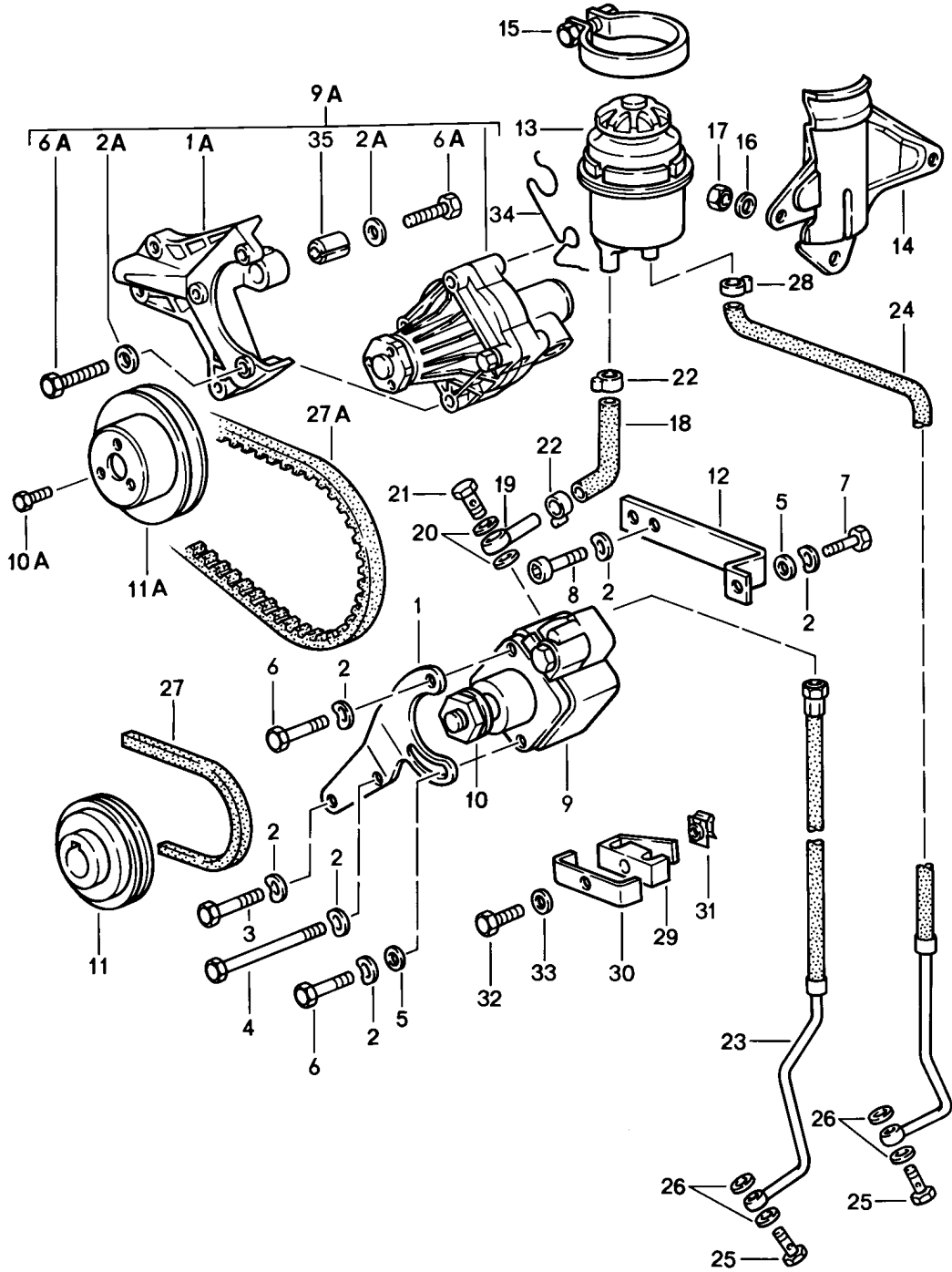


Model: 928 83 Model life 1983>>1986

Pos	Part Number	Description	Remark	Qty	Model
		Steering gear			
		Track rod			
1	928 347 010 24	Steering gear	/LL	1	
1	928 347 010 26	Steering gear	/LL	1	
1	928 347 010 27	Steering gear	/LL	1	
1	928 347 010 DX	Steering gear	/LL	1	
1	928 347 010 CX	Steering gear	/LL	1	
2	928 347 191 03	Bellows		2	
3	928 347 329 04	Stop		2	
4	928 347 031 01	Tie rod		2	
		F >>92GS8 60999			
(4)	928 347 031 07	Tie rod		2	
		F 92GS8 61000>>			
(4)	928 347 031 09	Tie rod		2	
		F 92GS8 61000>>			
5	928 347 322 02	Ball joint		2	
		F >>92GS8 60999			
(5)		Ball joint		2	
		F 92GS8 61000>>			
6	900 910 046 02	Lock nut		2	
6	999 084 439 09	Lock nut		2	
6	999 084 445 09	Lock nut		2	
6	999 084 445 01	Lock nut		2	
7	900 910 031 09	Lock nut		4	
7	900 910 031 01	Lock nut		4	
8	928 347 093 01	Intermed. steering shaft	/LL	1	
8A	928 347 021 04	Universal joint		1	
9	928 347 128 01	Fit bolt		3	
		F >>92GS8 60999			
(9)	N 010 359 4	Hexagon-head bolt		3	
		F 92GS8 61000>>			
10	N 012 241 8	Spring washer		3	
		B 8			
11	900 910 022 02	Lock nut		3	
12	999 063 002 40	Screw plug		1	
		AM 12 X 1,5			
13	900 028 005 02	Spring washer		4	
		-A 10-			
14	N 010 445 2	Hexagon-head bolt	/LL	4	
		M 10 X 45			
14	900 074 372 01	Hexagon-head bolt	/LL	4	
		M 10 X 45			
15	928 347 923 00	Protection cap		1	
16	928 347 779 03	Bush		4	

Model: 928 83

Model life 1983>>1986



Model: 928 83 Model life 1983>>1986

Pos	Part Number	Description	Remark	Qty	Model
		Steering Lines			
1	928 347 443 07	Support	-84	1	
1A	928 347 121 03	Support	85-	1	
1A		Support		1	
2	900 025 007 02	Washer A 8,4		7	
2	900 025 007 03	Washer A 8,4		7	
2A	900 025 007 02	Washer A 8,4		5	
2A	900 025 007 03	Washer A 8,4		5	
3	N 010 239 11	Hexagon-head bolt M 8 X 18		1	
3	N 010 239 30	Hexagon-head bolt M 8 X 18		1	
4	900 074 050 02	Hexagon-head bolt M 8 X 120		1	
(4)	900 075 321 02	Screw M 8 X 80		1	
5	900 025 007 02	Washer A 8,4		2	
5	900 025 007 03	Washer A 8,4		2	
6	900 075 085 02	Hexagon-head bolt M 8 X 20	-84	2	
6A	N 010 353 3	Hexagon-head bolt M 8 X 42		4	
7	900 074 139 02	Hexagon-head bolt M 8 X 55		1	
8	900 119 052 02	Pan-head screw M 8 X 16		2	
9	928 347 431 05	Vane type pump	-84	1	
-	928 347 431 EX	Vane type pump	-84	1	
-	928 347 921 00	Repair kit	-84	1	
9A	928 347 089 01	Vane type pump	85-	1	
9A	928 347 089 AX	Vane type pump	85-	1	
9A	928 347 089 BX	Vane type pump	85-	1	
-	928 347 921 01	Repair kit	85-	1	
10	900 910 094 02	Lock nut M 14 X 1,5		1	
10A	999 072 005 09	Hexagon nut M 6 X 12	85-	3	
10A	999 072 005 01	Hexagon nut M 6 X 12	85-	3	
11	928 347 441 08	Pulley	-84	1	
11A	928 347 441 10	Pulley	85-	1	
12	928 101 112 00	Strut		1	
13	928 347 015 03	Oil tank		1	
-	928 347 925 00	Lid Oil tank		1	
-	928 347 927 00	Gasket Lid		1	
14	928 347 333 00	Support		1	
-	928 501 817 02	Retaining bracket Pressure line		1	
-	928 501 817 02 GRV	Retaining bracket Prime coated Pressure line		1	
15	999 512 350 02	Hose clamp SGL 80-100-9	-84	1	
(15)		Hose clamp	85-	1	

Model: 928 83

Model life 1983>>1986

Pos	Part Number	Description	Remark	Qty	Model
16	900 151 008 02	SGL 80-100-9 Washer		3	
17	900 084 004 03	B 8,4 Hexagon nut		3	
17	900 084 004 02	NM 8 Hexagon nut		3	
18	928 347 445 00	Moulded hose		1	
18	928 347 445 01	Moulded hose		1	
(18)	928 347 445 05	Information available Moulded hose	85-	1	
(18)	928 347 445 06	Information available Moulded hose	85-	1	
19	999 230 077 02	Nipple with elastic ring	85-	1	
(19)	999 230 158 02	Nipple with elastic ring	-84	1	
20	N 013 832 2	Sealing ring	85-	2	
(20)	N 100 184 01	A 18 X 22 Sealing ring	-84	2	
21	900 134 010 02	A 16 X 20 Banjo bolt	85-	1	
(21)	900 134 014 02	Banjo bolt	-84	1	
22	999 512 297 02	A 10 Hose clamp	85-	3	
(22)	999 512 554 00	Hose clamp	-84	3	
23	928 347 447 02	Pressure line	/LL -84	1	
(23)	928 347 447 05	Pressure line	/LL 85-	1	
(24)	928 347 449 06	Return line	/LL	1	
-	999 511 134 02	Pipe clamp	-84	1	
-	999 511 116 02	10/20 Clamp	85-	1	
-	999 511 116 03	B 15 X 15 Clamp	85-	1	
-	900 067 008 02	B 15 X 15 Pan-head screw		1	
-	900 067 008 03	M 6 X 12 Pan-head screw		1	
25	900 134 007 02	M 6 X 12 Banjo bolt		2	
25	900 134 007 01	Banjo bolt		2	
25	PCG 134 007 01	Banjo bolt		2	
26	900 123 042 20	Sealing ring		4	
27	999 192 128 50	14 X 18 Narrow v-belt	-84	1	
27A	999 192 286 50	12,5 X 978 V-belt	85-	1	
28	N 023 569 2	12,5 X 1000 Hose clamp	-84	1	
28	PCG 023 569 2	Hose clamp		1	
(28)	999 511 116 02	Clamp	85-	1	
(28)	999 511 116 03	B 15 X 15 Clamp	85-	1	
29	999 511 121 40	B 15 X 15 Clip		1	
30	928 347 455 00	Shim		1	
31	999 507 003 02	Speed nut		1	
31	999 507 003 01	B 6,3 Speed nut		1	
32	900 187 032 02	B 6,3 Tapping screw		1	
(32)	900 187 015 02	B 6,3 X 32 Hexagon-head tapping screw		1	
33	N 011 524 7	6,3 X 16 Washer		1	

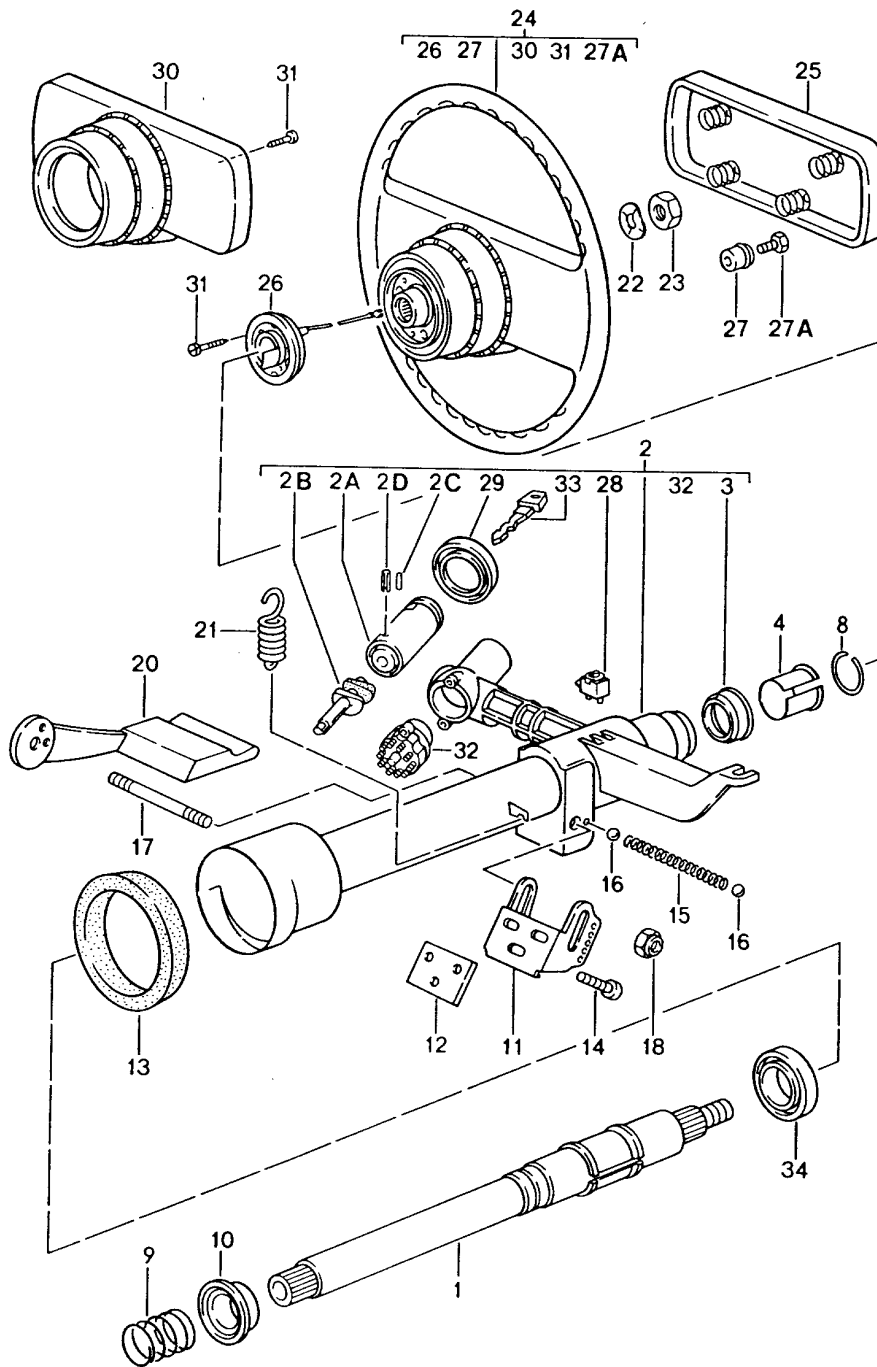
Model: 928 83

Model life 1983>>1986

Pos	Part Number	Description	Remark	Qty	Model
33	N 011 524 27	A 6,4 Washer		1	
34	928 347 429 00	A 6,4 Support		1	
35	928 347 335 00	Bush		1	

Model: 928 83

Model life 1983>>1986



Model: 928 83

Model life 1983>>1986

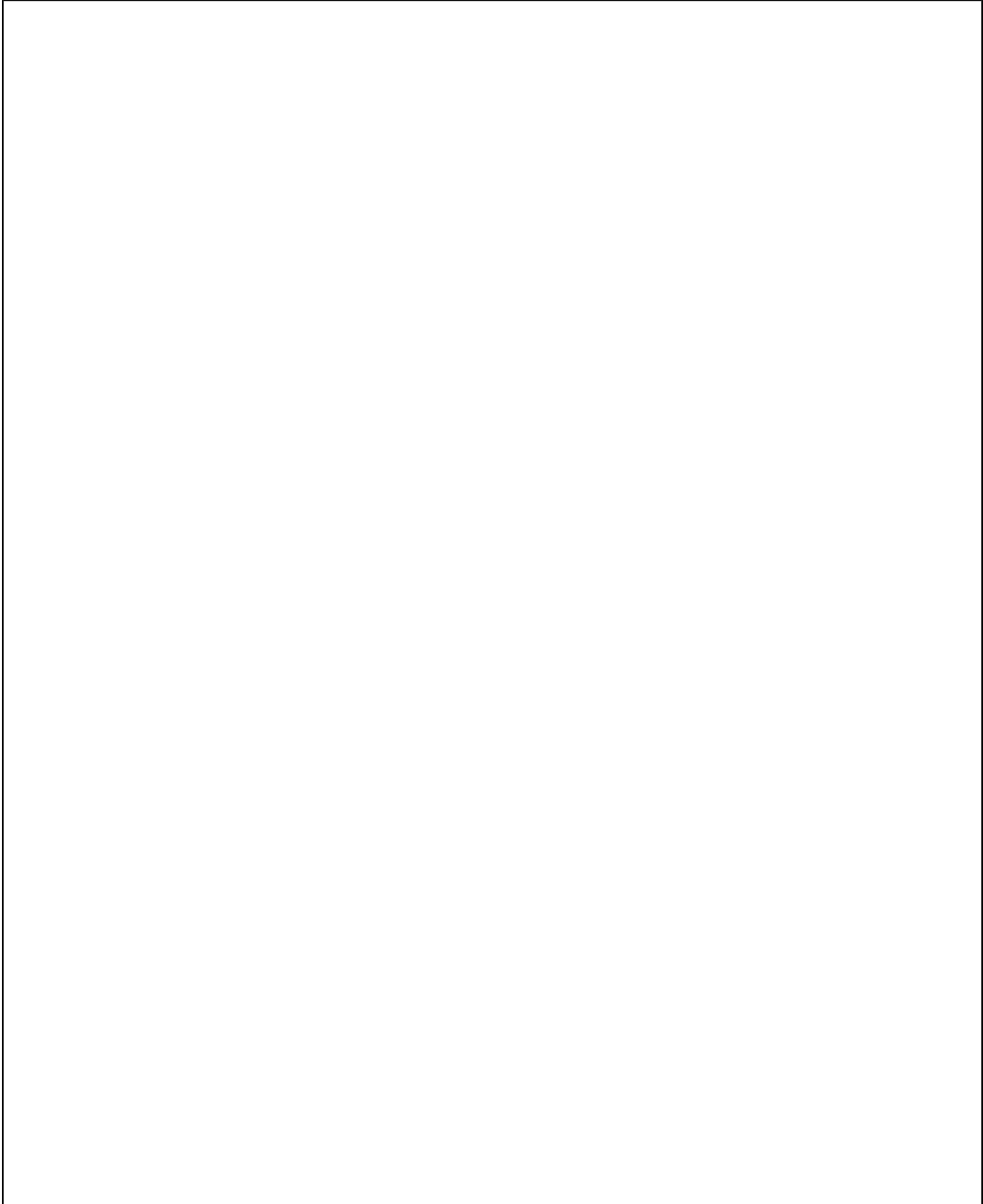
Pos	Part Number	Description	Remark	Qty	Model
1	928 347 061 06	Steering Steering wheel		1	
(2)	928 347 903 03	Steering shaft Steering lock with Steering outer tube with 1 key State lock number		1	
(2)	928 347 903 02	Steering lock with Steering outer tube with 1 key W/o stipulated lock number		1	
2A	928 347 915 01	Lock cylinder for Steering lock with 1 key W/o stipulated lock number		1	
2A	928 347 917 01	Lock cylinder for Steering lock with 1 key State lock number Key See group 8/04/05 POS.53/1		1	
2B	928 347 919 00	Control cams		1	
2B	928 347 755 02	Control cams Use also:		1	
-	928 347 962 00	Intermediate piece		1	
-	900 015 030 02	Intermediate piece		2	
2C	900 091 001 00	Dowel pin 3 X 8		1	
2D	900 095 007 00	Roll pin 3 X 12		1	
3	928 347 791 00	Steering shaft bearing		1	
4	928 347 739 02	Support ring		1	
8	113 415 531	Circlip		1	
9	928 347 213 04	Compression spring	-84	1	
(9)	928 347 213 07	Compression spring	85-	1	
-	N 100 545 01	Shim 0,3 MM		X	
-	N 027 416 1	Shim 0,5 MM		X	
-	N 100 511 01	Shim 1,0 MM		X	
-	N 100 512 01	Shim 1,5 MM		X	
10	928 347 241 01	Steering shaft bearing	-85	1	
10		Steering shaft bearing	86-	1	
11	928 347 369 04	Bracket		1	
12	928 347 370 01	Desk pad		X	
(12)	928 347 370 02	Desk pad		X	
(12)	928 347 370 03	Desk pad		X	
13	928 347 659 02	Sealing ring		1	
13		Sealing ring		1	
14	N 014 782 1	Pan-head screw M 6 X 25		3	
15	928 347 375 01	Compression spring		1	
16	900 108 020 00	Ball 6 MM		2	
17	928 347 259 02	Threaded bolt		1	
18	900 910 022 02	Lock nut		2	

Model: 928 83 Model life 1983>>1986

Pos	Part Number	Description	Remark	Qty	Model
20	928 347 033 02	Control lever		1	
21	928 347 377 03	Tension spring		1	
22	N 012 239 1	Spring washer B 18		1	
23	900 078 007 02	Hexagon nut M 18 X 1,5		1	
24	928 347 084 02	Sports steering wheel		1	
	928 347 084 02 1AJ	Black			
	928 347 084 02 4RB	Brown			
	928 347 084 02 7LD	Burgundy			
	928 347 084 02 30B	Blue			
	928 347 084 02 6JD	Dark green	85-		
	928 347 084 02 5JX	Greyish green	85-		
(24)	928 347 084 04	Sports steering wheel		1	M018
	928 347 084 04 1AJ	Black			
	928 347 084 04 4RB	Brown			
	928 347 084 04 7LD	Burgundy			
	928 347 084 04 30B	Blue			
	928 347 084 04 6JD	Dark green	85-		
	928 347 084 04 5JX	Greyish green	85-		
25	928 347 087 01	Padded cap	-84	1	
	928 347 087 01 1DB	Black			
	928 347 087 01 4RB	Brown			
	928 347 087 01 7LD	Burgundy			
	928 347 087 01 30B	Blue			
		Logo - 928 -			
(25)	911 347 859 01	Padded cap	85-	1	
	911 347 859 01 1AJ	Black			
	911 347 859 01 4RB	Cadbury brown			
	911 347 859 01 7LD	Burgundy			
	911 347 859 01 30B	Blue			
	911 347 859 01 6JD	Dark green			
	911 347 859 01 5JX	Greyish green			
		Logo - PORSCHE -			
(25)	911 347 859 07	Padded cap	85-	1	
	911 347 859 07 1AJ	Black			
	911 347 859 07 4RB	Cadbury brown			
	911 347 859 07 7LD	Burgundy			
	911 347 859 07 30B	Blue			
	911 347 859 07 6JD	Dark green			
	911 347 859 07 5JX	Greyish green			
		Logo - PORSCHE -			
26	928 347 099 00	Slip ring		1	
27	321 419 779 A	Insulating bush		4	
27A	900 075 230 10	Hexagon-head bolt M 4 X 16		4	
28	911 613 125 00	Buzzer contact		1	
29	928 347 913 00	Rubber boot		1	
30	928 347 857 02	Lining		1	
	928 347 857 02 1DB	Black			
	928 347 857 02 4RB	Brown			
	928 347 857 02 7LD	Burgundy			
	928 347 857 02 30B	Blue			
	928 347 857 02 6JD	Dark green	85-		
	928 347 857 02 5JX	Greyish green	85-		
31	113 415 869	Oval-head screw M 3,5 X 10		6	
34	999 052 151 00	Deep-groove ball bearing 19 x 32 x 7		1	

Model: 928 83

Model life 1983>>1986



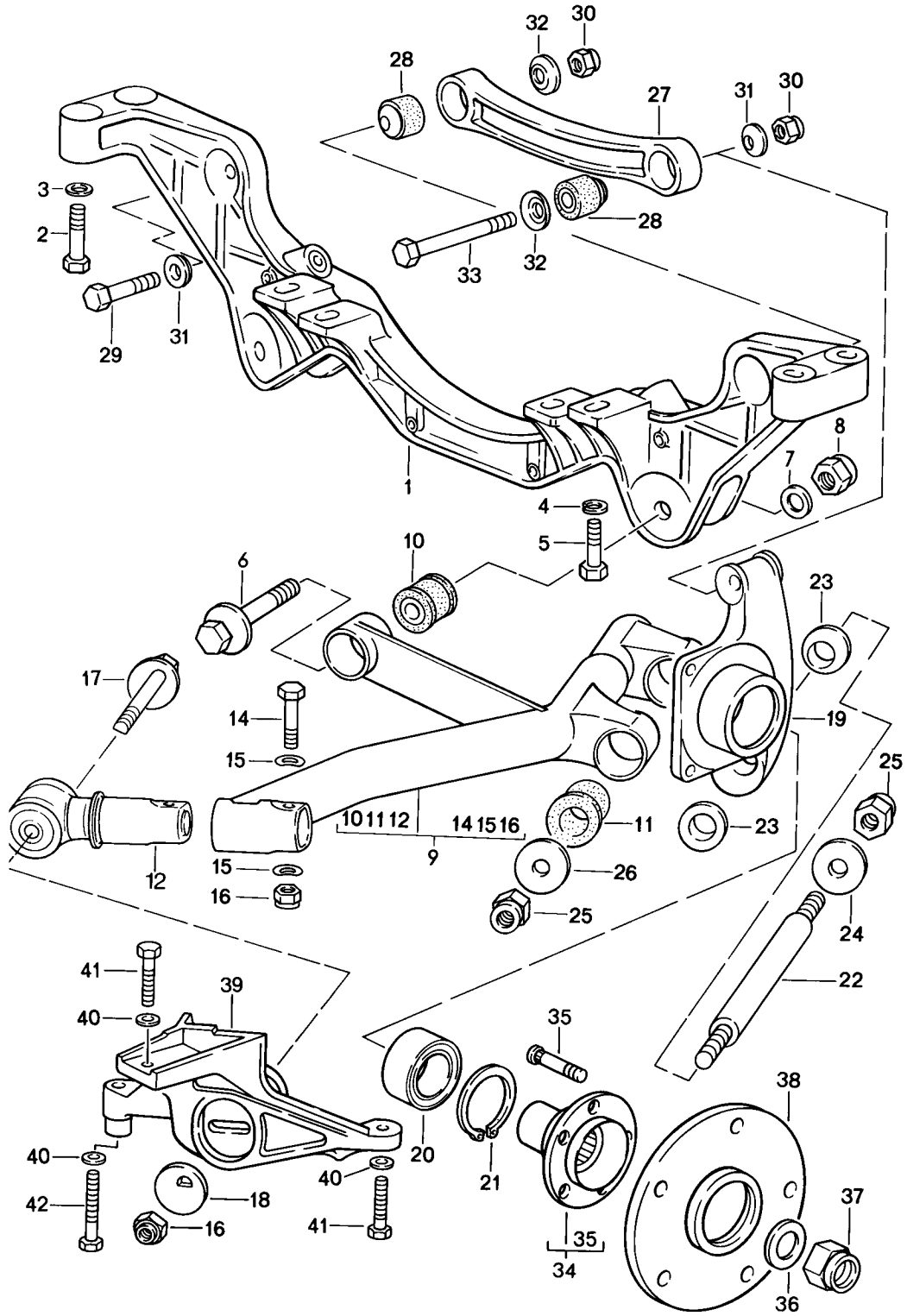
Model: 928 83

Model life 1983>>1986

Pos	Part Number	Description	Remark	Qty	Model
>>	928 347 921 00	Repair kits Repair kit for Vane type pump 928 347 431 05 Comprising: Sealing ring Front Sealing ring Inner Support ring Inner	-84	X	
>>	928 347 921 01	Repair kit for Vane type pump 928 347 431 12 Comprising: Sealing ring Front Sealing ring Inner Sealing ring Inner Sealing ring Inner	85-	X	

Model: 928 83

Model life 1983>>1986



Model: 928 83 Model life 1983>>1986

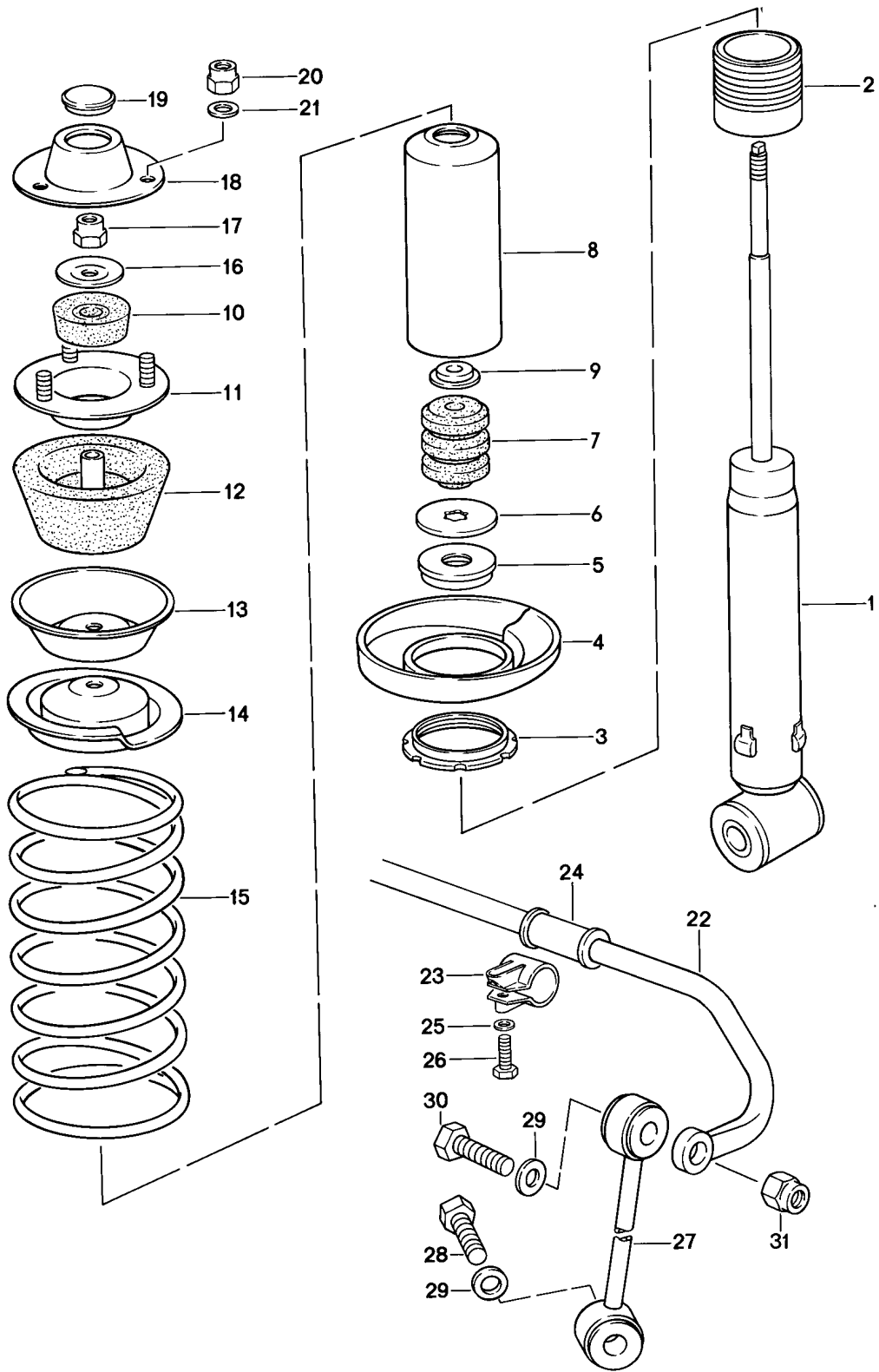
Pos	Part Number	Description	Remark	Qty	Model
(1)	928 331 131 17	Rear axle Rear axle cross member		1	M249
(1)	928 331 131 18	Rear axle cross member		1	M481
2	N 010 473 6	Hexagon-head bolt M 10 X 75	-85	4	
(2)		Hexagon-head bolt M 10 X 75	86	4	
3	900 223 011 01	Washer B 10,5		4	
3	900 223 011 02	Washer B 10,5		4	
4	999 025 086 02	Square washer 12,1 X 24		2	
4A	999 025 085 02	Washer 12,5 X 30 X 1		X	
5	N 010 141 4	Hexagon-head bolt M 12 X 1,5 X 45		2	
6	928 331 075 04	Eccentric screw		2	
7	928 331 581 00	Washer		2	
8	900 910 094 02	Lock nut		2	
9	928 331 043 06	Control arm	/L	1	
(9)	928 331 044 06	Control arm	/R	1	
10	928 331 588 10	Rubber mounting		2	
11	928 331 588 13	Rubber mounting		4	
11	928 331 588 15	Rubber mounting		4	
12	928 331 085 00	Rocker bar		2	
14	900 082 140 01	Hexagon-head bolt M 12 X 1,5 X 75		2	
15	900 028 014 02	Washer		4	
15	900 028 014 03	Washer		4	
16	N 022 141 4	Lock nut		4	
17	928 331 659 04	Eccentric screw F 92GS8 60061>>92GS8 60999		2	
(17)	928 331 659 05	Eccentric screw F 92GS8 61000>>		2	
18	928 331 523 12	Eccentric washer		2	
19	928 331 219 03	Wheel carrier	/L -84	1	
(19)		Wheel carrier	/L 85	1	
19	928 331 219 04	Wheel carrier F 92GS8 60061>>92GS8 60999	/L	1	M593
(19)	928 331 219 09	Wheel carrier F 92GS8 61000>>	/L	1	
(19)	928 331 220 03	Wheel carrier	/R -85	1	
(19)	928 331 220 04	Wheel carrier F 92GS8 60061>>92GS8 60999	/R	1	M593
(19)	928 331 220 09	Wheel carrier F 92GS8 61000>>	/R	1	
20	928 331 583 00	Angular-contact bearing		2	
(20)	999 053 050 00	Angular-contact bearing		2	
(20)	999 053 055 02	Angular-contact bearing		2	
21	900 042 030 02	Circlip		2	
22	928 331 641 01	Bearing pin		2	
23	928 331 655 06	Cone washer		4	
24	928 331 647 02	Washer		2	
25	900 910 094 02	Lock nut		4	
26	928 331 647 00	Washer		4	
27	928 331 101 02	Control arm		2	
28	928 331 089 02	Link bearing		4	
28	928 331 089 04	Link bearing		4	
29	N 010 470 7	Hexagon-head bolt M 10 X 70		2	
29	N 010 470 1	Hexagon-head bolt M 10 X 70		2	

Model: 928 83 Model life 1983>>1986

Pos	Part Number	Description	Remark	Qty	Model
30	900 910 031 09	Lock nut		4	
30	900 910 031 01	Lock nut		4	
32	928 331 575 01	Cone washer		4	
31	928 331 649 02	Cone washer		2	
33	N 010 482 3	Hexagon-head bolt M 10 X 105		2	
34	928 331 065 07	Rear-wheel hub with Wheel bolt		2	
(34)	928 331 065 08	Wheel hub Widening of track with Wheel bolt Oversize		2	
35	928 341 671 02	Wheel bolt		10	
(35)	901 331 671 01	Wheel bolt Widening of track Oversize		10	
36	928 331 591 02	Washer		2	
37	900 910 093 02	Lock nut		2	
38	477 501 701	Spacer ring		2	
39	928 331 111 00	Link bearing F 92GS8 61000>>	/L	1	
(39)	928 331 112 00	Link bearing F 92GS8 61000>>	/R	1	
40	900 223 011 01	Washer F 92GS8 61000>>		10	
40	900 223 011 02	Washer F 92GS8 61000>>		10	
41	N 010 450 5	Hexagon-head bolt M 10 X 50 F 92GS8 61000>>		4	
41	900 074 373 02	Hexagon-head bolt M 10 X 50 F 92GS8 61000>>		4	
42	N 010 473 6	Hexagon-head bolt M 10 X 75 F 92GS8 61000>>		6	

Model: 928 83

Model life 1983>>1986



Model: 928 83 Model life 1983>>1986

Pos	Part Number	Description	Remark	Qty	Model
1	928 333 051 08	suspension Stabiliser Vibration damper - boge - F >>92GS8 60999		2	
(1)	928 333 051 17	Vibration damper - boge - Only together with Front axle 92834305509	HR/HL	2	M474
		- boge -	HR/HL	2	M474
1	928 333 051 12	Vibration damper - bilstein - F >>92GS8 60999		2	M474
1	928 333 051 16	Vibration damper - boge -	86	2	
(1)	928 333 051 17	Vibration damper - boge - F 92GS8 61000>>		2	M474
2	928 333 511 05	Threaded sleeve - boge -		2	
3	928 333 513 02	Adjusting nut - boge -		2	
3	928 333 513 01	Adjusting nut - bilstein - F >>92GS8 60999		2	M474
4	928 333 521 02	Concave washer F >>92ES8 40561		2	
(4)	928 333 521 07	Concave washer		2	
5	928 333 551 00	Supporting cover - boge -		2	
6	911 333 511 00	Washer		2	
7	928 333 518 10	Additional spring		2	
8	928 333 502 01	Protective tube		2	
9	928 333 517 01	Retaining ring		2	
10	928 333 465 01	Damping rubber		2	
11	928 333 064 00	Fastening plate		2	
12	928 333 043 00	Supporting rubber		2	
12	928 333 043 01	Supporting rubber		2	
13	928 333 436 00	Supporting plate F >>92ES8 60561		2	
(13)	928 333 436 02	Supporting plate F 92ES8 60562>>		2	
14	928 333 522 04	Concave washer F >>92ES8 60561		2	
(14)	928 333 522 08	Concave washer F 92ES8 60562>>		2	
15	928 333 531 12	Rear wheel spring 1 set		1	
	928 333 531 12 104	Identification Yellow			
(15)	928 333 531 14	Rear wheel spring 1 set F >>92ES8 60561		1	
	928 333 531 14 304	Identification Blue			
(15)	928 333 531 16	Rear wheel spring 1 set F 92ES8 60562>>		1	
	928 333 531 16 304	Identification Blue			
16	928 333 525 01	F 92ES8 60562>> Washer		2	

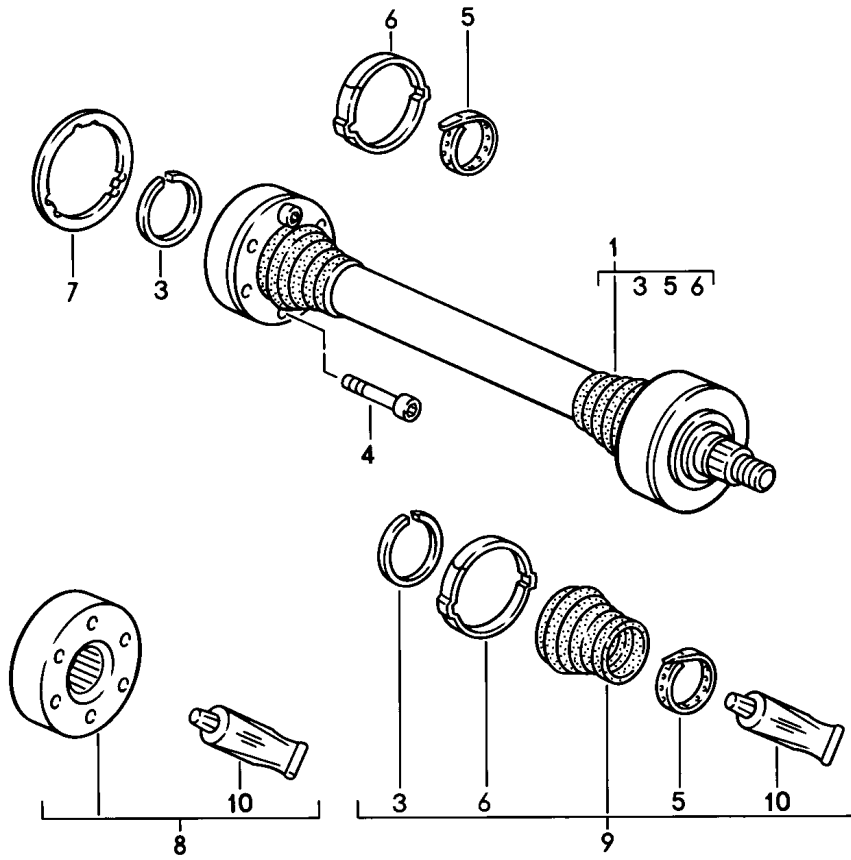
Model: 928 83

Model life 1983>>1986

Pos	Part Number	Description	Remark	Qty	Model
17	900 910 046 02	Lock nut		2	
17	999 084 439 09	Lock nut		2	
17	999 084 445 09	Lock nut		2	
17	999 084 445 01	Lock nut		2	
18	928 333 151 01	Lid		2	
18	928 333 151 02	Lid		2	
19	999 703 131 40	Lid		2	
20	900 910 031 09	Lock nut		6	
20	900 910 031 01	Lock nut		6	
21	900 025 008 09	Washer A 10,5		6	
21	900 025 008 04	Washer A 10,5		6	
22	928 333 701 34	Stabiliser 22 MM		1	
23	928 333 085 00	Clip		2	
24	928 333 754 26	Bearing 22 MM		2	
25	477 407 425	Washer		2	
26	N 010 472 4	Hexagon-head bolt M 10 X 85		2	
26	900 074 375 01	Hexagon-head bolt M 10 X 85		2	
27	928 333 059 01	Stabiliser mounting	/L	1	
27	928 333 059 02	Stabiliser mounting	/L	1	
(27)	928 333 060 01	Stabiliser mounting	/R	1	
(27)	928 333 060 02	Stabiliser mounting	/R	1	
28	N 010 445 2	Hexagon-head bolt M 10 X 45		2	
28	900 074 372 01	Hexagon-head bolt M 10 X 45		2	
29	928 333 761 00	Washer		4	
30	900 074 063 02	Hexagon-head bolt M 10 X 55		2	
30	900 074 380 01	Hexagon-head bolt M 10 X 55		2	
31	900 910 031 09	Lock nut		2	
31	900 910 031 01	Lock nut		2	

Model: 928 83

Model life 1983>>1986



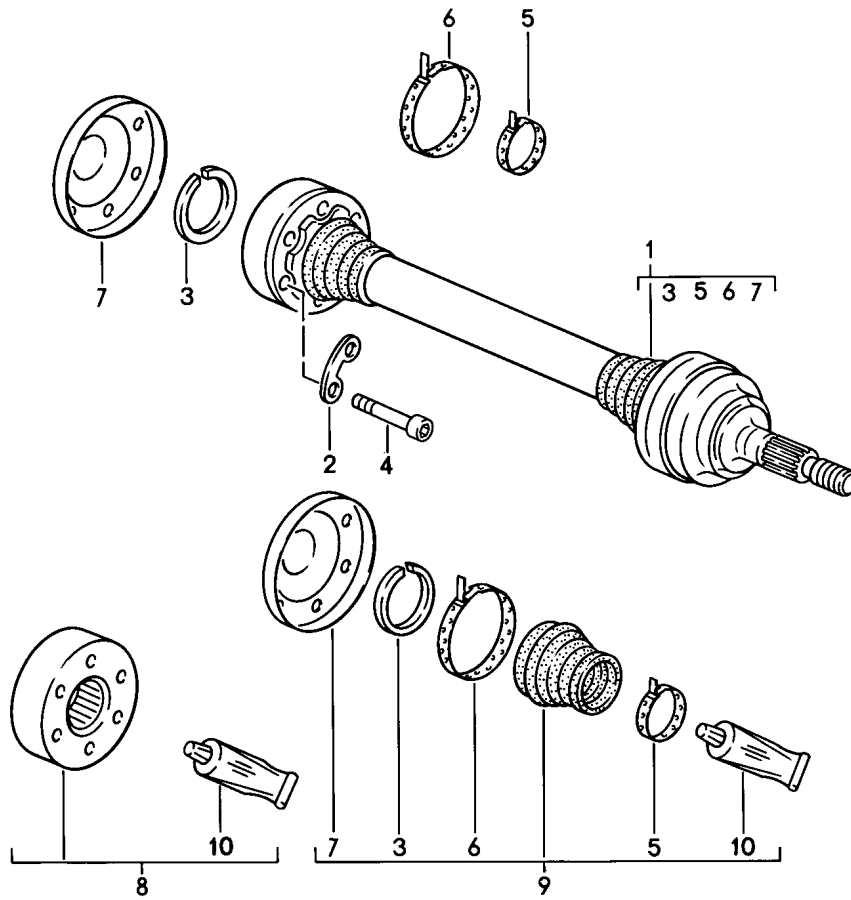
Model: 928 83

Model life 1983>>1986

Pos	Part Number	Description	Remark	Qty	Model
		Drive shaft F >>92FS8 60444			
1	928 332 033 30	Drive shaft	-84	2	
3	999 152 084 01	Circlip		2	
4	900 067 168 01	Pan-head screw M 10 X 57	-84	12	
5	928 332 257 01	Clip		4	
6	999 512 315 02	Clamp	-84	4	
6	999 512 486 00	Clamp		4	
7	930 332 297 00	Gasket	-84	2	
8	928 332 923 00	Repair kit	-84	X	
8	928 332 923 02	Drive shaft Repair kit	-84	X	
9	928 332 924 01	Drive shaft Repair kit	-84	X	
10	000 043 005 00	Drive shaft Grease Optimoly 1 90-gramme tube		X	

Model: 928 83

Model life 1983>>1986



Model: 928 83 Model life 1983>>1986

Pos	Part Number	Description	Remark	Qty	Model
		Drive shaft			
		F 92FS8 60445>>			
1	928 332 033 45	Drive shaft	-85	1	
1	928 332 033 41	Drive shaft		2	
		F 92GS8 60061>>92GS8 60999			
1	928 332 033 46	Drive shaft		2	
		F 92GS8 60061>>92GS8 60999			
(1)	928 332 033 44	Drive shaft	86-	2	
(1)	928 332 033 49	Drive shaft		2	
		F 92GS8 61000>>			
(1)	928 332 033 50	Drive shaft		2	
		F 92GS8 61000>>			
2	911 332 191 00	Plate		6	
3	999 152 084 01	Circlip		2	
4	900 067 123 01	Pan-head screw		12	
		M 10 X 50			
5	928 332 257 01	Clip		4	
6	911 332 257 00	Clip		4	
7	997 332 267 00	Lid		2	
8	928 332 923 01	Repair kit		X	
9	928 332 924 02	Repair kit		X	
9	000 043 301 08	Repair kit		X	
10	000 043 005 00	Grease		X	
		Optimoly			
		1 90-gramme tube			

Model: 928 83

Model life 1983>>1986

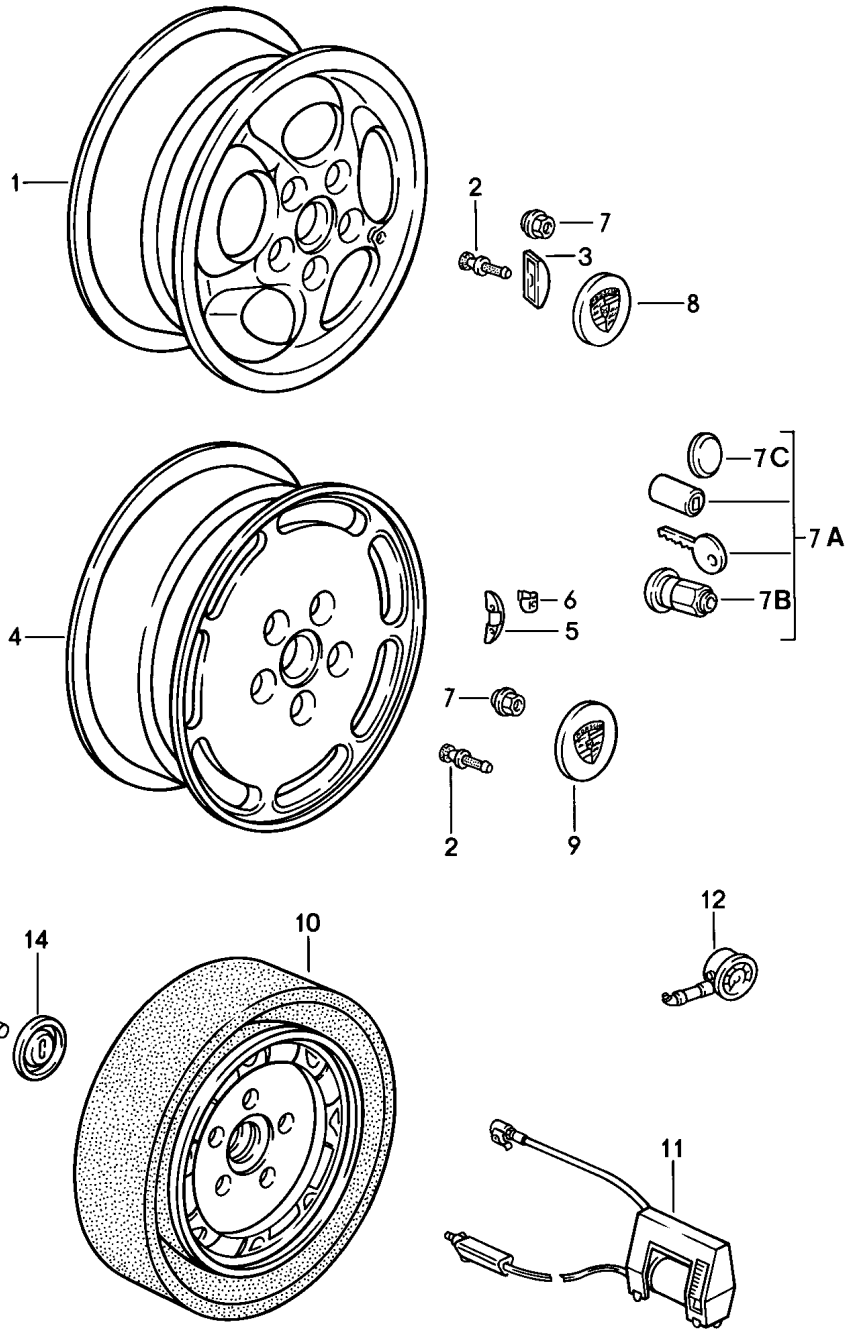


Model: 928 83 Model life 1983>>1986

Pos	Part Number	Description	Remark	Qty	Model
>>	928 332 924 01	Repair kit Repair kit for Drive shaft 928.332.033.30/35 Comprising: Dust bellows Grease for drive shaft Clip Hose clamp Circlip		X	
>>	928 332 924 02	Repair kit for Drive shaft 928.332.033.40/41/43 Comprising: Dust bellows Grease for drive shaft Clip Circlip Lid		X	
>>	000 043 301 08	Repair kit		X	
>>	928 332 923 00	Repair kit for Drive shaft 928.332.033.30/35 Comprising: Joint Grease for drive shaft		X	
>>	928 332 923 02	Repair kit for Drive shaft 928.332.033.30/35 Comprising: Joint Grease for drive shaft		X	
>>	928 332 923 01	Repair kit for Drive shaft 928.332.033.40/41/43 Comprising: Joint Grease for drive shaft		X	

Model: 928 83

Model life 1983>>1986



Model: 928 83 Model life 1983>>1986

Pos	Part Number	Description	Remark	Qty	Model
1	928 361 016 00	Wheels Alloy wheel 7 J X 16 Silver metallic	-85	4	
-	928 362 114 20	Alloy wheel 7 J X 16 Silver metallic for winter use		4	
2	900 265 001 50	Rubber valve		4	
2	900 265 001 51	Rubber valve		4	
3		Balance stick-on weight	-85	X	
-	901 361 410 50	Balance stick-on weight 5 G		X	
-	901 361 410 00	Balance stick-on weight 10 G		X	
-	901 361 411 50	Balance stick-on weight 15 G		X	
-	901 361 411 00	Balance stick-on weight 20 G		X	
-	901 361 412 50	Balance stick-on weight 25 G		X	
-	901 361 412 00	Balance stick-on weight 30 G		X	
-	901 361 413 50	Balance stick-on weight 35 G		X	
-	901 361 413 00	Balance stick-on weight 40 G		X	
-	901 361 414 50	Balance stick-on weight 45 G		X	
-	901 361 414 00	Balance stick-on weight 50 G		X	
-	901 361 415 50	Balance stick-on weight 55 G		X	
-	901 361 415 00	Balance stick-on weight 60 G		X	
-	901 361 416 50	Balance stick-on weight 65 G		X	
-	901 361 416 00	Balance stick-on weight 70 G		X	
-	901 361 417 50	Balance stick-on weight 75 G		X	
-	901 361 417 00	Balance stick-on weight 80 G		X	
4	928 362 115 01	Alloy wheel 7 J X 16 Forged Light platinum		4	
(4)	928 362 115 00	Alloy wheel 7 J X 16 Forged Silver metallic		4	
5		Balance weight Coated		X	
-	928 361 421 00	Balance weight 5 G		X	
-	928 361 410 00	Balance weight 10 G		X	
-	928 361 422 00	Balance weight 15 G		X	
-	928 361 411 00	Balance weight 20 G		X	
-	928 361 423 00	Balance weight 25 G		X	

Model: 928 83 Model life 1983>>1986

Pos	Part Number	Description	Remark	Qty	Model
-	928 361 412 00	Balance weight 30 G		X	
-	928 361 424 00	Balance weight 35 G		X	
-	928 361 413 00	Balance weight 40 G		X	
-	928 361 425 00	Balance weight 45 G		X	
-	928 361 414 00	Balance weight 50 G		X	
-	928 361 426 00	Balance weight 55 G		X	
-	928 361 415 00	Balance weight 60 G		X	
-	928 361 416 00	Balance weight 70 G		X	
-	928 361 417 00	Balance weight 80 G		X	
6	928 361 420 01	Retaining clip		X	
7	999 182 003 36	Wheel nut		20	
7A	928 361 047 03	Wheel nut 1 set Lockable		X	
7A	965 361 955 00	Wheel nut 1 set Lockable		X	
7A	968 361 955 00	Wheel nut 1 set Lockable		X	
7A	993 361 057 00	Wheel nut 1 set Lockable		X	
7B	928 361 306 01	Wheel nut F >>92GS8 60999		X	
(7B)	928 361 306 03	Wheel nut F 92GS8 61000>>		X	
7C	965 361 167 00	Cap F 92GS8 61000>>		X	
8	928 361 032 01	Hub cap for Perforated disc wheel 928.361.016.00 Porsche Wappen Silver metallic	-85	4	
(8)	PCG 361 032 01	Hub cap for Perforated disc wheel 928.361.016.00 Porsche Wappen Black	-85	4	
(8)	PCG 361 032 02	Hub cap for Perforated disc wheel 928.361.016.00 Porsche Wappen Black		4	
9	477 601 051 D	Hub cap for Perforated disc wheel 928.361.021.05 928.362.115.01		4	
9	477 601 051 G	Hub cap for		4	

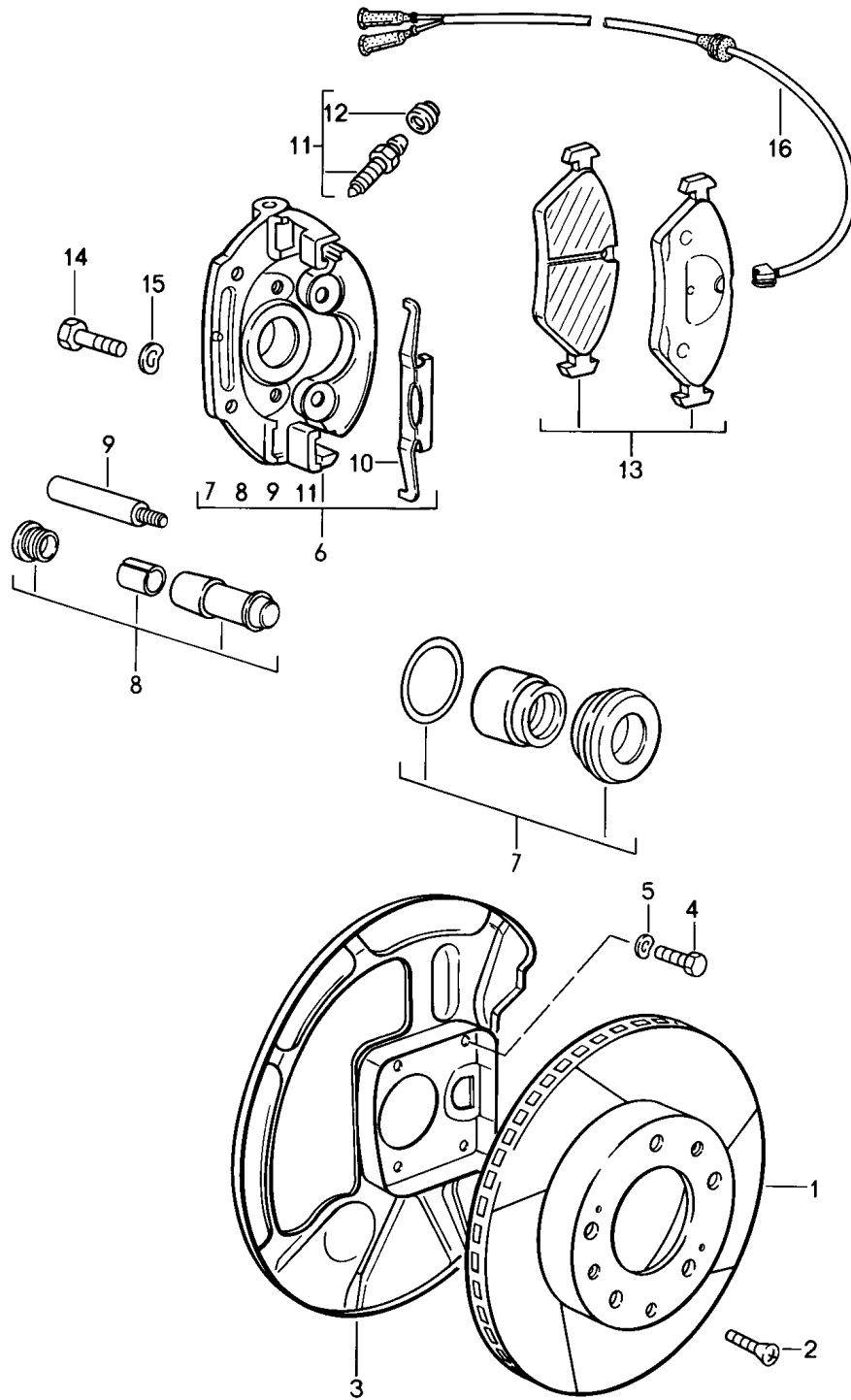
Model: 928 83

Model life 1983>>1986

Pos	Part Number	Description	Remark	Qty	Model
(9)	928 361 031 00	Perforated disc wheel 928.361.021.05 928.362.115.01 Platinum-metallic Hub cap for		4	
(10)	928 362 030 02	Perforated disc wheel 928.362.115.00 Emergency wheel 5 1/2 J X 15 with collapsible tire		1	
-	996 361 521 00	Boot for Impeller		1	
11	911 361 510 03	Small electric compressor		1	
12	911 722 202 00	Tyre pressure gauge Porsche Classic mit Lederhülle		1	
-	999 914 001 40	Plastic gloves Pieces		1 8	
-	911 361 522 00	Cover foil		1	
(13)	900 075 041 09	Hexagon-head bolt M 10 X 25 F >>92GS8 60999		1	
(13)	900 075 481 01	Hexagon-head bolt M 10 X 25 F >>92GS8 60999		1	
13	N 040 281 1	Hexagon-head bolt M 10 X 45 F 92GS8 61000>>		1	
13	900 075 516 01	Hexagon-head bolt M 10 X 45 F 92GS8 61000>>		1	
14	477 813 157	Mounting plate		1	

Model: 928 83

Model life 1983>>1986



Model: 928 83

Model life 1983>>1986

Pos	Part Number	Description	Remark	Qty	Model
		Disc brake Front axle Floating calliper F >>92GS8 60999 Use also: Mounting parts for	-86		
1	928 351 043 01	Brake pad	/L	1	
1	928 351 043 06	Brake disc	/L	1	
(1)	928 351 044 01	Brake disc	/R	1	
2	N 033 167 1	Countersunk-head screw M 6 X 12		4	
2	900 269 047 01	Countersunk-head screw M 6 X 12		4	
3	928 351 083 00	Protective plate	/L	1	
(3)	928 351 084 00	Protective plate	/R	1	
4	N 010 227 2	Hexagon-head bolt M 7 X 12		8	
5	900 028 019 08	Spring washer B 7		8	
6	928 351 427 00	Floating calliper without pad	/L	1	
(6)	928 351 427 01	F >>92DS8 61385 Floating calliper without pad	/L	1	
(6)	928 351 428 00	F 92DS8 61386>> Floating calliper without pad	/R	1	
(6)	928 351 428 01	F >>92DS8 61385 Floating calliper without pad	/R	1	
-	999 134 027 02	F 92DS8 61386>> Banjo bolt		2	
-	999 134 027 0B	F 92DS8 61386>> Banjo bolt		2	
-	N 013 806 2	F 92DS8 61386>> Sealing ring		4	
7	928 351 943 00	Gasket set		X	
8	928 351 949 00	Set of damping sleeves Deleted		X	
9	928 351 947 00	Gleit Guide pin		4	
10	928 351 953 00	Retainer spring F >>92DS8 61385		2	
(10)	928 351 953 01	F 92DS8 61386>> Retainer spring		2	
11	928 351 945 01	Ventilation valve F >>92DS8 61385		2	
(11)	928 351 945 02	F 92DS8 61386>> Ventilation valve		2	
12	901 351 927 10	Dust boot		2	
13	928 351 931 01	Brake pad repair set		1	
(13)		without asbestos		1	
14	N 010 142 2	Hexagon-head bolt M 12 X 1,5 X 50		4	
15	900 028 014 02	Washer B 12		4	
15	900 028 014 03	Washer B 12		4	
16	928 612 315 01	Warning contact		2	

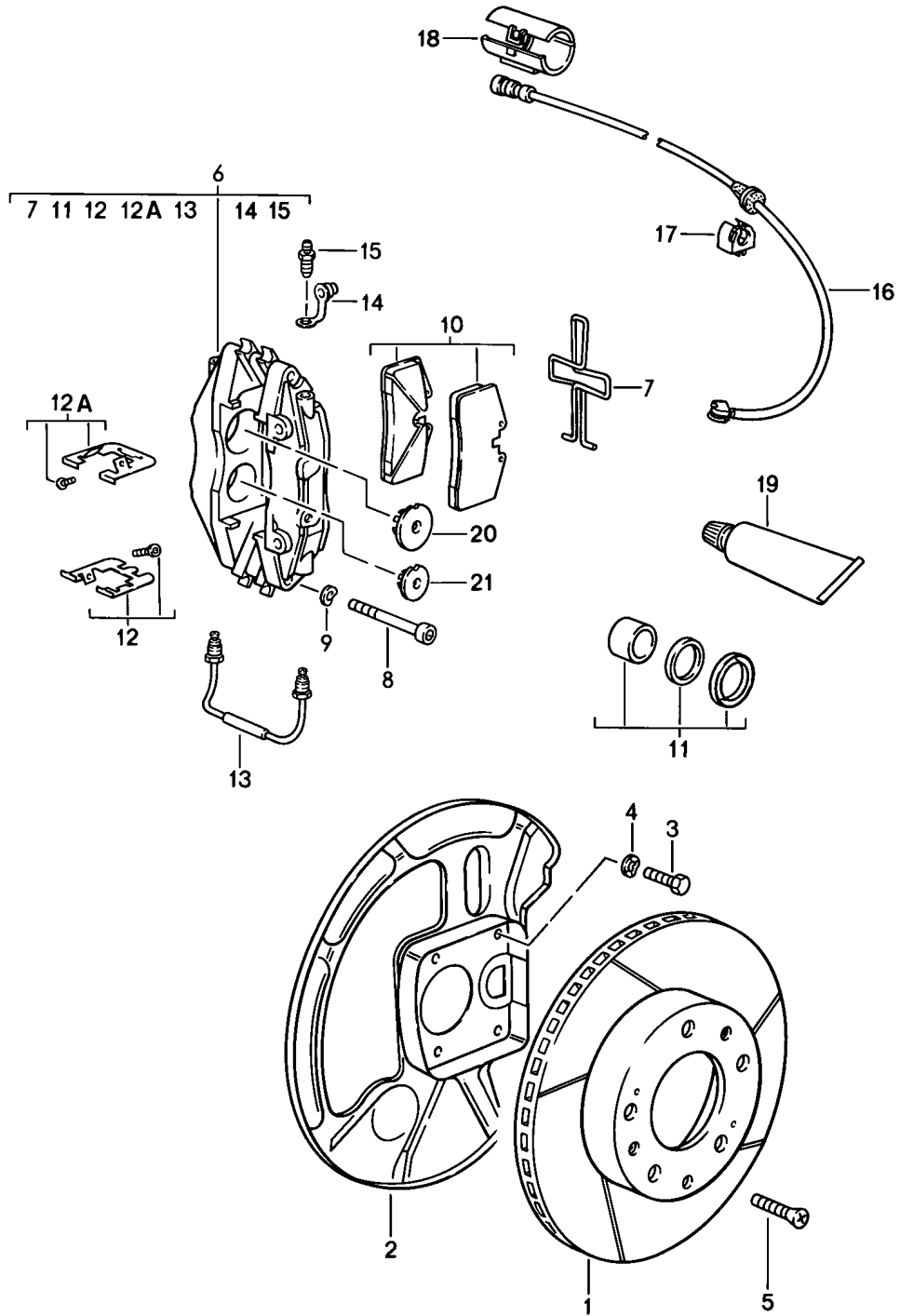
Model: 928 83

Model life 1983>>1986

Pos	Part Number	Description	Remark	Qty	Model
16	928 612 315 03	Warning contact		2	
-	999 651 165 02	Cable clamp		2	
-	999 651 162 40	Cable holder		2	
-	999 651 154 40	Cable tie		2	
-	999 651 161 40	Cable tie		4	

Model: 928 83

Model life 1983>>1986



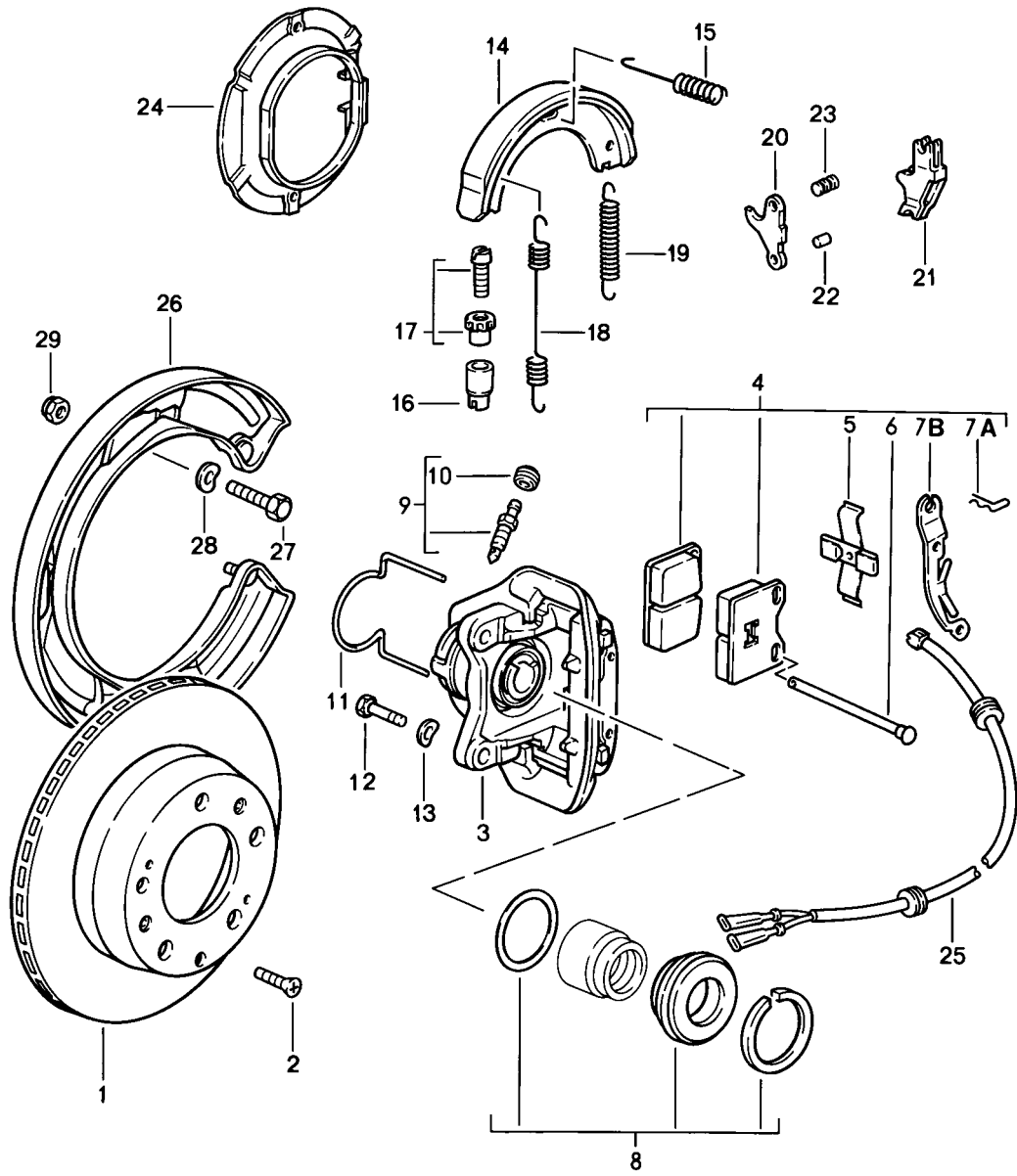
Model: 928 83

Model life 1983>>1986

Pos	Part Number	Description	Remark	Qty	Model
		Disc brake Front axle Fixed calliper F 92GS8 61000>> Use also: Mounting parts for Brake pad	86		
1	928 351 043 60	Brake disc	/L	1	
(1)	928 351 044 60	Brake disc	/R	1	
2	928 351 083 03	Protective plate	/L	1	
(2)	928 351 084 03	Protective plate	/R	1	
3	N 010 227 2	Hexagon-head bolt M 7 X 12		8	
4	900 028 019 08	Spring washer B 7		8	
5	N 033 167 1	Countersunk-head screw M 6 X 12		4	
5	900 269 047 01	Countersunk-head screw M 6 X 12		4	
6	928 351 421 00	Fixed calliper without pad	/L	1	
(6)	928 351 422 00	Fixed calliper without pad	/R	1	
7	928 351 950 01	Expanding spring		2	
8	900 067 154 02	Pan-head screw M 12 X 1,5 X 70		4	
9	N 011 564 2	Washer		4	
9	N 011 564 4	Washer		4	
10	928 351 939 01	Brake pad repair set Contains asbestos		1	
(10)	993 351 939 01	Brake pad repair set without asbestos		1	
11	928 351 919 00	Repair kit 42 MM		X	
(11)	951 351 919 01	Gasket set 36 MM		X	
12	993 351 959 00	Repair kit		X	
12A	993 351 959 01	Repair kit		X	
13	928 351 971 00	Connecting line		2	
14	930 351 919 00	Ventilation valve		4	
15	930 351 927 00	Dust boot		4	
15	930 351 927 01	Dust boot		4	
16	928 612 315 02	Warning contact		2	
17	928 612 409 00	Clip		6	
18	928 612 531 01	Push-on connector	/L	1	
(18)	928 612 531 00	Push-on connector	/R	1	
19	000 043 117 00	Brake cylinder paste 1 50-g tube		X	
19	000 043 305 11	Brake cylinder paste 1 50-g tube		X	
20	928 351 096 18	Damping plate 42 MM		4	
21	928 351 096 19	Damping plate 36 MM		4	

Model: 928 83

Model life 1983>>1986



Model: 928 83

Model life 1983>>1986

Pos	Part Number	Description	Remark	Qty	Model
		Disc brake	-85		
		Rear axle	86		
		F >>92GS8 60999			
		Use also:			
		Mounting parts			
		for			
		Brake pad			
1	944 352 041 02	Brake disc		2	
2	N 033 167 1	Countersunk-head screw		4	
		M 6 X 12			
2	900 269 047 01	Countersunk-head screw		4	
		M 6 X 12			
3	928 352 425 01	Floating calliper	/L	1	
		without pad			
(3)	928 352 426 01	Floating calliper	/R	1	
		without pad			
(4)	928 352 951 02	Brake pad repair set	/H	1	
		without asbestos			
		Use also:			
-	928 352 953 00	Set of fastening parts	/H	1	
5	928 352 935 00	Expanding spring		2	
6	928 352 953 00	Set of fastening parts		4	
7A	901 351 955 10	Safety clip		4	
7B	928 352 823 00	Cable guide plate		2	
8	928 352 941 00	Gasket set		2	
9	901 352 977 10	Bleeder valve		2	
10	901 351 927 10	Dust boot		2	
11	928 352 939 00	Guide spring	/L	1	
(11)	928 352 940 00	Guide spring	/R	1	
12	900 082 077 02	Hexagon-head bolt		4	
		M 12 X 1,5 X 37			
12	900 082 145 01	Hexagon-head bolt		4	
		M 12 X 1,5 X 37			
13	900 028 014 02	Washer		4	
		B 12			
13	900 028 014 03	Washer		4	
		B 12			
14	996 352 993 00	Repair kit		4	
(14)	997 352 993 02	Brake shoe		1	
		1 set			
		Only together with			
		Compression spring			
		996.352.741.00			
		Adjusting screw			
		993.352.071.00			
15	928 352 957 02	Compression spring		4	
(15)	996 352 741 00	Compression spring		4	
		Only together with			
		Repair kit			
		997.352.993.02			
16	911 352 944 00	Support bush		2	
17	911 352 098 00	Adjusting screw		2	
17	911 352 098 01	Adjusting screw		2	
18	901 352 954 10	Return spring		2	
19	901 352 932 10	Return spring		2	
20	993 352 073 00	Push-button lock		2	
21		Push-button lock		2	
22	993 352 737 00	Bolt		2	
23	928 352 447 00	Articulated bolt		2	
24	928 352 081 01	Brake mounting plate		2	
25	928 612 313 01	Warning contact		2	
25	928 612 313 05	Warning contact		2	
-	999 651 165 02	Cable clamp		2	

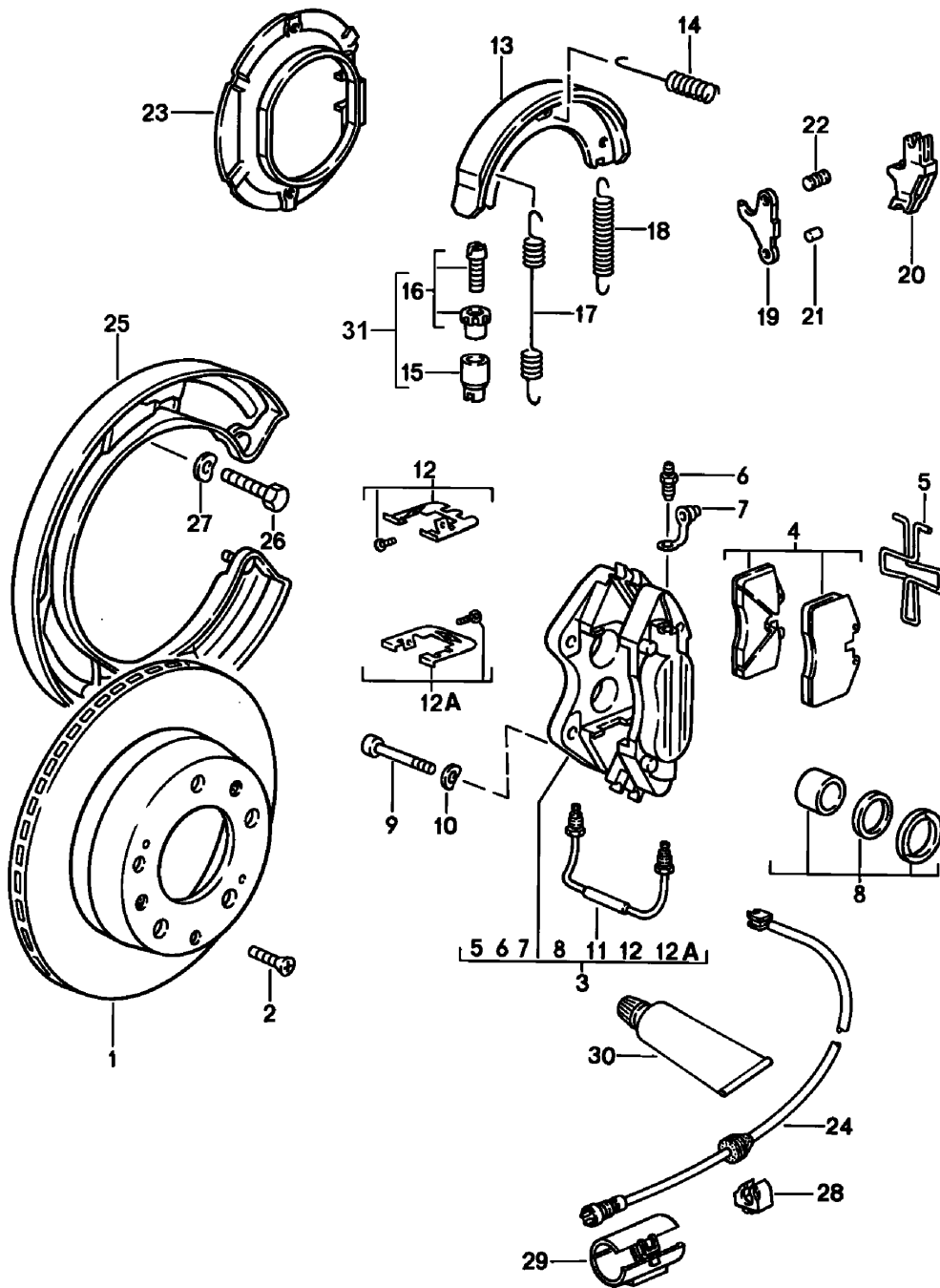
Model: 928 83

Model life 1983>>1986

Pos	Part Number	Description	Remark	Qty	Model
-	113 142 261 A	Clip		2	
-	999 651 161 40	Cable tie		7	
26	928 352 813 02	Protective plate	/L	1	
(26)	928 352 814 02	Protective plate	/R	1	
27	900 119 030 02	Pan-head screw M 8 X 20		6	
(27)	900 075 057 02	Hexagon-head bolt M 6 X 15		2	
(27)	900 075 057 03	Hexagon-head bolt M 6 X 15		2	
28	N 012 241 8	Spring washer B 8		6	
(28)	N 012 226 5	Spring washer A 6		2	
29	900 910 022 02	Lock nut		6	
30	993 352 071 00	Adjusting screw Only together with Repair kit 997.352.993.02		2	
30	298 609 723	Adjusting screw Only together with Repair kit 997.352.993.02		2	

Model: 928 83

Model life 1983>>1986



Model: 928 83

Model life 1983>>1986

Pos	Part Number	Description	Remark	Qty	Model
		Disc brake	86		
		Rear axle			
		F 92GS8 61000>>			
		Use also:			
		Mounting parts			
		for			
		Brake pad			
1	951 352 041 01	Brake disc		2	
1	951 352 041 03	Brake disc		2	
2	N 033 167 1	Countersunk-head screw		4	
		M 6 X 12			
2	900 269 047 01	Countersunk-head screw		4	
		M 6 X 12			
3	928 352 421 00	Fixed calliper	/L	1	
(3)	928 352 422 00	Fixed calliper	/R	1	
4	951 351 939 01	Brake pad repair set		1	
		Contains asbestos			
(4)	965 352 939 04	Brake pad repair set		1	
		without asbestos			
5	951 352 950 00	Expanding spring		2	
6	930 351 919 00	Ventilation valve		2	
7	930 351 927 00	Dust boot		2	
7	930 351 927 01	Dust boot		2	
8	951 352 919 00	Gasket set		X	
		30 MM			
(8)	951 352 919 01	Repair kit		X	
		28 MM			
9	900 082 077 02	Hexagon-head bolt		4	
		M 12 X 1,5 X 37 X 20			
9	900 082 145 01	Hexagon-head bolt		4	
		M 12 X 1,5 X 37 X 20			
10	900 028 014 02	Washer		4	
		B 12			
10	900 028 014 03	Washer		4	
		B 12			
11	951 352 971 00	Connecting line		2	
12	993 352 959 00	Repair kit		X	
12A	993 352 959 01	Repair kit		X	
13	996 352 993 00	Repair kit		4	
(13)	997 352 993 02	Brake shoe		1	
		1 set			
		Only together with			
		Compression spring			
		996.352.741.00			
		Adjusting screw			
		993.352.071.00			
14	928 352 957 02	Compression spring		4	
(14)	996 352 741 00	Compression spring		4	
		Only together with			
		Repair kit			
		997.352.993.02			
15	911 352 944 00	Support bush		2	
16	911 352 098 00	Adjusting screw		2	
16	911 352 098 01	Adjusting screw		2	
17	901 352 954 10	Return spring		2	
18	901 352 932 10	Return spring		2	
19	993 352 073 00	Push-button lock		2	
20		Push-button lock		2	
21	993 352 737 00	Bolt		2	
22	928 352 447 00	Articulated bolt		2	
23	928 352 081 01	Brake mounting plate		2	
24	928 612 313 02	Warning contact		2	
24	928 612 313 04	Warning contact		2	

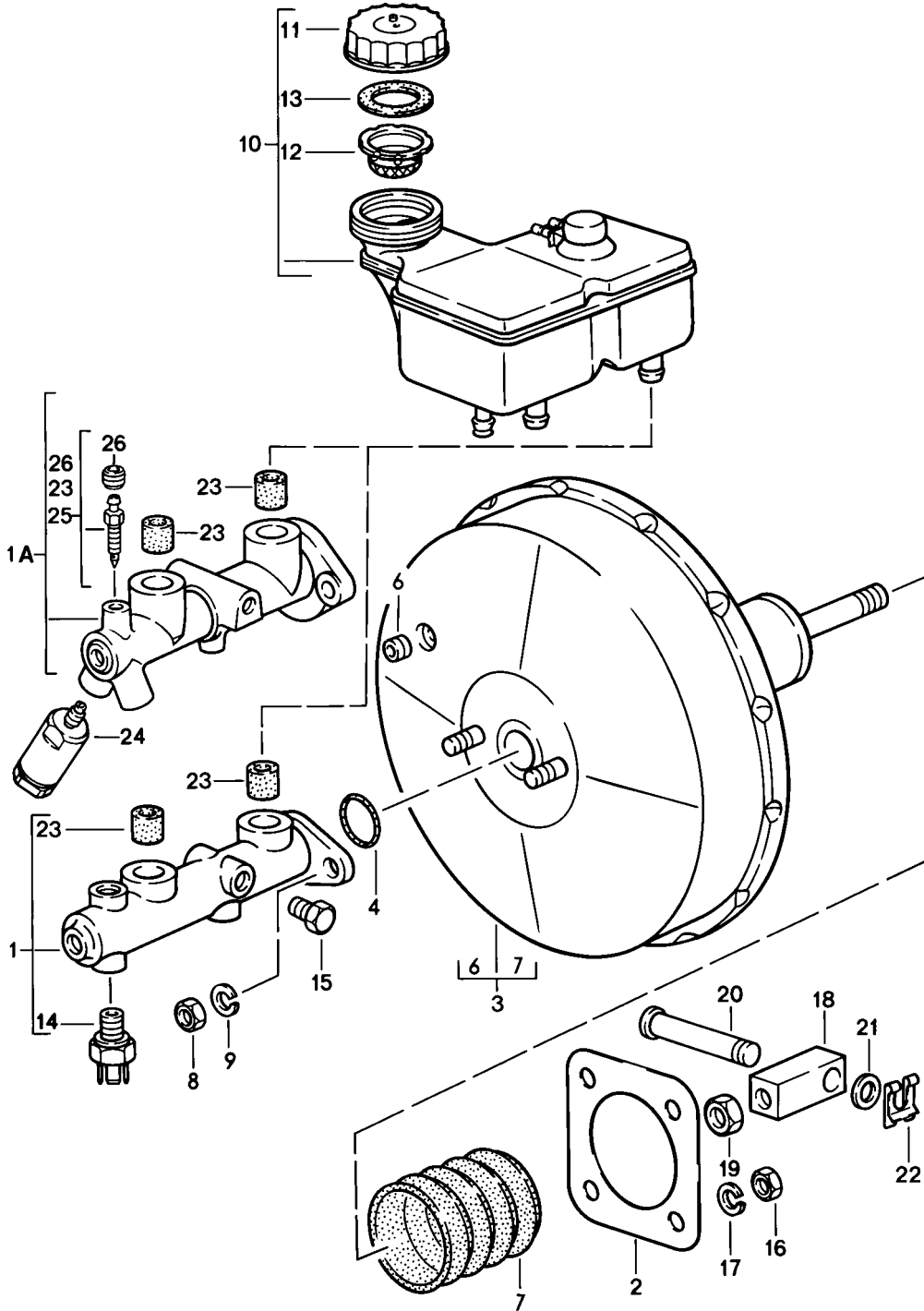
Model: 928 83

Model life 1983>>1986

Pos	Part Number	Description	Remark	Qty	Model
25	928 352 813 03	Protective plate	/L	1	
(25)	928 352 814 03	Protective plate	/R	1	
26	999 072 005 09	Hexagon nut M 6 X 12		6	
26	999 072 005 01	Hexagon nut M 6 X 12		6	
27	N 012 226 5	Spring washer B 6		6	
28	928 612 409 00	Clip		6	
29	928 612 531 01	Push-on connector	/L	2	
(29)	928 612 531 00	Push-on connector	/R	2	
30	000 043 117 00	Brake cylinder paste 1 50-g tube		X	
30	000 043 305 11	Brake cylinder paste 1 50-g tube		X	
31	993 352 071 00	Adjusting screw Only together with Repair kit 997.352.993.02		2	
31	298 609 723	Adjusting screw Only together with Repair kit 997.352.993.02		2	

Model: 928 83

Model life 1983>>1986

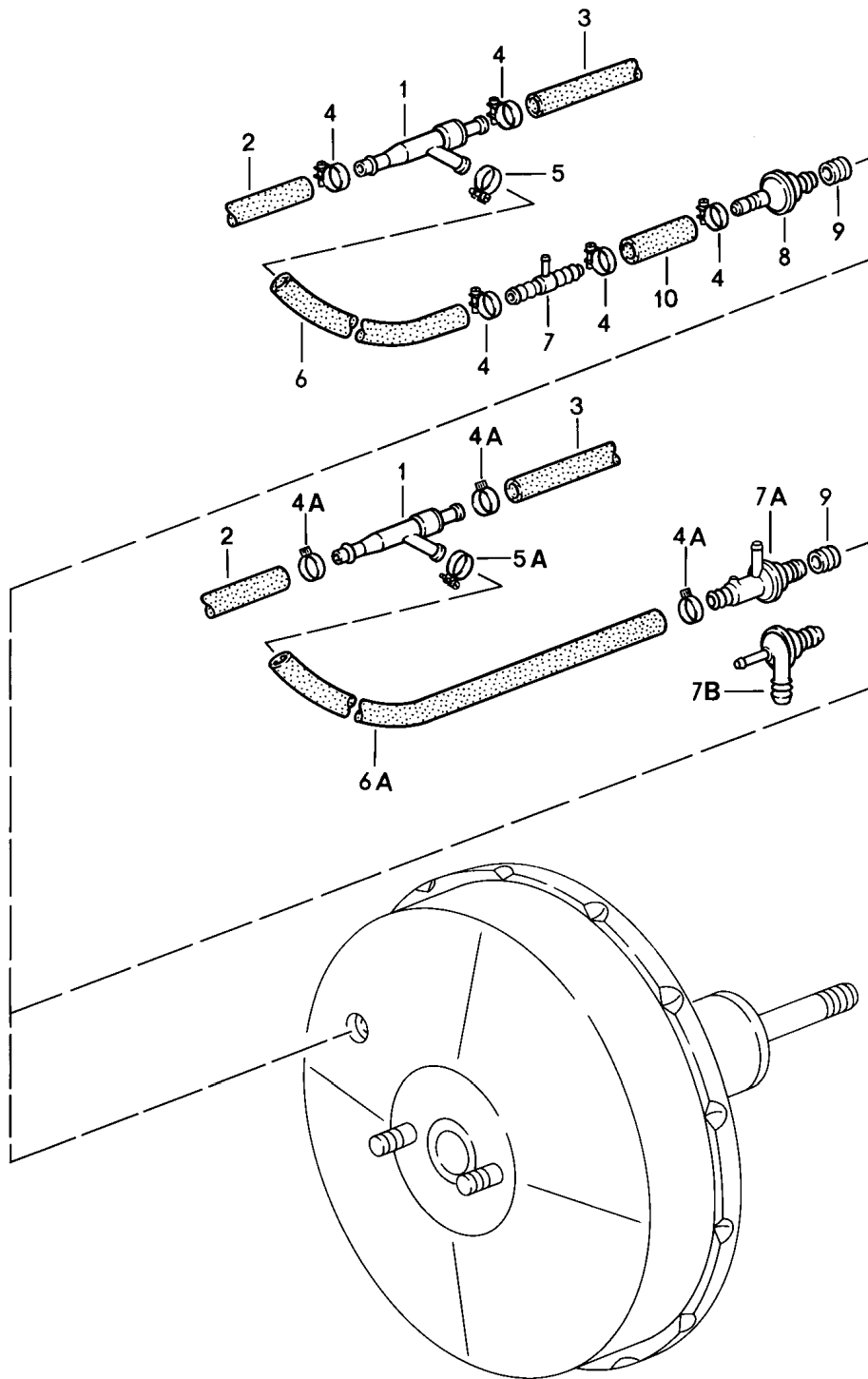


Model: 928 83 Model life 1983>>1986

Pos	Part Number	Description	Remark	Qty	Model
		Brake master cylinder Brake booster			
1	928 355 011 04	Brake master cylinder	-83	1	
1A	928 355 011 23	Brake master cylinder		1	
(1A)	928 355 011 24	F >>92GS8 60999 Brake master cylinder		1	
(2)	477 611 951	F 92GS8 61000>> Gasket		1	
3	928 355 023 09	Vacuum booster		1	
(3)		F >>92GS8 60999 Vacuum booster		1	
4	251 611 243	F 92GS8 61000>> Sealing ring		1	
6	911 355 921 00	Rubber seal		1	
6	955 355 921 00	Rubber seal		1	
7	477 611 115	Bellows		1	
8	999 084 425 02	Lock nut		2	
9	900 025 007 02	M 8 Washer		2	
9	900 025 007 03	A 8,4 Washer		2	
10	928 355 650 06	A 8,4 Container		1	
(10)		Complete Container		1	
-	928 355 654 03	Support for Container		1	
11	477 611 361	Lid		1	
12	211 611 381 B	Strainer		1	
13	901 355 908 00	Gasket		1	
14	113 945 515 G	Brake light switch		2	
16	900 910 022 09	Lock nut		4	
16	900 910 022 03	M 8 Lock nut		4	
17	900 025 007 02	M 8 Washer		4	
17	900 025 007 03	A 8,4 Washer		4	
18	928 355 509 01	A 8,4 Intermediate piece		1	
(18)	928 355 563 01	F >>92GS8 60999 Intermediate piece		1	
19	900 034 003 02	F 92GS8 61000>> Hexagon nut		1	
20	928 355 511 00	M 10 Bolt		1	
21	900 025 009 02	Washer		1	
22	N 012 653 1	A 13 Lock washer		1	
23	911 355 922 00	B 9 Sealing plug		2	
24	928 355 305 02	Regulator		1	
(24)	951 355 305 01	F >>92GS8 60999 Brake pressure regulator		1	
25	928 351 945 03	F 92GS8 61000>> Ventilation valve	84-	1	
26	901 351 927 10	Dust boot		1	

Model: 928 83

Model life 1983>>1986



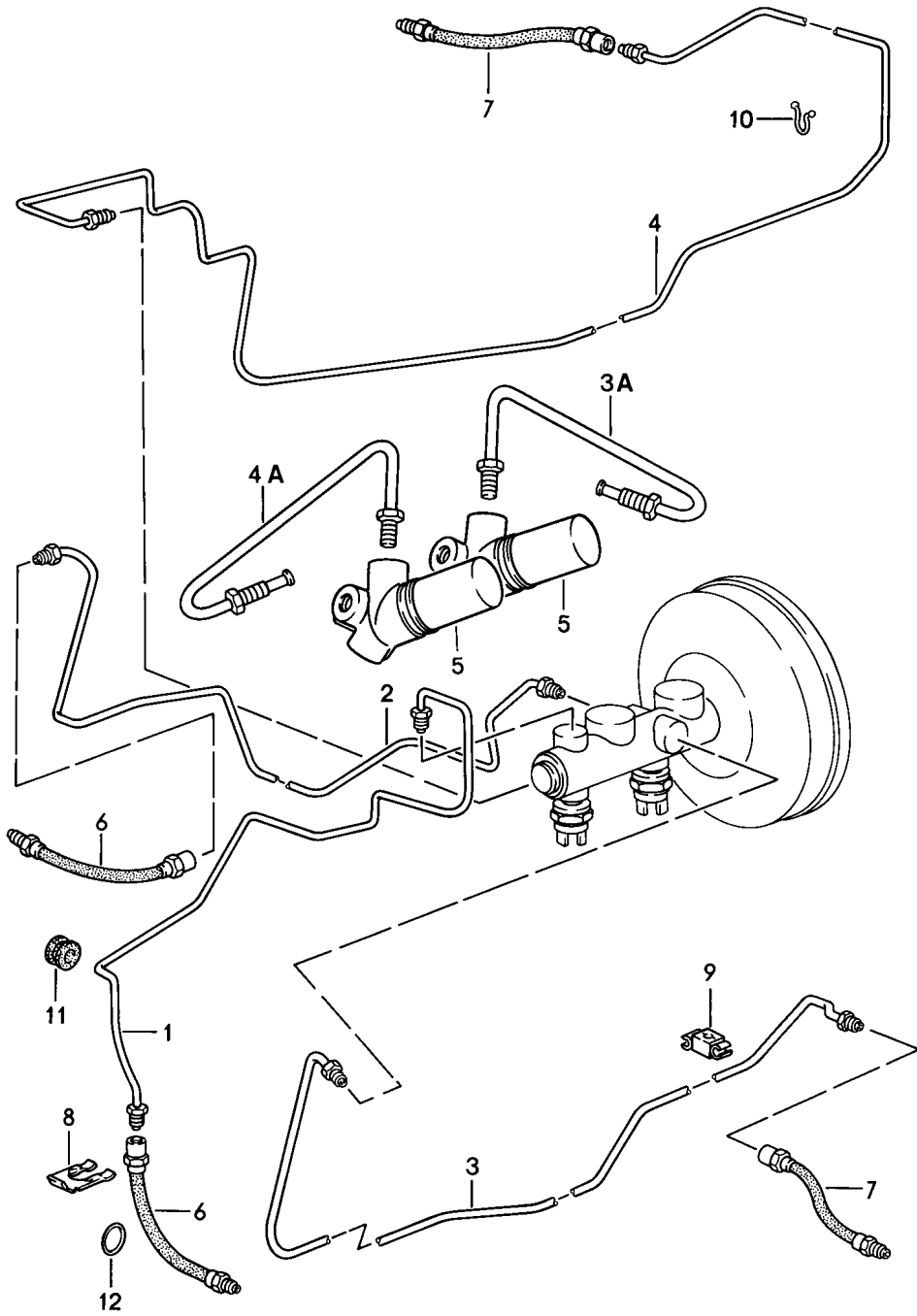
Model: 928 83

Model life 1983>>1986

Pos	Part Number	Description	Remark	Qty	Model
		Venturi tube			M28.19
		M >> 81D 0772			M28.20
		M >> 81D 5723			
1	035 133 753 A	Venturi tube		1	
1	035 133 753 B	Venturi tube		1	
-	928 355 515 00	Nozzle		1	
-	999 181 022 51	Hose		*	
2		50 MM		2	
3		560 MM		1	
4	999 512 346 00	Hose clamp		7	
5	999 512 045 02	Hose clamp		1	
6	928 355 663 00	Moulded hose	/LL	1	
7	321 611 813	T-piece		1	
8	431 611 933	Check valve	/LL	1	
9	911 355 921 00	Rubber seal		1	
9	955 355 921 00	Rubber seal		1	
-	999 181 022 51	Hose		*	
10		50 MM	/LL	1	
		Venturi tube			M28.19
		M 81D 0773 >>			M28.20
		M 81D 5724 >>			
1	035 133 753 A	Venturi tube		1	
1	035 133 753 B	Venturi tube		1	
-	999 181 022 51	Hose		*	
2		50 MM		1	
3		640 MM		1	
4A	999 512 457 00	Clamp		5	
5A	999 512 381 02	Clamp		1	
5A	999 512 456 00	Clamp		1	
6A	928 355 663 02	Hose elbow	/LL	1	
7A	928 355 660 03	Check valve	/LL	1	
9	911 355 921 00	Rubber seal		1	
9	955 355 921 00	Rubber seal		1	

Model: 928 83

Model life 1983>>1986

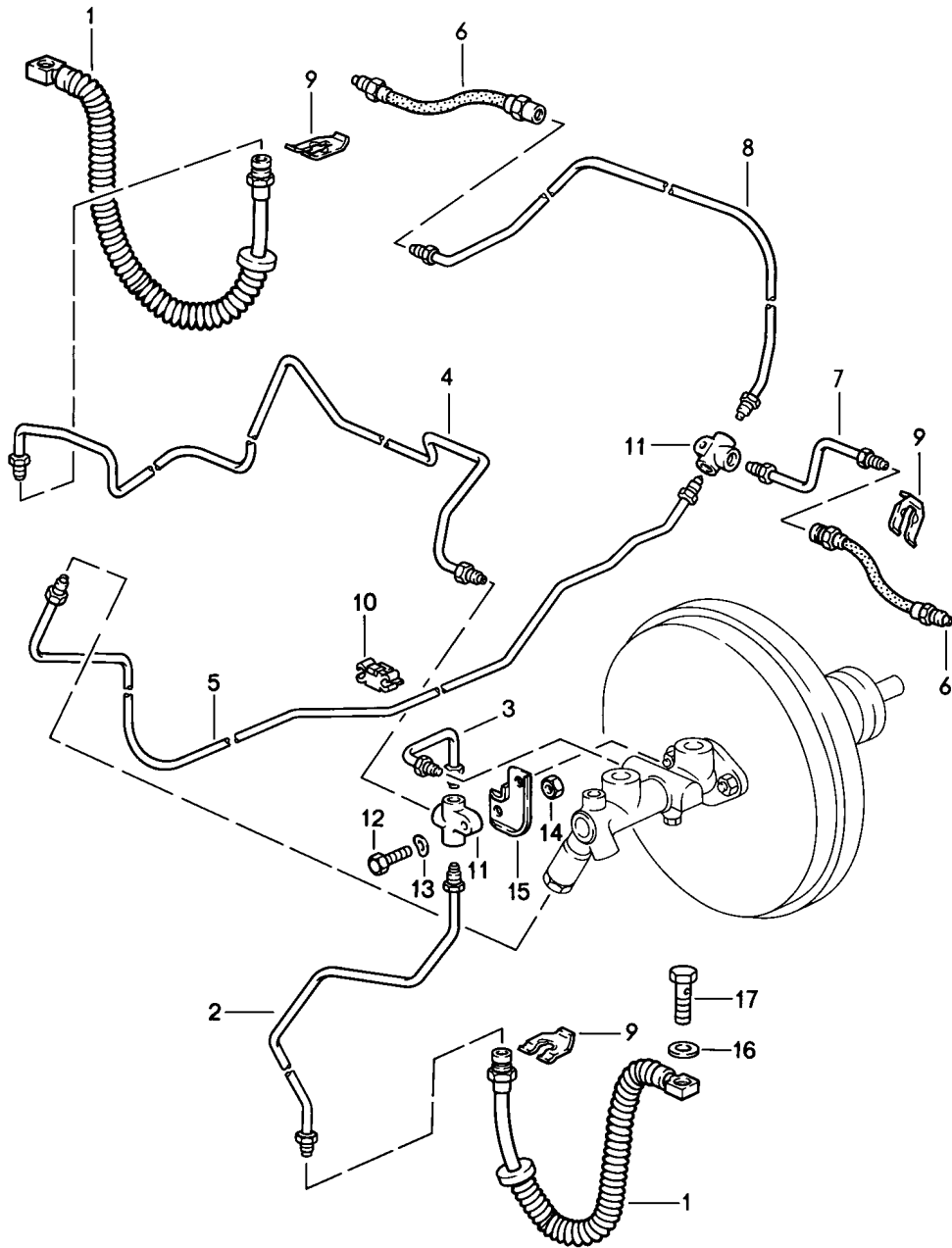


Model: 928 83 Model life 1983>>1986

Pos	Part Number	Description	Remark	Qty	Model
1	928 355 061 04	Brake lines Brake line Left Front F >>92DS8 61385	83 /LL	1	
(1)	928 355 061 05	Brake line Left Front F 92DS8 61386>>	/LL	1	
2	928 355 062 03	Brake line Right Front F >>92DS8 61385	/LL	1	
(2)	928 355 062 04	Brake line Right Front F 92DS8 61386>>	/LL	1	
3	927 355 073 01	Brake line Left Rear		1	
3A	928 355 093 01	Brake line Left Rear	/LL	1	
4	927 355 071 01	Brake line Right Rear		1	
4A	928 355 092 01	Brake line Right Rear	/LL	1	
(4A)	927 355 069 01	Brake line Right Rear	/RL	1	
5	928 355 083 02	Brake pressure regulator in pairs Exchange		2	
-	900 025 007 02	Washer 8,4		2	
-	900 025 007 03	Washer 8,4		2	
-	N 010 237 6	Hexagon-head bolt M 8 X 12		2	
-	N 010 237 14	Hexagon-head bolt M 8 X 12		2	
6	928 355 079 02	Brake hose F >>92DS8 61385	/V	2	
6	928 355 079 04	Brake hose F >>92DS8 61385	/V	2	
(6)	928 355 081 00	Brake hose F 92DS8 61386>>	/V	2	
(6)	928 355 081 03	Brake hose F 92DS8 61386>>	/V	2	
7	928 355 080 02	Brake hose	/H	2	
8	113 611 715 A	Brake hose bracket		4	
9	477 611 767 B	Cable clip		14	
10	999 651 161 40	Cable tie		11	
11	999 702 031 50	Rubber sleeve		2	
11	999 702 031 5A	Rubber sleeve		2	
12	999 701 481 40	Round seal		12	
12	999 701 442 40	Round seal		12	

Model: 928 83

Model life 1983>>1986

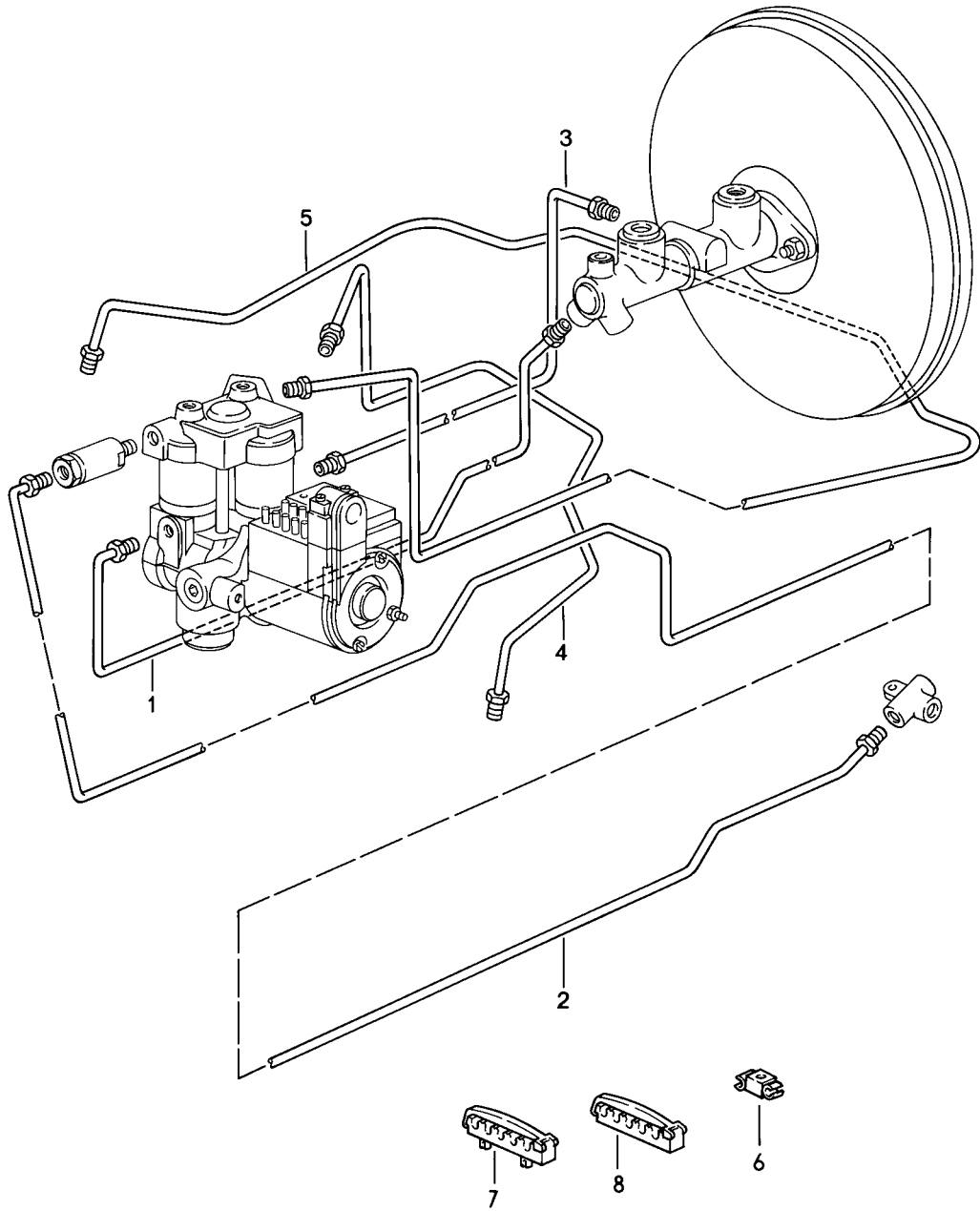


Model: 928 83 Model life 1983>>1986

Pos	Part Number	Description	Remark	Qty	Model
1	928 355 081 00	Brake lines Brake hose Front	84- -85	2	
1	928 355 081 03	Brake hose Front		2	
(1)	928 355 081 02	Brake hose Front	86	2	
2	928 355 053 01	Brake line Left Front	/LL	1	
3	928 355 049 00	Brake line	/LL	1	
4	928 355 051 02	Brake line Front	/LL	1	
5	928 355 055 00	Brake line Centre		1	
6	928 355 080 02	Brake hose Rear		2	
7	928 355 057 02	Brake line Left Rear		1	
(7)	928 355 057 04	F >>92GS8 60999 Brake line Rear		1	
8	928 355 059 01	F 92GS8 61000>> Brake line Right Rear		1	
(8)		F >>92GS8 60999 Brake line Right Rear		1	
9	113 611 715 A	Brake hose bracket		4	
10	477 611 767 B	Cable clip F >>92GS8 60999		13	
(10)	811 611 797	Clip F 92GS8 61000>>		15	
11	914 355 667 00	Distributor		4	
12	900 075 017 02	Hexagon-head bolt M 6 X 25		2	
12	900 075 017 03	Hexagon-head bolt M 6 X 25		2	
13	N 012 226 5	Spring washer B 6		2	
14	900 076 010 02	Nut M 6		2	
14	900 076 010 0B	Nut M 6		2	
15	928 355 651 00	Support	/LL	1	
16	N 013 806 2	Sealing ring A 10 X 14		2	
17	999 134 027 02	Banjo bolt M 10 X 1		2	
17	999 134 027 0B	Banjo bolt M 10 X 1		2	

Model: 928 83

Model life 1983>>1986



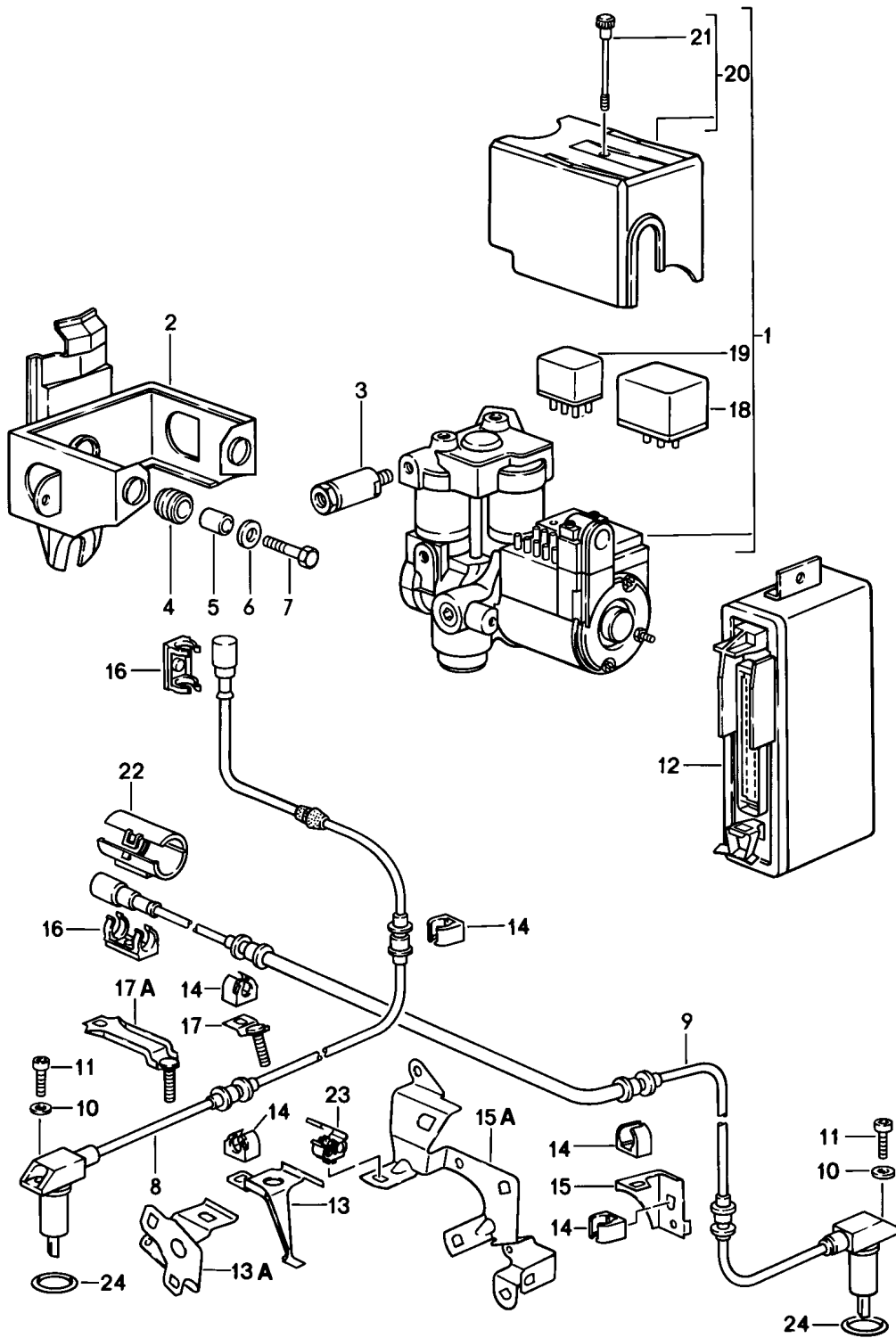
Model: 928 83

Model life 1983>>1986

Pos	Part Number	Description	Remark	Qty	Model
		Brake lines Anti-lock brake system	84-		
1	928 355 131 00	Brake line F 92GS8 60061>>		1	
2	928 355 137 00	Brake line F 92GS8 60061>>92GS8 60999		1	
(2)	928 355 137 02	Brake line F 92GS8 61000>>		1	
3	928 355 141 00	Brake line F 92GS8 60061>>		1	
4	928 355 147 01	Brake line F 92GS8 60061>>		1	
5	928 355 148 02	Brake line F 92GS8 60061>>		1	
(6)	477 611 767 B	Cable clip F >>92GS8 60999		17	
(6)	811 611 797	Clip F 92GS8 61000>>		17	
6	477 611 767 B	Cable clip F 92GS8 60061>>		17	
7	928 355 637 00	Support F 92GS8 60061>>		X	

Model: 928 83

Model life 1983>>1986



Model: 928 83 Model life 1983>>1986

Pos	Part Number	Description	Remark	Qty	Model
		Anti-lock brake system			
		Hydraulic unit	86		
		Speed sensor			
		Control unit			
1	928 355 755 DX	Hydraulic unit		1	
2	928 355 041 04	Support		1	M28.43/44
3	928 355 305 02	Regulator		1	
3		Regulator		1	
		F >>92GS8 60999			
(3)	951 355 305 01	Brake pressure regulator		1	
		F 92GS8 61000>>			
4	928 355 635 00	Rubber mounting		3	
5	928 355 633 00	Bush		3	
5	928 355 633 03	Bush		3	
6	N 011 666 7	Washer		3	
		B 6,4			
7	N 010 219 2	Hexagon-head bolt		3	
		M 6 X 28			
7	900 075 135 01	Hexagon-head bolt		3	
		M 6 X 28			
8	928 606 404 00	Speed sensor	/V	2	
		F >>92GS8 60999			
(8)	928 606 404 02	Speed sensor		2	
		F 92GS8 61000>>			
9	928 606 402 00	Speed sensor	/H	2	
		F >>92GS8 60999			
(9)	928 606 402 01	Speed sensor	/H	2	
		F 92GS8 61000>>			
10	928 341 393 00	Washer		4	
		F >>92GS8 60999			
11	N 014 744 1	Pan-head screw	/V	2	
		M 6 X 32			
		F >>92GS8 60999			
(11)	N 014 740 2	Pan-head screw	/V	1	
		M 6 X 16		2	
		F 92GS8 61000>>			
(11)	N 014 740 11	Pan-head screw	/V	1	
		M 6 X 16		2	
		F 92GS8 61000>>			
(11)	N 014 743 2	Pan-head screw	/H	2	
		M 6 X 30			
		F 92GS8 61000>>			
(11)	900 067 012 03	Pan-head screw	/H	2	
		M 6 X 30			
		F 92GS8 61000>>			
(12)	928 618 119 02	Control unit		1	
		F >>92GS8 60999			
(12)	928 618 118 00	Control unit		1	
		F 92GS8 61000>>			
(12)	928 618 118 X	Control unit		1	
		F 92GS8 61000>>			
13	928 341 107 04	Support	/L	1	
		F >>92GS8 60999			
(13)	928 341 108 04	Support	/R	1	
		F >>92GS8 60999			
13A	928 341 239 00	Support	/L	1	
		F 92GS8 61000>>			
(13A)	928 341 240 00	Support	/R	1	
		F 92GS8 61000>>			
14	999 651 202 40	Clip		5	
		F >>92GS8 60999			
(14)	928 612 409 00	Clip		X	
		F 92GS8 61000>>			

Model: 928 83

Model life 1983>>1986

Pos	Part Number	Description	Remark	Qty	Model
15	928 331 225 03	Support F >>92GS8 60999	/L	1	
(15)	928 331 226 03	Support F >>92GS8 60999	/R	1	
15A	928 331 239 00	Support F 92GS8 61000>>	/L	1	
(15A)	928 331 240 00	Support F 92GS8 61000>>	/R	1	
16	999 651 203 40	Cable holder F >>92GS8 60999		2	
17	928 331 099 00	Support F >>92GS8 60999		2	
(17A)	928 331 099 01	Support F 92GS8 61000>>		2	
18	928 618 930 00	Relay		1	
19	928 618 931 00	Relay		1	
20	928 355 960 00	Cap		1	
21	928 355 961 00	Knurled screw		1	
22	928 612 531 01	Push-on connector F 92GS8 61000>>	/L	1	
(22)	928 612 531 00	Push-on connector F 92GS8 61000>>	/R	1	
(23)	928 612 529 01	Cable clip F 92GS8 61000>>		4	
24	900 174 032 40	O-ring F 92GS8 61000>>		4	

Model: 928 83

Model life 1983>>1986



Model: 928 83 Model life 1983>>1986

Pos	Part Number	Description	Remark	Qty	Model
>>	928 351 931 01	Repair kits Use also: Mounting parts for Brake pad Brake pad repair set (JURID 226/238) Comprising: Brake pad Inner Brake pad Outer	/V	1	
>>		F >>92GS8 60999 Brake pad repair set without asbestos (TEXTAR T 400) Comprising: Brake pad Inner Brake pad Outer	/V 86	2	
>>	928 351 939 01	F >>92GS8 60999 Brake pad repair set (JURID 238) Comprising: Brake pad	/V 86	2	
>>	993 351 939 01	F 92GS8 61000>> Brake pad repair set without asbestos (TEXTAR T 428 FFF) Comprising: Brake pad	/V 86	4	
>>	928 351 943 00	F 92GS8 61000>> Gasket set Comprising: Protection cap Gasket	/V 86	1	
>>	928 351 919 00	F >>92GS8 60999 Repair kit Comprising: Piston Boot Inner Boot Outer 42 MM	/V 86	1	
>>	951 351 919 01	F 92GS8 61000>> Gasket set Comprising: Piston Boot Inner Boot Outer 36 MM	/V 86	1	
>>	993 351 959 00	F 92GS8 61000>> Repair kit Comprising: Spring plate Screw Lower	/V 86	1	
>>	993 351 959 01	F 92GS8 61000>> Repair kit	/V 86	2	

Model: 928 83

Model life 1983>>1986

Pos	Part Number	Description	Remark	Qty	Model
		Comprising: Spring plate		1	
		Screw		2	
		Upper			
		F 92GS8 61000>>			
-	928 351 949 00	Set of damping sleeves	/V	2	
		1 set for Floating calliper			
		F >>92GS8 60999			
		Deleted			
		Slide			
-	928 352 951 02	Brake pad repair set (JURID 226/238)	/H 86	1	
		Comprising: Brake pad		4	
		with Mounting Warning contact			
		F >>92GS8 60999			
>>	928 352 953 00	Set of fastening parts	/H 86	1	
		Comprising:			
-	928 352 823 00	Cable guide plate		2	
-	928 352 935 00	Expanding spring		2	
-	928 352 953 00	Set of fastening parts		4	
-	901 351 955 10	Safety clip		4	
		F >>92GS8 60999			
>>	951 351 939 01	Brake pad repair set (JURID 238)	/H 86	1	
		Comprising: Brake pad		4	
		F 92GS8 61000>>			
>>	965 352 939 04	Brake pad repair set without asbestos (TEXTAR T 428FF)	/H 86	X	
		Comprising: Brake pad		4	
		F >>92GS8 61000			
>>	951 352 919 00	Gasket set	/H 86	2	
		Comprising: Piston		1	
		Boot		1	
		Inner			
		Boot		1	
		Outer			
		30 MM			
		F 92GS8 61000>>			
>>	951 352 919 01	Repair kit	/H 86	2	
		Comprising: Piston		1	
		Boot		1	
		Inner			
		Boot		1	
		Outer			
		28 MM			
		F 92GS8 61000>>			
>>	993 352 959 00	Repair kit	/H 86	2	
		Comprising: Spring plate		1	
		Upper			
		Screw		2	
		F 92GS8 61000>>			
>>	993 352 959 01	Repair kit	/H 86	2	

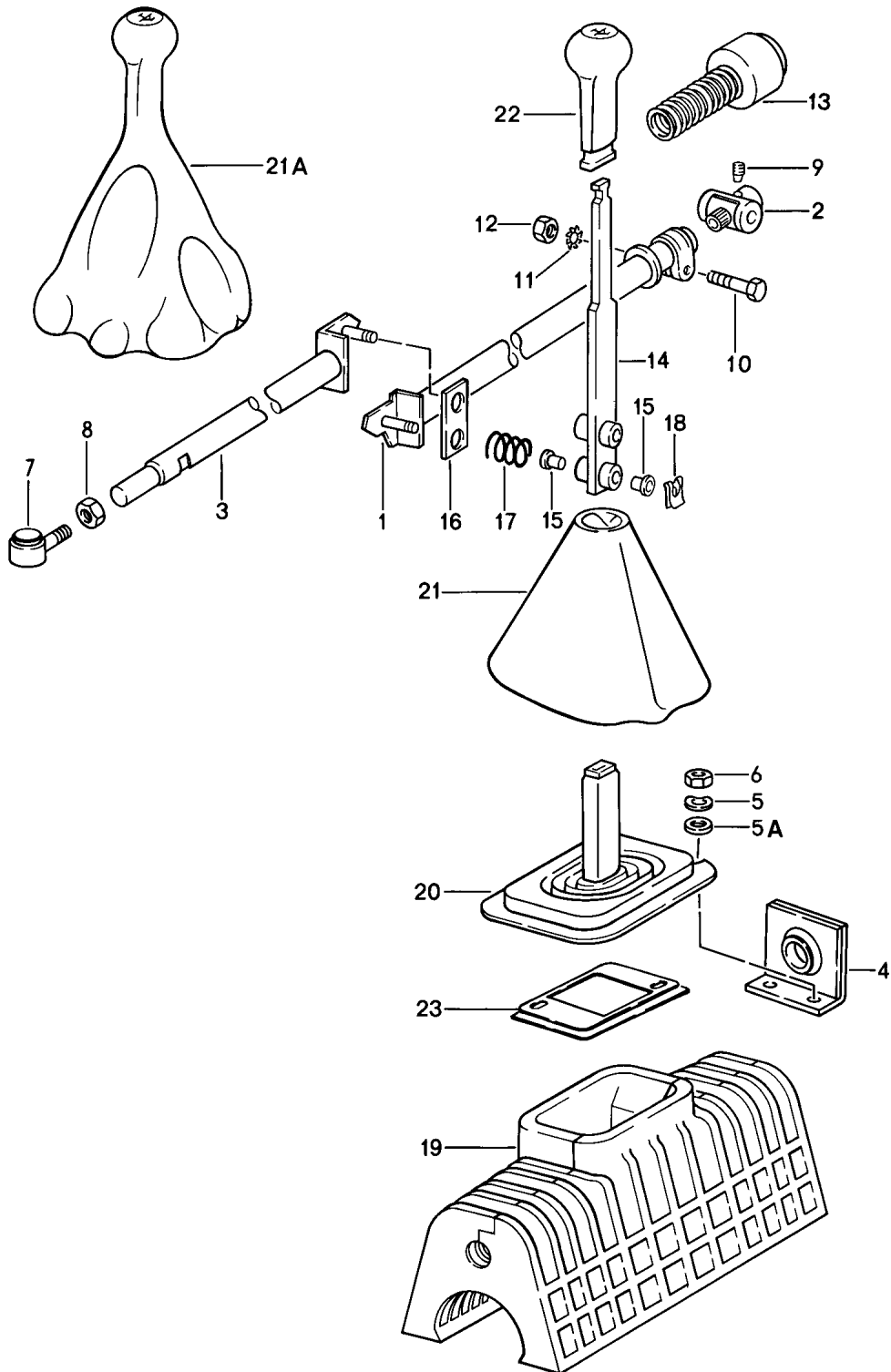
Model: 928 83

Model life 1983>>1986

Pos	Part Number	Description	Remark	Qty	Model
		Comprising: Spring plate Lower Screw F 92GS8 61000>>		1 2	

Model: 928 83

Model life 1983>>1986

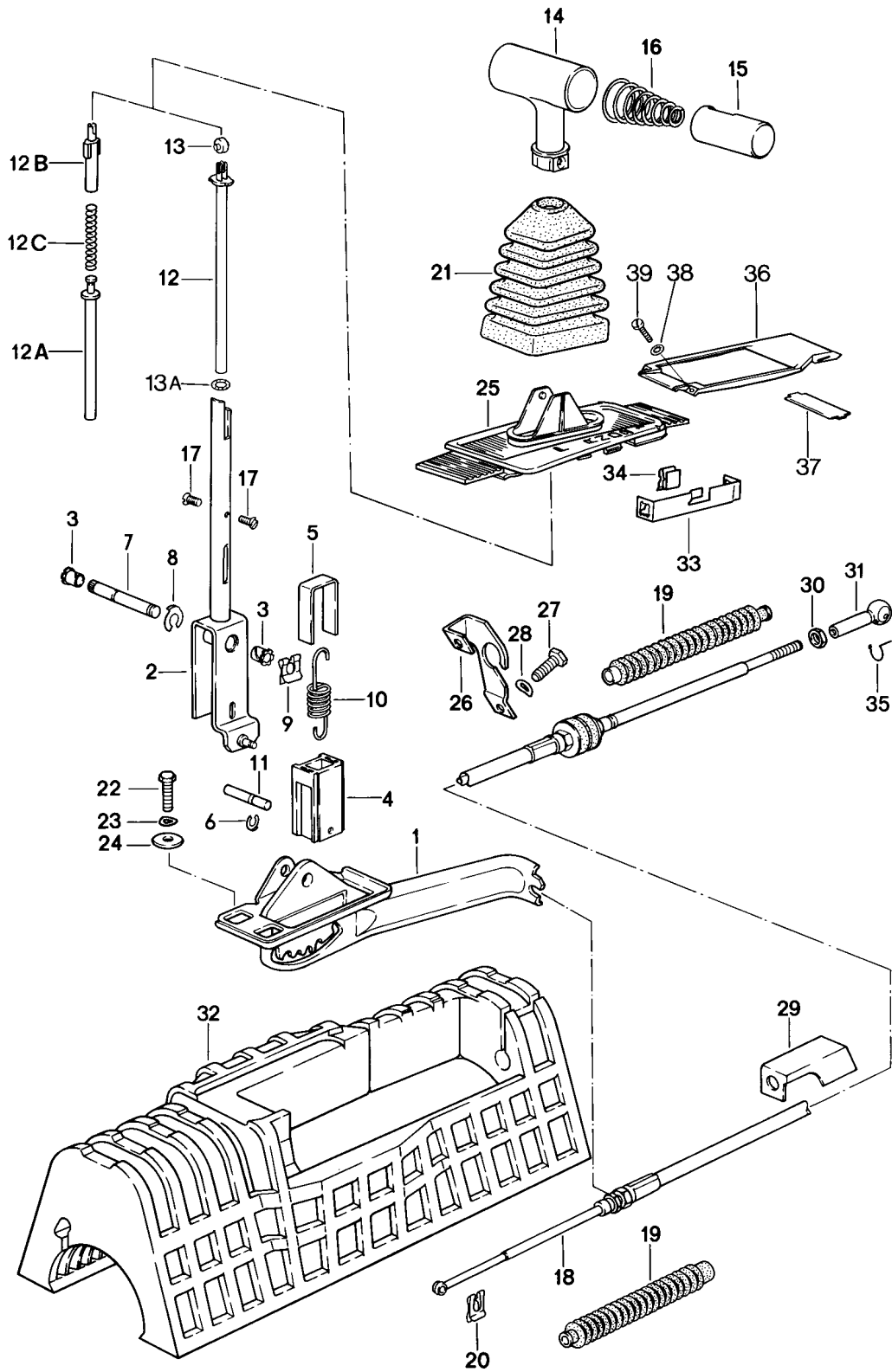


Model: 928 83 Model life 1983>>1986

Pos	Part Number	Description	Remark	Qty	Model
		Shift mechanism			
		Manual transmission			
1	928 424 028 18	Gear shift rod	-84	1	
(1)	928 424 028 19	Gear shift rod	85-	1	
2	928 424 029 00	Bearing body		1	
3	928 424 009 08	Guide tube	-84	1	
(3)	928 424 009 10	Guide tube	85-	1	
4	928 424 017 05	Bearing bracket		1	
5A	999 523 104 02	Lock washer	85-	2	
		6 PN			
5	N 011 524 7	Washer	-84	2	
		B 6,4			
5	N 011 524 27	Washer		2	
		B 6,4			
6	900 076 010 02	Nut		2	
		M 6			
6	900 076 010 0B	Nut		2	
		M 6			
7	928 424 005 01	Angular joint		1	
8	900 034 003 02	Hexagon nut		1	
		M 10			
9	928 424 229 00	Conical screw		1	
10	N 040 222 2	Hexagon-head bolt		1	
		M 8 X 32			
11	999 523 102 02	Washer		1	
11	999 523 102 0B	Washer		1	
12	900 076 025 02	Hexagon nut		1	
		M 8			
12	900 076 064 02	Hexagon nut		1	
		M 8			
13	928 424 209 00	Bellows	-84	1	
(13)	928 424 209 01	Bellows	85-	1	
14	928 424 067 08	Gearshift lever	/LL -84	1	
(14)	928 424 067 11	Gearshift lever	/LL 85-	1	
15	999 924 002 40	Bush		4	
16	928 424 149 01	Friction strap	-84	1	
(16)	928 424 149 02	Friction strap	85-	1	
17	928 424 147 03	Compression spring		2	
18	999 166 034 02	Sl-lock	-84	2	
		B 8			
(18)	900 234 510 02	Support washer	85-	2	
		S 10 X 16			
19	928 424 182 03	Sound absorber		1	
20	928 424 181 03	Sleeve	-84	1	
(20)	928 424 181 04	Sleeve	85-	1	
-	477 711 257	Rubber ring		1	
21A	928 424 073 01	Gearshift knob	-84	1	
		with			
		Leather bellows			
	928 424 073 01 1AJ	Black			
	928 424 073 01 4RB	Brown			
	928 424 073 01 7LD	Burgundy			
	928 424 073 01 30B	Blue			
(21A)	928 424 073 03	Gearshift knob	85-	1	
		with			
		Leather bellows			
	928 424 073 03 1AJ	Black			
	928 424 073 03 4RB	Brown			
	928 424 073 03 7LD	Burgundy			
	928 424 073 03 30B	Blue			
	928 424 073 03 6JD	Dark green			
	928 424 073 03 5JX	Greyish green			
23	928 552 017 00	Frame		1	

Model: 928 83

Model life 1983>>1986



Model: 928 83 Model life 1983>>1986

Pos	Part Number	Description	Remark	Qty	Model
		Shift mechanism for cars with Automatic transmission			
1	922 424 031 02	Support	-84	1	
(1)	928 426 031 00	Support	85-	1	
2	922 424 061 01	Selector lever	-84	1	
(2)	928 426 261 01	Selector lever	85-	1	
3	999 924 001 40	Bearing sleeve		2	
4	922 424 172 00	Locking piece		1	
5	922 424 171 00	Clip	-84	1	
(5)	922 424 171 01	Clip	85-	1	
6	999 166 040 02	K1-lock		1	
7	922 424 166 03	Bearing pin	-84	1	
(7)	928 426 166 00	Bearing pin	85-	1	
9	999 166 005 02	S1-lock		1	
10	922 424 168 01	Tension spring	-84	1	
(10)	928 426 168 01	Tension spring	85-	1	
11	922 424 167 01	Straight pin		1	
12	922 424 170 03	Push rod	-84	1	
12A	928 426 293 01	Push rod	85-	1	
12B	928 426 271 01	Guide	85-	1	
12C	999 521 037 01	Compression spring	85-	1	
13	321 713 137	Roller		1	
13A	999 701 608 40	Round seal 5 X 2 B		2	
14	928 426 077 00	Selector knob	-84	1	
	928 426 077 00 1AJ	Black			
(14)	928 426 075 01	Selector knob	/LL 85-	1	
	928 426 075 01 1AJ	Black			
	928 426 075 01 30B	Blue			
	928 426 075 01 4RB	Brown			
	928 426 075 01 7LD	Burgundy			
	928 426 075 01 6JD	Dark green			
	928 426 075 01 5JX	Greyish green			
15	928 426 174 01	Key	-84	1	
(15)	928 426 275 01	Key	85-	1	
16	922 424 176 03	Compression spring		1	
-	922 424 201 00	Concave washer	-84	1	
-	922 424 203 00	Concave washer	-84	1	
17	N 033 165 1	Countersunk-head screw M 4 X 8	-84	2	
(17)	N 014 121 6	Oval-head screw M 4 X 6	85-	2	
18	928 426 033 03	Cable 4-speed		1	
18	928 426 033 06	Cable 4-speed		1	
19	922 424 103 00	Bellows		2	
20	N 012 644 1	Lock		1	
21	928 426 139 00	Bellows		1	
22	900 075 057 02	Hexagon-head bolt M 6 X 16		3	
22	900 075 057 03	Hexagon-head bolt M 6 X 16		3	
23	N 011 524 11	Washer A 6,4 4-speed	-84	3	
24	N 011 550 1	Washer B 6,5		3	
(25)	928 552 091 20	Frame 4-speed		1	
(26)	928 426 111 02	Retaining bracket 4-speed		1	

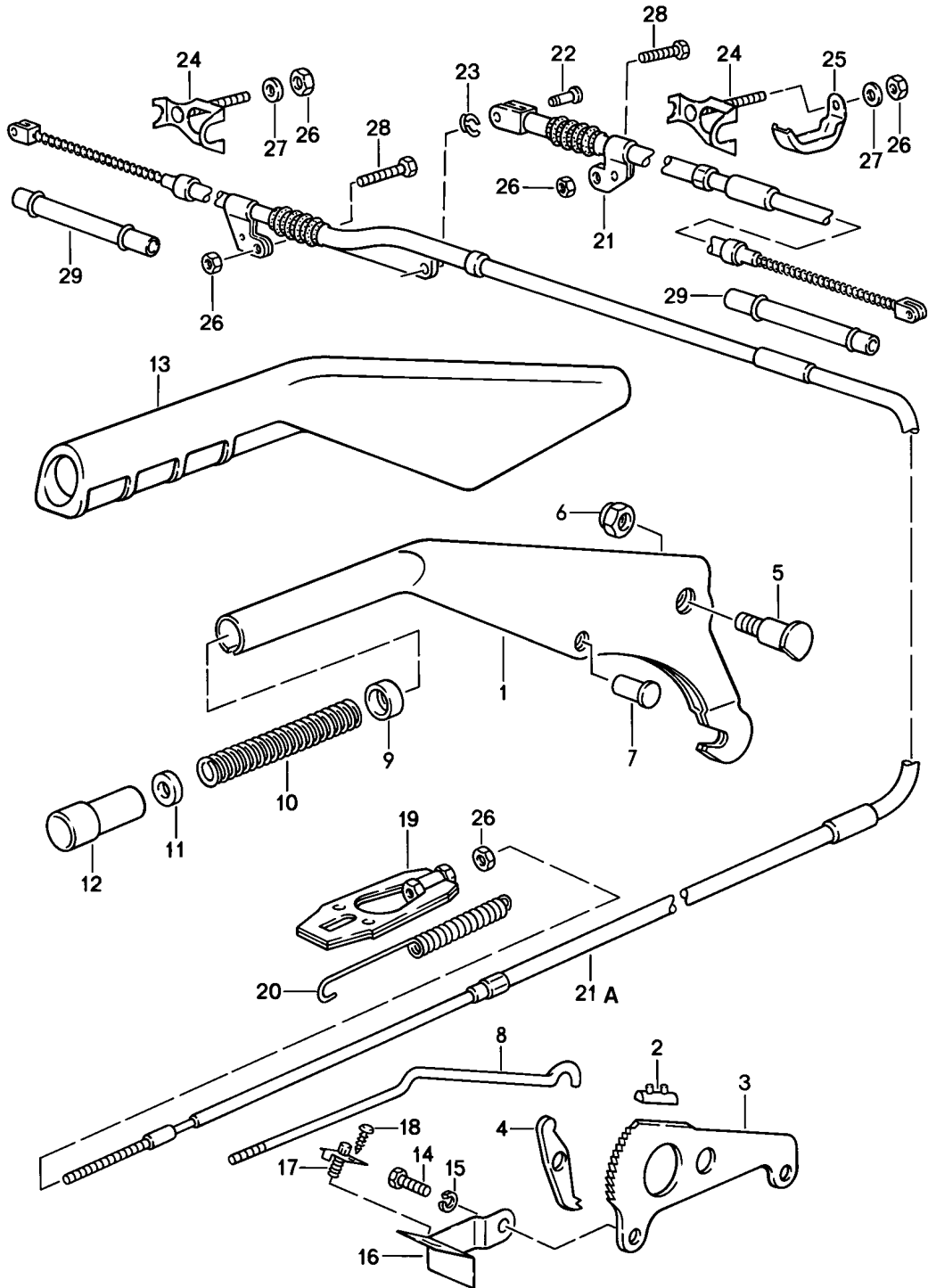
Model: 928 83

Model life 1983>>1986

Pos	Part Number	Description	Remark	Qty	Model
27	N 010 240 7	Hexagon-head bolt M 8 X 20 4-speed	-84	2	
(27)	N 010 237 6	Hexagon-head bolt M 8 X 12	85-	2	
(27)	N 010 237 14	Hexagon-head bolt M 8 X 12	85-	2	
30	N 011 005 14	Hexagon nut M 5		1	
30	900 076 091 01	Hexagon nut M 5		1	
31	911 423 147 00	Ball socket		1	
32	922 424 182 00	Sound absorber		1	
33	922 424 191 00	Bracket	-84	1	
34	999 591 462 02	Clamp	-84	2	
35	900 169 014 02	Securing clip		1	
35	900 169 014 01	Securing clip		1	
36	928 552 181 02	Mounting		1	
37	928 552 317 02	Separator for mounting		1	
38	900 114 015 01	Shake-proof washer A 3,7		2	
39	900 146 032 02	Oval-head screw AM 3,5 X 10		2	

Model: 928 83

Model life 1983>>1986

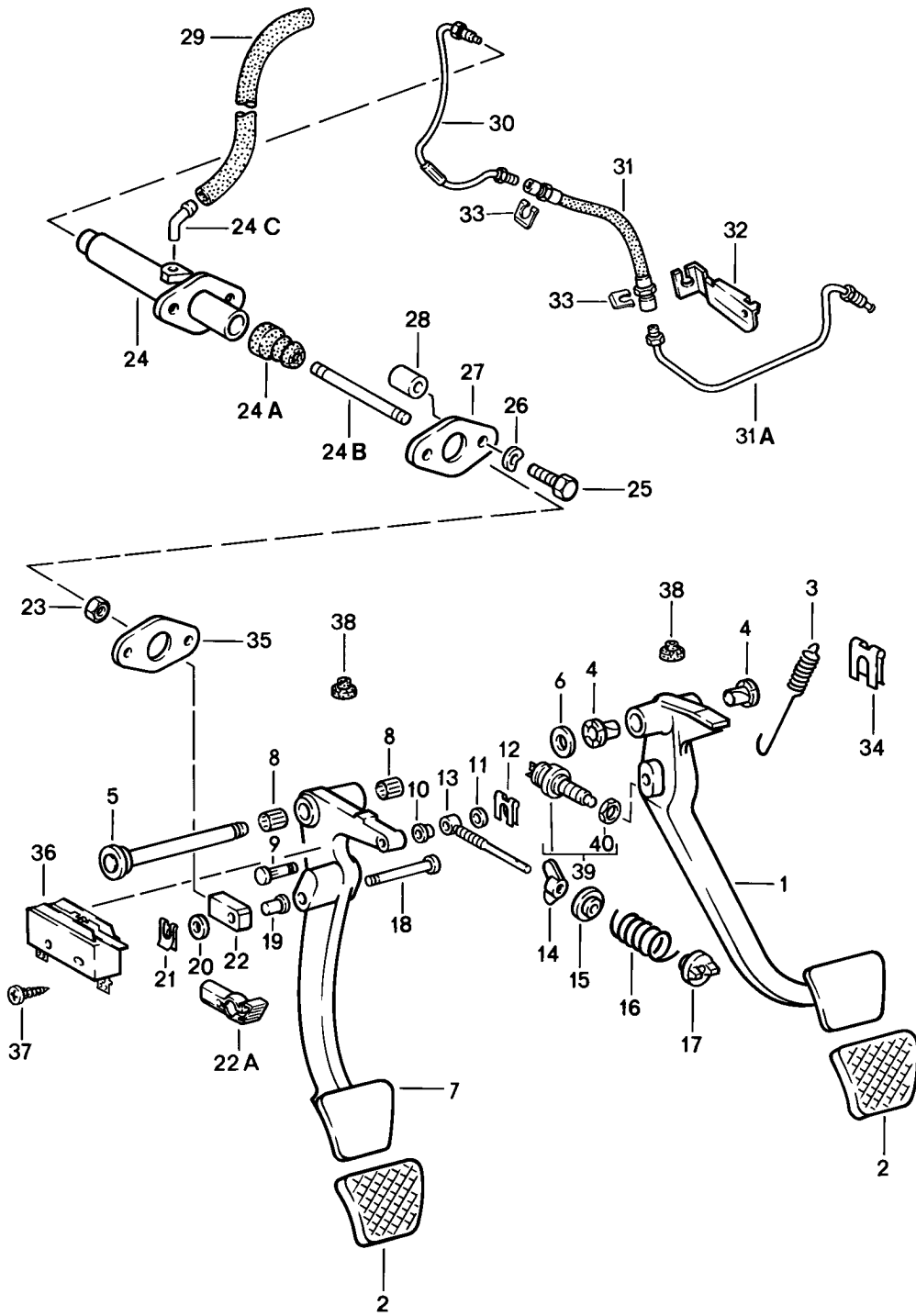


Model: 928 83 Model life 1983>>1986

Pos	Part Number	Description	Remark	Qty	Model
		Actuator Handbrake			
1	928 424 253 13	Parking-brake lever		1	
2	901 424 509 01	Stop		1	
3	928 424 541 14	Locking segment		1	
4	928 424 508 00	Pawl		1	
5	928 424 527 00	Bearing pin		1	
6	900 084 004 03	Hexagon nut		1	
6	900 084 004 02	Hexagon nut		1	
7	900 120 040 02	Rivet		1	
8	928 424 255 12	Push rod		1	
9	914 424 258 00	Guide sleeve		1	
10	901 424 543 00	Compression spring		1	
11	901 424 593 01	Ring		1	
12	928 424 523 12	Push button		1	
13	928 424 259 00	Cover for Parking-brake lever		1	
14	N 010 239 11	Hexagon-head bolt M 8 X 18		2	
14	N 010 239 30	Hexagon-head bolt M 8 X 18		2	
15	900 027 015 02	Lock ring B 8		2	
15	900 027 015 03	Lock ring B 8		2	
16	928 424 535 00	Support	/LL	1	
17	968 613 601 00	Contact switch		1	
18	N 013 957 5	Oval-head sheetmetal screw B 3,5 X 9,5		1	
19	928 424 033 00	Turnbuckle		1	
20	477 711 975	Return spring		1	
21	928 424 551 16	Parking-brake cable	/L	1	
21	928 424 551 17	Parking-brake cable	/L	1	
21A	928 424 552 16	Parking-brake cable	/R	1	
21A	928 424 552 17	Parking-brake cable	/R	1	
22	999 166 048 02	Bolt A 6 X 17 X 14		1	
23	N 012 645 2	Lock washer		1	
24	928 424 045 00	Support		1	
25	928 424 423 01	Support		1	
26	900 910 010 09	Lock nut		5	
27	N 011 524 7	Washer A 6,4		2	
27	N 011 524 27	Washer A 6,4		2	
28	900 074 111 02	Hexagon-head bolt M 6 X 50		2	
(28)	900 075 343 02	Hexagon-head bolt M 6 X 45		2	M249
29	928 424 405 01	Guide tube		2	

Model: 928 83

Model life 1983>>1986



Model: 928 83 Model life 1983>>1986

Pos	Part Number	Description	Remark	Qty	Model
		Pedals			
1	928 423 501 05	Brake pedal	/LL	1	
(1)	928 423 515 01	Brake pedal	/LL	1	M249
2	928 423 210 03	Rubber pad		2	
(2)	928 423 211 00	Pedal cap		1	M249
3	928 423 531 03	Return spring		1	
4	928 423 542 00	Bearing sleeve		2	
5	928 423 037 02	Bearing shaft		1	
-	928 423 523 00	Spacer sleeve		1	M249
7	928 423 311 06	Clutch pedal	/LL	1	
8	900 317 001 00	Needle-roller bearing		2	
9	928 423 355 00	Bolt		1	
10	999 924 001 40	Bearing sleeve		1	
11	900 089 006 02	Washer A 8,4		1	
11	900 089 006 01	Washer A 8,4		1	
12	N 900 470 01	Lock washer		1	
13	928 423 349 01	Guiding rod		1	
14	999 044 001 02	Winged nut M 8		1	
15	928 423 353 00	Concave washer		1	
16	928 423 357 04	Clutch power spring		1	
17	928 423 351 00	Knife-edge bearing		1	
18	928 423 513 00	Bolt	/LL	1	
19	999 924 002 40	Bush	/LL	1	
20	900 025 008 09	Washer A 10,5	/LL	1	
20	900 025 008 04	Washer A 10,5	/LL	1	
21	999 166 034 02	Sl-lock	/LL	1	
22	928 423 517 00	Clevis	/LL	1	
23	900 076 025 02	Hexagon nut M 8		1	
23	900 076 064 02	Hexagon nut M 8		1	
24	928 423 173 06	Clutch master cylinder	/LL	1	
24A	928 423 908 00	Bellows		1	
24B	928 423 187 00	Piston rod	/LL	1	
24C	477 721 177	Angled pipe		1	
25	N 010 340 4	Hexagon-head bolt M 8 X 40		2	
26	N 012 241 8	Spring washer B 8		2	
27	928 423 521 00	Cover plate		1	
28	928 423 519 00	Spacer tube		2	
-	999 181 021 50	Hose		*	
29		375 MM		1	
30	928 423 197 01	Clutch tube	/LL	1	
31	928 423 177 03	Clutch hose	/LL	1	
31A	928 423 199 02	Clutch tube	/LL	1	
32	928 423 189 01	Bump stop	/LL	1	
-	N 011 010 6	Hexagon nut M 10		1	
-	N 101 552 10	Hexagon nut M 10		1	
33	928 423 183 01	Hose holder	/LL	2	
34	N 012 654 1	Lock washer		1	
35	928 423 191 00	Gasket		1	
36	928 613 413 01	Microswitch		1	
38	999 703 183 40	Buffer		2	
39	477 945 515	Brake light switch	84-	1	
40	481 945 529	Nut	84-	1	

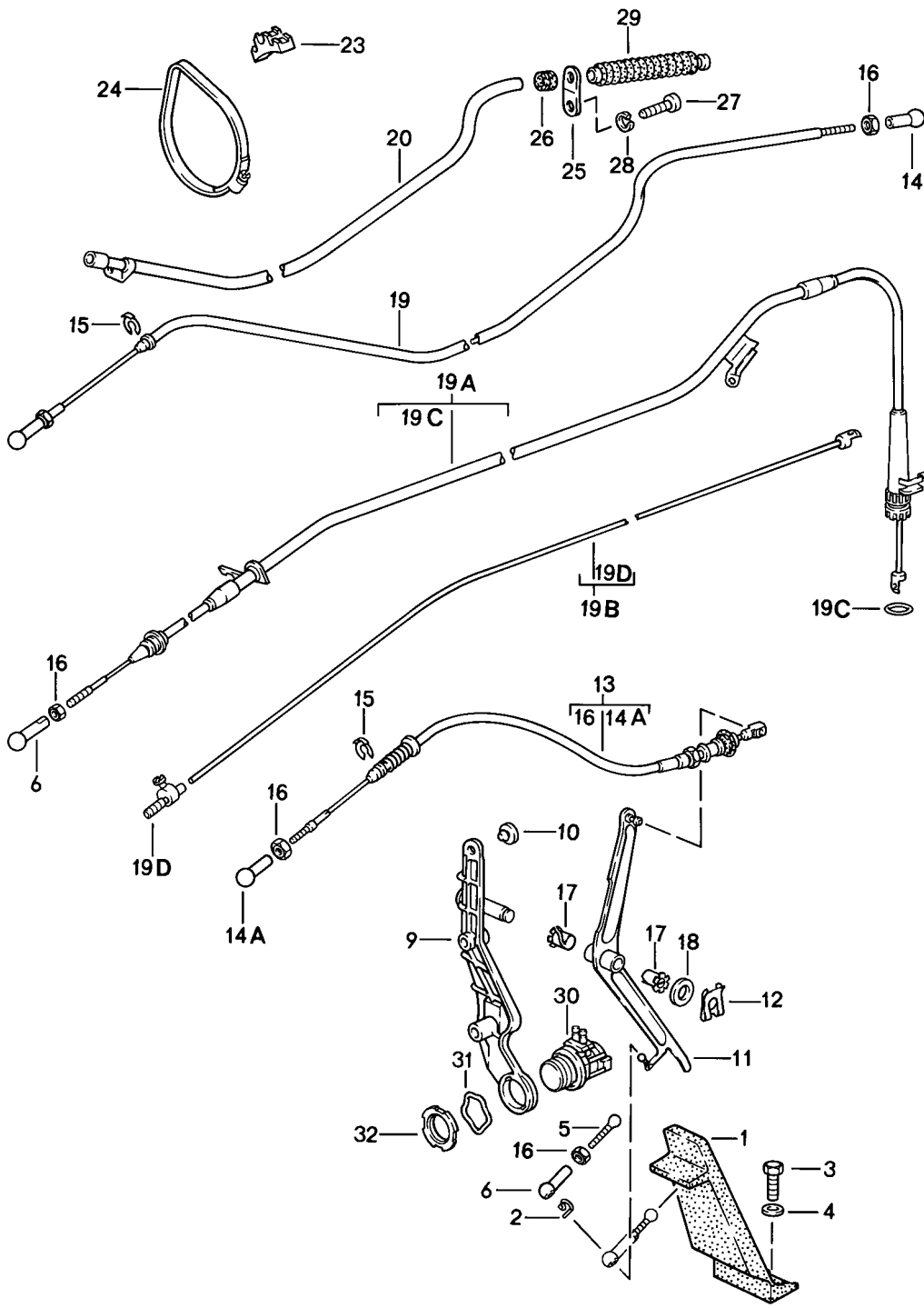
Model: 928 83

Model life 1983>>1986

Pos	Part Number	Description	Remark	Qty	Model
		M 12 X 1 Vertical pedal adjustment Brake pedal Clutch pedal 15 MM			
-	928 423 207 00	Pedal spacer plate		2	
-	928 423 213 00	Pedal spacer plate		1	M249
-	900 067 057 02	Pan-head screw M 8 X 20		2	
-	900 067 057 03	Pan-head screw M 8 X 20		2	
-	N 042 131 1	Shake-proof washer See technical information GR. X NR. 15 Vertical pedal adjustment Brake pedal Clutch pedal 30 MM		2	
-	928 423 207 00	Pedal spacer plate		4	
-	928 423 213 00	Pedal spacer plate		2	M249
-	900 067 081 02	Pan-head screw M 8 X 35		2	
-	900 067 102 02	Pan-head screw M 8 X 35		2	
-	N 042 131 1	Shake-proof washer See technical information GR. X NR. 15		2	

Model: 928 83

Model life 1983>>1986



Model: 928 83 Model life 1983>>1986

Pos	Part Number	Description	Remark	Qty	Model
		Accelerator control Left-hand drive			
1	911 423 111 02	Accelerator pedal		1	
1	911 423 111 03	Accelerator pedal		1	
2	900 169 014 02	Securing clip		1	
2	900 169 014 01	Securing clip		1	
3	999 072 005 09	Hexagon nut M 6 X 12		2	
3	999 072 005 01	Hexagon nut M 6 X 12		2	
4	N 011 666 7	Washer B 6,4		2	
5	928 423 119 00	Push rod		1	
6	911 423 147 00	Ball socket		1	
9	928 423 021 03	Bearing bracket	86	1	
-	900 076 010 02	Nut M 6		2	
-	900 076 010 0B	Nut M 6		2	
-	N 012 226 5	Spring washer B 6		2	
10	999 703 183 40	Buffer		1	
11	928 423 250 05	Reverse lever		1	
12	999 166 034 02	Sl-lock		1	
13	928 423 023 06	Accelerator cable	83	1	
13		Accelerator cable		1	
(13)	928 423 023 04	Accelerator cable	85-	1	M28.43/44
14	N 015 521 3	Ball socket		2	M249
14A	911 423 147 00	Ball socket	-84	1	
(14A)	N 015 525 1	Ball socket	85-	1	
15	999 166 046 02	Lock		2	
16	N 011 005 14	Hexagon nut BM 5		3	
16	900 076 091 01	Hexagon nut BM 5		3	
17	999 924 002 40	Bush		2	
18	900 025 008 09	Washer A 10,5		1	
18	900 025 008 04	Washer A 10,5		1	
19A	928 423 041 01	Cable Control pressure 4-speed		1	M249 M28.20/22
19B	928 423 901 00	Cable Control pressure 4-speed		1	M249 M28.20/22
(19A)	928 423 041 02	Cable Control pressure 4-speed		1	M249 M28.44/46
(19A)	928 423 901 01	Cable Control pressure 4-speed		1	M249 M28.44/46
19C	999 701 664 40	Sealing ring		1	
19D	477 723 601	Nipple		1	
23	928 423 141 00	Support		2	M249
24	999 512 355 02	Hose clamp		2	M249
24	999 512 355 01	Hose clamp		2	M249
25	928 423 143 00	Support		1	M249
27	N 010 210 13	Hexagon-head bolt M 6 X 10		1	
28	N 011 524 7	Washer A 6,4		1	

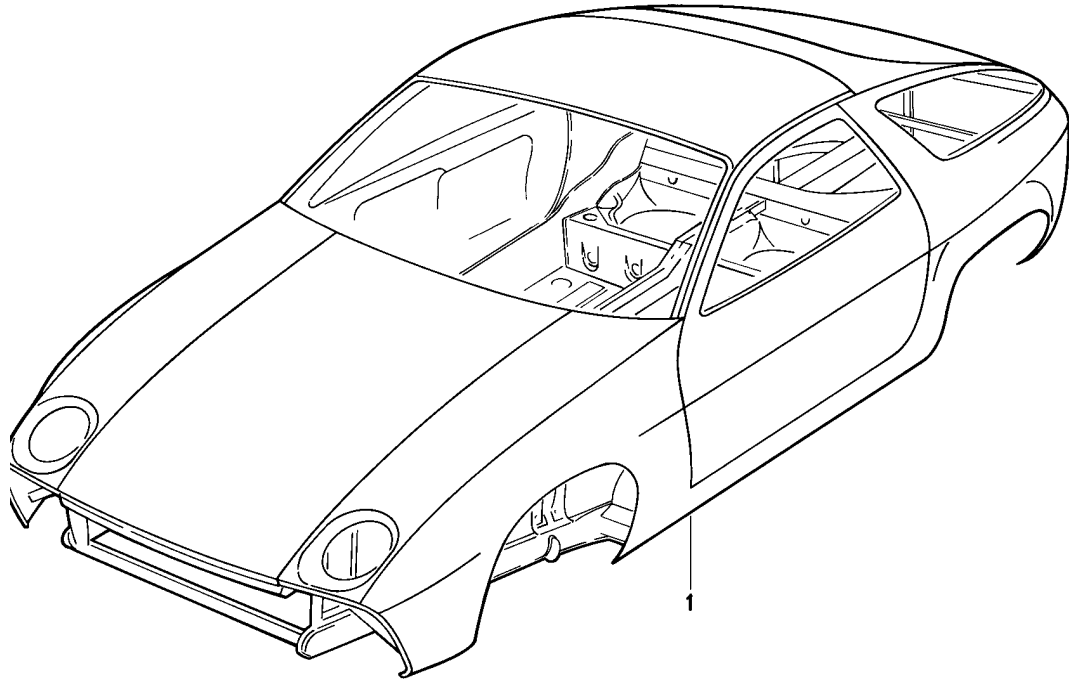
Model: 928 83

Model life 1983>>1986

Pos	Part Number	Description	Remark	Qty	Model
28	N 011 524 27	4-speed Washer A 6,4		1	
29	928 423 277 00	4-speed Sealing sleeve		1	M249
30	928 606 111 00	Kickdown switch		1	M249
31	928 613 419 00	Spring washer		1	M249
32	928 613 421 00	Grooved nut M 28 X 1,5		1	M249
		Vertical pedal adjustment 15 MM			
-	928 423 133 04	Bump stop		1	
-	928 423 119 01	Push rod	/LL	1	
-	911 423 147 00	Ball socket		1	
-	N 011 005 14	Hexagon nut M 5		1	
-	900 076 091 01	Hexagon nut M 5		1	
-	928 423 117 03	Stop		1	
-	928 423 025 00	Bump stop Vertical pedal adjustment 30 MM		1	
-	928 423 133 05	Bump stop		1	
-	928 423 119 02	Push rod	/LL	1	
-	911 423 147 00	Ball socket		1	
-	N 011 005 14	Hexagon nut M 5		1	
-	900 076 091 01	Hexagon nut M 5		1	
		See technical information GR.X NR.15			

Model: 928 83

Model life 1983>>1986



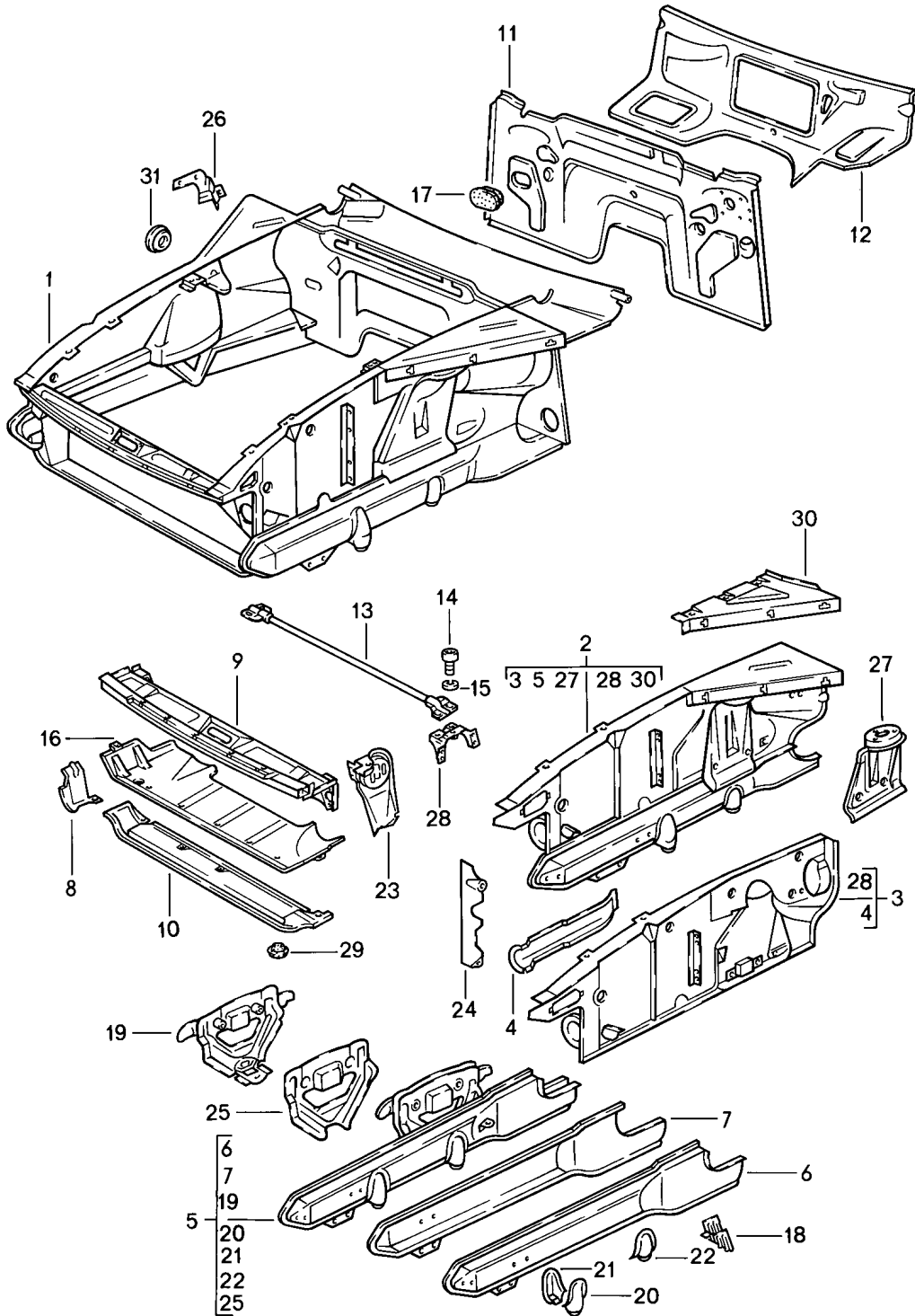
Model: 928 83

Model life 1983>>1986

Pos	Part Number	Description	Remark	Qty	Model
		Body in white Prime coated Sealed Underbody protection Sprayed with filler Bodyshells can only only available from current Model year available			
(1)	928 500 901 04	Body in white	/LL	1	
(1)	928 500 901 06	Body in white	/LL	1	AUT.
(1)	928 500 901 62	Body in white	/LL	1	M650
(1)	928 500 901 64	Body in white	/LL	1	AUT. M650

Model: 928 83

Model life 1983>>1986



Model: 928 83 Model life 1983>>1986

Pos	Part Number	Description	Remark	Qty	Model
1	928 501 949 05	Body front section		1	
(1)	928 501 011 02	Body front section F >>92GS8 60999		1	
2	928 501 947 05	Body front section F 92GS8 61000>>		1	
2	928 501 948 05	Wheel housing with Bracket F >>92GS8 60999	/L	1	
	928 501 948 05 GRV	Wheel housing with Bracket Up to model 83 Use also: 928.722.101.05	/R	1	
(2)	928 501 013 06	Wheel housing F 92GS8 61000>>	/L	1	
	928 501 013 06 GRV	with Bracket			
(2)	928 501 014 06	Wheel housing with Bracket F 92GS8 61000>>	/R	1	
3	928 501 035 03	Wheel housing F >>92GS8 60999	/L	1	
3	928 501 036 03	Wheel housing F >>92GS8 60999	/L	1	
(3)	928 501 035 04	Wheel housing F 92GS8 61000>>	/L	1	
(3)	928 501 036 04	Wheel housing F 92GS8 61000>>	/R	1	
(3)		Wheel housing F 92GS8 61000>>	/R	1	
	928 501 036 04 GRV	Prime coated			
4	928 501 121 02	Bracket		2	
4		Bracket		2	
	928 501 121 02 GRV	Prime coated			
5	928 501 915 01	Bracket F >>92GS8 60999	/L	1	
5		Bracket F >>92GS8 60999	/L	1	
	928 501 915 01 GRV	Prime coated			
(5)	928 501 916 01	Bracket F >>92GS8 60999	/R	1	
(5)		Bracket F >>92GS8 60999	/R	1	
	928 501 916 01 GRV	Prime coated			
(5)	928 501 015 06	Bracket F 92GS8 61000>>	/L	1	
(5)		Bracket F 92GS8 61000>>	/L	1	
	928 501 015 06 GRV	Prime coated			
(5)	928 501 016 06	Bracket F 92GS8 61000>>	/R	1	
(5)		Bracket F 92GS8 61000>>	/R	1	
	928 501 016 06 GRV	Prime coated			
6	928 501 105 02	Bracket Outer	/L	1	
(6)	928 501 106 02	Bracket Outer	/R	1	
(6)		Bracket	/R	1	

Model: 928 83 Model life 1983>>1986

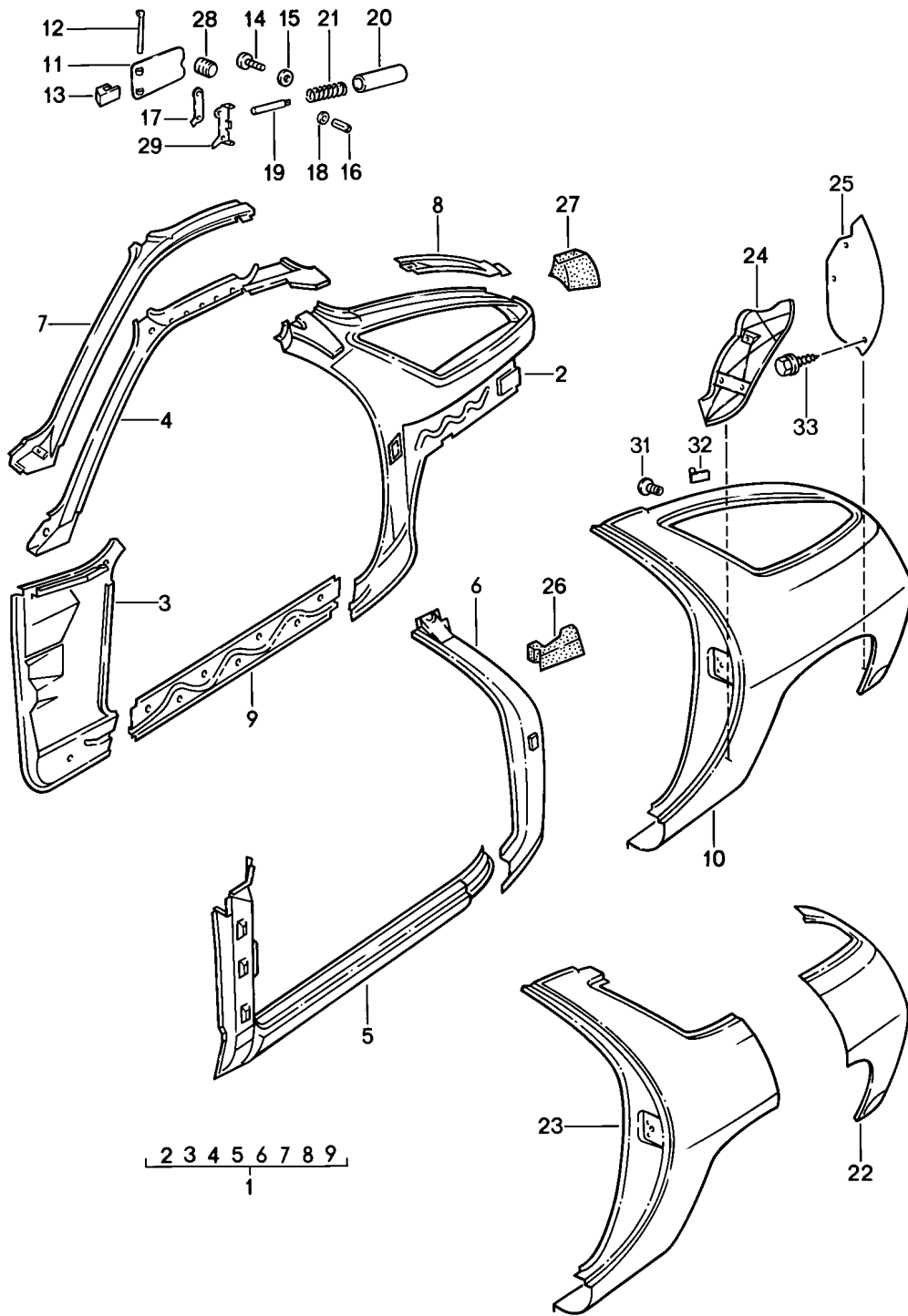
Pos	Part Number	Description	Remark	Qty	Model
7	928 501 106 02 GRV	Prime coated			
	928 501 103 02	Bracket	/L	1	
(7)	928 501 104 02	Inner			
	928 501 104 02	Bracket	/R	1	
(7)	928 501 104 02 GRV	Inner			
	928 501 104 02	Bracket	/R	1	
(8)	928 501 129 02	Prime coated			
8	928 501 130 02	Connecting cap	/L	1	
9	928 501 033 02	Connecting cap	/R	1	
10	928 501 031 04	Terminal piece	/V	1	
11	928 502 201 02	Cross member		1	
11	928 502 201 02	Firewall	-84	1	
	928 502 201 02 GRV	Firewall		1	
12	928 502 203 02	Prime coated			
13	928 504 061 02	Cross panel	-84	1	
14	900 119 053 02	Transverse strut		1	
15	900 025 008 09	Pan-head screw		4	
		M 10 X 16			
15	900 025 008 04	Washer		4	
		A 10,5			
16	928 504 941 04	Washer		4	
		A 10,5			
17	928 504 357 02	Protective plate		1	
18	928 501 307 02	Water drain valve		1	
		Bracket	/L	1	
		for			
		Stabiliser			
18	928 501 307 02 GRV	Bracket	/L	1	
		Prime coated			
		for			
		Stabiliser			
(18)	928 501 308 02	Bracket	/R	1	
		for			
		Stabiliser			
19	928 501 047 02	Bracket	/L	1	
(19)	928 501 048 02	Bracket	/R	1	
20	928 501 139 02	Bracket	/L	1	
(20)	928 501 140 02	Bracket	/R	1	
21	928 501 135 02	Bracket	/L	1	
(21)	928 501 136 02	Bracket	/R	1	
22	928 501 195 02	Bracket	/L	1	
(22)	928 501 196 02	Bracket	/R	1	
23	928 501 127 02	Bracket		1	
		for engine			
		Pop-up headlight			
23	928 501 127 02 GRV	Bracket		1	
		Prime coated			
		for engine			
		Pop-up headlight			
24	928 501 811 02	Lining	/L	1	
		for			
		Radiator			
(24)	928 501 812 02	Lining	/R	1	
		for			
		Radiator			
25	928 501 191 02	Bracket	/L	1	
(25)	928 501 192 02	Bracket	/R	1	
26	928 501 313 02	Retaining bracket	/LL	1	
		for expansion tank			
		F >>92ES8 62361			
26	928 501 313 03	Retaining bracket	/LL	1	
		for expansion tank			
		F 92ES8 62362>>			

Model: 928 83 Model life 1983>>1986

Pos	Part Number	Description	Remark	Qty	Model
(27)	928 501 083 02	Reinforcement Mounting Shock absorber strut F >>92GS8 60999	/L	1	
(27)		Reinforcement Mounting Shock absorber strut F >>92GS8 60999	/L	1	
(27)	928 501 083 02 GRV	Prime coated			
(27)	928 501 084 02	Reinforcement Mounting Shock absorber strut F >>92GS8 60999	/R	1	
(27)		Reinforcement Mounting Shock absorber strut F >>92GS8 60999	/R	1	
(27)	928 501 084 02 GRV	Prime coated			
(27)	928 501 083 03	Reinforcement Mounting Shock absorber strut F 92GS8 61000>>	/L	1	
(27)	928 501 084 03	Reinforcement Mounting Shock absorber strut F 92GS8 61000>>	/R	1	
28	928 501 551 02	Bearing bracket Transverse strut	-84	2	
28	928 501 551 03	Bearing bracket	/L 85-	1	
	928 501 551 03 GRV	Prime coated Transverse strut			
(28)	928 501 582 03	Bearing bracket Transverse strut	/R 85-	1	
(29)	803 803 583 A	Stopper		9	
(29)	999 703 196 40	Lid		9	
30	928 501 081 02	Side member		1	
(30)	928 501 082 02	Side member		1	

Model: 928 83

Model life 1983>>1986



Model: 928 83 Model life 1983>>1986

Pos	Part Number	Description	Remark	Qty	Model
(1)	928 502 011 04	Frame Side section	/L	1	
(1)	928 502 012 04	Side section Inner	/R	1	
(2)	928 502 017 04	Side section Inner rear	/L	1	
(2)	928 502 018 04	Side section Inner rear	/R	1	
(2)		Side section Inner rear	/R	1	
3	928 502 013 09	Side section Inner front	/LL /L	1	
(3)	928 502 014 09	Side section Inner front	/LL /R	1	
4	928 502 301 02	Roof frame Lateral	/L	1	
(4)	928 502 302 02	Roof frame Lateral	/R	1	
5	928 502 015 02	Door sill	/L	1	
5		Door sill	/L	1	
(5)	928 502 015 02 GRV	Prime coated			
6	928 502 016 02	Door sill	/R	1	
6	928 502 051 02	Lock pillar	/L	1	
(6)	928 502 052 02	Lock pillar	/R	1	
7	928 502 331 02	Roof frame Lateral upper	/L	1	
(7)	928 502 332 02	Roof frame Lateral upper	/R	1	
8	928 502 033 02	Interior frame	/L	1	
(8)	928 502 034 02	Interior frame	/R	1	
9	928 502 111 02	Separator		2	
(10)	928 503 061 13	Side section Outer	/L -86	1	
(10)	928 503 061 15	Side section Outer	/L	1	
(10)	928 503 061 15 GRV	Side section Outer Prime coated	/L	1	
(10)	928 503 062 13	Side section Outer	/R	1	
11	928 504 301 02	Flap		1	
12	928 504 313 02	Axle		1	
13	928 504 326 02	Stop		1	
14	900 146 109 00	Oval-head screw M 5 X 12		2	
15	N 011 665 11	Washer B 5,3		2	
16	900 095 036 02	Tensioning sleeve 2 X 8		1	
17	928 504 335 02	Desk pad		1	
18	928 504 347 02	Washer		1	
19	928 504 341 02	Guiding rod		1	
20	928 504 343 02	Protective tube		1	
21	928 504 345 02	Compression spring		1	
22	928 503 061 13	Side section	/L	1	
22	928 503 062 13	Side section	/R	1	
23	928 503 061 14	Side section	/L	1	
(23)	928 503 062 12	Side section	/R	1	
24	928 504 303 02	Wheel cover	/L	1	
(24)	928 504 304 02	Wheel cover	/R	1	
25	928 504 309 02	Wheel cover	/L	1	
25	928 504 309 05	Wheel cover	/L	1	

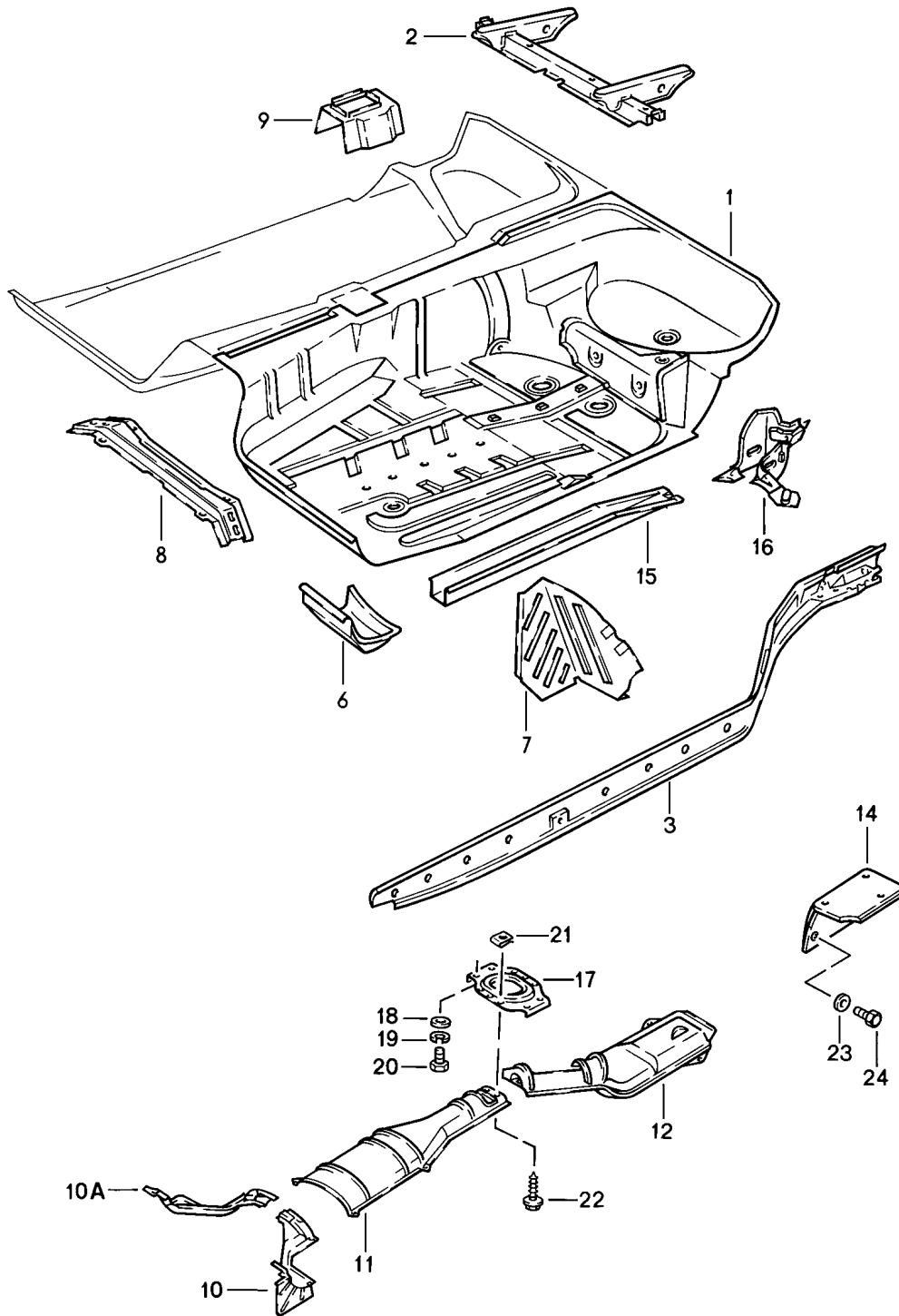
Model: 928 83

Model life 1983>>1986

Pos	Part Number	Description	Remark	Qty	Model
26	928 504 281 02	Seal	/L	1	
(26)	928 504 282 02	Seal	/R	1	
27	928 504 283 02	Seal	/L /H	1	
(27)	928 504 284 02	Seal	/R /H	1	
28	999 703 135 40	Rubber buffer		1	
29	928 504 325 02	Hinge half		1	
31	999 015 005 07	Half-round screw		4	
32	928 503 621 02	Pneumatic spring mount		2	
33	900 187 115 02	Combination screw B 5,5 X 16		10	
33	900 187 115 01	Combination screw B 5,5 X 16		10	

Model: 928 83

Model life 1983>>1986



Model: 928 83 Model life 1983>>1986

Pos	Part Number	Description	Remark	Qty	Model
(1)	928 501 953 03	Floor section Floor section F >>92GS8 60999	/L	1	
(1)	928 501 954 03	Floor section Floor section F >>92GS8 60999	/R	1	
(1)	928 501 953 04	Floor section Floor section F 92GS8 61000>>	/L	1	
(1)	928 501 954 04	Floor section Floor section F 92GS8 61000>>	/R	1	
(2)	928 501 055 60	Seat support	/L -84	1	
(2)	928 501 055 60 GRV	Seat support Prime coated	/L	1	
(2)	928 501 056 60	Seat support	/R -84	1	
(2)	928 501 056 60 GRV	Seat support Prime coated	/R	1	
3	928 501 021 04	Side member	/L	1	
(3)	928 501 022 04	Side member	/R	1	
(6)	928 501 093 03	Gusset plate	/L	1	
(6)	928 501 094 02	Gusset plate F >>92GS8 60999	/R	1	
(6)	928 501 094 03	Gusset plate F 92GS8 61000>>	/R	1	
7	928 551 071 02	Foot support	/LL /L	1	
8	928 501 901 05	Cross member		1	
9	928 501 059 02	Reinforcement	-84	1	
9	928 501 059 02 GRV	Reinforcement Prime coated		1	
10	928 504 921 05	Heat protection plate		1	
10A	928 504 924 05	Heat protection plate	85-	1	
11	928 504 491 01	Heat protection plate	-86	1	
(11)	928 504 931 04	Heat protection plate	86	1	
(12)	928 504 931 04	Heat protection plate	/L	1	
(12)	928 504 932 04	Heat protection plate F 92GS8 61000>>	/R	1	
14	928 504 051 02	Heat protection plate From model 86 on See group 8/01/20 POS.18 F >>92GS8 60999		1	
15	928 501 577 02	Side member F >>92GS8 60999	/L /L	1	
15	928 501 577 02 GRV	Side member F >>92GS8 60999 Prime coated	/L /L	1	
15	928 501 578 50	Side member F >>92GS8 60999	/R /R	1	
15	928 501 578 50 GRV	Side member F >>92GS8 60999 Prime coated	/R /R	1	
16	928 501 067 03	Link bearing F >>92GS8 60999	/L 84-	1	
16	928 501 067 03 GRV	Link bearing F >>92GS8 60999 Prime coated	/L 84-	1	
(16)	928 501 068 03	Link bearing From model 86 on See group 5/01/00 POS.39 F >>92GS8 60999	/R 84-	1	
(16)	928 501 068 03	Link bearing From model 86 on See group	/R 84-	1	

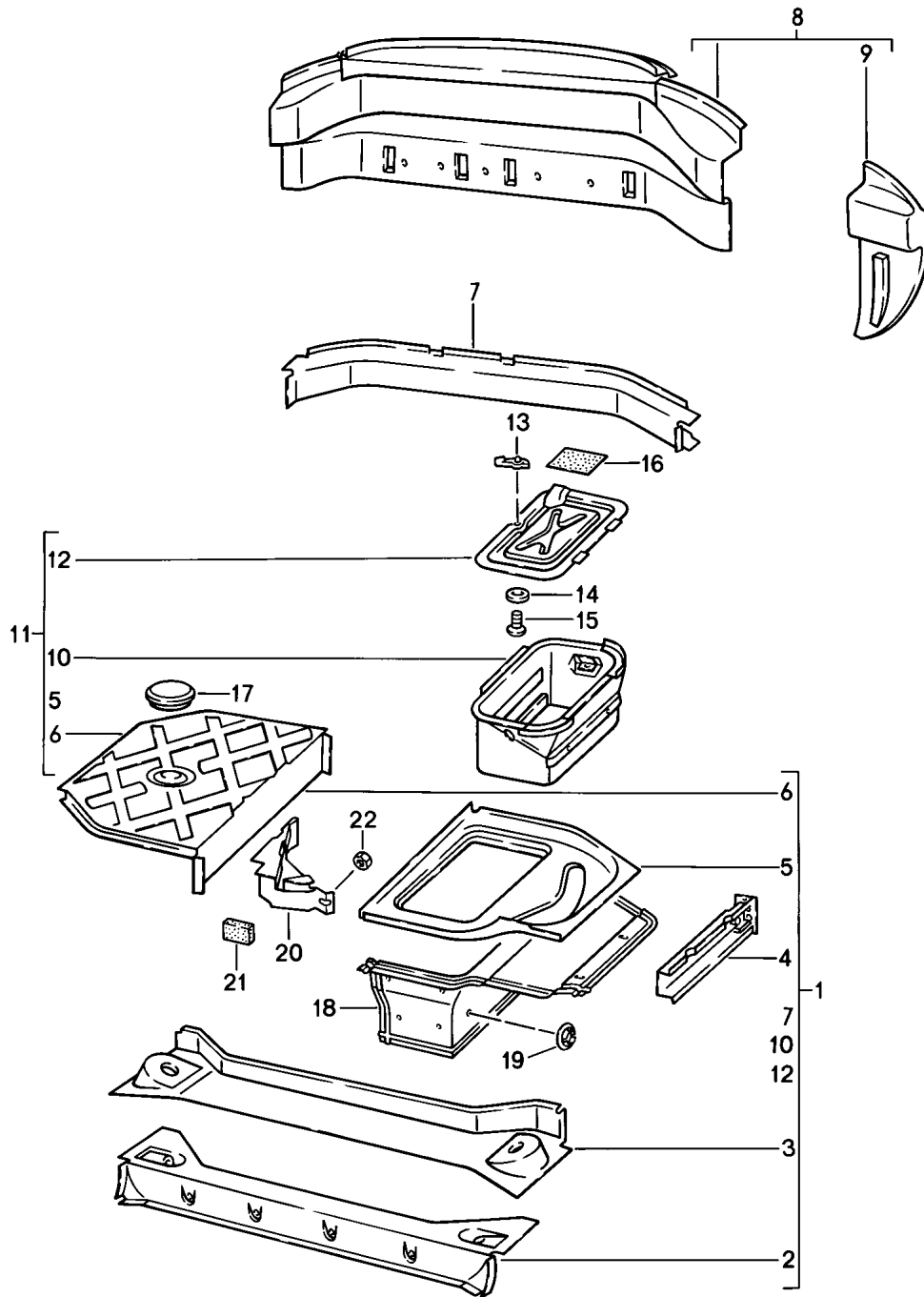
Model: 928 83

Model life 1983>>1986

Pos	Part Number	Description	Remark	Qty	Model
		5/01/00 POS.39			
		F >>92GS8 60999			
17	928 501 068 03 GRV 928 501 495 02	Prime coated Bridge		1	
18	900 025 007 02	Seat belt Washer		4	
18	900 025 007 03	A 8,4 Washer		4	
19	900 027 015 02	A 8,4 Lock ring		4	
19	900 027 015 03	B 8 Lock ring		4	
20	900 075 087 02	B 8 Hexagon-head bolt		4	
20	900 075 087 03	M 8 X 16 Hexagon-head bolt		4	
21	999 591 487 02	M 8 X 16 Speed nut		16	
22	900 187 115 02	B 5,5 Combination screw		16	
22	900 187 115 01	B 5,5 X 16 Combination screw		16	
23	N 011 524 7	B 5,5 X 16 Washer		2	
23	N 011 524 27	B 6,4 Washer		2	
24	900 075 310 02	B 6,4 Hexagon-head bolt		2	
		M 6 X 12			

Model: 928 83

Model life 1983>>1986



Model: 928 83 Model life 1983>>1986

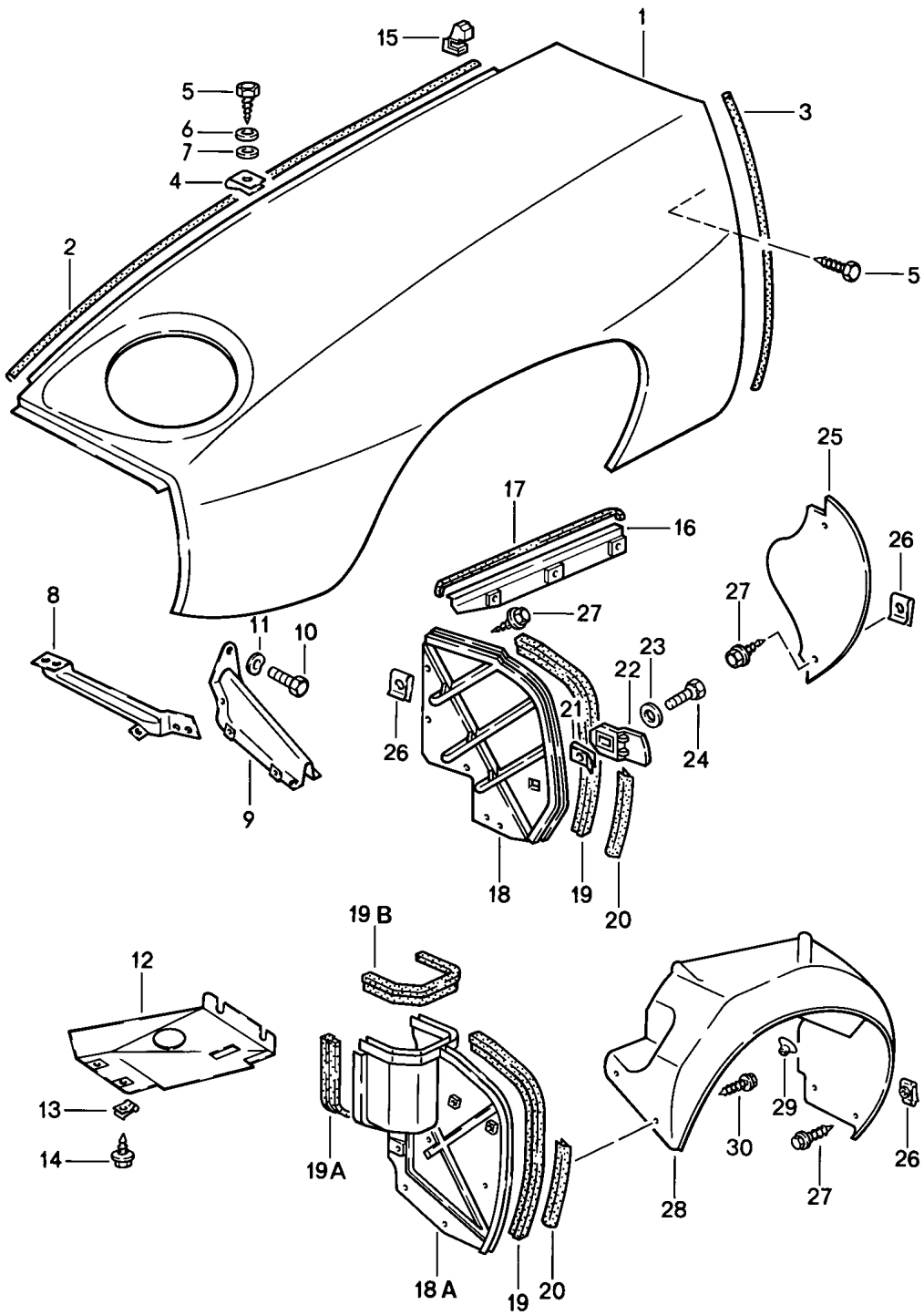
Pos	Part Number	Description	Remark	Qty	Model
1	928 501 071 03	Frame Rear Rear end Rear end F >>92GS8 60999		1	
1		Rear end F >>92GS8 60999		1	
(1)	928 501 071 03 GRV	Prime coated			
(1)	928 501 071 04	Rear end F 92GS8 61000>>		1	
(1)		Rear end F 92GS8 61000>>		1	
	928 501 071 04 GRV	Prime coated			
2	928 501 515 02	Cross member		1	
2		Cross member		1	
	928 501 515 02 GRV	Prime coated			
3	928 501 715 02	Cross member F >>92GS8 60999		1	
3		Cross member F >>92GS8 60999		1	
(3)	928 501 715 02 GRV	Prime coated			
(3)	928 501 715 03	Cross member F 92GS8 61000>>		1	
4	928 501 207 02	Extension for Bracket F >>92DS8 62068	/L	1	
4	928 501 207 03	Extension for Bracket F 92DS8 62069>>	/L	1	
(4)	928 501 208 04	Extension for Bracket	/R	1	
5	928 501 701 02	Floor section F >>92GS8 60999	/L	1	
5		Floor section F >>92GS8 60999	/L	1	
(5)	928 501 701 02 GRV	Prime coated			
(5)	928 501 701 03	Floor section F 92GS8 61000>>	/L	1	
(5)		Floor section F 92GS8 61000>>	/L	1	
	928 501 701 03 GRV	Prime coated			
6	928 501 702 02	Floor section F >>92GS8 60999	/R	1	
(6)	928 501 702 03	Floor section F 92GS8 61000>>	/R	1	
7	928 501 079 02	Cross member F >>92DS8 62068		1	
7	928 501 079 03	Cross member F 92DS8 62069>>		1	
7		Cross member F 92DS8 62069>>		1	
	928 501 079 03 GRV	Prime coated			
8	928 502 081 04	Terminal piece	/LL	1	
8		Terminal piece	/LL	1	
	928 502 081 04 GRV	Prime coated			
9	928 502 341 02	Terminal piece	/L	1	
(9)	928 502 342 02	Terminal piece	/R	1	
10	928 501 805 02	Battery box F >>92GS8 60999		1	
10		Battery box		1	

Model: 928 83 Model life 1983>>1986

Pos	Part Number	Description	Remark	Qty	Model
(10)	928 501 805 02 GRV	F >>92GS8 60999 Prime coated		1	
(10)	928 501 805 03	Battery box F 92GS8 61000>>		1	
11	928 501 805 03 GRV	Battery box F 92GS8 61000>> Prime coated		1	
11	928 501 075 03	Floor F >>92GS8 60999	/H	1	
(11)	928 501 075 03 GRV	Floor F >>92GS8 60999 Prime coated	/H	1	
(11)	928 501 075 04	Floor F 92GS8 61000>>	/H	1	
12	928 501 075 04 GRV	Floor F 92GS8 61000>> Prime coated	/H	1	
13	928 504 011 03	Lid		1	
13	928 504 103 02	Latch		1	
14	N 011 665 3	Washer B 5,3		1	
14	N 011 665 16	Washer B 5,3		1	
15	N 013 973 4	Oval-head sheetmetal screw B 5,5 X 13 for Emergency wheel		1	
17	928 504 207 02	Lid		1	
18	928 504 053 00	Heat protection plate F 92GS8 61000>>		1	
19	999 591 736 02	Speed nut F 92GS8 61000>>		10	
20	928 612 541 00	Cover F 92GS8 61000>>		1	
21	928 612 494 00	Foam part F 92GS8 61000>>		1	
22	999 591 839 40	Plastic nut F 92GS8 61000>>		1	

Model: 928 83

Model life 1983>>1986



Model: 928 83 Model life 1983>>1986

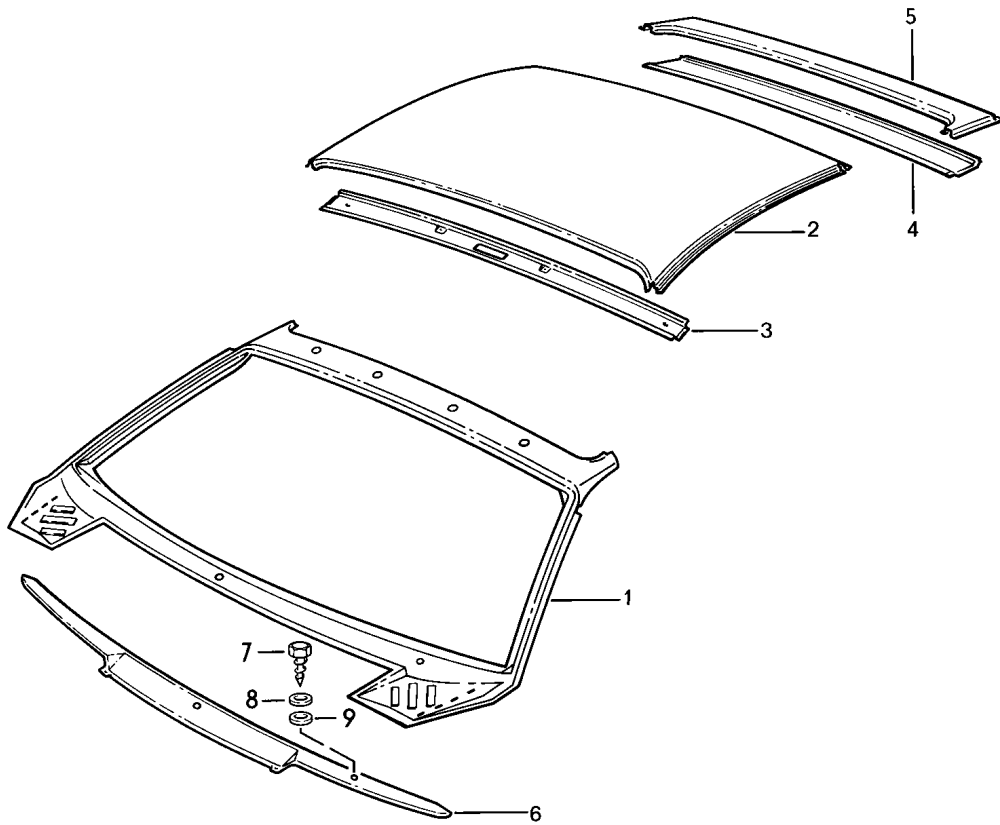
Pos	Part Number	Description	Remark	Qty	Model
1	928 503 011 03	Wing	/L	1	
1	928 503 011 03 GRV	Wing Prime coated	/L	1	
1	928 503 012 03	Wing	/R	1	
1	928 503 012 03 GRV	Wing Prime coated	/R	1	
2	000 043 129 00	Sealing strap		2	
3		Sealing strap		*	
4	999 507 003 02	Speed nut		26	
4	999 507 003 01	Speed nut		26	
5	900 187 010 02	Hexagon-head tapping screw BZ 6,3 X 19		26	
5	900 187 010 03	Hexagon-head tapping screw BZ 6,3 X 19		26	
6	900 151 003 02	Washer A 6,4		26	
6	900 151 006 03	Washer A 6,4		26	
7	999 704 157 40	Washer		26	
8	928 503 317 02	Wing strut	/L	1	M470
8	928 503 318 02	Wing strut	/R	1	M470
9	928 503 031 03	Wing strut		2	
9	928 503 031 03 GRV	Wing strut Prime coated		2	
(9)	928 503 031 02	Wing strut		2	M470
10	999 072 005 09	Hexagon nut M 6 X 12		10	
10	999 072 005 01	Hexagon nut M 6 X 12		10	
11	N 012 226 5	Spring washer		10	
12	928 504 027 02	Cover Headlamp Lower	/L	1	M470
(12)	928 504 028 02	Cover Headlamp Lower	/R	1	M470
13	999 591 486 02	Speed nut B 6,3	-84	4	M470
13	999 507 048 03	Speed nut B 6,3	85	4	M470
14	900 187 108 02	Tapping screw B 6,3 X 16		4	M470
14	900 187 108 01	Tapping screw B 6,3 X 16		4	M470
15	928 511 577 02	Seal F >>92ES8 61463		2	
(15)	928 511 579 03	Seal F 92ES8 61464>>		2	
16	928 504 317 02	Cover Upper	/L -84	1	
(16)	928 504 318 02	Cover Upper	/R -84	1	
17	928 504 211 02	Sealing strap	-84	2	
18	928 504 221 10	Cover	/V 83	2	
(18)	928 504 221 08	Cover	/V 83	2	M470
(18A)	928 504 221 06	Cover	/L 84	1	M470
(18)	928 504 221 10	Cover	/R 84	1	
(18)	928 504 221 08	Cover	/R 84	1	M470
(18A)	928 504 221 07	Cover	/L 84-86	1	
(18A)	928 504 221 09	Cover	/L 85	1	M470
(18)	928 504 221 08	Cover	/R 85	1	
(18)	928 504 221 10	Cover	/R 85	1	M470

Model: 928 83 Model life 1983>>1986

Pos	Part Number	Description	Remark	Qty	Model
19	928 504 223 02	Sealing strap	-83	2	
19		Sealing strap	/R 84-	1	
(19)	928 504 223 03	Sealing strap	/L 84-	1	
19A	928 504 223 04	Sealing strap	/L 84-	1	
19B	928 504 223 05	Sealing strap	/L 84-	1	
(20)	928 504 233 02	Gasket		2	
(20)	928 504 233 03	Gasket		2	
21	999 507 048 03	Speed nut M 6		2	
22	928 504 219 02	Support	/L	1	
(22)	928 504 220 02	Support	/R	1	
23	N 011 612 3	Washer R 6,6		2	
23	N 011 612 C	Washer R 6,6		2	
(23)	N 012 226 5	Spring washer B 6		2	
24	900 075 057 02	Hexagon-head bolt M 6 X 16		2	
24	900 075 057 03	Hexagon-head bolt M 6 X 16		2	
25	928 504 315 02	Cover	/L -84	1	
(25)	928 504 316 03	Cover	/R -84	1	
26	999 591 487 02	Speed nut B 5,5		31	
27	900 187 115 02	Combination screw B 5,5 X 16		21	
27	900 187 115 01	Combination screw B 5,5 X 16		21	
28	928 504 381 05	Wheel-housing liner	/L 85	1	
(28)	928 504 382 05	Wheel-housing liner	/R 85	1	
29	999 049 022 40	Plastic nut	85	2	
30	900 187 108 02	Tapping screw BZ 6,3 X 16	85	4	
30	900 187 108 01	Tapping screw BZ 6,3 X 16	85-	4	

Model: 928 83

Model life 1983>>1986



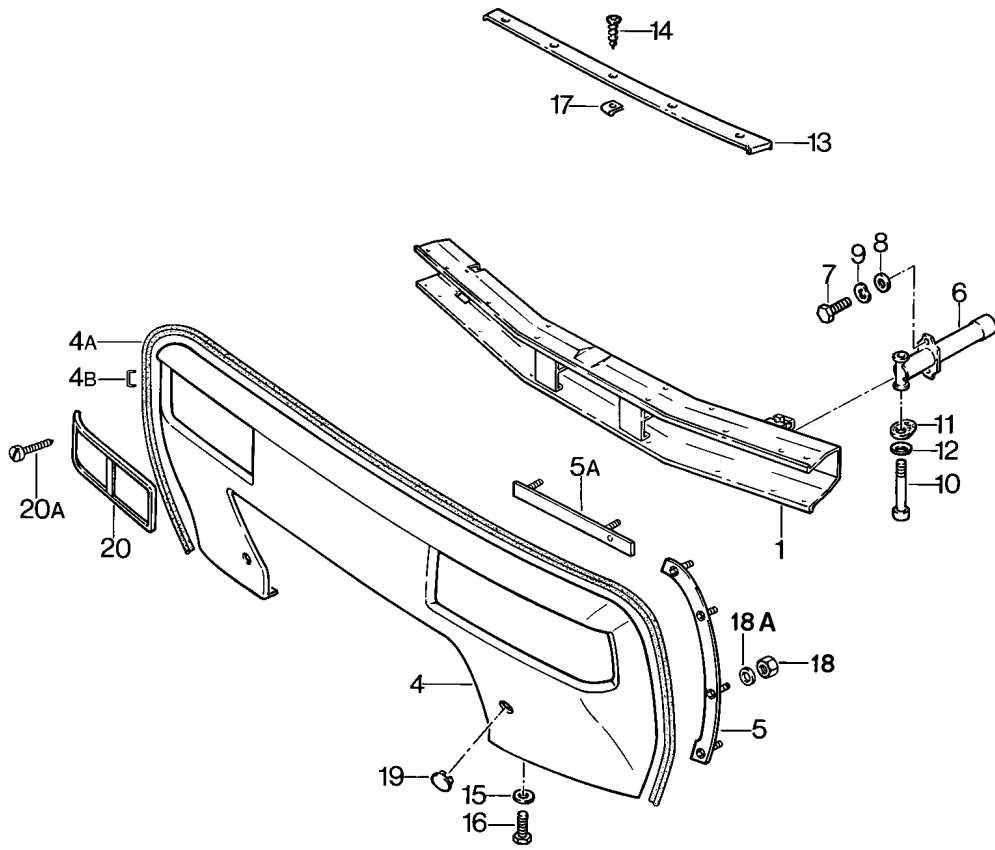
Model: 928 83

Model life 1983>>1986

Pos	Part Number	Description	Remark	Qty	Model
		Roof Cowl			
1	928 503 041 08	Cowl	/LL	1	
2	928 503 501 02	Roof		1	
3	928 502 383 02	Roof frame	/V	1	
4	928 502 393 02	Roof frame Rear Lower		1	
5	928 502 395 02	Roof frame Rear Upper		1	
6	928 559 117 02	Cowl panel Outer part	/LL	1	
-	928 559 251 02	Gasket Cowl panel 1600 MM		1	
7	900 187 010 02	Hexagon-head tapping screw BZ 6,3 X 19		2	
7	900 187 010 03	Hexagon-head tapping screw BZ 6,3 X 19		2	
8	900 151 003 02	Washer A 6,4		2	
8	900 151 006 03	Washer A 6,4		2	
9	999 704 157 40	Washer		2	

Model: 928 83

Model life 1983>>1986

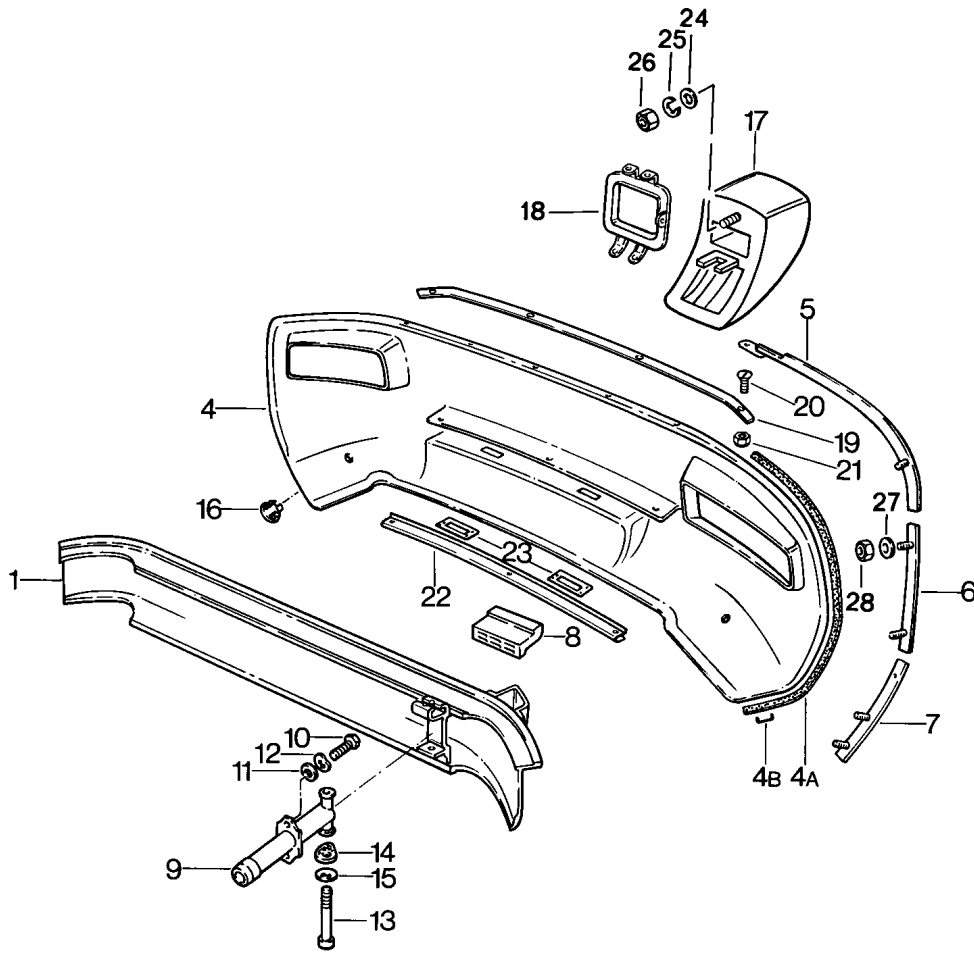


Model: 928 83 Model life 1983>>1986

Pos	Part Number	Description	Remark	Qty	Model
		Bumper			
		Front			
(1)	928 505 010 05	Bracket		1	
4	928 505 113 06	Lining		1	
-	928 025 289 02	Piping		*	
4A		2300 MM		1	
5	928 505 033 02	Retaining strip	/L	1	
5		Retaining strip	/L	1	
	928 505 033 02 GRV	Prime coated			
(5)	928 505 034 02	Retaining strip	/R	1	
(5)		Retaining strip	/R	1	
	928 505 034 02 GRV	Prime coated			
5A	928 505 031 02	Retaining strip		2	
		Upper			
		Upper			
(6)	928 505 015 02	Impact absorber		2	
7	900 075 085 02	Hexagon-head bolt		4	
		M 8 X 20			
8	900 025 007 02	Washer		4	
		8,4			
8	900 025 007 03	Washer		4	
		8,4			
9	N 012 241 8	Spring washer		4	
		B 8			
10	900 067 084 02	Pan-head screw		2	
		M 12 X 110			
10	900 067 084 03	Pan-head screw		2	
		M 12 X 110			
11	999 025 212 09	Washer		2	
		12			
11	999 025 212 01	Washer		2	
		12			
(11)	928 505 243 02	Eccentric washer		2	
12	900 222 003 01	Cup spring		2	
13	928 505 114 02	Rail		1	
14	900 145 090 07	Rais. counters. h. tap. s.		5	
		B 4,8 X 19			
15	900 151 003 02	Washer		2	
		A 6,4			
15	900 151 006 03	Washer		2	
		A 6,4			
16	900 075 057 02	Hexagon-head bolt		2	
		M 6 X 16			
16	900 075 057 03	Hexagon-head bolt		2	
		M 6 X 16			
17	999 591 485 02	Speed nut		5	
		B6 4,8			
18	N 021 196 1	Lock nut		12	
		M 5			
18	N 021 196 3	Hexagon nut		12	
		M 5			
18A	900 025 003 02	Washer		12	
		A 5,3			
19	928 505 131 02	Lid		2	
(20)	928 505 055 02	Covering frame	/L	1	
(20)	928 505 056 02	Covering frame	/R	1	
20A	900 143 125 07	Oval-head sheetmetal screw		4	
		B 3,5 X 13			
(20A)	900 143 084 07	Oval-head sheetmetal screw		4	
		B 3,5 X 16			

Model: 928 83

Model life 1983>>1986



Model: 928 83 Model life 1983>>1986

Pos	Part Number	Description	Remark	Qty	Model
		Bumper			
		Rear			
1	928 505 020 08	Bracket		1	
(4)	928 505 123 05	Lining		1	
-	928 025 289 02	Piping		*	
4A		1000 MM		2	
5	928 505 035 02	Retaining strip	/L	1	
		Upper			
(5)	928 505 036 02	Retaining strip	/R	1	
		Upper			
6	928 505 037 02	Retaining strip	/L	1	
		Centre			
(6)	928 505 038 02	Retaining strip	/R	1	
		Centre			
7	928 505 039 02	Retaining strip	/L	1	
		Lower			
(7)	928 505 040 02	Retaining strip	/R	1	
		Lower			
-	999 190 313 02	Buttonhead rivet		6	
		3,2			
-	999 190 114 30	Blind rivet		4	
		3,2			
8	928 505 245 02	Buffer		2	
-	999 591 450 40	Buttonhead rivet		3	
		4,8			
-	999 190 312 30	Buttonhead rivet		3	
		4,8			
9	928 505 015 02	Impact absorber		2	
10	900 075 085 02	Hexagon-head bolt		4	
		M 8 X 20			
11	900 025 007 02	Washer		4	
		8,4			
11	900 025 007 03	Washer		4	
		8,4			
12	N 012 241 8	Spring washer		4	
		B 8			
13	900 067 084 02	Pan-head screw		2	
		M 12 X 110			
13	900 067 084 03	Pan-head screw		2	
		M 12 X 110			
14	999 025 212 09	Washer		2	
		12			
14	999 025 212 01	Washer		2	
		12			
(14)	928 505 243 02	Eccentric washer		2	
15	900 222 003 01	Cup spring		2	
16	928 505 131 02	Lid		2	
17	928 505 005 03	Buffer	/L	1	
(17)	928 505 006 03	Buffer	/R	1	
18	928 505 285 02	Frame	/L	1	
		for			
		Rear fog light			
19	928 505 267 02	Rail		1	
(20)	900 144 029 07	Counters. head tapp. screw		4	
		B 4,8 X 25			
(20)	900 144 029 0G	Counters. head tapp. screw		4	
		B 4,8 X 25			
(21)	999 591 485 02	Speed nut		4	
		B6 4,8			
22	928 505 253 02	Reinforcement strip		1	
23	928 505 112 02	Mounting plate		2	
24	900 025 007 02	Washer		2	
		A 8,4			

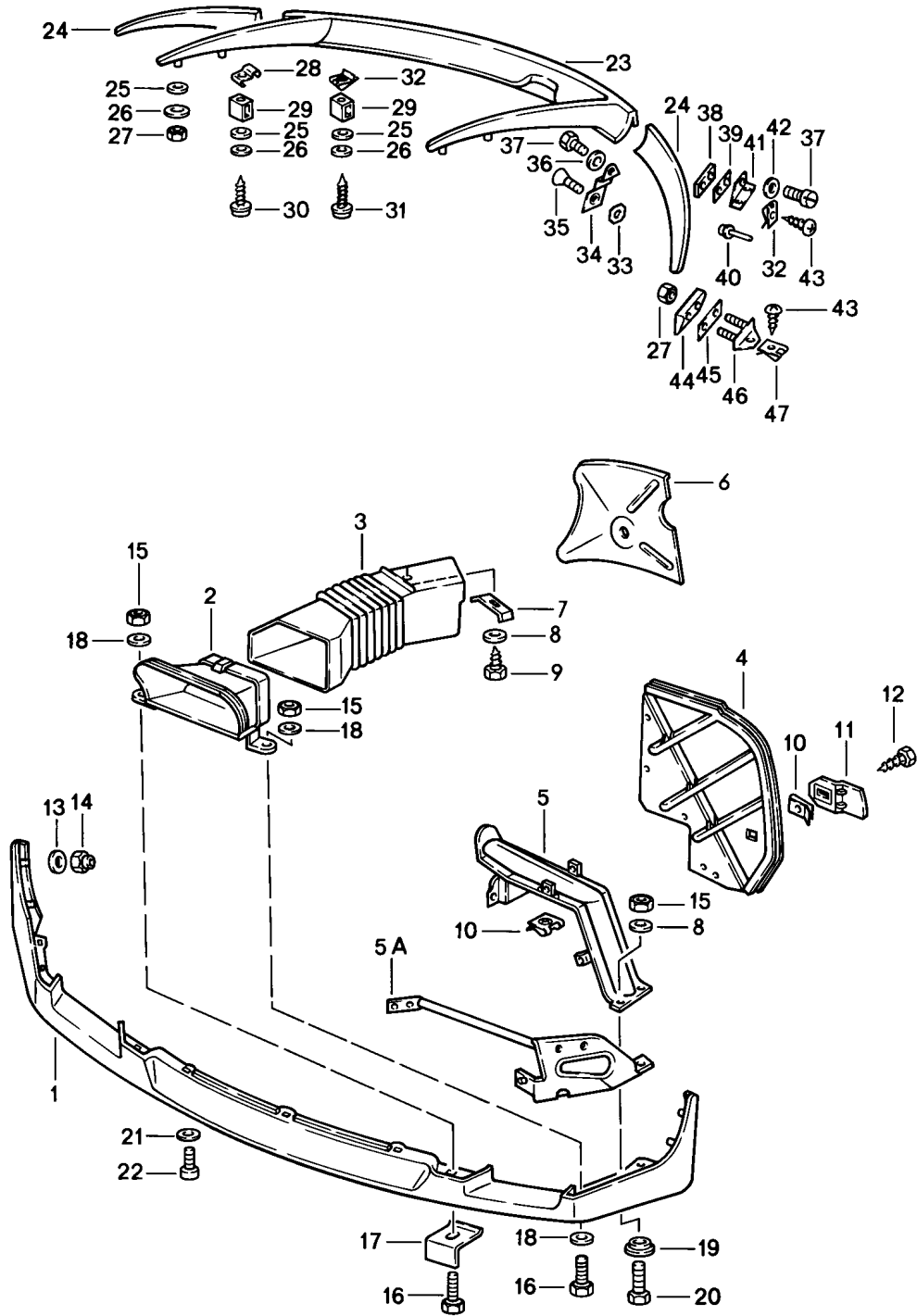
Model: 928 83

Model life 1983>>1986

Pos	Part Number	Description	Remark	Qty	Model
24	900 025 007 03	Washer A 8,4		2	
25	N 012 241 8	Spring washer B 8		2	
26	900 076 044 02	Hexagon nut M 8		2	
27	900 025 003 02	Washer A 5,3		11	
28	N 021 196 1	Lock nut M 5		11	
28	N 021 196 3	Hexagon nut M 5		11	

Model: 928 83

Model life 1983>>1986



Model: 928 83 Model life 1983>>1986

Pos	Part Number	Description	Remark	Qty	Model
		Spoiler Front and rear			
1	928 505 071 03	Front spoiler		1	
2	928 505 159 02	Ventilation grille	/L	1	
(2)	928 505 160 02	Ventilation grille	/R	1	
3	928 504 159 02	Vent hose	/L	1	
(3)	928 504 160 02	Vent hose	/R	1	
		See illustrations 8/01/25			
4		Cover	/V -83		
		See illustrations 8/01/25			
(4)		POS.18 Cover	/R 84-		
		See illustrations 8/01/25			
(4)		POS.18 Cover	/L 84-		
		See illustrations 8/01/25			
5	928 503 031 03	Wing strut		2	
	928 503 031 03 GRV	Prime coated			
5A	928 503 333 03	Wing strut	/L	1	
	928 503 333 03 GRV	Prime coated			
5A	928 503 334 03	Wing strut	/R	1	
	928 503 334 03 GRV	Prime coated			
6		See illustrations 4/01/00 POS.17			
7	928 504 247 02	Support		2	
8	N 011 524 7	Washer B 6		14	
8	N 011 524 27	Washer B 6		14	
9	900 187 108 02	Tapping screw M 6,3 X 16		12	
		See group			
9	900 187 108 01	Tapping screw M 6,3 X 16		12	
		See group			
10		Speed nut M6			
		See illustrations 8/01/25			
11		POS.21 Support	/L		
		See illustrations 8/01/25			
(11)		POS.22 Support	/R		
		See illustrations 8/01/25			
12		POS.22 Hexagon-head bolt M6 X 16			
		See illustrations 8/01/25			
13	900 025 003 02	Washer A 5,3		6	
				6	
14	900 910 008 02	Lock nut M 5		6	

Model: 928 83 Model life 1983>>1986

Pos	Part Number	Description	Remark	Qty	Model
15	900 910 011 02	Lock nut M 6		6 6	
16	900 075 341 02	Combination screw M 6 X 25		4 4	
16	900 075 341 01	Combination screw M 6 X 25		4 4	
17	928 505 373 02	Support		2	
18	N 011 612 3	Washer R 6,6		6 6	
18	N 011 612 C	Washer R 6,6		6 6	
19	928 503 255 00	Spacer		2	
19		Spacer		2	
20	928 503 255 00 GRV N 010 217 9	Prime coated Hexagon-head bolt M 6 X 20		2	
21	N 011 665 3	Washer B 5,3		3	
21	N 011 665 16	Washer B 5,3		3	
22	999 919 164 09	Oval-head screw M 5 X 12		3	
23	928 512 071 02	Rear spoiler		1	
24	928 512 073 02	Rear spoiler	/L	1	
24	928 512 074 02	Rear spoiler	/R	1	
25	928 559 143 02	Sealing ring		10	
25	928 559 143 03	Sealing ring		10	
26	999 025 083 70	Washer 3,7 X 11 X 0,5		10	
27	900 910 006 02	Lock nut M 4		4	
27	900 084 020 01	Lock nut M 4		4	
28	928 512 307 02	Speed nut		6	
29	928 512 199 02	Spacer		12	
30	999 450 004 02	Tapping screw B 4,2 X 28		4	
31	999 450 005 02	Tapping screw B 4,2 X 32		6	
32	N 015 429 2	Speed nut B 4,2		6	
32	N 015 429 6	Speed nut B 4,2		6	
33	928 512 611 02	Desk pad		2	
34	928 512 589 02	Retaining bracket		2	
35	999 219 003 07	Countersunk-head screw M 6 X 16		2	
36	900 151 037 07	Washer A 6,4		2	
37	999 217 006 07	Hexagon-head bolt M 6 X 10		4	
38	928 512 601 02	Threaded plate		2	
39	928 512 613 02	Desk pad		2	
40	999 190 151 30	Tubular rivet D 4 X 4,8 - 6		2	
41	928 512 595 02	Bracket		2	
42	N 011 524 7	Washer A 6,4		2	
42	N 011 524 27	Washer A 6,4		2	
43	N 013 965 9	Oval-head sheetmetal screw BZ 4,2 X 9,5		4	
44	928 512 609 02	Base wedge		2	

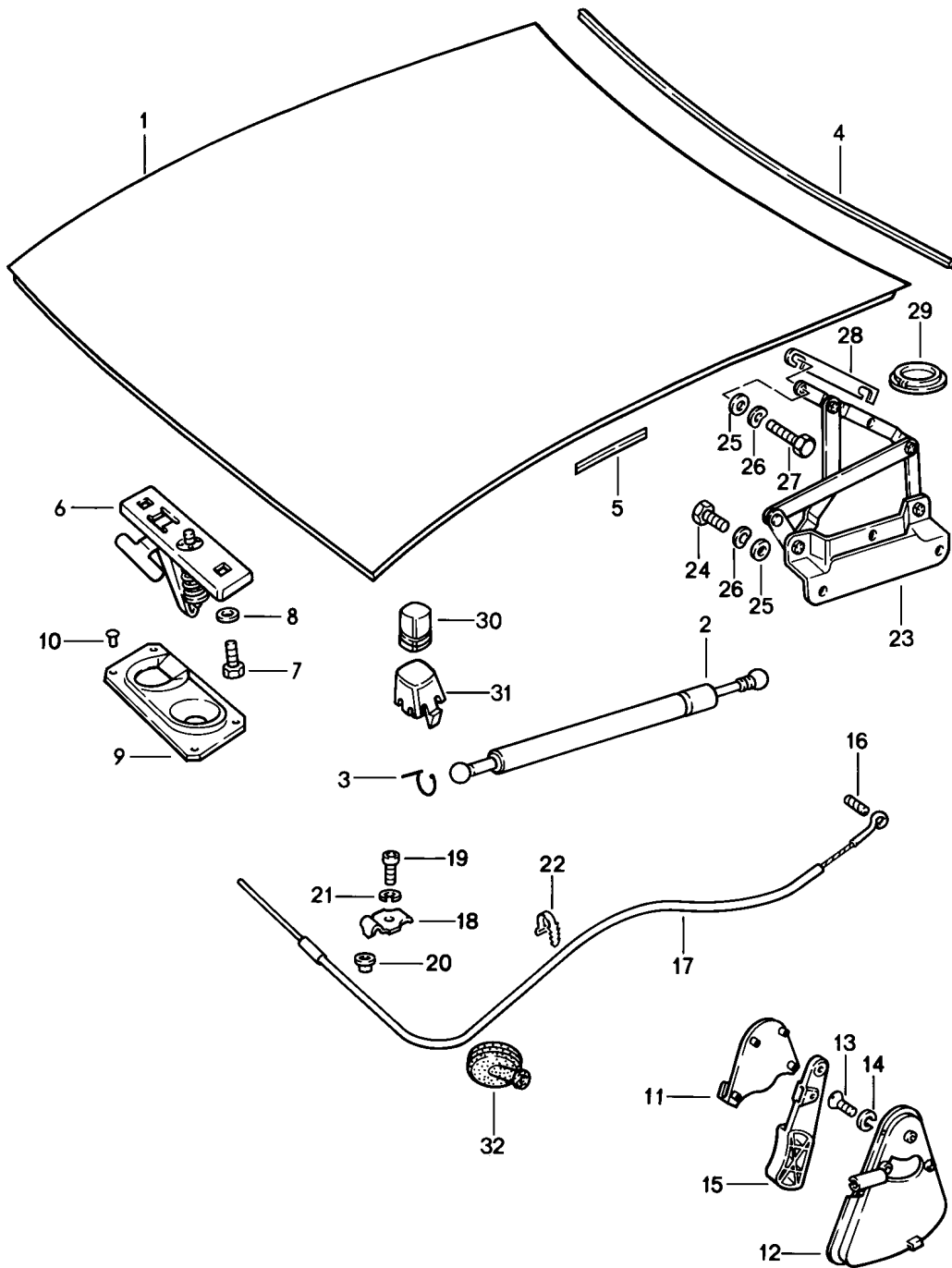
Model: 928 83

Model life 1983>>1986

Pos	Part Number	Description	Remark	Qty	Model
45	928 512 615 02	Desk pad		2	
46	928 512 605 02	Bracket		2	
47	999 507 229 02	Speed nut B 4,2		2	

Model: 928 83

Model life 1983>>1986



Model: 928 83

Model life 1983>>1986

Pos	Part Number	Description	Remark	Qty	Model
1	928 511 005 03	Lid Front Mounting parts Bonnet Up to model 83 Order also:		1	
-	928 628 077 00	Nozzle		2	
2	928 511 139 03	Gas-pressure spring		2	
3	900 169 016 02	Securing clip		4	
4	928 511 141 03	Gasket		1	
5	928 511 551 03	Gasket Lateral		2	
5	928 511 551 05	Gasket Lateral		2	
6	928 511 029 02	Lid lock Upper part F >>92FS8 61283		1	
(6)	928 511 029 03	Lid lock Upper part F 92FS8 61284>>		1	
(6)	944 511 029 00	Lock upper part Upper part F 92FS8 61284>>		1	
7	900 076 010 02	Nut M 6		2	
7	900 076 010 0B	Nut M 6		2	
8	N 011 666 7	Washer B 6,4		2	
9	928 511 027 02	Lid lock Lower part		1	
10	999 190 128 30	Blind rivet 4,8 X 2		4	
11	928 511 143 02	Cover		1	
	928 511 143 02 70B	Black			
12	928 511 173 02	Bearing shell		1	
	928 511 173 02 70B	Black			
13	900 249 001 02	Countersunk-head screw M 6 X 15		2	
14	N 012 006 4	Lock ring B 6		2	
15	928 511 175 02	Pull handle		1	
	928 511 175 02 70B	Black			
16	900 197 018 00	Roll pin 4 X 12		1	
17	928 511 037 04	Wire pull	/LL	1	
18	928 511 541 02	Clamping piece		1	
19	900 067 008 02	Pan-head screw M 6 X 12		1	
19	900 067 008 03	Pan-head screw M 6 X 12		1	
20	928 511 543 02	Sleeve		1	
21	N 012 007 2	Lock ring A 6		1	
21	900 027 004 03	Lock ring A 6		1	
22	999 513 007 40	Tie-wrap		1	
23	928 511 041 04	Lid hinge	/L	1	
(23)	928 511 042 04	Lid hinge	/R	1	
24	N 010 237 6	Hexagon-head bolt M 8 X 12		6	
24	N 010 237 14	Hexagon-head bolt M 8 X 12		6	

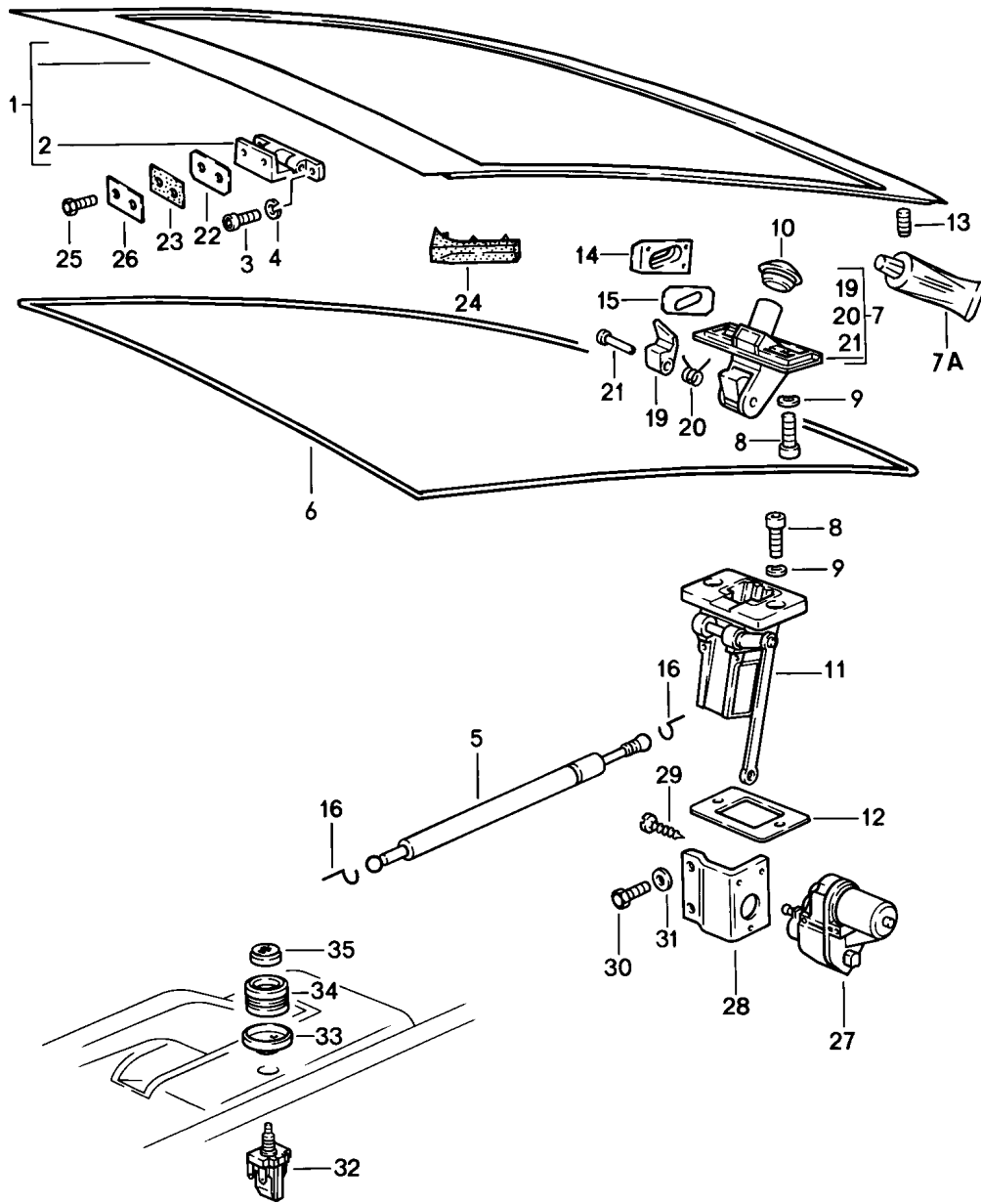
Model: 928 83

Model life 1983>>1986

Pos	Part Number	Description	Remark	Qty	Model
25	900 025 007 02	Washer 8,4		10	
25	900 025 007 03	Washer 8,4		10	
26	N 012 241 8	Spring washer A 8		10	
27	900 075 309 08	Hexagon-head bolt M 8 X 20		4	
28	928 511 419 02	Compensating plate		X	
29	928 511 321 02	Cap	83	2	
(29)	928 511 321 03	Cap	84-	2	
30	999 703 132 40	Rubber buffer		2	
31	928 511 203 02	Support		2	
32	111 957 861	Grommet		1	

Model: 928 83

Model life 1983>>1986



Model: 928 83 Model life 1983>>1986

Pos	Part Number	Description	Remark	Qty	Model
		Lid Rear Mounting parts Differing parts for Alarm system See group 8/04/20			
1	928 512 005 03	Lid		1	
2	928 512 041 04	Hinge		2	
3	999 509 012 02	Pan-head screw M 6 X 20		8	
4	N 012 026 3	Lock ring A 6		8	
5	928 512 331 05	Gas-pressure spring		2	
6	928 512 129 02	Gasket		1	
6	928 512 129 05	Gasket		1	
-	000 043 204 38	Use also: Sealing compound		1	
7	928 512 903 02	Lid lock Secondary key W/o stipulated lock number		1 1 1	
(7)	928 512 901 02	Lid lock Secondary key with stipulated lock number State lock number		1 1	
7A	000 043 204 21	Grease for lock cylinder		1	
7A	G 052 778 A2	Grease for lock cylinder		1	
8	900 186 149 02	Pan-head screw M 8 X 15		4	
9	999 523 102 02	Washer		4	
9	999 523 102 0B	Washer		4	
10	928 512 169 02	Gasket		1	
(11)	928 512 055 40	Push-button lock Lower part	-83	1	
11	928 512 055 20	Lid lock Lower part	84-	1	
-	999 591 570 40	Clip for Connecting rod Lid lock Lower part		1	
12	928 512 179 02	Desk pad I		X	
(12)	928 512 181 02	Desk pad II		X	
13	999 703 140 40	Rubber buffer		2	
14	928 512 057 02	Guide wedge		2	
15	928 512 263 02	Plate		2	
16	900 169 016 02	Securing clip		4	
19	928 512 161 02	Latch		1	
20	928 512 163 02	Spring		1	
21	928 512 165 02	Clinch pin		1	
22	928 512 409 02	Desk pad		X	
23	928 512 413 07	Gasket		2	
24	928 512 261 02	Water deflector	/L	1	
(24)	928 512 262 02	Water deflector	/R	1	
25	999 217 017 02	Hexagon-head bolt M 8 X 18		4	
26	928 512 417 03	Plate		2	
27	928 624 407 02	Electric motor	84-	1	

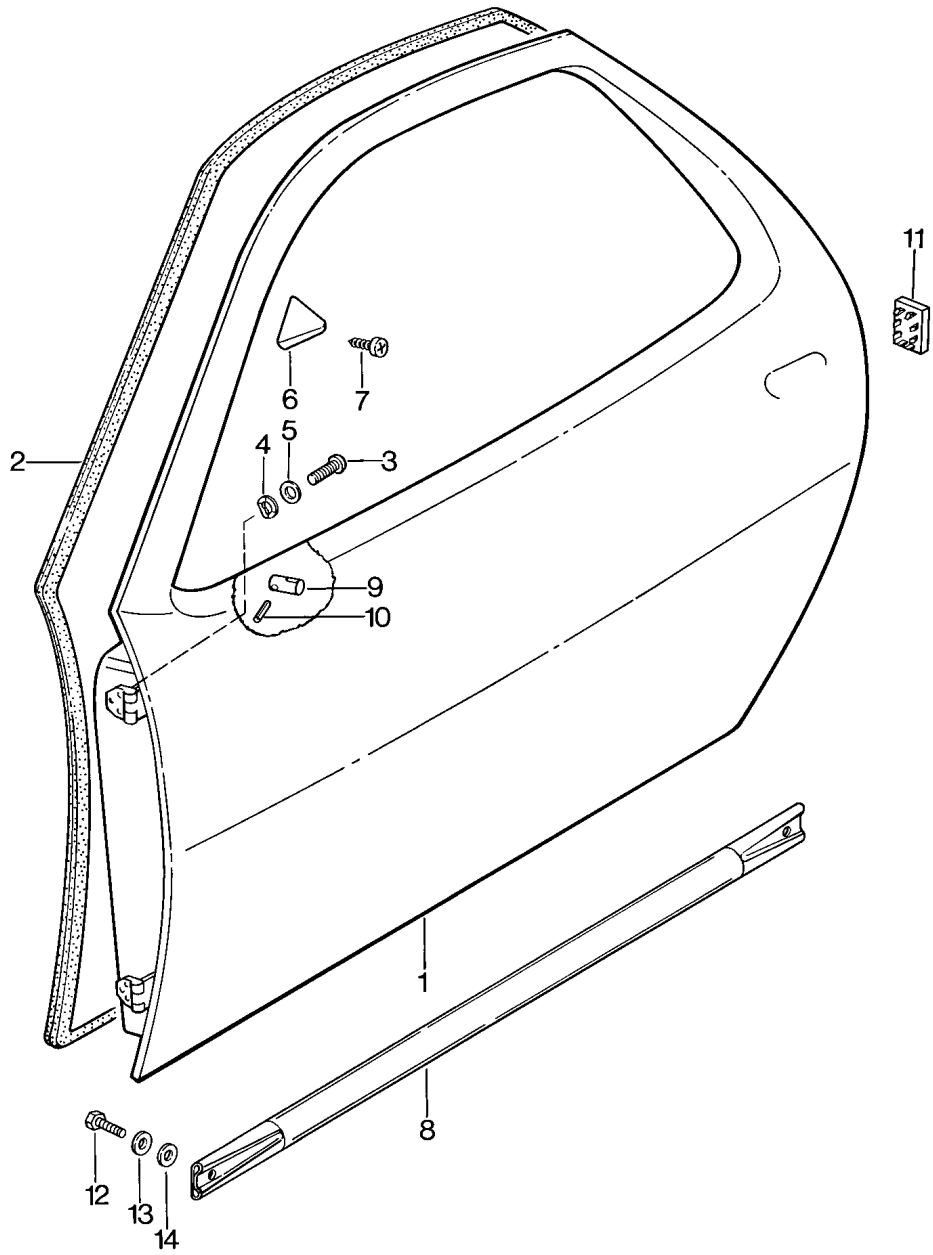
Model: 928 83

Model life 1983>>1986

Pos	Part Number	Description	Remark	Qty	Model
27	928 624 407 BX	Electric motor	84-	1	
28	928 624 049 00	Support	84-	1	
29	N 013 954 2	Hexagon-head bolt B 2,9 X 13	84-	3	
29	900 143 051 01	Oval-head sheetmetal screw B 2,9 X 13	84-	3	
30	999 072 005 09	Hexagon nut M 6 X 12	84-	2	
30	999 072 005 01	Hexagon nut M 6 X 12	84-	2	
31	N 011 524 7	Washer A 6,4	84-	2	
31	N 011 524 27	Washer A 6,4	84-	2	
32	928 613 114 00	Switch Rear lid release	84-	2	
33	928 613 431 00	Rosette Driver's side	84-	1	
(33)	928 613 431 01	Rosette Passenger's side	84-	1	
34	928 613 433 00	Knob	84-	2	
35	928 613 437 00	Cap with symbol	84-	2	

Model: 928 83

Model life 1983>>1986



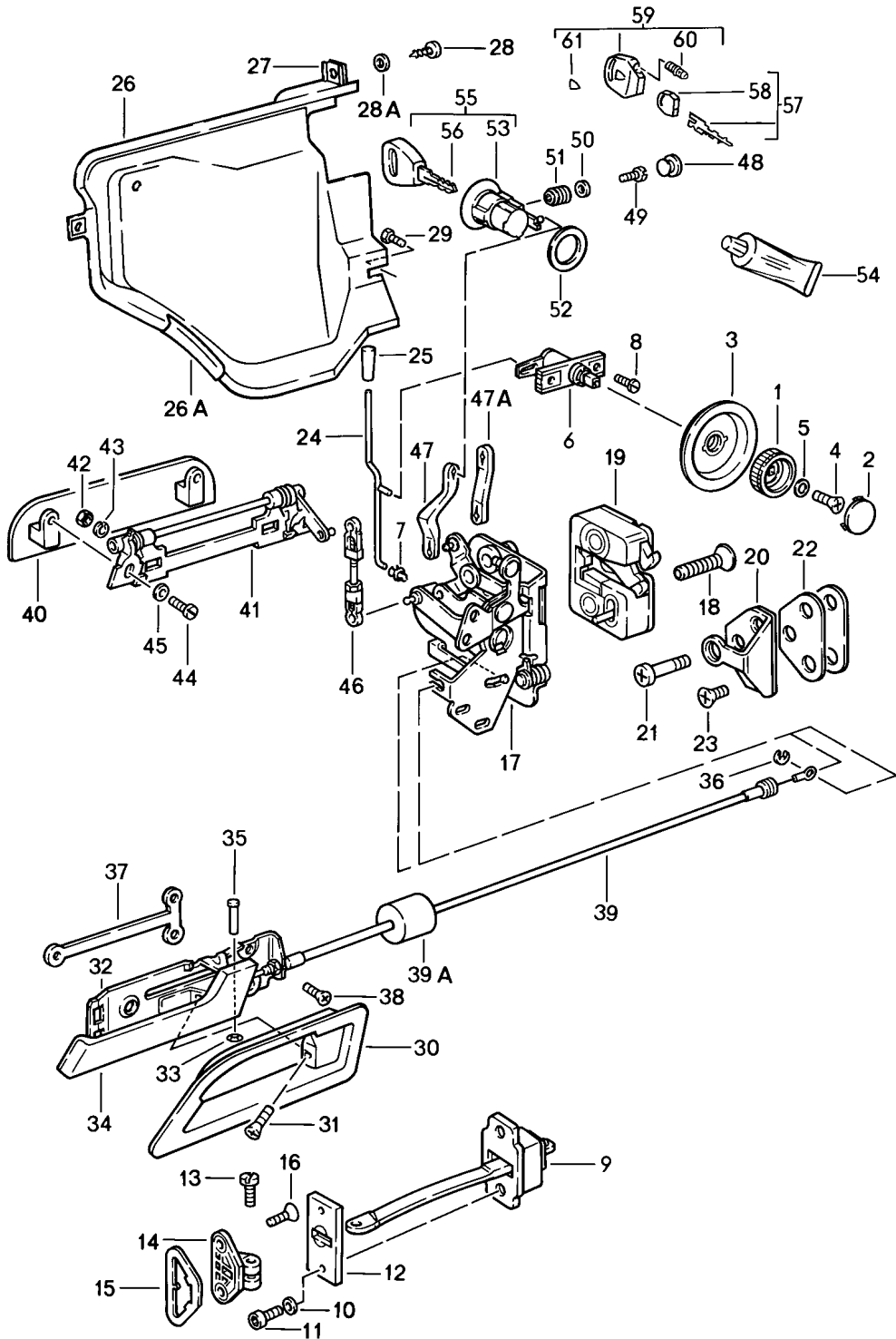
Model: 928 83

Model life 1983>>1986

Pos	Part Number	Description	Remark	Qty	Model
(1)	928 531 005 10	Door in white	/L	1	
	928 531 005 10 GRV	Door in white Prime coated Prepared for mirror			
(1)	927 531 006 10	Door in white	/R	1	
		Prepared for mirror			
2	928 537 345 03	Door seal	/L	1	
(2)	928 537 346 03	Door seal	/R	1	
3	N 014 770 3	Pan-head screw M 8 X 16		12	
4	900 025 007 02	Washer A 8,4		12	
4	900 025 007 03	Washer A 8,4		12	
5	999 523 102 02	Washer 8		12	
5	999 523 102 0B	Washer 8		12	
6	928 537 341 02	Thrust wedge	/L	1	
(6)	928 537 342 02	Thrust wedge	/R	1	
7	900 144 008 02	Counters. head tapp. screw B 3,5 X 9,5		2	
8	928 531 601 03	Reinforcement		2	
8		Reinforcement		2	
	928 531 601 03 GRV	Prime coated			
9	928 531 235 03	Threaded piece		1	
10	N 013 295 1	Tensioning sleeve 3 X 12		1	
11	928 537 723 02	Dummy plug		2	
12	900 075 085 02	Hexagon-head bolt M 8 X 20		4	
13	N 012 009 3	Lock ring A 8		4	
14	900 025 007 02	Washer A 8,4		4	
14	900 025 007 03	Washer A 8,4		4	

Model: 928 83

Model life 1983>>1986



Model: 928 83

Model life 1983>>1986

Pos	Part Number	Description	Remark	Qty	Model
		Installation parts for Door Differing parts for Alarm system See group 8/04/20			
1	928 537 581 03	Rotary knob		2	
2	911 531 703 00	Cap		2	
3	928 537 585 02	Covering		2	
4	999 218 010 02	Oval-head screw M 5 X 12		2	
5	N 011 665 3	Washer B 5,3		2	
5	N 011 665 16	Washer B 5,3		2	
6	928 537 096 02	Bearing		2	
7	993 531 563 00	Linkage clip		2	
8	N 013 968 7	Tapping screw B 4,8 X 13		4	
8	900 143 097 01	Tapping screw B 4,8 X 13		4	
9	928 537 033 04	Door support		1	
10	N 011 524 7	Washer A 6,4		4	
10	N 011 524 27	Washer A 6,4		4	
11	928 537 451 02	Pan-head screw		4	
12	928 537 371 02	Desk pad		2	
13	928 537 419 03	Pan-head screw		2	
(14)	928 537 417 02	Bearing bracket	/L	1	
(14)	928 537 417 03	Bearing bracket	/L	1	
14	928 537 418 02	Bearing bracket	/R	1	
(15)	928 537 425 02	Desk pad	/L	1	
15	928 537 426 02	Desk pad	/R	1	
16	928 537 459 02	Oval-head screw M 6 X 25		4	
(17)	928 537 907 03	Lock Inner part	/L	1	
17	927 537 908 03	Lock Inner part	/R	1	
18	928 537 721 02	Oval-head screw		4	
(19)	928 537 153 03	Door lock Outer part	/L	1	
19	928 537 154 03	Door lock Outer part	/R	1	
20	928 537 133 02	Door lock striker		2	
21	928 537 131 03	Lock pin		2	
22	928 537 135 04	Desk pad		2	
23	900 249 024 00	Countersunk-head screw M 8 X 25		4	
24	928 537 160 04	Locking rod		2	
25	928 555 359 02	Locking knob		2	
25		Locking knob Doors		2	
	928 555 359 02 70B	Black			
(26)	928 537 333 03	Covering for lock	/L	1	
26	928 537 334 03	Covering for lock	/R	1	
-	999 911 037 50	Tread		*	
26A		70 MM		2	
27	999 507 033 02	Speed nut B 4,8		4	

Model: 928 83 Model life 1983>>1986

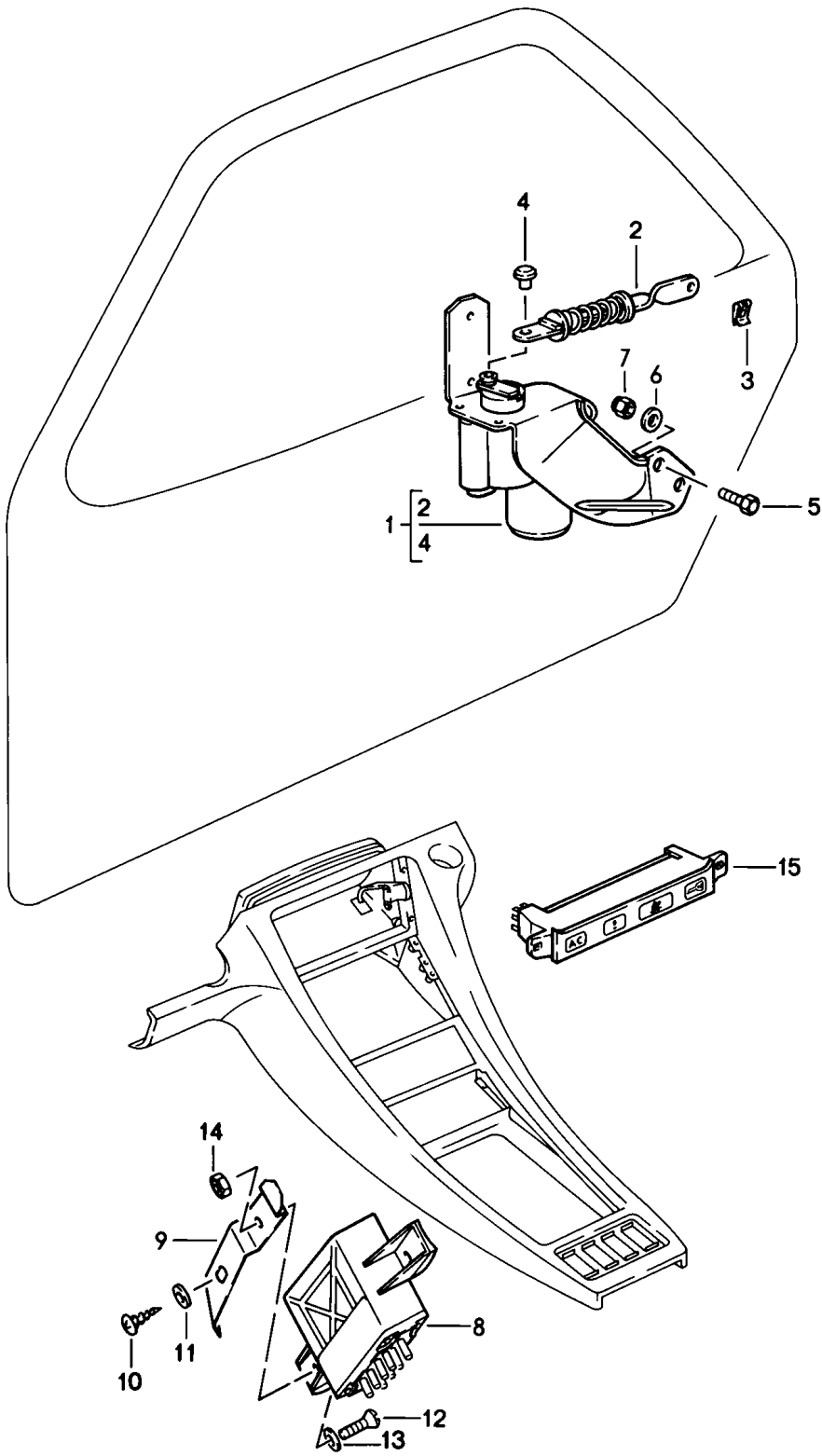
Pos	Part Number	Description	Remark	Qty	Model
27	999 507 033 01	Speed nut B 4,8		4	
28	900 143 118 02	Tapping screw B 4,8		4	
28A	900 151 028 02	Washer B 4,3		4	
28A	900 151 028 01	Washer B 4,3		4	
29	N 010 239 11	Hexagon-head bolt M 8 X 18		2	
29	N 010 239 30	Hexagon-head bolt M 8 X 18		2	
(30)	928 537 545 02	Finger plate	/L	1	
30	928 537 546 02	Finger plate	/R	1	
31	900 269 006 07	Countersunk-head screw M 4 X 8		2	
32	928 537 049 02	Bearing plate	/L	1	
(32)	928 537 050 02	Bearing plate	/R	1	
33	999 591 242 01	Speed nut		2	
(34)	928 537 547 02	Interior handle	/L	1	
34	928 537 548 02	Interior handle	/R	1	
(34)	928 537 169 00	Interior handle	/L	1	
34	928 537 169 00 70B	Satin black			
34	928 537 170 00	Interior handle	/R	1	
34	928 537 170 00 70B	Satin black			
35	928 537 557 02	Bolt		2	
36	900 116 002 01	Lock washer		2	
37	928 537 157 02	Nut lock		2	
38	900 269 015 02	Countersunk-head screw M 5 X 10		6	
39	928 537 055 02	Bowden cable		2	
39A	911 613 636 00	Damping piece		2	
40	928 537 661 02	Grab plate		2	
(41)	928 537 063 04	Bearing	/L	1	
41	928 537 064 04	Bearing	/R	1	
42	900 076 010 02	Nut M 6		4	
42	900 076 010 0B	Nut M 6		4	
43	N 012 006 4	Lock ring B 6		4	
44	N 014 761 2	Pan-head screw M 6 X 12		4	
44	900 119 129 01	Pan-head screw M 6 X 12		4	
45	N 012 226 5	Spring washer B 6		4	
46	928 537 140 03	Connecting rod		1	
47A	928 537 111 04	Operating rod		2	
48	999 703 224 40	Cap	-85	2	
48		Cap	86	2	
49	999 218 003 02	Pan-head screw M 6 X 18		2	
50	803 817 121	Washer		2	
51	928 537 573 02	Spacer sleeve		2	
52	928 537 531 02	Desk pad F >>92GS8 61949		2	
52	928 537 531 03	Desk pad F 92GS8 61950>>		2	
53	928 537 633 05	Door lock cylinder with Rosette Black		2	

Model: 928 83 Model life 1983>>1986

Pos	Part Number	Description	Remark	Qty	Model
54	000 043 204 21	without key with stipulated lock number State lock number Grease for lock cylinder		X X	
54	G 052 778 A2	Grease for lock cylinder		X X	
55	928 537 903 02	Door lock cylinder with Rosette Black Key		2 1	
56	928 537 017 02	W/o stipulated lock number Main key with Light State lock number	-85	2	
-	928 537 624 02	Lid	-85	2	
-	928 537 625 02	Contact plate	-85	2	
-	928 537 626 02	Connecting lug	-85	2	
-	928 537 627 02	Pressure spring	-85	2	
-	928 537 628 02	Knob	-85	2	
-	928 537 630 02	Bulb	-85	2	
56	928 537 639 10	Blank key	-85	2	
57	928 538 033 02	Key State lock number with stipulated lock number Information available	86	3	
58	944 538 431 00	Key cap	86	3	
59	944 538 041 00	Key lamp	86	2	
59	944 538 041 01	Key lamp	86-	2	
60	928 537 630 02	Bulb		2	
61	944 538 443 00	Crest	86	2	

Model: 928 83

Model life 1983>>1986

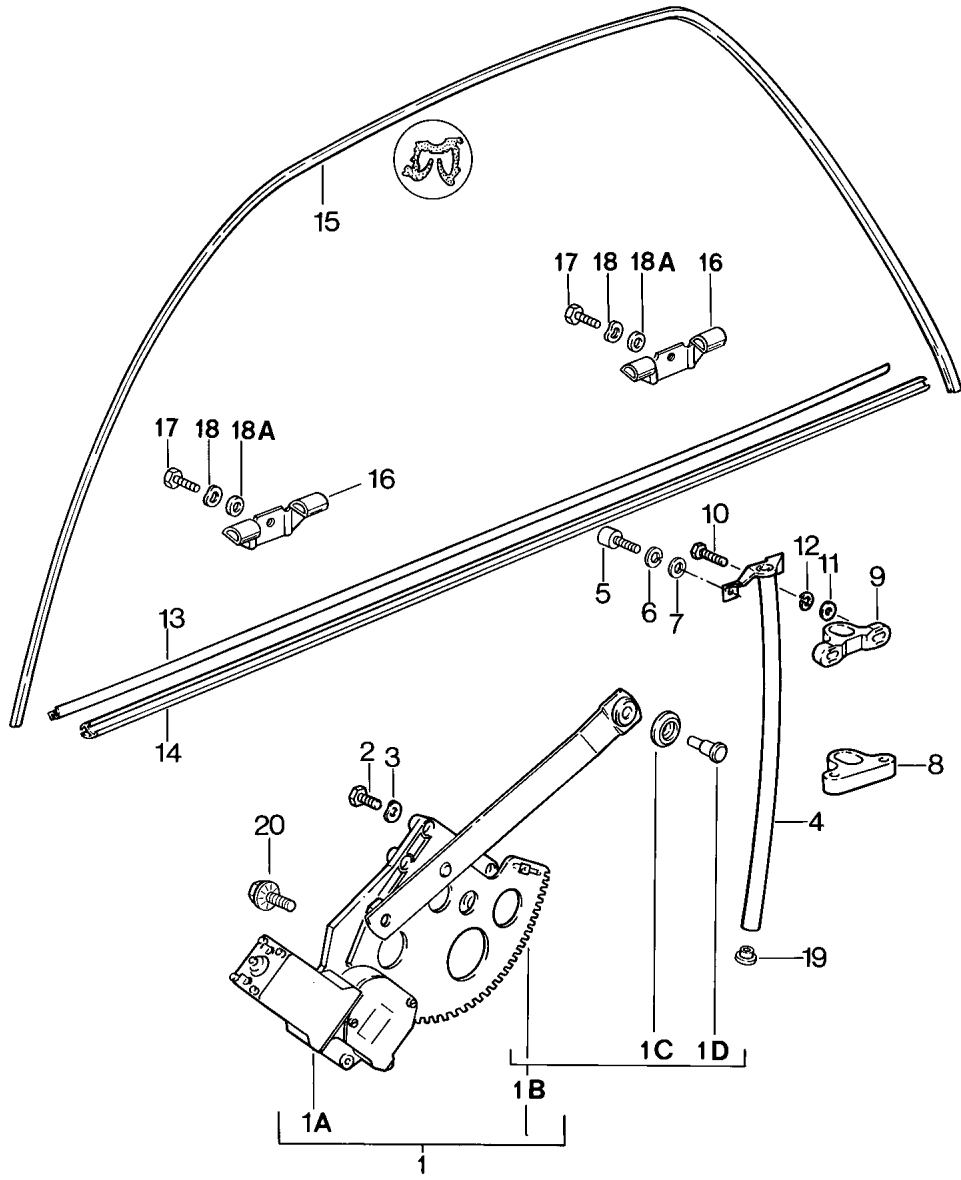


Model: 928 83 Model life 1983>>1986

Pos	Part Number	Description	Remark	Qty	Model
		Central locking system			
1	928 624 401 02	Electric motor	/L	1	
1	928 624 402 02	Electric motor	/R	1	
2	928 624 403 00	Operating rod		2	
3	999 166 054 02	Sl-lock		4	
3	999 166 054 01	Sl-lock		4	
4	999 591 570 40	Clip		2	
5	N 010 207 6	Hexagon-head bolt M5 X 12		4	
5	N 010 207 17	Hexagon-head bolt M5 X 12		4	
6	N 011 665 3	Washer B5,3		4	
6	N 011 665 16	Washer B5,3		4	
7	900 910 009 02	Lock nut M5		4	
7	900 084 026 01	Lock nut M5		4	
8	928 618 125 00	Control unit	84-	1	
9	928 618 135 00	Support	84-	1	
10	N 014 139 7	Oval-head screw M 6 X 20	84-	1	
11	N 011 524 7	Washer A 6,4	84-	1	
11	N 011 524 27	Washer A 6,4	84-	1	
12	N 014 140 5	Oval-head screw M 6 X 25	84-	1	
13	N 011 524 7	Washer A 6,4	84-	1	
13	N 011 524 27	Washer A 6,4	84-	1	
14	900 076 010 02	Nut M 6	84-	1	
14	900 076 010 0B	Nut M 6	84-	1	
15		See illustrations 9/06/05 Electric line See group 9/02/11			

Model: 928 83

Model life 1983>>1986



Model: 928 83

Model life 1983>>1986

Pos	Part Number	Description	Remark	Qty	Model
1	928 537 075 06	Power windows Engine and transmission	/L	1	
(1)	928 537 076 06	Engine and transmission	/R	1	
1A	928 624 013 04	Engine and transmission for window opener F >>92ES8 61532	/L	1	
(1A)	928 624 013 03	Engine and transmission for window opener F 92ES8 61533>>	/L	1	
1A	928 624 014 04	Engine and transmission for window opener F >>92ES8 61532	/R	1	
(1A)	928 624 014 03	Engine and transmission for window opener F 92ES8 61533>>	/R	1	
1B	928 537 909 02	Power windows without Engine and transmission F >>92ES8 61532	/L	1	
1B	928 537 909 04	Power windows without Engine and transmission F 92ES8 61533>>	/L	1	
1B	928 537 910 02	Power windows without Engine and transmission F >>92ES8 61532	/R	1	
1B	928 537 910 04	Power windows without Engine and transmission F 92ES8 61533>>	/R	1	
1C	928 537 918 00	Roller		2	
1D	928 537 917 00	Bolt		2	
2	N 010 210 13	Hexagon-head bolt M 6 X 10		8	
3	N 012 226 5	Spring washer A 6		8	
4	928 537 263 02	Guide tube	/L	1	
(4)	928 537 264 02	Guide tube	/R	1	
5	900 186 011 02	Pan-head screw M 6 X 10		4	
6	900 151 007 02	Washer B 7,4		4	
6	900 151 007 03	Washer B 7,4		4	
7	N 012 006 4	Lock ring B 6		4	
8	928 537 259 02	Slide Lower	/L	2	
(8)	928 537 260 02	Slide Lower	/R	2	
9	928 537 289 02	Slide Upper	/L	2	
(9)	928 537 290 02	Slide Upper	/R	2	
10	900 075 016 02	Hexagon-head bolt M 6 X 22		4	
10	900 075 016 03	Hexagon-head bolt M 6 X 22		4	
11	N 011 524 7	Washer B 6,4		4	
11	N 011 524 27	Washer B 6,4		4	

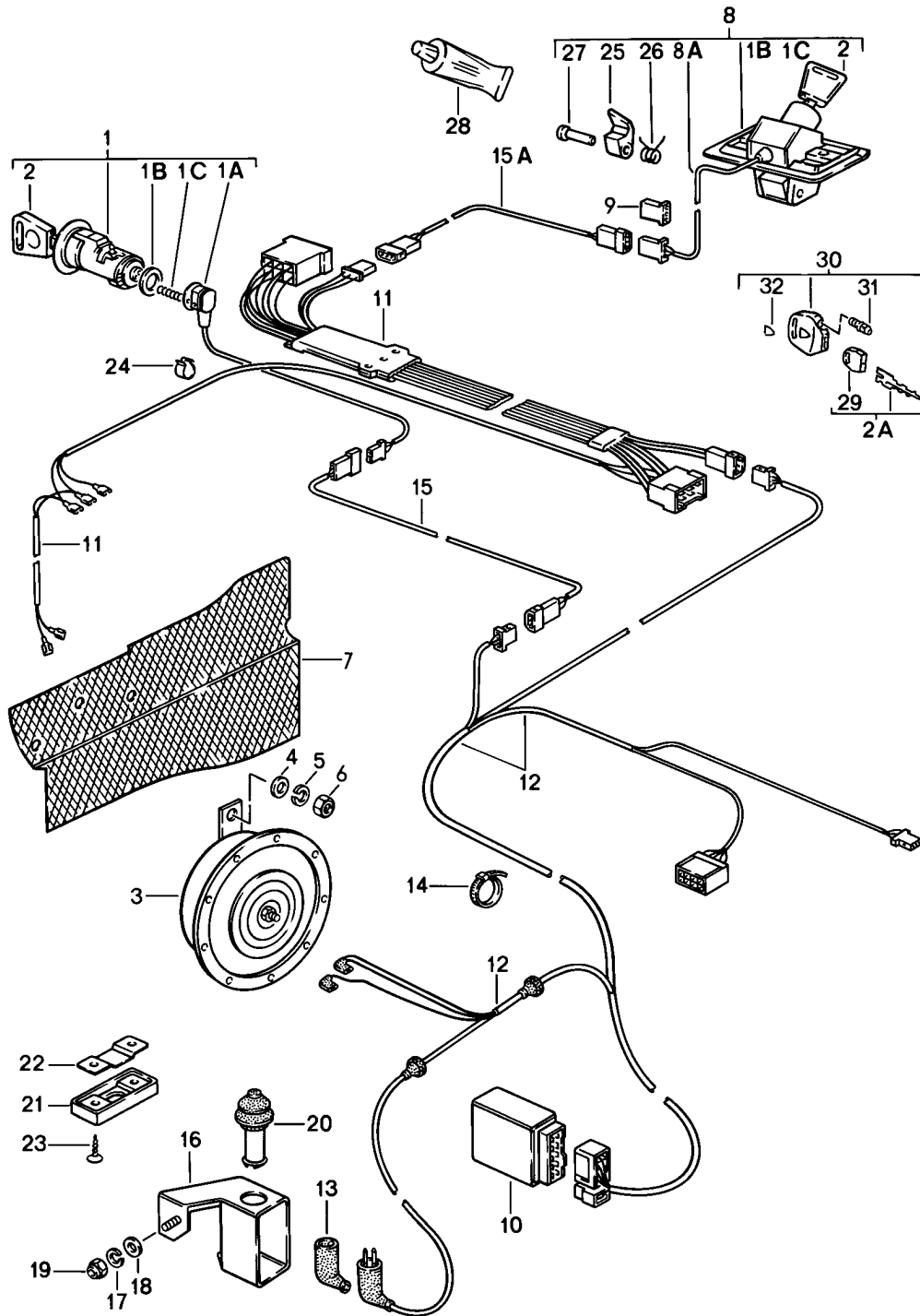
Model: 928 83

Model life 1983>>1986

Pos	Part Number	Description	Remark	Qty	Model
12	N 012 006 4	Lock ring B 6		4	
13	928 537 319 03	Sealing for door slot	/L	1	
(13)	928 537 320 03	Sealing for door slot	/R	1	
14	928 537 321 03	Sealing for door slot Outer	/L	1	
14	928 537 322 03	Sealing for door slot Outer	/R	1	
14	928 537 322 04	Sealing for door slot Outer	/R	1	
15	928 537 323 03	Window guide	/L 85-	1	
(15)	928 537 324 03	Window guide	/R -84	1	
(15)		Window guide	/R	1	
-	999 920 004 02	U-clamp		10	
16	928 537 085 03	Fleet angle		4	
17	N 014 761 2	Pan-head screw M 6 X 12		4	
17	900 119 129 01	Pan-head screw M 6 X 12		4	
18	N 012 226 5	Spring washer B 6		4	
18A	999 025 108 02	Washer 6,4		4	
19	928 537 285 02	Insert		2	
20	999 093 004 02	Hexagon-head bolt		6	

Model: 928 83

Model life 1983>>1986



Model: 928 83

Model life 1983>>1986

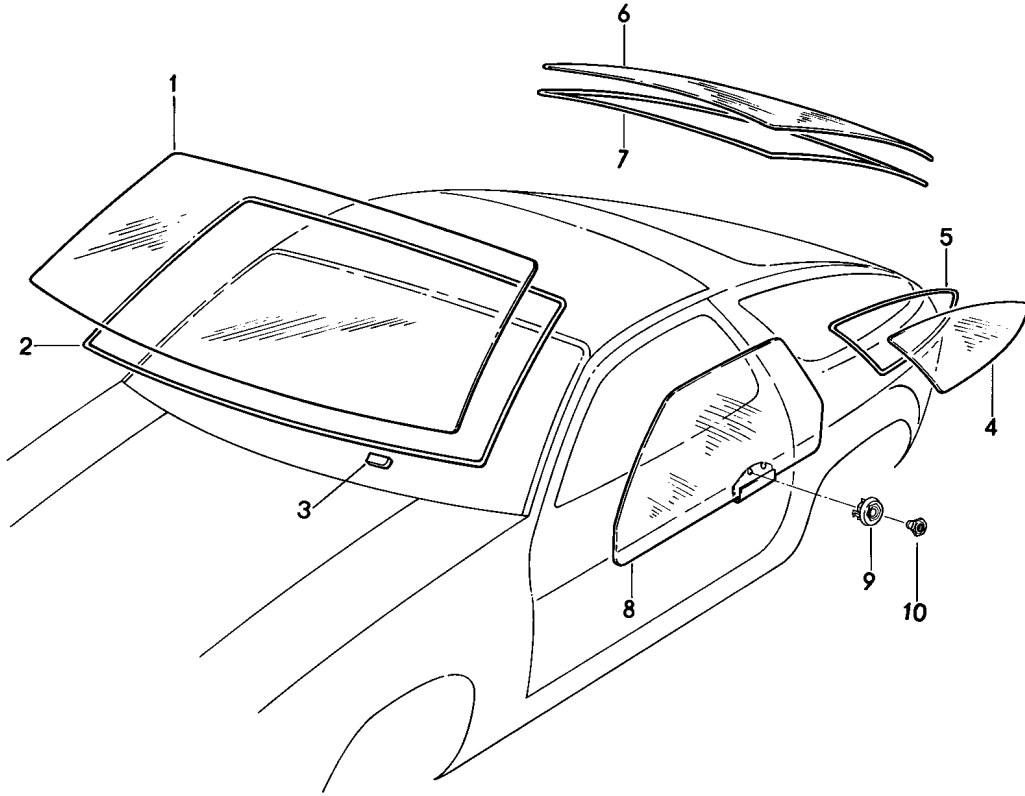
Pos	Part Number	Description	Remark	Qty	Model
1	928 537 906 02	Alarm system Door lock cylinder with Switch with stipulated lock number with 1 key State lock number	/R	1	
1	928 537 905 02	Door lock cylinder with Switch with stipulated lock number with 1 key State lock number	/L	1	
1	928 537 908 02	Door lock cylinder with W/o stipulated lock number Switch with 1 key	/R	1	
1	928 537 907 02	Door lock cylinder with Switch W/o stipulated lock number with 1 key	/L	1	
(1A)	928 537 713 02	Contact switch	/L	1	
1A	928 537 714 02	Contact switch	/R	1	
1B	928 537 493 02	Compression spring		3	
1C	928 537 495 03	Gasket		3	
2	928 537 019 02	Key with Light State lock number	-85	2	
-	928 537 624 02	Lid	-85	2	
-	928 537 625 02	Contact plate	-85	2	
-	928 537 626 02	Connecting lug	-85	2	
-	928 537 627 02	Pressure spring	-85	2	
-	928 537 628 02	Knob	-85	2	
-	928 537 630 02	Bulb	-85	2	
2	928 537 639 10	Blank key	-85	1	
2A	928 538 032 02	Key State lock number with stipulated lock number	86	3	
3	928 635 105 00	High volume horn		1	
4	900 025 008 09	Washer A 10,5		1	
4	900 025 008 04	Washer A 10,5		1	
5	900 027 016 02	Lock ring B 10		1	
5	900 027 016 03	Lock ring B 10		1	
6	N 011 010 6	Hexagon nut M 10		1	
6	N 101 552 10	Hexagon nut M 10		1	
7	928 504 353 02	Protective grille	/LL	1	
8	928 512 901 03	Lid lock with stipulated lock number with 1 key State lock number		1	
8	928 512 903 03	Lid lock Upper part W/o stipulated lock number with 1 key		1	

Model: 928 83 Model life 1983>>1986

Pos	Part Number	Description	Remark	Qty	Model
8A	928 512 070 02	Contact switch	/H	1	
9	171 971 999 B	Terminal sleeve housing		3	
10	928 618 117 00	Alarm control unit	83	1	
(10)	928 637 104 00	Alarm control unit	84-	1	
11	928 612 008 04	Wiring harness	-85	1	
(11)	928 612 008 06	Wiring harness	86	1	
12	928 612 182 02	Wiring harness	/LL -83	1	
(12)	928 612 182 03	Wiring harness	/LL 84	1	
(12)	928 612 182 04	Wiring harness	/LL 85-	1	
13	113 927 249	Protection cap		1	
14	999 513 003 40	Tie-wrap		4	
15	928 612 183 00	Wiring harness		2	
		Door	/L /R		
(15A)	928 612 187 00	Wiring harness	/LL	1	
		Rear lid			
16	928 637 101 01	Switch housing	-84	1	
(16)	928 637 021 00	Switch housing	85-	1	
17	N 012 005 3	Lock ring	-84	1	
		B 5			
18	N 011 665 3	Washer		1	
		A 5,3			
18	N 011 665 16	Washer		1	
		A 5,3			
19	N 011 005 14	Hexagon nut		1	
		M 5			
19	900 076 091 01	Hexagon nut		1	
		M 5			
20	928 613 173 00	Contact switch		1	
21	928 637 121 00	Protection cap		1	
22	928 637 123 00	Pressure plate		1	
23	N 014 098 6	Rais. counters. h. tap. s.		2	
		B 4,8 X 16			
24	999 591 465 02	Cable clamp		2	
25	928 512 161 03	Latch		1	
26	928 512 163 02	Spring		1	
27	928 512 165 02	Clinch pin		1	
28	000 043 204 21	Grease		1	
		for lock cylinder			
28	G 052 778 A2	Grease		1	
		for lock cylinder			
29	944 538 431 00	Key cap	86	3	
30	944 538 041 00	Key lamp	86	2	
30	944 538 041 01	Key lamp	86-	2	
31	928 537 630 02	Bulb		2	
32	944 538 443 00	Crest	86	2	

Model: 928 83

Model life 1983>>1986



Model: 928 83 Model life 1983>>1986

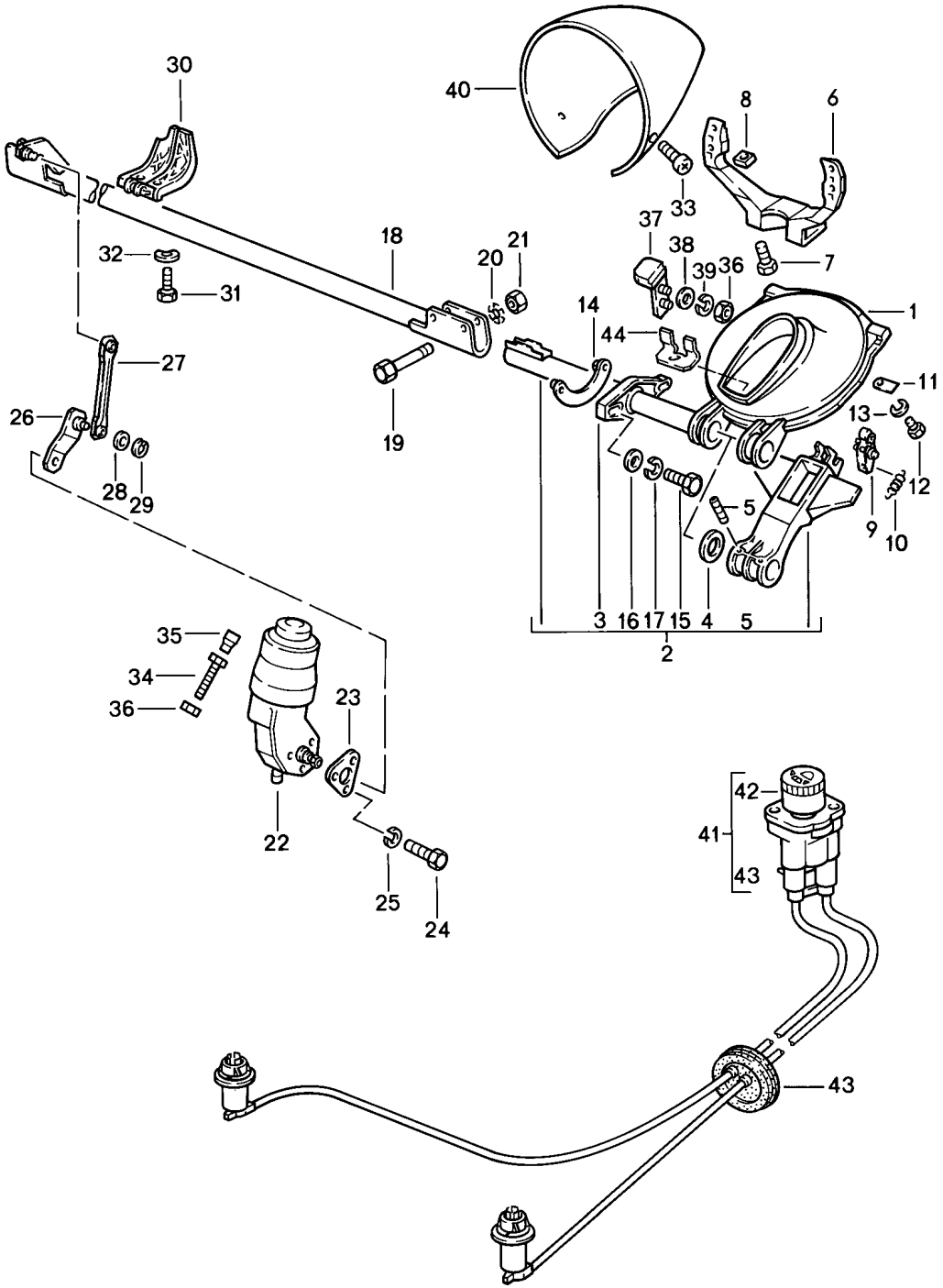
Pos	Part Number	Description	Remark	Qty	Model
1	928 541 011 06	window glazing Windscreen Clear	-84	1	
1	928 541 012 01	Windscreen Clear	-84	1	
1	928 541 011 12	Windscreen Clear	-84	1	
1	928 541 011 05	Windscreen Green Tinted	-84	1	
1	928 541 011 11	Windscreen Green Tinted	-84	1	
(1)	928 541 011 07	Windscreen Green top tint	-84	1	
(1)	928 541 013 01	Windscreen Green top tint		1	
(1)	928 541 011 13	Windscreen Green top tint	-84	1	
(1)	928 541 011 06	Windscreen Clear with Antenna	85	1	
(1)	928 541 012 01	Windscreen Clear with Antenna	85-	1	
(1)	928 541 017 04	Windscreen Sekuriflex Clear with Antenna	85-	1	
(1)	928 541 015 04	Windscreen Tinted with Antenna	85-	1	
(1)	928 541 015 05	Windscreen Tinted with Antenna	85-	1	
(1)	928 541 015 04	Windscreen Sekuriflex Tinted with Antenna	85-	1	
(1)	928 541 015 05	Windscreen Sekuriflex Tinted with Antenna	85-	1	
(1)	928 541 016 05	Windscreen Green top tint with Antenna	85-	1	
(1)	928 541 016 06	Windscreen Green top tint with Antenna	85-	1	
(1)		Windscreen Sekuriflex Green top tint with Antenna	85-	1	

Model: 928 83 Model life 1983>>1986

Pos	Part Number	Description	Remark	Qty	Model
-	911 541 112 02	Film for stickers	85-	X	
-		Film for stickers	85-	X	
2	477 898 011 A	Sealing set Windscreen		1	
3	928 541 121 04	Spacer		2	
4	928 543 105 08	Side window Tinted		1	M470
(4)	928 543 105 09	Side window Tinted	/L	1	
(4)	928 543 106 08	Side window Tinted		1	M470
(4)	928 543 106 09	Side window Tinted	/R	1	
5	928 543 037 04	Sealing frame		1	
(5)	928 543 038 04	Sealing frame without Rear spoiler		1	
(5)	928 543 045 04	Sealing frame	/L	1	
(5)	928 543 046 04	Sealing frame with Rear spoiler	/R	1	
6	928 545 018 03	Rear window Tinted	-85	1	
(6)	928 545 018 05	Rear window Tinted	86	1	
6	928 545 018 02	Rear window Tinted	-85	1	M470
(6)	928 545 018 04	Rear window Tinted	86	1	M470
7	477 898 011 A	Sealing set		1	
8	928 537 101 02	Door window glass Tinted	/L	1	
(8)	928 537 102 02	Door window glass Tinted	/R	1	
9	928 537 281 04	Fastening plug		4	
10	928 537 277 02	Threaded piece		4	
13	000 043 301 07	Primer PRIMER		X	

Model: 928 83

Model life 1983>>1986



Model: 928 83

Model life 1983>>1986

Pos	Part Number	Description	Remark	Qty	Model
1	928 750 243 05	Pop-up headlight		2	
2	928 750 097 05	Swivel frame		1	
2	928 750 098 05	Driving arm	/L	1	
3	928 750 211 04	Driving arm	/R	2	
3	928 750 211 06	Bearing		2	
4	928 750 253 02	Bearing		4	
5	900 095 085 02	Washer		4	
6	928 750 285 03	Spiral clamping pin		2	
7	900 067 011 02	Supporting arm		4	
7	900 067 011 03	Pan-head screw		4	
-	999 025 108 02	M 6 X 20		4	
8	900 076 010 02	Pan-head screw		4	
8	900 076 010 0B	M 6 X 20		4	
9	928 750 079 02	Washer		4	
10	928 750 291 02	6,5		2	
11	928 750 325 02	Nut		8	
12	999 015 004 02	Nut		8	
13	N 012 222 4	M 6		8	
14	928 750 071 02	Locking segment		2	
15	900 074 015 02	Tension spring		4	
15	900 074 015 03	Hexagon-head bolt		4	
16	N 011 666 7	M 6 X 30		4	
17	N 012 222 4	Hexagon-head bolt		4	
18	928 750 041 05	M 6 X 30		1	
19	900 075 343 02	Washer		4	
20	999 025 093 09	B 6,4		4	
21	900 910 012 02	Spring washer		4	
21	900 910 047 09	B 6		4	
22	928 624 021 00	Shaft		1	
23	928 750 207 02	Hexagon-head bolt		1	
24	999 072 005 09	M 6 X 45		3	
24	999 072 005 01	Washer		3	
25	N 012 222 4	Lock nut		3	
26	928 750 065 03	M 6		1	
27	928 750 067 02	Lock nut		1	
28	900 031 001 02	M 6		2	
28	900 031 105 01	Washer		2	
29	900 116 009 01	8,4		2	
30	928 750 055 02	Washer		1	
31	999 217 019 02	8,4		2	
32	N 012 226 5	Kl-lock		2	
		6			
		Guide		1	
		Hexagon-head bolt		2	
		M 6 X 12			
		Spring washer		2	

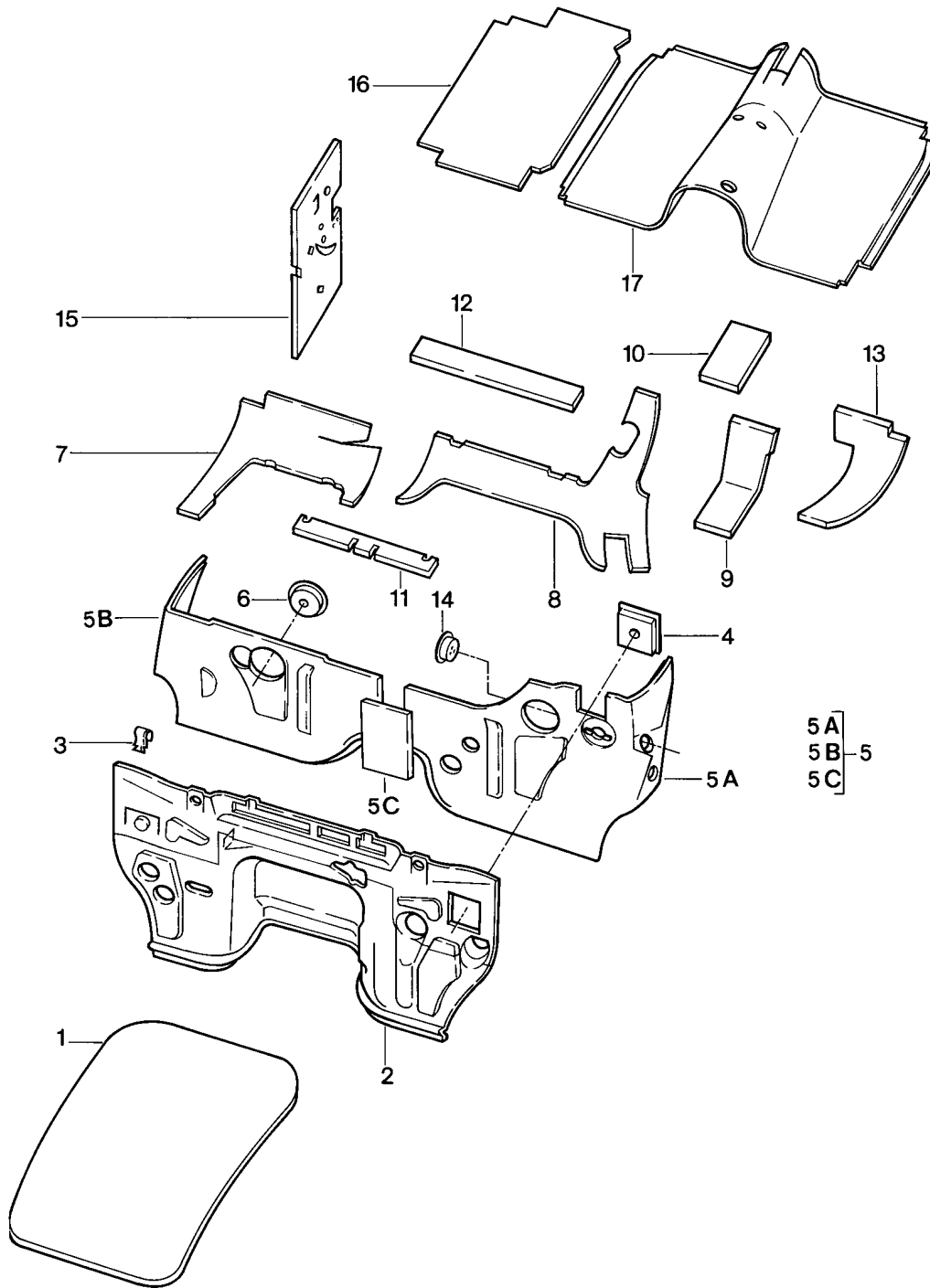
Model: 928 83

Model life 1983>>1986

Pos	Part Number	Description	Remark	Qty	Model
33	999 919 008 07	B6 Oval-head screw 4,0 X 13		1	
33	PCG 919 008 07	Oval-head screw Set 4,0 X 13 Pieces		10	
34	N 010 221 3	Hexagon-head bolt M 6 X 35		2	
35	914 504 319 00	Grommet		2	
36	900 076 010 02	Nut M 6		2	
36	900 076 010 0B	Nut M 6		2	
37	928 750 031 02	Stop bracket		2	
38	900 151 003 02	Washer A 6,4		4	
38	900 151 006 03	Washer A 6,4		4	
39	N 012 006 4	Lock ring B 6		4	
40	928 750 083 02	Housing		2	
-	928 799 750 07	Tension spring		2	
43	927 631 224 01	Grommet		1	
(44)	928 750 255 04	Bracket		2	

Model: 928 83

Model life 1983>>1986

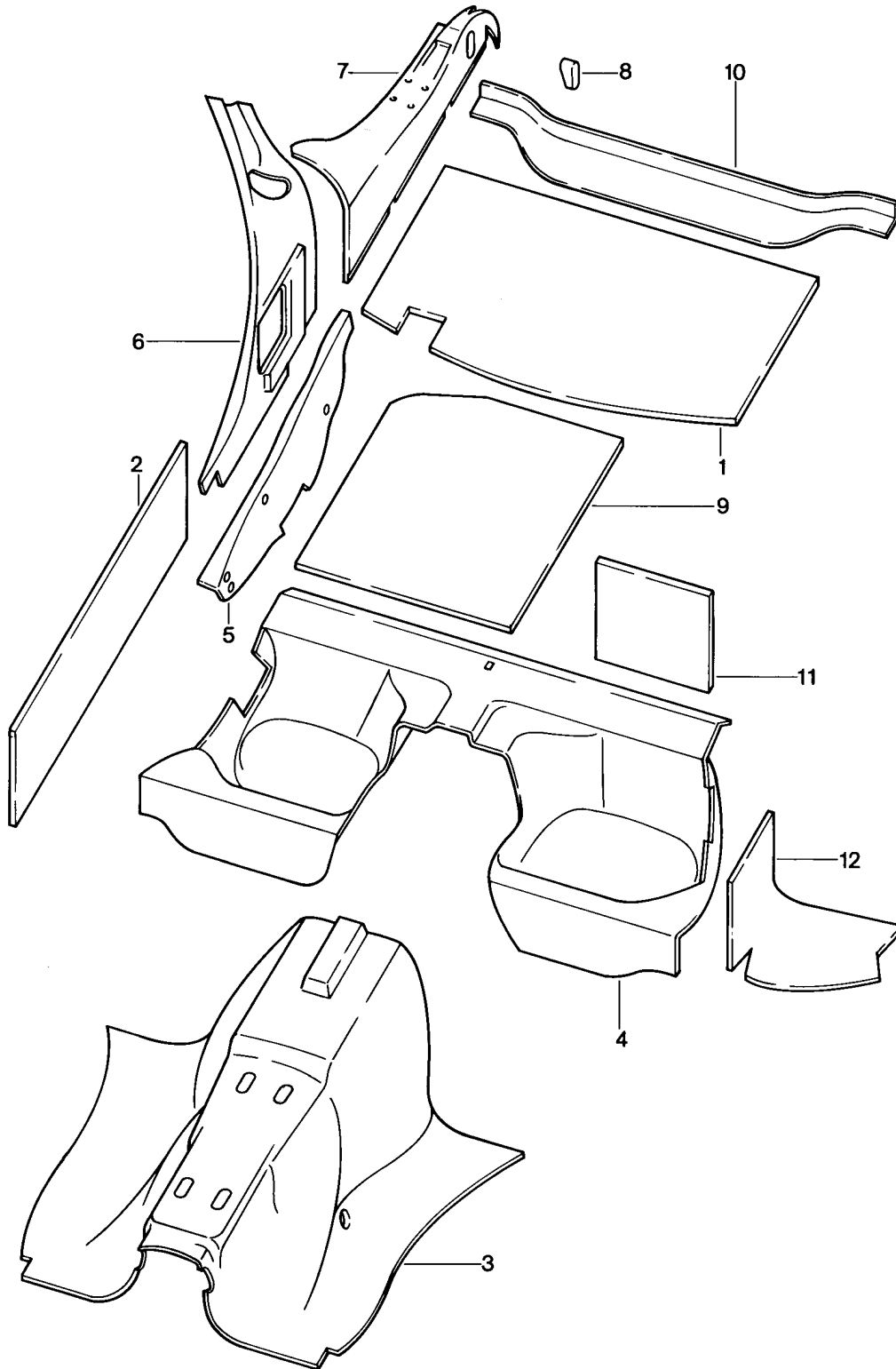


Model: 928 83 Model life 1983>>1986

Pos	Part Number	Description	Remark	Qty	Model
1	928 556 285 02	Body Sound proofing 1 Insulation	/H	1	
2	928 556 089 03	Bonnet Insulation		1	
2	928 556 089 06	Engine compartment F >>92GS8 60999 Insulation		1	
3	928 556 295 02	Engine compartment F 92GS8 61000>> Clamp		7	
4	928 556 057 03	Insert		1	
5	928 556 051 03	Firewall Insulation Firewall	/LL	1	
5A	928 556 061 04	F >>92DS8 61093 Sound absorber	/LL /L	1	
5B	928 556 062 06	Sound absorber	/LL /R	1	
5C	928 556 065 03	Firewall F 92DS8 61094>> Insulation		1	
6	928 556 063 05	Firewall Insert	-84	1	
(6)		Firewall Insert	85-	1	
7	928 556 155 04	Firewall		1	
8	928 556 159 06	Insulation	/LL	1	
9	928 556 169 04	Insulation	/LL	1	
10	928 556 171 04	Insert	/LL	1	
11	928 556 267 02	Brake booster Insulation		1	
12	928 556 387 03	Cross panel Insulation		1	
13	928 556 173 05	Heater Insulation	/LL	1	
14	928 556 075 06	Insert	/LL	1	
15	928 556 353 02	Headlight levelling system Insulation	/LL /L	1	
15	928 556 354 02	Insulation	/R	1	
(16)	928 556 291 03	Side section Insulation	/LL /L -84	1	
(16)	928 556 291 05	Insulation	/L	1	
(16)		Floor F >>92GS8 60999 Insulation	/L	1	
16	928 556 292 02	Floor F 92GS8 61000>> Insulation	/LL /R -84	1	
16	928 556 292 03	Sound absorber	/LL /R 85-	1	
17	928 556 031 02	Floor Insulation Tunnel		1	

Model: 928 83

Model life 1983>>1986



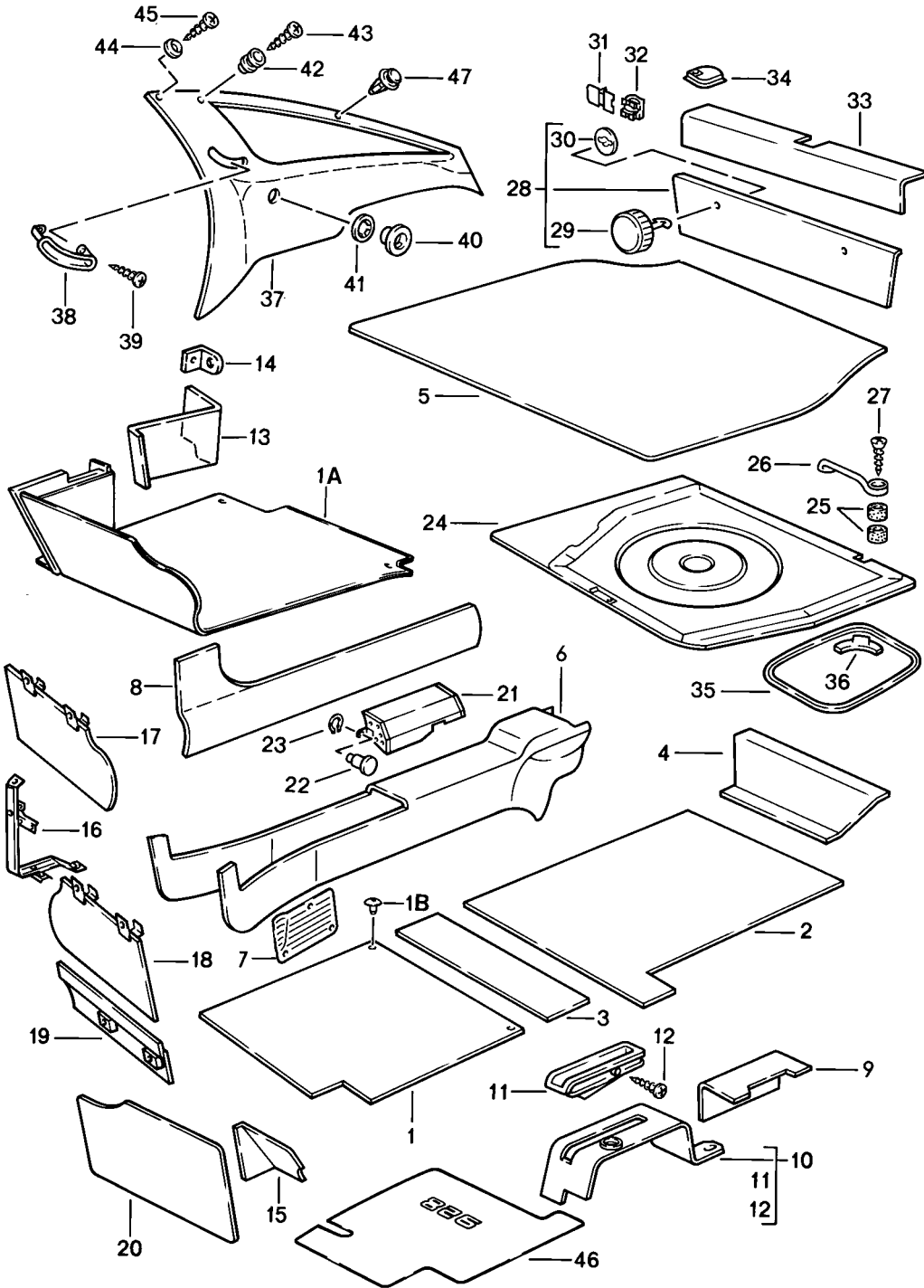
Model: 928 83

Model life 1983>>1986

Pos	Part Number	Description	Remark	Qty	Model
1	928 556 233 02	Body Sound proofing 2 Insulation		1	
2	928 556 235 02	Roof Insulation		2	
3	928 556 033 02	Door Insulation	-83	1	
3	928 556 033 03	Insulation	-83	1	AUT.
3		Insulation	84	1	
(3)	928 556 033 06	Insulation		1	
(3)		F >>92GS8 60999 Insulation		1	
		Tunnel F 92GS8 61000>>			
4	928 556 055 02	Insulation	-84	1	
(4)	928 556 055 03	Insulation		1	
		F >>92GS8 60999			
(4)	928 556 055 04	Insulation		1	
		Seat well F 92GS8 61000>>			
5	928 556 205 02	Insulation	/LL /L	1	
5	928 556 206 02	Insulation	/LL /R	1	
6	928 556 261 05	Insulation	/V /L	1	
6	928 556 262 05	Insulation	/V /R	1	
		Side section			
7	928 556 251 03	Insulation	/H /L	1	
7	928 556 252 03	Insulation	/H /R	1	
		Side section			
8	928 556 265 02	Insert		1	
		Side section			
9	928 556 239 02	Insulation		1	
		Boot floor plate			
10	928 556 289 02	Insulation		1	
		Terminal piece			
11	928 556 271 02	Insulation		2	
		Seat well			
12	928 556 273 02	Insulation	/L	1	
12	928 556 274 02	Insulation	/R	1	
		Seat well			

Model: 928 83

Model life 1983>>1986



Model: 928 83 Model life 1983>>1986

Pos	Part Number	Description	Remark	Qty	Model
1	928 551 011 03	Linings Carpet	/LL /L 83	1	
	928 551 011 03 70E	Black			
	928 551 011 03 30B	Blue			
	928 551 011 03 40E	Brown			
	928 551 011 03 2FL	Grey-beige			
	928 551 011 03 60A	Grey			
	928 551 011 03 80E	Burgundy			
	928 551 011 03 80S	Can-can-red			
	928 551 011 03 6JD	Dark green			
	928 551 011 03 1VD	Champagne			
(1)	928 551 012 03	Carpet	/LL /R 83	1	
	928 551 012 03 70E	Black			
	928 551 012 03 30B	Blue			
	928 551 012 03 40E	Brown			
	928 551 012 03 2FL	Grey-beige			
	928 551 012 03 60A	Grey			
	928 551 012 03 80E	Burgundy			
	928 551 012 03 80S	Can-can-red			
	928 551 012 03 6JD	Dark green			
	928 551 012 03 1VD	Champagne			
(1)	928 551 011 04	Carpet	/LL /L 84	1	
	928 551 011 04 70E	Black			
	928 551 011 04 30B	Blue			
	928 551 011 04 40E	Brown			
	928 551 011 04 2FL	Grey-beige			
	928 551 011 04 60A	Grey			
	928 551 011 04 80E	Burgundy			
	928 551 011 04 80S	Can-can-red			
	928 551 011 04 6JD	Dark green			
	928 551 011 04 1VD	Champagne			
1A	928 551 010 04	Carpet	/LL /R 84	1	
	928 551 010 04 70E	Black			
	928 551 010 04 30B	Blue			
	928 551 010 04 40E	Brown			
	928 551 010 04 2FL	Grey-beige			
	928 551 010 04 60A	Grey			
	928 551 010 04 80E	Burgundy			
	928 551 010 04 80S	Can-can-red			
	928 551 010 04 6JD	Dark green			
	928 551 010 04 1VD	Champagne			
(1)	928 551 011 05	Carpet	/L	1	
		F >>92GS8 60999			
	928 551 011 05 70E	Black			
	928 551 011 05 30B	Blue			
	928 551 011 05 40E	Brown			
	928 551 011 05 80E	Burgundy			
	928 551 011 05 8JK	Greyish green			
	928 551 011 05 2FL	Grey-beige	86		
	928 551 011 05 80S	Can-can-red			
	928 551 011 05 6JD	Dark green			
	928 551 011 05 1VD	Champagne			
	928 551 011 05 2YN	White			
	928 551 011 05 60A	Grey			
(1)	928 551 011 06	Carpet	/L	1	
		F 92GS8 61000>>			
	928 551 011 06 70E	Black			
	928 551 011 06 30B	Blue			
	928 551 011 06 40E	Brown			
	928 551 011 06 80E	Burgundy			
	928 551 011 06 8JK	Greyish green			
	928 551 011 06 2FL	Grey-beige	86		
	928 551 011 06 80S	Can-can-red			

Model: 928 83 Model life 1983>>1986

Pos	Part Number	Description	Remark	Qty	Model	
1A	928 551 011 06 6JD	Dark green				
	928 551 011 06 1VD	Champagne				
	928 551 011 06 2YN	White				
	928 551 011 06 60A	Grey				
	928 551 010 05	Carpet	/LL /R 85-	1		
	928 551 010 05 70E	Black				
	928 551 010 05 30B	Blue				
	928 551 010 05 40E	Brown				
	928 551 010 05 80E	Burgundy				
	928 551 010 05 8JK	Greyish green				
	928 551 010 05 2FL	Grey-beige	86			
	928 551 010 05 80S	Can-can-red				
	928 551 010 05 6JD	Dark green				
	928 551 010 05 1VD	Champagne				
1B	928 551 010 05 2YN	White				
	928 551 010 05 60A	Grey				
2	N 900 685 01	Push button	84-	4		
2	928 551 013 04	Carpet	/L -84	1		
	928 551 013 04 70E	Black				
	928 551 013 04 40E	Brown				
	928 551 013 04 30B	Blue				
	928 551 013 04 2FL	Grey-beige				
	928 551 013 04 60A	Grey				
	928 551 013 04 80E	Burgundy				
	928 551 013 04 80S	Can-can-red				
	928 551 013 04 6JD	Dark green				
	928 551 013 04 1VD	Champagne				
	(2)	928 551 014 04	Carpet	/R -84	1	
	(2)	928 551 014 04 70E	Black			
		928 551 014 04 40E	Brown			
		928 551 014 04 30B	Blue			
928 551 014 04 2FL		Grey-beige				
928 551 014 04 60A		Grey				
928 551 014 04 80E		Burgundy				
928 551 014 04 80S		Can-can-red				
928 551 014 04 6JD		Dark green				
928 551 014 04 1VD		Champagne				
(2)		928 551 013 05	Carpet	/L	1	
(2)		F >>92GS8 60999				
		928 551 013 05 70E	Black			
		928 551 013 05 30B	Blue			
		928 551 013 05 40E	Brown			
	928 551 013 05 80E	Burgundy				
	928 551 013 05 8JK	Greyish green				
	928 551 013 05 80S	Can-can-red				
	928 551 013 05 6JD	Dark green				
	928 551 013 05 1VD	Champagne				
	928 551 013 05 2YN	White				
	928 551 013 05 60A	Grey				
	(2)	928 551 014 05	Carpet	/R	1	
	(2)	F >>92GS8 60999				
		928 551 014 05 70E	Black			
928 551 014 05 30B		Blue				
928 551 014 05 40E		Brown				
928 551 014 05 80E		Burgundy				
928 551 014 05 8JK		Greyish green				
928 551 014 05 80S		Can-can-red				
928 551 014 05 6JD		Dark green				
928 551 014 05 1VD		Champagne				
928 551 014 05 2YN		White				
928 551 014 05 60A		Grey				
(2)		928 551 014 06	Carpet	/R 85	1	M570
928 551 014 06 70E		Black				

Model: 928 83 Model life 1983>>1986

Pos	Part Number	Description	Remark	Qty	Model
	928 551 014 06 30B	Blue			
	928 551 014 06 40E	Brown			
	928 551 014 06 80E	Burgundy			
	928 551 014 06 8JK	Greyish green			
	928 551 014 06 80S	Can-can-red			
	928 551 014 06 6JD	Dark green			
	928 551 014 06 1VD	Champagne			
	928 551 014 06 2YN	White			
	928 551 014 06 60A	Grey			
(2)	928 551 013 07	Carpet F 92GS8 61000>>	/L	1	
	928 551 013 07 70E	Black			
	928 551 013 07 40E	Brown			
	928 551 013 07 30B	Blue			
	928 551 013 07 8JK	Greyish green			
	928 551 013 07 60A	Grey			
	928 551 013 07 80E	Burgundy			
	928 551 013 07 2FL	Grey-beige			
	928 551 013 07 80S	Can-can-red			
	928 551 013 07 6JD	Dark green			
	928 551 013 07 1VD	Champagne			
	928 551 013 07 2YN	White			
(2)	928 551 014 07	Carpet F 92GS8 61000>>	/R	1	
	928 551 014 07 70E	Black			
	928 551 014 07 40E	Brown			
	928 551 014 07 30B	Blue			
	928 551 014 07 8JK	Greyish green			
	928 551 014 07 60A	Grey			
	928 551 014 07 80E	Burgundy			
	928 551 014 07 2FL	Grey-beige			
	928 551 014 07 80S	Can-can-red			
	928 551 014 07 6JD	Dark green			
	928 551 014 07 1VD	Champagne			
	928 551 014 07 2YN	White			
3	928 551 145 02	Lining Seat rail support	/L -84	1	
	928 551 145 02 70E	Black			
	928 551 145 02 40E	Brown			
	928 551 145 02 30B	Blue			
	928 551 145 02 2FL	Grey-beige			
	928 551 145 02 60A	Grey			
	928 551 145 02 80E	Burgundy			
	928 551 145 02 80S	Can-can-red			
	928 551 145 02 6JD	Dark green			
	928 551 145 02 1VD	Champagne			
(3)	928 551 146 02	Lining Seat rail support	/R -84	1	
	928 551 146 02 70E	Black			
	928 551 146 02 40E	Brown			
	928 551 146 02 30B	Blue			
	928 551 146 02 2FL	Grey-beige			
	928 551 146 02 60A	Grey			
	928 551 146 02 80E	Burgundy			
	928 551 146 02 80S	Can-can-red			
	928 551 146 02 6JD	Dark green			
	928 551 146 02 1VD	Champagne			
4	928 551 057 02	Lining Heel plate F >>92GS8 60999	/L	1	
	928 551 057 02 70E	Black			
	928 551 057 02 40E	Brown			
	928 551 057 02 30B	Blue			

Model: 928 83 Model life 1983>>1986

Pos	Part Number	Description	Remark	Qty	Model
(4)	928 551 057 02 2FL	Grey-beige	-84	1	
	928 551 057 02 8JK	Greyish green	85-		
	928 551 057 02 60A	Grey			
	928 551 057 02 80E	Burgundy			
	928 551 057 02 80S	Can-can-red			
	928 551 057 02 6JD	Dark green			
	928 551 057 02 1VD	Champagne			
	928 551 057 02 2YN	White	85		
	928 551 058 02	Lining	/R		
		Heel plate			
		F >>92GS8 60999			
	928 551 058 02 70E	Black			
	928 551 058 02 40E	Brown			
	928 551 058 02 30B	Blue			
(4)	928 551 058 02 2FL	Grey-beige	-84	1	
	928 551 058 02 8JK	Greyish green	85-		
	928 551 058 02 60A	Grey			
	928 551 058 02 80E	Burgundy			
	928 551 058 02 80S	Can-can-red			
	928 551 058 02 6JD	Dark green			
	928 551 058 02 1VD	Champagne			
	928 551 058 02 2YN	White	85		
	928 551 057 03	Lining	/L		
		Heel plate			
		F 92GS8 61000>>			
	928 551 057 03 70E	Black			
	928 551 057 03 40E	Brown			
	928 551 057 03 30B	Blue			
928 551 057 03 8JK	Greyish green				
(4)	928 551 057 03 60A	Grey		1	
	928 551 057 03 80E	Burgundy			
	928 551 057 03 2FL	Grey-beige			
	928 551 057 03 80S	Can-can-red			
	928 551 057 03 6JD	Dark green			
	928 551 057 03 1VD	Champagne			
	928 551 057 03 2YN	White			
	928 551 058 03	Lining	/R		
		Heel plate			
		F 92GS8 61000>>			
	928 551 058 03 70E	Black			
	928 551 058 03 40E	Brown			
	928 551 058 03 30B	Blue			
	928 551 058 03 8JK	Greyish green			
5	928 551 058 03 60A	Grey		1	
	928 551 058 03 80E	Burgundy			
	928 551 058 03 2FL	Grey-beige			
	928 551 058 03 80S	Can-can-red			
	928 551 058 03 6JD	Dark green			
	928 551 058 03 1VD	Champagne			
	928 551 058 03 2YN	White			
	928 551 061 03	Boot floor carpet			
	928 551 061 03 70E	Black			
	928 551 061 03 30B	Blue			
	928 551 061 03 40E	Brown			
	928 551 061 03 2FL	Grey-beige	-84,86		
	928 551 061 03 8JK	Greyish green	85-		
	928 551 061 03 60A	Grey			
6	928 551 061 03 80E	Burgundy		1	
	928 551 061 03 80S	Can-can-red			
	928 551 061 03 6JD	Dark green			
	928 551 061 03 1VD	Champagne			
	928 551 061 03 2YN	White	85-		
	928 551 113 02	Lining	-84		

Model: 928 83 Model life 1983>>1986

Pos	Part Number	Description	Remark	Qty	Model
		Tunnel			
	928 551 113 02 70E	Black			
	928 551 113 02 40E	Brown			
	928 551 113 02 30B	Blue			
	928 551 113 02 2FL	Grey-beige			
	928 551 113 02 60A	Grey			
	928 551 113 02 80E	Burgundy			
	928 551 113 02 80S	Can-can-red			
	928 551 113 02 6JD	Dark green			
	928 551 113 02 1VD	Champagne			
(6)	928 551 113 03	Lining	-84	1	AUT.
		Tunnel			
	928 551 113 03 70E	Black			
	928 551 113 03 40E	Brown			
	928 551 113 03 30B	Blue			
	928 551 113 03 2FL	Grey-beige			
	928 551 113 03 60A	Grey			
	928 551 113 03 80E	Burgundy			
	928 551 113 03 80S	Can-can-red			
	928 551 113 03 6JD	Dark green			
	928 551 113 03 1VD	Champagne			
(6)	928 551 113 05	Lining	85-	1	
		Tunnel			
	928 551 113 05 70E	Black			
	928 551 113 05 40E	Brown			
	928 551 113 05 30B	Blue			
	928 551 113 05 8JK	Greyish green			
	928 551 113 05 60A	Grey			
	928 551 113 05 80E	Burgundy			
	928 551 113 05 2FL	Grey-beige	86		
	928 551 113 05 80S	Can-can-red			
	928 551 113 05 6JD	Dark green			
	928 551 113 05 1VD	Champagne			
	928 551 113 05 2YN	White			
7	928 551 137 02	Scuff plate	/LL	1	
(8)	928 551 031 02	Lining	/LL /L -84	1	
		Side member			
	928 551 031 02 70E	Black			
	928 551 031 02 40E	Brown			
	928 551 031 02 30B	Blue			
	928 551 031 02 2FL	Grey-beige			
	928 551 031 02 60A	Grey			
	928 551 031 02 80E	Burgundy			
	928 551 031 02 80S	Can-can-red			
	928 551 031 02 6JD	Dark green			
	928 551 031 02 1VD	Champagne			
8	928 551 032 03	Lining	/LL /R 83	1	
		Side member			
	928 551 032 03 70E	Black			
	928 551 032 03 40E	Brown			
	928 551 032 03 30B	Blue			
	928 551 032 03 2FL	Grey-beige			
	928 551 032 03 60A	Grey			
	928 551 032 03 80E	Burgundy			
	928 551 032 03 80S	Can-can-red			
	928 551 032 03 6JD	Dark green			
	928 551 032 03 1VD	Champagne			
(8)	928 551 032 06	Lining	/LL /R 84	1	
		Side member			
	928 551 032 06 70E	Black			
	928 551 032 06 40E	Brown			
	928 551 032 06 30B	Blue			
	928 551 032 06 2FL	Grey-beige			

Model: 928 83 Model life 1983>>1986

Pos	Part Number	Description	Remark	Qty	Model
	928 551 032 06 60A	Grey			
	928 551 032 06 80E	Burgundy			
	928 551 032 06 80S	Can-can-red			
	928 551 032 06 6JD	Dark green			
	928 551 032 06 1VD	Champagne			
(8)	928 551 031 07	Lining	/L 85-	1	
		Side member			
	928 551 031 07 70E	Black			
	928 551 031 07 30B	Blue			
	928 551 031 07 40E	Brown			
	928 551 031 07 80E	Burgundy			
	928 551 031 07 8JK	Greyish green			
	928 551 031 07 2FL	Grey-beige	86		
	928 551 031 07 80S	Can-can-red			
	928 551 031 07 6JD	Dark green			
	928 551 031 07 1VD	Champagne			
	928 551 031 07 2YN	White			
(8)	928 551 031 07 60A	Grey			
	928 551 032 07	Lining	/R 85-	1	
		Side member			
	928 551 032 07 70E	Black			
	928 551 032 07 30B	Blue			
	928 551 032 07 40E	Brown			
	928 551 032 07 80E	Burgundy			
	928 551 032 07 8JK	Greyish green			
	928 551 032 07 2FL	Grey-beige	86		
	928 551 032 07 80S	Can-can-red			
	928 551 032 07 6JD	Dark green			
	928 551 032 07 1VD	Champagne			
	928 551 032 07 2YN	White			
	928 551 032 07 60A	Grey			
9	928 551 091 02	Lining	/LL	1	
		Parking-brake cable			
	928 551 091 02 70E	Black			
	928 551 091 02 40E	Brown			
	928 551 091 02 30B	Blue			
	928 551 091 02 2FL	Grey-beige	-84,86		
	928 551 091 02 8JK	Greyish green	85-		
	928 551 091 02 60A	Grey			
	928 551 091 02 80E	Burgundy			
	928 551 091 02 80S	Can-can-red			
	928 551 091 02 6JD	Dark green			
	928 551 091 02 1VD	Champagne			
	928 551 091 02 2YN	White	85-		
10	928 551 089 05	Lining	/LL	1	
		Handbrake			
	928 551 089 05 70E	Black			
	928 551 089 05 40E	Brown			
	928 551 089 05 30B	Blue			
	928 551 089 05 2FL	Grey-beige	-84,86		
	928 551 089 05 8JK	Greyish green	85-		
	928 551 089 05 60A	Grey			
	928 551 089 05 80E	Burgundy			
	928 551 089 05 80S	Can-can-red			
	928 551 089 05 6JD	Dark green			
	928 551 089 05 1VD	Champagne			
	928 551 089 05 2YN	White	85-		
11	928 551 325 02	Rosette		1	
12	900 143 001 02	Tapping screw		2	
		B 2,9 X 6,5			
13	928 551 069 02	Lining	/LL -83	1	
		First-aid kit			
	928 551 069 02 70E	Black			

Model: 928 83 Model life 1983>>1986

Pos	Part Number	Description	Remark	Qty	Model
	928 551 069 02 40E	Brown			
	928 551 069 02 30B	Blue			
	928 551 069 02 2FL	Grey-beige			
	928 551 069 02 60A	Grey			
	928 551 069 02 80E	Burgundy			
	928 551 069 02 80S	Can-can-red			
	928 551 069 02 6JD	Dark green			
	928 551 069 02 1VD	Champagne			
14	928 551 087 02	Tab	-83	1	
(14)	928 551 087 03	Fastening clip	84-	1	
15	928 551 035 02	Lining	/LL	1	
		Foot support			
	928 551 035 02 70E	Black			
	928 551 035 02 40E	Brown			
	928 551 035 02 30B	Blue			
	928 551 035 02 2FL	Grey-beige	-84,86		
	928 551 035 02 8JK	Greyish green	85-		
	928 551 035 02 60A	Grey			
	928 551 035 02 80E	Burgundy			
	928 551 035 02 80S	Can-can-red			
	928 551 035 02 6JD	Dark green			
	928 551 035 02 1VD	Champagne			
	928 551 035 02 2YN	White	85-		
16	928 551 073 04	Clip	/LL -84	2	
16	928 551 073 06	Clip	/LL 85-	2	
18	928 799 551 10	Foot support	/LL 83	1	
(18)	928 551 062 04	Foot support	/LL 84	1	
(18)	928 551 062 05	Foot support	/LL 85-	1	
		Upper part			
19	928 551 066 02	Foot support	/LL 83	1	
(19)	928 551 066 03	Foot support	/LL 84-	1	
		Lower part			
20	928 551 049 02	Lining	/LL	1	
		Firewall			
	928 551 049 02 70E	Black			
	928 551 049 02 40E	Brown			
	928 551 049 02 30B	Blue			
	928 551 049 02 2FL	Grey-beige	-84,86		
	928 551 049 02 8JK	Greyish green	85-		
	928 551 049 02 60A	Grey			
	928 551 049 02 80E	Burgundy			
	928 551 049 02 80S	Can-can-red			
	928 551 049 02 6JD	Dark green			
	928 551 049 02 1VD	Champagne			
	928 551 049 02 2YN	White	85-		
21	928 551 505 03	Cover	/LL	1	
	928 551 505 03 70E	Black			
	928 551 505 03 40E	Brown			
	928 551 505 03 30B	Blue			
	928 551 505 03 2FL	Grey-beige	-84,86		
	928 551 505 03 8JK	Greyish green	85-		
	928 551 505 03 60A	Grey			
	928 551 505 03 80E	Burgundy			
	928 551 505 03 80S	Can-can-red			
	928 551 505 03 6JD	Dark green			
	928 551 505 03 1VD	Champagne			
	928 551 505 03 2YN	White	85-		
22	900 253 005 07	Knurled screw		2	
		M 6 X 10			
23	N 012 406 2	Lock washer		2	
		6 X 0,7			
24	928 556 045 03	Spare wheel covering		1	
-	171 860 273 A	Retaining strap		1	

Model: 928 83 Model life 1983>>1986

Pos	Part Number	Description	Remark	Qty	Model
25	928 555 615 02	Spacer sleeve		8	
26	477 885 761	Retaining bar		4	
27	900 269 050 07	Countersunk-head screw M 5 X 25		8	
28	928 551 081 06	Plate for tools		1	
	928 551 081 06 70E	Black			
	928 551 081 06 40E	Brown			
	928 551 081 06 30B	Blue			
	928 551 081 06 2FL	Grey-beige	-84,86		
	928 551 081 06 8JK	Greyish green	85-		
	928 551 081 06 60A	Grey			
	928 551 081 06 80E	Burgundy			
	928 551 081 06 80S	Can-can-red			
	928 551 081 06 6JD	Dark green			
	928 551 081 06 1VD	Champagne			
	928 551 081 06 2YN	White	85-		
29	928 551 221 02	Knob		2	
30	999 591 483 40	Lock washer		2	
31	928 551 199 02	Cap		2	
32	928 551 203 02	Locking cam		2	
33	928 551 653 02	Lining		1	
		Terminal piece			
	928 551 653 02 70E	Black			
	928 551 653 02 40E	Brown			
	928 551 653 02 30B	Blue			
	928 551 653 02 2FL	Grey-beige	-84,86		
	928 551 653 02 8JK	Greyish green	85-		
	928 551 653 02 60A	Grey			
	928 551 653 02 80E	Burgundy			
	928 551 653 02 80S	Can-can-red			
	928 551 653 02 6JD	Dark green			
	928 551 653 02 1VD	Champagne			
	928 551 653 02 2YN	White	85-		
(34)	928 551 185 02	Rubber stop	/L	1	
34	928 551 186 02	Rubber stop	/R	1	
35	928 504 105 02	Gasket		1	
		Lid			
36	928 504 107 02	Sealing rubber		1	
		Battery cover			
(37)	928 555 021 04	Side trim panel with loudspeaker opening	/LL /L -85	1	
		Leatherette			
	928 555 021 04 05T	Black			
	928 555 021 04 1HH	Blue			
	928 555 021 04 4RB	Brown			
	928 555 021 04 3MX	Burgundy			
	928 555 021 04 5FX	Grey-beige	-84,86		
	928 555 021 04 4JX	Greyish green	85-		
(37)	927 555 021 04	Side trim panel	/L	1	
		with loudspeaker opening			
		Leatherette			
	927 555 021 04 05T	Black			
	927 555 021 04 1HH	Blue			
	927 555 021 04 4RB	Brown			
	927 555 021 04 3MX	Burgundy			
	927 555 021 04 5FX	Grey-beige	-84,86		
	927 555 021 04 4JX	Greyish green			
37	928 555 022 04	Side trim panel with loudspeaker opening	/R	1	
		Leatherette			
	928 555 022 04 05T	Black			
	928 555 022 04 1HH	Blue			

Model: 928 83 Model life 1983>>1986

Pos	Part Number	Description	Remark	Qty	Model
	928 555 022 04 4RB	Brown			
	928 555 022 04 3MX	Burgundy			
	928 555 022 04 5FX	Grey-beige	-84,86		
	928 555 022 04 4JX	Greyish green	85-		
(37)	928 555 021 07	Side trim panel with loudspeaker opening Leatherette	/L	1	
	928 555 021 07 05T	Black			
	928 555 021 07 1HH	Blue			
	928 555 021 07 4RB	Brown			
	928 555 021 07 3MX	Burgundy			
	928 555 021 07 5FX	Grey-beige			
	928 555 021 07 4JX	Greyish green			
37	928 555 022 07	Side trim panel with loudspeaker opening Leatherette	/R	1	
	928 555 022 07 05T	Black			
	928 555 022 07 1HH	Blue			
	928 555 022 07 4RB	Brown			
	928 555 022 07 3MX	Burgundy			
	928 555 022 07 5FX	Grey-beige			
	928 555 022 07 4JX	Greyish green			
(37)	928 555 921 00	Side trim panel with loudspeaker opening Leatherette	/L	1	M490
	928 555 921 00 05T	Black			
	928 555 921 00 1HH	Blue			
	928 555 921 00 4RB	Brown			
	928 555 921 00 3MX	Burgundy			
	928 555 921 00 5FX	Grey-beige			
	928 555 921 00 4JX	Greyish green			
(37)	928 555 922 00	Side trim panel with loudspeaker opening Leatherette	/R	1	M490
	928 555 922 00 05T	Black			
	928 555 922 00 1HH	Blue			
	928 555 922 00 4RB	Brown			
	928 555 922 00 3MX	Burgundy			
	928 555 922 00 5FX	Grey-beige			
	928 555 922 00 4JX	Greyish green			
(37)	927 555 021 52	Side trim panel with loudspeaker opening Leather F >>92GS8 61000	/L	1	
	927 555 021 52 KZ2	Black			
	927 555 021 52 KZ3	Blue			
	927 555 021 52 4RB	Brown			
	927 555 021 52 LG7	Burgundy			
	927 555 021 52 KZ4	Grey-beige	-84,86		
	927 555 021 52 QC2	Greyish green	85-		
	927 555 021 52 LG6	Dark green			
	927 555 021 52 LG4	Pearl white			
	927 555 021 52 LG5	Champagne			
	927 555 021 52 KZ6	Can-can-red			
	927 555 021 52 PY9	Ocean blue	85-		
	927 555 021 52 PZ1	Wild buffalo	85-		
(37)	928 555 022 52	Side trim panel with loudspeaker opening Leather F >>92GS8 61000	/R	1	
	928 555 022 52 KZ2	Black			
	928 555 022 52 KZ3	Blue			
	928 555 022 52 4RB	Brown			

Model: 928 83 Model life 1983>>1986

Pos	Part Number	Description	Remark	Qty	Model
	928 555 022 52 LG7	Burgundy			
	928 555 022 52 KZ4	Grey-beige	-84,86		
	928 555 022 52 QC2	Greyish green	85-		
	928 555 022 52 LG6	Dark green			
	928 555 022 52 LG4	Pearl white			
	928 555 022 52 LG5	Champagne			
	928 555 022 52 KZ6	Can-can-red			
	928 555 022 52 PY9	Ocean blue	85-		
	928 555 022 52 PZ1	Wild buffalo	85-		
(37)	928 555 021 54	Side trim panel with loudspeaker opening Leather	/LL /L -85	1	M490
	928 555 021 54 KZ2	Black			
	928 555 021 54 KZ3	Blue			
	928 555 021 54 4RB	Brown			
	928 555 021 54 LG7	Burgundy			
	928 555 021 54 KZ4	Grey-beige	-84,86		
	928 555 021 54 QC2	Greyish green	85-		
	928 555 021 54 LG6	Dark green			
	928 555 021 54 LG4	Pearl white			
	928 555 021 54 LG5	Champagne			
	928 555 021 54 KZ6	Can-can-red			
	928 555 021 54 PY9	Ocean blue	85-		
	928 555 021 54 PZ1	Wild buffalo	85-		
(37)	927 555 021 54	Side trim panel with loudspeaker opening Leather F >>92GS8 61000	/L	1	M490
	927 555 021 54 KZ2	Black			
	927 555 021 54 KZ3	Blue			
	927 555 021 54 4RB	Brown			
	927 555 021 54 LG7	Burgundy			
	927 555 021 54 KZ4	Grey-beige	-84,86		
	927 555 021 54 QC2	Greyish green			
	927 555 021 54 LG6	Dark green			
	927 555 021 54 LG4	Pearl white			
	927 555 021 54 LG5	Champagne			
	927 555 021 54 KZ6	Can-can-red			
	927 555 021 54 PY9	Ocean blue			
	927 555 021 54 PZ1	Wild buffalo			
(37)	928 555 022 54	Side trim panel with loudspeaker opening Leather F >>92GS8 61000	/R	1	M490
	928 555 022 54 KZ2	Black			
	928 555 022 54 KZ3	Blue			
	928 555 022 54 4RB	Brown			
	928 555 022 54 LG7	Burgundy			
	928 555 022 54 KZ4	Grey-beige	-84,86		
	928 555 022 54 QC2	Greyish green			
	928 555 022 54 LG6	Dark green			
	928 555 022 54 LG4	Pearl white			
	928 555 022 54 LG5	Champagne			
	928 555 022 54 KZ6	Can-can-red			
	928 555 022 54 PY9	Ocean blue			
	928 555 022 54 PZ1	Wild buffalo			
(37)	928 555 021 57	Side trim panel with loudspeaker opening Leather F 92GS8 61001>>	/L	1	
	928 555 021 57 KZ2	Black			
	928 555 021 57 LG7	Burgundy			
	928 555 021 57 QC2	Greyish green			

Model: 928 83 Model life 1983>>1986

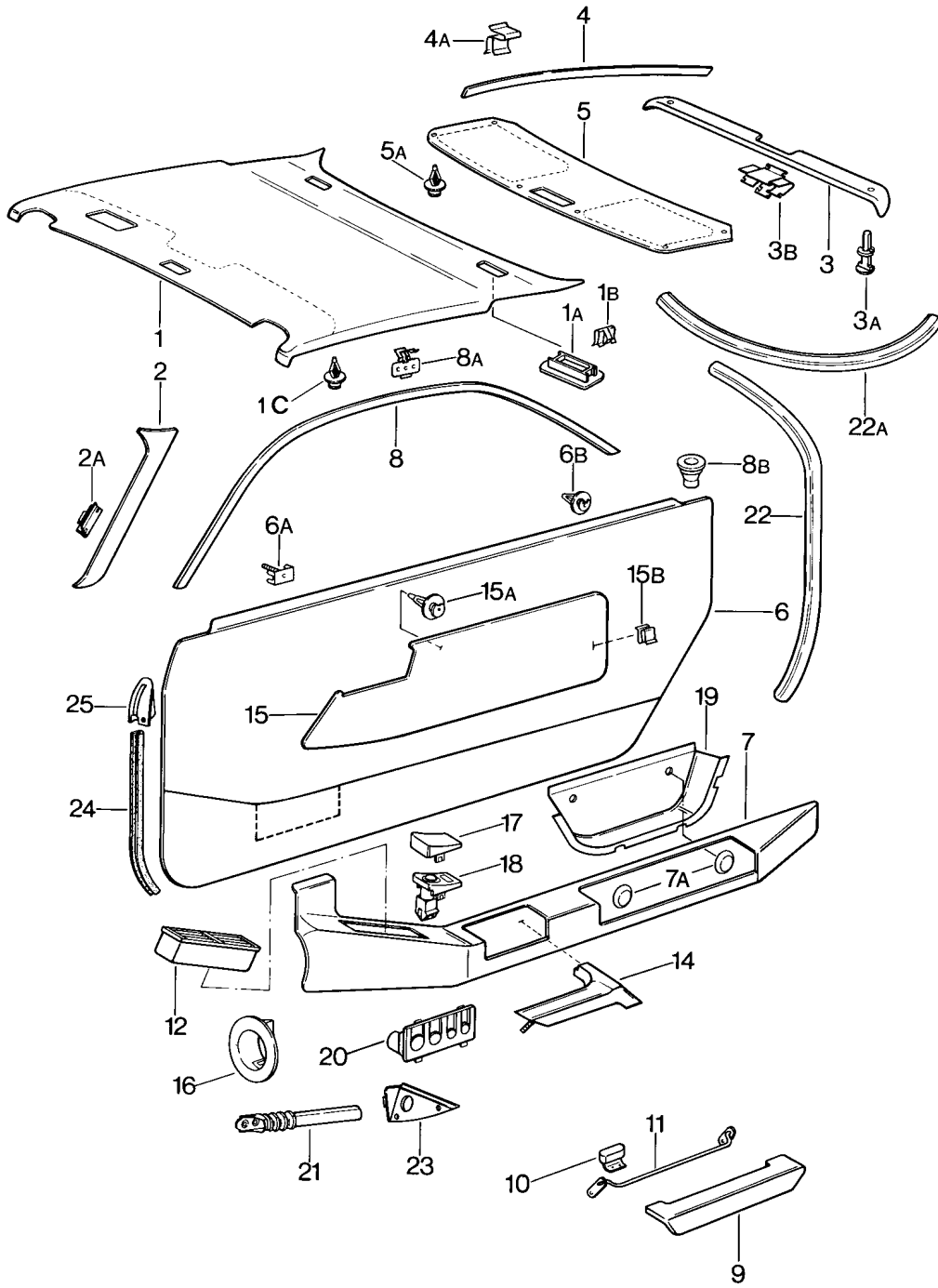
Pos	Part Number	Description	Remark	Qty	Model
	928 555 021 57 KZ3	Blue			
	928 555 021 57 4RB	Brown			
	928 555 021 57 KZ4	Grey-beige			
	928 555 021 57 LG6	Dark green			
	928 555 021 57 LG4	Pearl white			
	928 555 021 57 LG5	Champagne			
	928 555 021 57 KZ6	Can-can-red			
	928 555 021 57 PY9	Ocean blue			
	928 555 021 57 PZ1	Wild buffalo			
37	928 555 022 57	Side trim panel with loudspeaker opening Leather F 92GS8 61001>>	/R	1	
	928 555 022 57 KZ2	Black			
	928 555 022 57 LG7	Burgundy			
	928 555 022 57 QC2	Greyish green			
	928 555 022 57 KZ3	Blue			
	928 555 022 57 4RB	Brown			
	928 555 022 57 KZ4	Grey-beige			
	928 555 022 57 LG6	Dark green			
	928 555 022 57 LG4	Pearl white			
	928 555 022 57 LG5	Champagne			
	928 555 022 57 KZ6	Can-can-red			
	928 555 022 57 PY9	Ocean blue			
	928 555 022 57 PZ1	Wild buffalo			
(37)	928 555 921 01	Side trim panel with loudspeaker opening Leather F 92GS8 61001>>	/L	1	M490
	928 555 921 01 KZ2	Black			
	928 555 921 01 LG7	Burgundy			
	928 555 921 01 QC2	Greyish green			
	928 555 921 01 KZ3	Blue			
	928 555 921 01 4RB	Brown			
	928 555 921 01 KZ4	Grey-beige			
	928 555 921 01 LG6	Dark green			
	928 555 921 01 LG4	Pearl white			
	928 555 921 01 LG5	Champagne			
	928 555 921 01 KZ6	Can-can-red			
	928 555 921 01 PY9	Ocean blue			
	928 555 921 01 PZ1	Wild buffalo			
(37)	928 555 922 01	Side trim panel with loudspeaker opening Leather F 92GS8 61001>>	/R	1	M490
	928 555 922 01 KZ2	Black			
	928 555 922 01 LG7	Burgundy			
	928 555 922 01 QC2	Greyish green			
	928 555 922 01 KZ3	Blue			
	928 555 922 01 4RB	Brown			
	928 555 922 01 KZ4	Grey-beige			
	928 555 922 01 LG6	Dark green			
	928 555 922 01 LG4	Pearl white			
	928 555 922 01 LG5	Champagne			
	928 555 922 01 KZ6	Can-can-red			
	928 555 922 01 PY9	Ocean blue			
	928 555 922 01 PZ1	Wild buffalo			
38	928 555 275 03	Rosette Seat belt	/L -85	1	
(38)	928 555 276 03	Rosette Seat belt	/R -85	1	
38	928 555 275 04	Rosette Seat belt	/L 86	1	

Model: 928 83 Model life 1983>>1986

Pos	Part Number	Description	Remark	Qty	Model
(38)	928 555 275 04 70B 928 555 276 04	Black Rosette Seat belt	/R 86	1	
39	928 555 276 04 70B 900 143 007 02	Black Oval-head sheetmetal screw B 4,2 X 13		4	
39	900 073 507 01	Oval-head sheetmetal screw B 4,2 X 13		4	
40		See group 8/09/15 POS.9			
41		See group 8/09/15 POS.10			
42	928 555 469 03	Knob Coat hook		2	
43	900 145 091 07	Tapping screw B 4,8 X 32		2	
44	999 591 102 07	Protection washer		5	
45	900 145 062 07	Tapping screw B 3,5 X 25		5	
46	928 551 911 01	Floor mat with Logo	/LL /L	1	
	928 551 911 01 40A	Brown			
	928 551 911 01 70A	Black			
(46)	928 551 912 01	Floor mat with Logo	/LL /R	1	
	928 551 912 01 40A	Brown			
	928 551 912 01 70A	Black			
46	000 043 087 00	Floor mat 1 set	/LL	1	
	000 043 087 00 70E	Black			
	000 043 087 00 3KF	Blue			
	000 043 087 00 5MF	Brown			
	000 043 087 00 80E	Burgundy			
	000 043 087 00 60A	Grey			
47	823 867 299	Clip		6	
-	928 555 631 02	Luggage net		1	

Model: 928 83

Model life 1983>>1986



Model: 928 83 Model life 1983>>1986

Pos	Part Number	Description	Remark	Qty	Model
1	928 555 071 02	Door trim panel Rooflining Rooflining Leatherette	/LL -83	1	
	928 555 071 02 4RB	Brown			
	928 555 071 02 70A	Black			
	928 555 071 02 1HH	Blue			
	928 555 071 02 3MX	Burgundy			
(1)	928 555 071 07	Rooflining Leatherette	84-	1	
	928 555 071 07 70A	Black			
	928 555 071 07 4RB	Brown			
	928 555 071 07 1HH	Blue			
	928 555 071 07 3MX	Burgundy			
	928 555 071 07 2KA	Greyish green	85-		
(1)	928 555 071 50	Rooflining Leather	/LL -83	1	
	928 555 071 50 KZ2	Black			
	928 555 071 50 KZ3	Blue			
	928 555 071 50 4RB	Brown			
	928 555 071 50 LG7	Burgundy			
	928 555 071 50 LG6	Dark green			
(1)	928 555 071 53	Rooflining Leather	84-	1	
	928 555 071 53 KZ2	Black			
	928 555 071 53 4RB	Brown			
	928 555 071 53 KZ3	Blue			
	928 555 071 53 LG7	Burgundy			
	928 555 071 53 LG6	Dark green			
	928 555 071 53 QC2	Greyish green	85-		
	928 555 071 53 PY9	Ocean blue	85-		
	928 555 071 53 PZ1	Wild buffalo	85-		
1A	928 555 355 02	Cap		2	
1B	928 555 365 03	Spring clamp		4	
1C	823 867 299	Clip		15	
(2)	928 555 073 02	Lining Windscreen frame Leatherette	/L	1	
	928 555 073 02 70A	Black			
	928 555 073 02 30B	Blue			
	928 555 073 02 4RB	Brown			
	928 555 073 02 3MX	Burgundy			
	928 555 073 02 4JX	Greyish green	85-		
2	928 555 074 02	Lining Windscreen frame Leatherette	/R	1	
	928 555 074 02 70A	Black			
	928 555 074 02 30B	Blue			
	928 555 074 02 4RB	Brown			
	928 555 074 02 3MX	Burgundy			
	928 555 074 02 4JX	Greyish green	85-		
2	928 555 251 50	Lining Windscreen frame Leather	/L	1	
	928 555 251 50 KZ2	Black			
	928 555 251 50 KZ3	Blue			
	928 555 251 50 4RB	Brown			
	928 555 251 50 LG7	Burgundy			
	928 555 251 50 LG6	Dark green			
	928 555 251 50 QC2	Greyish green	85-		
	928 555 251 50 PY9	Ocean blue	85-		
	928 555 251 50 PZ1	Wild buffalo	85-		
2	928 555 252 50	Lining	/R	1	

Model: 928 83 Model life 1983>>1986

Pos	Part Number	Description	Remark	Qty	Model
		Windscreen frame			
		Leather			
	928 555 252 50 KZ2	Black			
	928 555 252 50 KZ3	Blue			
	928 555 252 50 4RB	Brown			
	928 555 252 50 LG7	Burgundy			
	928 555 252 50 LG6	Dark green			
	928 555 252 50 QC2	Greyish green	85-		
	928 555 252 50 PY9	Ocean blue	85-		
	928 555 252 50 PZ1	Wild buffalo	85-		
2A	999 591 749 02	Clamp		6	
(2A)		Clamp		4	
3	928 555 047 05	Lining	/H	1	
		Lid			
		Lower			
		Leatherette			
	928 555 047 05 05T	Black	-84		
	928 555 047 05 1HH	Blue	-84		
	928 555 047 05 4RB	Brown	-84		
	928 555 047 05 3MX	Burgundy	-84		
	928 555 047 05 5CT	Black	85-		
	928 555 047 05 8HT	Blue	85-		
	928 555 047 05 6RT	Brown	85-		
	928 555 047 05 1MA	Burgundy	85-		
	928 555 047 05 1JL	Greyish green	85-		
3	928 555 047 53	Lining	/H	1	
		Lid			
		Lower			
		Leather			
	928 555 047 53 KZ2	Black			
	928 555 047 53 KZ3	Blue			
	928 555 047 53 4RB	Brown			
	928 555 047 53 LG7	Burgundy			
	928 555 047 53 LG6	Dark green			
	928 555 047 53 QC2	Greyish green	85-		
	928 555 047 53 PY9	Ocean blue	85-		
	928 555 047 53 PZ1	Wild buffalo	85-		
3A	999 591 564 40	Expansion rivet		8	
		Black			
3B	928 555 438 02	Clamp		5	
4	928 555 037 02	Lining	/L	1	
		Lid			
		Leatherette			
	928 555 037 02 05T	Black	-84		
	928 555 037 02 1HH	Blue	-84		
	928 555 037 02 4RB	Brown	-84		
	928 555 037 02 3MX	Burgundy	-84		
	928 555 037 02 5CT	Black	85-		
	928 555 037 02 8HT	Blue	85-		
	928 555 037 02 6RT	Brown	85-		
	928 555 037 02 1MA	Burgundy	85-		
	928 555 037 02 1JL	Greyish green	85-		
(4)	928 555 038 02	Lining	/R	1	
		Lid			
		Leatherette			
	928 555 038 02 05T	Black	-84		
	928 555 038 02 1HH	Blue	-84		
	928 555 038 02 4RB	Brown	-84		
	928 555 038 02 3MX	Burgundy	-84		
	928 555 038 02 5CT	Black	85-		
	928 555 038 02 8HT	Blue	85-		
	928 555 038 02 6RT	Brown	85-		
	928 555 038 02 1MA	Burgundy	85-		

Model: 928 83 Model life 1983>>1986

Pos	Part Number	Description	Remark	Qty	Model			
(4)	928 555 038 02 1JL	Greyish green	85-	1				
	928 555 037 50	Lining	/L					
		Lid						
		Leather						
	928 555 037 50 KZ2	Black						
	928 555 037 50 KZ3	Blue						
	928 555 037 50 4RB	Brown						
	928 555 037 50 LG7	Burgundy						
	928 555 037 50 LG6	Dark green						
	928 555 037 50 QC2	Greyish green	85-					
	928 555 037 50 PY9	Ocean blue	85-					
	928 555 037 50 PZ1	Wild buffalo	85-					
	4	928 555 038 50	Lining			/R	1	
		Lid						
		Leather						
928 555 038 50 KZ2		Black						
928 555 038 50 KZ3		Blue						
928 555 038 50 4RB		Brown						
928 555 038 50 LG7		Burgundy						
928 555 038 50 LG6		Dark green						
928 555 038 50 QC2		Greyish green	85-					
928 555 038 50 PY9		Ocean blue	85-					
928 555 038 50 PZ1		Wild buffalo	85-					
4A		928 555 437 02	Clamp		12			
5		928 555 527 02	Lining	/H	1			
		Lid						
		Upper						
		Leatherette						
	928 555 527 02 70A	Black	-84					
	928 555 527 02 1HH	Blue	-84					
	928 555 527 02 4RB	Brown	-84					
	928 555 527 02 3MX	Burgundy	-84					
	928 555 527 02 5CT	Black	85-					
	928 555 527 02 8HT	Blue	85-					
	928 555 527 02 6RT	Brown	85-					
	928 555 527 02 1MA	Burgundy	85-					
	928 555 527 02 1JL	Greyish green	85-					
(5)	928 555 527 50	Lining	/H	1				
		Lid						
		Upper						
		Leather						
	928 555 527 50 KZ2	Black						
	928 555 527 50 KZ3	Blue						
	928 555 527 50 4RB	Brown						
	928 555 527 50 LG7	Burgundy						
	928 555 527 50 LG6	Dark green						
	928 555 527 50 QC2	Greyish green	85-					
	928 555 527 50 PY9	Ocean blue	85-					
	928 555 527 50 PZ1	Wild buffalo	85-					
	5A	999 591 559 40	Clip				8	
(6)	928 555 015 03	Door trim panel	/L	1				
		Leatherette/carpet						
	928 555 015 03 BB2	Black/black						
	928 555 015 03 LB3	Blue/blue						
	928 555 015 03 LA9	Brown/brown						
	928 555 015 03 JP8	Burgundy/burgundy						
	928 555 015 03 JN9	Grey-beige/grey-beige	-84,86					
	928 555 015 03 JM6	Black/ Grey						
	928 555 015 03 QC6	Greyish green/grey-green	85-					
	928 555 016 03	Door trim panel	/R					
		Leatherette/carpet						
	928 555 016 03 BB2	Black/black						

Model: 928 83 Model life 1983>>1986

Pos	Part Number	Description	Remark	Qty	Model
	928 555 016 03 LB3	Blue/blue			
	928 555 016 03 LA9	Brown/brown			
	928 555 016 03 JP8	Burgundy/burgundy			
	928 555 016 03 JN9	Grey-beige/grey-beige	-84,86		
	928 555 016 03 JM6	Black/ Grey			
(6)	928 555 016 03 QC6	Greyish green/grey-green	85-		
	928 555 015 08	Door trim panel Leatherette/carpet	/L	1	M490
	928 555 015 08 BB2	Black/black			
	928 555 015 08 LB3	Blue/blue			
	928 555 015 08 LA9	Brown/brown			
	928 555 015 08 JP8	Burgundy/burgundy			
	928 555 015 08 JN9	Grey-beige/grey-beige	-84,86		
	928 555 015 08 JM6	Black/ Grey			
(6)	928 555 015 08 QC6	Greyish green/grey-green	85-		
	928 555 016 08	Door trim panel Leatherette/carpet	/R	1	M490
	928 555 016 08 BB2	Black/black			
	928 555 016 08 LB3	Blue/blue			
	928 555 016 08 LA9	Brown/brown			
	928 555 016 08 JP8	Burgundy/burgundy			
	928 555 016 08 JN9	Grey-beige/grey-beige	-84,86		
	928 555 016 08 JM6	Black/ Grey			
(6)	928 555 016 08 QC6	Greyish green/grey-green	85-		
	928 555 015 54	Door trim panel Leather/carpet	/L	1	
	928 555 015 54 LA2	Black/black			
	928 555 015 54 LA6	Blue/blue			
	928 555 015 54 LA4	Brown/brown			
	928 555 015 54 LL1	Burgundy/burgundy			
	928 555 015 54 LL2	Grey-beige/grey-beige	-84,86		
	928 555 015 54 LG6	Dark green/dark green	-84		
	928 555 015 54 LK9	Black/ Grey			
	928 555 015 54 QD1	Dark green/dark green	85-		
	928 555 015 54 QC7	Greyish green/grey-green	85-		
	928 555 015 54 QC9	Can-can-red/can-can-red			
	928 555 015 54 LG8	Can-can-red/ Black			
	928 555 015 54 QB9	Pearl white/white	85-		
	928 555 015 54 LJ7	Pearl white/black			
	928 555 015 54 LL7	Pearl white/ Blue			
	928 555 015 54 LL8	Pearl white/burgundy			
	928 555 015 54 QC3	Pearl white/ Greyish green	85-		
	928 555 015 54 QC8	Champagne/champagne			
	928 555 015 54 LL9	Champagne/black			
	928 555 015 54 LM1	Champagne/brown			
	928 555 015 54 LM2	Champagne/ Blue			
	928 555 015 54 QC4	Ocean blue/ Blue	85-		
(6)	928 555 015 54 QC5	Wild buffalo/brown			
	928 555 016 54	Door trim panel Leather/carpet	/R	1	
	928 555 016 54 LA2	Black/black			
	928 555 016 54 LA6	Blue/blue			
	928 555 016 54 LA4	Brown/brown			
	928 555 016 54 LL1	Burgundy/burgundy			

Model: 928 83 Model life 1983>>1986

Pos	Part Number	Description	Remark	Qty	Model
	928 555 016 54 LL2	Grey-beige/grey-beige	-84,86		
	928 555 016 54 LG6	Dark green/dark green	-84		
	928 555 016 54 LK9	Black/ Grey			
	928 555 016 54 QD1	Dark green/dark green	85-		
	928 555 016 54 QC7	Greyish green/grey-green	85-		
	928 555 016 54 QC9	Can-can-red/can-can-red			
	928 555 016 54 LG8	Can-can-red/ Black			
	928 555 016 54 QB9	Pearl white/white	85-		
	928 555 016 54 LJ7	Pearl white/black			
	928 555 016 54 LL7	Pearl white/ Blue			
	928 555 016 54 LL8	Pearl white/burgundy			
	928 555 016 54 QC3	Pearl white/ Greyish green	85-		
	928 555 016 54 QC8	Champagne/champagne			
	928 555 016 54 LL9	Champagne/black			
	928 555 016 54 LM1	Champagne/brown			
	928 555 016 54 LM2	Champagne/ Blue			
	928 555 016 54 QC4	Ocean blue/ Blue	85-		
(6)	928 555 016 54 QC5	Wild buffalo/brown			
	928 555 015 56	Door trim panel Leather/carpet	/L	1	M490
	928 555 015 56 LA2	Black/black			
	928 555 015 56 LA6	Blue/blue			
	928 555 015 56 LA4	Brown/brown			
	928 555 015 56 LL1	Burgundy/burgundy			
	928 555 015 56 LL2	Grey-beige/grey-beige	-84,86		
	928 555 015 56 LG6	Dark green/dark green	-84		
	928 555 015 56 LK9	Black/ Grey			
	928 555 015 56 QD1	Dark green/dark green	85-		
	928 555 015 56 QC7	Greyish green/grey-green	85-		
	928 555 015 56 QC9	Can-can-red/can-can-red			
	928 555 015 56 LG8	Can-can-red/ Black			
	928 555 015 56 QB9	Pearl white/white	85-		
	928 555 015 56 LJ7	Pearl white/black			
	928 555 015 56 LL7	Pearl white/ Blue			
	928 555 015 56 LL8	Pearl white/burgundy			
	928 555 015 56 QC3	Pearl white/ Greyish green	85-		
	928 555 015 56 QC8	Champagne/champagne			
	928 555 015 56 LL9	Champagne/black			
	928 555 015 56 LM1	Champagne/brown			
	928 555 015 56 LM2	Champagne/ Blue			
	928 555 015 56 QC4	Ocean blue/ Blue			
(6)	928 555 015 56 QC5	Wild buffalo/brown			
	928 555 016 56	Door trim panel Leather/carpet	/R	1	M490
	928 555 016 56 LA2	Black/black			
	928 555 016 56 LA6	Blue/blue			
	928 555 016 56 LA4	Brown/brown			
	928 555 016 56 LL1	Burgundy/burgundy			
	928 555 016 56 LL2	Grey-beige/grey-beige	-84,86		
	928 555 016 56 LG6	Dark green/dark green	-84		
	928 555 016 56 LK9	Black/ Grey			

Model: 928 83 Model life 1983>>1986

Pos	Part Number	Description	Remark	Qty	Model
		Grey			
	928 555 016 56 QD1	Dark green/dark green	85-		
	928 555 016 56 QC7	Greyish green/grey-green	85-		
	928 555 016 56 QC9	Can-can-red/can-can-red			
	928 555 016 56 LG8	Can-can-red/ Black			
	928 555 016 56 QB9	Pearl white/white	85-		
	928 555 016 56 LJ7	Pearl white/black			
	928 555 016 56 LL7	Pearl white/ Blue			
	928 555 016 56 LL8	Pearl white/burgundy			
	928 555 016 56 QC3	Pearl white/ Greyish green	85-		
	928 555 016 56 QC8	Champagne/champagne			
	928 555 016 56 LL9	Champagne/black			
	928 555 016 56 LM1	Champagne/brown			
	928 555 016 56 LM2	Champagne/ Blue			
	928 555 016 56 QC4	Ocean blue/ Blue			
	928 555 016 56 QC5	Wild buffalo/brown			
6A	999 591 461 01	Fastening clamp		8	
		Loudspeaker			
6B	823 867 299	Clip		4	
(6B)	433 867 299 A	Clip		22	
(7)	928 555 901 02	Armrest	/L	1	
		Leatherette			
	928 555 901 02 05T	Black			
	928 555 901 02 30B	Blue			
	928 555 901 02 4RB	Brown			
	928 555 901 02 3MX	Burgundy			
	928 555 901 02 4JX	Greyish green	85-		
7	928 555 902 02	Armrest	/R	1	
		Leatherette			
	928 555 902 02 05T	Black			
	928 555 902 02 30B	Blue			
	928 555 902 02 4RB	Brown			
	928 555 902 02 3MX	Burgundy			
	928 555 902 02 4JX	Greyish green	85-		
(7)	928 555 901 50	Armrest	/L	1	
		Leather			
	928 555 901 50 KZ2	Black			
	928 555 901 50 KZ3	Blue			
	928 555 901 50 4RB	Brown			
	928 555 901 50 7LD	Burgundy			
	928 555 901 50 LG6	Dark green			
	928 555 901 50 QC2	Greyish green	85-		
	928 555 901 50 PY9	Ocean blue	85-		
	928 555 901 50 PZ1	Wild buffalo	85-		
7	928 555 902 50	Armrest	/R	1	
		Leather			
	928 555 902 50 KZ2	Black			
	928 555 902 50 KZ3	Blue			
	928 555 902 50 4RB	Brown			
	928 555 902 50 7LD	Burgundy			
	928 555 902 50 LG6	Dark green			
	928 555 902 50 QC2	Greyish green	85-		
	928 555 902 50 PY9	Ocean blue	85-		
	928 555 902 50 PZ1	Wild buffalo	85-		
7A	928 555 383 02	Cap		4	
(8)	928 555 025 02	Lining	/L	1	
		Door frame			
		Leatherette			

Model: 928 83 Model life 1983>>1986

Pos	Part Number	Description	Remark	Qty	Model	
8	928 555 025 02 70A	Black		1		
	928 555 025 02 1HH	Blue				
	928 555 025 02 4RB	Brown				
	928 555 025 02 3MX	Burgundy				
	928 555 025 02 5FX	Grey-beige	-84,86			
	928 555 025 02 2KA	Greyish green	85-			
	928 555 026 02	Lining	/R			
		Door frame				
		Leatherette				
		928 555 026 02 70A	Black			
(8)	928 555 026 02 1HH	Blue		1		
	928 555 026 02 4RB	Brown				
	928 555 026 02 3MX	Burgundy				
	928 555 026 02 5FX	Grey-beige	-84,86			
	928 555 026 02 2KA	Greyish green	85-			
	928 555 025 50	Lining	/L			
		Door frame				
		Leather				
		928 555 025 50 KZ2	Black			
		928 555 025 50 KZ3	Blue			
(8)	928 555 025 50 KZ5	Brown		1		
	928 555 025 50 LG6	Dark green				
	928 555 025 50 KZ4	Grey-beige	-84,86			
	928 555 025 50 LG7	Burgundy				
	928 555 025 50 QC2	Greyish green	85-			
	928 555 025 50 KZ6	Can-can-red	85-			
	928 555 025 50 LG4	Pearl white	85-			
	928 555 025 50 LG5	Champagne	85-			
	928 555 025 50 PY9	Ocean blue	85-			
	928 555 025 50 PZ1	Wild buffalo	85-			
928 555 026 50	Lining	/R				
8A		Door frame		14		
		Leather				
		928 555 026 50 KZ2	Black			
		928 555 026 50 KZ3	Blue			
		928 555 026 50 KZ5	Brown			
		928 555 026 50 LG6	Dark green			
		928 555 026 50 KZ4	Grey-beige			-84,86
		928 555 026 50 LG7	Burgundy			
		928 555 026 50 QC2	Greyish green			85-
		928 555 026 50 KZ6	Can-can-red			85-
(8A)	928 555 026 50 LG4	Pearl white	85-	14		
	928 555 026 50 LG5	Champagne	85-			
8B	928 555 026 50 PY9	Ocean blue	85-	2		
	928 555 026 50 PZ1	Wild buffalo	85-			
9	928 555 493 02	Clamp	-85	2		
	999 591 760 02	Clamp	86			
9	928 555 569 02	Guide bush		2		
	928 555 043 03	Lid				
		Armrest				
		Leatherette				
		928 555 043 03 05T	Black			
		928 555 043 03 30B	Blue			
		928 555 043 03 4RB	Brown			
		928 555 043 03 3MX	Burgundy			
		928 555 043 03 4JX	Greyish green			85-
		928 555 233 50	Lid			
	Armrest					
	Leather					
	928 555 233 50 KZ2	Black				
	928 555 233 50 KZ3	Blue				
	928 555 233 50 4RB	Brown				
	928 555 233 50 LL1	Burgundy				

Model: 928 83 Model life 1983>>1986

Pos	Part Number	Description	Remark	Qty	Model
	928 555 233 50 6JD	Dark green			
	928 555 233 50 QC2	Greyish green	85-		
	928 555 233 50 PY9	Ocean blue	85-		
	928 555 233 50 PZ1	Wild buffalo	85-		
10	928 555 607 02	Key		2	
10		Key		2	
	928 555 607 02 70B	Black			
(11)	928 555 553 02	Steering linkage	/L	1	
11	928 555 554 02	Steering linkage	/R	1	
(12)	928 574 087 02	Side vent	/L	1	
12	928 574 088 02	Side vent	/R	1	
(14)	928 555 053 04	Handle	/L	1	
		Leatherette			
	928 555 053 04 05T	Black			
	928 555 053 04 30B	Blue			
	928 555 053 04 4RB	Brown			
	928 555 053 04 3MX	Burgundy			
	928 555 053 04 4JX	Greyish green	85-		
14	928 555 054 04	Handle	/R	1	
		Leatherette			
	928 555 054 04 05T	Black			
	928 555 054 04 30B	Blue			
	928 555 054 04 4RB	Brown			
	928 555 054 04 3MX	Burgundy			
	928 555 054 04 4JX	Greyish green	85-		
(14)	928 555 267 52	Handle	/L	1	
		Leather			
	928 555 267 52 KZ2	Black			
	928 555 267 52 KZ3	Blue			
	928 555 267 52 4RB	Brown			
	928 555 267 52 LL1	Burgundy			
	928 555 267 52 LG6	Dark green			
	928 555 267 52 QC2	Greyish green	85-		
	928 555 267 52 PY9	Ocean blue	85-		
	928 555 267 52 PZ1	Wild buffalo	85-		
14	928 555 268 52	Handle	/R	1	
		Leather			
	928 555 268 52 KZ2	Black			
	928 555 268 52 KZ3	Blue			
	928 555 268 52 4RB	Brown			
	928 555 268 52 LL1	Burgundy			
	928 555 268 52 LG6	Dark green			
	928 555 268 52 QC2	Greyish green	85-		
	928 555 268 52 PY9	Ocean blue	85-		
	928 555 268 52 PZ1	Wild buffalo	85-		
(15)	928 555 051 02	Cover	/L	1	
		Checker board velour			
	928 555 051 02 4FH	Light grey/black	84-		
	928 555 051 02 5RH	Brown-grey	-84		
	928 555 051 02 7GH	Blue-grey	-84		
	928 555 051 02 9LH	Burgundy-grey	-84		
15	928 555 052 02	Cover	/R	1	
		Checker board velour			
	928 555 052 02 4FH	Light grey/black	84-		
	928 555 052 02 5RH	Brown-grey	-84		
	928 555 052 02 7GH	Blue-grey	-84		
	928 555 052 02 9LH	Burgundy-grey	-84		
(15)	928 555 051 02	Cover	/L	1	
		Uni-coloured cloth			
	928 555 051 02 30C	Blue	-84		
	928 555 051 02 7NU	Brown	-84		
	928 555 051 02 8FU	Grey-beige	-84		
	928 555 051 02 70F	Black	-84		

Model: 928 83 Model life 1983>>1986

Pos	Part Number	Description	Remark	Qty	Model
15	928 555 051 02 5MU	Burgundy	-84	1	
	928 555 052 02	Cover	/R		
		Uni-coloured cloth	-84		
	928 555 052 02 30C	Blue	-84		
	928 555 052 02 7NU	Brown	-84		
	928 555 052 02 8FU	Grey-beige	-84		
	928 555 052 02 70F	Black	-84		
(15)	928 555 052 02 5MU	Burgundy	-84	1	
	928 555 051 02	Cover	/L		
		Berber cloth			
	928 555 051 02 1GB	Grey/black	83		
	928 555 051 02 37B	Blue/black	83		
	928 555 051 02 8NB	Beige/brown	83		
	928 555 051 02 6LB	Burgundy-grey	83		
15	928 555 051 02 1FB	Grey-beige-grey	83	1	
	928 555 052 02	Cover	/R		
		Berber cloth			
	928 555 052 02 1GB	Grey/black	83		
	928 555 052 02 37B	Blue/black	83		
	928 555 052 02 8NB	Beige/brown	83		
	928 555 052 02 6LB	Burgundy-grey	83		
(15)	928 555 052 02 1FB	Grey-beige-grey	83	1	
	928 555 051 02	Cover	/L		
		Pin stripe velour			
	928 555 051 02 7BN	Black-white	84-		
	928 555 051 02 3NN	Brown-beige	84-		
	928 555 051 02 8GJ	Blue-white	84-		
	928 555 051 02 1MJ	Burgundy-white	84-		
15	928 555 051 02 9FN	Grey-beige-white	84,86	1	
	928 555 051 02 3JV	Greyish green-white	85-		
	928 555 052 02	Cover	/R		
		Pin stripe velour			
	928 555 052 02 7BN	Black-white	84-		
	928 555 052 02 3NN	Brown-beige	84-		
	928 555 052 02 8GJ	Blue-white	84-		
(15)	928 555 052 02 1MJ	Burgundy-white	84-	1	
	928 555 052 02 9FN	Grey-beige-white	84,86		
	928 555 052 02 3JV	Greyish green-white	85-		
	928 555 051 02	Cover	/L		
		Porsche lettering cloth			
	928 555 051 02 4CR	Black	84		
	928 555 051 02 6TR	Brown	84		
15	928 555 051 02 5HR	Blue	84	1	
	928 555 051 02 2LR	Burgundy	84		
	928 555 051 02 8RR	Grey-beige	84		
	928 555 051 02 2CZ	Black	85-		
	928 555 051 02 7NZ	Brown	85-		
	928 555 051 02 6HZ	Blue	85-		
	928 555 051 02 5LZ	Burgundy	85-		
	928 555 051 02 1JK	Greyish green	85-		
	928 555 051 02 5UY	Grey-beige	86		
	928 555 052 02	Cover	/R		
		Porsche lettering cloth			
	928 555 052 02 4CR	Black	84		
	928 555 052 02 6TR	Brown	84		
	928 555 052 02 5HR	Blue	84		
	928 555 052 02 2LR	Burgundy	84		
928 555 052 02 8RR	Grey-beige	84			
928 555 052 02 2CZ	Black	85-			
928 555 052 02 7NZ	Brown	85-			
928 555 052 02 6HZ	Blue	85-			
928 555 052 02 5LZ	Burgundy	85-			
928 555 052 02 1JK	Greyish green	85-			

Model: 928 83 Model life 1983>>1986

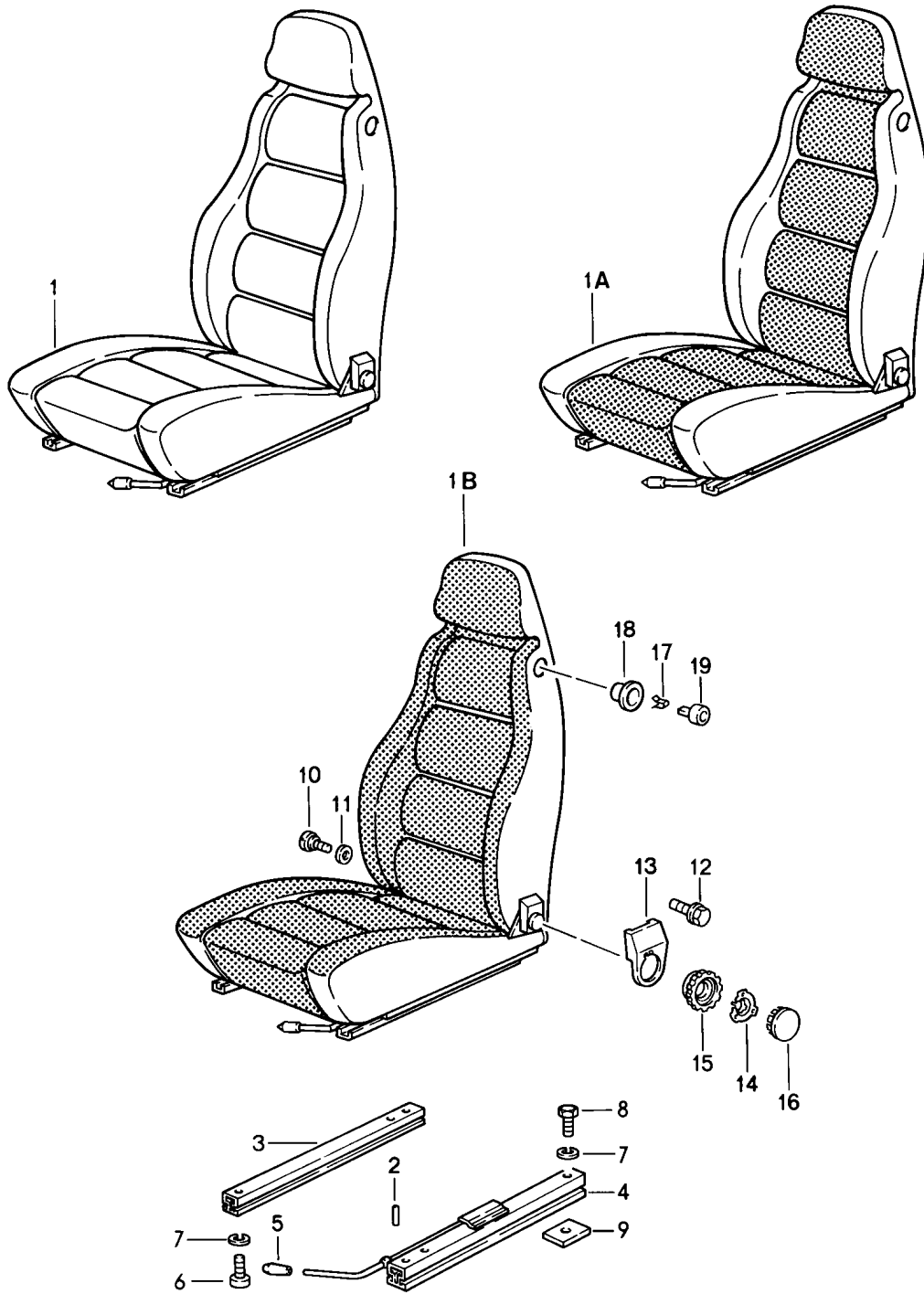
Pos	Part Number	Description	Remark	Qty	Model
(15)	928 555 052 02 5UY	Grey-beige	86		
	928 555 051 02	Cover	/L	1	
		Pin stripe flannel			
	928 555 051 02 8BF	Anthracite	85-		
	928 555 051 02 2TF	Brown	85-		
	928 555 051 02 6GF	Blue	85-		
	928 555 051 02 1MF	Burgundy	85-		
	928 555 051 02 9JF	Greyish green	85-		
15	928 555 052 02	Cover	/R	1	
		Pin stripe flannel			
	928 555 052 02 8BF	Anthracite	85-		
	928 555 052 02 2TF	Brown	85-		
	928 555 052 02 6GF	Blue	85-		
	928 555 052 02 1MF	Burgundy	85-		
	928 555 052 02 9JF	Greyish green	85-		
15	928 555 051 03	Cover	/L 85	1	
		Leatherette			
	928 555 051 03 70A	Black			
	928 555 051 03 4RB	Brown			
	928 555 051 03 1HH	Blue			
	928 555 051 03 3MX	Burgundy			
	928 555 051 03 2KA	Greyish green			
15	928 555 052 03	Cover	/R 85	1	
		Leatherette			
	928 555 052 03 70A	Black			
	928 555 052 03 4RB	Brown			
	928 555 052 03 1HH	Blue			
	928 555 052 03 3MX	Burgundy			
	928 555 052 03 2KA	Greyish green			
(15)	928 555 051 50	Cover	/L	1	
		Leather			
	928 555 051 50 KZ5	Brown			
	928 555 051 50 KZ2	Black			
	928 555 051 50 LG7	Burgundy			
	928 555 051 50 KZ4	Grey-beige	-84,86		
	928 555 051 50 KZ3	Blue			
	928 555 051 50 KZ6	Can-can-red			
	928 555 051 50 LG4	Pearl white			
	928 555 051 50 LG5	Champagne			
	928 555 051 50 LG6	Dark green			
	928 555 051 50 QC2	Greyish green	85-		
	928 555 051 50 PY9	Ocean blue	85-		
	928 555 051 50 PZ1	Wild buffalo	85-		
15	928 555 052 50	Cover	/R	1	
		Leather			
	928 555 052 50 KZ5	Brown			
	928 555 052 50 KZ2	Black			
	928 555 052 50 LG7	Burgundy			
	928 555 052 50 KZ4	Grey-beige	-84,86		
	928 555 052 50 KZ3	Blue			
	928 555 052 50 KZ6	Can-can-red			
	928 555 052 50 LG4	Pearl white			
	928 555 052 50 LG5	Champagne			
	928 555 052 50 LG6	Dark green			
	928 555 052 50 QC2	Greyish green	85-		
	928 555 052 50 PY9	Ocean blue	85-		
	928 555 052 50 PZ1	Wild buffalo	85-		
15A	999 591 559 40	Clip		6	
15B	928 555 327 02	Clamp		8	
16	928 555 317 02	Rosette		2	
16		Rosette		2	
	928 555 317 02 70B	Black			
17	928 555 363 02	Cover	/LL	1	

Model: 928 83 Model life 1983>>1986

Pos	Part Number	Description	Remark	Qty	Model
18	928 555 461 02	Mounting piece	/LL	1	
19	928 555 087 02	Package box	/L	1	
19	928 555 087 03	Package box	/L	1	
	928 555 087 03 71B	Black			
19	928 555 088 03	Package box	/R	1	
	928 555 088 03 71B	Black			
20	928 555 075 02	Coin box		1	
-	928 555 479 03	Sealing film	/L	1	
-	928 555 480 03	Sealing film	/R	1	
		Door			
21	928 555 551 02	Cable guide		2	
(22)	928 555 579 02	Edge protection	/L	1	
22	928 555 580 02	Edge protection	/R	1	
(22A)	928 555 425 02	Lining	/L	1	
		Side window			
	928 555 425 02 05T	Black			
(22A)	928 555 426 02	Lining	/R	1	
		Side window			
	928 555 426 02 05T	Black			
23	928 555 263 02	Cover	/L	1	
		Cable guide			
23	928 555 264 02	Cover	/R	1	
		Cable guide			
24	928 551 315 03	Piping		2	
25	928 551 433 02	Cap	/L	1	
25	928 551 434 02	Cap	/R	1	

Model: 928 83

Model life 1983>>1986



Model: 928 83 Model life 1983>>1986

Pos	Part Number	Description	Remark	Qty	Model
(1)	928 521 002 56	Front seat Front seat Manually adjustable Leather	-84 /LL /R	1	
	928 521 002 56 KZ2	Black			
	928 521 002 56 KZ3	Blue			
	928 521 002 56 KZ5	Brown			
	928 521 002 56 LG7	Burgundy			
	928 521 002 56 KZ4	Grey-beige			
	928 521 002 56 KZ6	Can-can-red			
	928 521 002 56 LG4	Pearl white			
	928 521 002 56 LG5	Champagne			
	928 521 002 56 LG6	Dark green			
(1)	928 521 001 53	Comfort seat Electrically adjustable Leather	/L 83	1	M437
	928 521 001 53 KZ2	Black			
	928 521 001 53 KZ3	Blue			
	928 521 001 53 KZ5	Brown			
	928 521 001 53 LG7	Burgundy			
	928 521 001 53 KZ4	Grey-beige			
	928 521 001 53 KZ6	Can-can-red			
	928 521 001 53 LG4	Pearl white			
	928 521 001 53 LG5	Champagne			
	928 521 001 53 LG6	Dark green			
(1)	928 521 001 59	Comfort seat Electrically adjustable Leather	/L 84	1	M437
	928 521 001 59 KZ2	Black			
	928 521 001 59 KZ3	Blue			
	928 521 001 59 KZ5	Cadbury brown			
	928 521 001 59 LG7	Burgundy			
	928 521 001 59 KZ4	Grey-beige			
	928 521 001 59 KZ6	Can-can-red			
	928 521 001 59 LG4	Pearl white			
	928 521 001 59 LG5	Champagne			
	928 521 001 59 LG6	Dark green			
(1)	928 521 002 53	Comfort seat Electrically adjustable Leather	/R 83	1	M438
	928 521 002 53 KZ2	Black			
	928 521 002 53 KZ3	Blue			
	928 521 002 53 KZ5	Cadbury brown			
	928 521 002 53 LG7	Burgundy			
	928 521 002 53 KZ4	Grey-beige			
	928 521 002 53 KZ6	Can-can-red			
	928 521 002 53 LG4	Pearl white			
	928 521 002 53 LG5	Champagne			
	928 521 002 53 LG6	Dark green			
(1)	928 521 002 59	Front seat Electrically adjustable Leather	/R 84	1	M438
	928 521 002 59 KZ2	Black			
	928 521 002 59 KZ3	Blue			
	928 521 002 59 KZ5	Brown			
	928 521 002 59 LG7	Burgundy			
	928 521 002 59 KZ4	Grey-beige			
	928 521 002 59 KZ6	Can-can-red			
	928 521 002 59 LG4	Pearl white			
	928 521 002 59 LG5	Champagne			
	928 521 002 59 LG6	Dark green			
(1A)	928 521 002 57	Front seat Manually adjustable	/LL /R	1	

Model: 928 83 Model life 1983>>1986

Pos	Part Number	Description	Remark	Qty	Model
	928 521 002 57 LH1	Leather/ Centre part in cloth Checker board velour Black/ Light grey/black			
	928 521 002 57 LH2	Brown/ Brown-grey			
	928 521 002 57 LH3	Blue/ Blue-grey			
	928 521 002 57 LH4	Burgundy/ Burgundy-grey			
	928 521 002 57 LH5	Grey-beige/ Brown-grey			
(1A)	928 521 001 54	Comfort seat Electrically adjustable with seat adjuster Leather/ Centre part in cloth Checker board velour	/L 83	1	M437
	928 521 001 54 LH1	Black/ Light grey/black			
	928 521 001 54 LH2	Brown/ Brown-grey			
	928 521 001 54 LH3	Blue/ Blue-grey			
	928 521 001 54 LH4	Burgundy/ Burgundy-grey			
	928 521 001 54 LH5	Grey-beige/ Brown-grey			
(1A)	928 521 001 60	Front seat Electrically adjustable with seat adjuster Leather/ Centre part in cloth Checker board velour	/L 84	1	M437
	928 521 001 60 LH1	Black/ Light grey/black			
	928 521 001 60 LH2	Brown/ Brown-grey			
	928 521 001 60 LH3	Blue/ Blue-grey			
	928 521 001 60 LH4	Burgundy/ Burgundy-grey			
	928 521 001 60 LH5	Grey-beige/ Brown-grey			
(1A)	928 521 002 54	Comfort seat Electrically adjustable with seat adjuster Leather/ Centre part in cloth Checker board velour	/R 83	1	M438
	928 521 002 54 LH1	Black/ Light grey/black			
	928 521 002 54 LH2	Brown/ Brown-grey			
	928 521 002 54 LH3	Blue/ Blue-grey			
	928 521 002 54 LH4	Burgundy/ Burgundy-grey			
	928 521 002 54 LH5	Grey-beige/ Brown-grey			
(1A)	928 521 002 60	Front seat Electrically adjustable	/R 84	1	M438

Model: 928 83 Model life 1983>>1986

Pos	Part Number	Description	Remark	Qty	Model
		with seat adjuster Leather/ Centre part in cloth Checker board velour			
	928 521 002 60 LH1	Black/ Light grey/black			
	928 521 002 60 LH2	Brown/ Brown-grey			
	928 521 002 60 LH3	Blue/ Blue-grey			
	928 521 002 60 LH4	Burgundy/ Burgundy-grey			
	928 521 002 60 LH5	Grey-beige/ Brown-grey			
(1A)	928 521 002 57	Front seat Manually adjustable Leather/ Centre part in cloth Uni-coloured cloth	/LL /R	1	
	928 521 002 57 JT4	Blue/blue			
	928 521 002 57 LJ1	Brown/brown			
	928 521 002 57 LJ3	Grey-beige/grey-beige			
	928 521 002 57 JN6	Black/black			
	928 521 002 57 LJ2	Burgundy/burgundy			
(1A)	928 521 001 54	Comfort seat Electrically adjustable with seat adjuster Leather/ Centre part in cloth Uni-coloured cloth	/L 83	1	M437
	928 521 001 54 JT4	Blue/blue			
	928 521 001 54 LJ1	Brown/brown			
	928 521 001 54 LJ3	Grey-beige/grey-beige			
	928 521 001 54 JN6	Black/black			
	928 521 001 54 LJ2	Burgundy/burgundy			
(1A)	928 521 001 60	Front seat Electrically adjustable with seat adjuster Leather/ Centre part in cloth Uni-coloured cloth	/L 84	1	M437
	928 521 001 60 JT4	Blue/blue			
	928 521 001 60 LJ1	Brown/brown			
	928 521 001 60 LJ3	Grey-beige/grey-beige			
	928 521 001 60 JN6	Black/black			
	928 521 001 60 LJ2	Burgundy/burgundy			
(1A)	928 521 002 54	Comfort seat Electrically adjustable with seat adjuster Leather/ Centre part in cloth Uni-coloured cloth	/R 83	1	M438
	928 521 002 54 JT4	Blue/blue			
	928 521 002 54 LJ1	Brown/brown			
	928 521 002 54 LJ3	Grey-beige/grey-beige			
	928 521 002 54 JN6	Black/black			
	928 521 002 54 LJ2	Burgundy/burgundy			
(1A)	928 521 002 60	Front seat Electrically adjustable with seat adjuster Leather/ Centre part in cloth Uni-coloured cloth	/R 84	1	M438

Model: 928 83 Model life 1983>>1986

Pos	Part Number	Description	Remark	Qty	Model
	928 521 002 60 JT4	Blue/blue			
	928 521 002 60 LJ1	Brown/brown			
	928 521 002 60 LJ3	Grey-beige/grey-beige			
	928 521 002 60 JN6	Black/black			
	928 521 002 60 LJ2	Burgundy/burgundy			
(1A)	928 521 002 57	Front seat Manually adjustable Leather/ Centre part in cloth Pin stripe velour	/LL /R	1	
	928 521 002 57 LS5	Black/ Black-white	84 84		
	928 521 002 57 LS6	Brown/ Brown-beige	84 84		
	928 521 002 57 LS8	Blue/ Blue-white	84 84		
	928 521 002 57 LS9	Burgundy/ Burgundy-white	84 84		
	928 521 002 57 LS7	Grey-beige/ Grey-beige-white	84 84		
(1A)	928 521 001 54	Comfort seat Electrically adjustable with seat adjuster Leather/ Centre part in cloth Pin stripe velour	/L	1	M437
	928 521 001 54 LS5	Black/ Black-white	84		
	928 521 001 54 LS6	Brown/ Brown-beige	84		
	928 521 001 54 LS8	Blue/ Blue-white	84		
	928 521 001 54 LS9	Burgundy/ Burgundy-white	84		
	928 521 001 54 LS7	Grey-beige/ Grey-beige-white	84		
(1A)	928 521 001 60	Front seat Electrically adjustable with seat adjuster Leather/ Centre part in cloth Pin stripe velour	/L 84	1	M437
	928 521 001 60 LS5	Black/ Black-white	84 84		
	928 521 001 60 LS6	Brown/ Brown-beige	84 84		
	928 521 001 60 LS8	Blue/ Blue-white	84 84		
	928 521 001 60 LS9	Burgundy/ Burgundy-white	84 84		
	928 521 001 60 LS7	Grey-beige/ Grey-beige-white	84 84		
(1A)	928 521 002 54	Comfort seat Electrically adjustable with seat adjuster Leather/ Centre part in cloth Pin stripe velour	/R	1	M438
	928 521 002 54 LS5	Black/ Black-white	84		
	928 521 002 54 LS6	Brown/ Brown-beige	84		
	928 521 002 54 LS8	Blue/			

Model: 928 83 Model life 1983>>1986

Pos	Part Number	Description	Remark	Qty	Model
	928 521 002 54 LS9	Blue-white	84		
	928 521 002 54 LS7	Burgundy/ Burgundy-white	84		
(1A)	928 521 002 60	Grey-beige/ Grey-beige-white	84	1	M438
		Front seat	/R 84		
		Electrically adjustable with seat adjuster			
		Leather/ Centre part in cloth			
	928 521 002 60 LS5	Pin stripe velour			
		Black/ Black-white	84		
	928 521 002 60 LS6	Brown/ Brown-beige	84		
	928 521 002 60 LS8	Blue/ Blue-white	84		
	928 521 002 60 LS9	Burgundy/ Burgundy-white	84		
	928 521 002 60 LS7	Grey-beige/ Grey-beige-white	84		
(1A)	928 521 002 57	Front seat	/LL /R	1	
		Manually adjustable			
		Leather/ Centre part			
		Porsche lettering cloth			
	928 521 002 57 MN3	Black/black	84		
	928 521 002 57 MN4	Brown/brown	84		
	928 521 002 57 MN6	Blue/blue	84		
	928 521 002 57 MN7	Burgundy/burgundy	84		
	928 521 002 57 MN5	Grey-beige/grey-beige	84		
(1A)	928 521 001 54	Comfort seat	/L	1	M437
		Electrically adjustable with seat adjuster			
		Leather/ Centre part			
		Porsche lettering cloth			
	928 521 001 54 MN3	Black/black			
	928 521 001 54 MN4	Brown/brown			
	928 521 001 54 MN6	Blue/blue			
	928 521 001 54 MN7	Burgundy/burgundy			
	928 521 001 54 MN5	Grey-beige/grey-beige			
(1A)	928 521 001 60	Front seat	/L 84	1	M437
		Electrically adjustable with seat adjuster			
		Leather/ Centre part			
		Porsche lettering cloth			
	928 521 001 60 MN3	Black/black	84		
	928 521 001 60 MN4	Brown/brown	84		
	928 521 001 60 MN6	Blue/blue	84		
	928 521 001 60 MN7	Burgundy/burgundy	84		
	928 521 001 60 MN5	Grey-beige/grey-beige	84		
(1A)	928 521 002 54	Comfort seat	/R	1	M438
		Electrically adjustable with seat adjuster			
		Leather/ Centre part			
		Porsche lettering cloth			
	928 521 002 54 MN3	Black/black			
	928 521 002 54 MN4	Brown/brown			
	928 521 002 54 MN6	Blue/blue			
	928 521 002 54 MN7	Burgundy/burgundy			

Model: 928 83 Model life 1983>>1986

Pos	Part Number	Description	Remark	Qty	Model
(1A)	928 521 002 54 MN5 928 521 002 60	Grey-beige/grey-beige Front seat Electrically adjustable with seat adjuster Leather/ Centre part Porsche lettering cloth	/R 84	1	M438
	928 521 002 60 MN3	Black/black	84		
	928 521 002 60 MN4	Brown/brown	84		
	928 521 002 60 MN6	Blue/blue	84		
	928 521 002 60 MN7	Burgundy/burgundy	84		
	928 521 002 60 MN5	Grey-beige/grey-beige	84		
(1B)	928 521 002 58	Front seat Manually adjustable Leather/ Seat and backrest surface Berber cloth	/LL /R	1	
	928 521 002 58 JH1	Black/ Grey/black	83 83		
	928 521 002 58 JD4	Blue/ Blue/black	83 83		
	928 521 002 58 JH2	Brown/ Beige/brown	83 83		
	928 521 002 58 LH8	Burgundy/ Burgundy-grey	83 83		
	928 521 002 58 LH9	Grey-beige/ Grey-beige-grey	83 83		
(1B)	928 521 001 55	Comfort seat Electrically adjustable Leather/ Seat and backrest surface Berber cloth	/L 83	1	M437
	928 521 001 55 JH1	Black/ Grey/black	83 83		
	928 521 001 55 JD4	Blue/ Blue/black	83 83		
	928 521 001 55 JH2	Brown/ Beige/brown	83 83		
	928 521 001 55 LH8	Burgundy/ Burgundy-grey	83 83		
	928 521 001 55 LH9	Grey-beige/ Grey-beige-grey	83 83		
(1B)	928 521 001 61	Front seat Electrically adjustable Leather/ Seat and backrest surface Berber cloth	/L	1	M437
	928 521 001 61 JH1	Black/ Grey/black	83		
	928 521 001 61 JD4	Blue/ Blue/black	83		
	928 521 001 61 JH2	Brown/ Beige/brown	83		
	928 521 001 61 LH8	Burgundy/ Burgundy-grey	83		
	928 521 001 61 LH9	Grey-beige/ Grey-beige-grey	83		
(1B)	928 521 002 55	Comfort seat Electrically adjustable Leather/ Seat and backrest surface Berber cloth	/R 83	1	M438
	928 521 002 55 JH1	Black/	83		

Model: 928 83 Model life 1983>>1986

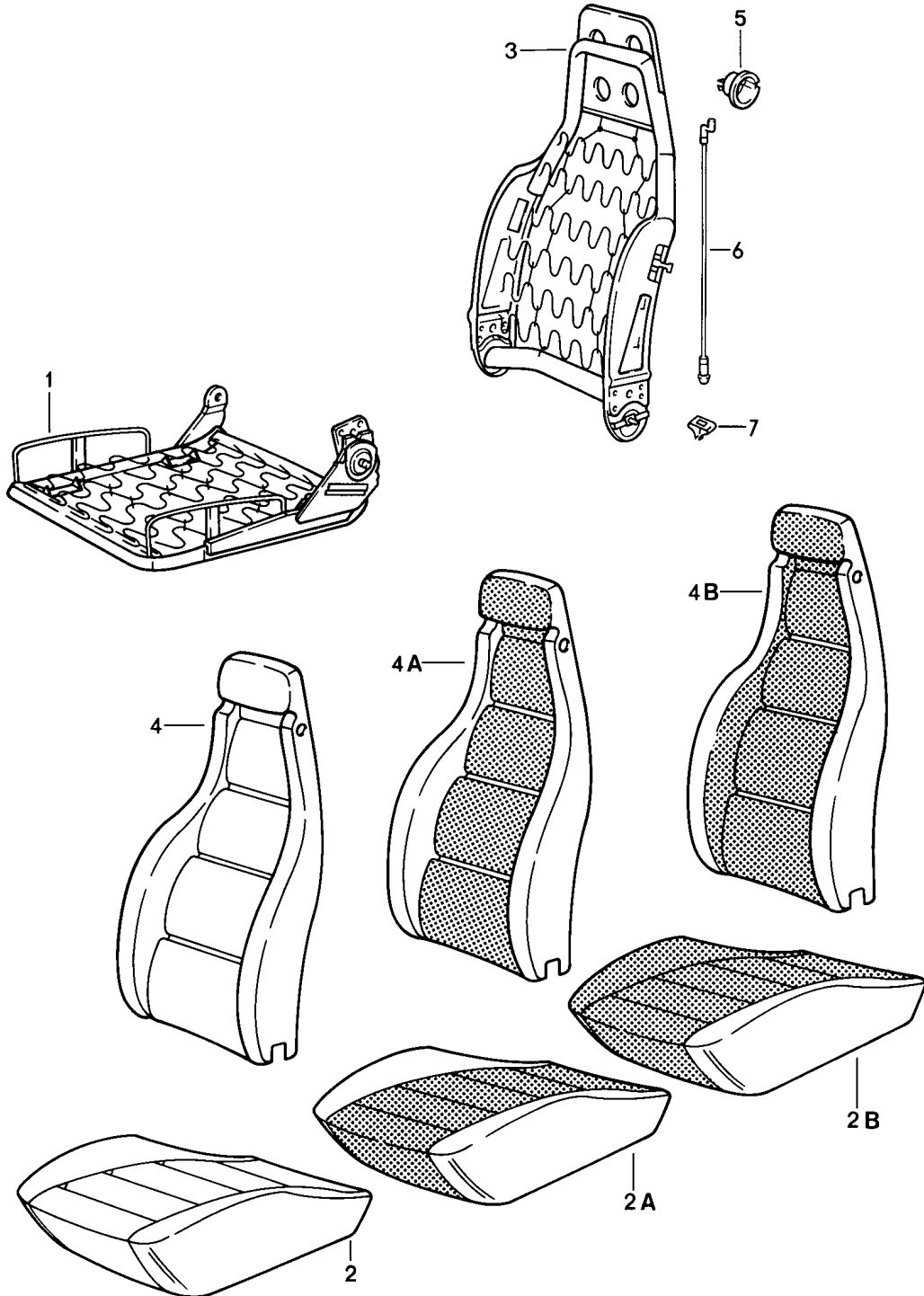
Pos	Part Number	Description	Remark	Qty	Model
		Grey/black	83		
	928 521 002 55 JD4	Blue/	83		
		Blue/black	83		
	928 521 002 55 JH2	Brown/	83		
		Beige/brown	83		
	928 521 002 55 LH8	Burgundy/	83		
		Burgundy-grey	83		
	928 521 002 55 LH9	Grey-beige/	83		
		Grey-beige-grey	83		
(1B)	928 521 002 61	Front seat	/R	1	M438
		Electrically adjustable			
		Leather/			
		Seat and backrest surface			
		Berber cloth			
	928 521 002 61 JH1	Black/			
		Grey/black	83		
	928 521 002 61 JD4	Blue/			
		Blue/black	83		
	928 521 002 61 JH2	Brown/			
		Beige/brown	83		
	928 521 002 61 LH8	Burgundy/			
		Burgundy-grey	83		
	928 521 002 61 LH9	Grey-beige/			
		Grey-beige-grey	83		
(1B)	928 521 002 58	Front seat	/LL /R	1	
		Manually adjustable			
		Leather/			
		Seat and backrest surface			
		Porsche lettering cloth			
	928 521 002 58 LR9	Black/black			
	928 521 002 58 LS1	Brown/brown			
	928 521 002 58 LS3	Blue/blue			
	928 521 002 58 LS4	Burgundy/burgundy			
	928 521 002 58 LS2	Grey-beige/grey-beige			
(1B)	928 521 001 55	Comfort seat	/L 83	1	M437
		Electrically adjustable			
		Leather/			
		Seat and backrest surface			
		Porsche lettering cloth			
	928 521 001 55 LR9	Black/black			
	928 521 001 55 LS1	Brown/brown			
	928 521 001 55 LS3	Blue/blue			
	928 521 001 55 LS4	Burgundy/burgundy			
	928 521 001 55 LS2	Grey-beige/grey-beige			
(1B)	928 521 001 61	Front seat	/L 84	1	M437
		Electrically adjustable			
		Leather/			
		Seat and backrest surface			
		Porsche lettering cloth			
	928 521 001 61 LR9	Black/black			
	928 521 001 61 LS1	Brown/brown			
	928 521 001 61 LS3	Blue/blue			
	928 521 001 61 LS4	Burgundy/burgundy			
	928 521 001 61 LS2	Grey-beige/grey-beige			
(1B)	928 521 002 55	Comfort seat	/R 83	1	M438
		Electrically adjustable			
		Leather/			
		Seat and backrest surface			
		Porsche lettering cloth			
	928 521 002 55 LR9	Black/black			
	928 521 002 55 LS1	Brown/brown			
	928 521 002 55 LS3	Blue/blue			
	928 521 002 55 LS4	Burgundy/burgundy			

Model: 928 83 Model life 1983>>1986

Pos	Part Number	Description	Remark	Qty	Model
(1B)	928 521 002 55 LS2 928 521 002 61	Grey-beige/grey-beige Front seat Electrically adjustable Leather/ Seat and backrest surface Porsche lettering cloth	/R 84	1	M438
	928 521 002 61 LR9	Black/black			
	928 521 002 61 LS1	Brown/brown			
	928 521 002 61 LS3	Blue/blue			
	928 521 002 61 LS4	Burgundy/burgundy			
	928 521 002 61 LS2	Grey-beige/grey-beige			
2	900 012 123 00	Pin A 2,5 X 12		2	
3	944 521 491 00	Seat rail		2	
3		Seat rail without locking device See TPI GR.8 NR.34		2	
4	928 521 489 02	Seat rail with locking device	/L	1	
(4)	928 521 490 02	Seat rail with locking device	/R	1	
(5)	911 521 533 01	Handle for longitudinal adjustment		2	
	911 521 533 01 01C	Satin black			
6	N 014 761 2	Pan-head screw M 6 X 12		8	
6	900 119 129 01	Pan-head screw M 6 X 12		8	
7	N 012 006 4	Lock ring B 6		16	
8	900 075 057 02	Hexagon-head bolt		8	
8	900 075 057 03	Hexagon-head bolt		8	
9	928 521 101 04	Threaded plate		8	
10	911 521 371 00	Screw		2	
11	999 025 117 40	Washer 12,5 X 32 X 1		X	
12	911 521 547 00	Screw M 10 X 20		8	
13	911 521 359 02	Cover	/L	1	
(13)	911 521 360 02	Cover	/R	1	
14	911 521 571 00	Tensioning spring		2	
(15)	911 521 381 02	Cover for backrest adjustment Comprising: POS. 15 Shifting wheel POS. 16 Cover		2	
15	911 521 381 00	Shifting wheel		2	
16	911 521 383 00	Cover		2	
16	911 521 381 02	Cover		2	
17	311 881 247	Clip		2	
18	928 521 815 02	Rosette		2	
19	928 521 817 02	Push button		2	

Model: 928 83

Model life 1983>>1986



Model: 928 83 Model life 1983>>1986

Pos	Part Number	Description	Remark	Qty	Model
		Front seat	-84		
		Single parts			
(1)	928 521 070 02	Seat frame	/LL /R	1	
(1)	928 521 069 05	Seat frame	/L 84	1	M437
(1)	928 521 070 05	Seat frame	/R 84	1	M438
(2)	928 521 038 50	Seat cover	/LL /R	1	
		Leather			
	928 521 038 50 KZ2	Black			
	928 521 038 50 KZ3	Blue			
	928 521 038 50 KZ5	Cadbury brown			
	928 521 038 50 LG7	Burgundy			
	928 521 038 50 KZ4	Grey-beige			
	928 521 038 50 KZ6	Can-can-red			
	928 521 038 50 LG4	Pearl white			
	928 521 038 50 LG5	Champagne			
	928 521 038 50 LG6	Dark green			
(2)	928 521 037 53	Seat cover	/L 83	1	M437
		Leather			
	928 521 037 53 KZ2	Black			
	928 521 037 53 KZ3	Blue			
	928 521 037 53 KZ5	Cadbury brown			
	928 521 037 53 LG7	Burgundy			
	928 521 037 53 KZ4	Grey-beige			
	928 521 037 53 KZ6	Can-can-red			
	928 521 037 53 LG4	Pearl white			
	928 521 037 53 LG5	Champagne			
	928 521 037 53 LG6	Dark green			
(2)	928 521 037 56	Seat cover	/L 84	1	M437
		Leather			
	928 521 037 56 KZ2	Black			
	928 521 037 56 KZ3	Blue			
	928 521 037 56 KZ5	Cadbury brown			
	928 521 037 56 LG7	Burgundy			
	928 521 037 56 KZ4	Grey-beige			
	928 521 037 56 KZ6	Can-can-red			
	928 521 037 56 LG4	Pearl white			
	928 521 037 56 LG5	Champagne			
	928 521 037 56 LG6	Dark green			
(2)	928 521 038 53	Seat cover	/R 83	1	M438
		Leather			
	928 521 038 53 KZ2	Black			
	928 521 038 53 KZ3	Blue			
	928 521 038 53 KZ5	Cadbury brown			
	928 521 038 53 LG7	Burgundy			
	928 521 038 53 KZ4	Grey-beige			
	928 521 038 53 KZ6	Can-can-red			
	928 521 038 53 LG4	Pearl white			
	928 521 038 53 LG5	Champagne			
	928 521 038 53 LG6	Dark green			
(2)	928 521 038 56	Seat cover	/R 84	1	M438
		Leather			
	928 521 038 56 KZ2	Black			
	928 521 038 56 KZ3	Blue			
	928 521 038 56 KZ5	Cadbury brown			
	928 521 038 56 LG7	Burgundy			
	928 521 038 56 KZ4	Grey-beige			
	928 521 038 56 KZ6	Can-can-red			
	928 521 038 56 LG4	Pearl white			
	928 521 038 56 LG5	Champagne			
	928 521 038 56 LG6	Dark green			
(2A)	928 521 038 51	Seat cover	/LL /R	1	
		Leather/ Centre part			

Model: 928 83 Model life 1983>>1986

Pos	Part Number	Description	Remark	Qty	Model
	928 521 038 51 LH1	Checker board velour Black/ Light grey/black			
	928 521 038 51 LH2	Brown/ Brown-grey			
	928 521 038 51 LH3	Blue/ Blue-grey			
	928 521 038 51 LH4	Burgundy/ Burgundy-grey			
	928 521 038 51 LH5	Grey-beige/ Brown-grey			
(2A)	928 521 037 54	Seat cover Leather/ Centre part Checker board velour	/L 83	1	M437
	928 521 037 54 LH1	Black/ Light grey/black			
	928 521 037 54 LH2	Brown/ Brown-grey			
	928 521 037 54 LH3	Blue/ Blue-grey			
	928 521 037 54 LH4	Burgundy/ Burgundy-grey			
	928 521 037 54 LH5	Grey-beige/ Brown-grey			
(2A)	928 521 037 57	Seat cover Leather/ Centre part Checker board velour	/L 84	1	M437
	928 521 037 57 LH1	Black/ Light grey/black			
	928 521 037 57 LH2	Brown/ Brown-grey			
	928 521 037 57 LH3	Blue/ Blue-grey			
	928 521 037 57 LH4	Burgundy/ Burgundy-grey			
	928 521 037 57 LH5	Grey-beige/ Brown-grey			
(2A)	928 521 038 54	Seat cover Leather/ Centre part Checker board velour	/R 83	1	M438
	928 521 038 54 LH1	Black/ Light grey/black			
	928 521 038 54 LH2	Brown/ Brown-grey			
	928 521 038 54 LH3	Blue/ Blue-grey			
	928 521 038 54 LH4	Burgundy/ Burgundy-grey			
	928 521 038 54 LH5	Grey-beige/ Brown-grey			
(2A)	928 521 038 57	Seat cover Leather/ Centre part Checker board velour	/R 84	1	M438
	928 521 038 57 LH1	Black/ Light grey/black			
	928 521 038 57 LH2	Brown/ Brown-grey			
	928 521 038 57 LH3	Blue/ Blue-grey			

Model: 928 83 Model life 1983>>1986

Pos	Part Number	Description	Remark	Qty	Model
	928 521 038 57 LH4	Burgundy/ Burgundy-grey			
	928 521 038 57 LH5	Grey-beige/ Brown-grey			
(2A)	928 521 038 51	Seat cover Leather/ Centre part Uni-coloured cloth	/LL /R	1	
	928 521 038 51 JT4	Blue/blue			
	928 521 038 51 LJ1	Brown/brown			
	928 521 038 51 LJ3	Grey-beige/grey-beige			
	928 521 038 51 JN6	Black/black			
	928 521 038 51 LJ2	Burgundy/burgundy			
(2A)	928 521 037 54	Seat cover Leather/ Centre part Uni-coloured cloth	/L 83	1	M437
	928 521 037 54 JT4	Blue/blue			
	928 521 037 54 LJ1	Brown/brown			
	928 521 037 54 LJ3	Grey-beige/grey-beige			
	928 521 037 54 JN6	Black/black			
	928 521 037 54 LJ2	Burgundy/burgundy			
(2A)	928 521 037 57	Seat cover Leather/ Centre part Uni-coloured cloth	/L 84	1	M437
	928 521 037 57 JT4	Blue/blue			
	928 521 037 57 LJ1	Brown/brown			
	928 521 037 57 LJ3	Grey-beige/grey-beige			
	928 521 037 57 JN6	Black/black			
	928 521 037 57 LJ2	Burgundy/burgundy			
(2A)	928 521 038 54	Seat cover Leather/ Centre part Uni-coloured cloth	/R 83	1	M438
	928 521 038 54 JT4	Blue/blue			
	928 521 038 54 LJ1	Brown/brown			
	928 521 038 54 LJ3	Grey-beige/grey-beige			
	928 521 038 54 JN6	Black/black			
	928 521 038 54 LJ2	Burgundy/burgundy			
(2A)	928 521 038 57	Seat cover Leather/ Centre part Uni-coloured cloth	/R 84	1	M438
	928 521 038 57 JT4	Blue/blue			
	928 521 038 57 LJ1	Brown/brown			
	928 521 038 57 LJ3	Grey-beige/grey-beige			
	928 521 038 57 JN6	Black/black			
	928 521 038 57 LJ2	Burgundy/burgundy			
(2A)	928 521 038 51	Seat cover Leather/ Centre part Pin stripe velour	/LL /R	1	
	928 521 038 51 LS5	Black/ Black-white	84		
	928 521 038 51 LS6	Brown/ Brown-beige	84		
	928 521 038 51 LS8	Blue/ Blue-white	84		
	928 521 038 51 LS9	Burgundy/ Burgundy-white	84		
	928 521 038 51 LS7	Grey-beige/ Grey-beige-white	84		

Model: 928 83

Model life 1983>>1986

Pos	Part Number	Description	Remark	Qty	Model
(2A)	928 521 037 54	Seat cover Leather/ Centre part Pin stripe velour	/L	1	M437
	928 521 037 54 LS5	Black/ Black-white			
	928 521 037 54 LS6	Brown/ Brown-beige			
	928 521 037 54 LS8	Blue/ Blue-white			
	928 521 037 54 LS9	Burgundy/ Burgundy-white			
	928 521 037 54 LS7	Grey-beige/ Grey-beige-white			
(2A)	928 521 037 57	Seat cover Leather/ Centre part Pin stripe velour	/L 84	1	M437
	928 521 037 57 LS5	Black/ Black-white	84		
	928 521 037 57 LS6	Brown/ Brown-beige	84		
	928 521 037 57 LS8	Blue/ Blue-white	84		
	928 521 037 57 LS9	Burgundy/ Burgundy-white	84		
	928 521 037 57 LS7	Grey-beige/ Grey-beige-white	84		
(2A)	928 521 038 54	Seat cover Leather/ Centre part Pin stripe velour	/R	1	M438
	928 521 038 54 LS5	Black/ Black-white			
	928 521 038 54 LS6	Brown/ Brown-beige			
	928 521 038 54 LS8	Blue/ Blue-white			
	928 521 038 54 LS9	Burgundy/ Burgundy-white			
	928 521 038 54 LS7	Grey-beige/ Grey-beige-white			
(2A)	928 521 038 57	Seat cover Leather/ Centre part Pin stripe velour	/R 84	1	M438
	928 521 038 57 LS5	Black/ Black-white	84		
	928 521 038 57 LS6	Brown/ Brown-beige	84		
	928 521 038 57 LS8	Blue/ Blue-white	84		
	928 521 038 57 LS9	Burgundy/ Burgundy-white	84		
	928 521 038 57 LS7	Grey-beige/ Grey-beige-white	84		
(2A)	928 521 038 51	Seat cover Leather/ Centre part Porsche lettering cloth	/LL /R	1	
	928 521 038 51 MN3	Black/black	84		
	928 521 038 51 MN4	Brown/brown	84		
	928 521 038 51 MN6	Blue/blue	84		

Model: 928 83 Model life 1983>>1986

Pos	Part Number	Description	Remark	Qty	Model
(2A)	928 521 038 51 MN7	Burgundy/burgundy	84	1	M437
	928 521 038 51 MN5	Grey-beige/grey-beige	84		
	928 521 037 54	Seat cover Leather/ Centre part Porsche lettering cloth	/L		
	928 521 037 54 MN3	Black/black			
	928 521 037 54 MN4	Brown/brown			
	928 521 037 54 MN6	Blue/blue			
	928 521 037 54 MN7	Burgundy/burgundy			
(2A)	928 521 037 54 MN5	Grey-beige/grey-beige		1	M437
	928 521 037 57	Seat cover Leather/ Centre part Porsche lettering cloth	/L 84		
	928 521 037 57 MN3	Black/black	84		
	928 521 037 57 MN4	Brown/brown	84		
	928 521 037 57 MN6	Blue/blue	84		
	928 521 037 57 MN7	Burgundy/burgundy	84		
	928 521 037 57 MN5	Grey-beige/grey-beige	84		
(2A)	928 521 038 54	Seat cover Leather/ Centre part Porsche lettering cloth	/R	1	M438
	928 521 038 54 MN3	Black/black			
	928 521 038 54 MN4	Brown/brown			
	928 521 038 54 MN6	Blue/blue			
	928 521 038 54 MN7	Burgundy/burgundy			
	928 521 038 54 MN5	Grey-beige/grey-beige			
	928 521 038 57	Seat cover Leather/ Centre part Porsche lettering cloth	/R 84		
(2B)	928 521 038 57 MN3	Black/black	84	1	M438
	928 521 038 57 MN4	Brown/brown	84		
	928 521 038 57 MN6	Blue/blue	84		
	928 521 038 57 MN7	Burgundy/burgundy	84		
	928 521 038 57 MN5	Grey-beige/grey-beige	84		
	928 521 038 52	Seat cover Leather/ Seat surface Berber cloth	/LL /R		
	928 521 038 52 JH1	Black/ Grey/black	83		
(2B)	928 521 038 52 JD4	Blue/ Blue/black	83	1	M437
	928 521 038 52 JH2	Brown/ Beige/brown	83		
	928 521 038 52 LH8	Burgundy/ Burgundy-grey	83		
	928 521 038 52 LH9	Grey-beige/ Grey-beige-grey	83		
	928 521 037 55	Seat cover Leather/ Seat surface Berber cloth	/L 83		
	928 521 037 55 JH1	Black/ Grey/black	83		
	928 521 037 55 JD4	Blue/ Blue/black	83		
(2B)	928 521 037 55 JH2	Brown/ Beige/brown	83	1	M437
	928 521 037 55 LH8	Burgundy/ Burgundy-grey	83		
	928 521 037 55 LH8	Burgundy/ Burgundy-grey	83		

Model: 928 83 Model life 1983>>1986

Pos	Part Number	Description	Remark	Qty	Model
	928 521 037 55 LH9	Burgundy-grey Grey-beige/ Grey-beige-grey	83		
(2B)	928 521 037 58	Cover for cushion Leather/ Seat surface Berber cloth	/L	1	M437
	928 521 037 58 JH1	Black/ Grey/black			
	928 521 037 58 JD4	Blue/ Blue/black			
	928 521 037 58 JH2	Brown/ Beige/brown			
	928 521 037 58 LH8	Burgundy/ Burgundy-grey			
	928 521 037 58 LH9	Grey-beige/ Grey-beige-grey			
(2B)	928 521 038 55	Seat cover Leather/ Seat surface Berber cloth	/R 83	1	M438
	928 521 038 55 JH1	Black/ Grey/black	83		
	928 521 038 55 JD4	Blue/ Blue/black	83		
	928 521 038 55 JH2	Brown/ Beige/brown	83		
	928 521 038 55 LH8	Burgundy/ Burgundy-grey	83		
	928 521 038 55 LH9	Grey-beige/ Grey-beige-grey	83		
(2B)	928 521 038 58	Seat cover Leather/ Seat surface Berber cloth	/R	1	M438
	928 521 038 58 JH1	Black/ Grey/black			
	928 521 038 58 JD4	Black/ Blue/black			
	928 521 038 58 JH2	Brown/ Beige/brown			
	928 521 038 58 LH8	Burgundy/ Burgundy-grey			
	928 521 038 58 LH9	Grey-beige/ Grey-beige-grey			
(2B)	928 521 038 52	Seat cover Leather/ Seat surface Porsche lettering cloth	/LL /R	1	
	928 521 038 52 LR9	Black/black	84		
	928 521 038 52 LS1	Brown/brown	84		
	928 521 038 52 LS3	Blue/blue	84		
	928 521 038 52 LS4	Burgundy/burgundy	84		
	928 521 038 52 LS2	Grey-beige/grey-beige	84		
(2B)	928 521 037 55	Seat cover Leather/ Seat surface Porsche lettering cloth	/L	1	M437
	928 521 037 55 LR9	Black/black			
	928 521 037 55 LS1	Brown/brown			
	928 521 037 55 LS3	Blue/blue			
	928 521 037 55 LS4	Burgundy/burgundy			
	928 521 037 55 LS2	Grey-beige/grey-beige			

Model: 928 83 Model life 1983>>1986

Pos	Part Number	Description	Remark	Qty	Model
(2B)	928 521 037 58	Cover for cushion Leather/ Seat surface Porsche lettering cloth	/L 84	1	M437
	928 521 037 58 LR9	Black/black	84		
	928 521 037 58 LS1	Brown/brown	84		
	928 521 037 58 LS3	Blue/blue	84		
	928 521 037 58 LS4	Burgundy/burgundy	84		
	928 521 037 58 LS2	Grey-beige/grey-beige	84		
(2B)	928 521 038 55	Seat cover Leather/ Seat surface Porsche lettering cloth	/R	1	M438
	928 521 038 55 LR9	Black/black			
	928 521 038 55 LS1	Brown/brown			
	928 521 038 55 LS3	Blue/blue			
	928 521 038 55 LS4	Burgundy/burgundy			
	928 521 038 55 LS2	Grey-beige/grey-beige			
(2B)	928 521 038 58	Seat cover Leather/ Seat surface Porsche lettering cloth	/R 84	1	M438
	928 521 038 58 LR9	Black/black	84		
	928 521 038 58 LS1	Brown/brown	84		
	928 521 038 58 LS3	Blue/blue	84		
	928 521 038 58 LS4	Burgundy/burgundy	84		
	928 521 038 58 LS2	Grey-beige/grey-beige	84		
(3)	928 521 028 02	Backrest frame	/LL /R	1	
(3)	928 521 027 03	Backrest frame	/L	1	M437
(3)	928 521 028 03	Backrest frame	/R	1	M438
4	928 521 072 50	Backrest cover Leather		2	
	928 521 072 50 KZ2	Black			
	928 521 072 50 KZ3	Blue			
	928 521 072 50 KZ5	Cadbury brown			
	928 521 072 50 LG7	Burgundy			
	928 521 072 50 KZ4	Grey-beige			
	928 521 072 50 KZ6	Can-can-red			
	928 521 072 50 LG4	Pearl white			
	928 521 072 50 LG5	Champagne			
	928 521 072 50 LG6	Dark green			
(4)	928 521 071 53	Backrest cover Leather	/L	1	M437
	928 521 071 53 KZ2	Black			
	928 521 071 53 KZ3	Blue			
	928 521 071 53 KZ5	Cadbury brown			
	928 521 071 53 LG7	Burgundy			
	928 521 071 53 KZ4	Grey-beige			
	928 521 071 53 KZ6	Can-can-red			
	928 521 071 53 LG4	Pearl white			
	928 521 071 53 LG5	Champagne			
	928 521 071 53 LG6	Dark green			
(4)	928 521 072 53	Backrest cover Leather	/R	1	M438
	928 521 072 53 KZ2	Black			
	928 521 072 53 KZ3	Blue			
	928 521 072 53 KZ5	Cadbury brown			
	928 521 072 53 LG7	Burgundy			
	928 521 072 53 KZ4	Grey-beige			
	928 521 072 53 KZ6	Can-can-red			
	928 521 072 53 LG4	Pearl white			
	928 521 072 53 LG5	Champagne			
	928 521 072 53 LG6	Dark green			

Model: 928 83 Model life 1983>>1986

Pos	Part Number	Description	Remark	Qty	Model
4A	928 521 072 51	Backrest cover Leather/ Centre part Checker board velour		2	
	928 521 072 51 LH1	Black/ Light grey/black			
	928 521 072 51 LH2	Brown/ Brown-grey			
	928 521 072 51 LH3	Blue/ Blue-grey			
	928 521 072 51 LH4	Burgundy/ Burgundy-grey			
	928 521 072 51 LH5	Grey-beige/ Brown-grey			
(4A)	928 521 071 54	Backrest cover Leather/ Centre part Checker board velour	/L	1	M437
	928 521 071 54 LH1	Black/ Light grey/black			
	928 521 071 54 LH2	Brown/ Brown-grey			
	928 521 071 54 LH3	Blue/ Blue-grey			
	928 521 071 54 LH4	Burgundy/ Burgundy-grey			
	928 521 071 54 LH5	Grey-beige/ Brown-grey			
(4A)	928 521 072 54	Backrest cover Leather/ Centre part Checker board velour	/R	1	M438
	928 521 072 54 LH1	Black/ Light grey/black			
	928 521 072 54 LH2	Brown/ Brown-grey			
	928 521 072 54 LH3	Blue/ Blue-grey			
	928 521 072 54 LH4	Burgundy/ Burgundy-grey			
	928 521 072 54 LH5	Grey-beige/ Brown-grey			
4A	928 521 072 51	Backrest cover Leather/ Centre part Uni-coloured cloth		2	
	928 521 072 51 JT4	Blue/blue			
	928 521 072 51 LJ1	Brown/brown			
	928 521 072 51 LJ3	Grey-beige/grey-beige			
	928 521 072 51 JN6	Black/black			
	928 521 072 51 LJ2	Burgundy/burgundy			
(4A)	928 521 071 54	Backrest cover Leather/ Centre part Uni-coloured cloth	/L	1	M437
	928 521 071 54 JT4	Blue/blue			
	928 521 071 54 LJ1	Brown/brown			
	928 521 071 54 LJ3	Grey-beige/grey-beige			
	928 521 071 54 JN6	Black/black			
	928 521 071 54 LJ2	Burgundy/burgundy			
(4A)	928 521 072 54	Backrest cover Leather/ Centre part	/R	1	M438

Model: 928 83 Model life 1983>>1986

Pos	Part Number	Description	Remark	Qty	Model
		Uni-coloured cloth			
	928 521 072 54 JT4	Blue/blue			
	928 521 072 54 LJ1	Brown/brown			
	928 521 072 54 LJ3	Grey-beige/grey-beige			
	928 521 072 54 JN6	Black/black			
	928 521 072 54 LJ2	Burgundy/burgundy			
4A	928 521 072 51	Backrest cover Leather/ Centre part Pin stripe velour		2	
	928 521 072 51 LS5	Black/ Black-white	84		
	928 521 072 51 LS6	Brown/ Brown-beige	84		
	928 521 072 51 LS8	Blue/ Blue-white	84		
	928 521 072 51 LS9	Burgundy/ Burgundy-white	84		
	928 521 072 51 LS7	Grey-beige/ Grey-beige-white	84		
(4A)	928 521 071 54	Backrest cover Leather/ Centre part Pin stripe velour	/L	1	M437
	928 521 071 54 LS5	Black/ Black-white	84		
	928 521 071 54 LS6	Brown/ Brown-beige	84		
	928 521 071 54 LS8	Blue/ Blue-white	84		
	928 521 071 54 LS9	Burgundy/ Burgundy-white	84		
	928 521 071 54 LS7	Grey-beige/ Grey-beige-white	84		
(4A)	928 521 072 54	Backrest cover Leather/ Centre part Pin stripe velour	/R	1	M438
	928 521 072 54 LS5	Black/ Black-white	84		
	928 521 072 54 LS6	Brown/ Brown-beige	84		
	928 521 072 54 LS8	Blue/ Blue-white	84		
	928 521 072 54 LS9	Burgundy/ Burgundy-white	84		
	928 521 072 54 LS7	Grey-beige/ Grey-beige-white	84		
4A	928 521 072 51	Backrest cover Leather/ Centre part Porsche lettering cloth		2	
	928 521 072 51 MN3	Black/black	84		
	928 521 072 51 MN4	Brown/brown	84		
	928 521 072 51 MN6	Blue/blue	84		
	928 521 072 51 MN7	Burgundy/burgundy	84		
	928 521 072 51 MN5	Grey-beige/grey-beige	84		
(4A)	928 521 071 54	Backrest cover Leather/ Centre part Porsche lettering cloth	/L	1	M437
	928 521 071 54 MN3	Black/black	84		
	928 521 071 54 MN4	Brown/brown	84		

Model: 928 83 Model life 1983>>1986

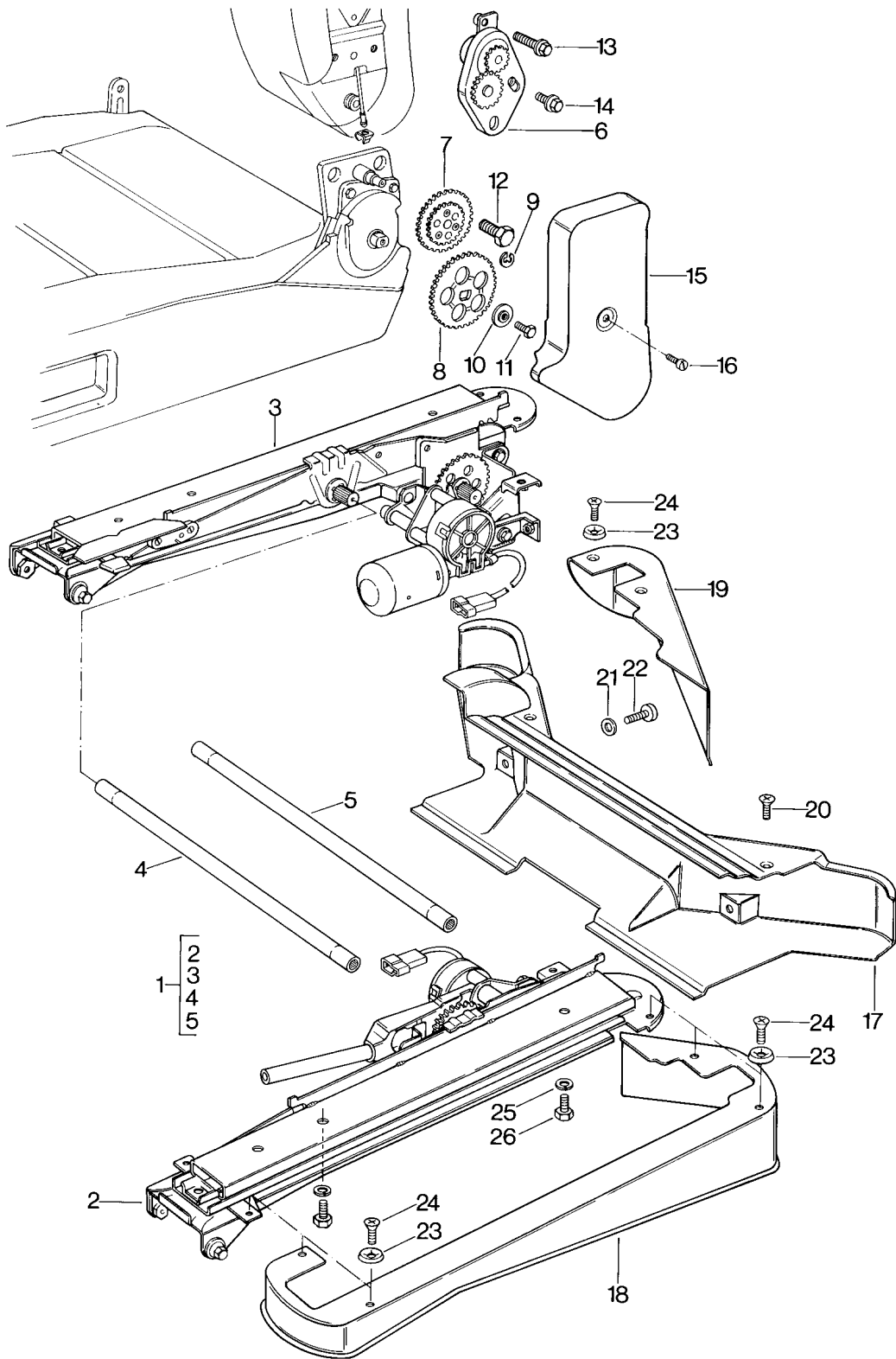
Pos	Part Number	Description	Remark	Qty	Model
(4A)	928 521 071 54 MN6	Blue/blue	84	1	M438
	928 521 071 54 MN7	Burgundy/burgundy	84		
	928 521 071 54 MN5	Grey-beige/grey-beige	84		
	928 521 072 54	Backrest cover Leather/ Centre part Porsche lettering cloth	/R		
	928 521 072 54 MN3	Black/black	84		
	928 521 072 54 MN4	Brown/brown	84		
	928 521 072 54 MN6	Blue/blue	84		
4B	928 521 072 54 MN7	Burgundy/burgundy	84	2	
	928 521 072 54 MN5	Grey-beige/grey-beige	84		
	928 521 072 52	Backrest cover Leather/ Backrest surface Berber cloth			
	928 521 072 52 JH1	Black/ Grey/black	83		
	928 521 072 52 JD4	Blue/ Blue/black	83		
	928 521 072 52 JH2	Brown/ Beige/brown	83		
	928 521 072 52 LH8	Burgundy/ Burgundy-grey	83		
(4B)	928 521 072 52 LH9	Grey-beige/grey-beige Grey-beige-grey	83	1	M437
	928 521 071 55	Backrest cover Leather/ Backrest surface Berber cloth	/L		
	928 521 071 55 JH1	Black/ Grey/black	83		
	928 521 071 55 JD4	Blue/ Blue/black	83		
	928 521 071 55 JH2	Brown/ Beige/brown	83		
	928 521 071 55 LH8	Burgundy/ Burgundy-grey	83		
	928 521 071 55 LH9	Grey-beige/ Grey-beige-grey	83		
(4B)	928 521 072 55	Backrest cover Leather/ Backrest surface Berber cloth	/R	1	M438
	928 521 072 55 JH1	Black/ Grey/black	83		
	928 521 072 55 JD4	Blue/ Blue/black	83		
	928 521 072 55 JH2	Brown/ Beige/brown	83		
	928 521 072 55 LH8	Burgundy/ Burgundy-grey	83		
	928 521 072 55 LH9	Grey-beige/ Grey-beige-grey	83		
	928 521 072 52	Backrest cover Leather/ Backrest surface Porsche lettering cloth			
4B	928 521 072 52 LR9	Black/black	84	2	
	928 521 072 52 LS1	Brown/brown	84		
	928 521 072 52 LS3	Blue/blue	84		
	928 521 072 52 LS4	Burgundy/burgundy	84		
	928 521 072 52 LS2	Grey-beige/grey-beige	84		

Model: 928 83 Model life 1983>>1986

Pos	Part Number	Description	Remark	Qty	Model
(4B)	928 521 071 55	Backrest cover Leather/ Backrest surface Porsche lettering cloth	/L	1	M437
	928 521 071 55 LR9	Black/black	84		
	928 521 071 55 LS1	Brown/brown	84		
	928 521 071 55 LS3	Blue/blue	84		
	928 521 071 55 LS4	Burgundy/burgundy	84		
	928 521 071 55 LS2	Grey-beige/grey-beige	84		
(4B)	928 521 072 55	Backrest cover Leather/ Backrest surface Porsche lettering cloth	/R	1	M438
	928 521 072 55 LR9	Black/black	84		
	928 521 072 55 LS1	Brown/brown	84		
	928 521 072 55 LS3	Blue/blue	84		
	928 521 072 55 LS4	Burgundy/burgundy	84		
	928 521 072 55 LS2	Grey-beige/grey-beige	84		
5	928 521 813 02	Support ring		2	
6	911 521 361 01	Wire pull		2	
7	911 521 369 00	Terminal		2	

Model: 928 83

Model life 1983>>1986

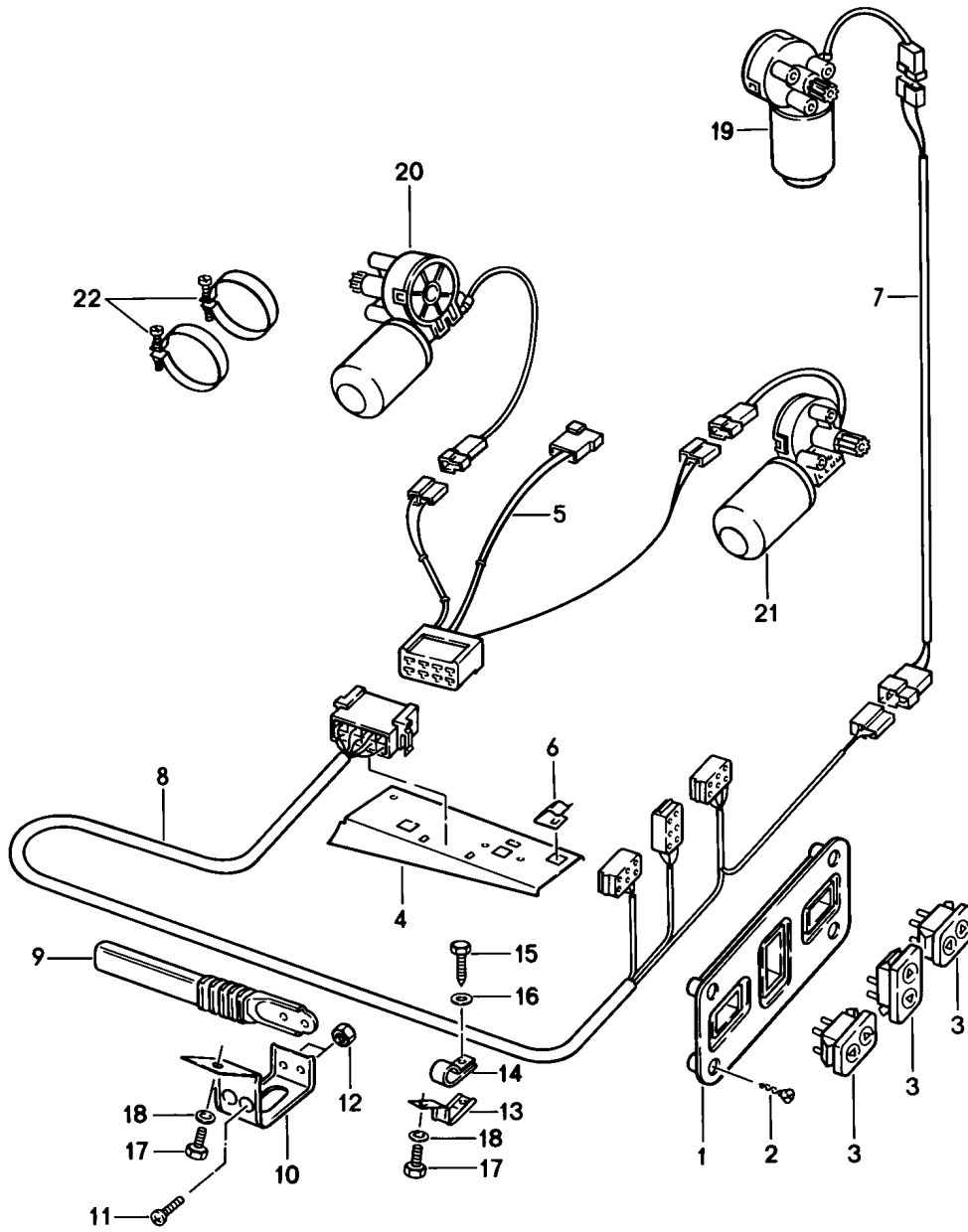


Model: 928 83 Model life 1983>>1986

Pos	Part Number	Description	Remark	Qty	Model
		Front seat	-84		
		Electrical equipment			
1	928 521 059 02	Seat adjuster	83	1	
(1)	928 521 059 03	Seat adjuster	84	1	
2	928 521 061 02	Driving mechanism	/L 83	1	
(2)	928 521 061 04	Driving mechanism	/L 84	1	
3	928 521 062 02	Driving mechanism	/R 83	1	
(3)	928 521 062 04	Driving mechanism	/R 84	1	
4	928 521 795 02	Transmission tube for longitudinal adjustment		2	
5	928 521 797 02	Transmission tube Height adjustment		2	
6	928 521 055 02	Bearing plate	/L	1	
(6)	928 521 056 02	Bearing plate	/R	1	
7	928 521 653 02	Gear wheel		1	
8	928 521 648 02	Gear wheel		1	
9	900 116 005 02	Lock washer 7		2	
10	928 521 705 02	Dished washer		2	
11	N 010 208 5	Hexagon-head bolt M 6 X 8		2	
12	911 521 547 00	Screw M 10 X 20		4	
13	999 217 005 02	Screw M 6 X 20		2	
14	999 217 003 02	Screw M 6 X 8		2	
15	928 521 785 02	Cover	/L	1	
(15)	928 521 786 02	Cover	/R	1	
16	N 014 122 17	Oval-head screw M 4 X 8		2	
16	N 014 122 8	Oval-head screw M 4 X 8		2	
16	N 014 122 17	Oval-head screw M 4 X 8		2	
17	928 521 781 04	Protection cap	/H	2	
18	928 521 761 04	Cover	/L	1	
(18)	928 521 764 04	Left seat Cover	/L	1	
(19)	928 521 762 04	Right seat Cover	/R	1	
19	928 521 763 04	Right seat Cover	/R	1	
20	900 269 015 07	Left seat Countersunk-head screw M 5 X 10		2	
21	900 025 003 02	Washer A 5,3		2	
22	900 146 037 07	Oval-head screw M 5 X 16		2	
23	999 591 102 17	Washer A 3,5		6	
23	999 591 102 1H	Washer A 3,5		6	
24	900 145 071 07	Tapping screw B 3,5 X 13		6	
25	N 012 006 4	Lock ring B 6		4	
26	N 014 761 2	Pan-head screw M 6 X 12		4	
26	900 119 129 01	Pan-head screw M 6 X 12		4	

Model: 928 83

Model life 1983>>1986



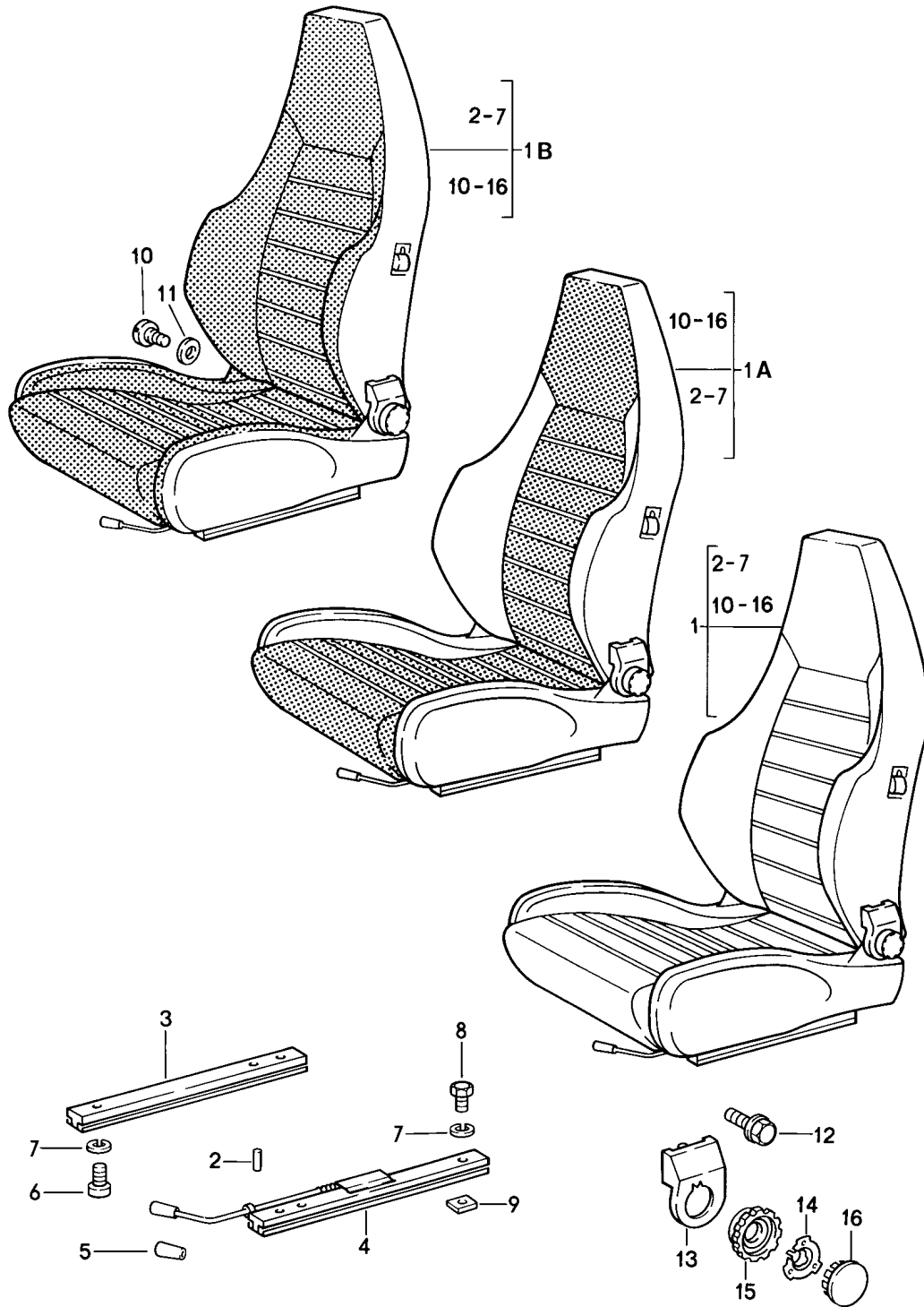
Model: 928 83

Model life 1983>>1986

Pos	Part Number	Description	Remark	Qty	Model
		Front seat	-84		
		Electrical equipment			
1	928 521 351 03	Rosette	83	1	
(1)	928 521 351 04	Rosette	84	1	
2	900 143 049 07	Tapping screw BZ 3,5 X 9,5		8	
3	928 613 144 00	Tip switch		6	
4	928 615 129 01	Relay holder		2	
5	928 612 174 03	Wiring harness	/L	1	
(5)	928 612 174 04	Wiring harness	/R	1	
6	999 651 146 02	Cable clamp		6	
7	928 612 175 00	Wiring harness		2	
8	928 612 173 02	Wiring harness		2	
9	928 555 551 03	Cable guide		2	
10	928 612 445 01	Support		2	
11	N 014 139 1B	Oval-head screw		4	
11	N 014 139 11	Oval-head screw M 6 X 12		4	
11	N 014 139 1B	Oval-head screw M 6 X 12		4	
12	900 076 010 0B	Nut		4	
12	900 076 010 02	Nut M 6		4	
12	900 076 010 0B	Nut M 6		4	
13	928 612 446 01	Support Wiring harness		2	
14	999 511 081 02	Pipe clamp		2	
15	900 187 013 02	Hexagon-head tapping screw BZ 4,2 X 13		6	
16	900 151 028 02	Washer 4,3		2	
16	900 151 028 01	Washer 4,3		2	
17	N 010 208 5	Hexagon-head bolt M 6 X 8		4	
18	N 012 226 5	Spring washer B 6		4	
19	928 624 123 00	Adjusting motor Backrest	/L	1	
(19)	928 624 124 00	Adjusting motor Backrest	/R	1	
20		Adjusting motor Height adjustment		2	
21	928 624 125 00	Adjusting motor for longitudinal adjustment		2	
22	999 512 341 02	Clamp		4	

Model: 928 83

Model life 1983>>1986



Model: 928 83 Model life 1983>>1986

Pos	Part Number	Description	Remark	Qty	Model
		Sports seat Manually adjustable Complete	-84		
1	911 521 007 61	Sports seat Leather	/L	1	
	911 521 007 61 KZ2	Black			
	911 521 007 61 KZ3	Blue			
	911 521 007 61 KZ5	Brown			
	911 521 007 61 LG7	Burgundy			
	911 521 007 61 KZ4	Grey-beige			
	911 521 007 61 KZ6	Can-can-red			
	911 521 007 61 LG4	Pearl white			
	911 521 007 61 LG5	Champagne			
	911 521 007 61 LG6	Dark green			
(1)	911 521 008 61	Sports seat Leather	/R	1	
	911 521 008 61 KZ2	Black			
	911 521 008 61 KZ3	Blue			
	911 521 008 61 KZ5	Brown			
	911 521 008 61 LG7	Burgundy			
	911 521 008 61 KZ4	Grey-beige			
	911 521 008 61 KZ6	Can-can-red			
	911 521 008 61 LG4	Pearl white			
	911 521 008 61 LG5	Champagne			
	911 521 008 61 LG6	Dark green			
1A	911 521 007 62	Sports seat Leather/ Centre part	/L	1	
	911 521 007 62 LH1	Checker board velour Black/ Light grey/black			
	911 521 007 62 LH2	Brown/ Brown-grey			
	911 521 007 62 LH3	Blue/ Blue-grey			
	911 521 007 62 LH4	Burgundy/ Burgundy-grey			
	911 521 007 62 LH5	Grey-beige/ Brown-grey			
(1A)	911 521 008 62	Sports seat Leather/ Centre part	/R	1	
	911 521 008 62 LH1	Checker board velour Black/ Light grey/black			
	911 521 008 62 LH2	Brown/ Brown-grey			
	911 521 008 62 LH3	Blue/ Blue-grey			
	911 521 008 62 LH4	Burgundy/ Burgundy-grey			
	911 521 008 62 LH5	Grey-beige/ Brown-grey			
1A	911 521 007 62	Sports seat Leather/ Centre part	/L	1	
	911 521 007 62 JN6	Uni-coloured cloth Black/black			
	911 521 007 62 LJ1	Brown/brown			
	911 521 007 62 JT4	Blue/blue			
	911 521 007 62 LJ2	Burgundy/burgundy			
	911 521 007 62 LJ3	Grey-beige/grey-beige			
(1A)	911 521 008 62	Sports seat	/R	1	

Model: 928 83 Model life 1983>>1986

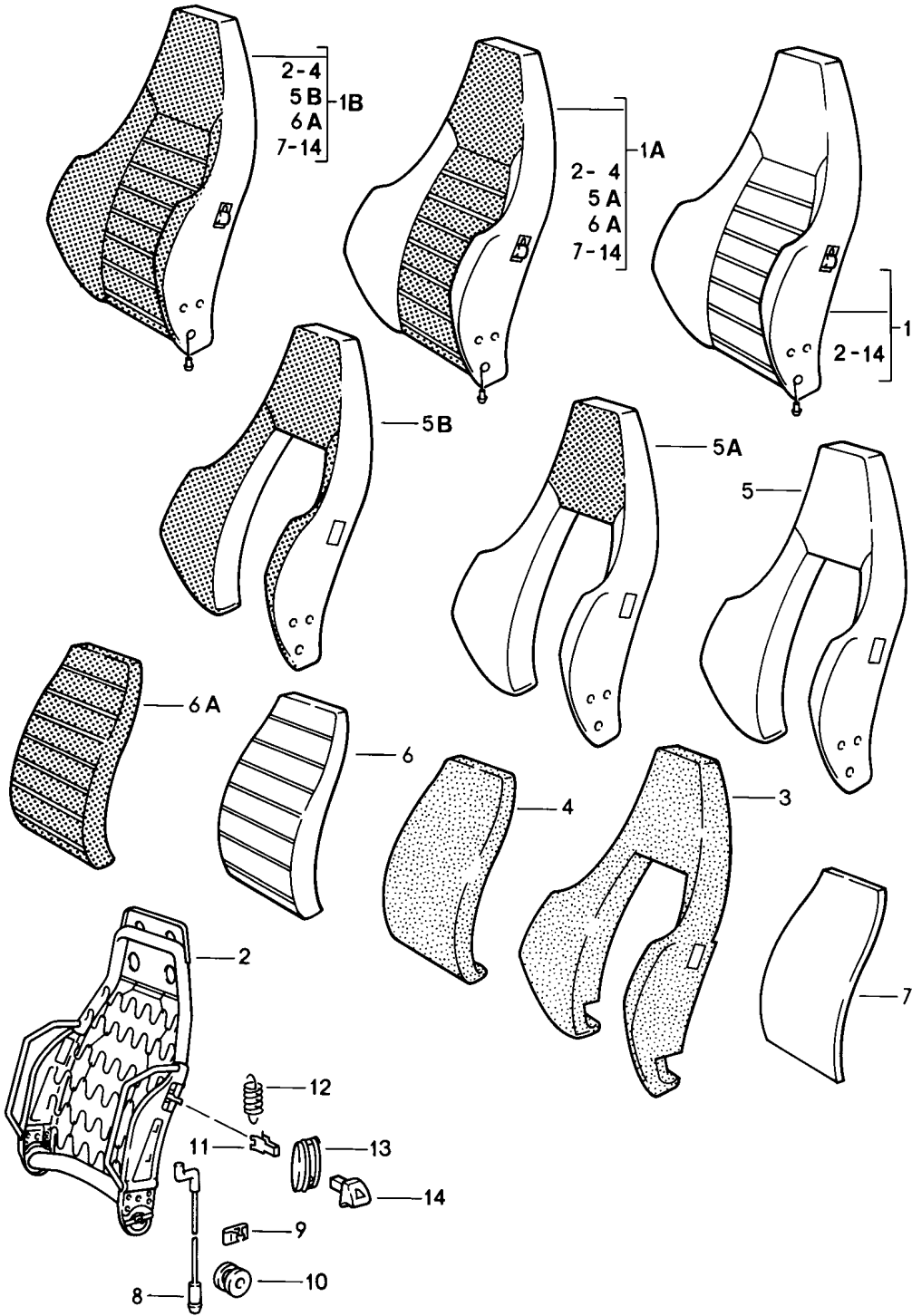
Pos	Part Number	Description	Remark	Qty	Model
		Leather/ Centre part Uni-coloured cloth			
	911 521 008 62 JN6	Black/black			
	911 521 008 62 LJ1	Brown/brown			
	911 521 008 62 JT4	Blue/blue			
	911 521 008 62 LJ2	Burgundy/burgundy			
	911 521 008 62 LJ3	Grey-beige/grey-beige			
1A	911 521 007 62	Sports seat Leather/ Centre part Pin stripe velour	/L	1	
	911 521 007 62 LS5	Black/ Black-white	84 84		
	911 521 007 62 LS6	Brown/ Brown-beige	84 84		
	911 521 007 62 LS8	Blue/ Blue-white	84 84		
	911 521 007 62 LS9	Burgundy/ Burgundy-white	84 84		
	911 521 007 62 LS7	Grey-beige/ Grey-beige-white	84 84		
(1A)	911 521 008 62	Sports seat Leather/ Centre part Pin stripe velour	/R	1	
	911 521 008 62 LS5	Black/ Black-white	84 84		
	911 521 008 62 LS6	Brown/ Brown-beige	84 84		
	911 521 008 62 LS8	Blue/ Blue-white	84 84		
	911 521 008 62 LS9	Burgundy/ Burgundy-white	84 84		
	911 521 008 62 LS7	Grey-beige/ Grey-beige-white	84 84		
1A	911 521 007 62	Sports seat Leather/ Centre part Porsche lettering cloth	/L	1	
	911 521 007 62 MN3	Black/black	84		
	911 521 007 62 MN4	Brown/brown	84		
	911 521 007 62 MN6	Blue/blue	84		
	911 521 007 62 MN7	Burgundy/burgundy	84		
	911 521 007 62 MN5	Grey-beige/grey-beige	84		
(1A)	911 521 008 62	Sports seat Leather/ Centre part Porsche lettering cloth	/R	1	
	911 521 008 62 MN3	Black/black	84		
	911 521 008 62 MN4	Brown/brown	84		
	911 521 008 62 MN6	Blue/blue	84		
	911 521 008 62 MN7	Burgundy/burgundy	84		
	911 521 008 62 MN5	Grey-beige/grey-beige	84		
1B	911 521 007 63	Sports seat Leather/ Seat and backrest surface Porsche lettering cloth	/L	1	
	911 521 007 63 LR9	Black/black	84		
	911 521 007 63 LS1	Brown/brown	84		
	911 521 007 63 LS3	Blue/blue	84		
	911 521 007 63 LS4	Burgundy/burgundy	84		
	911 521 007 63 LS2	Grey-beige/grey-beige	84		

Model: 928 83 Model life 1983>>1986

Pos	Part Number	Description	Remark	Qty	Model
(1B)	911 521 008 63	Sports seat Leather/ Seat and backrest surface Porsche lettering cloth	/R	1	
	911 521 008 63 LR9	Black/black	84		
	911 521 008 63 LS1	Brown/brown	84		
	911 521 008 63 LS3	Blue/blue	84		
	911 521 008 63 LS4	Burgundy/burgundy	84		
	911 521 008 63 LS2	Grey-beige/grey-beige	84		
2	900 012 123 00	Pin A 2,5 X 12		2	
3	944 521 491 00	Seat rail		2	
3		Seat rail without locking device See TPI GR.8 NR.34		2	
4	928 521 489 02	Seat rail with locking device	/L	1	
(4)	928 521 490 02	Seat rail with locking device	/R	1	
(5)	911 521 533 01	Handle for longitudinal adjustment		2	
6	911 521 533 01 01C N 014 761 2	Satin black Pan-head screw M 6 X 12		8	
6	900 119 129 01	Pan-head screw M 6 X 12		8	
7	N 012 006 4	Lock ring B 6		16	
8	900 075 057 03	Hexagon-head bolt		8	
8	900 075 057 02	Hexagon-head bolt M 6 X 16		8	
8	900 075 057 03	Hexagon-head bolt M 6 X 16		8	
9	928 521 101 04	Threaded plate		8	
10	911 521 371 00	Screw		2	
11	999 025 117 40	Washer 12,5 X 32 X 1		X	
12	911 521 547 00	Screw M 10 X 20		8	
13	911 521 359 02	Cover	/L	1	
(13)	911 521 360 02	Cover	/R	1	
14	911 521 571 00	Tensioning spring		2	
(15)	911 521 381 02	Cover for backrest adjustment Comprising: POS. 15 Shifting wheel POS. 16 Cover		2	
15	911 521 381 00	Shifting wheel		2	
16	911 521 383 00	Cover		2	
16	911 521 381 02	Cover		2	

Model: 928 83

Model life 1983>>1986



Model: 928 83 Model life 1983>>1986

Pos	Part Number	Description	Remark	Qty	Model
		Sports seat Manually adjustable Backrest Single parts	-84		
1	911 521 603 50	Backrest Leather	/L	1	
	911 521 603 50 KZ2	Black			
	911 521 603 50 KZ3	Blue			
	911 521 603 50 KZ5	Brown			
	911 521 603 50 LG7	Burgundy			
	911 521 603 50 KZ4	Grey-beige			
	911 521 603 50 KZ6	Can-can-red			
	911 521 603 50 LG4	Pearl white			
	911 521 603 50 LG5	Champagne			
	911 521 603 50 LG6	Dark green			
(1)	911 521 604 50	Backrest Leather	/R	1	
	911 521 604 50 KZ2	Black			
	911 521 604 50 KZ3	Blue			
	911 521 604 50 KZ5	Brown			
	911 521 604 50 LG7	Burgundy			
	911 521 604 50 KZ4	Grey-beige			
	911 521 604 50 KZ6	Can-can-red			
	911 521 604 50 LG4	Pearl white			
	911 521 604 50 LG5	Champagne			
	911 521 604 50 LG6	Dark green			
1A	911 521 603 51	Backrest Leather/ Centre part Checker board velour	/L	1	
	911 521 603 51 LH1	Black/ Light grey/black			
	911 521 603 51 LH2	Brown/ Brown-grey			
	911 521 603 51 LH3	Blue/ Blue-grey			
	911 521 603 51 LH4	Burgundy/ Burgundy-grey			
	911 521 603 51 LH5	Grey-beige/ Brown-grey			
(1A)	911 521 604 51	Backrest Leather/ Centre part Checker board velour	/R	1	
	911 521 604 51 LH1	Black/ Light grey/black			
	911 521 604 51 LH2	Brown/ Brown-grey			
	911 521 604 51 LH3	Blue/ Blue-grey			
	911 521 604 51 LH4	Burgundy/ Burgundy-grey			
	911 521 604 51 LH5	Grey-beige/ Brown-grey			
1A	911 521 603 51	Backrest Leather/ Centre part Uni-coloured cloth	/L	1	
	911 521 603 51 JN6	Black/black			
	911 521 603 51 LJ1	Brown/brown			
	911 521 603 51 JT4	Blue/blue			
	911 521 603 51 LJ2	Burgundy/burgundy			
	911 521 603 51 LJ3	Grey-beige/grey-beige			

Model: 928 83 Model life 1983>>1986

Pos	Part Number	Description	Remark	Qty	Model
(1A)	911 521 604 51	Backrest Leather/ Centre part Uni-coloured cloth	/R	1	
	911 521 604 51 JN6	Black/black			
	911 521 604 51 LJ1	Brown/brown			
	911 521 604 51 JT4	Blue/blue			
	911 521 604 51 LJ2	Burgundy/burgundy			
	911 521 604 51 LJ3	Grey-beige/grey-beige			
1A	911 521 603 51	Backrest Leather/ Centre part Pin stripe velour	/L	1	
	911 521 603 51 LS5	Black/ Black-white	84		
	911 521 603 51 LS6	Brown/ Brown-beige	84		
	911 521 603 51 LS8	Blue/ Blue-white	84		
	911 521 603 51 LS9	Burgundy/ Burgundy-white	84		
	911 521 603 51 LS7	Grey-beige/ Grey-beige-white	84		
(1A)	911 521 604 51	Backrest Leather/ Centre part Pin stripe velour	/R	1	
	911 521 604 51 LS5	Black/ Black-white	84		
	911 521 604 51 LS6	Brown/ Brown-beige	84		
	911 521 604 51 LS8	Blue/ Blue-white	84		
	911 521 604 51 LS9	Burgundy/ Burgundy-white	84		
	911 521 604 51 LS7	Grey-beige/ Grey-beige-white	84		
1A	911 521 603 51	Backrest Leather/ Centre part Porsche lettering cloth	/L	1	
	911 521 603 51 MN3	Black/black	84		
	911 521 603 51 MN4	Brown/brown	84		
	911 521 603 51 MN6	Blue/blue	84		
	911 521 603 51 MN7	Burgundy/burgundy	84		
	911 521 603 51 MN5	Grey-beige/grey-beige	84		
(1A)	911 521 604 51	Backrest Leather/ Centre part Porsche lettering cloth	/R	1	
	911 521 604 51 MN3	Black/black	84		
	911 521 604 51 MN4	Brown/brown	84		
	911 521 604 51 MN6	Blue/blue	84		
	911 521 604 51 MN7	Burgundy/burgundy	84		
	911 521 604 51 MN5	Grey-beige/grey-beige	84		
1B	911 521 603 52	Backrest Leather/ Backrest surface Porsche lettering cloth	/L	1	
	911 521 603 52 LR9	Black/black	84		
	911 521 603 52 LS1	Brown/brown	84		
	911 521 603 52 LS3	Blue/blue	84		
	911 521 603 52 LS4	Burgundy/burgundy	84		

Model: 928 83 Model life 1983>>1986

Pos	Part Number	Description	Remark	Qty	Model
(1B)	911 521 603 52 LS2	Grey-beige/grey-beige	84		
	911 521 604 52	Backrest Leather/ Backrest surface Porsche lettering cloth	/R	1	
	911 521 604 52 LR9	Black/black	84		
	911 521 604 52 LS1	Brown/brown	84		
	911 521 604 52 LS3	Blue/blue	84		
	911 521 604 52 LS4	Burgundy/burgundy	84		
	911 521 604 52 LS2	Grey-beige/grey-beige	84		
2	911 521 613 02	Backrest frame	/L	1	
2		Backrest frame	/L	1	
(2)	911 521 614 02	Backrest frame	/R	1	
(2)		Backrest frame	/R	1	
3	911 521 751 02	Foam part Backrest side bolster		2	
4	911 521 104 02	Foam part Backrest cushion		2	
5	911 521 072 70	Backrest side bolster cover Leather		2	
	911 521 072 70 KZ2	Black			
	911 521 072 70 KZ3	Blue			
	911 521 072 70 KZ5	Brown			
	911 521 072 70 LG7	Burgundy			
	911 521 072 70 KZ4	Grey-beige			
	911 521 072 70 KZ6	Can-can-red			
	911 521 072 70 LG4	Pearl white			
	911 521 072 70 LG5	Champagne			
	911 521 072 70 LG6	Dark green			
5A	911 521 072 71	Backrest side bolster cover Leather/ Head rest Checker board velour		2	
	911 521 072 71 LH1	Black/ Light grey/black			
	911 521 072 71 LH2	Brown/ Brown-grey			
	911 521 072 71 LH3	Blue/ Blue-grey			
	911 521 072 71 LH4	Burgundy/ Burgundy-grey			
	911 521 072 71 LH5	Grey-beige/ Brown-grey			
5A	911 521 072 71	Backrest side bolster cover Leather/ Head rest Uni-coloured cloth		2	
	911 521 072 71 JN6	Black/black			
	911 521 072 71 LJ1	Brown/brown			
	911 521 072 71 JT4	Blue/blue			
	911 521 072 71 LJ2	Burgundy/burgundy			
	911 521 072 71 LJ3	Grey-beige/grey-beige			
5A	911 521 072 71	Backrest side bolster cover Leather/ Head rest Pin stripe velour		2	
	911 521 072 71 LS5	Black/ Black-white	84		
	911 521 072 71 LS6	Brown/ Brown-beige	84		
	911 521 072 71 LS8	Blue/ Blue-white	84		
	911 521 072 71 LS9	Burgundy/ Burgundy-	84		

Model: 928 83 Model life 1983>>1986

Pos	Part Number	Description	Remark	Qty	Model
	911 521 072 71 LS7	Burgundy-white Grey-beige/ Grey-beige-white	84		
5A	911 521 072 71	Backrest side bolster cover Leather/ Head rest Porsche lettering cloth		2	
	911 521 072 71 MN3	Black/black	84		
	911 521 072 71 MN4	Brown/brown	84		
	911 521 072 71 MN6	Blue/blue	84		
	911 521 072 71 MN7	Burgundy/burgundy	84		
	911 521 072 71 MN5	Grey-beige/grey-beige	84		
5B	911 521 072 72	Backrest side bolster cover Leather/ Backrest surface Porsche lettering cloth		2	
	911 521 072 72 LR9	Black/black	84		
	911 521 072 72 LS1	Brown/brown	84		
	911 521 072 72 LS3	Blue/blue	84		
	911 521 072 72 LS4	Burgundy/burgundy	84		
	911 521 072 72 LS2	Grey-beige/grey-beige	84		
6	911 521 403 50	Backrest cushion cover Leather		2	
	911 521 403 50 KZ2	Black			
	911 521 403 50 KZ3	Blue			
	911 521 403 50 KZ5	Brown			
	911 521 403 50 LG7	Burgundy			
	911 521 403 50 KZ4	Grey-beige			
	911 521 403 50 KZ6	Can-can-red			
	911 521 403 50 LG4	Pearl white			
	911 521 403 50 LG5	Champagne			
	911 521 403 50 LG6	Dark green			
6A	911 521 403 06	Backrest cushion cover Checker board velour		2	
	911 521 403 06 4FH	Light grey/black			
	911 521 403 06 5RH	Brown-grey			
	911 521 403 06 7GH	Blue-grey			
	911 521 403 06 9LH	Burgundy-grey			
6A	911 521 403 06	Backrest cushion cover Uni-coloured cloth		2	
	911 521 403 06 70F	Black			
	911 521 403 06 7NU	Brown			
	911 521 403 06 30C	Blue			
	911 521 403 06 5MU	Burgundy			
	911 521 403 06 8FU	Grey-beige			
6A	911 521 403 06	Backrest cushion cover Pin stripe velour		2	
	911 521 403 06 7BN	Black-white			
	911 521 403 06 3NN	Beige/brown			
	911 521 403 06 8GJ	Blue-white			
	911 521 403 06 1MJ	Burgundy-white			
	911 521 403 06 9FN	Grey-beige-white			
6A	911 521 403 06	Backrest cushion cover Porsche lettering cloth		2	
	911 521 403 06 4CR	Black			
	911 521 403 06 6TR	Brown			
	911 521 403 06 5HR	Blue			
	911 521 403 06 2LR	Burgundy			
	911 521 403 06 8RR	Grey-beige			
7	911 521 575 00	Filler piece		2	
8	911 521 361 00	Wire pull		2	
8	911 521 361 02	Wire pull		2	
9	911 521 369 00	Terminal		2	

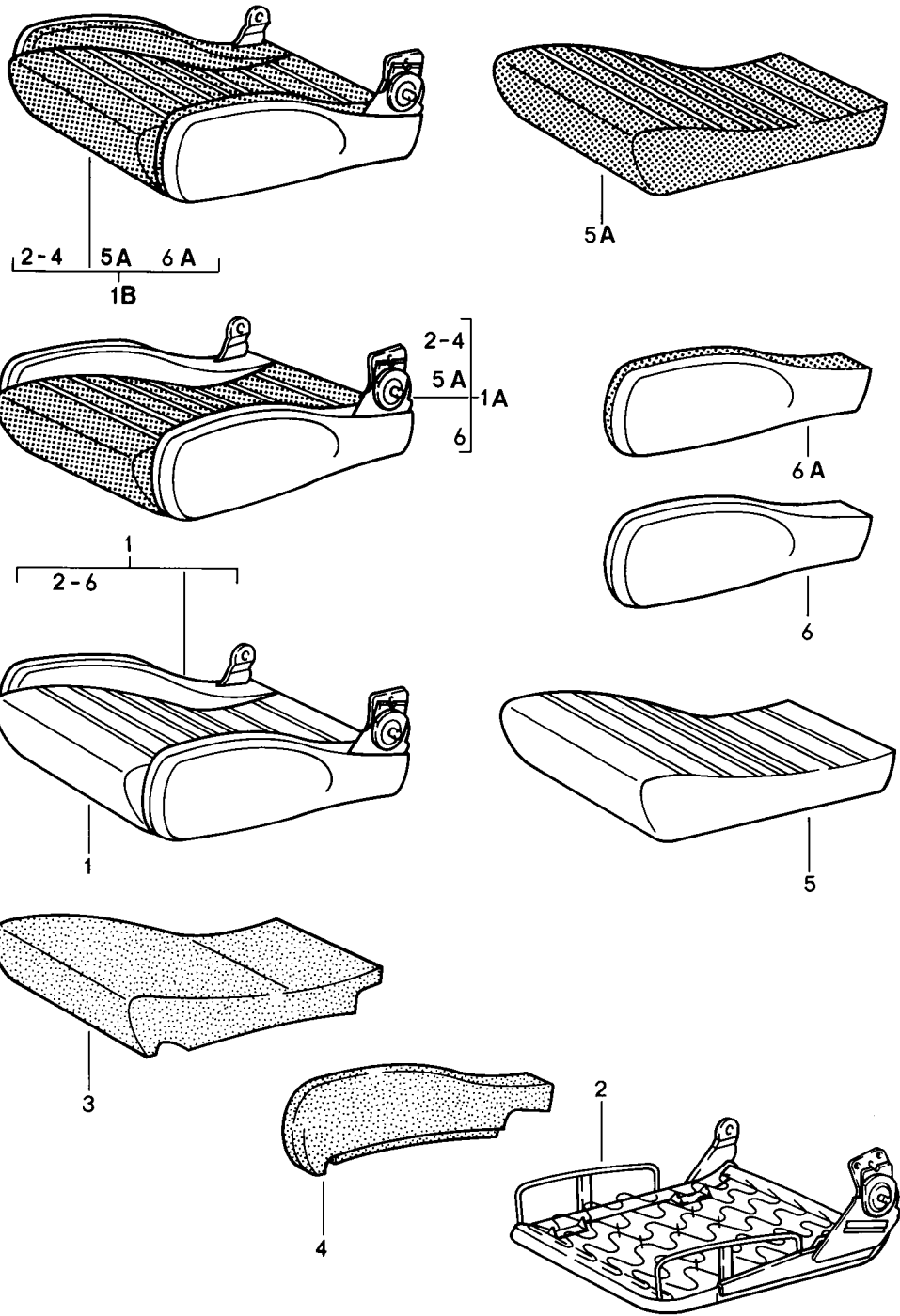
Model: 928 83

Model life 1983>>1986

Pos	Part Number	Description	Remark	Qty	Model
10	911 521 343 00	Wire pull		2	
11	311 881 247	Guide bush		2	
12	311 881 287 A	Clip		2	
		Tension spring		2	
		Actuating lever			
13	911 521 815 00	Rosette		2	
		Actuating lever			
	911 521 815 00 01C	Satin black			
14	911 521 817 00	Control button		2	
	911 521 817 00 01C	Satin black			

Model: 928 83

Model life 1983>>1986



Model: 928 83

Model life 1983>>1986

Pos	Part Number	Description	Remark	Qty	Model
		Sports seat Manually adjustable Cushion Single parts	-84		
1	911 521 605 50	Seat cushion Leather	/L	1	
	911 521 605 50 KZ2	Black			
	911 521 605 50 KZ3	Blue			
	911 521 605 50 KZ5	Brown			
	911 521 605 50 LG7	Burgundy			
	911 521 605 50 KZ4	Grey-beige			
	911 521 605 50 KZ6	Can-can-red			
	911 521 605 50 LG4	Pearl white			
	911 521 605 50 LG5	Champagne			
	911 521 605 50 LG6	Dark green			
(1)	911 521 606 50	Seat cushion Leather	/R	1	
	911 521 606 50 KZ2	Black			
	911 521 606 50 KZ3	Blue			
	911 521 606 50 KZ5	Brown			
	911 521 606 50 LG7	Burgundy			
	911 521 606 50 KZ4	Grey-beige			
	911 521 606 50 KZ6	Can-can-red			
	911 521 606 50 LG4	Pearl white			
	911 521 606 50 LG5	Champagne			
	911 521 606 50 LG6	Dark green			
1A	911 521 605 51	Seat cushion Leather/ Centre part Checker board velour	/L	1	
	911 521 605 51 LH1	Black/ Light grey/black			
	911 521 605 51 LH2	Brown/ Brown-grey			
	911 521 605 51 LH3	Blue/ Blue-grey			
	911 521 605 51 LH4	Burgundy/ Burgundy-grey			
	911 521 605 51 LH5	Grey-beige/ Brown-grey			
(1A)	911 521 606 51	Seat cushion Leather/ Centre part Checker board velour	/R	1	
	911 521 606 51 LH1	Black/ Light grey/black			
	911 521 606 51 LH2	Brown/ Brown-grey			
	911 521 606 51 LH3	Blue/ Blue-grey			
	911 521 606 51 LH4	Burgundy/ Burgundy-grey			
	911 521 606 51 LH5	Grey-beige/ Brown-grey			
1A	911 521 605 51	Seat cushion Leather/ Centre part Uni-coloured cloth	/L	1	
	911 521 605 51 JN6	Black/black			
	911 521 605 51 LJ1	Brown/brown			
	911 521 605 51 JT4	Blue/blue			
	911 521 605 51 LJ2	Burgundy/burgundy			
	911 521 605 51 LJ3	Grey-beige/grey-beige			

Model: 928 83 Model life 1983>>1986

Pos	Part Number	Description	Remark	Qty	Model
(1A)	911 521 606 51	Seat cushion Leather/ Centre part Uni-coloured cloth	/R	1	
	911 521 606 51 JN6	Black/black			
	911 521 606 51 LJ1	Brown/brown			
	911 521 606 51 JT4	Blue/blue			
	911 521 606 51 LJ2	Burgundy/burgundy			
	911 521 606 51 LJ3	Grey-beige/grey-beige			
1A	911 521 605 51	Seat cushion Leather/ Centre part Pin stripe velour	/L	1	
	911 521 605 51 LS5	Black/ Black-white	84		
	911 521 605 51 LS6	Brown/ Brown-beige	84		
	911 521 605 51 LS8	Blue/ Blue-white	84		
	911 521 605 51 LS9	Burgundy/ Burgundy-white	84		
	911 521 605 51 LS7	Grey-beige/ Grey-beige-white	84		
(1A)	911 521 606 51	Seat cushion Leather/ Centre part Pin stripe velour	/R	1	
	911 521 606 51 LS5	Black/ Black-white	84		
	911 521 606 51 LS6	Brown/ Brown-beige	84		
	911 521 606 51 LS8	Blue/ Blue-white	84		
	911 521 606 51 LS9	Burgundy/ Burgundy-white	84		
	911 521 606 51 LS7	Grey-beige/ Grey-beige-white	84		
1A	911 521 605 51	Seat cushion Leather/ Centre part Porsche lettering cloth	/L	1	
	911 521 605 51 MN3	Black/black	84		
	911 521 605 51 MN4	Brown/brown	84		
	911 521 605 51 MN6	Blue/blue	84		
	911 521 605 51 MN7	Burgundy/burgundy	84		
	911 521 605 51 MN5	Grey-beige/grey-beige	84		
(1A)	911 521 606 51	Seat cushion Leather/ Centre part Porsche lettering cloth	/R	1	
	911 521 606 51 MN3	Black/black	84		
	911 521 606 51 MN4	Brown/brown	84		
	911 521 606 51 MN6	Blue/blue	84		
	911 521 606 51 MN7	Burgundy/burgundy	84		
	911 521 606 51 MN5	Grey-beige/grey-beige	84		
1B	911 521 605 52	Seat cushion Seat surface Porsche lettering cloth	/L	1	
	911 521 605 52 LR9	Black/black			
	911 521 605 52 LS1	Brown/brown			
	911 521 605 52 LS3	Blue/blue			
	911 521 605 52 LS4	Burgundy/burgundy			
	911 521 605 52 LS2	Grey-beige/grey-beige			

Model: 928 83 Model life 1983>>1986

Pos	Part Number	Description	Remark	Qty	Model
(1B)	911 521 606 52	Seat cushion Seat surface Porsche lettering cloth	/R	1	
	911 521 606 52 LR9	Black/black			
	911 521 606 52 LS1	Brown/brown			
	911 521 606 52 LS3	Blue/blue			
	911 521 606 52 LS4	Burgundy/burgundy			
	911 521 606 52 LS2	Grey-beige/grey-beige			
2	911 521 621 01	Seat frame	/L	1	
(2)	911 521 622 01	Seat frame	/R	1	
3	911 521 697 02	Foam part Seat cushion		2	
4	911 521 683 02	Foam part Seat side bolster Left seat	/L	1	
(4)	911 521 654 02	Foam part Seat side bolster Left seat	/R	1	
(4)	911 521 653 02	Foam part Seat side bolster Right seat	/L	1	
(4)	911 521 684 02	Foam part Seat side bolster Right seat	/R	1	
5	911 521 439 50	Cover for cushion Leather		2	
	911 521 439 50 KZ2	Black			
	911 521 439 50 KZ3	Blue			
	911 521 439 50 KZ5	Brown			
	911 521 439 50 LG7	Burgundy			
	911 521 439 50 KZ4	Grey-beige			
	911 521 439 50 KZ6	Can-can-red			
	911 521 439 50 LG4	Pearl white			
	911 521 439 50 LG5	Champagne			
	911 521 439 50 LG6	Dark green			
5A	911 521 439 06	Cover for cushion Checker board velour		2	
	911 521 439 06 4FH	Light grey/black			
	911 521 439 06 5RH	Brown-grey			
	911 521 439 06 7GH	Blue-grey			
	911 521 439 06 9LH	Burgundy-grey			
5A	911 521 439 06	Cover for cushion Uni-coloured cloth		2	
	911 521 439 06 70F	Black			
	911 521 439 06 7NU	Brown			
	911 521 439 06 30C	Blue			
	911 521 439 06 5MU	Burgundy			
	911 521 439 06 8FU	Grey-beige			
5A	911 521 439 06	Cover for cushion Pin stripe velour		2	
	911 521 439 06 7BN	Black-white	84		
	911 521 439 06 3NN	Brown-beige	84		
	911 521 439 06 8GJ	Blue-white	84		
	911 521 439 06 1MJ	Burgundy-white	84		
	911 521 439 06 9FN	Grey-beige-white	84		
5A	911 521 439 06	Cover for cushion Porsche lettering cloth		2	
	911 521 439 06 4CR	Black			
	911 521 439 06 6TR	Brown			
	911 521 439 06 5HR	Blue			
	911 521 439 06 2LR	Burgundy			
	911 521 439 06 8RR	Grey-beige			
6	911 521 631 50	Seat side bolster cover	/L	1	

Model: 928 83 Model life 1983>>1986

Pos	Part Number	Description	Remark	Qty	Model
		Left seat			
		Leather			
	911 521 631 50 KZ2	Black			
	911 521 631 50 KZ3	Blue			
	911 521 631 50 KZ5	Brown			
	911 521 631 50 LG7	Burgundy			
	911 521 631 50 KZ4	Grey-beige			
	911 521 631 50 KZ6	Can-can-red			
	911 521 631 50 LG4	Pearl white			
	911 521 631 50 LG5	Champagne			
	911 521 631 50 LG6	Dark green			
(6)	911 521 632 50	Seat side bolster cover	/R	1	
		Left seat			
		Leather			
	911 521 632 50 KZ2	Black			
	911 521 632 50 KZ3	Blue			
	911 521 632 50 KZ5	Brown			
	911 521 632 50 LG7	Burgundy			
	911 521 632 50 KZ4	Grey-beige			
	911 521 632 50 KZ6	Can-can-red			
	911 521 632 50 LG4	Pearl white			
	911 521 632 50 LG5	Champagne			
	911 521 632 50 LG6	Dark green			
(6)	911 521 633 50	Seat side bolster cover	/L	1	
		Right seat			
		Leather			
	911 521 633 50 KZ2	Black			
	911 521 633 50 KZ3	Blue			
	911 521 633 50 KZ5	Brown			
	911 521 633 50 LG7	Burgundy			
	911 521 633 50 KZ4	Grey-beige			
	911 521 633 50 KZ6	Can-can-red			
	911 521 633 50 LG4	Pearl white			
	911 521 633 50 LG5	Champagne			
	911 521 633 50 LG6	Dark green			
(6)	911 521 634 50	Seat side bolster cover	/R	1	
		Right seat			
		Leather			
	911 521 634 50 KZ2	Black			
	911 521 634 50 KZ3	Blue			
	911 521 634 50 KZ5	Brown			
	911 521 634 50 LG7	Burgundy			
	911 521 634 50 KZ4	Grey-beige			
	911 521 634 50 KZ6	Can-can-red			
	911 521 634 50 LG4	Pearl white			
	911 521 634 50 LG5	Champagne			
	911 521 634 50 LG6	Dark green			
6A	911 521 631 51	Seat side bolster cover	/L	1	
		Left seat			
		Leather/			
		Seat surface			
		Porsche lettering cloth			
	911 521 631 51 LR9	Black/black	84		
	911 521 631 51 LS1	Brown/brown	84		
	911 521 631 51 LS3	Blue/blue	84		
	911 521 631 51 LS4	Burgundy/burgundy	84		
	911 521 631 51 LS2	Grey-beige/grey-beige	84		
(6A)	911 521 632 51	Seat side bolster cover	/R	1	
		Left seat			
		Leather/			
		Seat surface			
		Porsche lettering cloth			
	911 521 632 51 LR9	Black/black	84		

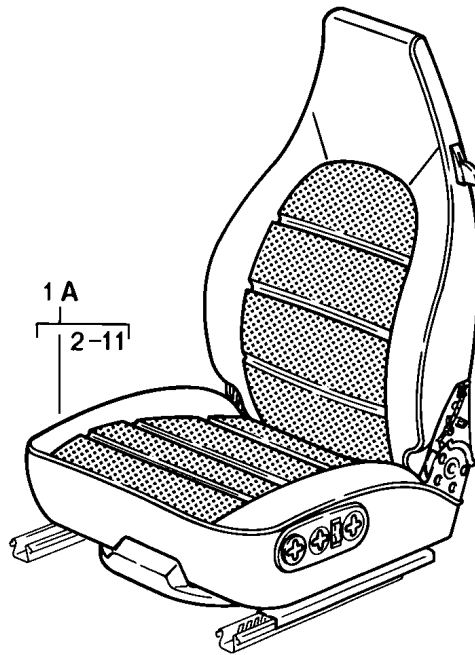
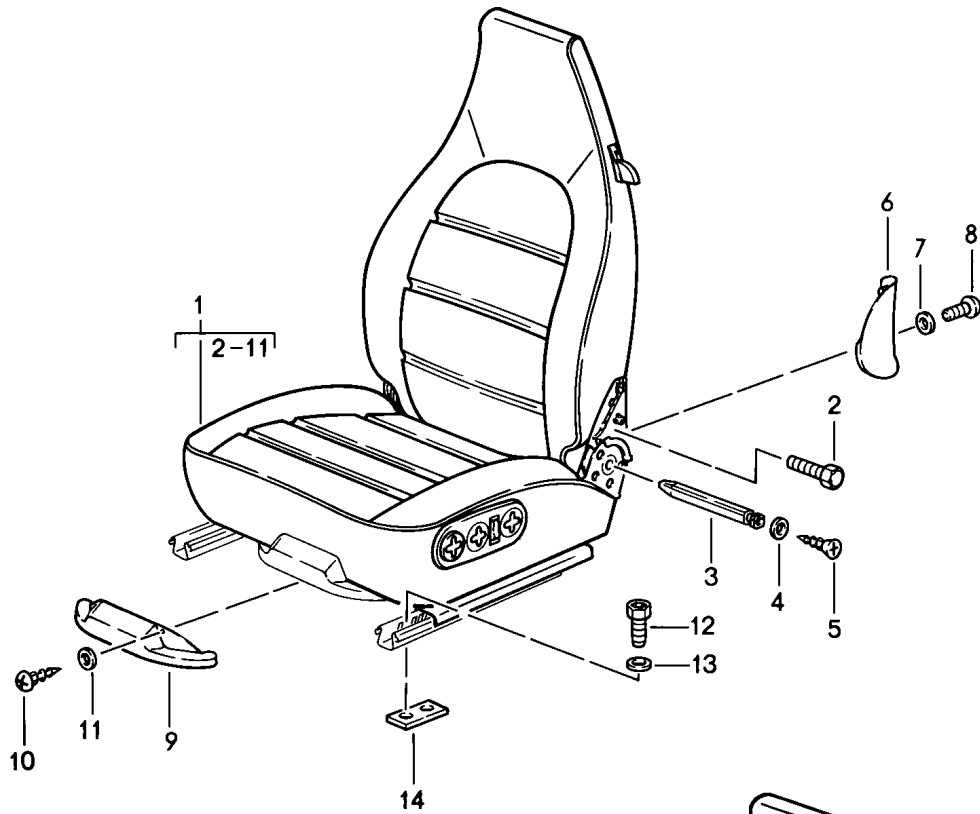
Model: 928 83

Model life 1983>>1986

Pos	Part Number	Description	Remark	Qty	Model
(6A)	911 521 632 51 LS1	Brown/brown	84	1	
	911 521 632 51 LS3	Blue/blue	84		
	911 521 632 51 LS4	Burgundy/burgundy	84		
	911 521 632 51 LS2	Grey-beige/grey-beige	84		
	911 521 633 51	Seat side bolster cover	/L		
		Right seat			
		Leather/			
		Seat surface			
		Porsche lettering cloth			
		911 521 633 51 LR9	Black/black		
(6A)	911 521 633 51 LS1	Brown/brown	84	1	
	911 521 633 51 LS3	Blue/blue	84		
	911 521 633 51 LS4	Burgundy/burgundy	84		
	911 521 633 51 LS2	Grey-beige/grey-beige	84		
	911 521 634 51	Seat side bolster cover	/R		
		Right seat			
		Leather/			
		Seat surface			
		Porsche lettering cloth			
		911 521 634 51 LR9	Black/black		
	911 521 634 51 LS1	Brown/brown	84		
	911 521 634 51 LS3	Blue/blue	84		
	911 521 634 51 LS4	Burgundy/burgundy	84		
	911 521 634 51 LS2	Grey-beige/grey-beige	84		

Model: 928 83

Model life 1983>>1986



Model: 928 83 Model life 1983>>1986

Pos	Part Number	Description	Remark	Qty	Model
1	928 521 001 86	Front seat Comfort seat without heating Leather	85- /L	1	
	928 521 001 86 KZ2	Black			
	928 521 001 86 KZ3	Blue			
	928 521 001 86 KZ5	Brown			
	928 521 001 86 LG7	Burgundy			
	928 521 001 86 QC2	Greyish green			
	928 521 001 86 LG6	Dark green			
	928 521 001 86 KZ6	Can-can-red			
	928 521 001 86 LG4	Pearl white			
	928 521 001 86 LG5	Champagne			
	928 521 001 86 PY9	Ocean blue			
	928 521 001 86 PZ1	Wild buffalo			
	928 521 001 86 KZ4	Grey-beige	86		
(1)	928 521 002 86	Comfort seat without heating Leather	/R	1	
	928 521 002 86 KZ2	Black			
	928 521 002 86 KZ3	Blue			
	928 521 002 86 KZ5	Brown			
	928 521 002 86 LG7	Burgundy			
	928 521 002 86 QC2	Greyish green			
	928 521 002 86 LG6	Dark green			
	928 521 002 86 KZ6	Can-can-red			
	928 521 002 86 LG4	Pearl white			
	928 521 002 86 LG5	Champagne			
	928 521 002 86 PY9	Ocean blue			
	928 521 002 86 PZ1	Wild buffalo			
	928 521 002 86 KZ4	Grey-beige	86		
(1)	928 521 001 89	Comfort seat with heating Leather	/L	1	
	928 521 001 89 KZ2	Black			
	928 521 001 89 KZ3	Blue			
	928 521 001 89 KZ5	Brown			
	928 521 001 89 LG7	Burgundy			
	928 521 001 89 QC2	Greyish green			
	928 521 001 89 LG6	Dark green			
	928 521 001 89 KZ6	Can-can-red			
	928 521 001 89 LG4	Pearl white			
	928 521 001 89 LG5	Champagne			
	928 521 001 89 PY9	Ocean blue			
	928 521 001 89 PZ1	Wild buffalo			
	928 521 001 89 KZ4	Grey-beige	86		
(1)	928 521 002 89	Comfort seat with heating Leather	/R	1	
	928 521 002 89 KZ2	Black			
	928 521 002 89 KZ3	Blue			
	928 521 002 89 KZ5	Brown			
	928 521 002 89 LG7	Burgundy			
	928 521 002 89 QC2	Greyish green			
	928 521 002 89 LG6	Dark green			
	928 521 002 89 KZ6	Can-can-red			
	928 521 002 89 LG4	Pearl white			
	928 521 002 89 LG5	Champagne			
	928 521 002 89 PY9	Ocean blue			
	928 521 002 89 PZ1	Wild buffalo			
	928 521 002 89 KZ4	Grey-beige	86		
1A	928 521 001 88	Comfort seat without heating	/L	1	

Model: 928 83 Model life 1983>>1986

Pos	Part Number	Description	Remark	Qty	Model
		Leather/ Centre part Pin stripe velour			
	928 521 001 88 LS5	Black/ Black-white			
	928 521 001 88 LS6	Brown/ Brown-beige			
	928 521 001 88 LS8	Blue/ Blue-white			
	928 521 001 88 LS9	Burgundy/ Burgundy-white			
	928 521 001 88 QA7	Greyish green/ Greyish green-white			
	928 521 001 88 LS7	Grey-beige/ Grey-beige-white	86		
(1A)	928 521 002 88	Comfort seat without heating Leather/ Centre part Pin stripe velour	/R	1	
	928 521 002 88 LS5	Black/ Black-white			
	928 521 002 88 LS6	Brown/ Brown-beige			
	928 521 002 88 LS8	Blue/ Blue-white			
	928 521 002 88 LS9	Burgundy/ Burgundy-white			
	928 521 002 88 QA7	Greyish green/ Greyish green-white			
	928 521 002 88 LS7	Grey-beige/ Grey-beige-white	86		
(1A)	928 521 001 90	Comfort seat with heating Leather/ Centre part Pin stripe velour	/L	1	
	928 521 001 90 LS5	Black/ Black-white			
	928 521 001 90 LS6	Brown/ Brown-beige			
	928 521 001 90 LS8	Blue/ Blue-white			
	928 521 001 90 LS9	Burgundy/ Burgundy-white			
	928 521 001 90 QA7	Greyish green/ Greyish green-white			
	928 521 001 90 LS7	Grey-beige/ Grey-beige-white	86		
(1A)	928 521 002 90	Comfort seat with heating Leather/ Centre part Pin stripe velour	/R	1	
	928 521 002 90 LS5	Black/ Black-white			
	928 521 002 90 LS6	Brown/ Brown-beige			
	928 521 002 90 LS8	Blue/ Blue-white			
	928 521 002 90 LS9	Burgundy/ Burgundy-white			
	928 521 002 90 QA7	Greyish green/ Greyish green-white			

Model: 928 83 Model life 1983>>1986

Pos	Part Number	Description	Remark	Qty	Model
		Greyish green-white			
	928 521 002 90 LS7	Grey-beige/ Grey-beige-white	86		
1A	928 521 001 88	Comfort seat without heating Leather/ Centre part Pin stripe flannel	/L	1	
	928 521 001 88 QB1	Black/anthracite			
	928 521 001 88 QB3	Brown/brown			
	928 521 001 88 QB5	Blue/blue			
	928 521 001 88 QB7	Burgundy/burgundy			
	928 521 001 88 QA8	Greyish green/grey-green			
(1A)	928 521 002 88	Comfort seat without heating Leather/ Centre part Pin stripe flannel	/R	1	
	928 521 002 88 QB1	Black/anthracite			
	928 521 002 88 QB3	Brown/brown			
	928 521 002 88 QB5	Blue/blue			
	928 521 002 88 QB7	Burgundy/burgundy			
	928 521 002 88 QA8	Greyish green/grey-green			
(1A)	928 521 001 90	Comfort seat with heating Leather/ Centre part Pin stripe flannel	/L	1	
	928 521 001 90 QB1	Black/anthracite			
	928 521 001 90 QB3	Brown/brown			
	928 521 001 90 QB5	Blue/blue			
	928 521 001 90 QB7	Burgundy/burgundy			
	928 521 001 90 QA8	Greyish green/grey-green			
(1A)	928 521 002 90	Comfort seat with heating Leather/ Centre part Pin stripe flannel	/R	1	
	928 521 002 90 QB1	Black/anthracite			
	928 521 002 90 QB3	Brown/brown			
	928 521 002 90 QB5	Blue/blue			
	928 521 002 90 QB7	Burgundy/burgundy			
	928 521 002 90 QA8	Greyish green/grey-green			
1A	928 521 001 88	Comfort seat without heating Leather/ Centre part Porsche lettering cloth	/L	1	
	928 521 001 88 QB2	Black/black			
	928 521 001 88 QB4	Brown/brown			
	928 521 001 88 QB6	Blue/blue			
	928 521 001 88 QB8	Burgundy/burgundy			
	928 521 001 88 QA9	Greyish green/grey-green			
	928 521 001 88 RU1	Grey-beige/grey-beige	86		
(1A)	928 521 002 88	Comfort seat without heating Leather/ Centre part Porsche lettering cloth	/R	1	
	928 521 002 88 QB2	Black/black			
	928 521 002 88 QB4	Brown/brown			
	928 521 002 88 QB6	Blue/blue			
	928 521 002 88 QB8	Burgundy/burgundy			

Model: 928 83 Model life 1983>>1986

Pos	Part Number	Description	Remark	Qty	Model	
(1A)	928 521 002 88 QA9	Greyish green/grey-green				
	928 521 002 88 RU1	Grey-beige/grey-beige	86			
	928 521 001 90	Comfort seat with heating Leather/ Centre part Porsche lettering cloth	/L	1		
	928 521 001 90 QB2	Black/black				
	928 521 001 90 QB4	Brown/brown				
	928 521 001 90 QB6	Blue/blue				
	928 521 001 90 QB8	Burgundy/burgundy				
	928 521 001 90 QA9	Greyish green/grey-green				
	928 521 001 90 RU1	Grey-beige/grey-beige	86			
(1A)	928 521 002 90	Comfort seat with heating Leather/ Centre part Porsche lettering cloth	/R	1		
	928 521 002 90 QB2	Black/black				
	928 521 002 90 QB4	Brown/brown				
	928 521 002 90 QB6	Blue/blue				
	928 521 002 90 QB8	Burgundy/burgundy				
	928 521 002 90 QA9	Greyish green/grey-green				
	928 521 002 90 RU1	Grey-beige/grey-beige	86			
	2	911 521 547 00	Screw M 10 X 20		8	
	3	928 521 717 02	Square rod for backrest adjustment		4	
4	928 521 716 02	Lock washer for backrest adjustment		4		
4	928 521 716 03	Lock washer for backrest adjustment		4		
5	900 249 004 02	Countersunk-head screw M 4 X 8 for backrest adjustment		4		
6	928 521 147 02	Cover	/L	2		
	928 521 147 02 01C	Black				
	928 521 147 02 4RB	Brown				
	928 521 147 02 5HJ	Blue				
	928 521 147 02 9MM	Burgundy				
	928 521 147 02 1DJ	Greyish green				
	928 521 147 02 3UC	Grey-beige	86			
	(6)	928 521 148 02	Cover	/R	2	
		928 521 148 02 01C	Black			
928 521 148 02 4RB		Brown				
928 521 148 02 5HJ		Blue				
928 521 148 02 9MM		Burgundy				
928 521 148 02 1DJ		Greyish green				
7	928 521 148 02 3UC	Grey-beige	86			
	900 025 044 07	Washer A 4,3		8		
8	900 143 113 07	Oval-head screw B 4,2 X 13	-85	8		
8	900 143 113 0G	Oval-head screw B 4,2 X 13		8		
(8)	N 013 962 3	Tapping screw B 3,9 X 16	86	8		
	928 521 760 02	Cover		2		
10	N 013 959 3	Oval-head sheetmetal screw B 3,5 X 16		4		
10	900 143 016 02	Oval-head sheetmetal screw B 3,5 X 16		4		
11	900 025 013 07	Washer		4		

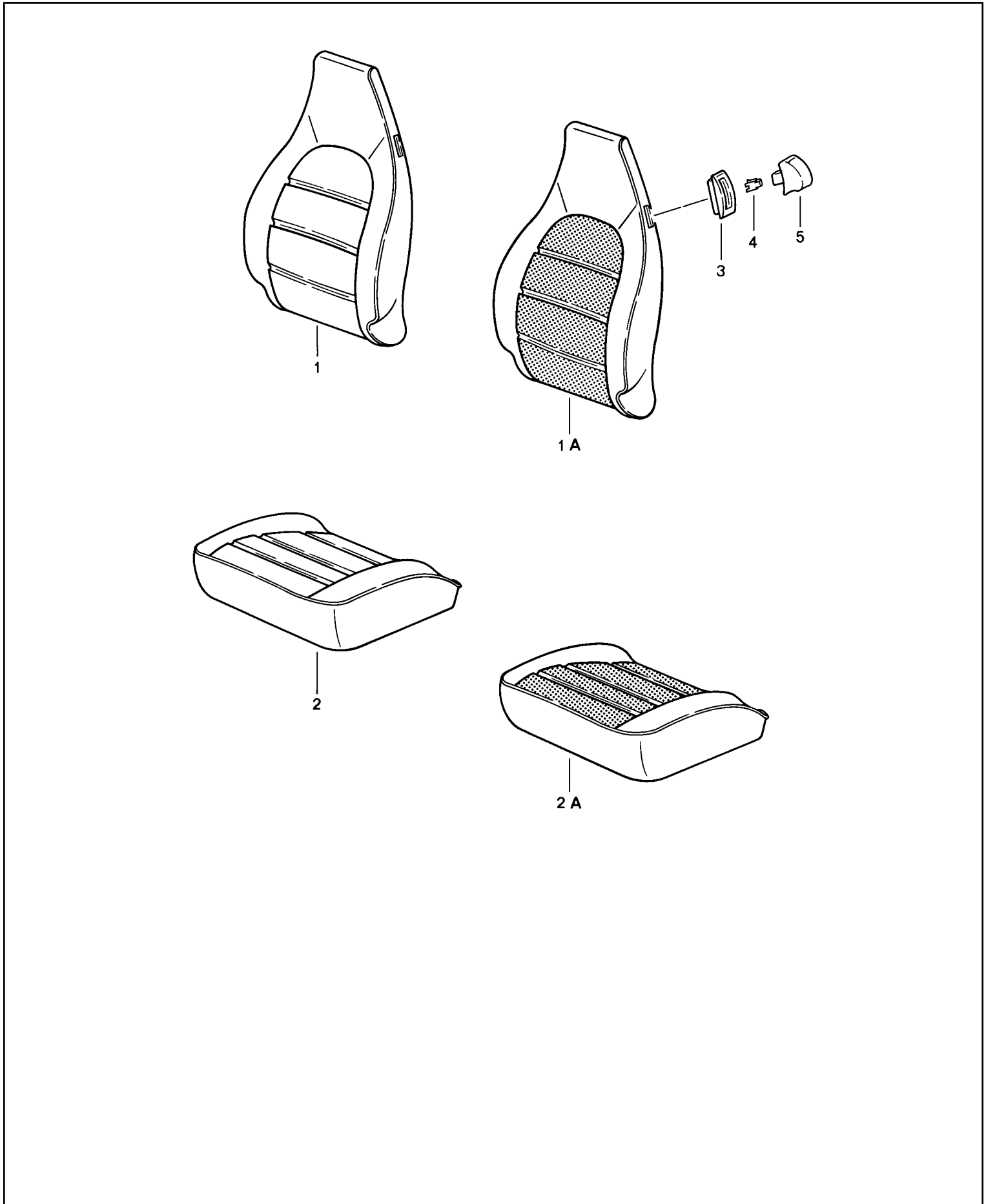
Model: 928 83

Model life 1983>>1986

Pos	Part Number	Description	Remark	Qty	Model
12	900 119 030 02	A 3,7 Pan-head screw M 8 X 20		12	
13	900 031 001 02	Washer 8,4		16	
13	900 031 105 01	Washer 8,4		16	
14	928 521 101 05	Threaded plate		4	
-	999 703 334 40	Stopper Seat rail support		2	

Model: 928 83

Model life 1983>>1986



Model: 928 83

Model life 1983>>1986

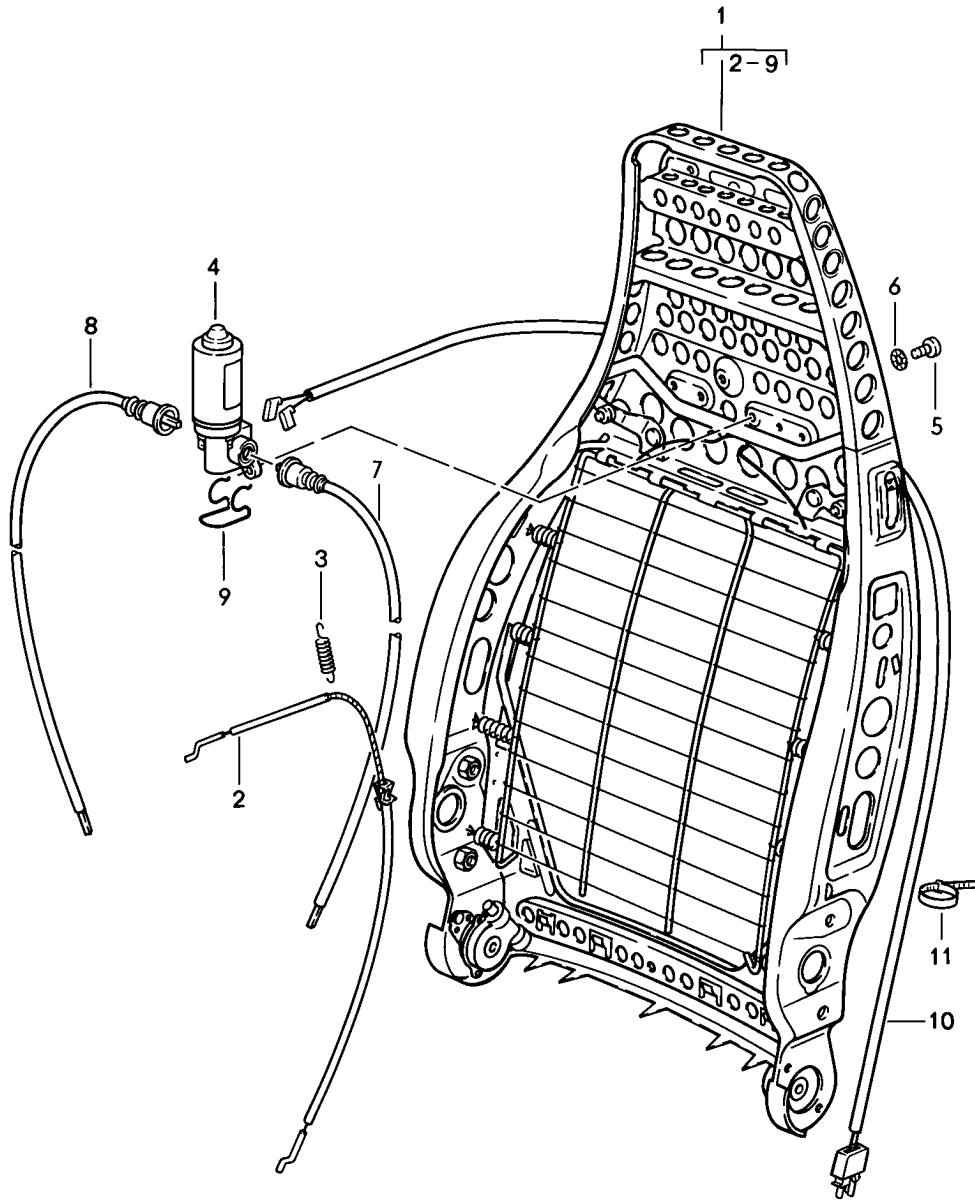
Pos	Part Number	Description	Remark	Qty	Model
1	928 521 071 87	Front seat Cover Heating element Backrest cover Leather	85-	2	
	928 521 071 87 KZ2	Black			
	928 521 071 87 KZ3	Blue			
	928 521 071 87 KZ5	Cadbury brown			
	928 521 071 87 LG7	Burgundy			
	928 521 071 87 QC2	Greyish green			
	928 521 071 87 LG6	Dark green			
	928 521 071 87 KZ6	Can-can-red			
	928 521 071 87 LG4	Pearl white			
	928 521 071 87 LG5	Champagne			
	928 521 071 87 PY9	Ocean blue			
	928 521 071 87 PZ1	Wild buffalo			
1A	928 521 071 87 KZ4	Grey-beige	86	2	
	928 521 071 89	Backrest cover Leather/ Centre part Pin stripe velour			
	928 521 071 89 LS5	Black/ Black-white			
	928 521 071 89 LS6	Brown/ Brown-beige			
	928 521 071 89 LS8	Blue/ Blue-white			
	928 521 071 89 LS9	Burgundy/ Burgundy-white			
	928 521 071 89 QA7	Greyish green/ Greyish green-white			
	928 521 071 89 LS7	Grey-beige/ Grey-beige-white	86	2	
1A	928 521 071 89	Backrest cover Leather/ Centre part Pin stripe flannel			
	928 521 071 89 QB1	Black/anthracite			
	928 521 071 89 QB3	Brown/brown			
	928 521 071 89 QB5	Blue/blue			
	928 521 071 89 QB7	Burgundy/burgundy			
	928 521 071 89 QA8	Greyish green/grey-green			
1A	928 521 071 89	Backrest cover Leather/ Centre part Porsche lettering cloth		2	
	928 521 071 89 QB2	Black/black			
	928 521 071 89 QB4	Brown/brown			
	928 521 071 89 QB6	Blue/blue			
	928 521 071 89 QB8	Burgundy/burgundy			
	928 521 071 89 QA9	Greyish green/grey-green			
	928 521 071 89 RU1	Grey-beige/grey-beige	86	2	
2	928 521 037 87	Cover for cushion Leather			
	928 521 037 87 KZ2	Black			
	928 521 037 87 KZ3	Blue			
	928 521 037 87 KZ5	Cadbury brown			
	928 521 037 87 LG7	Burgundy			
	928 521 037 87 QC2	Greyish green			
	928 521 037 87 LG6	Dark green			
	928 521 037 87 KZ6	Can-can-red			
	928 521 037 87 LG4	Pearl white			
	928 521 037 87 LG5	Champagne			

Model: 928 83 Model life 1983>>1986

Pos	Part Number	Description	Remark	Qty	Model				
2A	928 521 037 87 PY9	Ocean blue	86	2					
	928 521 037 87 PZ1	Wild buffalo							
	928 521 037 87 KZ4	Grey-beige							
	928 521 037 89	Cover for cushion Leather/ Centre part Pin stripe velour							
	928 521 037 89 LS5	Black/ Black-white							
	928 521 037 89 LS6	Brown/ Brown-beige							
	928 521 037 89 LS8	Blue/ Blue-white							
	928 521 037 89 LS9	Burgundy/ Burgundy-white							
	928 521 037 89 QA7	Greyish green/ Greyish green-white							
2A	928 521 037 89 LS7	Grey-beige/ Grey-beige-white	86	2					
	928 521 037 89	Cover for cushion Leather/ Centre part Pin stripe flannel							
	928 521 037 89 QB1	Black/anthracite							
	928 521 037 89 QB3	Brown/brown							
	928 521 037 89 QB5	Blue/blue							
	928 521 037 89 QB7	Burgundy/burgundy							
	928 521 037 89 QA8	Greyish green/grey-green							
	2A	928 521 037 89				Cover for cushion Leather/ Centre part Porsche lettering cloth	86	2	
		928 521 037 89 QB2				Black/black			
928 521 037 89 QB4		Brown/brown							
928 521 037 89 QB6		Blue/blue							
928 521 037 89 QB8		Burgundy/burgundy							
928 521 037 89 QA9		Greyish green/grey-green							
928 521 037 89 RU1		Grey-beige/grey-beige							
3		911 521 815 00	Rosette		4				
		911 521 815 00 01C	Satin black						
4	311 881 247	Clip		4					
5	911 521 817 00	Control button		4					
	911 521 817 00 01C	Satin black							
-	928 653 104 01	Heating element		2	M139/340				
-		Heating element		2	M139/340				
		Backrest							
-	928 653 102 01	Heating element		2	M139/340				
-		Heating element		2	M139/340				
		Seat cushion							

Model: 928 83

Model life 1983>>1986



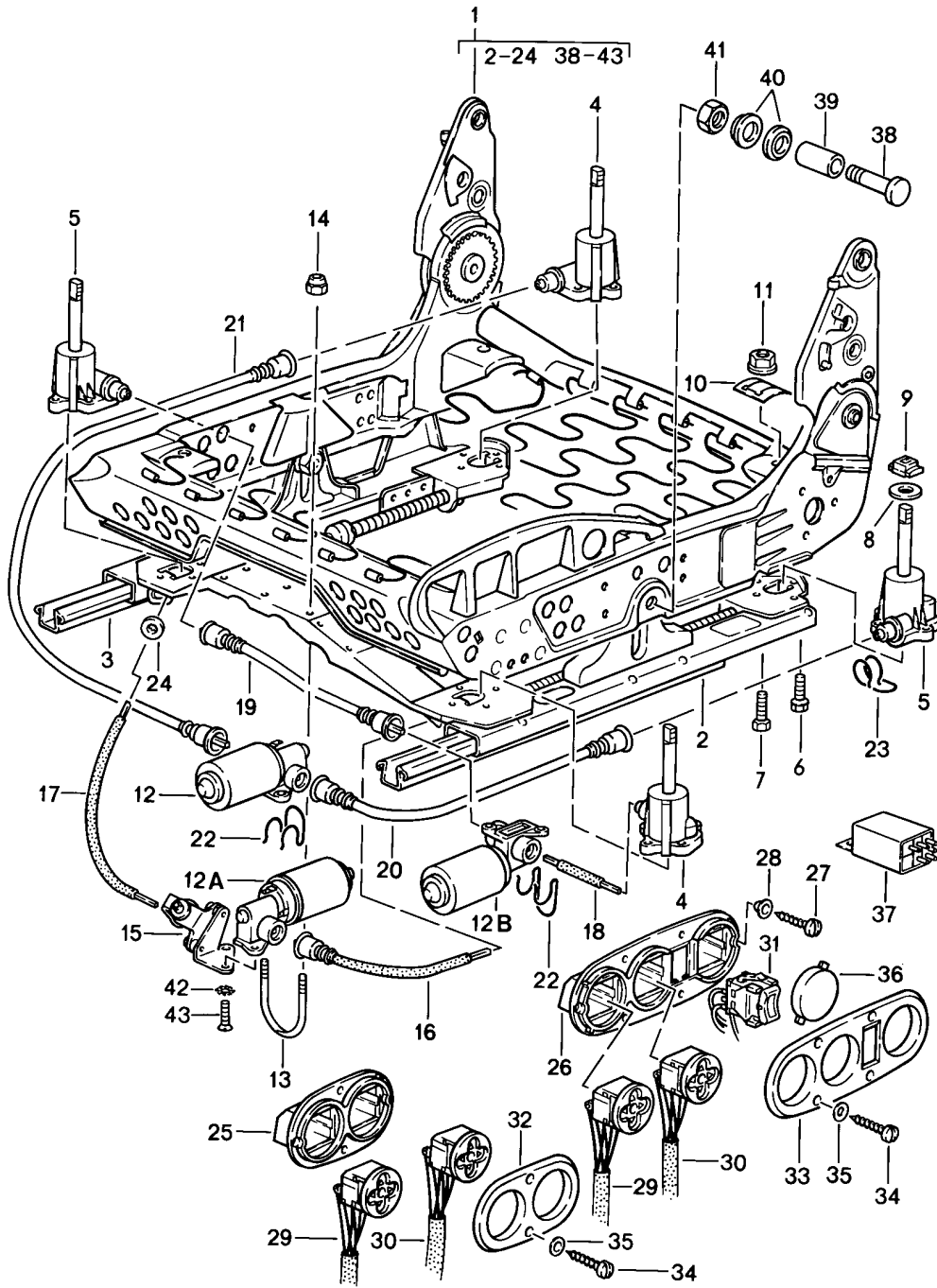
Model: 928 83

Model life 1983>>1986

Pos	Part Number	Description	Remark	Qty	Model
		Front seat	85-		
		Backrest frame			
		Single parts			
1	928 521 027 10	Backrest frame		2	
1		Backrest frame		2	
2	928 521 093 02	Bowden cable		4	
3	311 881 287 A	Tension spring		4	
		Actuating lever			
4	928 624 126 01	Geared motor		2	
		Backrest			
4		Geared motor		2	
		Backrest			
5	N 014 128 4	Oval-head screw		4	
		M 5 X 8			
6	N 012 130 2	Shake-proof washer		4	
		A 5,3			
7	928 521 617 02	Shaft	/L	2	
		Backrest			
8	928 521 618 02	Shaft	/R	2	
		Backrest			
9	928 521 675 02	Moulded spring		2	
10	928 612 343 00	Connecting line		2	
		Backrest			
11	N 020 904 4	Tie-wrap		10	
		6,5 X 120			

Model: 928 83

Model life 1983>>1986



Model: 928 83 Model life 1983>>1986

Pos	Part Number	Description	Remark	Qty	Model
		Front seat	85-		
		Seat frame			
		Single parts			
1	928 521 069 11	Seat frame	/L	1	
		F >>92GS8 62125			
1	993 521 069 03	Seat frame	/L	1	
(1)	928 521 069 13	Seat frame	/L	1	
		F 92GS8 62126>>			
(1)	993 521 069 03	Seat frame	/L	1	
(1)	928 521 070 11	Seat frame	/R	1	
		F >>92GS8 62125			
(1)	993 521 070 03	Seat frame	/R	1	
(1)	928 521 070 13	Seat frame	/R	1	
		F 92GS8 62126>>			
(1)	993 521 070 03	Seat frame	/R	1	
2	928 521 489 08	Seat rail	/L	1	
		Left seat			
		Outer			
		F >>92GS8 62125			
(2)		Seat rail	/L	1	
		Left seat			
		Outer			
		F 92GS8 62126>>			
(2)	928 521 490 08	Seat rail	/R	1	
		Right seat			
		Outer			
		F >>92GS8 62125			
(2)		Seat rail	/R	1	
		Right seat			
		Outer			
		F 92GS8 62126>>			
(3)	928 521 491 11	Seat rail	/R	1	
		Right seat			
		Inner			
		F >>92GS8 62125			
(3)		Seat rail	/R	1	
		Right seat			
		Inner			
		F 92GS8 62126>>			
3	928 521 492 11	Seat rail	/L	1	
		Left seat			
		Inner			
		F >>92GS8 62125			
(3)		Seat rail	/L	1	
		Left seat			
		Inner			
		F 92GS8 62126>>			
4	928 521 721 03	Lifting gear	/L /V	2	
		Left front, right rear	/R /H		
4		Lifting gear	/L /V	2	
		Left front, right rear	/R /H		
5	928 521 722 03	Lifting gear	/R /V	2	
		Right front, left rear	/L /H		
5		Lifting gear	/R /V	2	
		Right front, left rear	/L /H		
6	999 217 033 01	Locking screw		20	
		M 6 X 16			
7	900 186 032 02	Pan-head screw		8	
		M 6 X 16			
8	999 025 129 40	Washer		8	
		10,2 X 30 X 1,5			
9	928 521 727 02	Slide		8	
10	928 521 723 02	Guide spring		8	

Model: 928 83 Model life 1983>>1986

Pos	Part Number	Description	Remark	Qty	Model
11	928 521 730 02	Nut		8	
12	928 624 126 01	Geared motor		2	
12		Rear vertical adjustment Geared motor		2	
12A		Rear vertical adjustment Geared motor		2	
12A		Front vertical adjustment Geared motor		2	
12B		Front vertical adjustment Geared motor		2	
12B		Front vertical adjustment Geared motor		2	
13	999 222 001 02	Stirrup bolt M 4		6	
14	900 910 006 02	Lock nut M 4		12	
14	900 084 020 01	Lock nut M 4		4	
15	928 521 145 02	Transmission Emergency operation		2	
16	928 521 251 02	Shaft	/L	2	
17	928 521 252 03	Shaft	/R	2	
18	928 521 671 03	Shaft	/L	2	
18		Front vertical adjustment Shaft	/L	2	
19	928 521 672 02	Pliable shaft	/R	2	
20	928 521 673 05	Flexible shaft	/L	2	
20		Rear vertical adjustment Flexible shaft	/L	2	
21	928 521 674 02	Rear vertical adjustment Pliable shaft	/R	2	
22	928 521 675 02	Moulded spring		6	
23	928 521 699 00	Moulded spring		6	
24	999 591 730 00	Lock washer 10,0		6	
25	928 521 559 04	Switch insert		2	
26	928 521 559 02	Switch insert	/L	1	M139
(26)	928 521 560 02	Switch insert	/R	1	M340
27	N 013 988 1	Counters. head tapp. screw B 3,5 X 16		2	
28	999 591 849 07	Washer B 3,5		2	
29	928 613 182 00	Switch for longitudinal adjustment Front vertical adjustment		2	
30	928 613 183 00	Switch for backrest adjustment Rear vertical adjustment		2	
31	928 613 187 01	Switch Seat heater	/L	1	M139
(31)	928 613 188 01	Switch Seat heater	/R	1	M340
32	928 521 561 04	Trim for switch		2	
33	928 521 561 04 01C	Satin black		2	
33	928 521 561 03	Trim for switch		2	M139/340
34	928 521 561 03 01C	Satin black		2	
34	N 013 959 3	Oval-head sheetmetal screw B 3,5 X 16		4	
34	900 143 016 02	Oval-head sheetmetal screw		4	

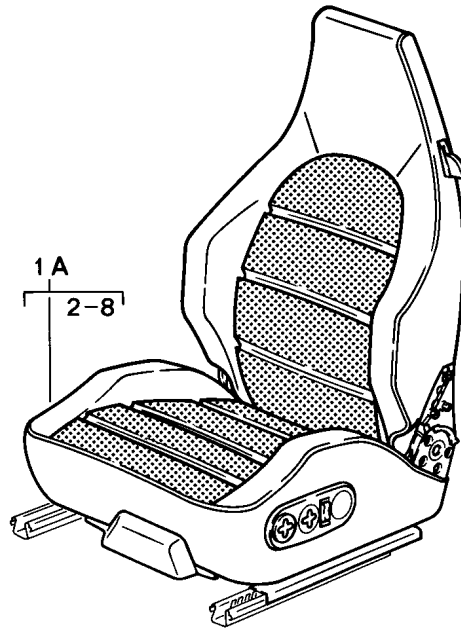
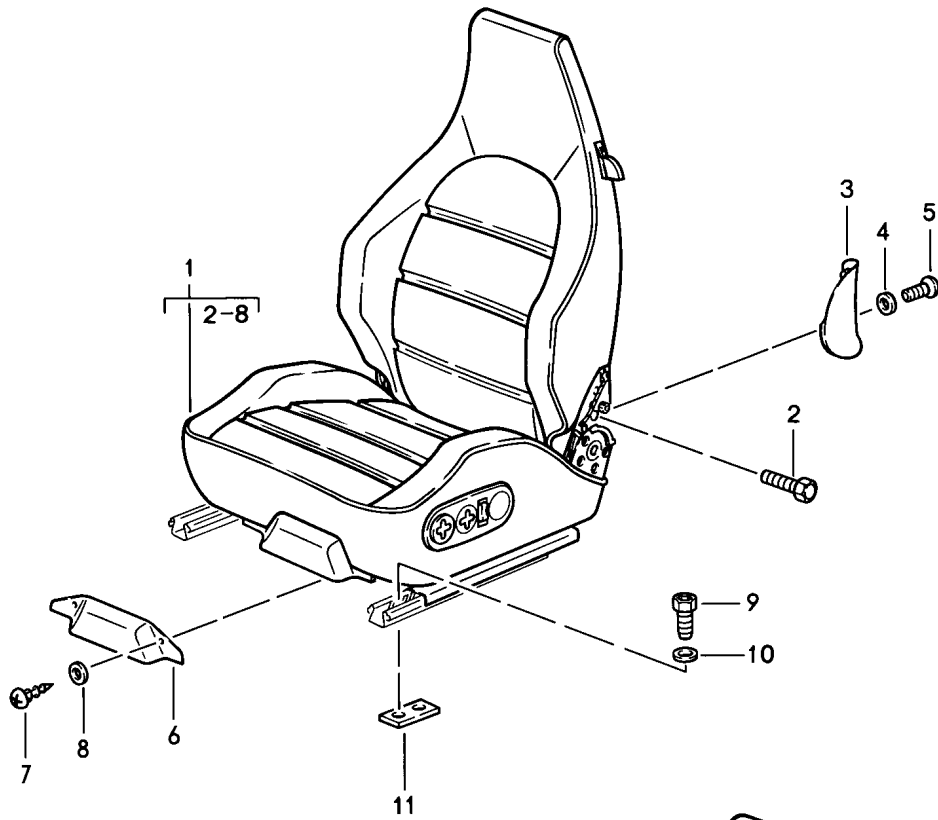
Model: 928 83

Model life 1983>>1986

Pos	Part Number	Description	Remark	Qty	Model
35	900 025 013 07	B 3,5 X 16 Washer		4	
36	928 613 425 00	A 3,7 Cover		X	M139/340
37	928 618 521 00	Relay Seat heater		2	M139/340
38	928 521 681 02	Bolt		4	
39	928 521 685 02	Bush		4	
40	928 521 683 02	Washer		8	
41	900 034 003 02	Hexagon nut M 10		4	
42	N 012 130 2	Shake-proof washer A 5,3		4	
43	N 014 128 4	Oval-head screw M 5 X 8		4	

Model: 928 83

Model life 1983>>1986



Model: 928 83 Model life 1983>>1986

Pos	Part Number	Description	Remark	Qty	Model
1	928 521 005 52	Sports seat Electrically adjustable Sports seat without heating Leather	85- /L	1	
	928 521 005 52 KZ2	Black			
	928 521 005 52 KZ3	Blue			
	928 521 005 52 KZ5	Brown			
	928 521 005 52 LG7	Burgundy			
	928 521 005 52 QC2	Greyish green			
	928 521 005 52 LG6	Dark green			
	928 521 005 52 KZ6	Can-can-red			
	928 521 005 52 LG4	Pearl white			
	928 521 005 52 LG5	Champagne			
	928 521 005 52 PY9	Ocean blue			
	928 521 005 52 PZ1	Wild buffalo			
(1)	928 521 005 52 KZ4	Grey-beige	86		
(1)	928 521 006 52	Sports seat without heating Leather	/R	1	
	928 521 006 52 KZ2	Black			
	928 521 006 52 KZ3	Blue			
	928 521 006 52 KZ5	Brown			
	928 521 006 52 LG7	Burgundy			
	928 521 006 52 QC2	Greyish green			
	928 521 006 52 LG6	Dark green			
	928 521 006 52 KZ6	Can-can-red			
	928 521 006 52 LG4	Pearl white			
	928 521 006 52 LG5	Champagne			
	928 521 006 52 PY9	Ocean blue			
	928 521 006 52 PZ1	Wild buffalo			
	928 521 006 52 KZ4	Grey-beige	86		
(1)	928 521 005 55	Sports seat with heating Leather	/L	1	
	928 521 005 55 KZ2	Black			
	928 521 005 55 KZ3	Blue			
	928 521 005 55 KZ5	Brown			
	928 521 005 55 LG7	Burgundy			
	928 521 005 55 QC2	Greyish green			
	928 521 005 55 LG6	Dark green			
	928 521 005 55 KZ6	Can-can-red			
	928 521 005 55 LG4	Pearl white			
	928 521 005 55 LG5	Champagne			
	928 521 005 55 PY9	Ocean blue			
	928 521 005 55 PZ1	Wild buffalo			
	928 521 005 55 KZ4	Grey-beige	86		
(1)	928 521 006 55	Sports seat with heating Leather	/R	1	
	928 521 006 55 KZ2	Black			
	928 521 006 55 KZ3	Blue			
	928 521 006 55 KZ5	Brown			
	928 521 006 55 LG7	Burgundy			
	928 521 006 55 QC2	Greyish green			
	928 521 006 55 LG6	Dark green			
	928 521 006 55 KZ6	Can-can-red			
	928 521 006 55 LG4	Pearl white			
	928 521 006 55 LG5	Champagne			
	928 521 006 55 PY9	Ocean blue			
	928 521 006 55 PZ1	Wild buffalo			
	928 521 006 55 KZ4	Grey-beige	86		
1A	928 521 005 54	Sports seat	/L	1	

Model: 928 83 Model life 1983>>1986

Pos	Part Number	Description	Remark	Qty	Model
		without heating Leather/ Centre part Pin stripe velour			
	928 521 005 54 LS5	Black/ Black-white			
	928 521 005 54 LS6	Brown/ Brown-beige			
	928 521 005 54 LS8	Blue/ Blue-white			
	928 521 005 54 LS9	Burgundy/ Burgundy-white			
	928 521 005 54 QA7	Greyish green/ Greyish green-white			
	928 521 005 54 LS7	Grey-beige/ Grey-beige-white	86		
(1A)	928 521 006 54	Sports seat without heating Leather/ Centre part Pin stripe velour	/R	1	
	928 521 006 54 LS5	Black/ Black-white			
	928 521 006 54 LS6	Brown/ Brown-beige			
	928 521 006 54 LS8	Blue/ Blue-white			
	928 521 006 54 LS9	Burgundy/ Burgundy-white			
	928 521 006 54 QA7	Greyish green/ Greyish green-white			
	928 521 006 54 LS7	Grey-beige/ Grey-beige-white	86		
(1A)	928 521 005 56	Sports seat with heating Leather/ Centre part Pin stripe velour	/L	1	
	928 521 005 56 LS5	Black/ Black-white			
	928 521 005 56 LS6	Brown/ Brown-beige			
	928 521 005 56 LS8	Blue/ Blue-white			
	928 521 005 56 LS9	Burgundy/ Burgundy-white			
	928 521 005 56 QA7	Greyish green/ Greyish green-white			
	928 521 005 56 LS7	Grey-beige/ Grey-beige-white	86		
(1A)	928 521 006 56	Sports seat with heating Leather/ Centre part Pin stripe velour	/R	1	
	928 521 006 56 LS5	Black/ Black-white			
	928 521 006 56 LS6	Brown/ Brown-beige			
	928 521 006 56 LS8	Blue/ Blue-white			
	928 521 006 56 LS9	Burgundy/ Burgundy-white			

Model: 928 83

Model life 1983>>1986

Pos	Part Number	Description	Remark	Qty	Model
	928 521 006 56 QA7	Greyish green/ Greyish green-white			
	928 521 006 56 LS7	Grey-beige/ Grey-beige-white	86		
1A	928 521 005 54	Sports seat without heating Leather/ Centre part Pin stripe flannel	/L	1	
	928 521 005 54 QB1	Black/anthracite			
	928 521 005 54 QB3	Brown/brown			
	928 521 005 54 QB5	Blue/blue			
	928 521 005 54 QB7	Burgundy/burgundy			
	928 521 005 54 QA8	Greyish green/grey-green			
(1A)	928 521 006 54	Sports seat without heating Leather/ Centre part Pin stripe flannel	/R	1	
	928 521 006 54 QB1	Black/anthracite			
	928 521 006 54 QB3	Brown/brown			
	928 521 006 54 QB5	Blue/blue			
	928 521 006 54 QB7	Burgundy/burgundy			
	928 521 006 54 QA8	Greyish green/grey-green			
(1A)	928 521 005 56	Sports seat with heating Leather/ Centre part Pin stripe flannel	/L	1	
	928 521 005 56 QB1	Black/anthracite			
	928 521 005 56 QB3	Brown/brown			
	928 521 005 56 QB5	Blue/blue			
	928 521 005 56 QB7	Burgundy/burgundy			
	928 521 005 56 QA8	Greyish green/grey-green			
(1A)	928 521 006 56	Sports seat with heating Leather/ Centre part Pin stripe flannel	/R	1	
	928 521 006 56 QB1	Black/anthracite			
	928 521 006 56 QB3	Brown/brown			
	928 521 006 56 QB5	Blue/blue			
	928 521 006 56 QB7	Burgundy/burgundy			
	928 521 006 56 QA8	Greyish green/grey-green			
1A	928 521 005 54	Sports seat without heating Leather/ Centre part Porsche lettering cloth	/L	1	
	928 521 005 54 QB2	Black/black			
	928 521 005 54 QB4	Brown/brown			
	928 521 005 54 QB6	Blue/blue			
	928 521 005 54 QB8	Burgundy/burgundy			
	928 521 005 54 QA9	Greyish green/grey-green			
	928 521 005 54 RU1	Grey-beige/grey-beige	86		
(1A)	928 521 006 54	Sports seat without heating Leather/ Centre part Porsche lettering cloth	/R	1	
	928 521 006 54 QB2	Black/black			
	928 521 006 54 QB4	Brown/brown			
	928 521 006 54 QB6	Blue/blue			

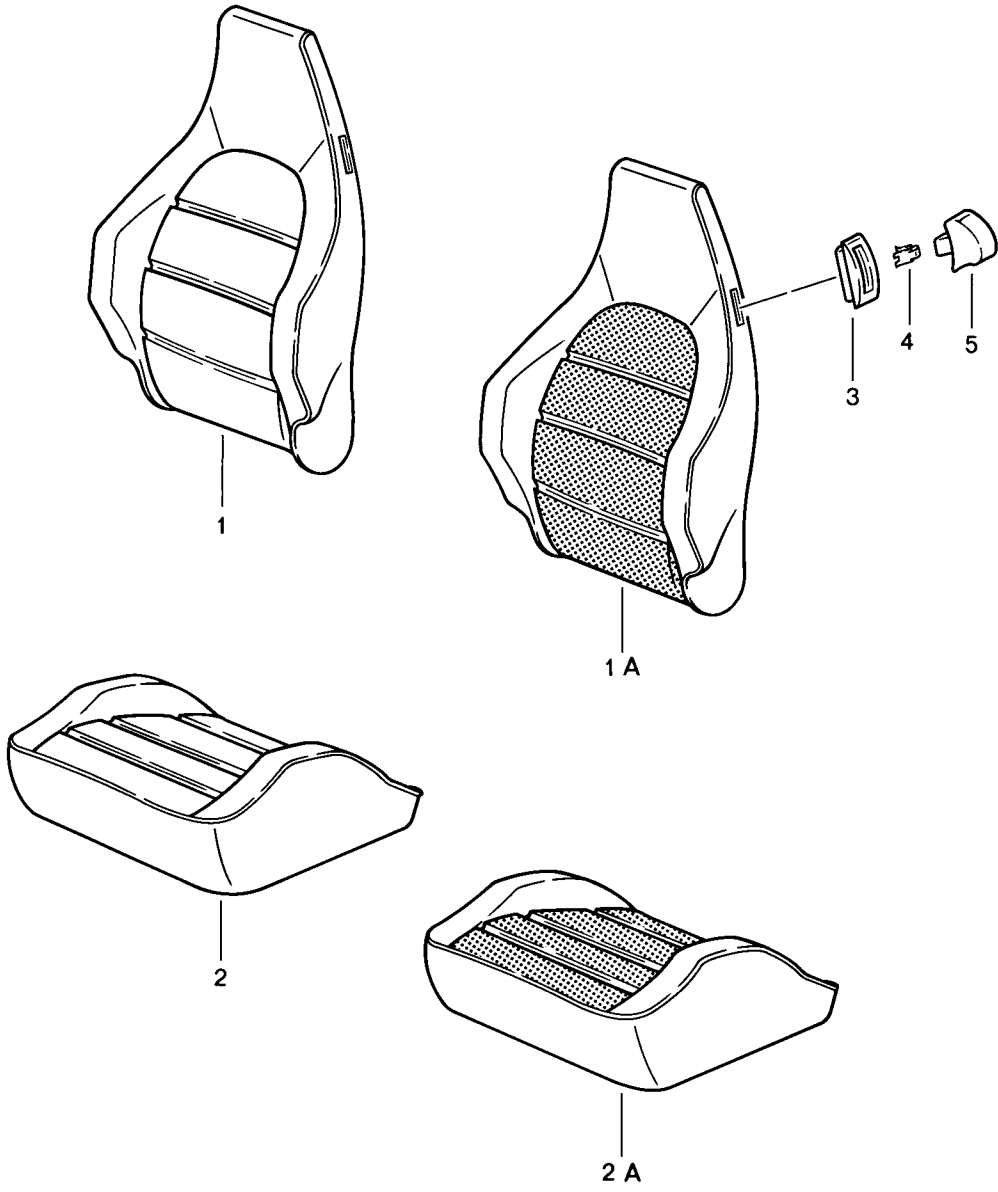
Model: 928 83

Model life 1983>>1986

Pos	Part Number	Description	Remark	Qty	Model
(1A)	928 521 006 54 QB8	Burgundy/burgundy			
	928 521 006 54 QA9	Greyish green/grey-green			
	928 521 006 54 RU1	Grey-beige/grey-beige	86		
	928 521 005 56	Sports seat with heating Leather/ Centre part Porsche lettering cloth	/L	1	
	928 521 005 56 QB2	Black/black			
	928 521 005 56 QB4	Brown/brown			
	928 521 005 56 QB6	Blue/blue			
	928 521 005 56 QB8	Burgundy/burgundy			
	928 521 005 56 QA9	Greyish green/grey-green			
(1A)	928 521 005 56 RU1	Grey-beige/grey-beige	86		
	928 521 006 56	Sports seat with heating Leather/ Centre part Porsche lettering cloth	/R	1	
	928 521 006 56 QB2	Black/black			
	928 521 006 56 QB4	Brown/brown			
	928 521 006 56 QB6	Blue/blue			
	928 521 006 56 QB8	Burgundy/burgundy			
	928 521 006 56 QA9	Greyish green/grey-green			
	928 521 006 56 RU1	Grey-beige/grey-beige	86		
	2	911 521 547 00	Screw M 10 X 20		4
3	928 521 147 02	Cover	/L	1	
	928 521 147 02 01C	Black			
	928 521 147 02 4RB	Brown			
	928 521 147 02 5HJ	Blue			
	928 521 147 02 9MM	Burgundy			
	928 521 147 02 1DJ	Greyish green			
(3)	928 521 147 02 3UC	Grey-beige	86		
	928 521 148 02	Cover	/R	1	
	928 521 148 02 01C	Black			
	928 521 148 02 4RB	Brown			
	928 521 148 02 5HJ	Blue			
	928 521 148 02 9MM	Burgundy			
4	928 521 148 02 1DJ	Greyish green			
	928 521 148 02 3UC	Grey-beige	86		
	900 025 044 07	Washer A 4,3		4	
5	900 143 113 07	Oval-head screw B 4,2 X 13	-85	4	
	900 143 113 0G	Oval-head screw B 4,2 X 13		4	
(5)	N 013 962 3	Tapping screw B 3,9 X 16	86	8	
6	928 521 760 03	Cover		1	
7	N 013 959 3	Oval-head sheetmetal screw B 3,5 X 16		2	
	900 143 016 02	Oval-head sheetmetal screw B 3,5 X 16		2	
8	900 025 013 07	Washer A 3,7		2	
	900 119 030 02	Pan-head screw M 8 X 20		6	
10	900 031 001 02	Washer 8,4		8	
10	900 031 105 01	Washer 8,4		8	
11	928 521 101 05	Threaded plate		2	

Model: 928 83

Model life 1983>>1986



Model: 928 83 Model life 1983>>1986

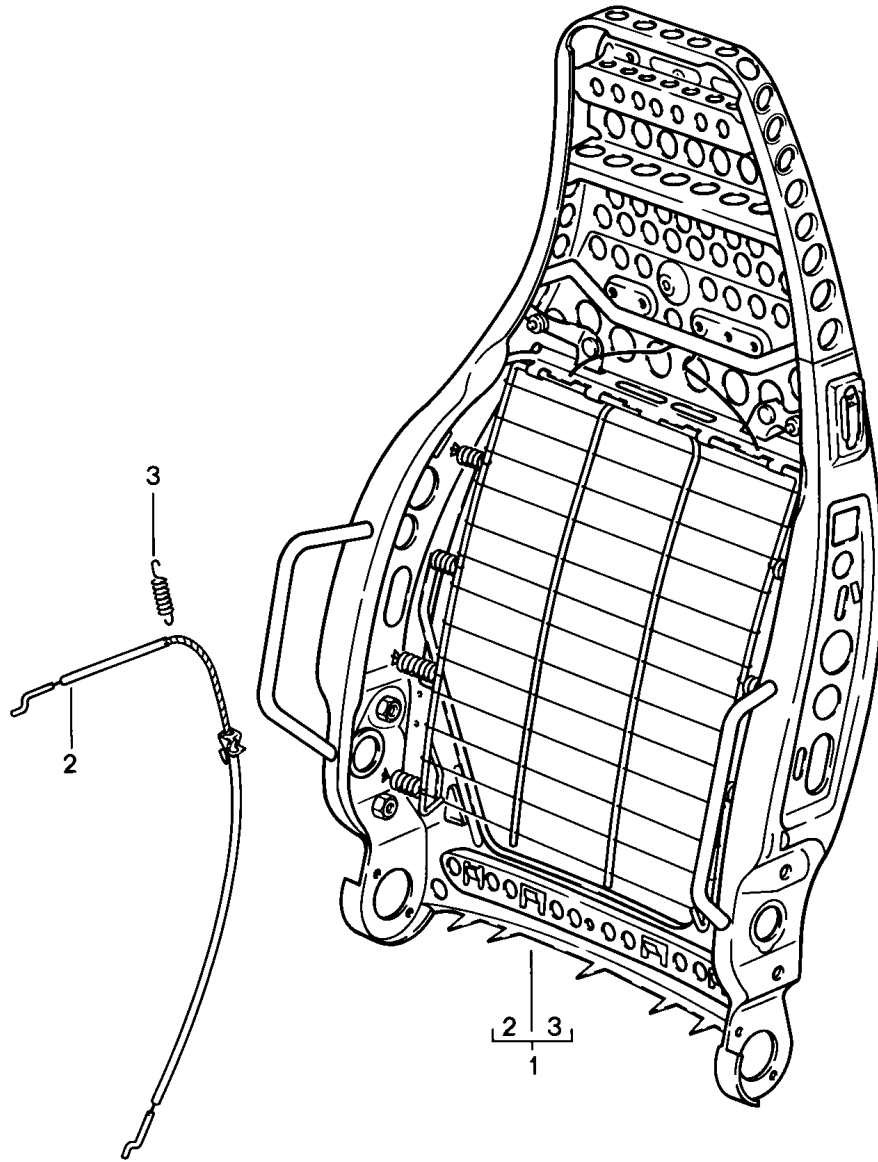
Pos	Part Number	Description	Remark	Qty	Model
1	944 521 071 67	Sports seat Electrically adjustable Cover Heating element Backrest cover Leather	85-	2	
	944 521 071 67 KZ2	Black			
	944 521 071 67 KZ3	Blue			
	944 521 071 67 KZ5	Cadbury brown			
	944 521 071 67 LG7	Burgundy			
	944 521 071 67 QC2	Greyish green			
	944 521 071 67 LG6	Dark green			
	944 521 071 67 KZ6	Can-can-red			
	944 521 071 67 LG4	Pearl white			
	944 521 071 67 LG5	Champagne			
	944 521 071 67 PY9	Ocean blue			
	944 521 071 67 PZ1	Wild buffalo			
1A	944 521 071 67 KZ4	Grey-beige	86	2	
	944 521 071 69	Backrest cover Leather/ Centre part Pin stripe velour			
	944 521 071 69 LS5	Black/ Black-white			
	944 521 071 69 LS6	Brown/ Brown-beige			
	944 521 071 69 LS8	Blue/ Blue-white			
	944 521 071 69 LS9	Burgundy/ Burgundy-white			
	944 521 071 69 QA7	Greyish green/ Greyish green-white			
	944 521 071 69 LS7	Grey-beige/ Grey-beige-white	86	2	
1A	944 521 071 69	Backrest cover Leather/ Centre part Pin stripe flannel			
	944 521 071 69 QB1	Black/anthracite			
	944 521 071 69 QB3	Brown/brown			
	944 521 071 69 QB5	Blue/blue			
	944 521 071 69 QB7	Burgundy/burgundy			
	944 521 071 69 QA8	Greyish green/grey-green			
1A	944 521 071 69	Backrest cover Leather/ Centre part Porsche lettering cloth		2	
	944 521 071 69 QB2	Black/black			
	944 521 071 69 QB4	Brown/brown			
	944 521 071 69 QB6	Blue/blue			
	944 521 071 69 QB8	Burgundy/burgundy			
	944 521 071 69 QA9	Greyish green/grey-green			
	944 521 071 69 RU1	Grey-beige/grey-beige	86	2	
2	944 521 037 67	Cover for cushion Leather			
	944 521 037 67 KZ2	Black			
	944 521 037 67 KZ3	Blue			
	944 521 037 67 KZ5	Cadbury brown			
	944 521 037 67 LG7	Burgundy			
	944 521 037 67 QC2	Greyish green			
	944 521 037 67 LG6	Dark green			
	944 521 037 67 KZ6	Can-can-red			
	944 521 037 67 LG4	Pearl white			

Model: 928 83 Model life 1983>>1986

Pos	Part Number	Description	Remark	Qty	Model
	944 521 037 67 LG5	Champagne			
	944 521 037 67 PY9	Ocean blue			
	944 521 037 67 PZ1	Wild buffalo			
	944 521 037 67 KZ4	Grey-beige	86		
2A	944 521 037 69	Cover for cushion Leather/ Centre part Pin stripe velour		2	
	944 521 037 69 LS5	Black/ Black-white			
	944 521 037 69 LS6	Brown/ Brown-beige			
	944 521 037 69 LS8	Blue/ Blue-white			
	944 521 037 69 LS9	Burgundy/ Burgundy-white			
	944 521 037 69 QA7	Greyish green/ Greyish green-white			
	944 521 037 69 LS7	Grey-beige/ Grey-beige-white	86		
2A	944 521 037 69	Cover for cushion Leather/ Centre part Pin stripe flannel		2	
	944 521 037 69 QB1	Black/anthracite			
	944 521 037 69 QB3	Brown/brown			
	944 521 037 69 QB5	Blue/blue			
	944 521 037 69 QB7	Burgundy/burgundy			
	944 521 037 69 QA8	Greyish green/grey-green			
2A	944 521 037 69	Cover for cushion Leather/ Centre part Porsche lettering cloth		2	
	944 521 037 69 QB2	Black/black			
	944 521 037 69 QB4	Brown/brown			
	944 521 037 69 QB6	Blue/blue			
	944 521 037 69 QB8	Burgundy/burgundy			
	944 521 037 69 QA9	Greyish green/grey-green			
	944 521 037 69 RU1	Grey-beige/grey-beige	86		
3	911 521 815 00	Rosette		4	
	911 521 815 00 01C	Satin black			
4	311 881 247	Clip		4	
5	911 521 817 00	Control button		4	
	911 521 817 00 01C	Satin black			
-	928 653 104 01	Heating element Backrest		2	M139/340
-		Heating element Backrest		2	M139/340
-	928 653 102 01	Heating element Seat cushion		2	M139/340
-		Heating element Seat cushion		2	M139/340

Model: 928 83

Model life 1983>>1986



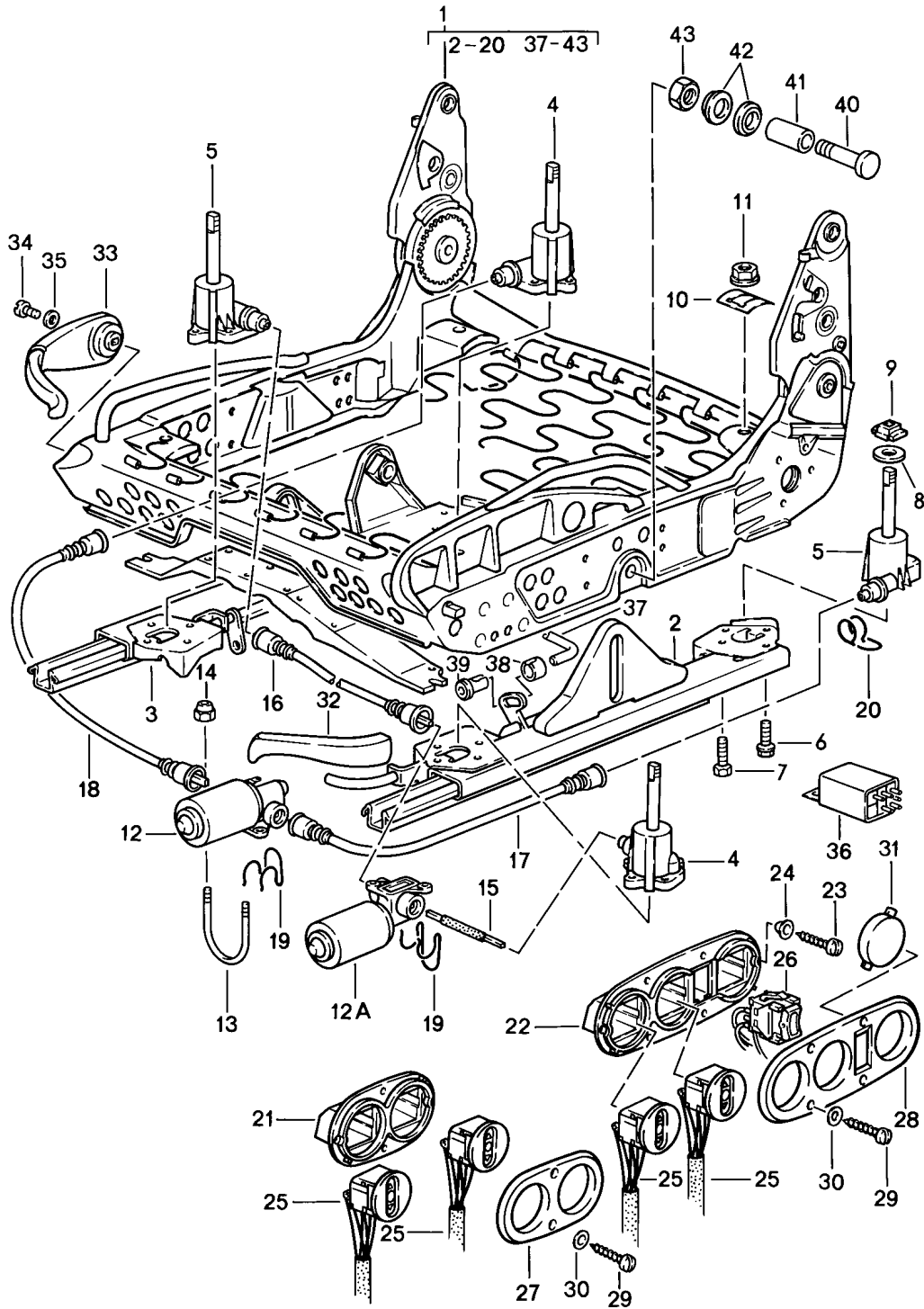
Model: 928 83

Model life 1983>>1986

Pos	Part Number	Description	Remark	Qty	Model
		Sports seat Electrically adjustable Backrest frame Single parts	85-		
1	944 521 027 01	Backrest frame		1	
1		Backrest frame		1	
2	928 521 093 02	Bowden cable		2	
3	311 881 287 A	Tension spring Actuating lever		2	

Model: 928 83

Model life 1983>>1986



Model: 928 83 Model life 1983>>1986

Pos	Part Number	Description	Remark	Qty	Model
		Sports seat Electrically adjustable Seat frame Single parts	85-		
1	944 521 069 00	Seat frame	/L	1	
1	993 521 069 02	Seat frame	/L	1	
(1)	944 521 070 00	Seat frame	/R	1	
(1)	993 521 070 02	Seat frame	/R	1	
2	928 521 489 11	Seat rail Left seat Outer		1	
2		Seat rail Left seat Outer		1	
(2)	928 521 490 11	Seat rail Right seat Outer		1	
(2)		Seat rail Right seat Outer		1	
(3)	928 521 491 04	Seat rail Right seat Inner		1	
(3)	964 521 491 00	Seat rail Right seat Inner		1	
3	928 521 492 04	Seat rail Left seat Inner		1	
3	964 521 492 00	Seat rail Left seat Inner		1	
4	928 521 721 03	Lifting gear Left front, right rear		2	
4		Lifting gear Left front, right rear		2	
5	928 521 722 03	Lifting gear Right front, left rear		2	
5		Lifting gear Right front, left rear		2	
6	999 217 033 01	Locking screw M 6 X 16		20	
7	900 186 032 02	Pan-head screw M 6 X 12		8	
8	999 025 129 40	Washer 10,2 X 30 X 1,5		8	
9	928 521 727 02	Slide		8	
10	928 521 723 02	Guide spring		8	
11	928 521 730 02	Nut		8	
12	928 624 126 01	Geared motor Rear vertical adjustment		2	
12A		Geared motor Front vertical adjustment		2	
12		Geared motor Height adjustment Front and rear		4	
13	999 222 001 02	Stirrup bolt M 4		4	
14	900 910 006 02	Lock nut M 4		8	
14	900 084 020 01	Lock nut M 4		4	
15	928 521 671 03	Shaft	/L	2	

Model: 928 83 Model life 1983>>1986

Pos	Part Number	Description	Remark	Qty	Model
15		Front vertical adjustment Shaft	/L	2	
16	928 521 672 02	Front vertical adjustment Pliable shaft	/R	2	
17	928 521 673 05	Front vertical adjustment Flexible shaft	/L	2	
17		Rear vertical adjustment Flexible shaft	/L	2	
18	928 521 674 02	Rear vertical adjustment Pliable shaft	/R	2	
19	928 521 675 02	Rear vertical adjustment Moulded spring		4	
20	928 521 699 00	Moulded spring		6	
21	928 521 559 04	Switch insert		2	
22	928 521 559 02	Switch insert	/L	1	M139
(22)	928 521 560 02	Switch insert	/R	1	M340
23	N 013 988 1	Counters. head tapp. screw B 3,5 X 16		4	
24	999 591 849 07	Washer		4	
25	928 613 181 00	Switch		4	
26	928 613 187 01	Front and rear Switch	/L	1	M139
(26)	928 613 188 01	Switch	/R	1	M340
27	928 521 561 04	Seat heater Trim for switch		2	
28	928 521 561 04 01C	Satin black		2	M139/340
28	928 521 561 03	Trim for switch		2	
29	928 521 561 03 01C	Satin black		2	
29	N 013 959 3	Oval-head sheetmetal screw B 3,5 X 16		X	
29	900 143 016 02	Oval-head sheetmetal screw B 3,5 X 16		X	
30	900 025 013 07	Washer A 3,7		X	
31	928 613 425 00	Cover		X	M139/340
32	928 521 563 03	Handle		1	M383
(32)	928 521 564 03	Handle		1	M387
32	911 521 533 01	Handle for longitudinal adjustment		2	
33	911 521 533 01 01C	Satin black		2	
33	928 521 073 04	Lever		2	
33	964 521 073 00	Lever for backrest adjustment		2	
33	964 521 073 00 01C	Satin black		2	
33	964 521 073 01	Lever for backrest adjustment		2	
34	964 521 073 01 01C	Black		2	
34	900 119 011 07	Pan-head screw M 5 X 10		2	
35	900 031 006 07	Washer 5,3 X 9,5 X 1		2	
36	928 618 521 00	Relay		2	M139/340
37	928 521 525 03	Seat heater Connecting rod		2	
38	N 902 514 01	for longitudinal adjustment Clamping sleeve		4	
39	N 902 515 01	4 for longitudinal adjustment Guide bush		4	
40	928 521 681 02	4 X 6,8 X 14,5 Bolt		4	
41	928 521 685 02	for longitudinal adjustment Bush		4	

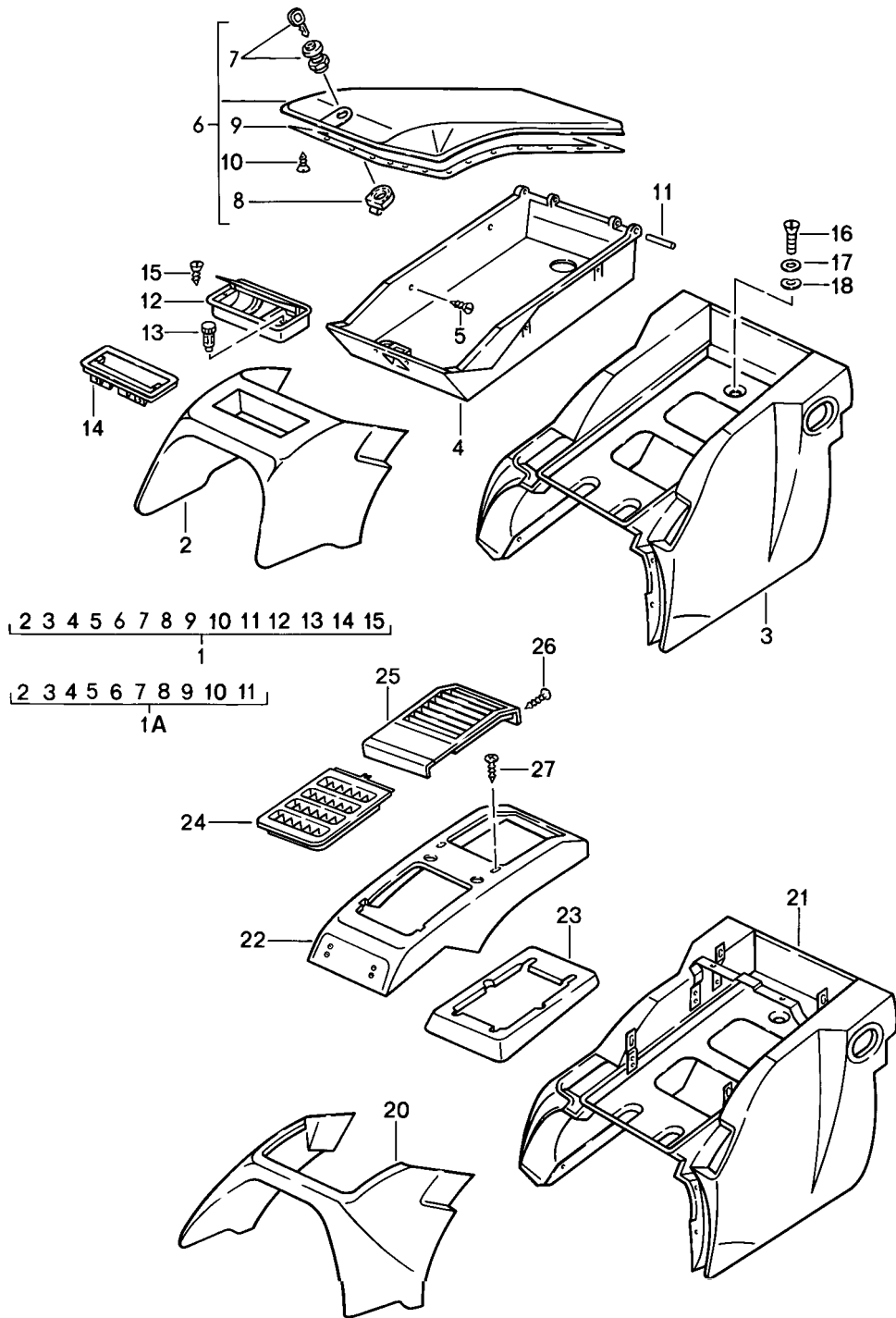
Model: 928 83

Model life 1983>>1986

Pos	Part Number	Description	Remark	Qty	Model
42	928 521 683 02	Washer		8	
43	900 034 003 02	Hexagon nut M 10		4	

Model: 928 83

Model life 1983>>1986



Model: 928 83 Model life 1983>>1986

Pos	Part Number	Description	Remark	Qty	Model
1	928 522 065 50	Package box Rear	83	1	
	928 522 065 50 KZ2	Package box Leather Black			
	928 522 065 50 4RB	Brown			
	928 522 065 50 KZ3	Blue			
	928 522 065 50 LG7	Burgundy			
	928 522 065 50 KZ4	Grey-beige			
	928 522 065 50 KZ6	Can-can-red			
	928 522 065 50 LG4	Pearl white			
	928 522 065 50 LG5	Champagne			
	928 522 065 50 LG6	Dark green			
(1)	928 522 065 51	Package box Leather	83	1	AUT.
	928 522 065 51 KZ2	Black			
	928 522 065 51 4RB	Brown			
	928 522 065 51 KZ3	Blue			
	928 522 065 51 LG7	Burgundy			
	928 522 065 51 KZ4	Grey-beige			
	928 522 065 51 KZ6	Can-can-red			
	928 522 065 51 LG4	Pearl white			
	928 522 065 51 LG5	Champagne			
	928 522 065 51 LG6	Dark green			
1A	928 522 065 56	Package box Leather F >>92GS8 60999	84-	1	
	928 522 065 56 KZ2	Black			
	928 522 065 56 4RB	Brown			
	928 522 065 56 KZ3	Blue			
	928 522 065 56 LG7	Burgundy			
	928 522 065 56 KZ4	Grey-beige	84		
	928 522 065 56 QC2	Greyish green	85		
	928 522 065 56 KZ6	Can-can-red			
	928 522 065 56 LG4	Pearl white			
	928 522 065 56 LG5	Champagne			
	928 522 065 56 LG6	Dark green			
	928 522 065 56 PY9	Ocean blue	85		
	928 522 065 56 PZ1	Wild buffalo	85		
(1A)	928 522 065 58	Package box Leather F 92GS8 61000>>		1	
	928 522 065 58 KZ2	Black			
	928 522 065 58 4RB	Brown			
	928 522 065 58 KZ3	Blue			
	928 522 065 58 LG7	Burgundy			
	928 522 065 58 KZ4	Grey-beige			
	928 522 065 58 QC2	Greyish green			
	928 522 065 58 KZ6	Can-can-red			
	928 522 065 58 LG4	Pearl white			
	928 522 065 58 LG5	Champagne			
	928 522 065 58 LG6	Dark green			
	928 522 065 58 PY9	Ocean blue			
	928 522 065 58 PZ1	Wild buffalo			
(1A)	928 522 065 06	Package box Leatherette F >>92GS8 60999	84-	1	
	928 522 065 06 05T	Black			
	928 522 065 06 4RB	Brown			
	928 522 065 06 1HH	Blue			
	928 522 065 06 3MX	Burgundy			
	928 522 065 06 5FX	Grey-beige	84		
	928 522 065 06 4JX	Greyish green	85		

Model: 928 83 Model life 1983>>1986

Pos	Part Number	Description	Remark	Qty	Model
(1A)	928 522 065 08	Package box Leatherette F 92GS8 61000>>		1	
	928 522 065 08 05T	Black			
	928 522 065 08 4RB	Brown			
	928 522 065 08 1HH	Blue			
	928 522 065 08 3MX	Burgundy			
	928 522 065 08 5FX	Grey-beige			
	928 522 065 08 4JX	Greyish green			
2	928 522 063 50	Package box Front part Leather	83	1	
	928 522 063 50 KZ2	Black			
	928 522 063 50 4RB	Brown			
	928 522 063 50 KZ3	Blue			
	928 522 063 50 LG7	Burgundy			
	928 522 063 50 KZ4	Grey-beige			
	928 522 063 50 KZ6	Can-can-red			
	928 522 063 50 LG4	Pearl white			
	928 522 063 50 LG5	Champagne			
	928 522 063 50 LG6	Dark green			
2	928 522 063 51	Package box Front part Leather	83	1	AUT.
	928 522 063 51 KZ2	Black			
	928 522 063 51 4RB	Brown			
	928 522 063 51 KZ3	Blue			
	928 522 063 51 LG7	Burgundy			
	928 522 063 51 KZ4	Grey-beige			
	928 522 063 51 KZ6	Can-can-red			
	928 522 063 51 LG4	Pearl white			
	928 522 063 51 LG5	Champagne			
	928 522 063 51 LG6	Dark green			
(2)	928 522 063 52	Package box Front part Leather	84	1	
	928 522 063 52 KZ2	Black			
	928 522 063 52 4RB	Brown			
	928 522 063 52 KZ3	Blue			
	928 522 063 52 LG7	Burgundy			
	928 522 063 52 KZ4	Grey-beige			
	928 522 063 52 KZ6	Can-can-red			
	928 522 063 52 LG4	Pearl white			
	928 522 063 52 LG5	Champagne			
	928 522 063 52 LG6	Dark green			
(2)	928 522 063 55	Package box Front part Leather	85-	1	
	928 522 063 55 KZ2	Black			
	928 522 063 55 4RB	Brown			
	928 522 063 55 KZ3	Blue			
	928 522 063 55 LG7	Burgundy			
	928 522 063 55 KZ4	Grey-beige	86		
	928 522 063 55 QC2	Greyish green			
	928 522 063 55 KZ6	Can-can-red			
	928 522 063 55 LG4	Pearl white			
	928 522 063 55 LG5	Champagne			
	928 522 063 55 LG6	Dark green			
	928 522 063 55 PY9	Ocean blue			
	928 522 063 55 PZ1	Wild buffalo			
(2)	928 522 063 04	Package box Front part Leatherette	84	1	

Model: 928 83

Model life 1983>>1986

Pos	Part Number	Description	Remark	Qty	Model
	928 522 063 04 05T	Black			
	928 522 063 04 4RB	Brown			
	928 522 063 04 1HH	Blue			
	928 522 063 04 3MX	Burgundy			
	928 522 063 04 5FX	Grey-beige			
(2)	928 522 063 07	Package box	85-	1	
		Front part			
		Leatherette			
	928 522 063 07 05T	Black			
	928 522 063 07 4RB	Brown			
	928 522 063 07 1HH	Blue			
	928 522 063 07 3MX	Burgundy			
	928 522 063 07 5FX	Grey-beige			
	928 522 063 07 4JX	Greyish green			
3	928 522 067 50	Package box	83	1	
		Leather			
	928 522 067 50 KZ2	Black			
	928 522 067 50 4RB	Brown			
	928 522 067 50 KZ3	Blue			
	928 522 067 50 LG7	Burgundy			
	928 522 067 50 KZ4	Grey-beige			
	928 522 067 50 KZ6	Can-can-red			
	928 522 067 50 LG4	Pearl white			
	928 522 067 50 LG5	Champagne			
	928 522 067 50 LG6	Dark green			
(3)	928 522 067 55	Package box	83	1	AUT.
		Leather			
	928 522 067 55 KZ2	Black			
	928 522 067 55 4RB	Brown			
	928 522 067 55 KZ3	Blue			
	928 522 067 55 LG7	Burgundy			
	928 522 067 55 KZ4	Grey-beige			
	928 522 067 55 KZ6	Can-can-red			
	928 522 067 55 LG4	Pearl white			
	928 522 067 55 LG5	Champagne			
	928 522 067 55 LG6	Dark green			
(3)	928 522 067 55	Package box	84-	1	
		Leather			
	928 522 067 55 KZ2	Black			
	928 522 067 55 4RB	Brown			
	928 522 067 55 KZ3	Blue			
	928 522 067 55 LG7	Burgundy			
	928 522 067 55 KZ4	Grey-beige	84, 86		
	928 522 067 55 QC2	Greyish green	85-		
	928 522 067 55 KZ6	Can-can-red			
	928 522 067 55 LG4	Pearl white			
	928 522 067 55 LG5	Champagne			
	928 522 067 55 LG6	Dark green			
	928 522 067 55 PY9	Ocean blue	85-		
	928 522 067 55 PZ1	Wild buffalo	85-		
(3)	928 522 067 05	Package box	84-	1	
		Leatherette			
	928 522 067 05 05T	Black			
	928 522 067 05 4RB	Brown			
	928 522 067 05 1HH	Blue			
	928 522 067 05 3MX	Burgundy			
	928 522 067 05 5FX	Grey-beige	84, 86		
	928 522 067 05 4JX	Greyish green	85-		
4	928 522 279 02	Insert		1	
		Package box			
	928 522 279 02 70B	Black			
5	900 144 017 07	Tapping screw		6	
		B 2,9 X 13			

Model: 928 83 Model life 1983>>1986

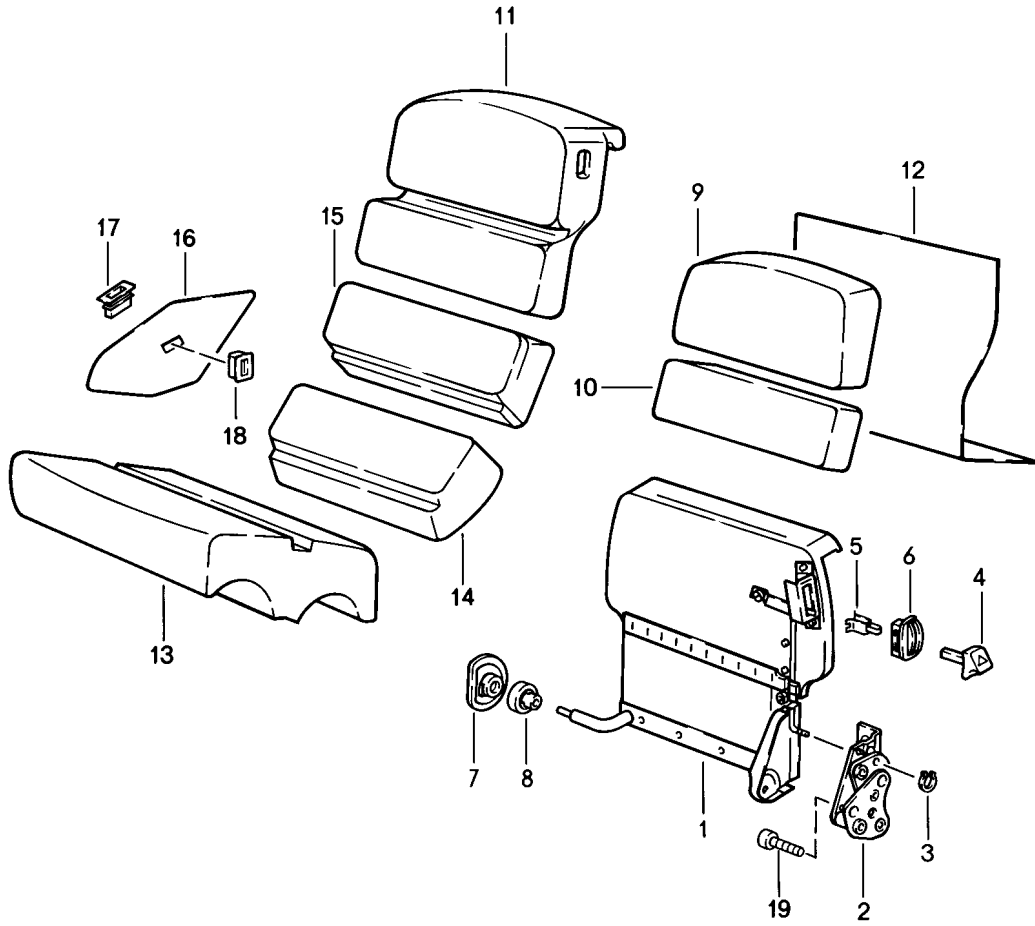
Pos	Part Number	Description	Remark	Qty	Model
6	928 522 061 50	Lid Leather		1	
	928 522 061 50 KZ2	Black			
	928 522 061 50 4RB	Brown			
	928 522 061 50 KZ3	Blue			
	928 522 061 50 LG7	Burgundy			
	928 522 061 50 KZ4	Grey-beige	84,86		
	928 522 061 50 QC2	Greyish green	85-		
	928 522 061 50 KZ6	Can-can-red			
	928 522 061 50 LG4	Pearl white			
	928 522 061 50 LG5	Champagne			
	928 522 061 50 LG6	Dark green			
	928 522 061 50 PY9	Ocean blue	85-		
	928 522 061 50 PZ1	Wild buffalo	85-		
6	928 522 061 02	Lid Leatherette	84-	1	
	928 522 061 02 05T	Black			
	928 522 061 02 4RB	Brown			
	928 522 061 02 1HH	Blue			
	928 522 061 02 3MX	Burgundy			
	928 522 061 02 5FX	Grey-beige	84,86		
	928 522 061 02 4JX	Greyish green	85-		
7	928 522 015 02	Push-button lock with keys		1	
8	928 522 069 02	Catch		1	
9	928 522 269 02	Cover strip		1	
10	900 143 066 07	Screw ST 4,2 X 9,5		3	
-	999 141 010 07	Countersunk-head screw 7 X 7/3,6		14	
11	900 309 010 00	Roll pin 3 X 32		2	
12	928 552 060 03	Ashtray	83	1	
13	928 652 103 00	Cigarette lighter	83	1	
14	928 522 277 03	Insert	83	1	
15	900 144 017 07	Tapping screw B 2,9 X 13	83	2	
16	N 014 139 1B	Oval-head screw		3	
16	N 014 139 11	Oval-head screw M 6 X 12		3	
16	N 014 139 1B	Oval-head screw M 6 X 12		3	
17	900 089 005 02	Washer 6		3	
18	N 012 226 5	Spring washer B 6		3	
20	928 522 063 08	Package box Front part Leatherette	85-	1	M570
	928 522 063 08 05T	Black			
	928 522 063 08 4RB	Brown			
	928 522 063 08 1HH	Blue			
	928 522 063 08 3MX	Burgundy			
	928 522 063 08 5FX	Grey-beige	86		
	928 522 063 08 4JX	Greyish green			
20	928 522 063 56	Package box Front part Leather	85-	1	M570
	928 522 063 56 KZ2	Black			
	928 522 063 56 4RB	Brown			
	928 522 063 56 KZ3	Blue			
	928 522 063 56 LG7	Burgundy			
	928 522 063 56 KZ4	Grey-beige	86		

Model: 928 83 Model life 1983>>1986

Pos	Part Number	Description	Remark	Qty	Model
	928 522 063 56 QC2	Greyish green			
	928 522 063 56 KZ6	Can-can-red			
	928 522 063 56 LG4	Pearl white			
	928 522 063 56 LG5	Champagne			
	928 522 063 56 LG6	Dark green			
	928 522 063 56 PY9	Ocean blue			
	928 522 063 56 PZ1	Wild buffalo			
21	928 522 067 06	Package box Leatherette	85-	1	M570
	928 522 067 06 05T	Black			
	928 522 067 06 4RB	Brown			
	928 522 067 06 1HH	Blue			
	928 522 067 06 3MX	Burgundy			
	928 522 067 06 4JX	Greyish green			
	928 522 067 06 5FX	Grey-beige	86		
21	928 522 067 56	Package box Leather	85-	1	M570
	928 522 067 56 KZ2	Black			
	928 522 067 56 4RB	Brown			
	928 522 067 56 KZ3	Blue			
	928 522 067 56 LG7	Burgundy			
	928 522 067 56 QC2	Greyish green			
	928 522 067 56 KZ4	Grey-beige	86		
	928 522 067 56 KZ6	Can-can-red			
	928 522 067 56 LG4	Pearl white			
	928 522 067 56 LG5	Champagne			
	928 522 067 56 LG6	Dark green			
	928 522 067 56 PZ1	Wild buffalo			
	928 522 067 56 PY9	Ocean blue			
22	928 570 031 00	Cover Leatherette	85-	1	M570
	928 570 031 00 5CT	Black			
	928 570 031 00 6RT	Brown			
	928 570 031 00 8HT	Blue			
	928 570 031 00 1MA	Burgundy			
	928 570 031 00 1JL	Greyish green			
	928 570 031 00 5FX	Grey-beige	86		
22	928 570 031 50	Cover Leather	85-	1	M570
	928 570 031 50 KZ2	Black			
	928 570 031 50 4RB	Brown			
	928 570 031 50 KZ3	Blue			
	928 570 031 50 LG7	Burgundy			
	928 570 031 50 QC2	Greyish green			
	928 570 031 50 KZ4	Grey-beige	86		
	928 570 031 50 KZ6	Can-can-red			
	928 570 031 50 LG4	Pearl white			
	928 570 031 50 LG5	Champagne			
	928 570 031 50 LG6	Dark green			
	928 570 031 50 PZ1	Wild buffalo			
	928 570 031 50 PY9	Ocean blue			
23	928 570 293 01	Gasket	85-	1	M570
23		Gasket		1	M570
24	928 570 033 00	Nozzle	85-	1	M570
25	928 570 053 00	Grille	85-	1	M570
	928 570 053 00 1DB	Black			
26	900 145 070 07	Tapping screw ST 13 X 16	85-	2	M570
27	999 591 716 02	Tapping nut 3,0	85-	4	M570

Model: 928 83

Model life 1983>>1986



Model: 928 83 Model life 1983>>1986

Pos	Part Number	Description	Remark	Qty	Model
1	928 522 013 02	Back seat Backrest frame	/L	1	
(1)	928 522 014 02	Backrest frame	/R	1	
2	928 522 085 03	Backrest fittings	/L	1	
(2)	928 522 086 03	Backrest fittings	/R	1	
3	N 012 432 1	Lock washer 2,3		4	
4	911 521 817 00	Control button		2	
	911 521 817 00 01C	Satin black			
5	311 881 247	Clip		2	
6	911 521 815 00	Rosette		2	
	911 521 815 00 01C	Satin black			
7	928 522 619 02	Rosette for Bearing Backrest		2	
8	928 522 635 02	Bearing sleeve		2	
9	928 522 251 02	Foam part Upper	/L	1	
(9)	928 522 252 02	Foam part Upper	/R	1	
10	928 522 253 02	Foam part Lower	/L	1	
(10)	928 522 254 02	Foam part Lower	/R	1	
(11)	928 522 037 50	Back seat backrest cover Leather	/L -84	1	
	928 522 037 50 KZ2	Black			
	928 522 037 50 KZ5	Brown			
	928 522 037 50 KZ3	Blue			
	928 522 037 50 LG7	Burgundy			
	928 522 037 50 KZ4	Grey-beige			
	928 522 037 50 KZ6	Can-can-red			
	928 522 037 50 LG4	Pearl white			
	928 522 037 50 LG5	Champagne			
	928 522 037 50 LG6	Dark green			
(11)	928 522 038 50	Back seat backrest cover Leather	/R -84	1	
	928 522 038 50 KZ2	Black			
	928 522 038 50 KZ5	Brown			
	928 522 038 50 KZ3	Blue			
	928 522 038 50 LG7	Burgundy			
	928 522 038 50 KZ4	Grey-beige			
	928 522 038 50 KZ6	Can-can-red			
	928 522 038 50 LG4	Pearl white			
	928 522 038 50 LG5	Champagne			
	928 522 038 50 LG6	Dark green			
(11)	928 522 037 51	Back seat backrest cover Leather/ Checker board velour	/L -84	1	
	928 522 037 51 LH1	Black/ Light grey/black			
	928 522 037 51 LH2	Brown/ Brown-grey			
	928 522 037 51 LH3	Blue/ Blue-grey			
	928 522 037 51 LH4	Burgundy/ Burgundy-grey			
	928 522 037 51 LH5	Grey-beige/ Brown-grey			
(11)	928 522 038 51	Back seat backrest cover Leather/ Checker board velour	/R -84	1	

Model: 928 83 Model life 1983>>1986

Pos	Part Number	Description	Remark	Qty	Model
	928 522 038 51 LH1	Black/ Light grey/black			
	928 522 038 51 LH2	Brown/ Brown-grey			
	928 522 038 51 LH3	Blue/ Blue-grey			
	928 522 038 51 LH4	Burgundy/ Burgundy-grey			
	928 522 038 51 LH5	Grey-beige/ Brown-grey			
(11)	928 522 037 51	Back seat backrest cover Leather/ Uni-coloured cloth	/L -84	1	
	928 522 037 51 JN6	Black/black			
	928 522 037 51 LJ1	Brown/brown			
	928 522 037 51 JT4	Blue/blue			
	928 522 037 51 LJ2	Burgundy/burgundy			
	928 522 037 51 LJ3	Grey-beige/grey-beige			
(11)	928 522 038 51	Back seat backrest cover Leather/ Uni-coloured cloth	/R -84	1	
	928 522 038 51 JN6	Black/black			
	928 522 038 51 LJ1	Brown/brown			
	928 522 038 51 JT4	Blue/blue			
	928 522 038 51 LJ2	Burgundy/burgundy			
	928 522 038 51 LJ3	Grey-beige/grey-beige			
(11)	928 522 037 51	Back seat backrest cover Leather/ Berber cloth	/L 83	1	
	928 522 037 51 JH1	Black/ Grey/black	83 83		
	928 522 037 51 JH2	Brown/ Beige/brown	83 83		
	928 522 037 51 JD4	Blue/ Blue/black	83 83		
	928 522 037 51 LH8	Burgundy/ Burgundy-grey	83 83		
	928 522 037 51 LH9	Grey-beige/ Grey-beige-grey	83 83		
(11)	928 522 038 51	Back seat backrest cover Leather/ Berber cloth	/R 83	1	
	928 522 038 51 JH1	Black/ Grey/black	83 83		
	928 522 038 51 JH2	Brown/ Beige/brown	83 83		
	928 522 038 51 JD4	Blue/ Blue/black	83 83		
	928 522 038 51 LH8	Burgundy/ Burgundy-grey	83 83		
	928 522 038 51 LH9	Grey-beige/ Grey-beige-grey	83 83		
(11)	928 522 037 51	Back seat backrest cover Leather/ Pin stripe velour	/L -84	1	
	928 522 037 51 LS5	Black/ Black-white			
	928 522 037 51 LS6	Brown/ Brown-beige			
	928 522 037 51 LS8	Blue/ Blue-white			
	928 522 037 51 LS9	Burgundy/ Burgundy-white			

Model: 928 83 Model life 1983>>1986

Pos	Part Number	Description	Remark	Qty	Model
	928 522 037 51 LS7	Grey-beige/ Grey-beige-white			
(11)	928 522 038 51	Back seat backrest cover Leather/ Pin stripe velour	/R -84	1	
	928 522 038 51 LS5	Black/ Black-white			
	928 522 038 51 LS6	Brown/ Brown-beige			
	928 522 038 51 LS8	Blue/ Blue-white			
	928 522 038 51 LS9	Burgundy/ Burgundy-white			
	928 522 038 51 LS7	Grey-beige/ Grey-beige-white			
(11)	928 522 037 51	Back seat backrest cover Leather/ Porsche lettering cloth	/L	1	
	928 522 037 51 LR9	Black/black	84		
	928 522 037 51 LS1	Brown/brown	84		
	928 522 037 51 LS3	Blue/blue	84		
	928 522 037 51 LS4	Burgundy/burgundy	84		
	928 522 037 51 LS2	Grey-beige/grey-beige	84		
(11)	928 522 038 51	Back seat backrest cover Leather/ Porsche lettering cloth	/R	1	
	928 522 038 51 LR9	Black/black	84		
	928 522 038 51 LS1	Brown/brown	84		
	928 522 038 51 LS3	Blue/blue	84		
	928 522 038 51 LS4	Burgundy/burgundy	84		
	928 522 038 51 LS2	Grey-beige/grey-beige	84		
(11)	928 522 037 52	Back seat backrest cover Leather	/L 85-	1	
	928 522 037 52 KZ2	Black			
	928 522 037 52 KZ3	Blue			
	928 522 037 52 KZ5	Brown			
	928 522 037 52 LG7	Burgundy			
	928 522 037 52 QC2	Greyish green			
	928 522 037 52 KZ4	Grey-beige	86		
	928 522 037 52 LG6	Dark green			
	928 522 037 52 KZ6	Can-can-red			
	928 522 037 52 LG4	Pearl white			
	928 522 037 52 LG5	Champagne			
	928 522 037 52 PY9	Ocean blue			
	928 522 037 52 PZ1	Wild buffalo			
(11)	928 522 038 52	Back seat backrest cover Leather	/R 85-	1	
	928 522 038 52 KZ2	Black			
	928 522 038 52 KZ3	Blue			
	928 522 038 52 KZ5	Brown			
	928 522 038 52 LG7	Burgundy			
	928 522 038 52 QC2	Greyish green			
	928 522 038 52 KZ4	Grey-beige	86		
	928 522 038 52 LG6	Dark green			
	928 522 038 52 KZ6	Can-can-red			
	928 522 038 52 LG4	Pearl white			
	928 522 038 52 LG5	Champagne			
	928 522 038 52 PY9	Ocean blue			
	928 522 038 52 PZ1	Wild buffalo			
(11)	928 522 037 53	Back seat backrest cover Leather/ Pin stripe velour	/L 85-	1	
	928 522 037 53 LS5	Black/			

Model: 928 83 Model life 1983>>1986

Pos	Part Number	Description	Remark	Qty	Model
	928 522 037 53 LS6	Black-white Brown/ Brown-beige			
	928 522 037 53 LS8	Blue/ Blue-white			
	928 522 037 53 LS9	Burgundy/ Burgundy-white			
	928 522 037 53 QA7	Greyish green/ Greyish green-white			
	928 522 037 53 LS7	Grey-beige/ Grey-beige-white	86 86		
(11)	928 522 038 53	Back seat backrest cover Leather/ Pin stripe velour	/R 85-	1	
	928 522 038 53 LS5	Black/ Black-white			
	928 522 038 53 LS6	Brown/ Brown-beige			
	928 522 038 53 LS8	Blue/ Blue-white			
	928 522 038 53 LS9	Burgundy/ Burgundy-white			
	928 522 038 53 QA7	Greyish green/ Greyish green-white			
	928 522 038 53 LS7	Grey-beige/ Grey-beige-white	86 86		
(11)	928 522 037 53	Back seat backrest cover Leather/ Pin stripe flannel	/L 85-	1	
	928 522 037 53 QB1	Black/anthracite			
	928 522 037 53 QB3	Brown/brown			
	928 522 037 53 QB5	Blue/blue			
	928 522 037 53 QB7	Burgundy/burgundy			
	928 522 037 53 QA8	Greyish green/grey-green			
(11)	928 522 038 53	Back seat backrest cover Leather/ Pin stripe flannel	/R 85-	1	
	928 522 038 53 QB1	Black/anthracite			
	928 522 038 53 QB3	Brown/brown			
	928 522 038 53 QB5	Blue/blue			
	928 522 038 53 QB7	Burgundy/burgundy			
	928 522 038 53 QA8	Greyish green/grey-green			
(11)	928 522 037 53	Back seat backrest cover Leather/ Porsche lettering cloth	/L 85-	1	
	928 522 037 53 QB2	Black/black			
	928 522 037 53 QB4	Brown/brown			
	928 522 037 53 QB6	Blue/blue			
	928 522 037 53 QB8	Burgundy/burgundy			
	928 522 037 53 QA9	Greyish green/grey-green			
	928 522 037 53 RU1	Grey-beige/grey-beige	86		
(11)	928 522 038 53	Back seat backrest cover Leather/ Porsche lettering cloth	/R 85-	1	
	928 522 038 53 QB2	Black/black			
	928 522 038 53 QB4	Brown/brown			
	928 522 038 53 QB6	Blue/blue			
	928 522 038 53 QB8	Burgundy/burgundy			
	928 522 038 53 QA9	Greyish green/grey-green			
	928 522 038 53 RU1	Grey-beige/grey-beige	86		
12	928 522 051 03	Carpet for Back seat backrest	/L	1	

Model: 928 83 Model life 1983>>1986

Pos	Part Number	Description	Remark	Qty	Model
	928 522 051 03 2FL	Grey-beige	-84, -86		
	928 522 051 03 70E	Black			
	928 522 051 03 40E	Brown			
	928 522 051 03 30B	Blue			
	928 522 051 03 80E	Burgundy			
	928 522 051 03 8JK	Greyish green	85-		
	928 522 051 03 60A	Grey			
	928 522 051 03 6JD	Dark green			
	928 522 051 03 80S	Can-can-red			
	928 522 051 03 1VD	Champagne			
	928 522 051 03 2YN	White	85-		
(12)	928 522 052 03	Carpet for Back seat backrest	/R	1	
	928 522 052 03 2FL	Grey-beige	-84, -86		
	928 522 052 03 70E	Black			
	928 522 052 03 40E	Brown			
	928 522 052 03 30B	Blue			
	928 522 052 03 80E	Burgundy			
	928 522 052 03 8JK	Greyish green	85-		
	928 522 052 03 60A	Grey			
	928 522 052 03 6JD	Dark green			
	928 522 052 03 80S	Can-can-red			
	928 522 052 03 1VD	Champagne			
	928 522 052 03 2YN	White	85-		
(13)	928 522 059 04	Seat cushion Front Checker board velour	/L	1	
	928 522 059 04 4FH	Light grey/black	-84		
	928 522 059 04 5RH	Brown-grey	-84		
	928 522 059 04 7GH	Blue-grey	-84		
	928 522 059 04 9LH	Burgundy-grey	-84		
13	928 522 060 05	Seat cushion Front Checker board velour	/R	1	
	928 522 060 05 4FH	Light grey/black	-84		
	928 522 060 05 5RH	Brown-grey	-84		
	928 522 060 05 7GH	Blue-grey	-84		
	928 522 060 05 9LH	Burgundy	-84		
(13)	928 522 059 04	Seat cushion Front Uni-coloured cloth	/L	1	
	928 522 059 04 70F	Black	-84		
	928 522 059 04 7NU	Brown	-84		
	928 522 059 04 30C	Blue	-84		
	928 522 059 04 5MU	Burgundy	-84		
	928 522 059 04 8FU	Grey-beige	-84		
13	928 522 060 05	Seat cushion Front Uni-coloured cloth	/R	1	
	928 522 060 05 70F	Black	-84		
	928 522 060 05 7NU	Brown	-84		
	928 522 060 05 30C	Blue	-84		
	928 522 060 05 5MU	Burgundy	-84		
	928 522 060 05 8FU	Grey-beige	-84		
(13)	928 522 059 04	Seat cushion Front Berber cloth	/L	1	
	928 522 059 04 1GB	Grey/black	83		
	928 522 059 04 8NB	Beige/brown	83		
	928 522 059 04 37B	Blue/black	83		
	928 522 059 04 6LB	Burgundy-grey	83		
	928 522 059 04 1FB	Grey-beige-grey	83		

Model: 928 83 Model life 1983>>1986

Pos	Part Number	Description	Remark	Qty	Model
13	928 522 060 05	Seat cushion Front	/R	1	
		Berber cloth	83		
	928 522 060 05 1GB	Grey/black	83		
	928 522 060 05 8NB	Beige/brown	83		
	928 522 060 05 37B	Blue/black	83		
	928 522 060 05 6LB	Burgundy-grey	83		
	928 522 060 05 1FB	Grey-beige-grey	83		
(13)	928 522 059 04	Seat cushion Front	/L	1	
		Pin stripe velour			
	928 522 059 04 7BN	Black-white			
	928 522 059 04 3NN	Brown-beige			
	928 522 059 04 8GJ	Blue-white			
	928 522 059 04 1MJ	Burgundy-white			
	928 522 059 04 9FN	Grey-beige-white	-84, -86		
	928 522 059 04 3JV	Greyish green-white	85-		
13	928 522 060 05	Seat cushion Front	/R	1	
		Pin stripe velour			
	928 522 060 05 7BN	Black-white			
	928 522 060 05 3NN	Brown-beige			
	928 522 060 05 8GJ	Blue-white			
	928 522 060 05 1MJ	Burgundy-white			
	928 522 060 05 9FN	Grey-beige-white	-84, -86		
	928 522 060 05 3JV	Greyish green-white	85-		
(13)	928 522 059 04	Seat cushion Front	/L	1	
		Porsche lettering cloth			
	928 522 059 04 4CR	Black	84		
	928 522 059 04 6TR	Brown	84		
	928 522 059 04 5HR	Blue	84		
	928 522 059 04 2LR	Burgundy	84		
	928 522 059 04 8RR	Grey-beige	84		
	928 522 059 04 2CZ	Black	85-		
	928 522 059 04 7NZ	Brown	85-		
	928 522 059 04 6HZ	Blue	85-		
	928 522 059 04 5LZ	Burgundy	85-		
	928 522 059 04 1JK	Greyish green	85-		
	928 522 059 04 5UY	Grey-beige	86		
13	928 522 060 05	Seat cushion Front	/R	1	
		Porsche lettering cloth			
	928 522 060 05 4CR	Black	84		
	928 522 060 05 6TR	Brown	84		
	928 522 060 05 5HR	Blue	84		
	928 522 060 05 2LR	Burgundy	84		
	928 522 060 05 8RR	Grey-beige	84		
	928 522 060 05 2CZ	Black	85-		
	928 522 060 05 7NZ	Brown	85-		
	928 522 060 05 6HZ	Blue	85-		
	928 522 060 05 5LZ	Burgundy	85-		
	928 522 060 05 1JK	Greyish green	85-		
	928 522 060 05 5UY	Grey-beige	86		
(13)	928 522 059 04	Seat cushion Front	/L	1	
		Pin stripe flannel			
	928 522 059 04 8BF	Anthracite	85-		
	928 522 059 04 2TF	Brown	85-		
	928 522 059 04 6GF	Blue	85-		
	928 522 059 04 1MF	Burgundy	85-		
	928 522 059 04 9JF	Greyish green	85-		
13	928 522 060 05	Seat cushion	/R	1	

Model: 928 83 Model life 1983>>1986

Pos	Part Number	Description	Remark	Qty	Model
		Front			
		Pin stripe flannel			
	928 522 060 05 8BF	Anthracite	85-		
	928 522 060 05 2TF	Brown	85-		
	928 522 060 05 6GF	Blue	85-		
	928 522 060 05 1MF	Burgundy	85-		
	928 522 060 05 9JF	Greyish green	85-		
(13)	928 522 059 51	Seat cushion	/L	1	
		Front			
		Leather			
	928 522 059 51 KZ2	Black			
	928 522 059 51 KZ5	Cadbury brown			
	928 522 059 51 KZ3	Blue			
	928 522 059 51 LG7	Burgundy			
	928 522 059 51 KZ4	Grey-beige	-84, -86		
	928 522 059 51 KZ6	Can-can-red			
	928 522 059 51 LG4	Pearl white			
	928 522 059 51 LG5	Champagne			
	928 522 059 51 LG6	Dark green			
	928 522 059 51 QC2	Greyish green	85-		
	928 522 059 51 PY9	Ocean blue	85-		
	928 522 059 51 PZ1	Wild buffalo	85-		
13	928 522 060 52	Seat cushion	/R	1	
		Front			
		Leather			
	928 522 060 52 KZ2	Black			
	928 522 060 52 KZ5	Brown			
	928 522 060 52 KZ3	Blue			
	928 522 060 52 LG7	Burgundy			
	928 522 060 52 KZ4	Grey-beige	-84, -86		
	928 522 060 52 KZ6	Can-can-red			
	928 522 060 52 LG4	Pearl white			
	928 522 060 52 LG5	Champagne			
	928 522 060 52 LG6	Dark green			
	928 522 060 52 QC2	Greyish green	85-		
	928 522 060 52 PY9	Ocean blue	85-		
	928 522 060 52 PZ1	Wild buffalo	85-		
(14)	928 522 087 04	Seat cushion	/L	1	
		Centre			
		Checker board velour			
	928 522 087 04 4FH	Light grey/black	-84		
	928 522 087 04 5RH	Brown-grey	-84		
	928 522 087 04 7GH	Blue-grey	-84		
	928 522 087 04 9LH	Burgundy-grey	-84		
14	928 522 088 04	Seat cushion	/R	1	
		Centre			
		Checker board velour			
	928 522 088 04 4FH	Light grey/black	-84		
	928 522 088 04 5RH	Brown-grey	-84		
	928 522 088 04 7GH	Blue-grey	-84		
	928 522 088 04 9LH	Burgundy-grey	-84		
(14)	928 522 087 04	Seat cushion	/L	1	
		Centre			
		Uni-coloured cloth			
	928 522 087 04 70F	Black	-84		
	928 522 087 04 7NU	Brown	-84		
	928 522 087 04 30C	Blue	-84		
	928 522 087 04 5MU	Burgundy	-84		
	928 522 087 04 8FU	Grey-beige	-84		
14	928 522 088 04	Seat cushion	/R	1	
		Centre			
		Uni-coloured cloth			
	928 522 088 04 70F	Black	-84		

Model: 928 83 Model life 1983>>1986

Pos	Part Number	Description	Remark	Qty	Model
	928 522 088 04 7NU	Brown	-84		
	928 522 088 04 30C	Blue	-84		
	928 522 088 04 5MU	Burgundy	-84		
	928 522 088 04 8FU	Grey-beige	-84		
(14)	928 522 087 04	Seat cushion Centre	/L	1	
		Berber cloth	83		
	928 522 087 04 1GB	Grey/black	83		
	928 522 087 04 8NB	Beige/brown	83		
	928 522 087 04 37B	Blue/black	83		
	928 522 087 04 6LB	Burgundy-grey	83		
	928 522 087 04 1FB	Grey-beige-grey	83		
14	928 522 088 04	Seat cushion Centre	/R	1	
		Berber cloth	83		
	928 522 088 04 1GB	Grey/black	83		
	928 522 088 04 8NB	Beige/brown	83		
	928 522 088 04 37B	Blue/black	83		
	928 522 088 04 6LB	Burgundy-grey	83		
	928 522 088 04 1FB	Grey-beige-grey	83		
(14)	928 522 087 04	Seat cushion Centre	/L	1	
		Pin stripe velour			
	928 522 087 04 7BN	Black-white			
	928 522 087 04 3NN	Brown-beige			
	928 522 087 04 8GJ	Blue-white			
	928 522 087 04 1MJ	Burgundy-white			
	928 522 087 04 9FN	Grey-beige-white	-84, -86		
	928 522 087 04 3JV	Greyish green-white	85-		
14	928 522 088 04	Seat cushion Centre	/R	1	
		Pin stripe velour			
	928 522 088 04 7BN	Black-white			
	928 522 088 04 3NN	Brown-beige			
	928 522 088 04 8GJ	Blue-white			
	928 522 088 04 1MJ	Burgundy-white			
	928 522 088 04 9FN	Grey-beige-white	-84, -86		
	928 522 088 04 3JV	Greyish green-white	85-		
(14)	928 522 087 04	Seat cushion Centre	/L	1	
		Porsche lettering cloth			
	928 522 087 04 4CR	Black	84		
	928 522 087 04 6TR	Brown	84		
	928 522 087 04 5HR	Blue	84		
	928 522 087 04 2LR	Burgundy	84		
	928 522 087 04 8RR	Grey-beige	84		
	928 522 087 04 2CZ	Black	85-		
	928 522 087 04 7NZ	Brown	85-		
	928 522 087 04 6HZ	Blue	85-		
	928 522 087 04 5LZ	Burgundy	85-		
	928 522 087 04 1JK	Greyish green	85-		
	928 522 087 04 5UY	Grey-beige	86		
14	928 522 088 04	Seat cushion Centre	/R	1	
		Porsche lettering cloth			
	928 522 088 04 4CR	Black	84		
	928 522 088 04 6TR	Brown	84		
	928 522 088 04 5HR	Blue	84		
	928 522 088 04 2LR	Burgundy	84		
	928 522 088 04 8RR	Grey-beige	84		
	928 522 088 04 2CZ	Black	85-		
	928 522 088 04 7NZ	Brown	85-		
	928 522 088 04 6HZ	Blue	85-		

Model: 928 83 Model life 1983>>1986

Pos	Part Number	Description	Remark	Qty	Model
(14)	928 522 088 04 5LZ	Burgundy	85-	1	
	928 522 088 04 1JK	Greyish green	85-		
	928 522 088 04 5UY	Grey-beige	86		
	928 522 087 04	Seat cushion Centre Pin stripe flannel	/L		
	928 522 087 04 8BF	Anthracite	85-		
	928 522 087 04 2TF	Brown	85-		
	928 522 087 04 6GF	Blue	85-		
	928 522 087 04 1MF	Burgundy	85-		
	928 522 087 04 9JF	Greyish green	85-		
	14	928 522 088 04	Seat cushion Centre Pin stripe flannel		
(14)	928 522 088 04 8BF	Anthracite	85-	1	
	928 522 088 04 2TF	Brown	85-		
	928 522 088 04 6GF	Blue	85-		
	928 522 088 04 1MF	Burgundy	85-		
	928 522 088 04 9JF	Greyish green	85-		
	928 522 087 51	Seat cushion Centre Leather			
	928 522 087 51 KZ2	Black			
	928 522 087 51 KZ5	Cadbury brown			
	928 522 087 51 KZ3	Blue			
	928 522 087 51 LG7	Burgundy			
14	928 522 087 51 KZ4	Grey-beige	-84, -86	1	
	928 522 087 51 KZ6	Can-can-red			
	928 522 087 51 LG4	Pearl white			
	928 522 087 51 LG5	Champagne			
	928 522 087 51 LG6	Dark green			
	928 522 087 51 QC2	Greyish green	85-		
	928 522 087 51 PY9	Ocean blue	85-		
	928 522 087 51 PZ1	Wild buffalo	85-		
	928 522 088 51	Seat cushion Centre Leather			
	928 522 088 51 KZ2	Black			
(15)	928 522 088 51 KZ5	Brown		1	
	928 522 088 51 KZ3	Blue			
	928 522 088 51 LG7	Burgundy			
	928 522 088 51 KZ4	Grey-beige	-84, -86		
	928 522 088 51 KZ6	Can-can-red			
	928 522 088 51 LG4	Pearl white			
	928 522 088 51 LG5	Champagne			
	928 522 088 51 LG6	Dark green			
	928 522 088 51 QC2	Greyish green	85-		
	928 522 088 51 PY9	Ocean blue	85-		
928 522 088 51 PZ1	Wild buffalo	85-			
15	928 522 045 03	Seat cushion Upper Checker board velour	/L	1	
	928 522 045 03 4FH	Light grey/black	-84		
	928 522 045 03 5RH	Brown-grey	-84		
	928 522 045 03 7GH	Blue-grey	-84		
	928 522 045 03 9LH	Burgundy-grey	-84		
	928 522 046 03	Seat cushion Upper Checker board velour	/R		
	928 522 046 03 4FH	Light grey/black	-84		
	928 522 046 03 5RH	Brown-grey	-84		
	928 522 046 03 7GH	Blue-grey	-84		
	928 522 046 03 9LH	Burgundy-grey	-84		

Model: 928 83 Model life 1983>>1986

Pos	Part Number	Description	Remark	Qty	Model
(15)	928 522 045 03	Seat cushion Upper Uni-coloured cloth	/L	1	
	928 522 045 03 70F	Black	-84		
	928 522 045 03 7NU	Brown	-84		
	928 522 045 03 30C	Blue	-84		
	928 522 045 03 5MU	Burgundy	-84		
	928 522 045 03 8FU	Grey-beige	-84		
15	928 522 046 03	Seat cushion Upper Uni-coloured cloth	/R	1	
	928 522 046 03 70F	Black	-84		
	928 522 046 03 7NU	Brown	-84		
	928 522 046 03 30C	Blue	-84		
	928 522 046 03 5MU	Burgundy	-84		
	928 522 046 03 8FU	Grey-beige	-84		
(15)	928 522 045 03	Seat cushion Upper Berber cloth	/L	1	
	928 522 045 03 1GB	Grey/black	83		
	928 522 045 03 8NB	Beige/brown	83		
	928 522 045 03 37B	Blue/black	83		
	928 522 045 03 6LB	Burgundy-grey	83		
	928 522 045 03 1FB	Grey-beige-grey	83		
15	928 522 046 03	Seat cushion Upper Berber cloth	/R	1	
	928 522 046 03 1GB	Grey/black	83		
	928 522 046 03 8NB	Beige/brown	83		
	928 522 046 03 37B	Blue/black	83		
	928 522 046 03 6LB	Burgundy-grey	83		
	928 522 046 03 1FB	Grey-beige-grey	83		
(15)	928 522 045 03	Seat cushion Upper Pin stripe velour	/L	1	
	928 522 045 03 7BN	Black-white			
	928 522 045 03 3NN	Brown-beige			
	928 522 045 03 8GJ	Blue-white			
	928 522 045 03 1MJ	Burgundy-white			
	928 522 045 03 9FN	Grey-beige-white	-84		
	928 522 045 03 3JV	Greyish green-white	85-		
15	928 522 046 03	Seat cushion Upper Pin stripe velour	/R	1	
	928 522 046 03 7BN	Black-white			
	928 522 046 03 3NN	Brown-beige			
	928 522 046 03 8GJ	Blue-white			
	928 522 046 03 1MJ	Burgundy-white			
	928 522 046 03 9FN	Grey-beige-white	-84		
	928 522 046 03 3JV	Greyish green-white	85-		
(15)	928 522 045 03	Seat cushion Upper Porsche lettering cloth	/L	1	
	928 522 045 03 4CR	Black	84		
	928 522 045 03 6TR	Brown	84		
	928 522 045 03 5HR	Blue	84		
	928 522 045 03 2LR	Burgundy	84		
	928 522 045 03 8RR	Grey-beige	84		
	928 522 045 03 2CZ	Black	85-		
	928 522 045 03 7NZ	Brown	85-		
	928 522 045 03 6HZ	Blue	85-		
	928 522 045 03 5LZ	Burgundy	85-		
	928 522 045 03 1JK	Greyish green	85-		

Model: 928 83 Model life 1983>>1986

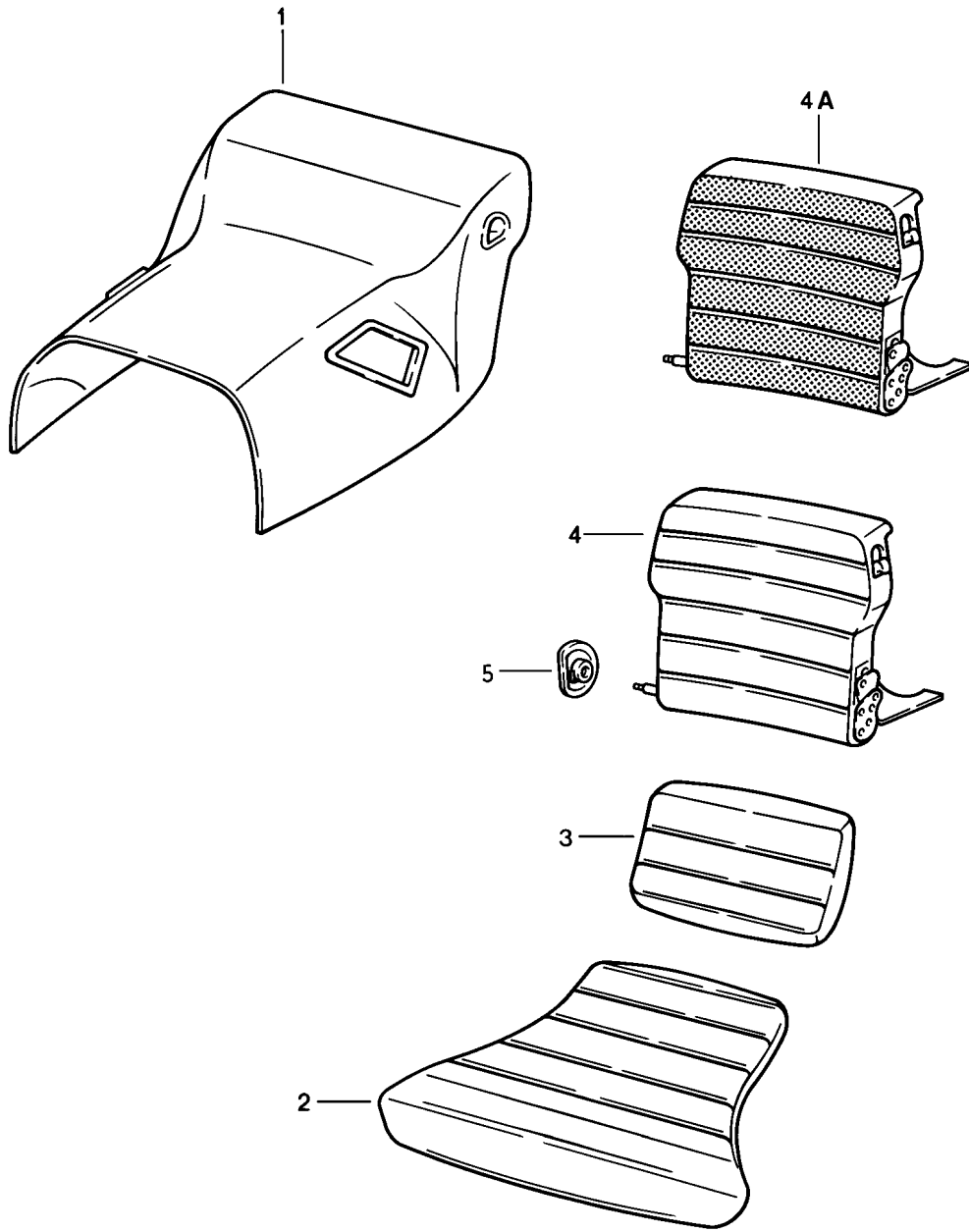
Pos	Part Number	Description	Remark	Qty	Model
15	928 522 045 03 5UY	Grey-beige	86	1	
	928 522 046 03	Seat cushion	/R		
		Upper			
		Porsche lettering cloth			
	928 522 046 03 4CR	Black	84		
	928 522 046 03 6TR	Brown	84		
	928 522 046 03 5HR	Blue	84		
	928 522 046 03 2LR	Burgundy	84		
	928 522 046 03 8RR	Grey-beige	84		
	928 522 046 03 2CZ	Black	85-		
	928 522 046 03 7NZ	Brown	85-		
	928 522 046 03 6HZ	Blue	85-		
928 522 046 03 5LZ	Burgundy	85-			
928 522 046 03 1JK	Greyish green	85-			
928 522 046 03 5UY	Grey-beige	86	1		
(15) 928 522 045 03	Seat cushion	/L			
	Upper				
	Pin stripe flannel				
928 522 045 03 8BF	Anthracite	85-			
928 522 045 03 2TF	Brown	85-			
928 522 045 03 6GF	Blue	85-			
928 522 045 03 1MF	Burgundy	85-			
928 522 045 03 9JF	Greyish green	85-			
15 928 522 046 03	Seat cushion	/R			
	Upper				
	Pin stripe flannel				
928 522 046 03 8BF	Anthracite	85-			
928 522 046 03 2TF	Brown	85-			
928 522 046 03 6GF	Blue	85-			
928 522 046 03 1MF	Burgundy	85-			
928 522 046 03 9JF	Greyish green	85-			
(15) 928 522 045 50	Seat cushion	/L	1		
	Upper				
	Leather				
928 522 045 50 KZ2	Black				
928 522 045 50 KZ5	Cadbury brown				
928 522 045 50 KZ3	Blue				
928 522 045 50 LG7	Burgundy				
928 522 045 50 KZ4	Grey-beige	-84			
928 522 045 50 KZ6	Can-can-red				
928 522 045 50 LG4	Pearl white				
928 522 045 50 LG5	Champagne				
928 522 045 50 LG6	Dark green				
928 522 045 50 QC2	Greyish green	85			
928 522 045 50 PY9	Ocean blue	85			
928 522 045 50 PZ1	Wild buffalo	85			
15 928 522 046 50	Seat cushion	/R	1		
	Upper				
	Leather				
928 522 046 50 KZ2	Black				
928 522 046 50 KZ5	Cadbury brown				
928 522 046 50 KZ3	Blue				
928 522 046 50 LG7	Burgundy				
928 522 046 50 KZ4	Grey-beige	-84			
928 522 046 50 KZ6	Can-can-red				
928 522 046 50 LG4	Pearl white				
928 522 046 50 LG5	Champagne				
928 522 046 50 LG6	Dark green				
928 522 046 50 QC2	Greyish green	85			
928 522 046 50 PY9	Ocean blue	85			
928 522 046 50 PZ1	Wild buffalo	85			
(16) 928 522 041 04	Seat well	/L	1		
	Outer				

Model: 928 83 Model life 1983>>1986

Pos	Part Number	Description	Remark	Qty	Model
		Leatherette			
	928 522 041 04 05T	Black			
	928 522 041 04 4RB	Brown			
	928 522 041 04 1HH	Blue			
	928 522 041 04 3MX	Burgundy			
	928 522 041 04 5FX	Grey-beige	-84		
	928 522 041 04 4JX	Greyish green	85		
16	928 522 042 04	Seat well	/R	1	
		Outer			
		Leatherette			
	928 522 042 04 05T	Black			
	928 522 042 04 4RB	Brown			
	928 522 042 04 1HH	Blue			
	928 522 042 04 3MX	Burgundy			
	928 522 042 04 5FX	Grey-beige	-84		
	928 522 042 04 4JX	Greyish green	85		
(16)	928 522 041 52	Seat well	/L	1	
		Outer			
		Leather			
	928 522 041 52 KZ2	Black			
	928 522 041 52 KZ5	Brown			
	928 522 041 52 KZ3	Blue			
	928 522 041 52 LG7	Burgundy			
	928 522 041 52 KZ4	Grey-beige	-84, -86		
	928 522 041 52 KZ6	Can-can-red			
	928 522 041 52 LG4	Pearl white			
	928 522 041 52 LG5	Champagne			
	928 522 041 52 LG6	Dark green			
	928 522 041 52 QC2	Greyish green	85		
	928 522 041 52 PY9	Ocean blue	85		
	928 522 041 52 PZ1	Wild buffalo	85		
16	928 522 042 52	Seat well	/R	1	
		Outer			
		Leather			
	928 522 042 52 KZ2	Black			
	928 522 042 52 KZ5	Brown			
	928 522 042 52 KZ3	Blue			
	928 522 042 52 LG7	Burgundy			
	928 522 042 52 KZ4	Grey-beige	-84, -86		
	928 522 042 52 KZ6	Can-can-red			
	928 522 042 52 LG4	Pearl white			
	928 522 042 52 LG5	Champagne			
	928 522 042 52 LG6	Dark green			
	928 522 042 52 QC2	Greyish green	85		
	928 522 042 52 PY9	Ocean blue	85		
	928 522 042 52 PZ1	Wild buffalo	85		
17	928 522 321 02	Bag		2	
	928 522 321 02 70B	Black			
18	928 522 415 03	Rosette		2	
	928 522 415 03 70B	Satin black			
19	900 119 057 02	Pan-head screw		4	
		M 8 X 20			

Model: 928 83

Model life 1983>>1986



Model: 928 83 Model life 1983>>1986

Pos	Part Number	Description	Remark	Qty	Model
		Back seat	-84		
		Lining			
		Tunnel			
		without			
		Package box			
1	928 522 345 30	Lining	83	1	
		Tunnel			
		Leatherette			
	928 522 345 30 05T	Black			
	928 522 345 30 4RB	Brown			
	928 522 345 30 1HH	Blue			
	928 522 345 30 3MX	Burgundy			
	928 522 345 30 5FX	Grey-beige			
1	928 522 345 31	Lining	83	1	AUT.
		Tunnel			
		Leatherette			
	928 522 345 31 05T	Black			
	928 522 345 31 4RB	Brown			
	928 522 345 31 1HH	Blue			
	928 522 345 31 3MX	Burgundy			
	928 522 345 31 5FX	Grey-beige			
1	928 522 345 31	Lining	84	1	
		Tunnel			
		Leatherette			
	928 522 345 31 05T	Black			
	928 522 345 31 4RB	Brown			
	928 522 345 31 1HH	Blue			
	928 522 345 31 3MX	Burgundy			
	928 522 345 31 5FX	Grey-beige			
1	928 522 345 50	Lining	83	1	
		Tunnel			
		Leather			
	928 522 345 50 KZ2	Black			
	928 522 345 50 KZ3	Blue			
	928 522 345 50 4RB	Brown			
	928 522 345 50 LG7	Burgundy			
	928 522 345 50 KZ4	Grey-beige			
	928 522 345 50 KZ6	Can-can-red			
	928 522 345 50 LG4	Pearl white			
	928 522 345 50 LG5	Champagne			
	928 522 345 50 LG6	Dark green			
1	928 522 345 51	Lining	83	1	AUT.
		Tunnel			
		Leather			
	928 522 345 51 KZ2	Black			
	928 522 345 51 KZ3	Blue			
	928 522 345 51 4RB	Brown			
	928 522 345 51 LG7	Burgundy			
	928 522 345 51 KZ4	Grey-beige			
	928 522 345 51 KZ6	Can-can-red			
	928 522 345 51 LG4	Pearl white			
	928 522 345 51 LG5	Champagne			
	928 522 345 51 LG6	Dark green			
1	928 522 345 51	Lining	84	1	
		Tunnel			
		Leather			
	928 522 345 51 KZ2	Black			
	928 522 345 51 KZ3	Blue			
	928 522 345 51 4RB	Brown			
	928 522 345 51 LG7	Burgundy			
	928 522 345 51 KZ4	Grey-beige			
	928 522 345 51 KZ6	Can-can-red			
	928 522 345 51 LG4	Pearl white			

Model: 928 83 Model life 1983>>1986

Pos	Part Number	Description	Remark	Qty	Model
2	928 522 345 51 LG5	Champagne	/L	1	M409
	928 522 345 51 LG6	Dark green			
	928 522 059 60	Seat cushion			
		Front			
		Leather			
	928 522 059 60 KZ2	Black			
	928 522 059 60 KZ3	Blue			
	928 522 059 60 KZ5	Cadbury brown			
	928 522 059 60 LG7	Burgundy			
	928 522 059 60 KZ4	Grey-beige			
2	928 522 059 60 KZ6	Can-can-red	/R	1	M409
	928 522 059 60 LG4	Pearl white			
	928 522 059 60 LG5	Champagne			
	928 522 059 60 LG6	Dark green			
	928 522 060 60	Seat cushion			
		Front			
		Leather			
	928 522 060 60 KZ2	Black			
	928 522 060 60 KZ3	Blue			
	928 522 060 60 KZ5	Cadbury brown			
2	928 522 060 60 LG7	Burgundy	/L	1	M409
	928 522 060 60 KZ4	Grey-beige			
	928 522 060 60 KZ6	Can-can-red			
	928 522 060 60 LG4	Pearl white			
	928 522 060 60 LG5	Champagne			
	928 522 060 60 LG6	Dark green			
	928 522 059 30	Seat cushion			
		Front			
		Checker board velour			
	928 522 059 30 4FH	Light grey/black			
2	928 522 059 30 5RH	Brown-grey	/R	1	M409
	928 522 059 30 7GH	Blue-grey			
	928 522 059 30 9LH	Burgundy-grey			
	928 522 060 30	Seat cushion			
		Front			
		Checker board velour			
	928 522 060 30 4FH	Light grey/black			
	928 522 060 30 5RH	Brown-grey			
	928 522 060 30 7GH	Blue-grey			
	928 522 060 30 9LH	Burgundy-grey			
2	928 522 059 30	Seat cushion	/L	1	M409
		Uni-coloured cloth			
	928 522 059 30 70F	Black			
	928 522 059 30 7NU	Brown			
	928 522 059 30 30C	Blue			
	928 522 059 30 5MU	Burgundy			
	928 522 059 30 8FU	Grey-beige			
	928 522 060 30	Seat cushion			
		Uni-coloured cloth			
	928 522 060 30 70F	Black			
2	928 522 060 30 7NU	Brown	/R	1	M409
	928 522 060 30 30C	Blue			
	928 522 060 30 5MU	Burgundy			
	928 522 060 30 8FU	Grey-beige			
	928 522 059 30	Seat cushion			
		Pin stripe velour			
	928 522 059 30 4BN	Black-white			
	928 522 059 30 3NN	Brown-beige			
	928 522 059 30 8GJ	Blue-white			
	928 522 059 30 1MJ	Burgundy-white			
2	928 522 059 30 9FN	Grey-beige-white	/L	1	M409
	928 522 060 30	Seat cushion			
		Pin stripe velour			

Model: 928 83 Model life 1983>>1986

Pos	Part Number	Description	Remark	Qty	Model
2	928 522 060 30 4BN	Black-white			
	928 522 060 30 3NN	Brown-beige			
	928 522 060 30 8GJ	Blue-white			
	928 522 060 30 1MJ	Burgundy-white			
	928 522 060 30 9FN	Grey-beige-white			
	928 522 059 30	Seat cushion	/L	1	M409
		Porsche lettering cloth			
	928 522 059 30 4CR	Black	84		
	928 522 059 30 6TR	Brown	84		
	928 522 059 30 5HR	Blue	84		
2	928 522 059 30 2LR	Burgundy	84		
	928 522 059 30 8RR	Grey-beige	84		
	928 522 060 30	Seat cushion	/R	1	M409
		Porsche lettering cloth			
	928 522 060 30 4CR	Black	84		
	928 522 060 30 6TR	Brown	84		
	928 522 060 30 5HR	Blue	84		
	928 522 060 30 2LR	Burgundy	84		
	928 522 060 30 8RR	Grey-beige	84		
	3	928 522 045 60	Seat cushion	/L	1
		Upper			
		Leather			
928 522 045 60 KZ2		Black			
928 522 045 60 KZ3		Blue			
928 522 045 60 KZ5		Cadbury brown			
928 522 045 60 LG7		Burgundy			
928 522 045 60 KZ4		Grey-beige			
928 522 045 60 KZ6		Can-can-red			
928 522 045 60 LG4		Pearl white			
3	928 522 045 60 LG5	Champagne			
	928 522 045 60 LG6	Dark green			
	928 522 046 60	Seat cushion	/R	1	M409
		Upper			
		Leather			
	928 522 046 60 KZ2	Black			
	928 522 046 60 KZ3	Blue			
	928 522 046 60 KZ5	Cadbury brown			
	928 522 046 60 LG7	Burgundy			
	928 522 046 60 KZ4	Grey-beige			
3	928 522 046 60 KZ6	Can-can-red			
	928 522 046 60 LG4	Pearl white			
	928 522 046 60 LG5	Champagne			
	928 522 046 60 LG6	Dark green			
	928 522 045 30	Seat cushion	/L	1	M409
		Upper			
		Checker board velour			
	928 522 045 30 4FH	Light grey/black			
	928 522 045 30 5RH	Brown-grey			
	928 522 045 30 7GH	Blue-grey			
3	928 522 045 30 9LH	Burgundy-grey			
	928 522 046 30	Seat cushion	/R	1	M409
		Upper			
		Checker board velour			
	928 522 046 30 4FH	Light grey/black			
	928 522 046 30 5RH	Brown-grey			
	928 522 046 30 7GH	Blue-grey			
	928 522 046 30 9LH	Burgundy-grey			
	928 522 045 30	Seat cushion	/L	1	M409
		Uni-coloured cloth			
3	928 522 045 30 70F	Black			
	928 522 045 30 7NU	Brown			
	928 522 045 30 30C	Blue/black			
	928 522 045 30 5MU	Burgundy			

Model: 928 83 Model life 1983>>1986

Pos	Part Number	Description	Remark	Qty	Model
3	928 522 045 30 8FU	Grey-beige		1	M409
	928 522 046 30	Seat cushion	/R		
		Uni-coloured cloth			
	928 522 046 30 70F	Black			
	928 522 046 30 7NU	Brown			
	928 522 046 30 30C	Blue			
3	928 522 046 30 5MU	Burgundy		1	M409
	928 522 046 30 8FU	Grey-beige			
	928 522 045 30	Seat cushion	/L		
		Pin stripe velour			
	928 522 045 30 4BN	Black-white			
	928 522 045 30 3NN	Brown-beige			
3	928 522 045 30 8GJ	Blue-white		1	M409
	928 522 045 30 1MJ	Burgundy			
	928 522 045 30 9FN	Grey-beige-white			
	928 522 046 30	Seat cushion	/R		
		Pin stripe velour			
	928 522 046 30 4BN	Black-white			
3	928 522 046 30 3NN	Brown-beige		1	M409
	928 522 046 30 8GJ	Blue-white			
	928 522 046 30 1MJ	Burgundy-white			
	928 522 046 30 9FN	Grey-beige-white			
	928 522 045 30	Seat cushion	/L		
		Porsche lettering cloth			
3	928 522 045 30 4CR	Black	84	1	M409
	928 522 045 30 6TR	Brown	84		
	928 522 045 30 5HR	Blue	84		
	928 522 045 30 2LR	Burgundy	84		
	928 522 045 30 8RR	Grey-beige	84		
	928 522 046 30	Seat cushion	/R		
3		Porsche lettering cloth		1	M409
	928 522 046 30 4CR	Black	84		
	928 522 046 30 6TR	Brown	84		
	928 522 046 30 5HR	Blue	84		
	928 522 046 30 2LR	Burgundy	84		
	928 522 046 30 8RR	Grey-beige	84		
4	928 522 005 60	Back seat backrest	/L	1	M409
		Leather/carpet			
	928 522 005 60 KZ2	Black			
		Black			
	928 522 005 60 LG9	Black			
		Light grey			
	928 522 005 60 KZ5	Cadbury brown			
		Brown			
	928 522 005 60 KZ3	Blue			
		Blue			
	928 522 005 60 LG7	Burgundy			
		Burgundy			
	928 522 005 60 KZ4	Grey-beige			
		Grey-beige			
	928 522 005 60 KZ6	Can-can-red			
		Can-can-red			
	928 522 005 60 LG8	Can-can-red			
		Black			
	928 522 005 60 LJ7	Pearl white			
		Black			
928 522 005 60 LL7	Pearl white				
	Blue				
928 522 005 60 LL8	Pearl white				
	Burgundy				
928 522 005 60 LG5	Champagne/				
	Champagne				
928 522 005 60 LL9	Champagne/				

Model: 928 83

Model life 1983>>1986

Pos	Part Number	Description	Remark	Qty	Model
	928 522 005 60 LM1	Black Champagne/ Brown			
	928 522 005 60 LM2	Champagne/ Blue			
	928 522 005 60 LG6	Dark green Dark green			
4	928 522 006 60	Back seat backrest Leather/carpet	/R	1	M409
	928 522 006 60 KZ2	Black Black			
	928 522 006 60 LG9	Black Light grey			
	928 522 006 60 KZ5	Cadbury brown Brown			
	928 522 006 60 KZ3	Blue Blue			
	928 522 006 60 LG7	Burgundy Burgundy			
	928 522 006 60 KZ4	Grey-beige Grey-beige			
	928 522 006 60 KZ6	Can-can-red Can-can-red			
	928 522 006 60 LG8	Can-can-red Black			
	928 522 006 60 LJ7	Pearl white Black			
	928 522 006 60 LL7	Pearl white Blue			
	928 522 006 60 LL8	Pearl white Burgundy			
	928 522 006 60 LG5	Champagne/ Champagne			
	928 522 006 60 LL9	Champagne/ Black			
	928 522 006 60 LM1	Champagne/ Brown			
	928 522 006 60 LM2	Champagne/ Blue			
	928 522 006 60 LG6	Dark green Dark green			
4A	928 522 005 61	Back seat backrest Leather/ Backrest surface Checker board velour Carpet	/L	1	M409
	928 522 005 61 LH1	Black/ Light grey/black Black			
	928 522 005 61 LH7	Black/ Light grey/black Grey			
	928 522 005 61 LH2	Brown/ Brown-grey Brown			
	928 522 005 61 LH3	Blue/ Blue-grey Blue			
	928 522 005 61 LH4	Burgundy/ Burgundy-grey Burgundy			
	928 522 005 61 LH5	Grey-beige/ Brown-grey			

Model: 928 83 Model life 1983>>1986

Pos	Part Number	Description	Remark	Qty	Model
(4A)	928 522 006 61	Grey-beige Back seat backrest Leather/ Backrest surface Checker board velour Carpet	/R	1	M409
	928 522 006 61 LH1	Black/ Light grey/black			
	928 522 006 61 LH7	Black/ Light grey/black			
	928 522 006 61 LH2	Grey Brown/ Brown-grey Brown			
	928 522 006 61 LH3	Blue/ Blue-grey Blue			
	928 522 006 61 LH4	Burgundy/ Burgundy-grey Burgundy			
	928 522 006 61 LH5	Grey-beige/ Brown-grey Grey-beige			
4A	928 522 005 61	Back seat backrest Leather/ Backrest surface Uni-coloured cloth Carpet	/L	1	M409
	928 522 005 61 JN6	Black/black Black			
	928 522 005 61 LJ4	Black/black Grey			
	928 522 005 61 LJ1	Brown/brown Brown			
	928 522 005 61 JT4	Blue/blue Blue			
	928 522 005 61 LJ2	Burgundy/burgundy Burgundy			
	928 522 005 61 LJ3	Grey-beige/grey-beige Grey-beige			
(4A)	928 522 006 61	Back seat backrest Leather/ Backrest surface Uni-coloured cloth Carpet	/R	1	M409
	928 522 006 61 JN6	Black/black Black			
	928 522 006 61 LJ4	Black/black Grey			
	928 522 006 61 LJ1	Brown/brown Brown			
	928 522 006 61 JT4	Blue/blue Blue			
	928 522 006 61 LJ2	Burgundy/burgundy Burgundy			
	928 522 006 61 LJ3	Grey-beige/grey-beige Grey-beige			
4A	928 522 005 61	Back seat backrest Leather/ Backrest surface Pin stripe velour Carpet	/L	1	M409

Model: 928 83 Model life 1983>>1986

Pos	Part Number	Description	Remark	Qty	Model
	928 522 005 61 LS5	Black/ Black-white			
	928 522 005 61 MZ8	Black/ Black-white Grey			
	928 522 005 61 LS6	Brown/ Brown-beige Brown			
	928 522 005 61 LS8	Blue/ Blue-white Blue			
	928 522 005 61 LS9	Burgundy/ Burgundy-white Burgundy			
	928 522 005 61 LS7	Grey-beige/ Grey-beige-white Grey-beige			
(4A)	928 522 006 61	Back seat backrest Leather/ Backrest surface Pin stripe velour Carpet	/R	1	M409
	928 522 006 61 LS5	Black/ Black-white Black			
	928 522 006 61 MZ8	Black/ Black-white Grey			
	928 522 006 61 LS6	Brown/ Brown-beige Brown			
	928 522 006 61 LS8	Blue/ Blue-white Blue			
	928 522 006 61 LS9	Burgundy/ Burgundy-white Burgundy			
	928 522 006 61 LS7	Grey-beige/ Grey-beige-white Grey-beige			
4A	928 522 005 61	Back seat backrest Leather/ Backrest surface Porsche lettering cloth Carpet	/L	1	M409
	928 522 005 61 LR9	Black/black Black	84		
	928 522 005 61 MZ9	Black/black Grey	84		
	928 522 005 61 LS1	Brown/brown Brown	84		
	928 522 005 61 LS3	Blue/blue Blue	84		
	928 522 005 61 LS4	Burgundy/burgundy Burgundy	84		
	928 522 005 61 LS2	Grey-beige/grey-beige Grey-beige	84		
(4A)	928 522 006 61	Back seat backrest Leather/ Backrest surface Porsche lettering cloth Carpet	/R	1	M409

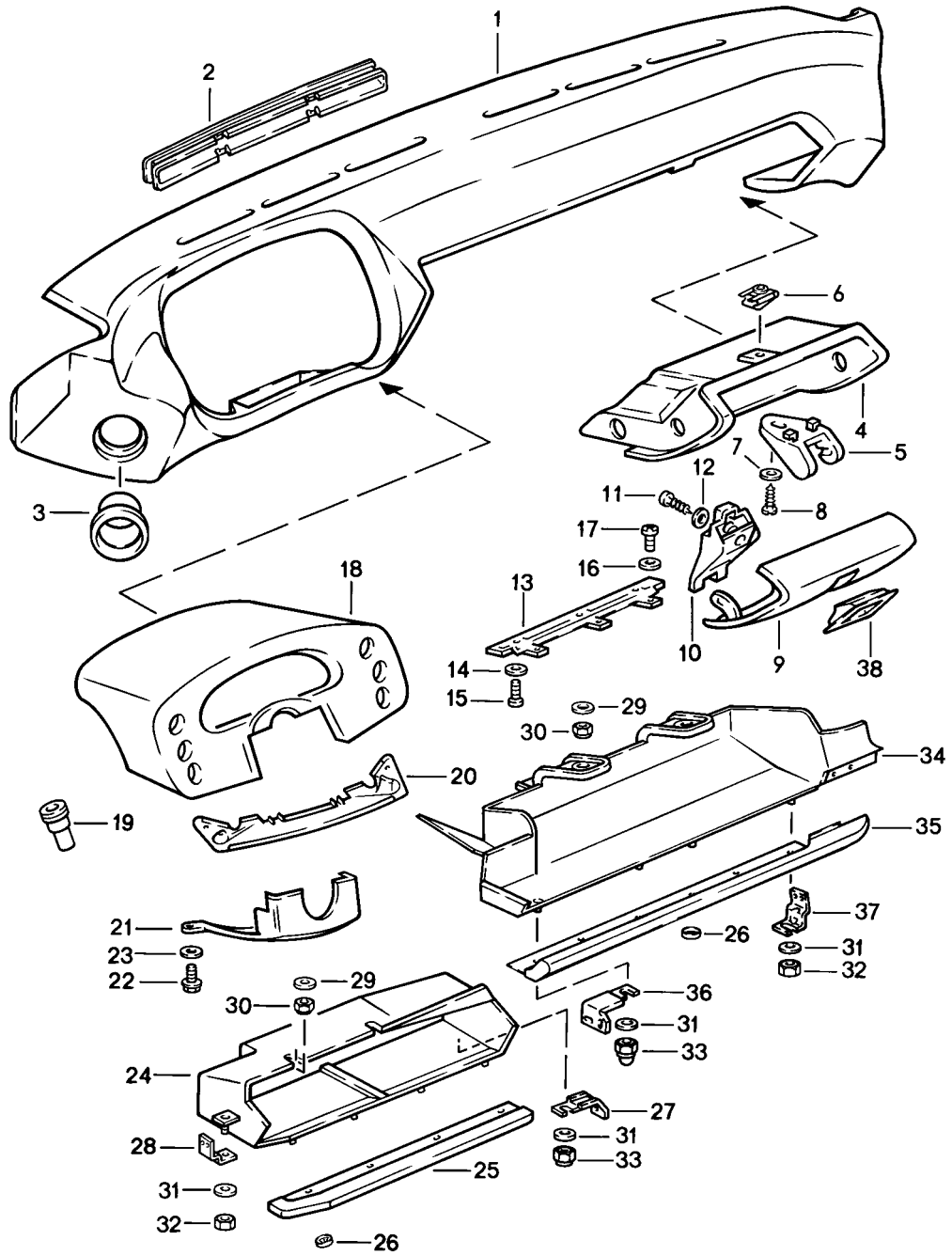
Model: 928 83

Model life 1983>>1986

Pos	Part Number	Description	Remark	Qty	Model
	928 522 006 61 LR9	Black/black	84		
		Black	84		
	928 522 006 61 MZ9	Black/black	84		
		Grey	84		
	928 522 006 61 LS1	Brown/brown	84		
		Brown	84		
	928 522 006 61 LS3	Blue/blue	84		
		Blue	84		
	928 522 006 61 LS4	Burgundy/burgundy	84		
		Burgundy	84		
	928 522 006 61 LS2	Grey-beige/grey-beige	84		
		Grey-beige	84		
5	928 522 619 30	Rosette	-84	2	

Model: 928 83

Model life 1983>>1986



Model: 928 83 Model life 1983>>1986

Pos	Part Number	Description	Remark	Qty	Model
1	928 552 023 04	Dashboard trim	/LL	1	
		Dashboard trim			
		Leatherette			
	928 552 023 04 05T	Black			
	928 552 023 04 4RB	Brown			
	928 552 023 04 30B	Blue			
	928 552 023 04 3MX	Burgundy			
	928 552 023 04 4JX	Greyish green	85-		
1	928 552 021 52	Dashboard trim	/LL	1	
		Leather			
	928 552 021 52 KZ2	Black			
	928 552 021 52 4RB	Brown			
	928 552 021 52 KZ3	Blue			
	928 552 021 52 LG7	Burgundy			
	928 552 021 52 LG6	Dark green			
	928 552 021 52 NY3	Greyish green	85-		
	928 552 021 52 6GX	Ocean blue	85-		
	928 552 021 52 5NW	Wild buffalo	85-		
2	928 552 309 50	Defroster trim	/L	1	M981
	928 552 309 50 5XJ	Black			
	928 552 309 50 70B	Black			
2	928 552 310 50	Defroster trim	/R	1	M981
	928 552 310 50 5XJ	Black			
	928 552 310 50 70B	Black			
3	928 552 057 03	Cover		2	
		Air guide			
4	928 552 051 05	Glove compartment	/LL	1	
	928 552 051 05 71B	Black			
5	928 552 253 03	Closing element		1	
6	999 507 029 02	Speed nut		2	
7	900 151 002 07	Washer		2	
		A 5,3			
8	900 143 019 07	Oval-head sheetmetal screw		2	
		B 4,8 X 22			
9	928 552 053 03	Lid	/LL -85	1	
		Leatherette			
	928 552 053 03 CA1	Black			
	928 552 053 03 LA8	Brown			
	928 552 053 03 CC2	Blue			
	928 552 053 03 JQ5	Burgundy			
	928 552 053 03 NY1	Greyish green	85		
9	928 552 053 04	Glove compartment cover	/LL 86	1	
		Leatherette			
	928 552 053 04 CA1	Black			
	928 552 053 04 LA8	Brown			
	928 552 053 04 CC2	Blue			
	928 552 053 04 JQ5	Burgundy			
	928 552 053 04 NY1	Greyish green			
(9)	928 552 059 52	Glove compartment cover	/LL	1	
		Leather			
	928 552 059 52 LA1	Black			
	928 552 059 52 LA3	Brown			
	928 552 059 52 LA5	Blue			
	928 552 059 52 LL6	Burgundy			
	928 552 059 52 LG6	Dark green			
	928 552 059 52 NY3	Greyish green	85-		
	928 552 059 52 6GX	Ocean blue	85-		
	928 552 059 52 5NW	Wild buffalo	85-		
10	928 552 903 02	Catch		1	
		with stipulated lock number			
		State lock number			
11	900 143 113 07	Oval-head screw		2	
		B 4,2 X 13			

Model: 928 83 Model life 1983>>1986

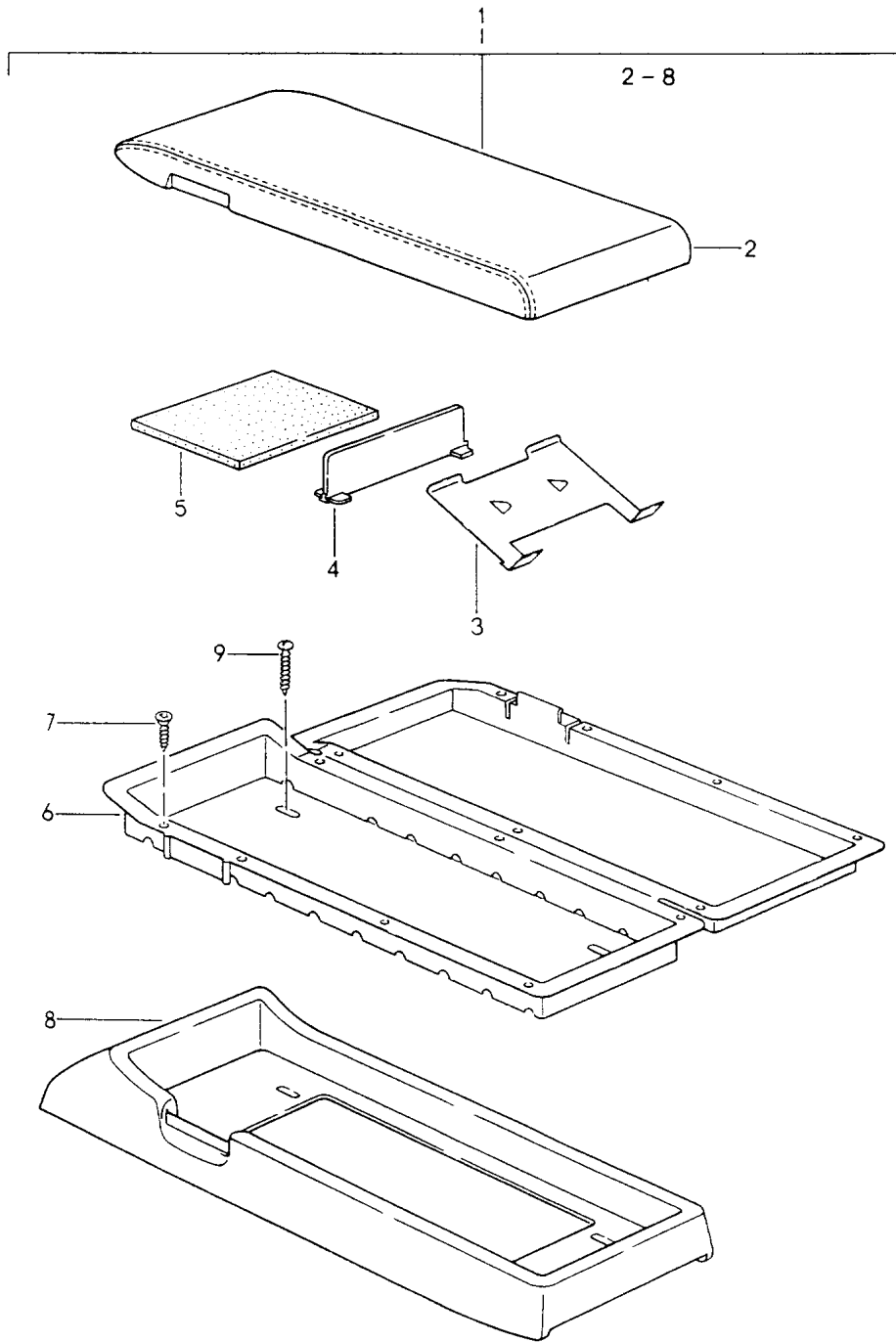
Pos	Part Number	Description	Remark	Qty	Model
11	900 143 113 0G	Oval-head screw B 4,2 X 13		2	
12	N 011 523 11	Washer A 5,3		2	
13	928 552 055 03	Hinge		1	
14	900 151 002 07	Washer A 5,3		3	
15	N 014 133 8	Oval-head screw M 5 X 12		3	
15	N 014 133 I	Oval-head screw M 5 X 12		3	
16	N 011 523 11	Washer A 5,3		3	
17	N 014 128 13	Oval-head screw M 5 X 8		3	
18	928 552 031 02	Instrument box	-85	1	
	928 552 031 02 05T	Black			
	928 552 031 02 4RB	Brown			
	928 552 031 02 30B	Blue			
	928 552 031 02 3MX	Burgundy			
	928 552 031 02 4JX	Greyish green	85		
18	928 552 031 03	Instrument box	86-	1	
	928 552 031 03 05T	Black			
	928 552 031 03 4RB	Brown			
	928 552 031 03 30B	Blue			
	928 552 031 03 3MX	Burgundy			
	928 552 031 03 4JX	Greyish green			
19	928 552 049 02	Spacer sleeve		4	
20	928 552 321 02	Cover		1	
21	928 552 135 03	Cover		1	
	928 552 135 03 1DB	Black			
	928 552 135 03 4RB	Brown			
	928 552 135 03 30B	Blue			
	928 552 135 03 3MX	Burgundy			
	928 552 135 03 4JX	Greyish green	85-		
22	211 829 155	Hexagon-head bolt		2	
23	900 025 007 02	Washer 8,4		2	
23	900 025 007 03	Washer 8,4		2	
24	928 552 117 02	Shelf Driver's side	/LL	1	
	928 552 117 02 71B	Black			
25	928 552 127 02	Edge protection Shelf Leatherette	/LL	1	
	928 552 127 02 05T	Black			
	928 552 127 02 30B	Blue			
	928 552 127 02 4RB	Brown			
	928 552 127 02 3MX	Burgundy			
	928 552 127 02 4JX	Greyish green	85-		
25	928 552 127 50	Edge protection Shelf Leather	/LL	1	
	928 552 127 50 KZ2	Black			
	928 552 127 50 KZ3	Blue			
	928 552 127 50 4RB	Brown			
	928 552 127 50 LG7	Burgundy			
	928 552 127 50 LG6	Dark green			
	928 552 127 50 NY3	Greyish green	85-		
	928 552 127 50 6GX	Ocean blue	85-		
	928 552 127 50 5NW	Wild buffalo	85-		
26	999 507 251 02	Mecano-speed-fix		7	

Model: 928 83 Model life 1983>>1986

Pos	Part Number	Description	Remark	Qty	Model
27	927 552 381 02	Bracket	/R -83	1	
(27)		Bracket	/R 84-	1	
(28)	928 552 395 02	Bracket	/L	1	
29	N 011 524 7	Washer A 6,4		2	
29	N 011 524 27	Washer A 6,4		2	
30	900 085 003 02	Cap nut M 6		2	
31	900 151 027 02	Washer A 5,3		2	
31	900 151 027 03	Washer A 5,3		2	
32	N 011 005 14	Hexagon nut M 5		1	
32	900 076 091 01	Hexagon nut M 5		1	
33	N 011 141 2	Cap nut M 5		1	
34	928 552 077 02	Shelf	/LL	1	
	928 552 077 02 71B	Black			
35	928 552 079 02	Edge protection Shelf Leatherette	/LL	1	
	928 552 079 02 05T	Black			
	928 552 079 02 4RB	Brown			
	928 552 079 02 30B	Blue			
	928 552 079 02 3MX	Burgundy			
	928 552 079 02 4JX	Greyish green	85-		
(35)	928 552 097 50	Edge protection Shelf Leather	/LL	1	
	928 552 097 50 KZ2	Black			
	928 552 097 50 KZ3	Blue			
	928 552 097 50 4RB	Brown			
	928 552 097 50 LG7	Burgundy			
	928 552 097 50 LG6	Dark green			
	928 552 097 50 NY3	Greyish green	85-		
	928 552 097 50 6GX	Ocean blue	85-		
	928 552 097 50 5NW	Wild buffalo	85-		
36	928 552 382 02	Bracket	/LL /L -83	1	
(36)		Bracket	/L 84-	1	
(37)	928 552 395 02	Bracket	/R	1	
38	928 552 315 50	Rosette		1	M981

Model: 928 83

Model life 1983>>1986



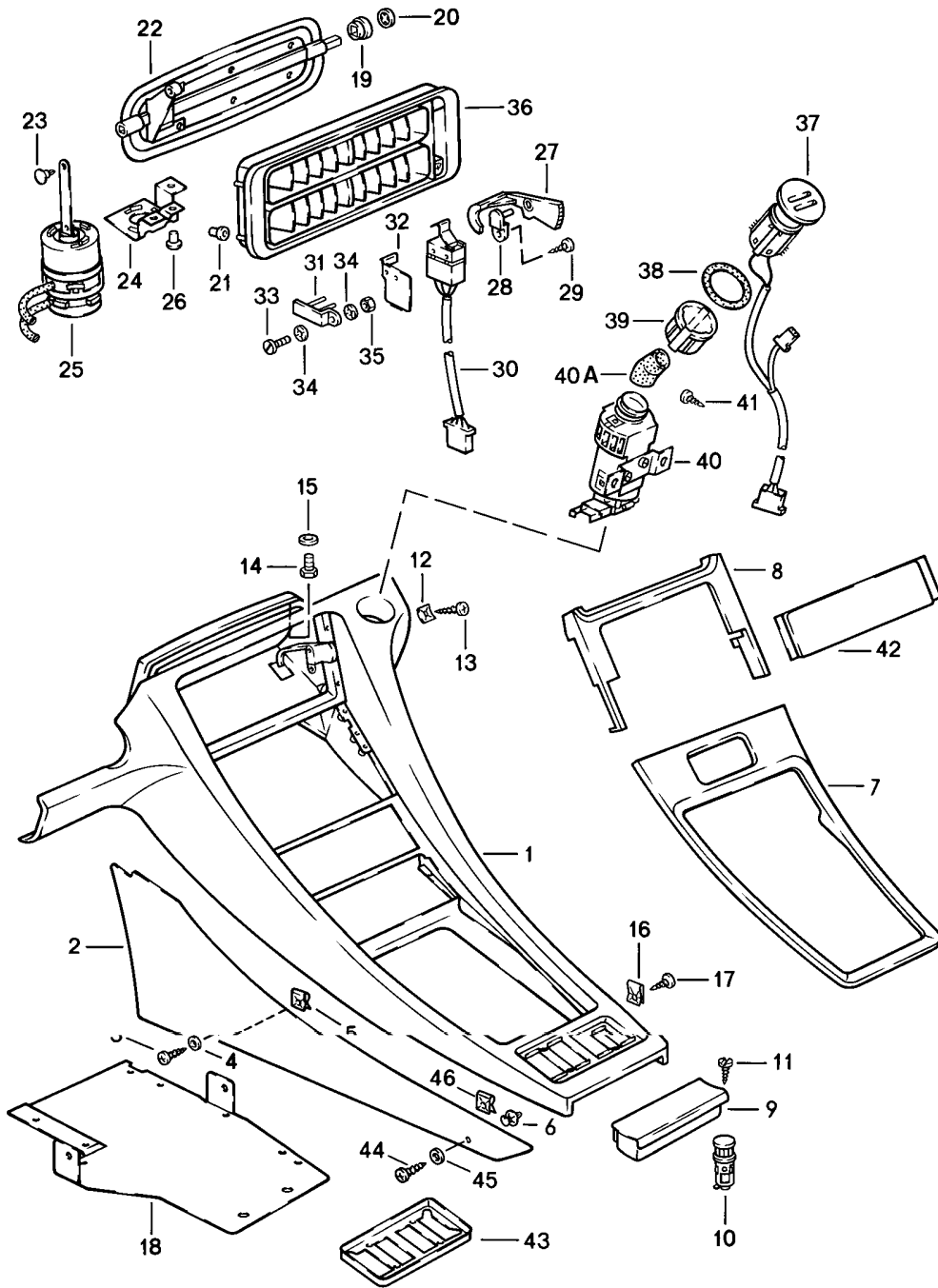
Model: 928 83

Model life 1983>>1986

Pos	Part Number	Description	Remark	Qty	Model
1	928 555 701 53	Cassette box Cassette box Leather	/LL	1	
	928 555 701 53 KZ2	Black			
	928 555 701 53 KZ3	Blue			
	928 555 701 53 KZ5	Brown			
	928 555 701 53 LG7	Burgundy			
	928 555 701 53 LG6	Dark green			
	928 555 701 53 QC2	Greyish green	85-		
	928 555 701 53 PY9	Ocean blue	85-		
	928 555 701 53 PZ1	Wild buffalo	85-		
2	928 555 705 51	Lid Leather	/LL	1	
	928 555 705 51 KZ2	Black			
	928 555 705 51 KZ3	Blue			
	928 555 705 51 KZ5	Brown			
	928 555 705 51 LG7	Burgundy			
	928 555 705 51 LG6	Dark green			
	928 555 705 51 QC2	Greyish green	85-		
	928 555 705 51 PY9	Ocean blue	85-		
	928 555 705 51 PZ1	Wild buffalo	85-		
3	928 555 731 02	Cassette rack		8	
	928 555 731 02 01C	Satin black			
4	928 555 741 02	Partition panel		1	
5	928 555 735 03	Cover		1	
6	928 555 729 03	Container insert	/LL	1	
	928 555 729 03 01C	Satin black			
7	900 143 065 07	Tapping screw B2,9 X 9,5		14	
7	900 073 003 01	Tapping screw B2,9 X 9,5		14	
8	928 555 703 51	Lower part Leather	/LL	1	
	928 555 703 51 KZ2	Black			
	928 555 703 51 KZ3	Blue			
	928 555 703 51 KZ5	Brown			
	928 555 703 51 LG7	Burgundy			
	928 555 703 51 LG6	Dark green			
	928 555 703 51 QC2	Greyish green	85-		
	928 555 703 51 PY9	Ocean blue	85-		
	928 555 703 51 PZ1	Wild buffalo	85-		
9	999 450 001 07	Round head screw B 4,2 X 25		4	

Model: 928 83

Model life 1983>>1986



Model: 928 83 Model life 1983>>1986

Pos	Part Number	Description	Remark	Qty	Model
1	928 552 043 08	Centre console Centre console Leatherette	/LL	1	
	928 552 043 08 CA4	Black			
	928 552 043 08 CC3	Blue			
	928 552 043 08 LA8	Brown			
	928 552 043 08 JQ5	Burgundy			
	928 552 043 08 NY1	Greyish green	85-		
(1)	928 552 045 55	Centre console Leather	/LL	1	
	928 552 045 55 LA1	Black			
	928 552 045 55 LA5	Blue			
	928 552 045 55 LA3	Brown			
	928 552 045 55 LG6	Dark green			
	928 552 045 55 LL6	Burgundy			
	928 552 045 55 NY3	Greyish green	85-		
	928 552 045 55 6GX	Ocean blue	85-		
	928 552 045 55 5NW	Wild buffalo	85-		
2	927 552 073 02	Side section Carpet	/L	1	
	927 552 073 02 70E	Black			
	927 552 073 02 60A	Grey			
	927 552 073 02 40E	Brown			
	927 552 073 02 30B	Blue			
	927 552 073 02 2FL	Grey-beige	-84,86		
	927 552 073 02 80E	Burgundy			
	927 552 073 02 8JK	Greyish green	85-		
	927 552 073 02 80S	Can-can-red			
	927 552 073 02 6JD	Dark green			
	927 552 073 02 1VD	Champagne			
	927 552 073 02 2YN	White	85-		
(2)	928 552 074 02	Side section Carpet	/R	1	
	928 552 074 02 70E	Black			
	928 552 074 02 60A	Grey			
	928 552 074 02 40E	Brown			
	928 552 074 02 30B	Blue			
	928 552 074 02 2FL	Grey-beige	-84,86		
	928 552 074 02 80E	Burgundy			
	928 552 074 02 8JK	Greyish green	85-		
	928 552 074 02 80S	Can-can-red			
	928 552 074 02 6JD	Dark green			
	928 552 074 02 1VD	Champagne			
	928 552 074 02 2YN	White	85-		
3	N 014 098 6	Rais. counters. h. tap. s. 4,8 X 16		4	
4	999 591 437 07	Washer 4,8		4	
5	999 507 002 02	Speed nut		2	
5	999 507 002 0B	Speed nut		2	
6	823 867 299	Clip F >>92FS8 60078		2	
7	928 552 047 07	Cover		1	
(7)	928 552 047 09	Cover for cars with Leather		1	M570
7	928 552 047 08	Cover		1	
(7)	928 552 047 10	Cover for cars with Leatherette	85-	1	M570
8	928 552 362 00	Cover for cars with Leatherette		1	

Model: 928 83 Model life 1983>>1986

Pos	Part Number	Description	Remark	Qty	Model
8	928 552 362 50	Cover for cars with Leather		1	
9	928 552 060 02	Ashtray		1	
10	928 652 103 00	Cigarette lighter		1	
11	900 144 017 07	Tapping screw		2	
12	999 507 030 02	Speed nut 4,8		3	
13	900 187 018 02	Hexagon-head tapping screw 4,8 X 16		1	
14	900 075 145 02	Hexagon-head bolt M 5 X 16		2	
15	900 025 003 02	Washer A 5,3		2	
16	999 507 002 02	Speed nut		2	
16	999 507 002 0B	Speed nut		2	
17	900 143 046 07	Tapping screw B 4,8 X 16		6	
18	928 552 389 02	Mounting plate Cruise control regulator Receiving part		1	
19	928 574 291 02	Bearing sleeve		2	
20	999 591 459 02	Mecano-speed-fix		2	
21	999 702 111 50	Grommet		4	
22	928 573 137 02	Flap F >>92DS8 61951		1	
(22)	928 574 125 02	Flap F 92DS8 61952>>		1	
23	928 574 735 02	Bolt F >>92DS8 61951		1	
24	928 573 315 02	Support F >>92DS8 61951		1	
25	928 573 094 02	Vacuum unit F >>92DS8 61951		1	
26	999 190 215 30	Blind rivet D 4,0 F >>92DS8 61951		3	
27	928 573 649 02	Actuating lever F >>92DS8 61951		1	
(27)	928 574 649 02	Actuating lever F 92DS8 61952>>		1	
	928 574 649 02 70B	Satin black			
28	928 574 645 02	Fastening part		1	
29	900 143 031 02	Oval-head sheetmetal screw B 4,2 X 9,5		1	
30	928 613 049 00	Micro-changeover switch F >>92DS8 61951		1	
(30)	928 613 049 01	Micro-changeover switch F 92DS8 61952>>		1	
31	928 573 747 02	Support F >>92DS8 61951		1	
(31)	928 573 747 04	Support F 92DS8 61952>>		1	
32	928 573 745 02	Support F >>92DS8 61951		1	
33	900 119 024 02	Pan-head screw M 4 X 12		1	
34	N 042 122 2	Shake-proof washer		2	
35	N 011 004 6	Hexagon nut M 4		1	
35	N 011 004 G	Nut M 4		1	
36	928 574 040 03	Covering frame		1	

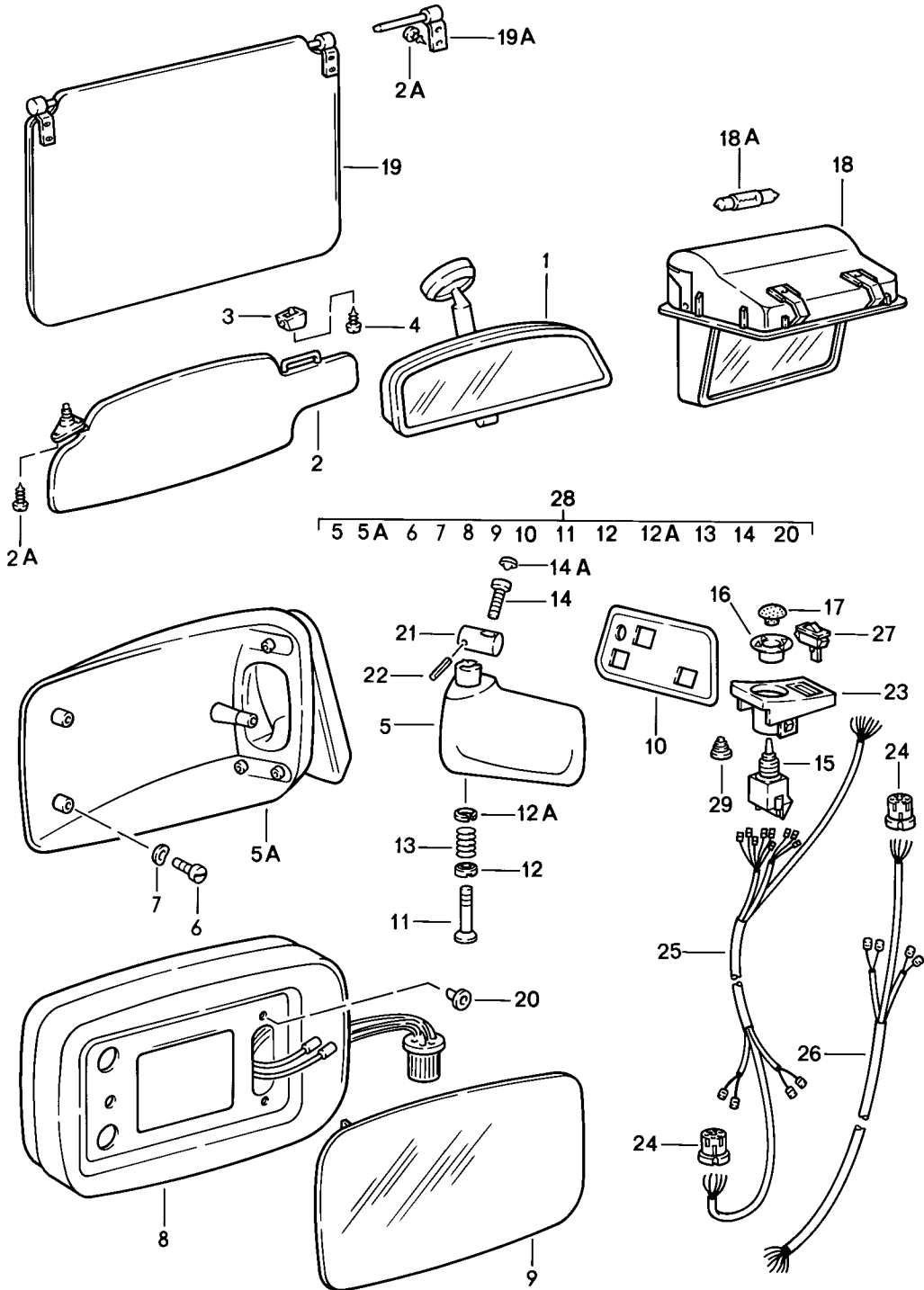
Model: 928 83

Model life 1983>>1986

Pos	Part Number	Description	Remark	Qty	Model
36	928 574 040 50	for cars with Leatherette Covering frame for cars with Leather		1	
37	928 624 041 00	Interior sensor		1	
38	928 573 344 02	Sealing ring		1	
39	928 573 527 02	Connecting piece		1	
40	928 624 113 01	Interior sensor		1	
40A	928 624 312 01	Hose	85-	1	
41	N 013 968 7	Tapping screw B 4,8 X 13	/LL	2	
41	900 143 097 01	Tapping screw B 4,8 X 13		2	
42	928 552 270 05 928 552 270 05 70B	Cover Black Radio Cover		1	
43	928 552 313 50 928 552 313 50 70B	Frame Black for tip switch for cars with Leather		1	
44	N 014 098 6	Rais. counters. h. tap. s. 4,8 X 16 F 92FS8 60079>>		2	
45	999 591 437 07	Washer 4,8 F 92FS8 60079>>		2	
46	999 507 002 02	Speed nut F 92FS8 60079>>		2	
46	999 507 002 0B	Speed nut F 92FS8 60079>>		2	

Model: 928 83

Model life 1983>>1986



Model: 928 83 Model life 1983>>1986

Pos	Part Number	Description	Remark	Qty	Model
		Interior mirror			
		Sun visor			
		Door mirror			
1	477 857 511	Interior mirror		1	
1	477 857 511 A	Interior mirror		1	
	477 857 511 A 01C	Satin black			
1	477 857 511 B	Interior mirror		1	
	477 857 511 B 01C	Satin black			
2	928 731 031 06	Sun visor	/L	1	
		without mirror			
		Leatherette			
	928 731 031 06 CA9	Black			
	928 731 031 06 LA7	Brown			
	928 731 031 06 CC1	Blue			
	928 731 031 06 JQ5	Burgundy			
	928 731 031 06 NY2	Greyish green			
(2)	928 731 032 07	Sun visor	/R	1	
		without mirror			
		Leatherette			
	928 731 032 07 CA9	Black			
	928 731 032 07 LA7	Brown			
	928 731 032 07 CC1	Blue			
	928 731 032 07 JQ5	Burgundy			
	928 731 032 07 NY2	Greyish green			
(2)	927 731 031 04	Sun visor	/L	1	M650
		with mirror			
		Leatherette			
		F >>92GS8 60999			
	927 731 031 04 CA9	Black			
	927 731 031 04 LA7	Brown			
	927 731 031 04 CC1	Blue			
	927 731 031 04 JQ5	Burgundy			
	927 731 031 04 NY2	Greyish green			
(2)	928 731 032 06	Sun visor	85 /R	1	M650
		with mirror			
		Leatherette			
		F >>92GS8 60999			
	928 731 032 06 CA9	Black			
	928 731 032 06 LA7	Brown			
	928 731 032 06 CC1	Blue			
	928 731 032 06 JQ5	Burgundy			
	928 731 032 06 NY2	Greyish green			
2	928 731 031 50	Sun visor	85 /L -85	1	
		without mirror			
		Leather			
	928 731 031 50 LA1	Black			
	928 731 031 50 LA3	Brown			
	928 731 031 50 LA5	Blue			
	928 731 031 50 LL6	Burgundy			
	928 731 031 50 LG6	Dark green			
	928 731 031 50 NY3	Greyish green			
	928 731 031 50 QD2	Ocean blue			
	928 731 031 50 QD3	Wild buffalo			
(2)	928 731 032 50	Sun visor	/R -85	1	
		without mirror			
		Leather			
	928 731 032 50 LA1	Black			
	928 731 032 50 LA3	Brown			
	928 731 032 50 LA5	Blue			
	928 731 032 50 LL6	Burgundy			
	928 731 032 50 LG6	Dark green			
	928 731 032 50 NY3	Greyish green			
	928 731 032 50 QD2	Ocean blue			

Model: 928 83 Model life 1983>>1986

Pos	Part Number	Description	Remark	Qty	Model
(2)	928 731 032 50 QD3	Wild buffalo			
	927 731 031 50	Sun visor with mirror Leather F >>92GS8 60999	/L	1	M650
	927 731 031 50 LA1	Black			
	927 731 031 50 LA3	Brown			
	927 731 031 50 LA5	Blue			
	927 731 031 50 LL6	Burgundy			
	927 731 031 50 LG6	Dark green			
	927 731 031 50 NY3	Greyish green	85		
	927 731 031 50 QD2	Ocean blue	85		
	927 731 031 50 QD3	Wild buffalo	85		
(2)	928 731 032 51	Sun visor with mirror Leather F >>92GS8 60999	/R	1	M650
	928 731 032 51 LA1	Black			
	928 731 032 51 LA3	Brown			
	928 731 032 51 LA5	Blue			
	928 731 032 51 LL6	Burgundy			
	928 731 032 51 LG6	Dark green			
	928 731 032 51 NY3	Greyish green	85		
	928 731 032 51 QD2	Ocean blue	85		
	928 731 032 51 QD3	Wild buffalo	85		
(2)	928 731 031 11	Sun visor with mirror Leatherette F 92GS8 61000>>	/L	1	M650
	928 731 031 11 CA9	Black			
	928 731 031 11 LA7	Brown			
	928 731 031 11 CC1	Blue			
	928 731 031 11 JQ5	Burgundy			
	928 731 031 11 NY2	Greyish green			
(2)	928 731 032 11	Sun visor with mirror Leatherette F 92GS8 61000>>	/R	1	M650
	928 731 032 11 CA9	Black			
	928 731 032 11 LA7	Brown			
	928 731 032 11 CC1	Blue			
	928 731 032 11 JQ5	Burgundy			
	928 731 032 11 NY2	Greyish green			
(2)	928 731 053 52	Sun visor without mirror Leather	/L 86	1	
	928 731 053 52 LA1	Black			
	928 731 053 52 LA3	Brown			
	928 731 053 52 LA5	Blue			
	928 731 053 52 LL6	Burgundy			
	928 731 053 52 LG6	Dark green			
(2)	928 731 054 52	Sun visor without mirror Leather	/R 86	1	
	928 731 054 52 LA1	Black			
	928 731 054 52 LA3	Brown			
	928 731 054 52 LA5	Blue			
	928 731 054 52 LL6	Burgundy			
	928 731 054 52 LG6	Dark green			
(2)	928 731 053 50	Sun visor with mirror Leather F 92GS8 61000>>	/L	1	M650

Model: 928 83 Model life 1983>>1986

Pos	Part Number	Description	Remark	Qty	Model
	928 731 053 50 LA1	Black			
	928 731 053 50 LA3	Brown			
	928 731 053 50 LA5	Blue			
	928 731 053 50 LL6	Burgundy			
	928 731 053 50 LG6	Dark green			
	928 731 053 50 NY3	Greyish green			
	928 731 053 50 QD2	Ocean blue			
	928 731 053 50 QD3	Wild buffalo			
(2)	928 731 054 50	Sun visor with mirror Leather F 92GS8 61000>>	/R	1	M650
	928 731 054 50 LA1	Black			
	928 731 054 50 LA3	Brown			
	928 731 054 50 LA5	Blue			
	928 731 054 50 LL6	Burgundy			
	928 731 054 50 LG6	Dark green			
	928 731 054 50 NY3	Greyish green			
	928 731 054 50 QD2	Ocean blue			
	928 731 054 50 QD3	Wild buffalo			
2A	900 145 016 07	Tapping screw 4,2 X 19		10	
3	911 731 331 00	Support		2	
3		Support		2	M650
4	900 143 034 07	Oval-head sheetmetal screw 3,9 X 19		2	
5	928 731 141 06	Mirror base	/LL /L	1	
(5)	928 731 143 08	Mirror base	/LL /R	1	
5A	911 731 043 03	Mirror housing	/L	1	
(5A)	911 731 044 03	Mirror housing	/R	1	
5AB	944 731 021 01	Mirror housing	/L	1	
	944 731 021 01 G3M	with Mirror base Grey Prime coated			
6	999 143 003 02	Hexagon-head bolt M 5 X 10		3	
7	N 012 222 4	Spring washer A 5		3	
8	911 731 027 06	Covering frame	/L	1	
(8)	911 731 028 06	Covering frame Repair kit for Covering frame Bayonet lock Comprising:	/R	1	
-	PCG 731 028 06	Electronic unit Engine Door mirror	/R /L	1	
-	944 731 027 01	Covering frame Use also:	/R /L	1	
9	944 731 035 02	Mirror glass Plane Bayonet lock	/L	1	
9	944 731 035 06	Mirror glass Convex Bayonet lock	/R	1	
9	911 731 035 08	Mirror glass Plane		1	
(9)	911 731 035 09	Mirror glass Convex	(J)	1	
10	928 731 247 03	Desk pad	/LL /L	1	
(10)	928 731 249 04	Desk pad	/LL /R 85-	1	

Model: 928 83 Model life 1983>>1986

Pos	Part Number	Description	Remark	Qty	Model
(10)	928 731 249 03	Desk pad	/LL /R -84	1	
11	911 731 257 02	Guide tube		1	
11	911 731 257 03	Guide tube		1	
12	911 731 345 02	Centring washer		1	
		Lower			
12A	911 731 347 00	Centring washer		1	
		Upper			
13	911 731 029 01	Compression spring		1	
14	999 218 019 02	Screw		1	
		M 5 X 45			
14	999 218 073 02	Pan-head screw		1	
		M 5 X 45			
14A	999 703 137 40	Cap		1	
15	911 613 115 00	Switch		1	
16	928 555 463 02	Threaded bush		1	
17	928 613 462 00	Knob		1	
18	928 731 013 02	Vanity mirror		1	
18A	900 631 105 90	Bulb		1	
19	928 731 035 02	Sun visor	/H -85	2	
		Leatherette			
	928 731 035 02 70A	Black			
	928 731 035 02 30B	Blue			
	928 731 035 02 4RB	Brown			
	928 731 035 02 3MX	Burgundy			
	928 731 035 02 2KA	Greyish green	85		
19	928 731 035 03	Sun visor	/H	2	
		Leatherette			
	928 731 035 03 70A	Black			
	928 731 035 03 30B	Blue			
	928 731 035 03 4RB	Brown			
	928 731 035 03 3MX	Burgundy			
	928 731 035 03 2KA	Greyish green			
19	928 731 035 50	Sun visor	/H -85	2	
		Leather			
	928 731 035 50 LA1	Black			
	928 731 035 50 LA3	Brown			
	928 731 035 50 LA5	Blue			
	928 731 035 50 LL6	Burgundy			
	928 731 035 50 LG6	Dark green			
	928 731 035 50 NY3	Greyish green	85		
	928 731 035 50 QD2	Ocean blue	85		
	928 731 035 50 QD3	Wild buffalo	85		
19	928 731 035 51	Sun visor	/H 86	2	
		Leather			
	928 731 035 51 LA1	Black			
	928 731 035 51 LA3	Brown			
	928 731 035 51 LA5	Blue			
	928 731 035 51 LL6	Burgundy			
	928 731 035 51 LG6	Dark green			
	928 731 035 51 NY3	Greyish green			
	928 731 035 51 QD2	Ocean blue			
	928 731 035 51 QD3	Wild buffalo			
19A	928 731 043 02	Bearing bracket	/L	1	
19A	928 731 044 02	Bearing bracket	/R	1	
20	999 703 128 40	Grommet		3	
		Mirror glass			
(21)	928 531 235 03	Threaded piece		2	
22	N 013 295 1	Tensioning sleeve		1	
23	928 555 461 02	Mounting piece	/LL	1	
24	803 971 979	Plug socket		1	
		7-pole electrical components			
		Door mirror			

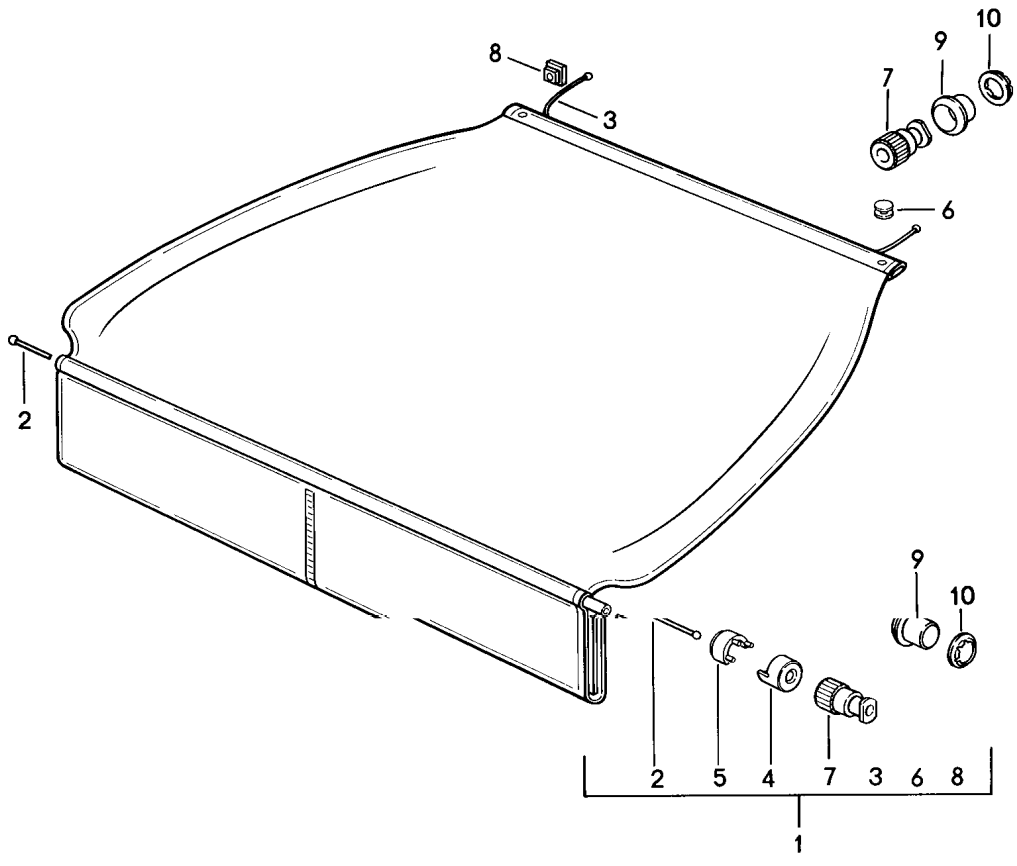
Model: 928 83

Model life 1983>>1986

Pos	Part Number	Description	Remark	Qty	Model
25	928 612 164 02	Passenger's side Wiring harness Door		1	
26	928 612 166 02	Driver's side Wiring harness Door		1	
27	911 613 113 00	Passenger's side Changeover switch		1	
(28)	928 731 927 02	Door mirror Plane	/L	1	
(28)	928 731 928 02	Door mirror Plane	/R	1	
29	928 613 423 00	Protective grommet F 92ES8 60347>>		1	

Model: 928 83

Model life 1983>>1986



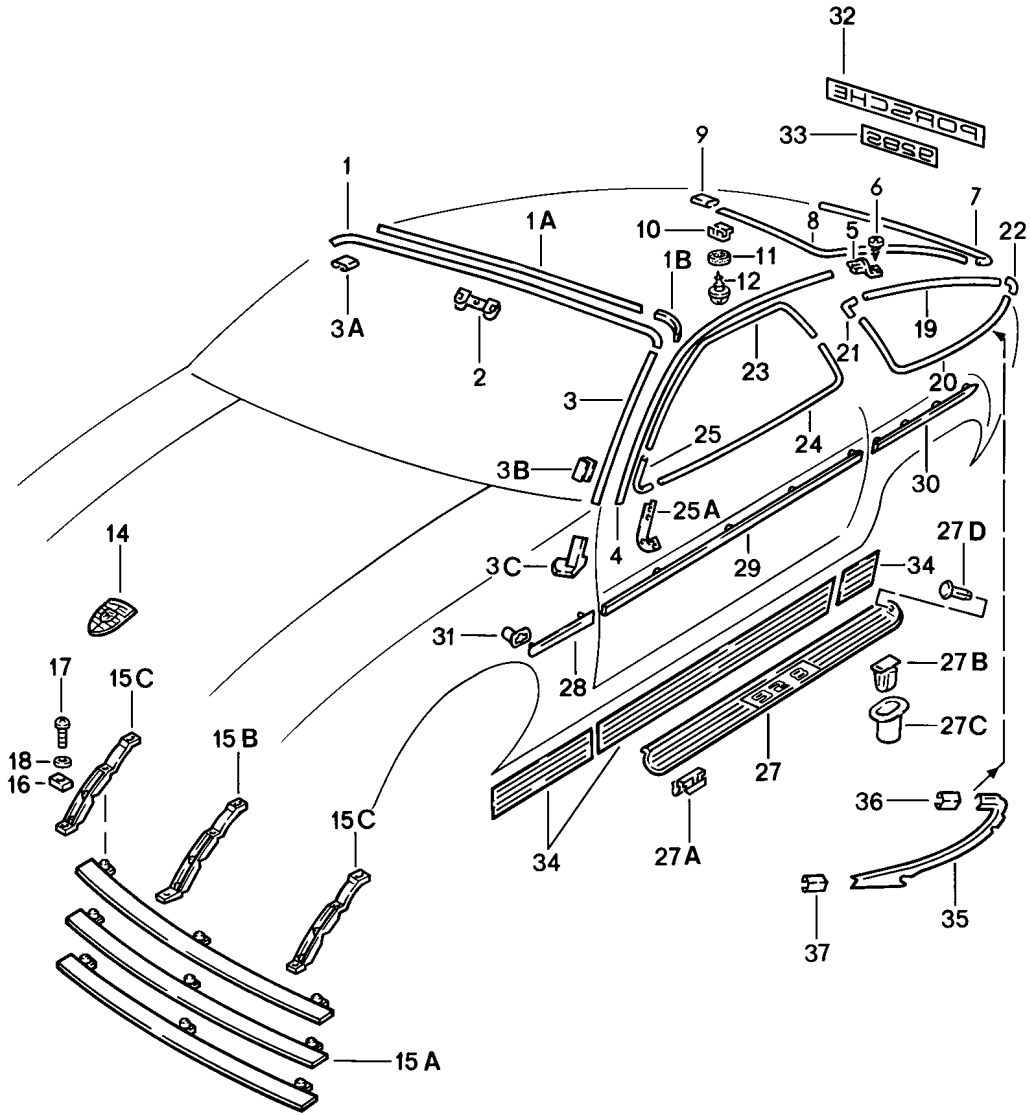
Model: 928 83

Model life 1983>>1986

Pos	Part Number	Description	Remark	Qty	Model
1	928 555 179 02	Luggage compartment cover		1	
	928 555 179 02 70G	Luggage compartment cover Black			
	928 555 179 02 30D	Blue			
	928 555 179 02 40B	Brown			
	928 555 179 02 2LB	Burgundy			
	928 555 179 02 6JG	Greyish green	85		
-	999 701 639 40	Round rubber cord		*	
2		1150 MM		1	
3		740 MM		2	
4	928 555 795 02	End piece of pipe		2	
5	928 555 785 02	Clamp for fabric		2	
6	900 190 005 03	Tubular rivet		2	
		B 4 X 9 X 6			
7	928 555 775 02	Belt end piece		4	
8	928 555 791 02	Rosette		2	
	928 555 791 02 70B	Black			
9	928 555 777 02	End piece of rope		4	
10	999 591 484 02	Clamping washer		4	

Model: 928 83

Model life 1983>>1986



Model: 928 83 Model life 1983>>1986

Pos	Part Number	Description	Remark	Qty	Model
		Cover strip			
		Decorative fittings			
		Logo			
1	928 559 103 04	Cover strip		1	
	928 559 103 04 70K	Black			
1A	928 559 295 02	Adhesive tape		1	
1B	928 559 245 03	Sealing strap		2	
2	928 559 285 02	Clamp		9	
3	928 559 105 05	Water drain strip	/L	1	
	928 559 105 05 70K	Black			
(3)	928 559 106 05	Water drain strip	/R	1	
	928 559 106 05 70K	Black			
(3A)	928 559 213 05	Sleeve	/L	1	
	928 559 213 05 70K	Black			
3A	928 559 214 05	Sleeve	/R	1	
	928 559 214 05 70K	Black			
3B	928 559 107 02	Clamp		9	
3C	928 559 111 02	End piece	/L	1	
(3C)	928 559 112 02	End piece	/R	1	
4	928 559 119 04	Roof edge strip	/L	1	
4		Roof edge strip	/L	1	
	928 559 119 04 004				
4	928 559 120 04	Roof edge strip	/R	1	
4		Roof edge strip	/R	1	
	928 559 120 04 004				
5	928 559 121 03	Roof edge strip	/L	1	
(5)	928 559 122 03	Roof edge strip	/R	1	
		Terminal piece			
6	900 145 044 07	Tapping screw 4,2 X 19		2	
7	928 559 151 04	Cover strip		1	
	928 559 151 04 70K	Black			
		Lower			
8	928 559 153 06	Cover strip	/L	1	M470
	928 559 153 06 70K	Black			
8	928 559 153 05	Cover strip	/L	1	
	928 559 153 05 70K	Black			
		for cars with Spoiler			
8	928 559 154 06	Cover strip	/R	1	M470
	928 559 154 06 70K	Black			
8	928 559 154 05	Cover strip	/R	1	
	928 559 154 05 70K	Black			
		for cars with Spoiler			
9	928 559 155 03	Sleeve		3	
	928 559 155 03 70K	Black			
10	928 559 133 04	Retaining clip		8	
10		Retaining clip		19	M470
11	928 559 143 02	Sealing ring		8	
11	928 559 143 03	Sealing ring		8	
11	928 559 143 02	Sealing ring		19	M470
11	928 559 143 03	Sealing ring		19	M470
12	999 919 030 02	Screw		8	
12		Screw		19	M470
14	901 559 210 20	Lid emblem		1	
14	901 559 210 26	Lid emblem		1	
15A	928 559 135 04	Cross strut		3	
15B	928 559 137 02	Centre web		1	
15C	928 559 139 02	Outer part		2	
16	928 559 141 02	Desk pad		2	
17	999 921 004 02	Oval-head screw M 4 X 15		9	

Model: 928 83 Model life 1983>>1986

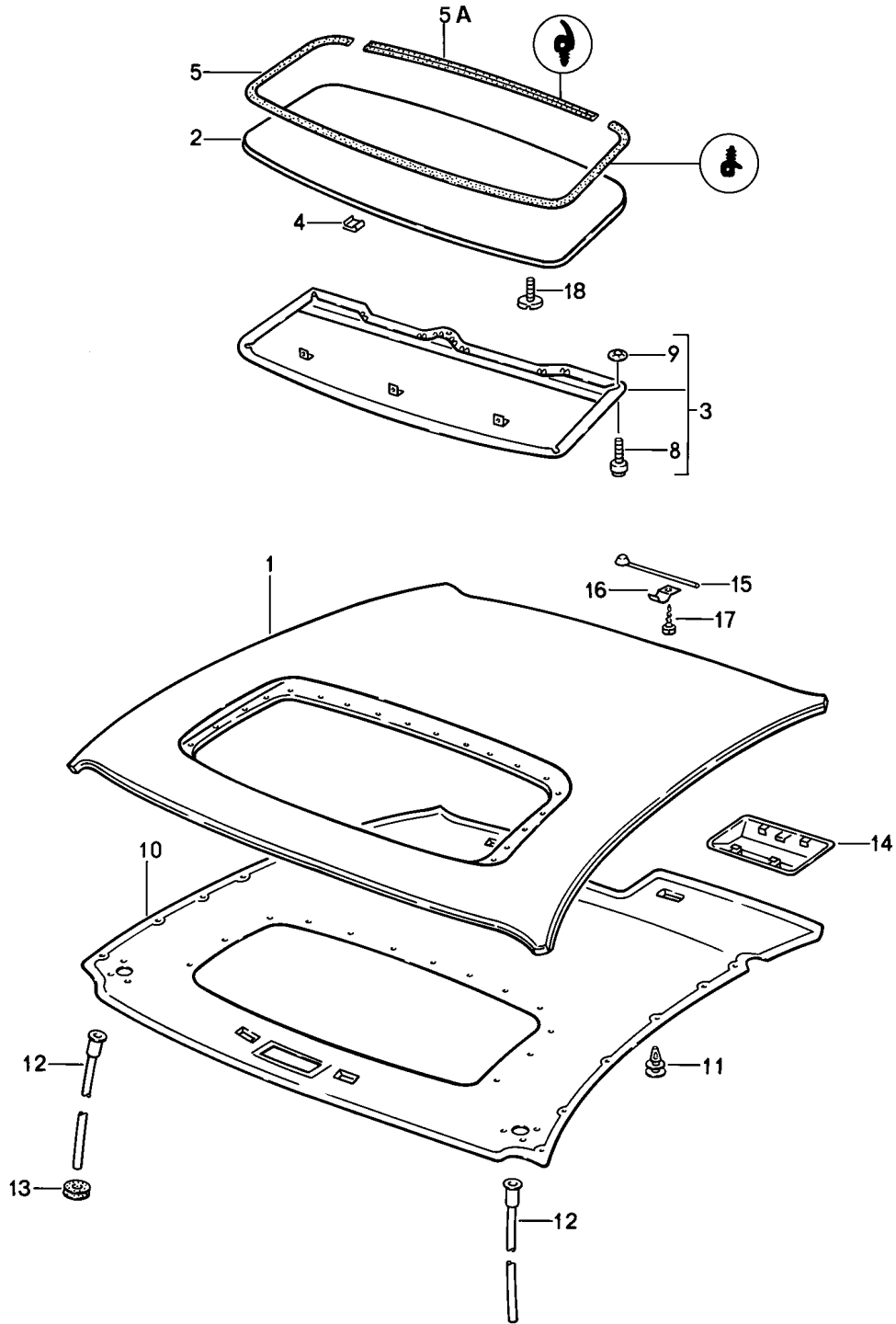
Pos	Part Number	Description	Remark	Qty	Model
17	999 919 018 00	F >>92ES8 61540 Screw KA 35 X 10		9	
18	900 151 028 02	F 92ES8 61541>> Washer B 4,3		9	
18	900 151 028 01	Washer B 4,3		9	
19	928 543 419 08 928 543 419 08 70K	Moulding section Black Upper	/L	1	M470
19	928 543 419 07 928 543 419 07 70K	Moulding section F >>92FS8 61538 Black Rear spoiler	/L	1	
19	928 543 419 09 928 543 419 09 70K	Moulding section F 92FS8 61539>> Black Rear spoiler	/L	1	
(19)	928 543 420 08 928 543 420 08 70K	Moulding section Black	/R	1	M470
(19)	928 543 420 07 928 543 420 07 70K	Moulding section F >>92FS8 61538 Black Rear spoiler	/R	1	
(19)	928 543 420 09 928 543 420 09 70K	Moulding section F 92FS8 61539>> Black Rear spoiler	/R	1	
20	928 543 417 08 928 543 417 08 70K	Moulding section Black Lower	/L	1	M470
20	928 543 417 07 928 543 417 07 70K	Moulding section F >>92FS8 61538 Black Rear spoiler	/L	1	
20	928 543 417 09 928 543 417 09 70K	Moulding section F 92FS8 61539>> Black Rear spoiler	/L	1	
(20)	928 543 418 08 928 543 418 08 70K	Moulding section Black Lower	/R	1	M470
(20)	928 543 418 07 928 543 418 07 70K	Moulding section F >>92FS8 61538 Black Rear spoiler	/R	1	
(20)	928 543 418 09 928 543 418 09 70K	Moulding section F 92FS8 61539>> Black Rear spoiler	/R	1	
21	928 543 413 04 928 543 413 04 70K	Corner piece Black Upper		2	
22	928 543 415 05 928 543 415 05 70K	Corner piece Black Lower		2	
23	928 537 311 04 928 537 311 04 70K	Moulding Black Upper	/L	1	
23	928 537 312 04 928 537 312 04 70K	Moulding Black Upper	/R	1	

Model: 928 83 Model life 1983>>1986

Pos	Part Number	Description	Remark	Qty	Model
24	928 537 313 04	Moulding	/L	1	
	928 537 313 04 70K	Black			
24	928 537 314 04	Moulding	/R	1	
	928 537 314 04 70K	Black			
25	928 537 301 05	Moulding connection	/L	1	
	928 537 301 05 70K	Black			
25	928 537 302 05	Moulding connection	/R	1	
	928 537 302 05 70K	Black			
25A	928 537 369 03	Desk pad	/L	1	
(25A)	928 537 370 03	Desk pad	/R	1	
-	900 143 114 07	Oval-head sheetmetal screw B 3,5 X 9,5		2	
27	928 551 055 02	Scuff plate	/L	1	
(27)	928 551 056 02	Scuff plate	/R	1	
27A	928 551 123 02	Clamp		12	
27B	999 591 451 40	Fastening clamp		12	
27C	999 702 116 40	Grommet		12	
27D	999 591 519 40	Expansion rivet		2	
		Lateral			
		Protective moulding			
28	928 559 037 03	Protective moulding	/V /L	1	
28	928 559 038 03	Protective moulding	/V /R	1	
		Wing			
-	928 559 175 03	Adhesive tape		2	
		Wing			
29	928 559 033 03	Protective moulding	/L	1	
29	928 559 034 03	Protective moulding	/R	1	
		Door			
-	928 559 965 00	Adhesive tape		2	
		Door			
30	928 559 041 03	Protective moulding	/H /L	1	
30	928 559 042 03	Protective moulding	/H /R	1	
		Side section			
-	928 559 181 03	Adhesive tape		2	
		Side section			
31	928 559 281 02	Bush		10	
32	928 505 325 04	Logo		1	
		Dark grey			
32	928 505 325 05	Logo		1	
		Light grey			
33	928 505 335 04	Logo		1	
		Dark grey			
33	928 505 335 05	Logo		1	
		Light grey			
34	928 559 075 02	Stone guard film	/L	1	
34	928 559 076 02	Stone guard film	/R	1	
		1 set			
35	928 543 437 03	Trim frame	/L	1	
	928 543 437 03 70K	Black			
		Rear spoiler			
35	928 543 438 03	Trim frame	/R	1	
	928 543 438 03 70K	Black			
		Rear spoiler			
36	928 543 439 03	Sleeve		2	
	928 543 439 03 70K	Black			
		Rear spoiler			
37	928 543 439 04	Sleeve	/L	1	
	928 543 439 04 70K	Black			
		Rear spoiler			
37	928 543 440 04	Sleeve	/R	1	
	928 543 440 04 70K	Black			
		Rear spoiler			

Model: 928 83

Model life 1983>>1986



Model: 928 83 Model life 1983>>1986

Pos	Part Number	Description	Remark	Qty	Model
1	928 503 027 60	Sunroof		1	
1		Roof		1	
	928 503 027 60 GRV	Prime coated			
2	928 564 033 41	Lid		1	
2		Lid		1	
	928 564 033 41 GRV	Prime coated			
3	928 564 069 40	Roofliner frame		1	
		Leatherette			
	928 564 069 40 70A	Black			
	928 564 069 40 1HH	Blue			
	928 564 069 40 4RB	Brown			
	928 564 069 40 3MX	Burgundy			
	928 564 069 40 2KA	Greyish green	85-		
(3)	928 564 069 50	Roofliner frame		1	
		Leather			
	928 564 069 50 KZ2	Black			
	928 564 069 50 KZ3	Blue			
	928 564 069 50 4RB	Brown			
	928 564 069 50 LG7	Burgundy			
	928 564 069 50 LG6	Dark green			
	928 564 069 50 QC2	Greyish green	85-		
	928 564 069 50 PY9	Ocean blue	85-		
	928 564 069 50 PZ1	Wild buffalo	85-		
4	999 591 898 02	Clamp		18	
4	PCG 591 898 02	Clamp		18	
4		Clamp		18	
5	928 564 259 02	Gasket		1	
5A	928 564 261 02	Gasket		1	
8	928 564 399 40	Sliding piece		3	
9	999 591 377 02	Speed nut		3	
10	928 555 071 62	Rooflining		1	
		Leatherette			
	928 555 071 62 70A	Black			
	928 555 071 62 1HH	Blue			
	928 555 071 62 4RB	Brown			
	928 555 071 62 3MX	Burgundy			
	928 555 071 62 1JL	Greyish green	85-		
(10)	928 555 071 63	Rooflining		1	
		Leather			
	928 555 071 63 KZ2	Black			
	928 555 071 63 KZ3	Blue			
	928 555 071 63 4RB	Brown			
	928 555 071 63 LG7	Burgundy			
	928 555 071 63 LG6	Dark green			
	928 555 071 63 QC2	Greyish green	85-		
	928 555 071 63 PY9	Ocean blue	85-		
	928 555 071 63 PZ1	Wild buffalo	85-		
11	999 591 559 40	Clip		10	
12	928 564 413 02	Water drain hose		2	
13	021 119 569 A	Rubber sleeve		2	
14	928 555 301 60	Cover		1	
		Leatherette			
	928 555 301 60 70A	Black			
	928 555 301 60 1HH	Blue			
	928 555 301 60 4RB	Brown			
	928 555 301 60 3MX	Burgundy			
	928 555 301 60 2KA	Greyish green	85-		
(14)	928 555 301 61	Cover		1	
		Leather			
	928 555 301 61 1AJ	Black			
	928 555 301 61 30B	Blue			
	928 555 301 61 4RB	Brown			

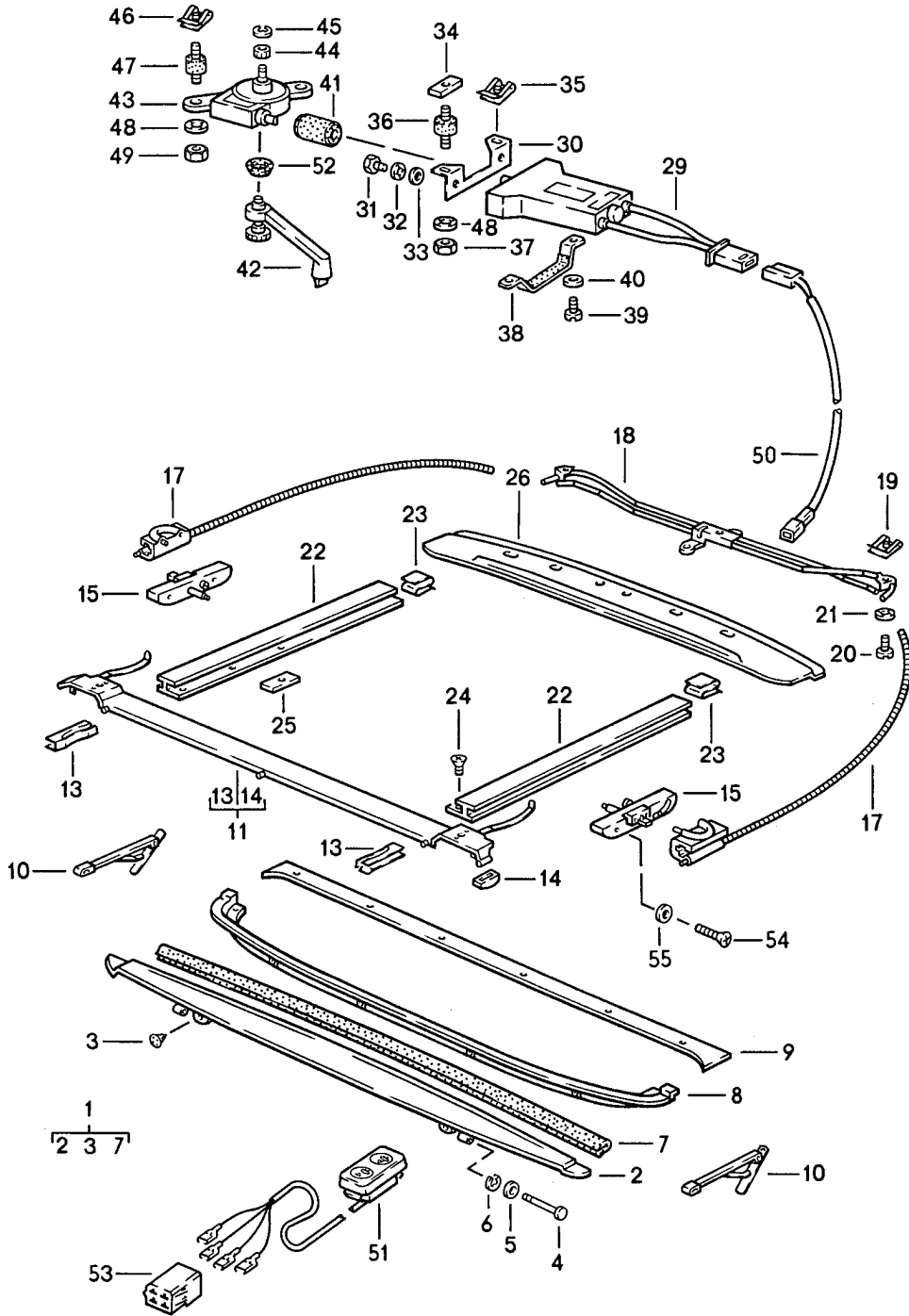
Model: 928 83

Model life 1983>>1986

Pos	Part Number	Description	Remark	Qty	Model
	928 555 301 61 7LD	Burgundy			
	928 555 301 61 6JD	Dark green			
	928 555 301 61 5JX	Greyish green	85-		
	928 555 301 61 6GX	Ocean blue	85-		
	928 555 301 61 5NW	Wild buffalo	85-		
15	928 564 081 02	Wire spring		1	
16	928 564 379 02	Clamping piece		1	
17	N 013 970 5	Oval-head sheetmetal screw B 4,8 X 9,5		1	
17	N 106 568 02	Oval-head sheetmetal screw B 4,8 X 9,5		1	
18	900 072 003 02	Adjusting screw M 5 X 12		2	

Model: 928 83

Model life 1983>>1986



Model: 928 83 Model life 1983>>1986

Pos	Part Number	Description	Remark	Qty	Model
		Sunroof			
		Mounting parts			
1	928 564 013 02	Air deflector		1	
2	928 564 023 02	Wind deflector plate		1	
3	928 564 629 02	Rubber buffer		2	
4	999 088 009 07	Bolt	-85	2	
4		Bolt	86	2	
5	900 089 015 07	Washer		2	
6	900 116 001 07	Lock washer		2	
7	928 564 358 02	Edge protection		1	
8	928 564 341 02	Cover	/V	1	
		F >>92ES8 61623	/V		
8	928 564 341 03	Cover		1	
		F 92ES8 61624>>			
9	928 564 105 02	Cover strip		1	
		F >>92ES8 61623			
9	928 564 105 03	Cover strip		1	
		F 92ES8 61624>>			
10	928 564 057 02	Hinge	/L	1	
10	928 564 058 02	Hinge	/R	1	
11	928 564 061 40	Guide	/V	1	
13	928 564 267 02	Slide		2	
14	928 564 268 03	Guide shoe		2	
15	928 564 045 42	Gate guide	/L	1	
(15)	928 564 046 42	Gate guide	/R	1	
		F >>92ES8 49604	(J)		
		F >>92ES8 61971			
(15)		Gate guide	/R	1	
		F 92ES8 49605>>	(J)		
		F 92ES8 61972>>			
17	928 564 083 43	Guide	/L	1	
		with			
		Shaft			
17	928 564 084 43	Guide	/R	1	
		with			
		Shaft			
18	928 564 209 40	Guide tube		1	
19	999 507 248 02	Speed nut		2	
		M 5			
20	N 014 133 8	Oval-head screw		3	
		M 5 X 12			
20	N 014 133 I	Oval-head screw		3	
		M 5 X 12			
21	N 012 005 3	Lock ring		2	
		B 5			
22	928 564 015 41	Guide rail	/L	1	
		F >>92ES8 61623			
22	928 564 015 42	Guide rail	/L	1	
		F 92ES8 61624>>			
22	928 564 016 41	Guide rail	/R	1	
		F >>92ES8 61623			
22	928 564 016 42	Guide rail		1	
		F 92ES8 61624>>			
23	999 591 448 02	Fixing clip		2	
24	900 269 052 00	Countersunk-head screw		6	
		M 4 X 10			
		F >>92ES8 61623			
24	900 269 052 07	Countersunk-head screw		6	
		M 4 X 10			
		F 92ES8 61624>>			
25	928 502 617 60	Threaded plate		2	
		M 4			
26	928 564 167 41	Water drain plate		1	

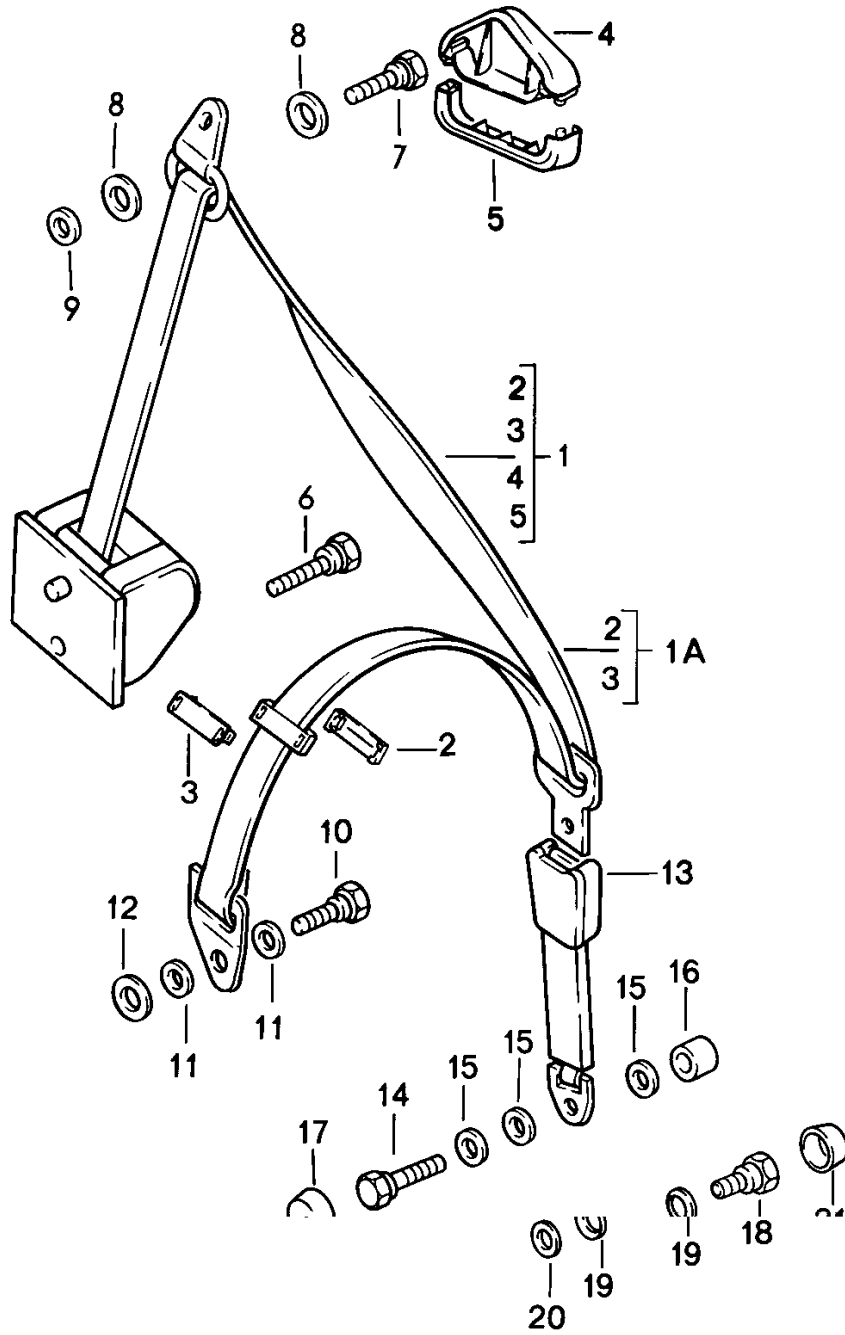
Model: 928 83

Model life 1983>>1986

Pos	Part Number	Description	Remark	Qty	Model
29	928 624 007 00	Motor	-83	1	
(29)	911 624 016 03	Motor	84-	1	
30	928 624 105 00	Engine bracket	-83	1	
(30)	928 624 105 02	Engine bracket	84-	1	
31	N 010 208 5	Hexagon-head bolt M 6 X 8	-83	2	
-	N 011 005 14	Hexagon nut M 5	84-	2	
-	900 076 091 01	Hexagon nut M 5	84-	2	
32	N 012 006 4	Lock ring B 6	-83	2	
32	N 012 005 3	Lock ring B 5	84-	2	
33	N 011 524 7	Washer A 6,4	-83	2	
33	N 011 524 27	Washer A 6,4		2	
33	900 025 003 02	Washer A 5,3	84-	2	
34	928 502 617 61	Threaded plate M 5	-83	1	
35	999 507 248 02	Speed nut M 5		1	
36	999 703 308 00	Bonded rubber mounting		2	
36	999 703 308 0A	Bonded rubber mounting		2	
37	N 011 005 14	Hexagon nut M 5		2	
37	900 076 091 01	Hexagon nut M 5		2	
38	928 624 011 00	Motor mount	-83	1	
(38)	928 624 011 02	Motor mount	84-	1	
39	N 013 883 3	Tapping screw B 4,8 X 9,5		1	
40	900 025 003 02	Washer A 5,3		1	
41	911 624 103 00	Clutch		1	
41	911 624 103 01	Clutch		1	
42	901 564 085 05	Crank		1	
43	928 564 025 02	Transmission		1	
44	928 564 125 02	Drive pinion		1	
45	900 116 003 01	Lock washer		1	
46	999 507 248 02	Speed nut		2	
47	999 703 306 00	Bonded rubber mounting		2	
48	N 012 005 3	Lock ring B 5		2	
49	N 011 005 14	Hexagon nut M 5		2	
49	900 076 091 01	Hexagon nut M 5		2	
50	928 612 006 01	Wiring harness		1	
51	928 613 120 00	Tip switch		1	
52	901 564 663 05	Cap		1	
53	928 612 413 03	Connector housing		1	
54	999 217 008 02	Hexagon-head bolt M 5 X 10		4	
55	900 025 003 02	Washer A 5,3		4	

Model: 928 83

Model life 1983>>1986

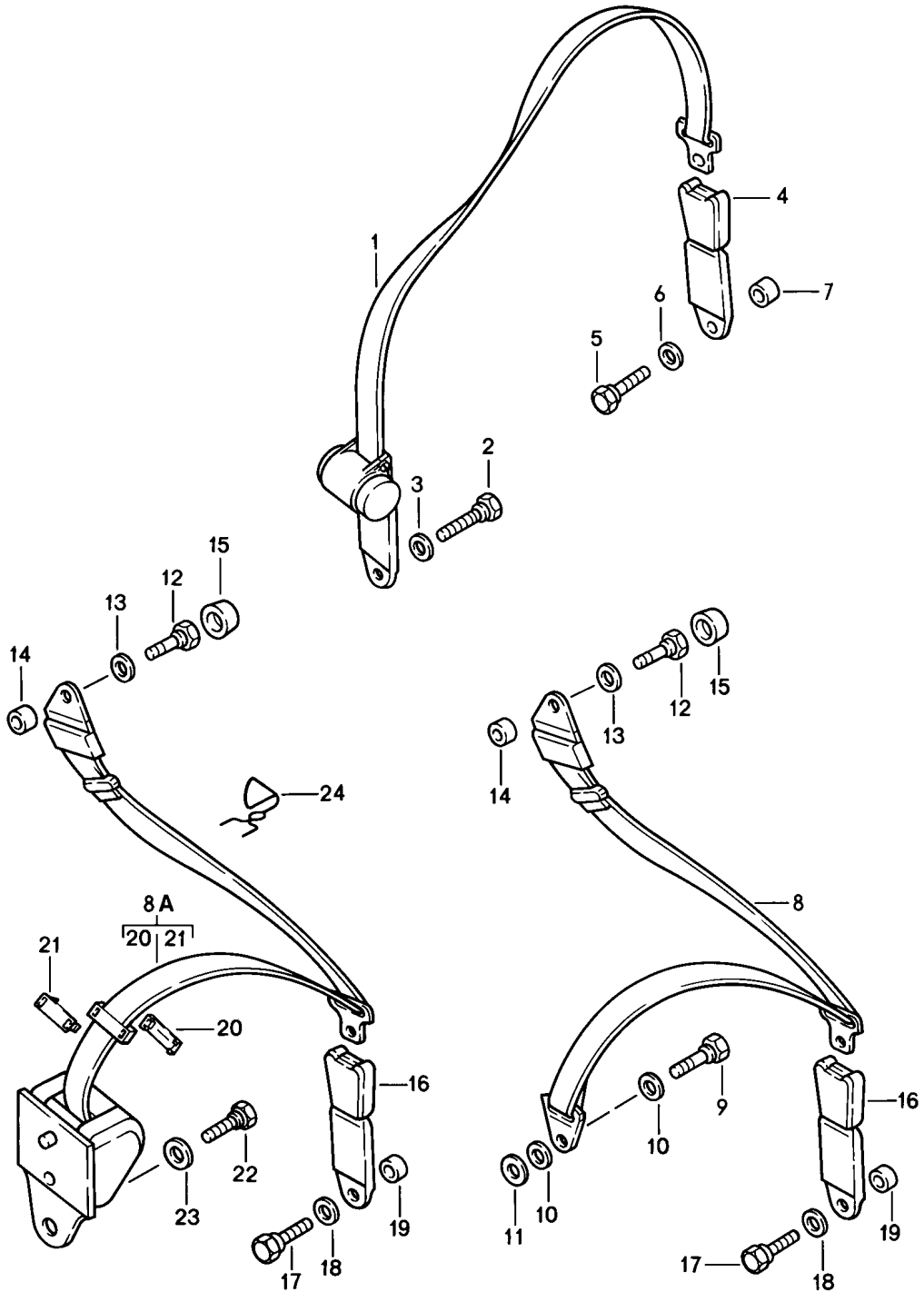


Model: 928 83 Model life 1983>>1986

Pos	Part Number	Description	Remark	Qty	Model
		Seat belt Automatic Front			
(1)	928 803 126 09	Seat belt		2	
1A	928 803 126 10	Seat belt	86	2	
	928 803 126 10 70B	Black			
2	928 803 151 02	Clip Upper part		2	
3	928 803 153 02	Clip Lower part		2	
4	928 803 141 00	Cover	-85	2	
5	928 803 143 00	Upper part Cover Lower part	-85	2	
6	928 803 121 02	Fastening screw		2	
7	111 857 793 E	Hexagon-head bolt		2	
8	928 803 157 02	Washer	-85	4	
9	928 803 212 02	Spacer		2	
10	111 857 793 E	Hexagon-head bolt		2	
11	211 857 771	Washer		4	
12	928 803 212 02	Spacer		2	
(13)	928 803 183 06	Seat-belt buckle	-84	2	
(13)	928 803 183 09	Standard type lock	/LL /L 85	1	
	928 803 183 09 70B	Black			
(13)	928 803 183 08	Standard type lock	/LL /R 85	1	
	928 803 183 08 70B	Black			
(13)	928 803 183 13	Standard type lock	/LL /L 86	1	
	928 803 183 13 70B	Black			
(13)	928 803 183 12	Standard type lock	/LL /R 86	1	
	928 803 183 12 70B	Black			
(13)	928 803 183 10	Seat-belt buckle	/LL /R 85-	1	M387
	928 803 183 10 70B	Black			
(13)	928 803 183 11	Seat-belt buckle	/LL /L 85-	1	M383
	928 803 183 11 70B	Black			
14	111 857 793 E	Hexagon-head bolt for Standard type lock	-84	2	
15	211 857 771	Washer	-84	6	
16	928 803 259 02	Spacer sleeve	-84	2	
17	811 857 845	Cap	-84	2	
18	914 803 468 10	Screw	85-	2	
19	911 803 533 00	Cup spring	85-	4	
20	911 803 531 00	Paper washer	85-	2	
21	811 857 845	Cap	86-	2	

Model: 928 83

Model life 1983>>1986



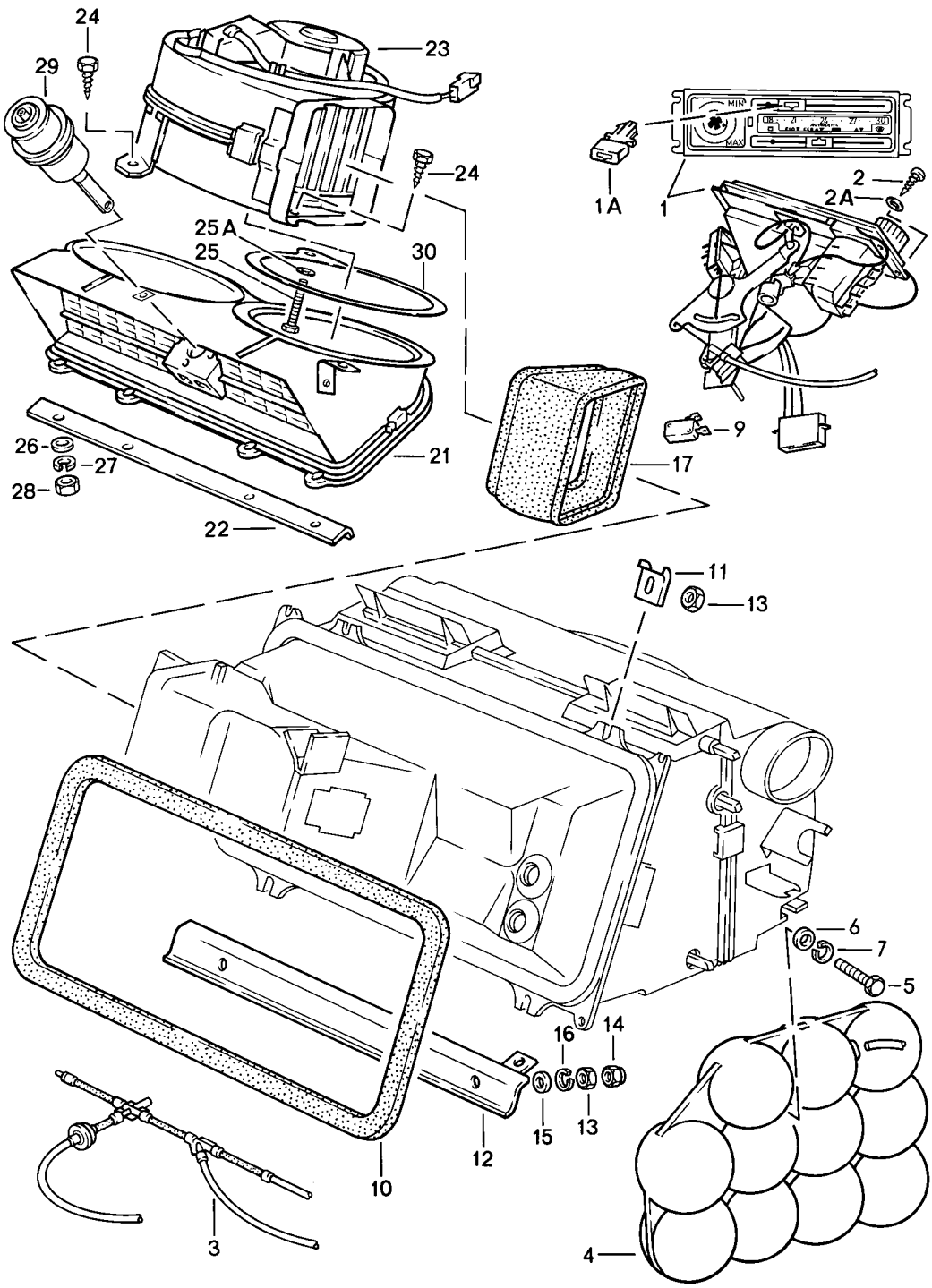
Model: 928 83

Model life 1983>>1986

Pos	Part Number	Description	Remark	Qty	Model
(1)	928 803 015 03	Seat belt Rear Lap belt Automatic		2	
2	111 857 799 A	Hexagon-head bolt		2	
2	3B0 857 799	Hexagon-head bolt		2	
3	N 011 655 2	Washer 11,5		2	
4	928 803 051 02	Lock	-84	2	
(4)	928 803 081 02	Push-button lock	/L	1	M417
(4)	928 803 082 02	Push-button lock	/R	1	M417
5	111 857 793 E	Hexagon-head bolt		2	
6	211 857 771	Washer		4	
7	928 803 259 02	Spacer sleeve		2	
-	928 803 903 03	Lap belt		1	

Model: 928 83

Model life 1983>>1986



Model: 928 83 Model life 1983>>1986

Pos	Part Number	Description	Remark	Qty	Model
1	928 573 060 04	Control switch Blower Fan housing Control switch Automatic air conditioner F >>92DS8 61951		1	
(1)	928 573 060 08	Control switch Automatic air conditioner F 92DS8 61952>>		1	
(1)	928 573 060 05	Control switch Automatic air conditioner F >>92DS8 61951		1	
(1)	928 573 060 09	Control switch Automatic air conditioner F 92DS8 61952>>		1	
1A	928 574 093 02	Control button Blower switch Rotary knob See group 9/03/00 BILD 10+12		2	
2	999 919 008 07	Oval-head screw 4,0 X 13		1	
2	PCG 919 008 07	Oval-head screw Set 4,0 X 13 Pieces		10	
2A	N 011 522 14	Washer A 4,3		4	
3	928 574 710 08	Vacuum line		1	
4	171 820 601	Vacuum tank		1	
5	N 010 221 3	Hexagon-head bolt M 6 X 35		1	
6	N 011 524 7	Washer A 6,4		1	
6	N 011 524 27	Washer A 6,4		1	
7	N 012 006 4	Lock ring B 6,4		1	
9	928 613 049 00	Micro-changeover switch F >>92DS8 61951		1	
(9)	928 613 049 01	Micro-changeover switch F 92DS8 61952>>		1	
10	928 574 387 02	Gasket Heater		1	
11	928 574 581 02	Clip		2	
12	928 556 301 02	Reinforcement bracket		1	
13	900 076 010 02	Nut M 6		6	
13	900 076 010 0B	Nut M 6		6	
14	900 070 002 02	Cap nut M 6		2	
15	N 011 524 7	Washer A 6,4		4	
15	N 011 524 27	Washer A 6,4		4	
16	N 012 006 4	Lock ring B 6		6	
17	928 574 389 04	Rubber connecting piece		1	
21	928 573 031 05	Suction housing	/LL	1	
22	928 556 303 02	Reinforcement bracket		1	
23	928 574 033 05	Blower	/LL	1	
24	900 187 104 02	Tapping screw		2	

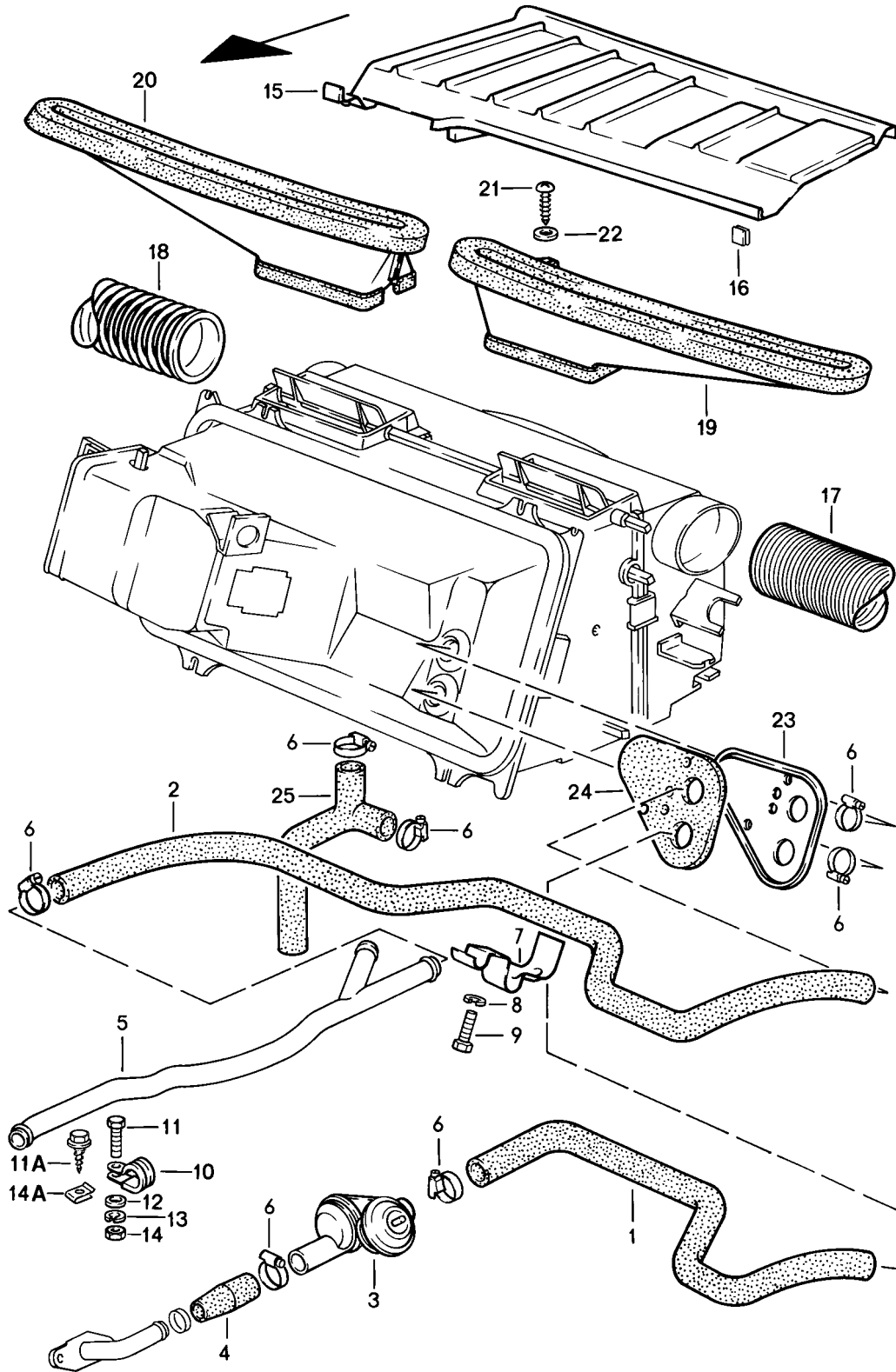
Model: 928 83

Model life 1983>>1986

Pos	Part Number	Description	Remark	Qty	Model
25	900 187 033 02	B 4,8 X 13 Tapping screw		1	
25A	900 151 002 07	B 4,8 X 50 Washer		1	
26	N 011 524 7	A 5,3 Washer		4	
26	N 011 524 27	A 6,4 Washer		4	
27	N 012 006 4	A 6,4 Lock ring		4	
28	900 076 010 02	B 6 Nut		4	
28	900 076 010 0B	M 6 Nut		4	
29	928 573 077 04	M 6 Vacuum unit		1	
-	999 915 270 40	Suction housing Gasket		*	
30	928 574 133 02	6 X 15 (BOSTIK) Gasket		1	

Model: 928 83

Model life 1983>>1986



Model: 928 83 Model life 1983>>1986

Pos	Part Number	Description	Remark	Qty	Model
1	928 574 587 03	Heater hose Air guide		1	
(2)	928 574 589 04	Heater hose Return line	/LL	1	
3	928 574 573 03	Disc valve		1	
3	928 574 573 04	Disc valve		1	
-	986 307 507 00	Use also: Cap		1	
4	928 574 567 02	Connecting hose	-84	1	
(4)	928 574 567 03	Connecting hose	85-	1	
5	928 574 106 03	Heater pipeline	/LL	1	
6	999 512 346 00	Hose clamp		6	
7	928 574 605 02	Hose holder	/LL -83	1	
8	N 012 006 4	Lock ring B 6	-83	1	
9	900 075 057 02	Hexagon-head bolt M 6 X 16	-83	1	
9	900 075 057 03	Hexagon-head bolt M 6 X 16		1	
10	999 511 066 02	Clamp		1	
11	900 075 057 02	Hexagon-head bolt M 6 X 16	-83	1	
11	900 075 057 03	Hexagon-head bolt M 6 X 16		1	
11A	900 187 108 02	Tapping screw BZ 6,3 X 16	84-	1	
11A	900 187 108 01	Tapping screw BZ 6,3 X 16	84-	1	
12	N 011 524 7	Washer A 6,4	-83	1	
12	N 011 524 27	Washer A 6,4		1	
13	N 012 006 4	Lock ring B 6	-83	1	
14	900 076 010 02	Nut M 6	-83	1	
14	900 076 010 0B	Nut M 6	-83	1	
14A	999 507 003 02	Speed nut B 6,3 X 16	84-	1	
14A	999 507 003 01	Speed nut B 6,3 X 16	84-	1	
15	928 574 553 04	Cowl panel covering	/LL	1	
16	999 920 005 02	U-clamp		4	
16	999 920 005 01	U-clamp		4	
17	928 574 626 02	Flexible pipe		1	
18	928 574 625 02	Flexible pipe		1	
19	928 574 631 02	Defroster vent	/L	1	
20	928 574 632 02	Defroster vent	/R	1	
21	900 143 031 02	Oval-head sheetmetal screw B 4,2 X 9,5		4	
22	900 025 002 02	Washer A 4,3		4	
22	900 025 002 03	Washer A 4,3		4	
23	928 573 065 02	Seal F >>92GS8 60999	/LL	1	
(23)	928 573 065 03	Lid F 92GS8 61001>>	/LL	1	
24	928 573 551 02	Cover plate F >>92GS8 60999		1	

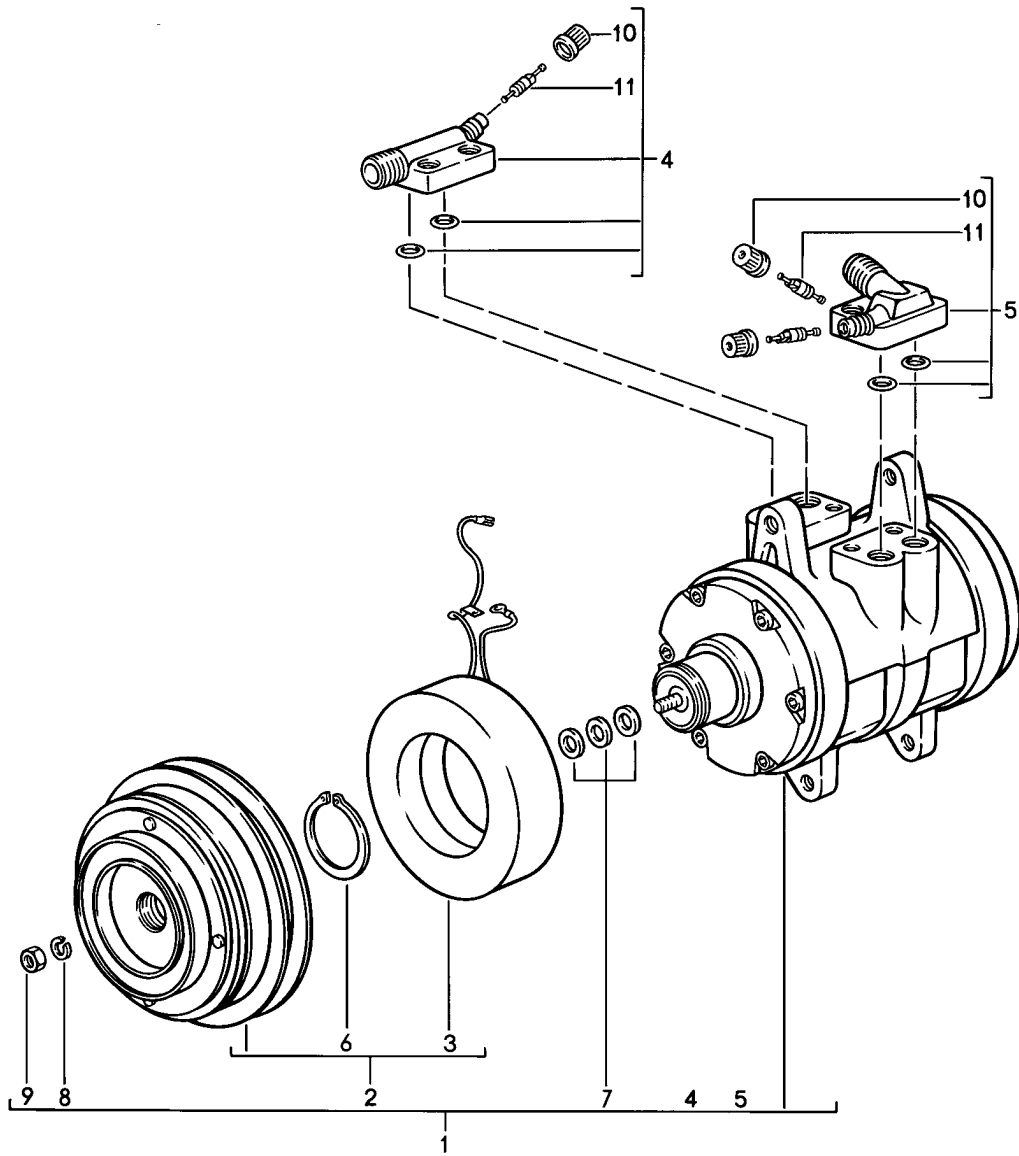
Model: 928 83

Model life 1983>>1986

Pos	Part Number	Description	Remark	Qty	Model
(24)	928 573 551 03	Plate F 92GS8 61001>>	/LL	1	
25	928 574 583 04	Water drain hose		1	

Model: 928 83

Model life 1983>>1986



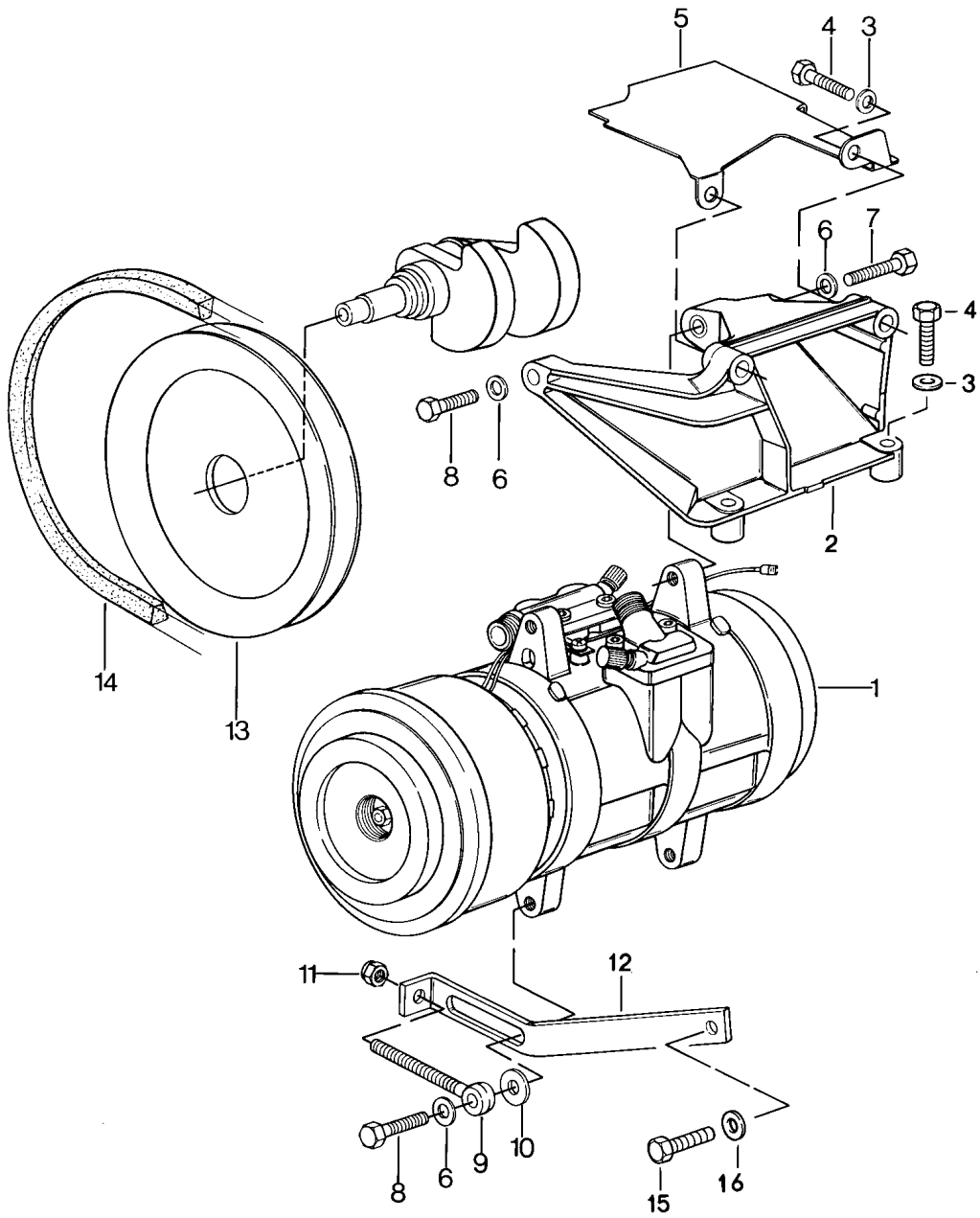
Model: 928 83

Model life 1983>>1986

Pos	Part Number	Description	Remark	Qty	Model
1	928 126 010 06	Compressor		1	
2	928 126 901 00	Clutch		1	
3	928 126 925 00	Solenoid coil		1	
4	928 126 904 00	Pressure valve		1	
5	928 126 903 00	Suction valve		1	
6	477 298 843	Circlip		1	
7	477 298 829	Spacer		X	
		0,1 MM			
(7)	477 298 829 A	Spacer		X	
		0,2 MM			
(7)	477 298 829 B	Spacer		X	
		0,5 MM			
(7)	477 298 829 C	Spacer		X	
		0,8 MM			
(7)	477 298 829 B	Spacer		X	
		1,0 MM			
8	900 027 015 02	Lock ring		1	
		B8			
8	900 027 015 03	Lock ring		1	
		B8			
9	N 011 008 8	Hexagon nut		1	
		M8			
10	928 573 909 02	Cap		2	
11	928 573 908 03	Valve insert		2	

Model: 928 83

Model life 1983>>1986



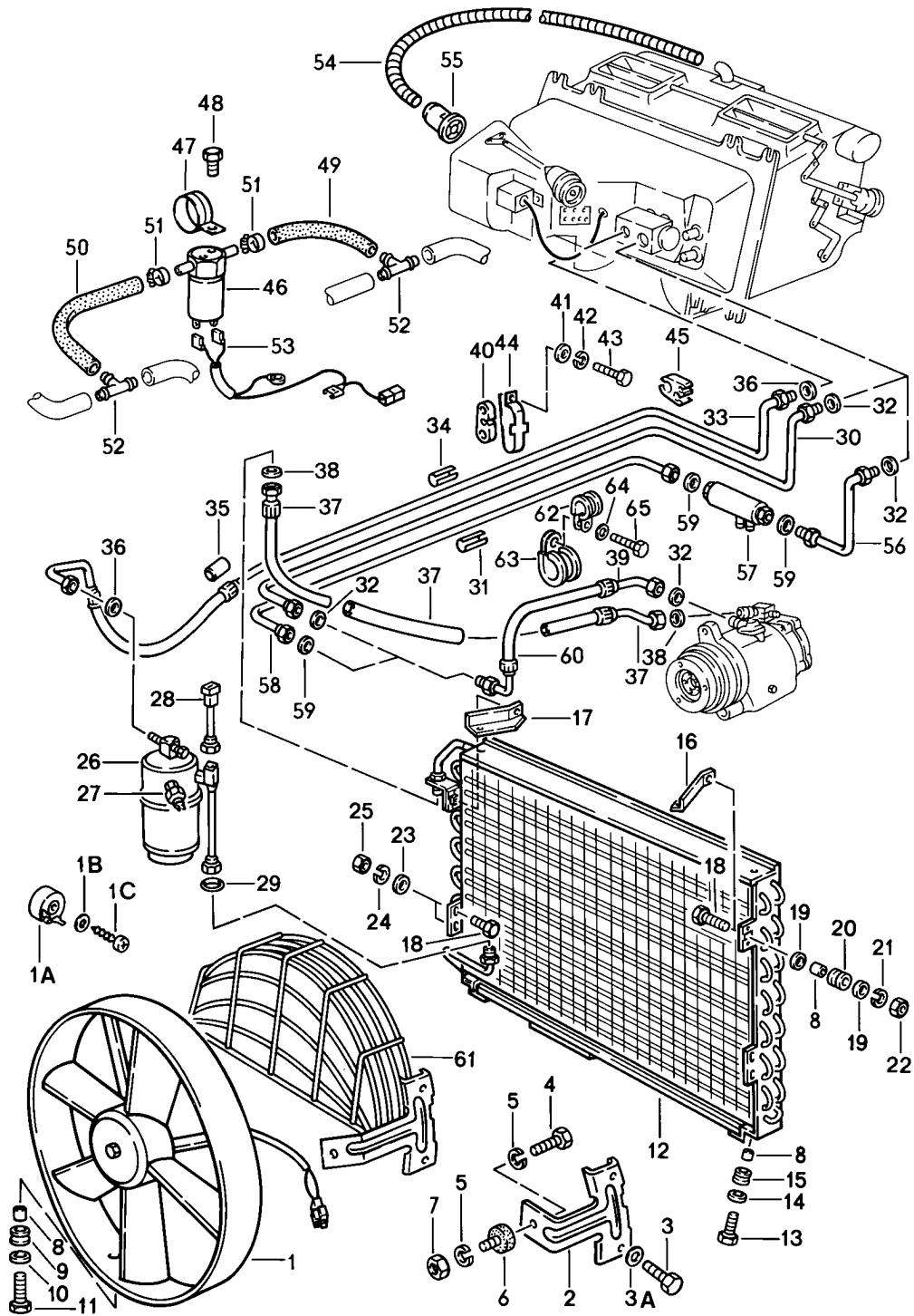
Model: 928 83

Model life 1983>>1986

Pos	Part Number	Description	Remark	Qty	Model
		Compressor Assembly			
1	928 126 010 06	Compressor		1	
2	928 126 017 02	Compressor console	-85	1	
2	928 126 017 04	Compressor console	86	1	
3	900 025 007 02	Washer A 8,4		4	
3	900 025 007 03	Washer A 8,4		4	
4	N 010 340 6	Hexagon-head bolt M 8 X 40		4	
5	928 126 116 02	Heat shield		1	
6	900 025 008 09	Washer A 10,5		3	
6	900 025 008 04	Washer A 10,5		3	
7	900 083 059 02	Hexagon-head bolt M 10 X 45		1	
8	900 083 057 02	Hexagon-head bolt M 10 X 33		2	
9	999 460 003 02	Eye screw		1	
10	928 101 303 00	Washer		1	
11	900 084 004 03	Hexagon nut M 8		1	
11	900 084 004 02	Hexagon nut M 8		1	
12	928 126 123 03	Strut		1	
13	928 102 118 03	V-belt pulley		1	
14	999 192 305 50	Narrow v-belt 12,5 X 1125		1	
15	N 010 233 6	Hexagon-head bolt M 8 X 28		1	
15	900 075 136 03	Hexagon-head bolt M 8 X 28		1	
16	900 025 007 02	Washer A 8,4		1	
16	900 025 007 03	Washer A 8,4		1	

Model: 928 83

Model life 1983>>1986



Model: 928 83

Model life 1983>>1986

Pos	Part Number	Description	Remark	Qty	Model
		Refrigerant circuit			
1	928 624 103 01	Blower		1	
1A	944 616 521 00	Series resistor	85-	1	
1A	944 616 521 01	Series resistor	85-	1	
1B	900 025 002 02	Washer A 4,3	85-	1	
1B	900 025 002 03	Washer A 4,3	85-	1	
1C	900 143 047 07	Tapping screw B 4,2 X 19	85-	1	
1C	900 073 007 01	Tapping screw B 4,2 X 19	85-	1	
2	928 573 345 02	Support	-84	2	
3	999 217 023 02	Hexagon-head bolt M 5 X 12		2	
3A	N 012 005 3	Lock ring A 5		2	
4	999 217 021 02	Hexagon-head bolt M 6 X 8		2	
5	N 012 006 4	Lock ring B 6		4	
6	999 703 310 00	Rubber buffer		2	
7	900 076 010 02	Nut M 6		2	
7	900 076 010 0B	Nut M 6		2	
8	928 573 347 02	Spacer tube		5	
9	999 702 125 50	Rubber sleeve		1	
10	900 151 002 07	Washer A 5,3		1	
11	999 217 024 02	Hexagon-head bolt M 5 X 16		1	
12	928 573 143 03	Condenser		1	
13	999 217 025 02	Hexagon-head bolt M 6 X 20		2	
14	900 151 003 02	Washer A 6,4		2	
14	900 151 006 03	Washer A 6,4		2	
15	999 702 046 50	Grommet		2	
16	928 573 089 02	Retaining bracket		1	
17	928 573 090 02	Retaining bracket		1	
18	999 217 022 02	Hexagon-head bolt M 6 X 16		4	
19	N 011 524 7	Washer A 6,4		6	
19	N 011 524 27	Washer A 6,4		6	
20	999 702 046 50	Grommet		4	
21	N 012 006 4	Lock ring A 6		4	
22	900 076 010 02	Nut M 6		4	
22	900 076 010 0B	Nut M 6		4	
23	N 011 524 7	Washer A 6,4		6	
23	N 011 524 27	Washer A 6,4		6	
24	N 012 006 4	Lock ring B 6		2	
25	900 076 010 02	Nut M 6		2	

Model: 928 83

Model life 1983>>1986

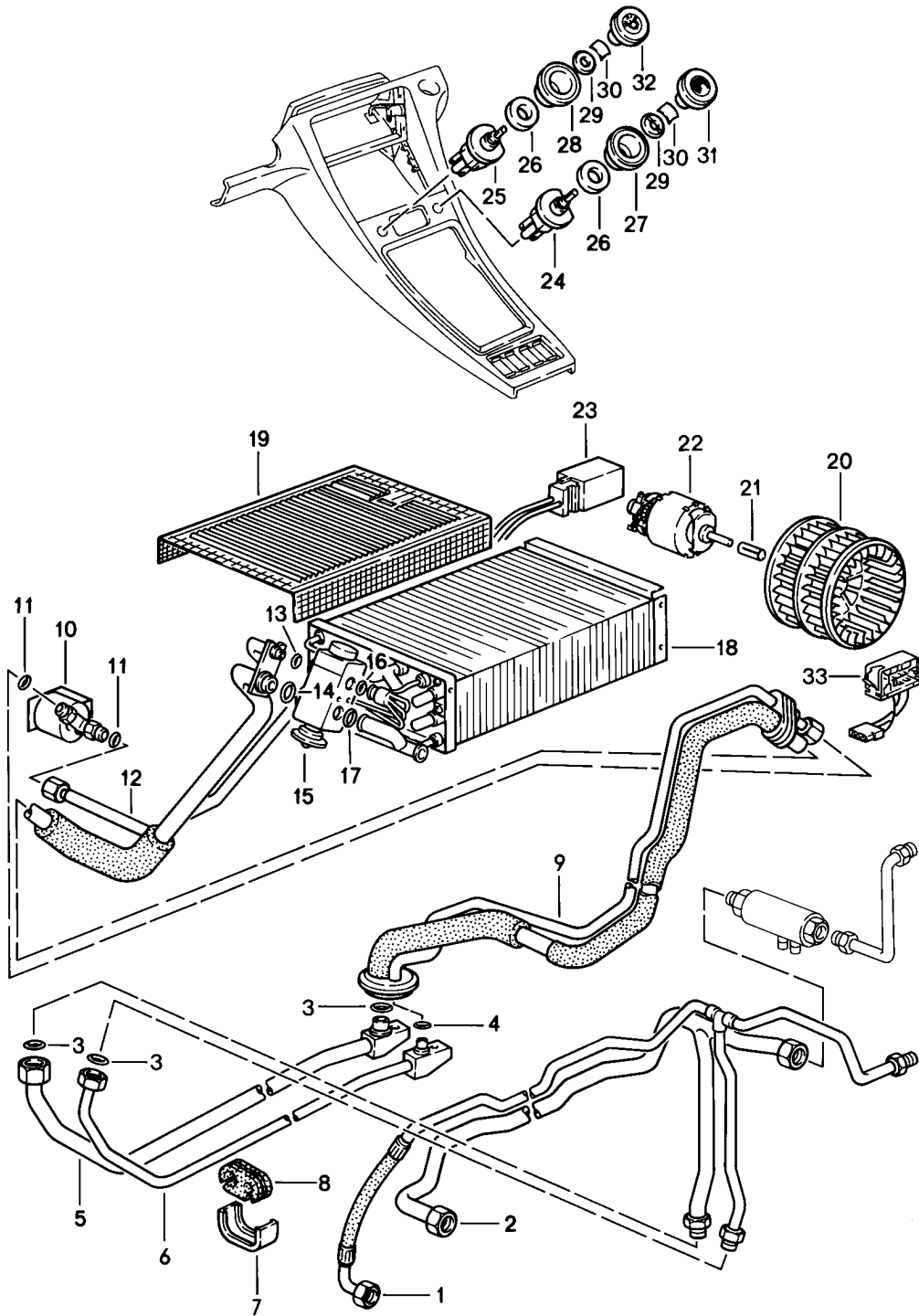
Pos	Part Number	Description	Remark	Qty	Model
25	900 076 010 0B	Nut M 6		2	
26	928 573 941 03	Desiccator		1	
26		Desiccator		1	
27	959 613 137 00	Low pressure switch		1	
-	900 174 011 40	O-ring 8 X 28		1	
		Low pressure switch			
28	928 613 131 01	Thermostat		1	
29	999 701 619 40	O-ring		1	
30	928 573 091 03	Intake pipe NW 13	/LL -83	1	
31	928 573 573 02	Intake pipe NW 13	-83	2	
32	999 707 251 40	O-ring 14,0 X 1,8		1	
33	928 573 093 03	Pressure line NW 8	/LL -83	1	
(33)	928 573 093 05	Pressure line NW 8	/LL 84-	1	
(33)	928 099 573 13	F >>92FS8 60083 Pressure line NW 8	/LL	1	
(33)	928 573 093 06	F 92FS8 60084>> F >>92GS8 60999 Pressure line NW 8	/LL	1	
34	928 573 571 02	F 92GS8 61001>> Pressure line NW 8		1	
35	928 573 615 02	Hose D = 20		1	
36	999 707 247 40	O-ring 7,5 X 1,8		2	
37	928 573 097 07	Hose line NW 10		1	
38	999 707 250 40	O-ring 10,6 X 1,8		2	
38	999 707 434 41	O-ring 10,6 X 1,8		2	
39	928 573 098 03	Hose line NW 13	-83	1	
40	928 573 645 03	Spacer rubber F >>92GS8 60999	/LL	1	
41	N 011 524 7	Washer A 6,4		2	
41	N 011 524 27	Washer A 6,4		2	
42	N 012 006 4	Lock ring B 6		1	
43	900 075 162 02	F >>92GS8 60999 Hexagon-head bolt M 6 X 16		1	
43	N 010 287 1	F >>92GS8 60999 Hexagon-head bolt M 6 X 16		1	
43	900 075 057 02	F >>92GS8 60999 Hexagon-head bolt M 6 X 16		1	
44	928 574 603 04	F >>92GS8 60999 Pipe clamp	-83	1	
44		Pipe clamp F >>92GS8 60999	84-	1	

Model: 928 83 Model life 1983>>1986

Pos	Part Number	Description	Remark	Qty	Model
45	928 573 575 02 -	Clamping piece Position 46-53 Together with L-jetronic See group 1/07/25		1	
54	928 573 357 02	Hose 850 MM		1	
55	928 573 355 02	Intake socket with Fuel cooler		1	
56	928 099 573 00	Intake pipe	-83	1	
(56)	928 573 092 02	Intake pipe NW 13 F >>92GS8 60999	/LL 84-	1	
(56)	928 573 092 03	Intake pipe NW 13 F 92GS8 61001>>	/LL	1	
(57)	928 099 573 01	Fuel cooler	-83	1	
57	928 573 063 03	Fuel cooler for Fuel hose Return line 92835608103	84-	1	
58	928 573 091 05	Intake pipe	-83	1	
(58)	928 573 091 06	Intake pipe NW 16 F >>92GS8 60999	84-	1	
(58)	928 573 091 07	Intake pipe NW 16 F 92GS8 61001>>		1	
59	999 707 252 40	O-ring		3	
60	928 573 098 04	Hose line It is necessary to rework without Spacer rubber		1	
61	928 624 345 00	Protective grille for Blower	85-	1	
62	999 511 116 02	Clamp F 92GS8 61001>>		1	
62	999 511 116 03	Clamp F 92GS8 61001>>		1	
63	999 511 066 02	Clamp F 92GS8 61001>>		1	
64	N 012 006 4	Lock ring B 6 F 92GS8 61001>>		1	
65	900 075 014 02	Hexagon-head bolt M 6 X 18 F 92GS8 61001>>		1	
65	900 075 014 03	Hexagon-head bolt M 6 X 18 F 92GS8 61001>>		1	

Model: 928 83

Model life 1983>>1986



Model: 928 83 Model life 1983>>1986

Pos	Part Number	Description	Remark	Qty	Model
		Lines	85-		
1	928 570 093 01	Auxiliary air conditioner			M570
		Pressure line	/LL	1	
		NW 8			
(1)	928 099 573 15	F >>92FS8 60083			
		Pressure line	/LL	1	
		NW 8			
		F 92FS8 60084>>			
(1)	928 570 093 02	F >>92GS8 60999			
		Pressure line	/LL	1	
		NW 8			
		F 92GS8 61001>>			
2	928 570 091 01	Intake pipe		1	
		NW 16			
		F >>92GS8 60999			
2		Intake pipe		1	
		NW 16			
		F 92GS8 61001>>			
3	999 707 251 40	O-ring		3	
4	999 707 247 40	O-ring		1	
5	928 570 101 00	Refrigerant line		1	
		NW 13			
6	928 570 103 00	Refrigerant line		1	
		NW 8			
7	928 570 453 00	Support		2	
8	928 570 455 00	Rubber mounting		2	
9	928 570 105 00	Line harness	-85	1	
(9)	928 570 105 01	Refrigerant line	86	1	
10	928 615 201 01	Solenoid valve		1	
11	999 707 284 40	O-ring		2	
12	928 570 109 00	Refrigerant line	-85	1	
(12)	928 570 109 03	Refrigerant line	86	1	
13	999 707 247 40	O-ring		1	
14	999 707 251 40	O-ring		1	
15	928 573 123 05	Expansion valve		1	
16	999 707 250 40	O-ring		1	
16	999 707 434 41	O-ring		1	
17	999 707 251 40	O-ring		1	
18	928 570 211 00	Evaporator		1	
19	928 570 291 00	Protective grille		1	
20	928 570 212 00	Impeller		1	
21	928 570 295 00	Bush		1	
22	928 624 117 00	Blower motor		1	
23	928 618 041 00	Control unit		1	
-	928 612 222 00	Wiring harness	85	1	
		Control unit			
-	928 612 222 01	Wiring harness	86	1	
		Control unit			
-	928 612 221 00	Wiring harness	85	1	
		Connection point			
		Centre console			
-	928 612 221 01	Wiring harness	86	1	
		Connection point			
		Centre console			
24	928 613 153 00	Potentiometer		1	
25	911 613 243 00	Blower switch		1	
26	928 613 171 00	Spacer		2	
27	928 613 178 00	Rosette	/R	1	
		for			
		Leatherette			
(27)	928 613 178 01	Rosette	/R	1	
		for			
		Leather			

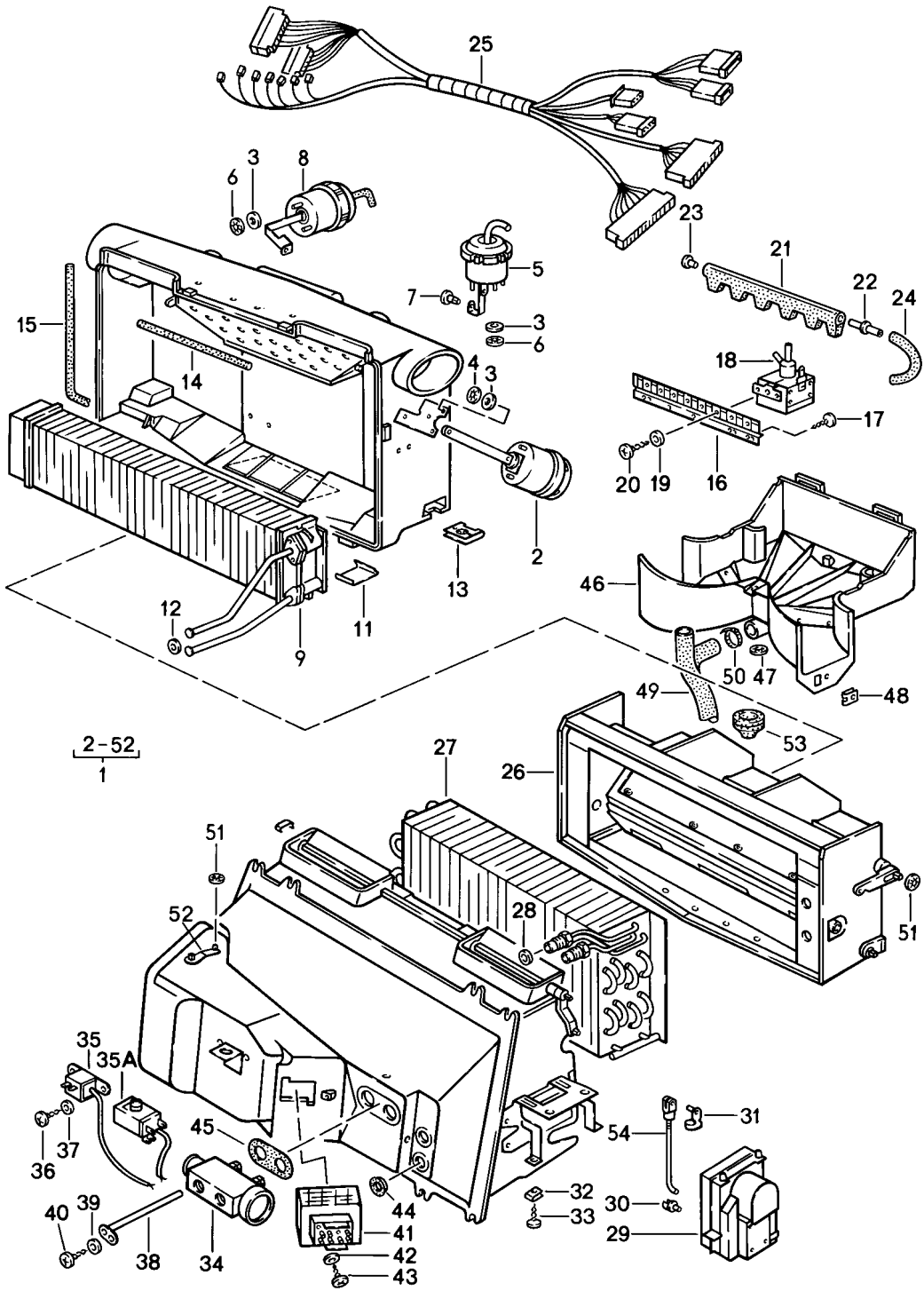
Model: 928 83

Model life 1983>>1986

Pos	Part Number	Description	Remark	Qty	Model
28	928 613 177 00	Rosette for Leatherette	/L	1	
(28)	928 613 177 01	Rosette for Leather	/L	1	
29	911 613 119 02	Rosette		2	
30	928 613 219 00	Spring clip		2	
31	928 613 154 01	Knob	/R	1	
32	928 613 155 01	Knob	/L	1	
-	928 570 425 00	Water drain hose	85	1	
-	928 570 425 01	Water drain hose	86	1	
33	928 618 137 00	Series resistor		1	

Model: 928 83

Model life 1983>>1986



Model: 928 83 Model life 1983>>1986

Pos	Part Number	Description	Remark	Qty	Model
1	928 573 036 03	Air conditioner Air conditioner Automatic F >>92DS8 61951	/LL	1	
(1)	928 573 036 04	Air conditioner Automatic F 92DS8 61952>>92GS8 60999	/LL	1	
(1)	928 573 036 05	Air conditioner Automatic F 92GS8 61001>>	/LL	1	
2	928 574 077 02	Vacuum unit Defroster vent		1	
3	928 574 465 02	Rubber washer		9	
4	999 507 243 02	Kronen-fix		6	
5	928 574 079 06	Vacuum unit Footwell		1	
6	999 507 247 02	Mecano-speed-fix		6	
7	928 574 735 02	Bolt		1	
8	928 573 309 03	Vacuum unit Centre nozzle		1	
9	928 574 047 02	Heat exchanger	/LL	1	
11	928 574 423 02	Clamp		8	
12	999 701 615 40	O-ring		2	
13	999 591 368 02	Speed nut 4,2		2	
-	999 911 214 50	Sealing cord		*	
14		152 MM		1	
15		800 MM		1	
16	928 573 693 04	Support		1	
17	900 143 031 02	Oval-head sheetmetal screw B 4,2 X 9,5		3	
18	928 573 691 02	Solenoid valve	/LL	6	
19	900 025 001 02	Washer A 3,2		6	
20	N 013 932 1	Oval-head sheetmetal screw B 2,9 X 6,5		6	
21	928 573 695 02	Connection F >>92DS8 61951		1	
(21)	928 573 695 03	Connection F 92DS8 61952>>		1	
22	928 574 689 02	Connecting piece		4	
23	928 574 721 02	Stopper		2	
24	928 574 717 02	Moulded hose		6	
25	928 612 921 01	Wiring harness F >>92DS8 61951		1	
(25)	928 612 921 03	Wiring harness F 92DS8 61952>>		1	
26	928 573 038 03	Flap housing F >>92DS8 49562 F >>92DS8 61951	/LL (J)	1	
27	928 573 013 02	Evaporator F >>92GS8 60999	/LL	1	
(27)	928 573 013 04	Evaporator F 92GS8 61001>>	/LL	1	
28	999 701 620 40	O-ring F >>92GS8 60999	-85	2	
(28)	999 707 251 40	O-ring F 92GS8 61001>>	86	1	
(28)	999 707 250 40	O-ring F 92GS8 61001>>	86	1	
(28)	999 707 434 41	O-ring F 92GS8 61001>>	86-	1	
29	928 573 150 03	Control mechanism		1	

Model: 928 83 Model life 1983>>1986

Pos	Part Number	Description	Remark	Qty	Model
(29)	928 624 129 00	F >>92DS8 61951 Control mechanism		1	
30	993 531 563 00	F 92DS8 61952>> Linkage clip		1	
31	999 166 050 02	Bolt		1	
32	999 507 037 02	Speed nut 4,2		2	
33	900 143 121 07	Tapping screw B 4,2 X 16		2	
33	900 143 121 0H	Tapping screw B 4,2 X 16		2	
34	928 573 123 02	Expansion valve		1	
(34)	928 573 123 05	F >>92GS8 60999 Expansion valve		1	
35	928 613 135 00	F 92GS8 61001>> Temperature switch		1	
35A	928 613 133 00	F >>92DS8 60072 Temperature switch		1	
-	928 613 163 00	Adapter for Temperature switch 928.613.133.00		1	
36	900 075 145 02	F >>92DS8 60072 Hexagon-head bolt M 5 X 16		2	
37	N 012 222 4	F >>92DS8 60072 Spring washer B 5		2	
38	928 573 581 02	F >>92DS8 60072 Capillary tube		1	
39	900 028 006 01	Washer A 3		1	
40	N 013 953 2	Oval-head sheetmetal screw B 2,9 X 9,5		1	
41	928 618 101 01	Thermo bi-metal switch		1	
42	N 012 224 3	Spring washer A 4		2	
43	900 146 025 02	Half-round screw M 4 X 18		2	
44	928 574 383 02	Grommet		2	
45	928 573 383 03	Grommet		1	
46	928 574 027 02	Housing		1	
47	999 507 244 02	Kronen-fix		1	
48	999 507 020 02	Speed nut 4,2		1	
48	999 507 020 01	Speed nut 4,2		1	
49	928 574 583 04	Water drain hose		1	
-	928 423 523 00	Spacer sleeve		1	
50	999 513 001 40	Tie-wrap		1	
51	999 591 425 03	Mecano-speed-fix		2	
52	928 574 397 02	Bearing lever		1	
53	928 573 531 02	Grommet		1	
-	928 573 299 02	Plastic foam strip		2	
-	999 513 025 40	Tie-wrap 9,5 X 211		2	
54	928 573 313 02	Gear shift rod		1	

Model: 928 83

Model life 1983>>1986



Model: 928 83

Model life 1983>>1986

Pos	Part Number	Description	Remark	Qty	Model
-	928 573 941 03	Conversion set Air conditioner Refrigerant R134a -- TI 1/95 -- Desiccator with Desiccator Insert	83-96	1	928/928 S
-	999 707 247 40	O-ring 7,5 x 2 mm		2	
-	928 573 965 03	Valve Eckventil 90 Grad		1	
-	928 573 965 01	Valve TI 1/95		1	
-	928 573 965 02	Valve Eckventil 90 Grad		1	
-	928 573 965 00	Valve TI 1/95		1	
-	000 043 200 04	Oil		X	
-		Oil		X	
-		Refrigerant R 134a		X	
-	964 701 141 02	Sticker		2	

Model: 928 83

Model life 1983>>1986



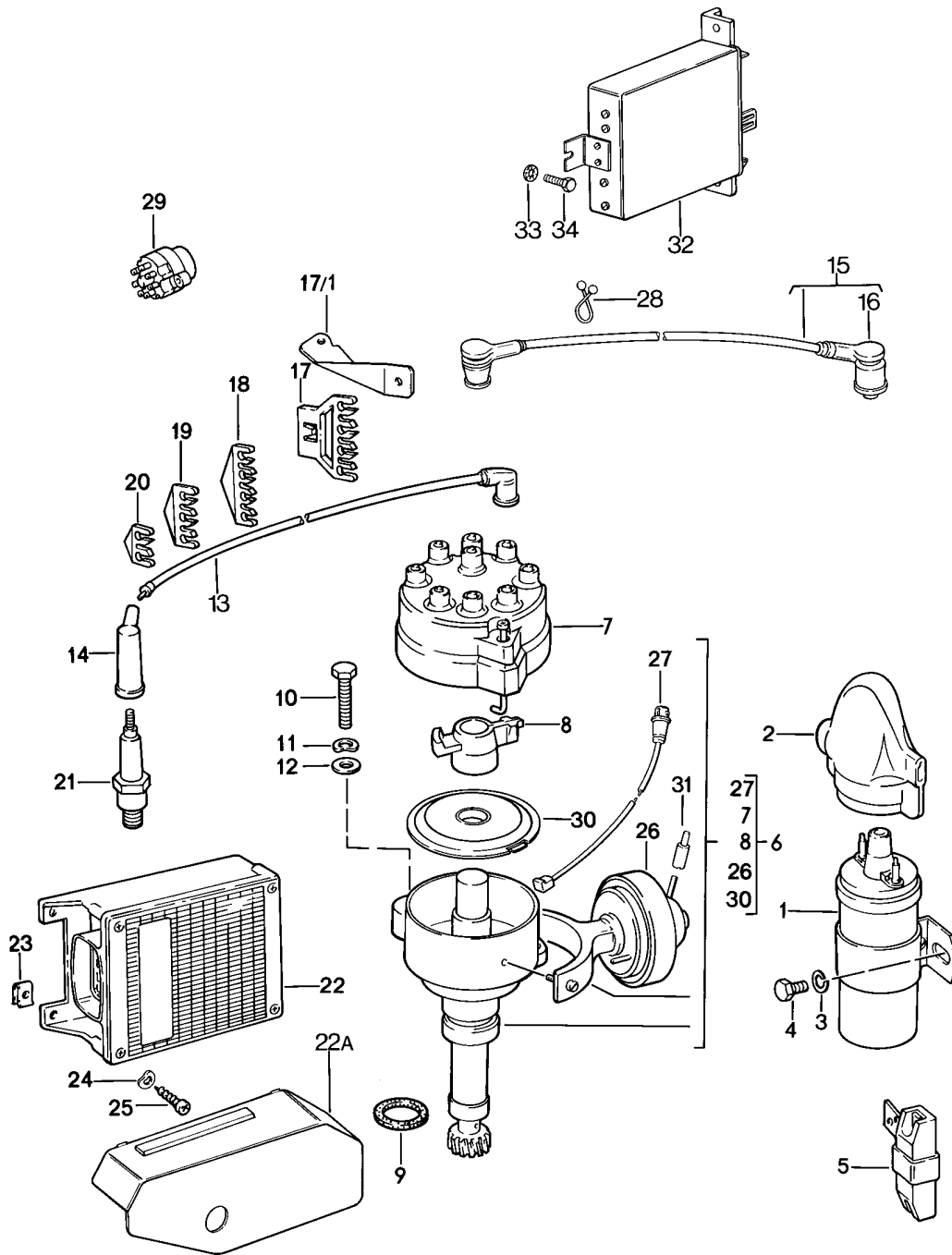
Model: 928 83

Model life 1983>>1986

Pos	Part Number	Description	Remark	Qty	Model
>>	928 799 537 13	Repair kits		1	
>>	928 799 537 15	Set of locks		1	M533
		Comprising:			
		Steering outer tube		1	
		with			
		Steering lock		2	
		Door lock cylinder		2	
		Lid lock		1	
		Fuel tank cap		1	
		with lock cylinder			
		Glove compartment lock		1	
		with lock cylinder			
		Key		3	
		When required order also:			
		Key lamp			
		See group			
		8/04/05 POS.59			
>>	928 559 075 02	Stone guard film	/L	1	
		1 set			
>>	928 559 076 02	Stone guard film	/R	1	
		1 set			

Model: 928 83

Model life 1983>>1986



Model: 928 83 Model life 1983>>1986

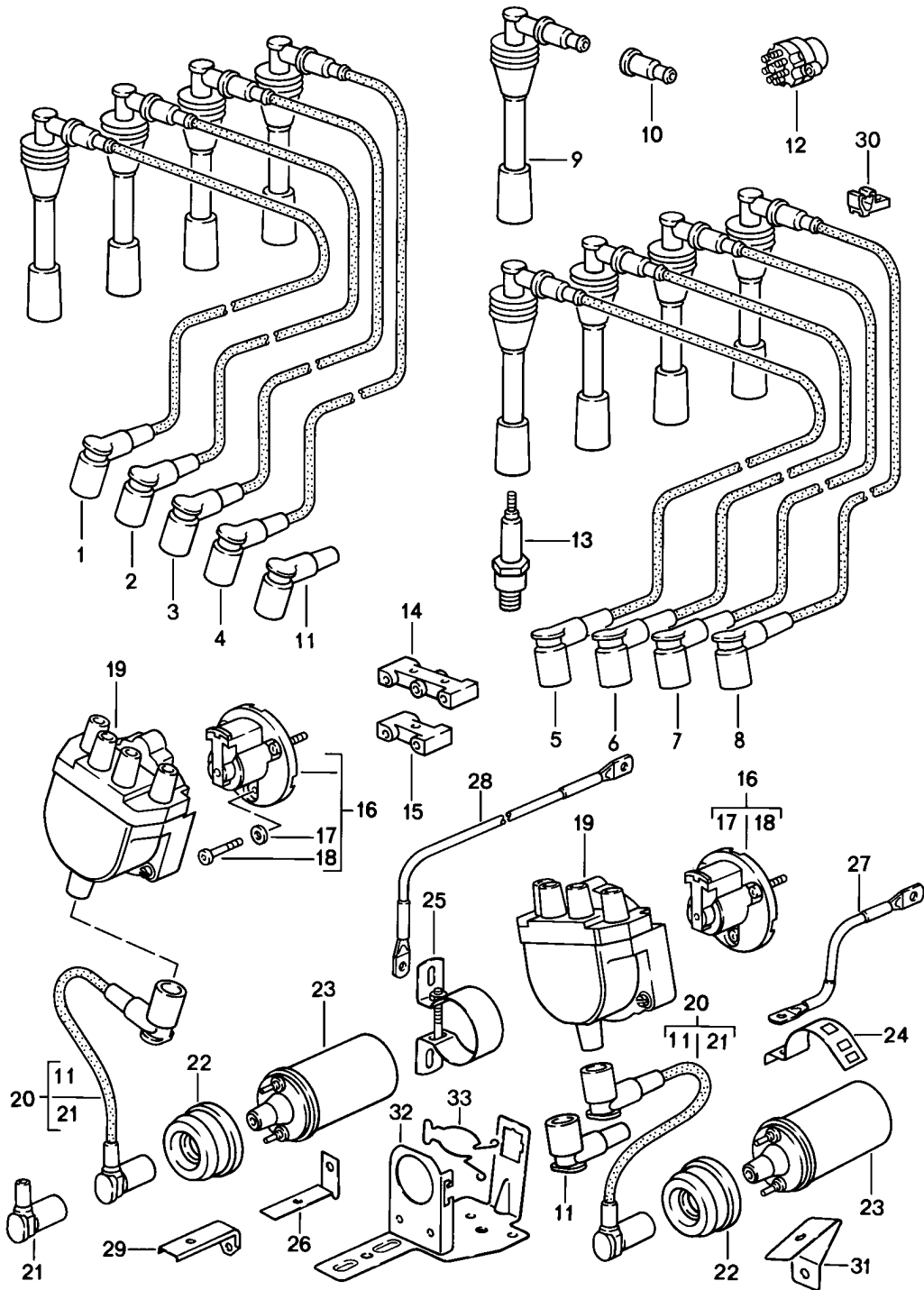
Pos	Part Number	Description	Remark	Qty	Model
		Engine electrics L-jetronic	-84		M28.19/20
1	928 602 503 00	Ignition coil		1	
2	928 602 801 00	Cap		1	
3	900 028 004 01	Spring washer B 8		2	
4	N 014 712 3	Pan-head screw M 8 X 18		2	
5	046 905 109	Series resistor Green OHM 0,4		1	
(5)	046 905 109 A	Series resistor Red 0,6 OHM		1	
(6)	928 602 032 07	Distributor		1	M28.19/20
(6)	928 602 032 GX	Distributor		1	M28.19/20
7	928 602 902 00	Distributor cap		1	
8	928 602 904 03	Rotor (ZV.928 602 032 07)		1	
9	928 602 103 00	Sealing ring		1	
10	N 010 335 5	Hexagon-head bolt M 8 X 35		1	
10	900 075 032 03	Hexagon-head bolt M 8 X 35		1	
11	N 012 229 3	Spring washer B 8		1	
12	900 089 006 02	Washer		1	
12	900 089 006 01	Washer		1	
13	928 609 061 00	Ignition lead Cylinder 1		1	
(13)	928 609 061 01	Ignition lead Cylinder 2		1	
(13)	928 609 061 02	Ignition lead Cylinder 3		1	
(13)	928 609 061 03	Ignition lead Cylinder 4		1	
(13)	928 609 061 05	Ignition lead ZYL. 5/6		1	
(13)	928 609 061 06	Ignition lead Cylinder 7		1	
(13)	928 609 061 08	Ignition lead Cylinder 8		1	
14	928 609 105 03	Ignition cable connector		8	
15	928 609 061 07	Ignition lead		1	
16	477 035 281	Screened connector		1	
17	928 609 139 03	Support		1	
17A	928 609 140 01	Support Right		1	
18	928 609 139 02	Pipe holder		2	
19	928 609 139 01	Pipe holder Triple		2	
20	928 609 139 00	Pipe holder Spark plug Use also: 547 09222 for Spark plug		2	
-	547 09 222	Nut for Spark plug		X	
21	999 170 062 90	Spark plug BOSCH WR 8 DS		8	

Model: 928 83 Model life 1983>>1986

Pos	Part Number	Description	Remark	Qty	Model
22	928 602 702 02	Tsz switch unit		1	
22A	928 612 871 02	Cover		1	
		Ignition switch unit			
23	999 591 348 02	Speed nut		3	
		B 4,8			
23	999 591 348 01	Speed nut		3	
		B 4,8			
24	N 012 222 4	Spring washer		3	
		B 5			
25	900 143 046 02	Oval-head sheetmetal screw		3	
		B 4,8 X 16			
25	900 143 046 01	Oval-head sheetmetal screw		3	
		B 4,8 X 16			
26	928 602 915 06	Vacuum timing unit		1	M28.19/20
		F.ignition distributor			
		928.602.032.07			
27	928 602 907 00	Supply cable		1	
28	999 651 161 40	Cable tie		1	
29	964 613 012 00	Ignition starter switch		1	
		Steering lock			
		See group			
		4/03/05			
(30)	928 602 913 00	Dust cover		1	
		F.ignition distributor			
(32)	928 618 106 04	Lambda control unit	(CDN) (USA)	1	
		L-jetronic			
		Oxygen sensor			
33	N 012 226 5	Spring washer		3	
		B 6			
34	900 075 057 02	Hexagon-head bolt		3	
		M 6 X 16			
34	900 075 057 03	Hexagon-head bolt		3	
		M 6 X 16			
-	911 606 108 00	Timing mark sender		1	

Model: 928 83

Model life 1983>>1986



Model: 928 83 Model life 1983>>1986

Pos	Part Number	Description	Remark	Qty	Model
		Engine electrics	85		M28.43/44
1	928 602 060 01	Ignition lead Cylinder 1		1	
2	928 602 060 02	Ignition lead Cylinder 2		1	
3	928 602 060 03	Ignition lead Cylinder 3		1	
4	928 602 060 04	Ignition lead Cylinder 4		1	
5	928 602 060 05	Ignition lead Cylinder 5		1	
6	928 602 060 06	Ignition lead Cylinder 6		1	
7	928 602 060 07	Ignition lead Cylinder 7		1	
8	928 602 060 08	Ignition lead Cylinder 8		1	
9	928 602 311 00	Spark plug connector		8	
10	999 659 001 40	Water protection cap		8	
11	928 602 557 00	Distributor plug		10	
12	964 613 012 00	Ignition starter switch		1	
-	928 613 223 00	Retainer spring for Ignition starter switch		1	
		Spark plug			
		Use also: 547 09222		X	
		for Spark plug			
-	547 09 222	Nut for Spark plug		X	
13	999 170 156 90	WR 7DC		8	
14	911 609 591 00	Cable holder		X	
15	911 609 593 00	Cable holder		X	
6	928 602 213 01	Rotor		2	
		M >> 81G 00068			M28.43
		M >> 81G 05077			M28.44
(16)	928 602 213 00	Rotor		2	
		M 81G 00069 >>			M28.43
		M 81G 05078 >>			M28.44
17	N 012 005 3	Lock ring		6	
18	928 602 223 00	Screw		6	
19	928 602 211 01	Distributor cap		2	
20	928 602 039 00	Ignition lead		2	
21	928 602 131 00	Ignition coil plug		2	
22	927 602 801 00	Protection cap		2	
23	944 602 115 00	Ignition coil		2	
24	928 602 511 00	Clamping bow		1	
25	944 602 117 00	Clamp		1	
26	928 602 051 02	Support Bracket Fan		1	
27	928 612 819 00	Ground cable	/L	1	
28	928 612 814 00	Ground cable	/R	1	
29	928 602 051 00	Support Thermostat housing		1	
30	928 602 559 00	Support		8	
31	928 602 051 05	Support Water pump		1	
32	928 607 051 02	Support		1	

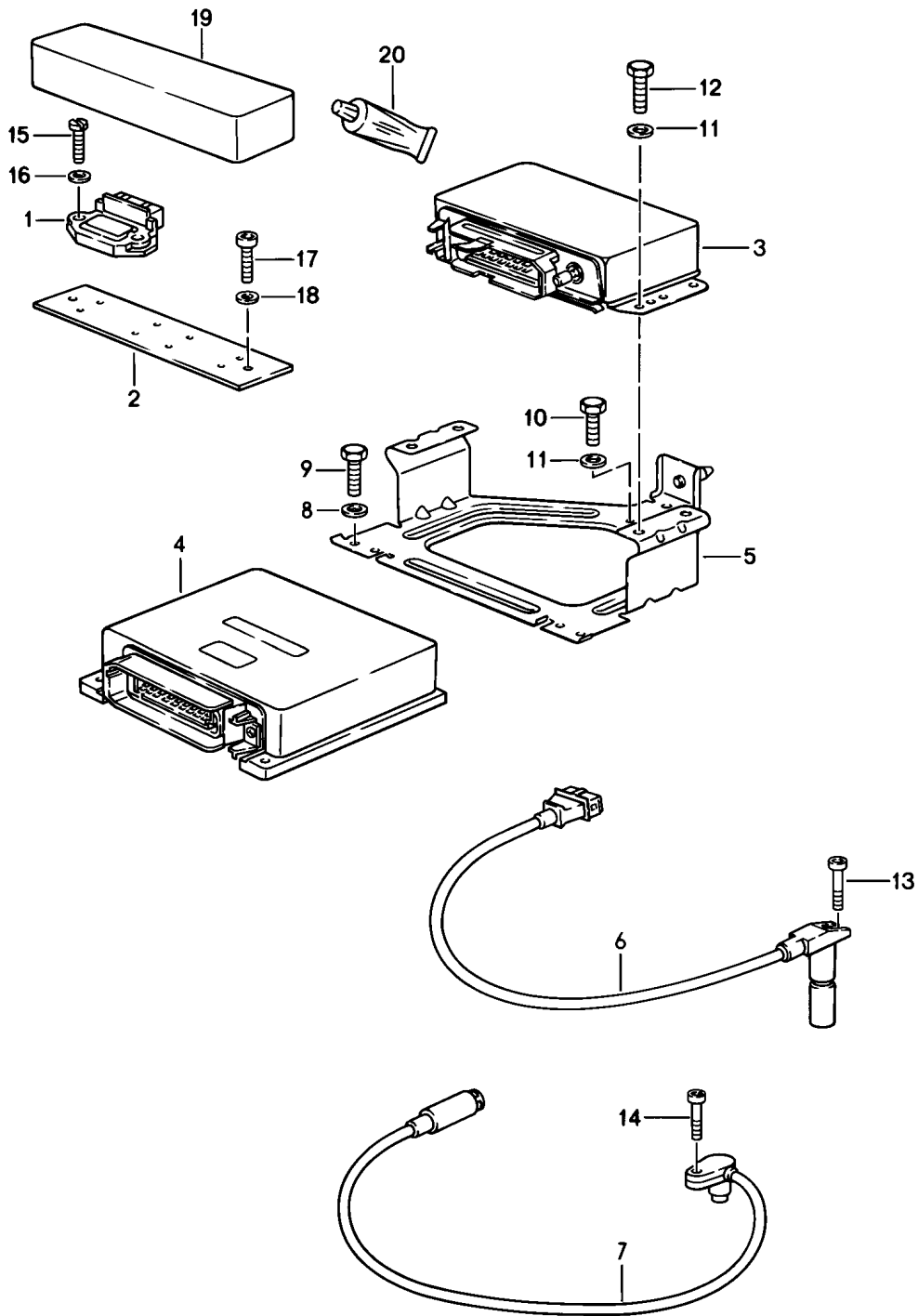
Model: 928 83

Model life 1983>>1986

Pos	Part Number	Description	Remark	Qty	Model
33	928 607 553 01	Diagnostic connector Clip		1	

Model: 928 83

Model life 1983>>1986



Model: 928 83 Model life 1983>>1986

Pos	Part Number	Description	Remark	Qty	Model
		Engine electrics Lh-jetronic	85		M28.43/44
1	928 602 706 01	Ignition switch unit		2	
2	928 602 716 00	Heat dissipator		1	
(3)	928 618 124 05	Ignition control unit	85-	1	M28.43/44
(4)	928 618 123 04	Control unit	85	1	M28.43/44
(4)	928 618 123 DX	Control unit Lh-jetronic	85 86	1	M28.43/44
5	928 618 010 00	Bracket		1	
6	944 606 115 00	Pulse sender		1	
7	911 606 108 00	Timing mark sender		1	
8	N 011 524 7	Washer A 6,6		2	
8	N 011 524 27	Washer A 6,6		2	
9	N 010 210 13	Hexagon-head bolt M 6 X 10		2	
10	900 075 145 02	Hexagon-head bolt M 5 X 15		1	
11	900 025 003 02	Washer A 5,3		5	
12	N 010 205 6	Hexagon-head bolt M 5 X 10		4	
12	900 075 105 02	Screw M 5 X 10		4	
13	999 218 005 02	Pan-head screw M 6 X 16		1	
13	999 218 005 01	Pan-head screw M 6 X 16		1	
14	900 067 089 02	Pan-head screw M 6 X 25		1	
14	900 067 089 01	Pan-head screw M 6 X 25		1	
15	900 075 260 02	Hexagon-head bolt M 6 X 15		4	
16	N 011 524 7	Washer A 6,4		4	
16	N 011 524 27	Washer A 6,4		4	
17	900 075 260 02	Hexagon-head bolt M 6 X 15		2	
18	N 011 524 7	Washer A 6,4		2	
18	N 011 524 27	Washer A 6,4		2	
19	928 602 707 00	Cover		1	
20	999 915 031 00	Sealing compound CURIL K 2 1 100-gramme tube		X	
		Mounting parts			
		Timing mark sender			
-	N 011 524 7	Washer A 6,4		1	
-	N 011 524 27	Washer A 6,4		1	
-	999 072 005 09	Hexagon nut M 6 X 12		1	
-	999 072 005 01	Hexagon nut M 6 X 12		1	
-	999 511 142 02	Clamp 17 X 15		1	
		Sensor			

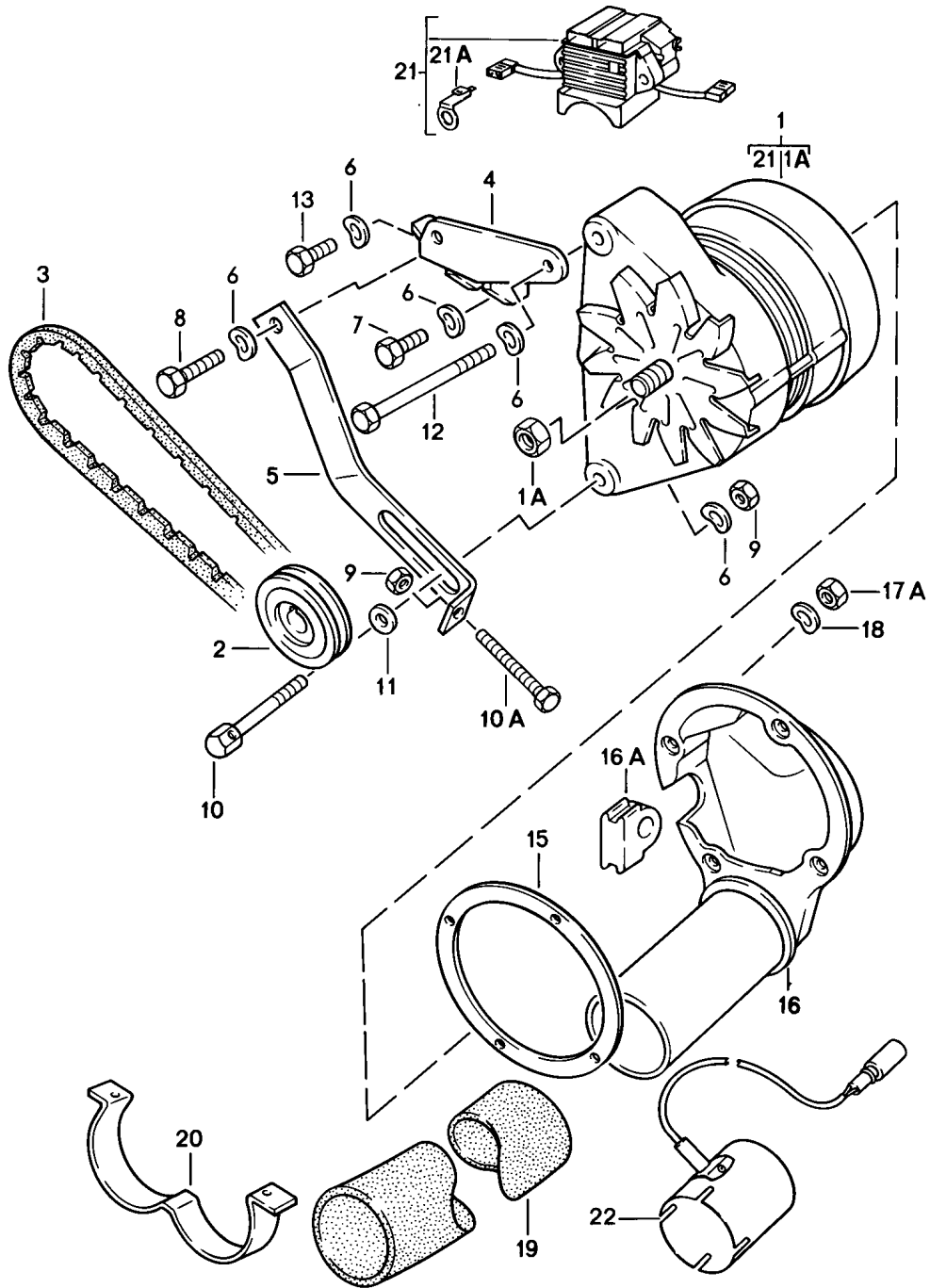
Model: 928 83

Model life 1983>>1986

Pos	Part Number	Description	Remark	Qty	Model
-	477 971 851	Ignition point		1	
-	N 020 904 4	Cable clip		1	
		Tie-wrap			

Model: 928 83

Model life 1983>>1986



Model: 928 83 Model life 1983>>1986

Pos	Part Number	Description	Remark	Qty	Model
		Generator			M28.11/12 M28.19/20 M28.21/22
(1)	928 603 114 01	Generator	-84	1	
(1)	928 603 114 AX	Generator	-84	1	
(1)	928 603 114 BX	Generator	82-	1	
1A	928 603 904 00	Set of fastening parts 1 set	-83	X	
2	928 603 145 02	Pulley	-83	1	
(2)	928 603 145 03	Pulley	84	1	
3	999 192 214 50	Poly-rib belt K4 858 Only together with Pulley 928 603 145 02	-83	1	
(3)	999 192 259 50	Poly-rib belt K5 886 Only together with Pulley 928 603 145 03	84	1	
(3)	999 192 250 50	Poly-rib belt K5 886 Only together with Pulley 928 603 145 03	84-	1	
4	928 101 041 03	Support		1	
5	928 101 402 07	Tension shackle		1	
6	900 025 007 02	Washer		5	
6	900 025 007 03	Washer		5	
7	900 075 085 02	Hexagon-head bolt M 8 X 20		1	
8	900 075 029 09	Hexagon-head bolt M 8 X 25		1	
8	900 075 029 03	Hexagon-head bolt M 8 X 25		1	
9	900 076 025 02	Hexagon nut M 8		2	
9	900 076 064 02	Hexagon nut M 8		2	
10	928 101 403 00	Hexagon-head bolt M 8 X 75		1	
10A	N 010 274 1	Hexagon-head bolt		1	
11	900 223 001 02	Washer - 8,4 -		1	
12	900 074 050 02	Hexagon-head bolt M 8 X 120		1	
13	N 010 239 11	Hexagon-head bolt M 8 X 18		1	
13	N 010 239 30	Hexagon-head bolt M 8 X 18		1	
15	928 603 135 02	Sealing ring		1	
16	928 603 133 04	Ventilation cowl		1	
16A	928 612 865 02	Hose piece		1	
17A	N 011 005 14	Hexagon nut M 5		4	
17A	900 076 091 01	Hexagon nut M 5		4	
18	900 025 003 02	Washer		8	
19	928 603 143 00	Breather hose 1170 MM		1	
19	928 603 143 01	Flexible pipe 320 MM		1	
(19)	928 603 143 04	Flexible pipe		1	

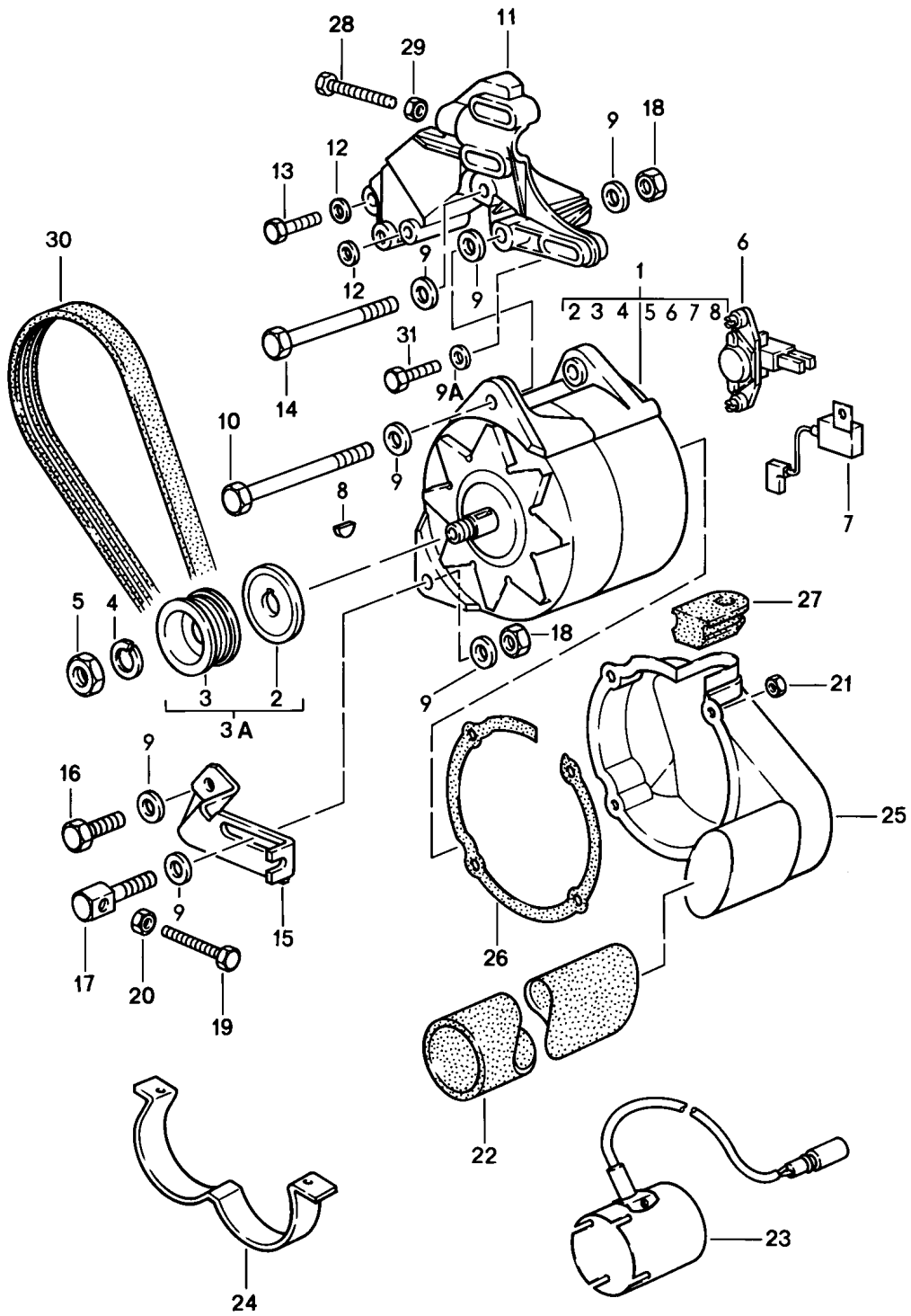
Model: 928 83

Model life 1983>>1986

Pos	Part Number	Description	Remark	Qty	Model
		900 MM			
-	928 603 365 00	Edge protection		3	
-	999 512 349 02	Hose clamp		2	
-	999 512 349 01	Hose clamp		2	
-	999 512 349 0B	Hose clamp		2	
-	999 513 023 40	Tie-wrap		1	
20	928 603 139 00	Retaining bar		1	
21	911 603 913 01	Electronic regulator		1	
21A	911 603 911 00	Push-on connector		1	
		Only together with			
		928 603 913 01			
		928 603 114 00			
22	928 659 021 01	Outer sensor		1	
		Automatic air conditioner			
-	928 603 910 00	Diode plate		1	
		for			
		928 603 114 00			
		928 603 114 01			

Model: 928 83

Model life 1983>>1986



Model: 928 83

Model life 1983>>1986

Pos	Part Number	Description	Remark	Qty	Model
		Generator	85		M28.21/22
1	928 603 011 01	Generator	85	1	M28.43/44 M28.21 M28.22 M28.43 M28.44
3A	928 603 021 01	Pulley with Support washer		1	
4	928 603 611 00	Retainer		1	
(4)	N 012 016 1	Lock ring		1	
5	900 034 013 02	Hexagon nut M 16 X 1,5		1	
5	900 034 013 01	Hexagon nut M 16 X 1,5		1	
6	944 603 141 01	Regulator		1	
7	944 603 143 00	Condenser		1	
8	928 603 903 00	Woodruff key		1	
9	900 025 008 09	Washer A 10,5		7	
9	900 025 008 04	Washer A 10,5		7	
9A	928 101 302 00	Washer A 8,4		3	
10	N 010 494 4	Hexagon-head bolt M 10 X 125 M >> 82G 00071 M >> 82G 05066 M >> 81G 00141 M >> 81G 05282		1	M28.21 M28.22 M28.43 M28.44
(10)	900 074 197 02	Hexagon-head bolt M 10 X 130 M 82G 00072 >> M 82G 05067 >> M 81G 00142 >> M 81G 05283 >>		1	M28.21 M28.22 M28.43/44 M28.45/46
(11)	928 101 123 02	Support		1	M28.21 M28.22 M28.43/44 M28.45/46
12	900 025 007 02	Washer A 8,4		2	
12	900 025 007 03	Washer A 8,4		2	
13	N 010 335 5	Hexagon-head bolt M 8 X 35		1	
13	900 075 032 03	Hexagon-head bolt M 8 X 35		1	
14	N 010 500 3	Hexagon-head bolt M 10 X 110 M >> 82G 00071 M >> 82G 05066 M >> 81G 00141 M >> 81G 05282		1	M28.21 M28.22 M28.43 M28.44
(14)	900 074 197 02	Hexagon-head bolt M 10 X 130 M 82G 00072 >> M 82G 05067 >> M 81G 00142 >> M 81G 05283 >>		1	M28.21 M28.22 M28.43 M28.44
15	928 101 127 00	Support		1	

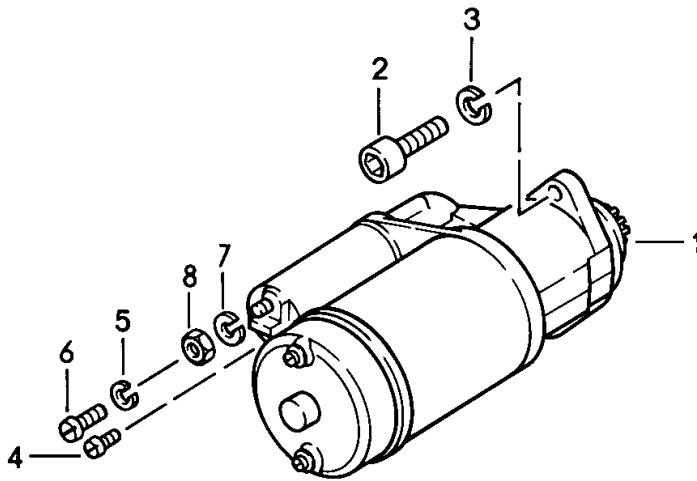
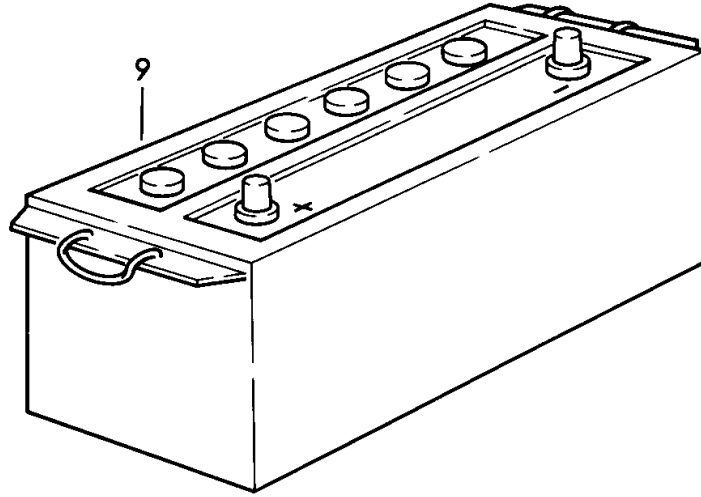
Model: 928 83

Model life 1983>>1986

Pos	Part Number	Description	Remark	Qty	Model
16	900 075 041 09	Hexagon-head bolt M 10 X 25		1	
16	900 075 481 01	Hexagon-head bolt M 10 X 25		1	
17	928 101 129 00	Threaded bolt		1	
18	900 910 031 09	Lock nut VM 10		2	
18	900 910 031 01	Lock nut VM 10		2	
19	N 010 248 1	Hexagon-head bolt M 8 X 60		1	
20	900 076 025 02	Hexagon nut M 8		1	
20	900 076 064 02	Hexagon nut M 8		1	
21	N 011 005 14	Hexagon nut M 5		4	
21	900 076 091 01	Hexagon nut M 5		4	
22	928 603 143 01	Flexible pipe 320 MM		1	
(22)	928 603 143 04	Flexible pipe 900 MM		1	
-	928 603 365 00	Edge protection		1	
23	928 659 021 01	Outer sensor Automatic air conditioner		1	
24	928 603 139 00	Retaining bar		1	
25	928 603 133 07	Ventilation cowl		1	
26	928 603 135 03	Sealing ring		1	
27	928 612 865 03	Hose piece		1	
28	N 010 361 4	Hexagon-head bolt M 8 X 65		1	
28	N 010 361 13	Hexagon-head bolt M 8 X 65		1	
29	900 076 025 02	Hexagon nut M 8		1	
29	900 076 064 02	Hexagon nut M 8		1	
30	999 192 266 50	Poly-rib belt K 6 - 858 - LW		1	
31	N 010 353 3	Hexagon-head bolt M 8 X 42		3	

Model: 928 83

Model life 1983>>1986

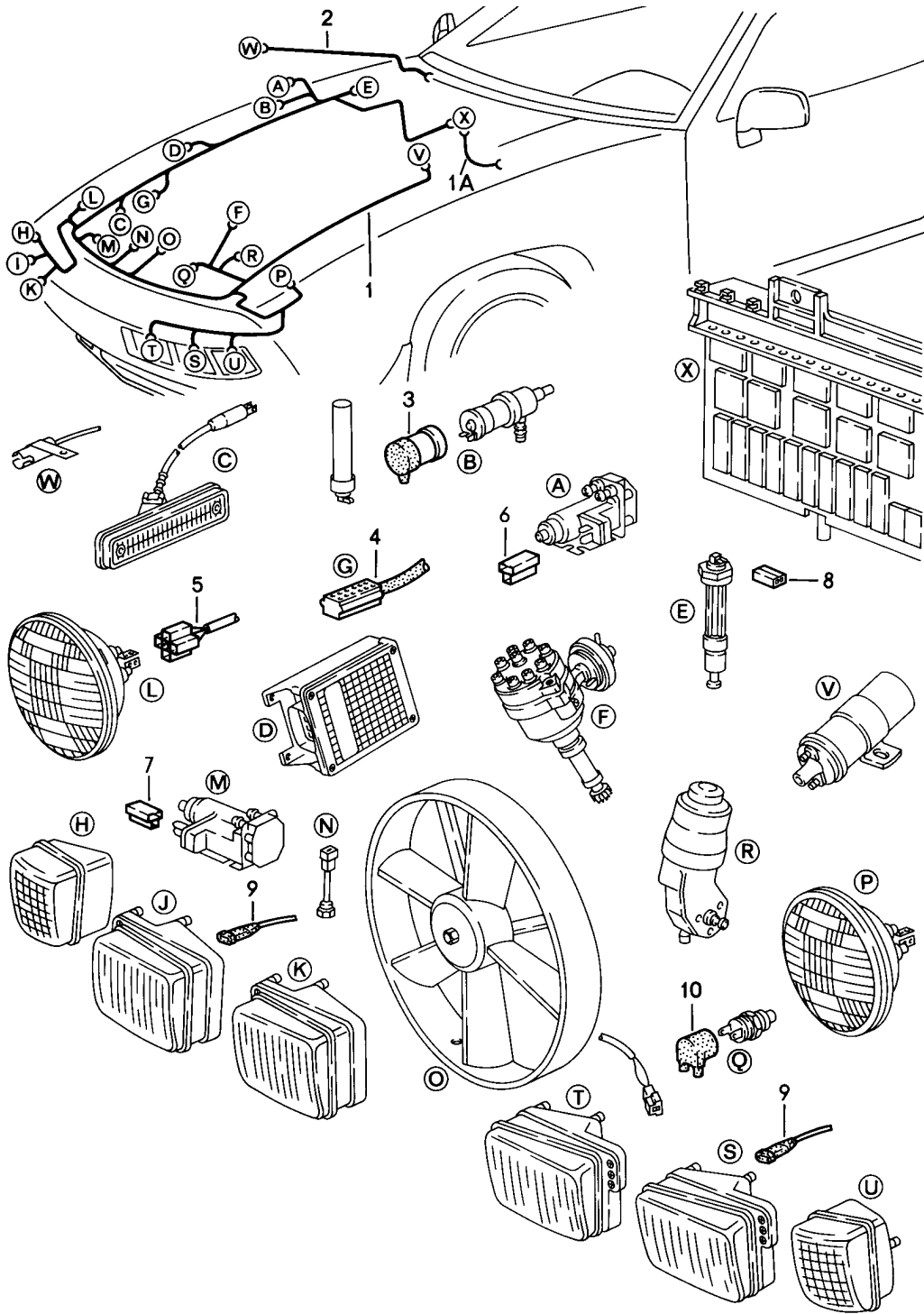


Model: 928 83 Model life 1983>>1986

Pos	Part Number	Description	Remark	Qty	Model
1	928 604 103 04	Starter Battery		1	
(1)	928 604 103 DX	Starter 1,5 KW		1	
(1)	928 604 103 EX	Starter 1,5 KW		1	
2	900 067 124 02	Pan-head screw M 10 X 35		2	
3	900 027 016 02	Lock ring B 10		2	
3	900 027 016 03	Lock ring B 10		2	
4	900 075 275 02	Pan-head screw AM 4 X 8		1	
5	N 012 005 3	Lock ring A 5		1	
6	900 075 276 02	Pan-head screw AM 5 X 6		1	
7	900 027 015 02	Lock ring A 8		1	
7	900 027 015 03	Lock ring A 8		1	
8	900 076 025 02	Hexagon nut M 8		1	
8	900 076 064 02	Hexagon nut M 8		1	
9	999 611 088 20	Battery 12V - 88 AH F >>92GS8 60999		1	
(9)	928 611 173 02	Battery 12V - 72 AH F 92GS8 61000>>		1	
-	999 611 104 00	Pole covering Battery Mounting parts Battery		1	
-	928 611 209 02	Clamp		1	
-	999 075 032 02	Hexagon-head bolt M 8 X 20 F >>92GS8 60999		1	
-	N 014 725 2	Pan-head screw M 8 X 25 F 92GS8 61000>>		1	
-	900 067 018 03	Pan-head screw M 8 X 25 F 92GS8 61000>>		1	
-	900 025 007 02	Washer A 8,4 F 92GS8 61000>>		1	
-	900 025 007 03	Washer A 8,4 F 92GS8 61000>>		1	

Model: 928 83

Model life 1983>>1986



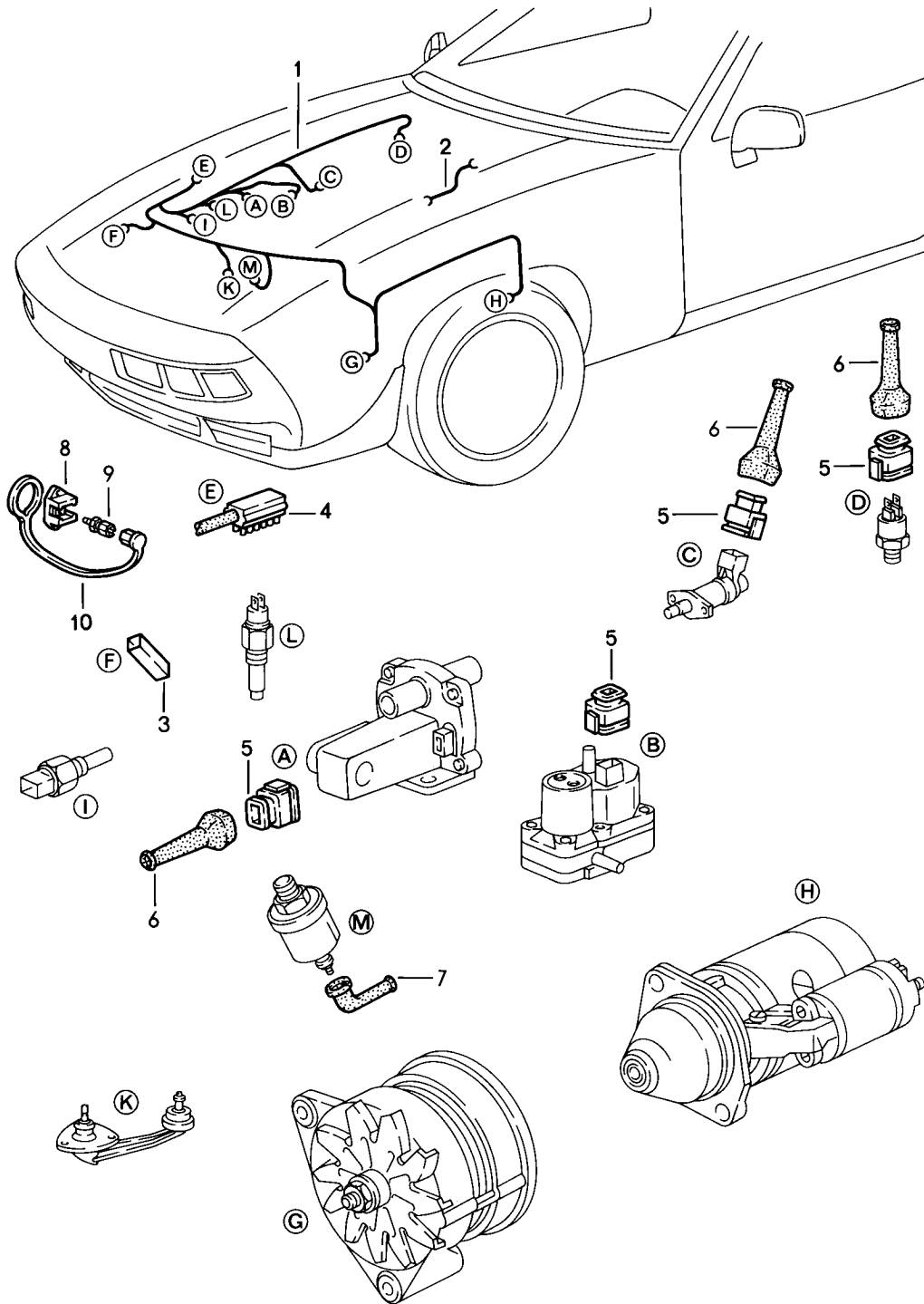
Model: 928 83

Model life 1983>>1986

Pos	Part Number	Description	Remark	Qty	Model
		Wiring harness FRONT luggage compartment			
1	928 612 001 07	Wiring harness	-83	1	
(1)	928 612 001 10	Wiring harness	84	1	
(1)	928 612 001 21	Wiring harness	85	1	
		F >>92GS8 60999			
(1)	928 612 001 20	Wiring harness F 92GS8 61000>> See technical information 9-NR.1/86	86	1	
2	927 612 201 00	Wiring harness Engine compartment lamp	-83	1	
3	477 971 921	Protection cap		1	
4	911 612 115 02	Connector housing		1	
5	928 631 108 00	Connector housing		2	
6	999 652 167 40	Terminal sleeve housing		1	
7		Terminal sleeve housing		1	
8	810 971 989	Connector housing		1	
9	311 971 867 A	Grommet		22	
10	477 971 934	Protection cap Mounting parts		1	
-	999 511 138 02	Pipe clamp		1	
-	928 503 113 02	Hexagon-head bolt M 6 X 25		1	
-	999 651 161 40	Cable tie		11	
-	999 513 023 40	Tie-wrap -120 MM -		13	
-	999 513 007 40	Tie-wrap - 88 MM -		8	
-	999 513 023 40	Tie-wrap -160 MM -		2	

Model: 928 83

Model life 1983>>1986



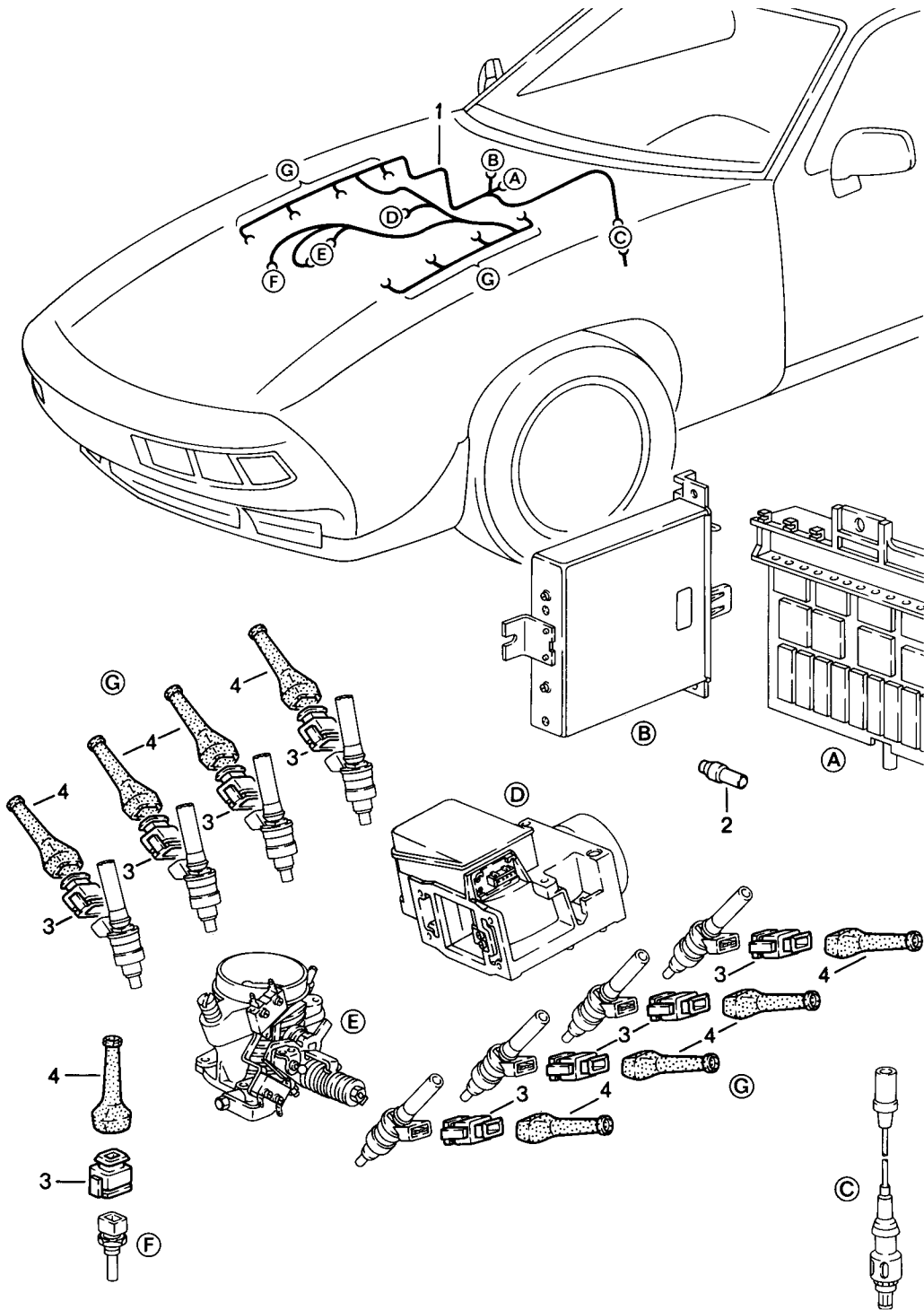
Model: 928 83

Model life 1983>>1986

Pos	Part Number	Description	Remark	Qty	Model
		Wiring harness			
		Engine			
1	928 612 002 05	Wiring harness	-83	1	M28.19/20
(1)	928 612 002 08	Wiring harness	84	1	M28.19/20
(1)	928 607 002 01	Wiring harness	85	1	M28.43/44
(1)	928 607 002 10	Wiring harness	86	1	M28.43/44
2	928 612 011 00	Ground cable		1	
-	928 612 203 00	Wiring harness	84-	1	M208
		Oil pressure switch			
		Converter			
3	111 971 977	Flat connector socket		1	
4	911 612 113 05	Connector housing		1	
5	022 906 231 A	Connector housing		4	
6	022 906 102	Protection cap		4	
7	928 612 497 00	Protection cap		2	
8	928 612 867 00	Cable connection		1	
9	928 612 868 00	Hexagon-head bolt	-84	1	
(9)	928 612 868 01	Hexagon-head bolt	85-	1	
10	928 612 869 00	Protection cap	-84	1	
(10)	928 612 073 00	Protection cap	85-	1	
(10)	928 612 073 01	Protection cap	85-	1	
-	N 020 902 1	Tie-wrap		3	
		Tsz switch unit			
-	N 020 902 A	Tie-wrap		3	
		Tsz switch unit			
		Ground cable			
-	N 012 241 8	Spring washer		1	
		B 8			
-	N 010 239 11	Hexagon-head bolt		1	
		M 8 X 18			
-	N 010 239 30	Hexagon-head bolt		1	
		M 8 X 18			

Model: 928 83

Model life 1983>>1986



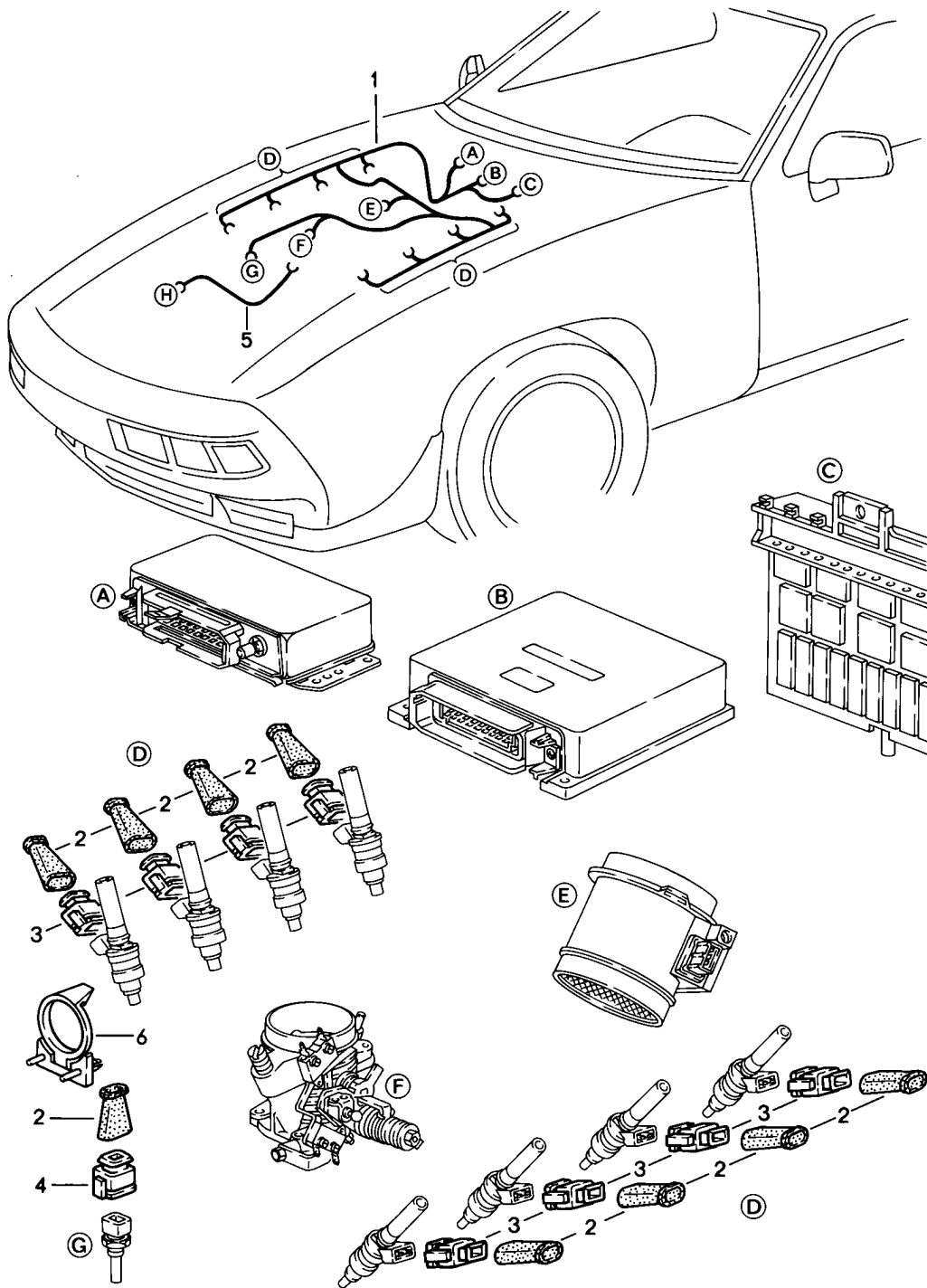
Model: 928 83

Model life 1983>>1986

Pos	Part Number	Description	Remark	Qty	Model
		Wiring harness L-jetronic			
1	928 612 013 02	Wiring harness		1	
2	113 919 113	Connector housing		1	
3	022 906 231 A	Connector housing		9	
4	022 906 102	Protection cap		9	
		Mounting parts			
-	999 513 003 40	Tie-wrap 4,8 X 293		5	

Model: 928 83

Model life 1983>>1986



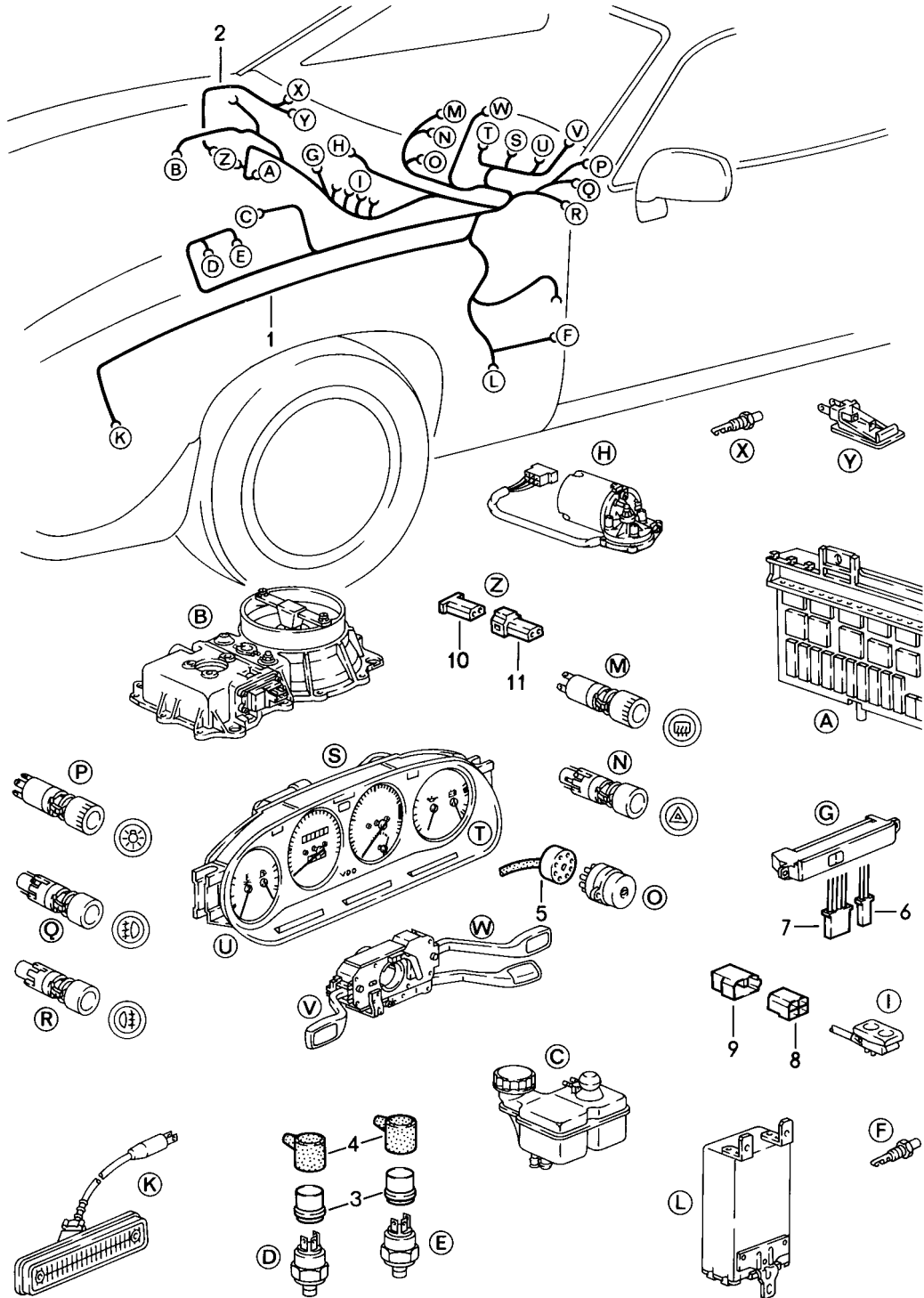
Model: 928 83

Model life 1983>>1986

Pos	Part Number	Description	Remark	Qty	Model
		Wiring harness Lh-jetronic			
(1)	928 607 015 03	Wiring harness	85-	1	M28.43/44
2	944 612 128 00	Protection cap		10	
2	944 612 128 02	Protection cap		10	
4	928 612 817 00	Connector housing		1	
5	928 607 115 00	Wiring harness		1	M28.43/44
6	944 612 417 01	Cap Diagnostic connector	86	1	M28.43/44

Model: 928 83

Model life 1983>>1986

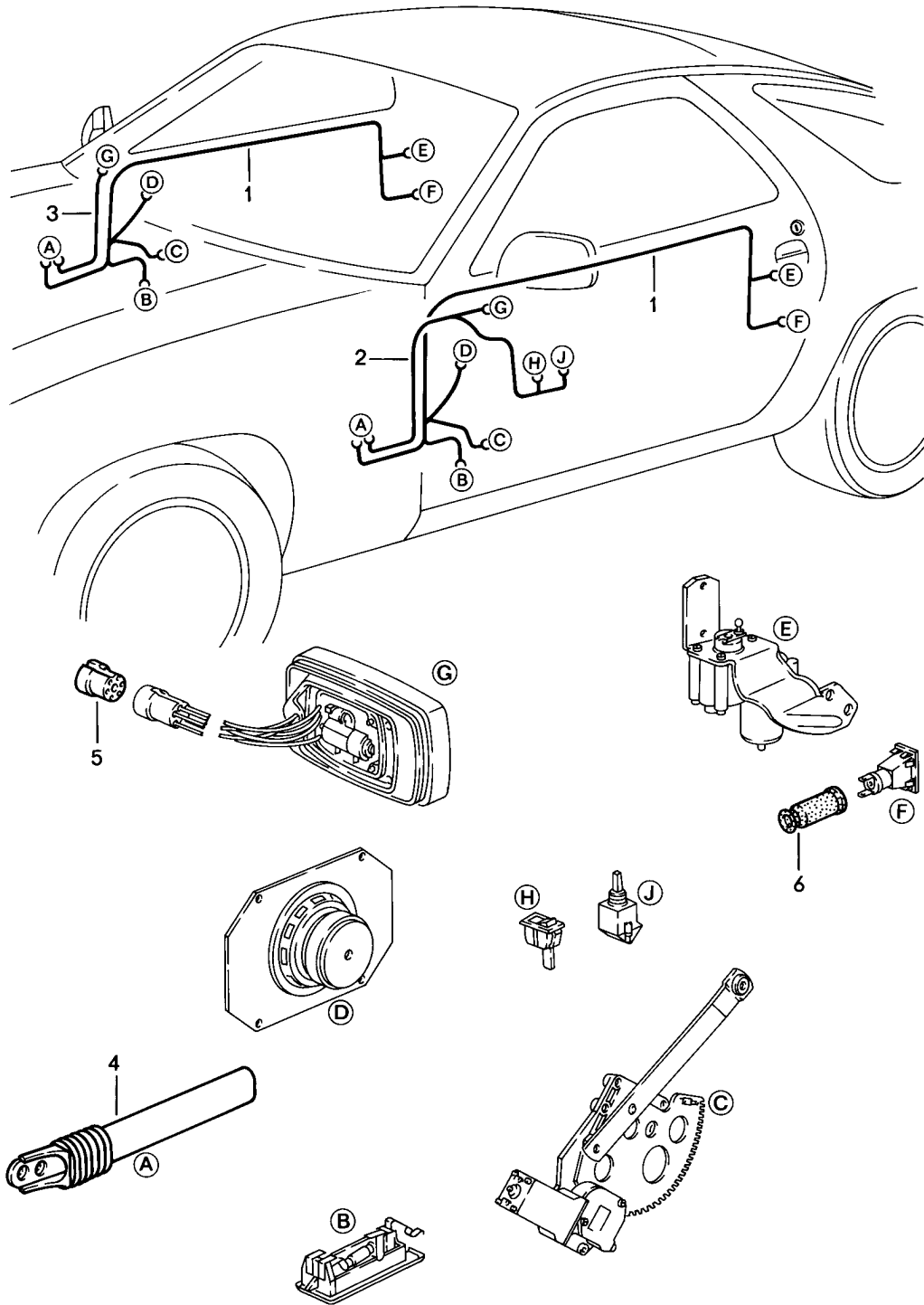


Model: 928 83 Model life 1983>>1986

Pos	Part Number	Description	Remark	Qty	Model
		Wiring harness Dashboard			
1	928 612 003 20	Wiring harness	/LL -83	1	
(1)	928 612 003 21	Wiring harness	/LL 84	1	
(1)	928 612 003 22	Wiring harness	/LL 85	1	
		F >>92FS8 60328			
(1)	928 612 003 25	Wiring harness	/LL	1	
		F 92FS8 60329>>92GS8 60999			
(1)	928 612 003 24	Wiring harness		1	
		F 92GS8 61000>>			
-	928 612 474 01	Plug bridge for cars without Alarm system	85	1	
2	928 612 038 00	Wiring harness Glove compartment light		1	
3	113 945 525	Terminal sleeve housing		2	
4	211 945 521 C	Protection cap		2	
5	911 612 889 00	Connector housing 10-pole		1	
6	171 971 998 A	Connector housing		1	
7	171 971 998 C	Connector housing		1	
8	928 612 414 04	Connector housing		X	
9	928 612 413 00	Connector housing Blue		X	
(9)	928 612 413 03	Connector housing Yellow		X	
10	171 971 999 A	Terminal sleeve housing		1	
11	171 971 998 A	Connector housing Mounting parts		1	
-	999 513 002 40	Tie-wrap -286 MM -		1	
-	N 020 910 4	Tie-wrap -286 MM -		1	
-	999 513 003 40	Tie-wrap -286 MM -		1	
-	999 513 023 40	Tie-wrap -293 MM -		1	
-	999 513 007 40	Tie-wrap -80 MM -		8	
-	999 651 152 02	Cable clamp		1	
-	999 651 152 01	Cable clamp		1	
-	999 591 380 02	Cable clamp		5	
-	477 971 939	Cable terminal		5	
-	PCG 971 939	Cable terminal		5	
-	928 612 091 00	Bridge Central electrical system		1	

Model: 928 83

Model life 1983>>1986



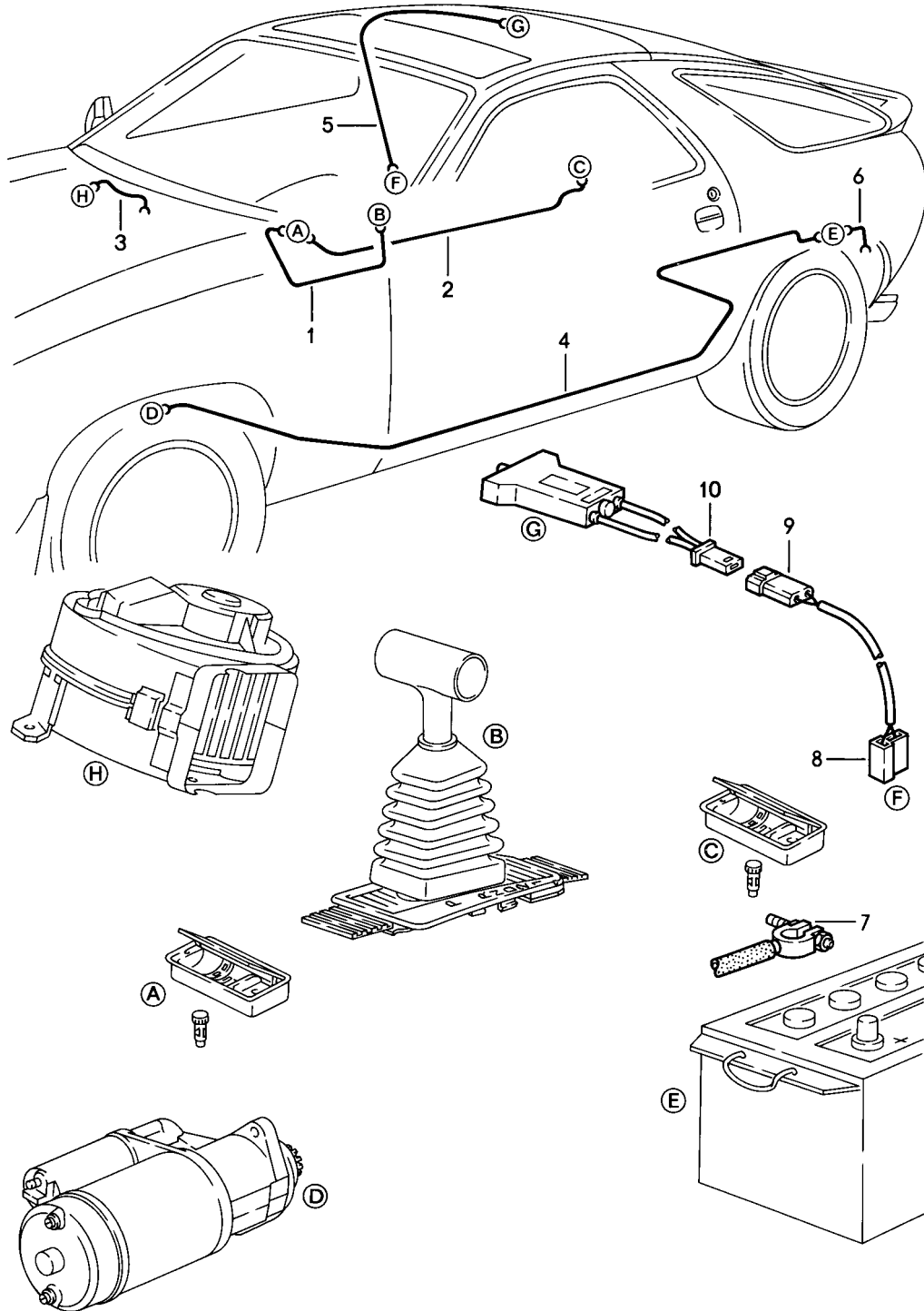
Model: 928 83

Model life 1983>>1986

Pos	Part Number	Description	Remark	Qty	Model
		Wiring harness Door			
1	928 612 167 02	Wiring harness		2	
2	928 612 164 02	Wiring harness Driver's side		1	M261/528
(2)	928 612 163 02	Wiring harness Driver's side		1	
3	928 612 166 02	Wiring harness Passenger's side		1	M261/528
4	928 555 551 02	Cable guide		2	
5	803 971 979	Plug socket 7-pole		2	
-	113 142 261 A	Mounting parts Clip	-83	4	
-	477 971 851	Cable clip	84-	4	
6	999 659 002 50	Rubber cap		2	

Model: 928 83

Model life 1983>>1986



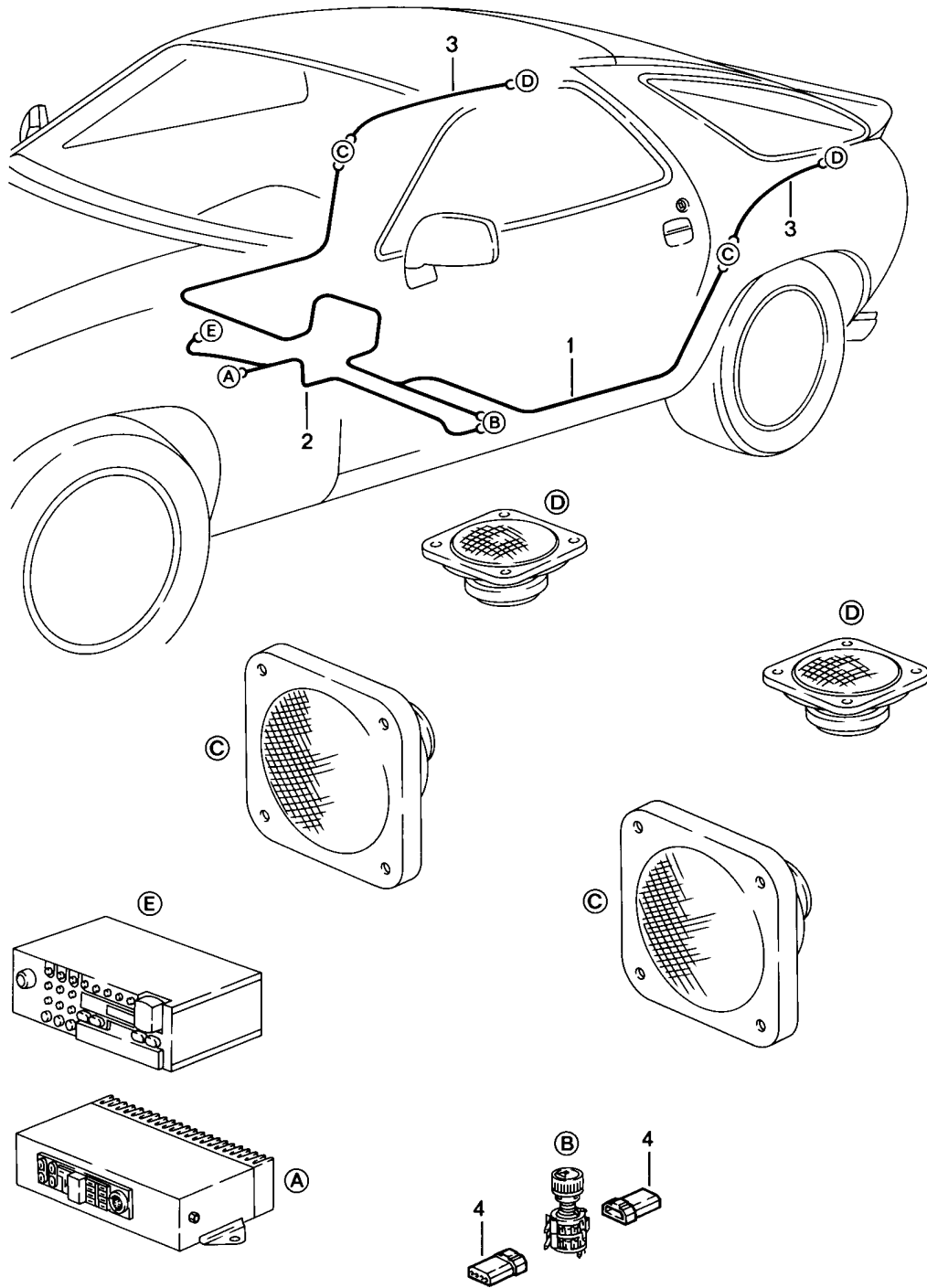
Model: 928 83

Model life 1983>>1986

Pos	Part Number	Description	Remark	Qty	Model
1	928 612 172 01	Wiring harness Passenger compartment Wiring harness Illumination Selector lever	-84	1	M249
2	928 612 020 00	Wiring harness Cigarette lighter Front Cigarette lighter Rear		1	
3	928 612 040 00	Wiring harness Switch Of Fan	/LL	1	
4	928 612 007 01	Wiring harness F >>92GS8 60999		1	
(4)	928 612 007 02	Battery-starter cable F 92GS8 61000>>		1	
5	928 612 006 01	Wiring harness		1	M650
6	928 612 009 13	Ground cable Battery		1	
7	928 611 898 01	Terminal clamp		1	
8	999 652 167 40	Terminal sleeve housing		1	
9	171 971 998 A	Connector housing		1	
10	171 971 999 A	Terminal sleeve housing Mounting parts Battery-starter cable		1	
-	999 513 003 40	Tie-wrap		1	
-	928 612 140 00	Steering gear Cable holder	-85	1	
-	N 012 234 5	Link bearing Spring washer B 7		1	
-	900 187 016 02	Hexagon-head tapping screw 6,3 X 13		1	
-	928 612 902 00	Clamp Bracket		10	
-	999 511 156 00	Clamp 13/15 W 5		13	
-	999 591 839 40	F 92GS8 61000>> Plastic nut T 5 F 92GS8 61000>>		13	
-	999 702 124 50	Floor section Grommet		1	
-	999 044 001 02	Ground cable Winged nut		1	
-	N 012 241 8	Spring washer B 8		1	
-	900 151 008 02	Washer A 8,4		1	
-	999 702 128 50	Dummy grommet 8 X 10 X 15		1	

Model: 928 83

Model life 1983>>1986



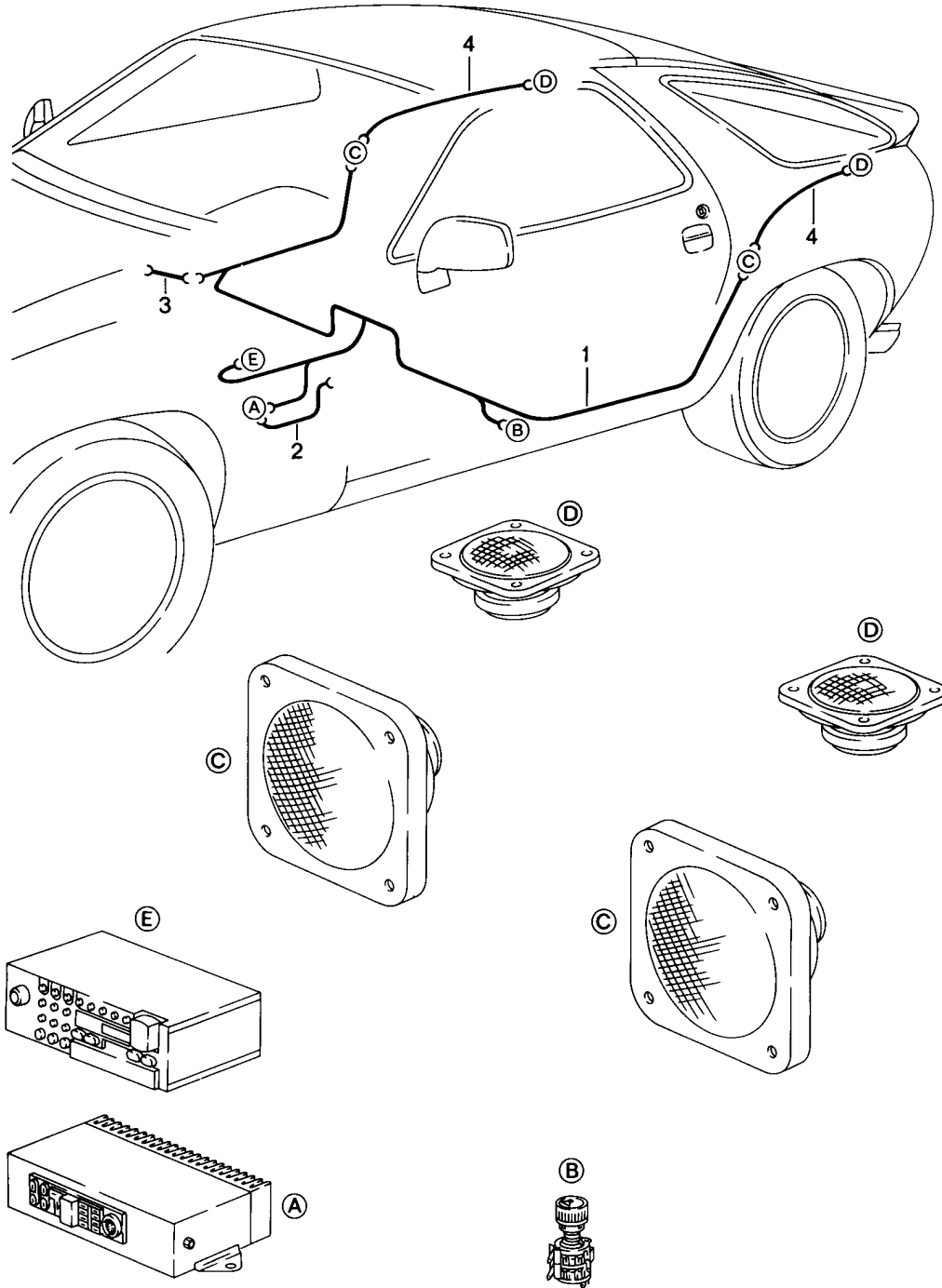
Model: 928 83

Model life 1983>>1986

Pos	Part Number	Description	Remark	Qty	Model
		Wiring harness Loudspeaker F >>92GS8 60999			
1	928 612 067 02	Wiring harness	/LL -85	1	
2	928 612 068 02	Wiring harness	/LL -84	1	M494
(2)	928 612 068 03	Wiring harness	/LL 85	1	M494
3	928 612 069 00	Wiring harness		2	M490
4	171 971 998 C	Connector housing		2	
-	944 612 853 01	Tie-wrap		4	

Model: 928 83

Model life 1983>>1986



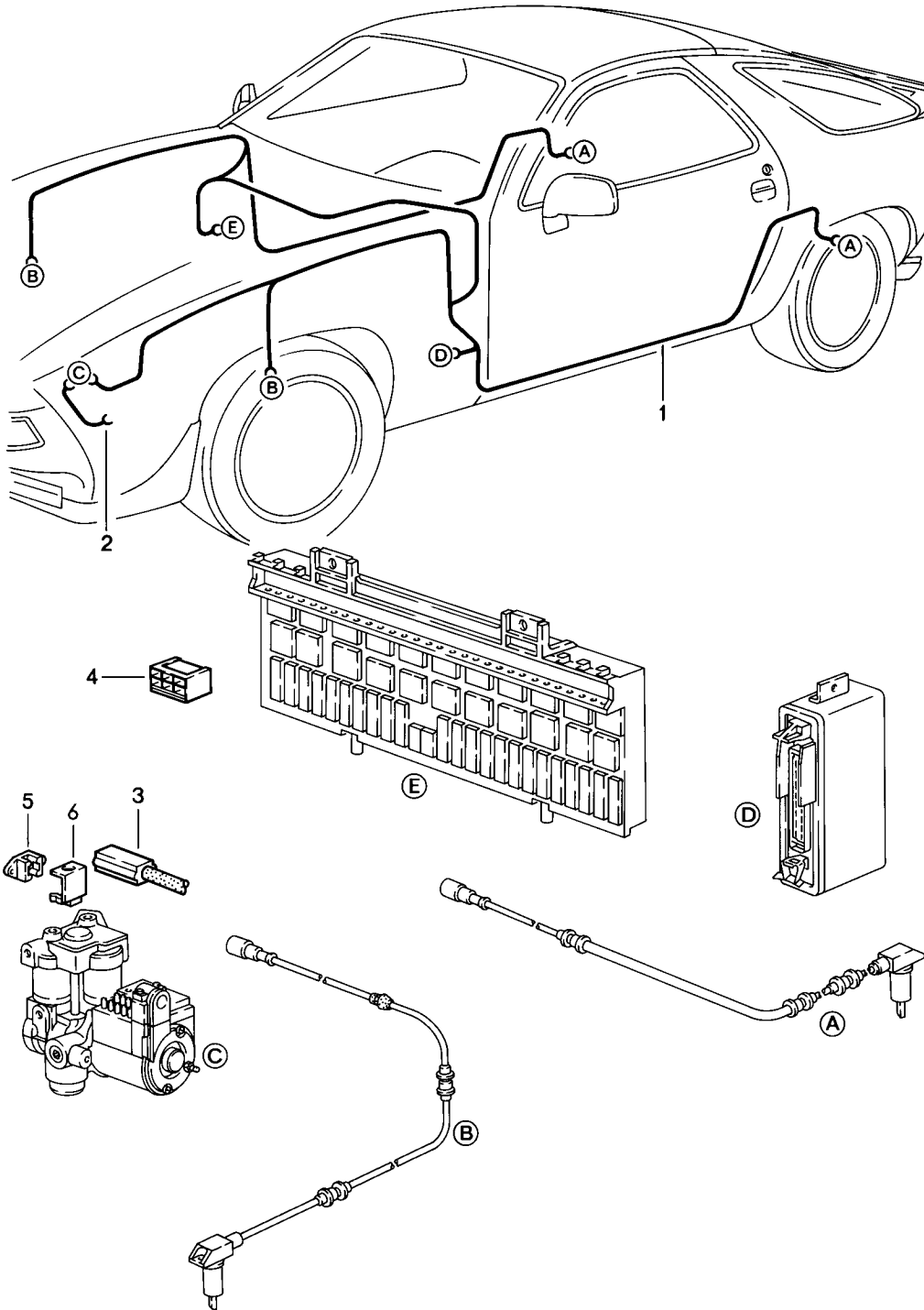
Model: 928 83

Model life 1983>>1986

Pos	Part Number	Description	Remark	Qty	Model
		Wiring harness Loudspeaker F 92GS8 61000>>	86-		
1	928 612 066 01	Wiring harness		1	M158
(1)	928 612 068 05	Wiring harness		1	M158/494
2	928 612 065 00	Wiring harness		1	M494
4	928 612 069 00	Wiring harness		1	M490

Model: 928 83

Model life 1983>>1986



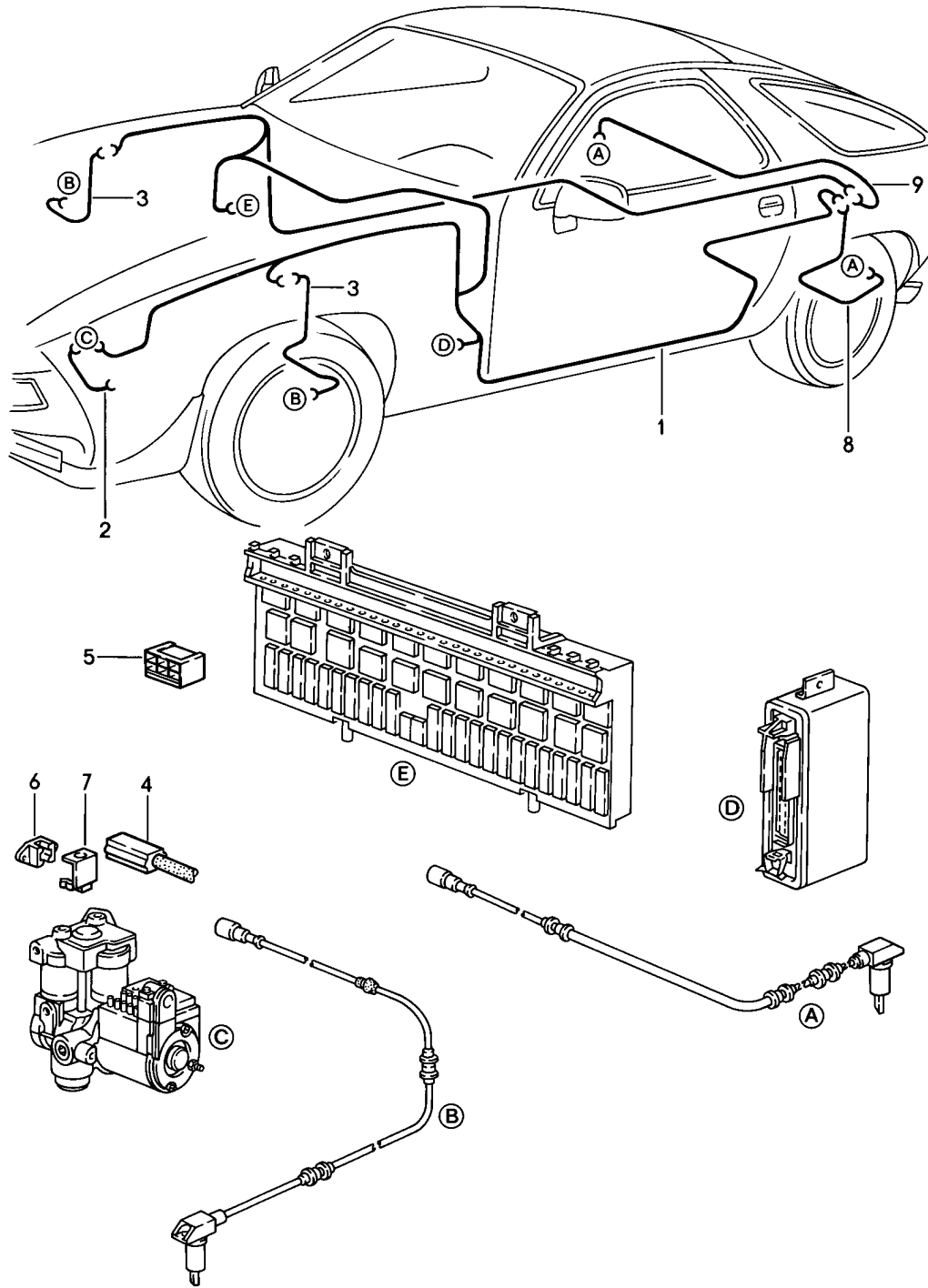
Model: 928 83

Model life 1983>>1986

Pos	Part Number	Description	Remark	Qty	Model
		Wiring harness Anti-lock brake system F 92GS8 60061>>92GS8 60999			
1	928 612 121 03	Wiring harness		1	
2	928 612 189 01	Ground strap		1	
3	928 612 423 00	Connector housing		1	
4	161 971 975 A	Flat connector socket		1	
5	928 612 867 00	Cable connection F 92GS8 60061>>		1	
6	928 612 874 00	Cap F 92GS8 60061>>		1	

Model: 928 83

Model life 1983>>1986



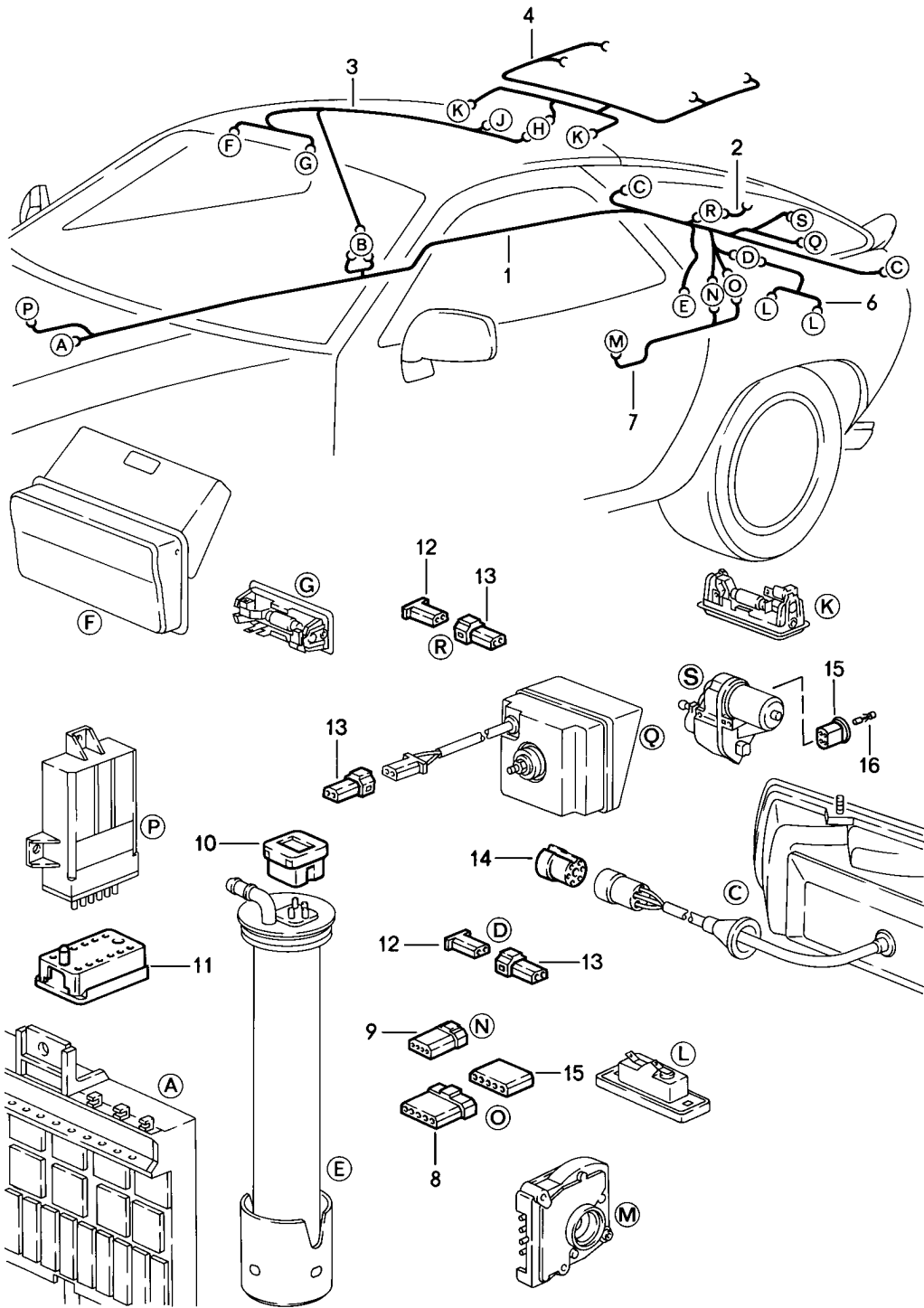
Model: 928 83

Model life 1983>>1986

Pos	Part Number	Description	Remark	Qty	Model
		Wiring harness Anti-lock brake system F 92GS8 61000>>	86		
1	928 612 121 05	Wiring harness		1	
2	928 612 189 01	Ground strap		1	
3	928 612 403 00	Wiring harness		2	
4	928 612 423 00	Connector housing 12-pole		1	
5	161 971 975 A	Flat connector socket		1	
6	928 612 867 00	Cable connection		1	
7	928 612 874 00	Cap		1	
8	928 612 405 00	Wiring harness	/L	1	
9	928 612 406 00	Wiring harness	/R	1	

Model: 928 83

Model life 1983>>1986



Model: 928 83 Model life 1983>>1986

Pos	Part Number	Description	Remark	Qty	Model
		Wiring harness Rear end			
(1)	928 612 004 22	Wiring harness	/LL 85	1	M481
(1)	928 612 004 27	Wiring harness	86	1	M481
		F 92GS8 60061>>92GS8 60999			
(1)	928 612 004 25	Wiring harness	86	1	M481
		F 92GS8 61000>>			
(1)	928 612 004 24	Wiring harness	/LL 85	1	M249
(1)	928 612 004 28	Wiring harness	86	1	M249
		F 92GS8 60061>>92GS8 60999			
(1)	928 612 004 26	Wiring harness	86	1	M249
		F 92GS8 61000>>			
(1)	928 612 004 19	Wiring harness	83	1	
		F 92DS8 62069>>			
(1)	928 612 004 21	Wiring harness	84	1	
-	N 100 641 01	Safety fuse T 1,0 B		1	
		Rear lid release			
-	928 612 479 00	Fuse holder Rear lid release		1	
2	928 612 037 00	Wiring harness	-83	1	
(2)	928 612 037 01	Wiring harness	84	1	
(3)	928 612 008 03	Wiring harness	-85	1	
(3)	928 612 008 06	Wiring harness	86	1	
4	928 612 005 02	Wiring harness	84	1	
			85		
(4)	928 612 005 04	Wiring harness	86	1	
		F 92GS8 60061>>92GS8 60999			
(4)	928 612 005 03	Wiring harness		1	
		F 92GS8 61000>>	86		
-	928 612 494 00	Foam part	86	1	
6	928 612 039 00	Wiring harness	-83	1	
(6)	928 612 039 01	Wiring harness	84-	1	
(7)	928 612 012 03	Wiring harness 4-speed	84	1	M249
(7)	928 612 012 05	Wiring harness 4-speed	85	1	M249
(7)	928 612 012 06	Wiring harness 4-speed	86	1	M249
7	928 612 016 01	Wiring harness Back-up light	-84	1	M481
(7)	928 612 016 02	Wiring harness Back-up light	85-	1	M481
-	928 612 072 00	Wiring harness	84-	1	
8	171 971 998 E	In-tank fuel pump Connector housing 6-pole		1	
9	171 971 998 C	Connector housing 4-pole		1	
10	901 612 891 01	Connector housing 3-pole		1	
11	928 612 423 00	Connector housing 12-pole		1	
12	171 971 999 A	Terminal sleeve housing 2-pole		1	
13	171 971 998 A	Connector housing 2-pole		1	
14	803 971 979	Plug socket		2	
15	928 612 131 00	Connector housing		1	
16	999 652 269 12	Contact spring		4	
		Mounting parts Transmission			
-	999 651 160 02	Cable holder		2	

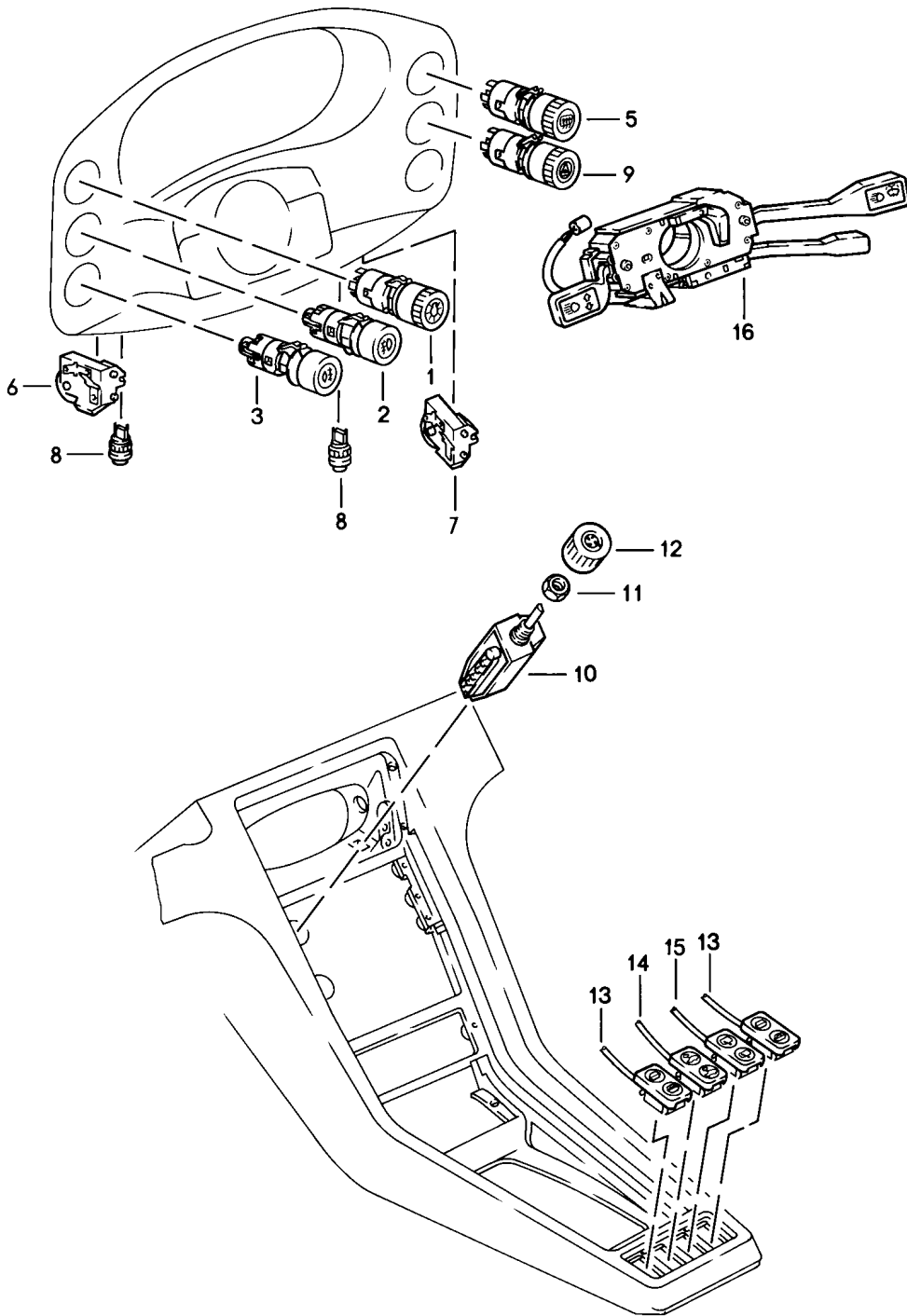
Model: 928 83

Model life 1983>>1986

Pos	Part Number	Description	Remark	Qty	Model
-	928 612 493 00	Cable holder		1	M249
-	999 651 168 40	Cable holder		1	M249
-	113 941 189	Grommet		1	
		Sender			
		Speedometer			
-	999 651 158 02	Cable holder		1	
		Sender			
		Speedometer			
		Wheel housing			
-	999 513 021 40	Tie-wrap		1	
		Rear lid			
-	477 971 939	Cable terminal		5	
-	PCG 971 939	Cable terminal		5	
-	999 591 380 02	Cable clamp		5	

Model: 928 83

Model life 1983>>1986



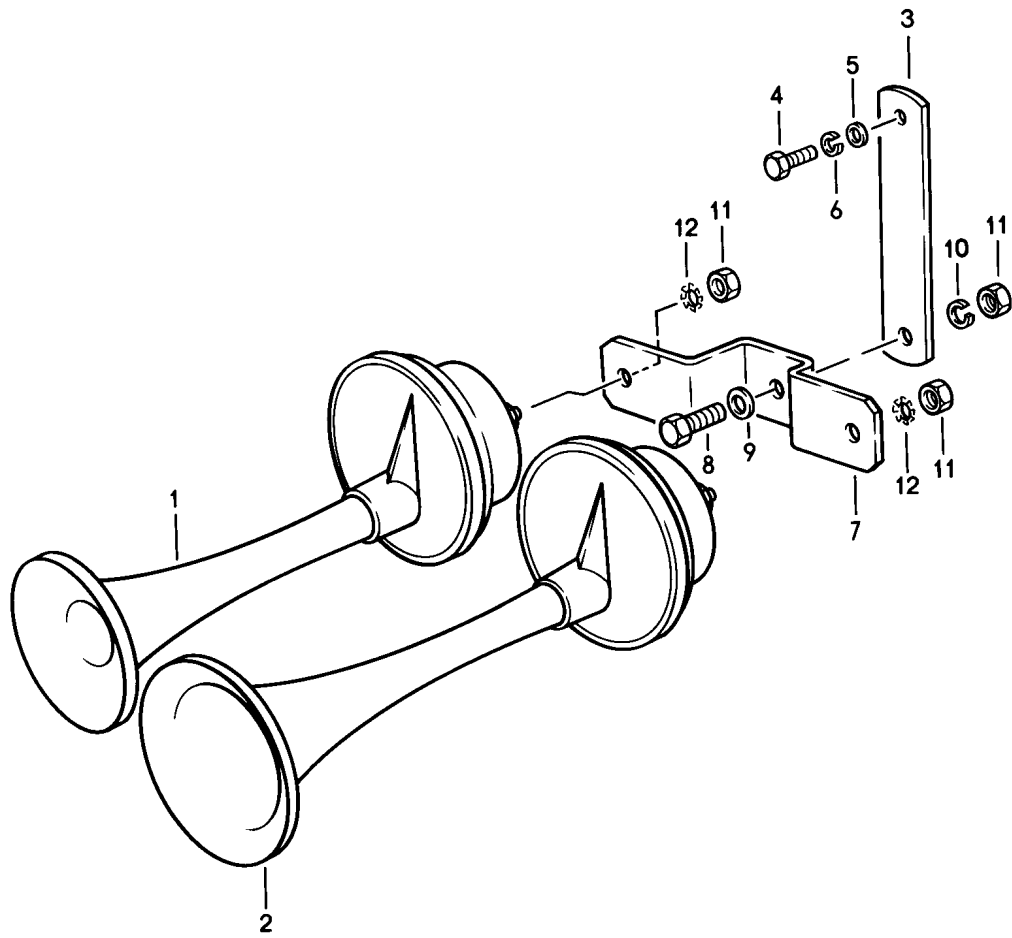
Model: 928 83

Model life 1983>>1986

Pos	Part Number	Description	Remark	Qty	Model
1	928 613 103 00	Switch Manually Combined switch for light	(CDN)	1	
1		Combined switch for light	(USA)	1	
2	928 613 111 00	Switch Fog headlamp		1	
(3)	928 613 125 00	Push-button Trip meter		1	
5	928 613 107 01	Combined switch Rear window heating		1	
6	928 613 121 01	Potentiometer Illumination		1	
7	928 613 122 00	Potentiometer Wipe interval		1	
8	928 613 124 00	Push-button Trip meter		1	
(8)		Push-button Intensive windscreen washer		1	
9	928 613 105 01	Hazard warning light sw.		1	
10	928 613 127 00	Blower switch		1	
11	999 034 007 02	Hexagon flat nut M 12 X 1		1	
12	928 613 731 01	Rotary knob Blower switch		1	
-	999 591 434 02	Spring Blower switch		1	
13	928 613 123 05	Tip switch for window opener		2	
14	928 613 120 00	Tip switch Sunroof		1	M650
(15)	928 613 129 03	Tip switch Rear window wiper		1	
(15)	928 613 123 04	Display specimen Door mirror switch See group 8/09/10		1	
(16)	928 613 101 06	Steering column switch Steering column switch with Cruise control with Headlight washer system Lettering English		1	
-	999 651 165 02	Cable clamp		1	

Model: 928 83

Model life 1983>>1986



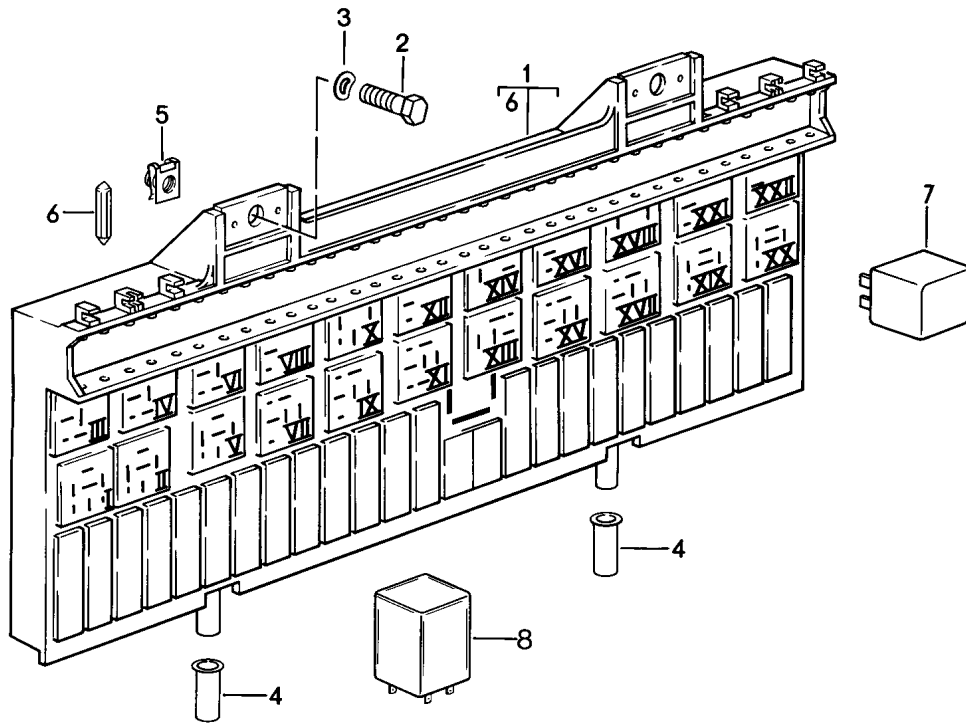
Model: 928 83

Model life 1983>>1986

Pos	Part Number	Description	Remark	Qty	Model
1	911 635 101 20	Fanfare Fanfare High-pitched		1	
1	911 635 101 21	Fanfare Short High-pitched		1	
2	911 635 102 20	Fanfare Long Low-pitched		1	
2	911 635 102 21	Fanfare Long Low-pitched		1	
3	928 635 101 00	Support		1	
4	900 075 087 02	Hexagon-head bolt M 8 X 16		1	
4	900 075 087 03	Hexagon-head bolt M 8 X 16		1	
5	900 025 007 02	Washer 8,4		1	
5	900 025 007 03	Washer 8,4		1	
6	900 027 015 02	Lock ring B 8		1	
6	900 027 015 03	Lock ring B 8		1	
7	928 635 103 01	Support		1	
8	900 075 057 02	Hexagon-head bolt M 6 X 16		1	
8	900 075 057 03	Hexagon-head bolt M 6 X 16		1	
9	N 011 524 7	Washer A 6,4		1	
9	N 011 524 27	Washer A 6,4		1	
10	N 012 006 4	Lock ring B 6		1	
11	900 076 010 02	Nut M 6		2	
11	900 076 010 0B	Nut M 6		2	
12	N 042 121 3	Shake-proof washer A 6,4		2	

Model: 928 83

Model life 1983>>1986



Model: 928 83 Model life 1983>>1986

Pos	Part Number	Description	Remark	Qty	Model
		Central electrical system	-84		
		Relay			
		Lock			
1	928 610 105 06	Mounting plate	83	1	
(1)	928 610 105 07	Mounting plate	84	1	
2	900 075 014 02	Hexagon-head bolt	-84	2	
		M 6 X 18			
2	900 075 014 03	Hexagon-head bolt	-84	2	
		M 6 X 18			
3	N 012 226 5	Spring washer	-84	2	
		A 6,4			
4	928 628 287 00	Grommet	-84	2	
5	999 507 246 02	Speed nut	-84	2	
		M 6			
5	999 507 246 01	Speed nut		2	
		M 6			
6	N 017 121 1	Safety fuse		X	
		8 AMP.			
(6)	N 017 121 4	Lock		X	
		16 AMP.			
(6)	N 017 121 5	Lock		X	
		25 AMP.			
(6)	900 321 002 90	Safety fuse		2	
		T 0,40 B			
		Central locking system			
7		Relay	-83	X	
(7)	928 615 115 00	Slow-action relay		1	
		Rear window heating			
		Relay socket/code:	I-II		
(7)	111 953 227 D	Flasher relay		1	
		Relay socket/code:	V		
(7)	191 953 227 A	Flasher relay		1	
		Relay socket/code:	V		
(7)	1H0 953 227	Flasher relay		1	
		Relay socket/code:	V		
(7)	928 615 131 00	Flasher relay		1	
		Trailer coupling			
		Relay socket/code:	V		
(7)	928 615 116 00	Relay		1	
		for window opener			
		Relay socket/code:	VI		
(7)	928 615 116 01	Relay		1	
		for window opener			
		Relay socket/code:	VI		
(7)	928 618 111 00	Relay		1	
		Headlight washer system			
		Relay socket/code:	VII		
(7)	928 615 125 01	Bridge		1	
		Manual transmission	(CDN) (USA)	1	
		Relay socket/code:	IX		
(7)	928 618 109 00	Relay		1	M249
		Kickdown			
		Relay socket/code:	IX		
(7)	141 951 253 B	Relay		1	
		Horn			
		Relay socket/code:	X		
(7)	928 615 137 01	Relay		1	
		Fog headlamp			
		Relay socket/code:	XII		
(7)	993 615 101 00	Switch unit		1	
		Wipe interval			
		Relay socket/code:	XIII		

Model: 928 83 Model life 1983>>1986

Pos	Part Number	Description	Remark	Qty	Model
(7)	993 615 101 01	Switch unit Wipe interval		1	
(7)	928 612 473 00	Relay socket/code: Plug bridge Starter	XIII	1	
(7)	141 951 253 B	Relay socket/code: Relay Starter	XIV	1	M249
(7)	928 618 113 01	Relay socket/code: Relay Intensive windscreen washer	XIV	1	
(7)	928 618 113 02	Relay socket/code: Relay Intensive windscreen washer	XV	1	XV
(7)	928 615 119 00	Relay L-jetronic		1	
(7)	928 615 119 01	Relay socket/code: Relay L-jetronic	XVI	1	
(7)	928 615 113 01	Relay socket/code: Relay Fuel pump	XVI	1	
(7)	141 951 253 B	Relay socket/code: Relay Blower Air conditioner	XVII	1	
(7)	928 618 107 02	Relay socket/code: Relay Pop-up headlight	XVIII	1	
(7)	928 618 107 05	Relay socket/code: Relay Pop-up headlight	XIX	1	
(7)	928 618 107 02	Relay socket/code: Relay Pop-up headlight	XIX	1	
(7)	928 618 107 05	Relay socket/code: Relay Pop-up headlight	XX	1	
(7)	141 951 253 B	Relay socket/code: Relay Blower	XX	1	
(7)		Relay socket/code: Relay Defroster	XXI	1	
(7)	928 615 115 00	Relay socket/code: Relay Slow-action relay Rear window heating	XXII 84	1	
(7)	141 951 253 B	Relay socket/code: Relay for window opener	I-II	1	
(7)		Relay socket/code: Relay for window opener	III	1	M553 M193/533
(7)	111 953 227 D	Relay socket/code: Flasher relay	IV	1	
(7)	191 953 227 A	Relay socket/code: Flasher relay	V	1	
(7)	1H0 953 227	Relay socket/code: Flasher relay	V	1	
(7)	928 615 131 00	Relay socket/code: Flasher relay Trailer coupling	V	1	

Model: 928 83 Model life 1983>>1986

Pos	Part Number	Description	Remark	Qty	Model
(7)	928 615 116 00	Relay socket/code: Relay for window opener	V	1	
(7)	928 615 116 01	Relay socket/code: Relay for window opener	VI	1	
(7)	928 618 111 00	Relay socket/code: Relay Headlight washer system	VI	1	
(7)	928 618 109 00	Relay socket/code: Relay Kickdown	VII	1	M553
(7)	928 615 125 01	Relay socket/code: Bridge Manual transmission	IX	1	
(7)	141 951 253 B	Relay socket/code: Relay Fanfare	IX	1	
(7)	928 615 137 01	Relay socket/code: Relay Starter	X	1	M215
(7)		Relay socket/code: Relay Fog headlamp	XII	1	M553
(7)	993 615 101 00	Relay socket/code: Switch unit Windscreen wiper system	XII	1	
(7)	993 615 101 01	Relay socket/code: Switch unit Windscreen wiper system	XIII	1	
(7)	141 951 253 B	Relay socket/code: Relay Starter	XIII	1	M249
(7)	928 612 473 00	Relay socket/code: Plug bridge Starter	XIV	1	
(7)	928 618 113 01	Relay socket/code: Relay Intensive windscreen washer	XIV	1	
(7)	928 618 113 02	Relay socket/code: Relay Intensive windscreen washer	XV	1	XV
(7)	928 615 119 00	Relay socket/code: Relay L-jetronic		1	
(7)	928 615 119 01	Relay socket/code: Relay L-jetronic	XVI	1	
(7)	928 615 113 01	Relay socket/code: Relay Fuel pump	XVI	1	
(7)	141 951 253 B	Relay socket/code: Relay Fan	XVII	1	
(7)	928 618 107 02	Relay socket/code: Relay for light	XVIII	1	
(7)	928 618 107 05	Relay socket/code: Relay for light	XIX	1	
(7)	928 618 107 02	Relay socket/code: Relay for light	XIX	1	
		Relay socket/code:	XX		

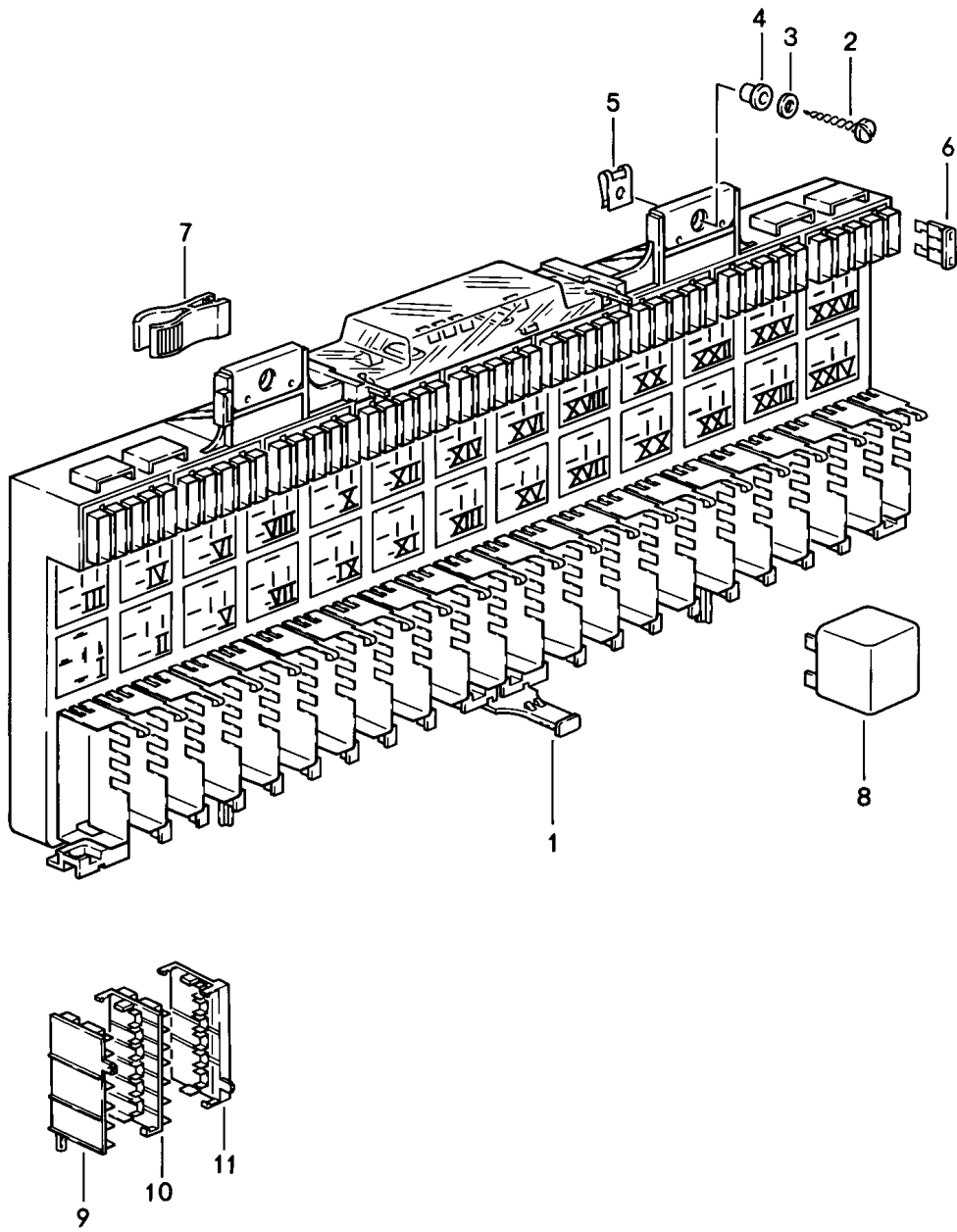
Model: 928 83

Model life 1983>>1986

Pos	Part Number	Description	Remark	Qty	Model
(7)	928 618 107 05	Relay for light		1	
(7)	141 951 253 B	Relay socket/code: Relay Blower	XX	1	
(7)		Relay socket/code: Relay Defroster	XXI	1	
(7)	928 612 091 00	Relay socket/code: Bridge Alarm system	XXII	1	
		Relay socket/code: Relay Seat adjuster See group 8/08/15	Z		
8	928 618 102 03	Relay Centre console Warning time relay Seat belt		1	
(8)	928 618 104 00	Relay Rear window wiper		1	
(8)	911 617 119 00	Switch unit Emission control	(J)	2	

Model: 928 83

Model life 1983>>1986



Model: 928 83 Model life 1983>>1986

Pos	Part Number	Description	Remark	Qty	Model
		Central electrical system Relay Lock F >>92FS8 60328 See technical information	85-		
1	928 610 105 09	Mounting plate F >>92GS8 60999		1	
(1)	928 610 105 13	Mounting plate F 92GS8 61000>>		1	
2	N 013 935 2	Tapping screw BZ 6,3 X 25		2	
3	N 902 076 01	Washer 6,4 X 17 X 1,6		2	
4	928 628 287 00	Grommet		2	
5	999 507 034 02	Speed nut B 6,3		2	
6	999 607 001 00	Lock 1 AMP.		X	
(6)	999 607 004 00	Lock 5 AMP.		X	
(6)	999 607 005 00	Lock 7,5 AMP.		X	
(6)	999 607 083 00	Lock 7,5 AMP.		X	
(6)	N 017 131 11	Lock 10 AMP.		X	
(6)	999 607 007 00	Lock 15 AMP.		X	
(6)	999 607 085 00	Lock 15 AMP.		X	
(6)	N 017 131 13	Lock 20 AMP.		X	
(6)	999 607 009 00	Lock 25 AMP.		X	
(6)	999 607 087 00	Lock 25 AMP.		X	
(6)	999 607 010 00	Lock 30 AMP.		X	
(6)	999 607 088 00	Lock 30 AMP.		X	
7	443 941 802	Tool		1	
8		Relay F 92GS8 60061>>92GS8 61000	85 86		
(8)	928 615 115 00	Slow-action relay Rear window heating Relay socket/code:		1	
(8)	141 951 253 B	Relay X-contact	I-11	1	
(8)	111 953 227 D	Relay socket/code: Flasher relay	V	1	
(8)	191 953 227 A	Relay socket/code: Flasher relay	V	1	
(8)	1H0 953 227	Relay socket/code: Flasher relay	V	1	
(8)	928 615 131 00	Relay socket/code: Flasher relay Trailer coupling	V	1	M208
(8)	928 615 126 00	Relay socket/code: Relay for window opener	V	1	
(8)	928 615 126 02	Relay socket/code: Relay	VI	1	

Model: 928 83 Model life 1983>>1986

Pos	Part Number	Description	Remark	Qty	Model
(8)	993 615 101 00	for window opener Relay socket/code: Switch unit Windscreen wiper system	VI	1	
(8)	993 615 101 01	Relay socket/code: Switch unit Windscreen wiper system	VII	1	
(8)	928 615 203 00	Relay socket/code: Relay Defroster	VII	1	
(8)	928 618 113 01	Relay socket/code: Relay Intensive windscreen washer	VIII	1	
(8)	928 618 113 02	Relay socket/code: Relay Intensive windscreen washer	IX	1	IX
(8)	141 951 253 B	Relay Blower		1	
(8)	928 618 223 00	Relay socket/code: Interference-suppr. choke	X	1	
(8)	141 951 253 B	Relay socket/code: Relay Fanfare	XI	1	
(8)	928 615 137 01	Relay socket/code: Relay Fog headlamp	XII	1	M553 M215
(8)	141 951 253 B	Relay socket/code: Relay Starter	XIII	1	
(8)	928 618 109 00	Relay socket/code: Relay Kickdown	XIV	1	M249
(8)	141 951 253 B	Relay socket/code: Relay EZF	XV	1	
(8)	928 615 124 01	Relay socket/code: Relay Anti-lock brake system F 92GS8 60061>>92GS8 60999	XVI	1	
(8)	928 615 124 03	Relay socket/code: Relay Anti-lock brake system F 92GS8 60061>>92GS8 60999	XVII	1	
(8)	141 951 253 B	Relay socket/code: Relay Fan	XVII	1	
(8)	928 618 111 00	Relay socket/code: Relay Headlight washer system	XVIII	1	
(8)	141 951 253 B	Relay socket/code: Relay Fuel pump	XIX	1	
(8)		Relay socket/code: Relay Back-up light	XX	1	M249
(8)	928 615 125 00	Relay socket/code: Bridge Back-up light	XXII	1	M481
(8)	928 618 107 02	Relay socket/code: Relay for light	XXII	1	
(8)	928 618 107 05	Relay socket/code: Relay	XXIII	1	

Model: 928 83 Model life 1983>>1986

Pos	Part Number	Description	Remark	Qty	Model
(8)	928 618 107 02	for light Relay socket/code: Relay for light	XXIII	1	
(8)	928 618 107 05	Relay socket/code: Relay for light	XXIV	1	
(8)	141 951 253 B	Relay socket/code: Relay Lh-jetronic	XXIV	1	
(8)	928 615 115 00	Relay socket/code: Relay F 92GS8 61000>> Slow-action relay Rear window heating	XXV 86	1	
(8)	141 951 253 B	Relay socket/code: Relay X-contact	I-II	1	
(8)	111 953 227 D	Relay socket/code: Flasher relay	IV	1	
(8)	191 953 227 A	Relay socket/code: Flasher relay	V	1	
(8)	1H0 953 227	Relay socket/code: Flasher relay	V	1	
(8)	928 615 131 00	Relay socket/code: Flasher relay Trailer coupling	V	1	M208
(8)	928 615 126 00	Relay socket/code: Relay for window opener	V	1	
(8)	928 615 126 02	Relay socket/code: Relay for window opener	VI	1	
(8)	993 615 101 00	Relay socket/code: Switch unit Windscreen wiper system	VI	1	
(8)	993 615 101 01	Relay socket/code: Switch unit Windscreen wiper system	VII	1	
(8)	928 615 203 00	Relay socket/code: Relay Defroster	VII	1	
(8)	928 618 113 01	Relay socket/code: Relay Intensive windscreen washer	VIII	1	
(8)	928 618 113 02	Relay socket/code: Relay Intensive windscreen washer	IX	1	IX
(8)	141 951 253 B	Relay socket/code: Relay Blower		1	
(8)	928 618 223 00	Relay socket/code: Interference-suppr. choke	X	1	
(8)	141 951 253 B	Relay socket/code: Relay Fanfare	XI	1	
(8)	928 615 137 01	Relay socket/code: Relay Fog headlamp	XII	1	
(8)	141 951 253 B	Relay socket/code: Relay Starter	XIII	1	
(8)	928 618 109 01	Relay socket/code: Relay	XIV	1	M249

Model: 928 83 Model life 1983>>1986

Pos	Part Number	Description	Remark	Qty	Model
(8)	141 951 253 B	for kick-down Relay socket/code: Relay EZF	XV	1	
(8)	928 615 124 01	Relay socket/code: Relay Anti-lock brake system	XVI	1	
(8)	928 615 124 03	Relay socket/code: Relay Anti-lock brake system	XVII	1	
(8)	141 951 253 B	Relay socket/code: Relay Fan	XVII	1	
(8)	928 618 111 00	Relay socket/code: Relay Headlight washer system	XVIII	1	
(8)	141 951 253 B	Relay socket/code: Relay Fuel pump	XIX	1	
(8)	928 618 225 01	Relay socket/code: Relay Interior light	XX	1	
(8)	928 615 125 00	Relay socket/code: Bridge Back-up light	XXI	1	M481
(8)	141 951 253 B	Relay socket/code: Relay Back-up light	XXII	1	M249
(8)	928 618 107 02	Relay socket/code: Relay Headlamp	XXII	1	
(8)	928 618 107 05	Relay socket/code: Relay Headlamp	XXIII	1	
(8)	928 618 107 02	Relay socket/code: Relay Headlamp	XXIII	1	
(8)	928 618 107 05	Relay socket/code: Relay Headlamp	XXIV	1	
(8)	141 951 253 B	Relay socket/code: Relay Lh-jetronic	XXIV	1	
(8)		Relay socket/code: Relay Seat adjuster See group 8/08/15	XXV	1	
-	928 618 102 03	Relay Centre console Warning time relay		1	
-	928 618 104 00	Relay Seat belt		1	
-	911 617 119 00	Rear window wiper Switch unit	(J)	2	
9	928 612 331 00	Emission control Initial housing Red		8	
(9)		Initial housing Black		13	
10	928 612 332 00	Module housing		21	
11	928 612 335 25	Coding element -A-		1	

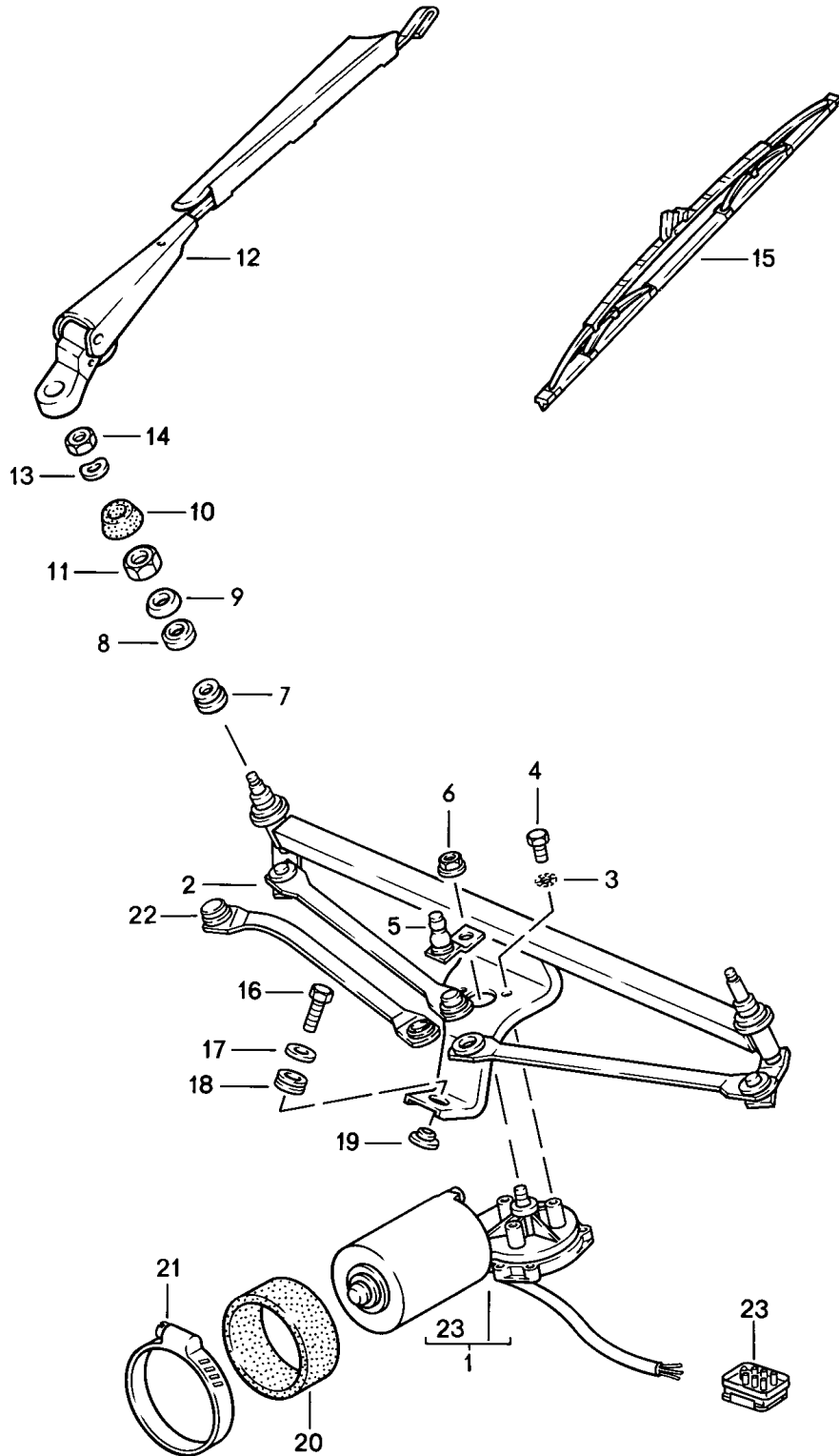
Model: 928 83

Model life 1983>>1986

Pos	Part Number	Description	Remark	Qty	Model
(11)		Coding element -B-		1	
(11)		Coding element -C-		1	
(11)		Coding element -D-		1	
(11)		Coding element -E-		1	
(11)		Coding element -F-		1	
(11)		Coding element -G-		1	
(11)		Coding element -H-		1	
(11)		Coding element -J-		1	
(11)		Coding element -K-		1	
(11)		Coding element -L-		1	
(11)		Coding element -M-		1	
(11)		Coding element -N-		1	
(11)		Coding element -O-		1	
(11)		Coding element -P-		1	
(11)		Coding element -Q-		1	
(11)		Coding element -R-		1	
(11)		Coding element -S-		1	
(11)		Coding element -T-		1	
(11)		Coding element -U-		1	
(11)		Coding element -V-		1	
(11)		Coding element -W-		1	

Model: 928 83

Model life 1983>>1986

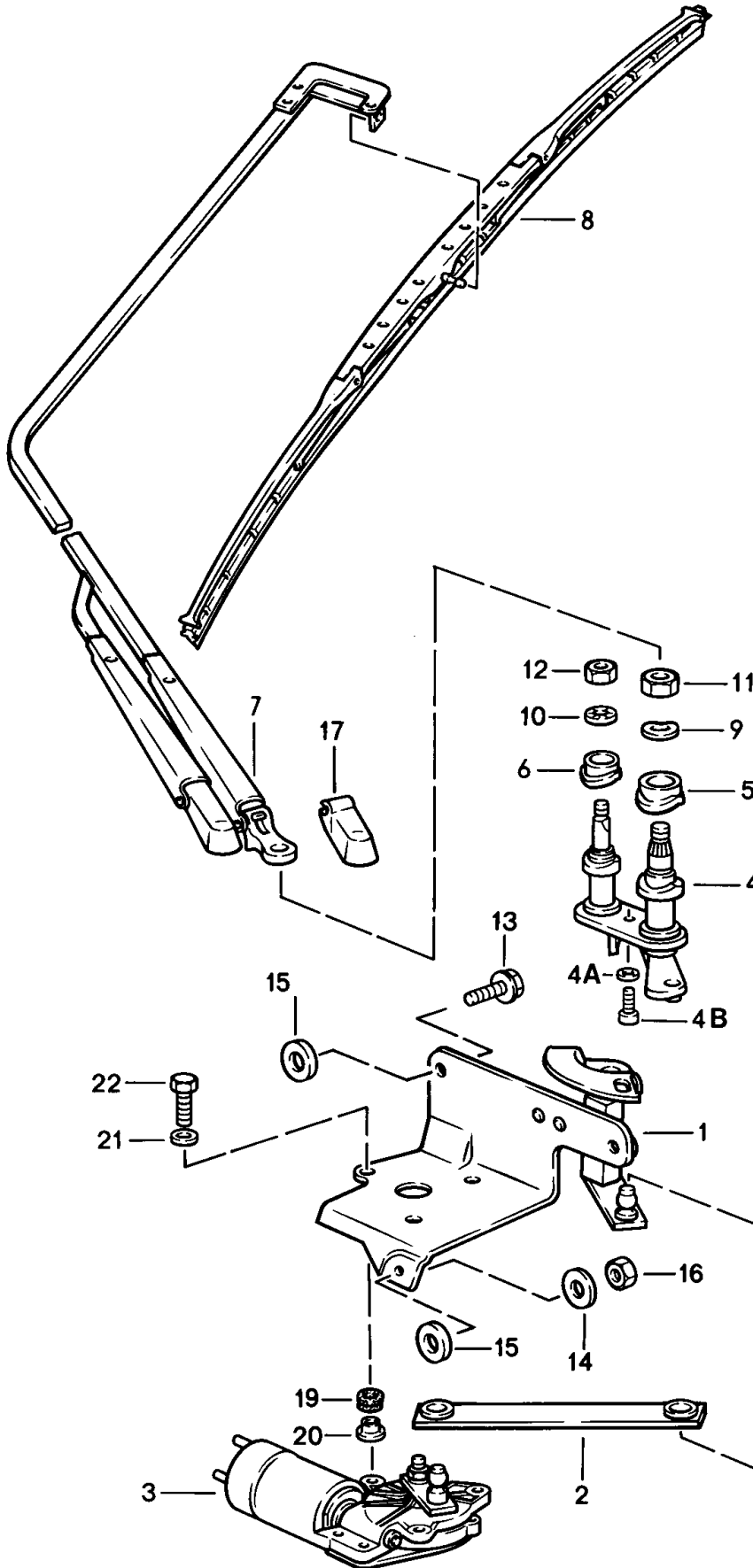


Model: 928 83 Model life 1983>>1986

Pos	Part Number	Description	Remark	Qty	Model
		Windscreen wiper system			
1	928 628 303 02	Wiper motor	/LL -84	1	
(1)	944 628 303 01	Wiper motor	/LL 85-	1	
2	928 628 932 00	Crank drive	/LL -84	1	
(2)	928 628 221 01	Crank drive	/LL 85-	1	
3	N 042 121 3	Shake-proof washer	/LL -84	3	
4	999 072 005 09	Hexagon nut M 6 X 12	-84	3	
4	999 072 005 01	Hexagon nut M 6 X 12		3	
(4)	900 278 002 02	Hexagon-head bolt CM 6 X 16	85-	3	
5	928 628 243 01	Lever	/LL -84	1	
(5)	928 628 243 02	Lever	85-	1	
6	999 084 055 02	Lock nut M 8		1	
7	901 628 924 00	Rubber bush	-84	2	
(7)	944 628 129 00	Rubber bush	85-	2	
8	901 628 923 01	Rubber bush	-84	2	
(8)	944 628 128 00	Bush	85-	2	
-	PCG 628 129 00	Bush Satz bestehend aus 2 x 94462812800 2 x 94462812900		4	
9	911 628 963 00	Flange washer Black	-84	2	
(9)	944 628 125 00	Washer	85-	2	
10	928 628 716 02	Grommet	/R	1	
(10)	928 628 717 01	Grommet	/L	1	
11	477 955 149	Hexagon nut	-84	2	
(11)	999 034 013 02	Hexagon nut	85-	2	
12	928 628 213 05	Wiper arm Passenger's side	/LL	1	
12	928 628 213 06	Wiper arm Driver's side with spoiler	/LL	1	
-	928 628 623 00	Cap		2	
13	803 955 437	Spring washer		2	
14	N 011 151 2	Hexagon nut	-84	2	
(14)	900 076 025 02	Hexagon nut	85-	2	
(14)	900 076 064 02	Hexagon nut	85-	2	
15	478 955 425	Wiper blade		2	
16	900 075 014 02	Hexagon-head bolt M 6 X 18	-84	1	
16	900 075 014 03	Hexagon-head bolt M 6 X 18	-84	1	
(16)	N 010 217 9	Hexagon-head bolt M 6 X 20	85-	1	
17	N 011 666 7	Washer	-84	1	
(17)	N 902 707 01	Washer 6,1 X 18 X 1,5	85-	1	
18	928 628 287 00	Grommet		1	
19	928 628 289 00	Bush		1	
-	999 507 246 02	Speed nut M 6		1	
-	999 507 246 01	Speed nut M 6		1	
23	911 612 867 02	Connector	85-	1	

Model: 928 83

Model life 1983>>1986



Model: 928 83 Model life 1983>>1986

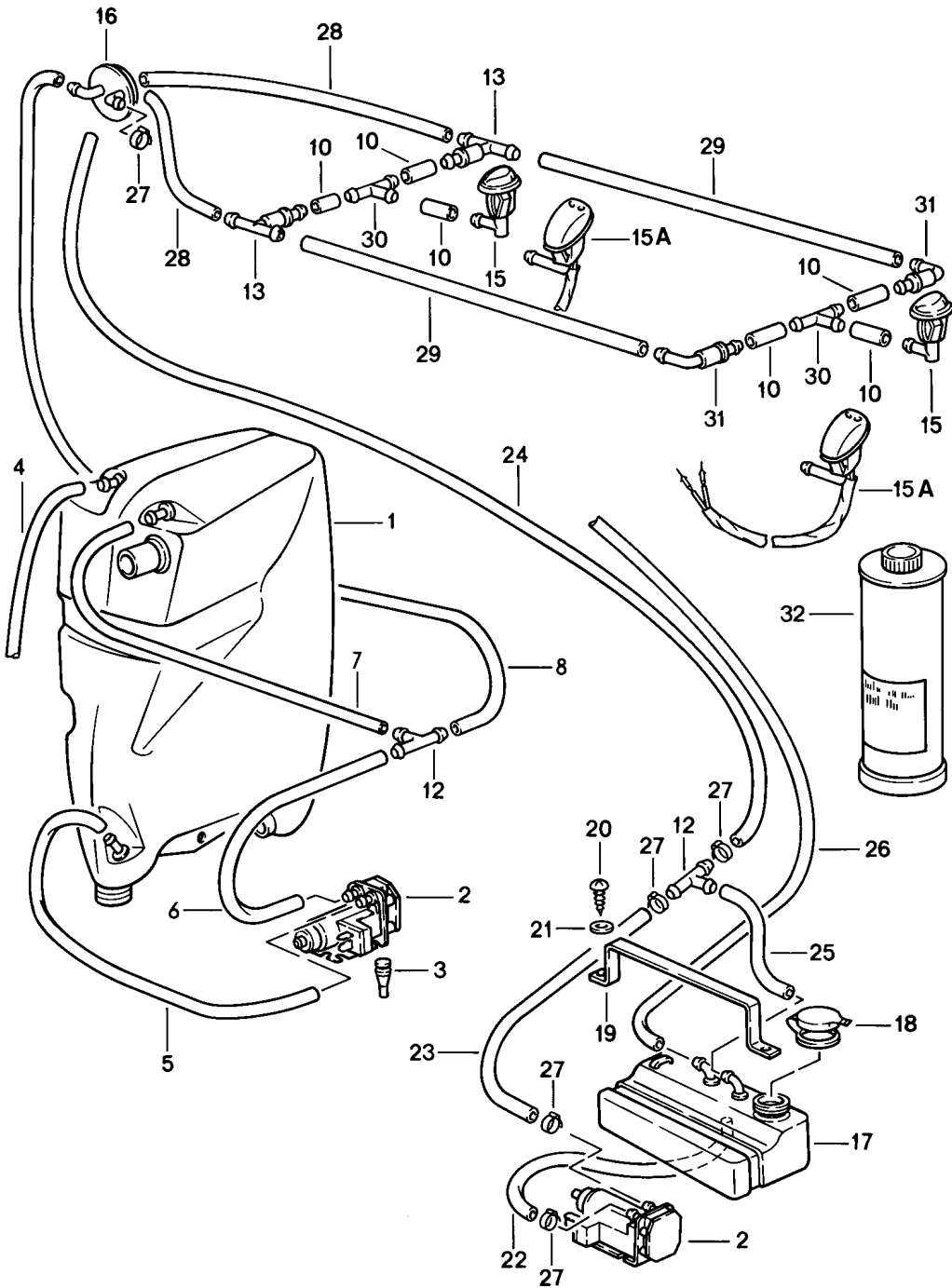
Pos	Part Number	Description	Remark	Qty	Model
1	928 628 071 03	Rear window wiper Engine bracket with Bearing		1	
2	928 628 202 02	Joint rod		1	
3	928 628 403 02	Wiper motor		1	
4	928 628 309 02	Wiper bearing		1	
4B	900 075 057 02	Hexagon-head bolt		1	
4B	900 075 057 03	Hexagon-head bolt		1	
5	928 628 325 01	Bush		1	
6	928 628 326 01	Bush		1	
7	928 628 610 05	Wiper arm		1	
8	928 628 218 01	Wiper blade		1	
8	928 628 218 02	Wiper blade		1	
9	N 012 241 8	Spring washer B 8		1	
10	900 114 002 02	Shake-proof washer J 6,4		1	
11	900 076 025 02	Hexagon nut M 8		1	
11	900 076 064 02	Hexagon nut M 8		1	
12	900 076 010 02	Nut M 6		1	
12	900 076 010 0B	Nut M 6		1	
13N	900 075 338 02	Hexagon-head bolt M 6 X 25		2	
14	N 012 007 2	Lock ring A 6		2	
14	900 027 004 03	Lock ring A 6		2	
14	N 011 524 7	Washer 6,4 X 14		3	
14	N 011 524 27	Washer 6,4 X 14		3	
15	N 011 666 7	Washer 6,4		X	
16	900 910 009 02	Lock nut M 6		1	
16	900 084 026 01	Lock nut M 6		1	
(17)	928 628 623 00	Cap Only together with Rear spoiler		2	
(17)	928 628 621 00	Cap for cars without Rear spoiler		1	
(17)	928 628 622 00	Cap Wiper arm for cars without Rear spoiler Installation set Rear window wiper Driving mechanism		1	
>>	928 628 060 02	Windscreen wiper system Small Complete Comprising:		X	
-	928 628 071 03	Engine bracket with Bearing		1	
-	928 628 202 02	Joint rod		1	

Model: 928 83 Model life 1983>>1986

Pos	Part Number	Description	Remark	Qty	Model
-	928 628 403 02	Wiper motor with Crank		1	
-	928 628 309 02	Wiper bearing Upper		1	
-	928 628 325 01	Bush		1	
-	928 628 326 01	Bush		1	
-	928 628 287 00	Grommet		3	
-	928 628 289 00	Bush		3	
-	900 075 014 02	Hexagon-head bolt M6 X 18		3	
-	900 075 014 03	Hexagon-head bolt M6 X 18 Relay Rear window wiper See group 9/03/10		3	
19	928 628 287 00	Grommet		3	
20	928 628 289 00	Bush		3	
21	N 011 524 7	Washer 6,4		3	
21	N 011 524 27	Washer 6,4		3	
22	900 075 014 02	Hexagon-head bolt M 6 X 18		3	
22	900 075 014 03	Hexagon-head bolt M 6 X 18		3	

Model: 928 83

Model life 1983>>1986



Model: 928 83 Model life 1983>>1986

Pos	Part Number	Description	Remark	Qty	Model
1	928 528 975 01	Windscreen washer system		1	
(1)		Water reservoir		1	
2	928 628 074 01	Water reservoir		2	
3	914 628 741 00	Pump		3	
-	999 181 029 40	Stopper		*	
		Motor pump			
		Hose			
		4 X 2,5			
4		320 MM		1	
5		620 MM		1	
6		100 MM		1	
7		400 MM		1	
8		450 MM	/LL	1	
-		1170 MM		1	
10		25 MM		1	
12	901 628 749 20	T-piece	/RL	2	
13	914 628 433 00	Valve		2	
14	914 628 215 00	Valve		1	
15	928 628 079 00	Nozzle	-83	2	
15A	928 628 077 00	Nozzle	84-	2	
	928 628 077 00 01C	Black			
		Heatable			
-	171 971 998 A	Connector housing	/L	1	
		2-pole			
-	171 971 998 B	Connector housing	/R	1	
		3-pole			
-	999 651 154 40	Cable tie		4	
16	928 528 073 04	Hose connection	/LL	1	
17	928 628 091 00	Container		1	
18	928 528 183 03	Lid		1	
19	928 628 189 00	Restraining strap		1	
20	900 143 031 02	Oval-head sheetmetal screw		2	
		4,2 X 9,5			
-	999 181 722 40	Hose		*	
		4,6 X 1,8			
22		145 MM		1	
23		300 MM		1	
24		1860 MM		1	
25		250 MM		1	
26		1060 MM	/LL	1	
26		2260 MM	/RL	1	
27	999 512 069 02	Hose clamp		5	
27	PCG 512 069 02	Hose clamp		5	
-	999 181 029 40	Hose		*	
		4 X 2,5			
28		140 MM		2	
29		650 MM		2	
30	901 628 745 20	T-piece		2	
31	477 955 481	Valve		2	
32	928 628 931 00	Silicone remover	(CDN)	X	
		1000 CCM			
32	000 044 000 93	Silicone remover	(CDN)	X	
		1000 CCM			
		Mounting parts			
		Motor pump			
-	927 628 471 00	Support		1	
-	901 511 791 21	Rubber washer		2	
		2 X 4			
-	999 507 240 00	Speed nut	/LL	2	
		B 4,2	/RL 83		
-	999 591 850 02	Speed nut	/RL 84-	2	
		with			
		Cover			

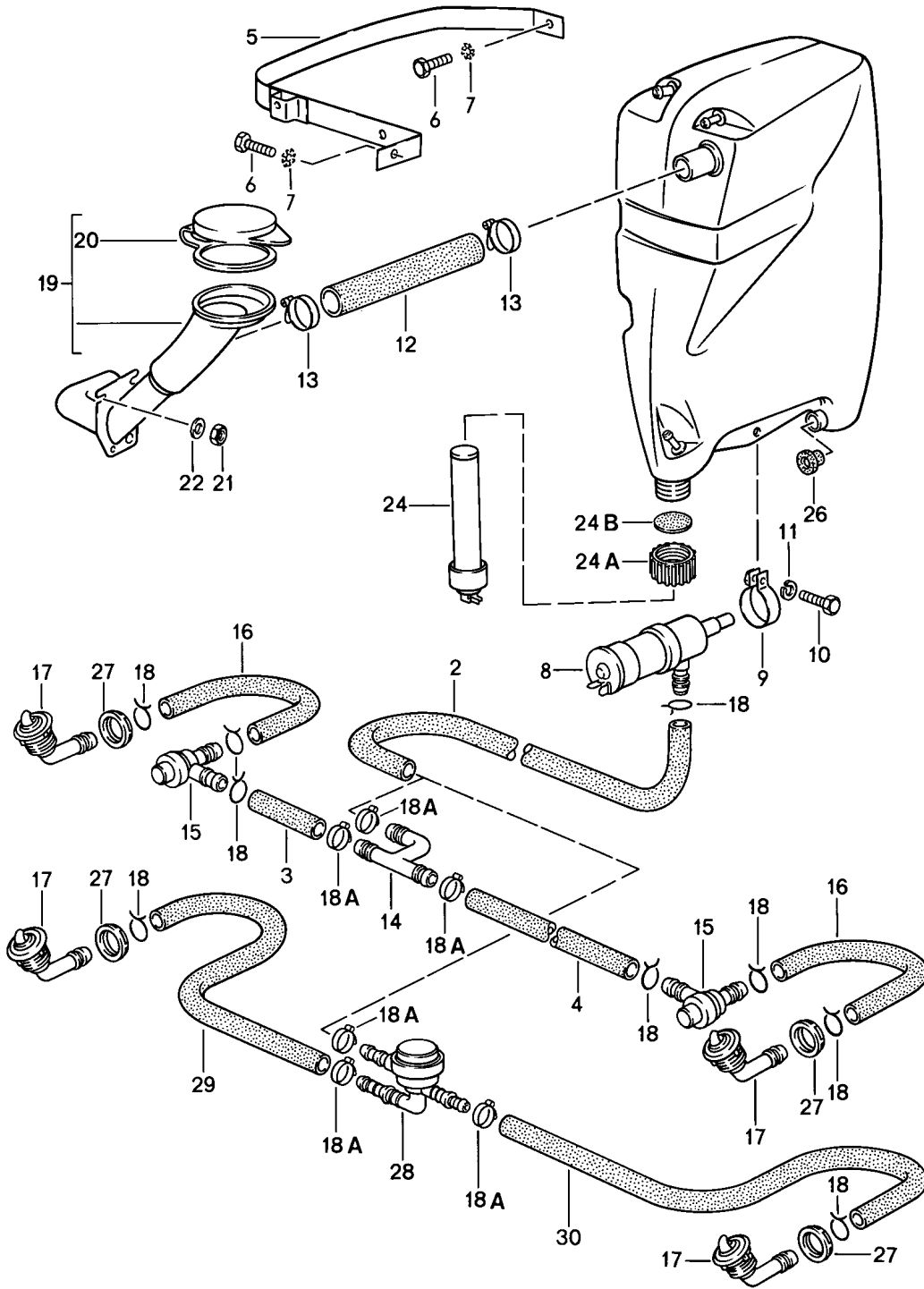
Model: 928 83

Model life 1983>>1986

Pos	Part Number	Description	Remark	Qty	Model
-	999 591 850 01	Speed nut with Cover	/RL 84-	2	
-	N 020 301 1	Hose 10 MM		2	
-	PCG 020 301 10	Hose 4 X 1 3000 MM		1	
-	900 025 002 02	Washer		2	
-	900 025 002 03	Washer		2	
-	900 187 013 02	Hexagon-head tapping screw 4,2 X 13		2	
-	928 628 757 00	Grommet for Hose		1	

Model: 928 83

Model life 1983>>1986



Model: 928 83

Model life 1983>>1986

Pos	Part Number	Description	Remark	Qty	Model
1	928 628 075 03	Headlight washer system		1	
(1)	928 528 975 01	Water reservoir		1	
(2)	999 181 806 40	Hose		*	
		2300 MM			
5	928 628 087 00	Restraining strap	-84	1	
(5)	928 628 087 01	Restraining strap	85-	1	
6	900 075 085 02	Hexagon-head bolt		2	
		M 8 X 20			
7	900 115 004 01	Serrated lock washer		2	
		8,4			
8	191 955 681	Pump		1	
9	928 628 085 00	Restraining strap		1	
10	900 075 014 02	Hexagon-head bolt		1	
		M 6 X 18			
10	900 075 014 03	Hexagon-head bolt		1	
		M 6 X 18			
11	N 011 524 7	Washer		1	
		6,4			
11	N 011 524 27	Washer		1	
		6,4			
12	999 181 286 50	Hose		*	
		28 X 3,5			
		270 MM			
12	PCG 181 286 50	Hose		*	
		28 X 3,5			
		270 MM			
13	999 512 272 02	Hose clamp		2	
14	914 628 413 10	Distributing piece		1	
15	477 955 183	Pressure control valve		2	
		F >>92ES8 60240			
16	928 528 161 02	Hose		2	
		C 9 X 15			
		F >>92ES8 60240			
17	928 528 071 02	Jet carrier		2	
18	999 512 304 02	Hose clamp		X	
18A	N 023 569 2	Hose clamp		3	
18A	PCG 023 569 2	Hose clamp		3	
19	928 628 179 00	Filler neck	/LL 83	1	
(19)		Filler neck	/LL 84-	1	
(19)	928 528 179 01	Filler neck	/LL 85-	1	
20	928 528 181 02	Lid		1	
21	900 076 010 02	Nut	/LL 83	2	
		M 6			
21	900 076 010 0B	Nut	/LL 83	2	
		M 6			
21A	N 043 890 1	Tapping screw	/LL 84-	2	
		B 4,2 X 9,5			
22	900 151 003 02	Washer	/LL 83	2	
		6,4			
22	900 151 006 03	Washer	/LL 83-	2	
		6,4			
(22)	900 025 002 02	Washer	/LL 84-	2	
		A 4,3			
(22)	900 025 002 03	Washer	/LL 84-	2	
		A 4,3			
24	928 641 501 01	Tank gauge switch		1	
24A	928 628 735 00	Cap		1	
24B	928 628 737 00	Sealing ring		1	
26	928 628 193 00	Gasket		1	
27	900 281 002 40	Hexagon nut		2	
		PG 11			
-	927 612 463 00	Grommet		1	

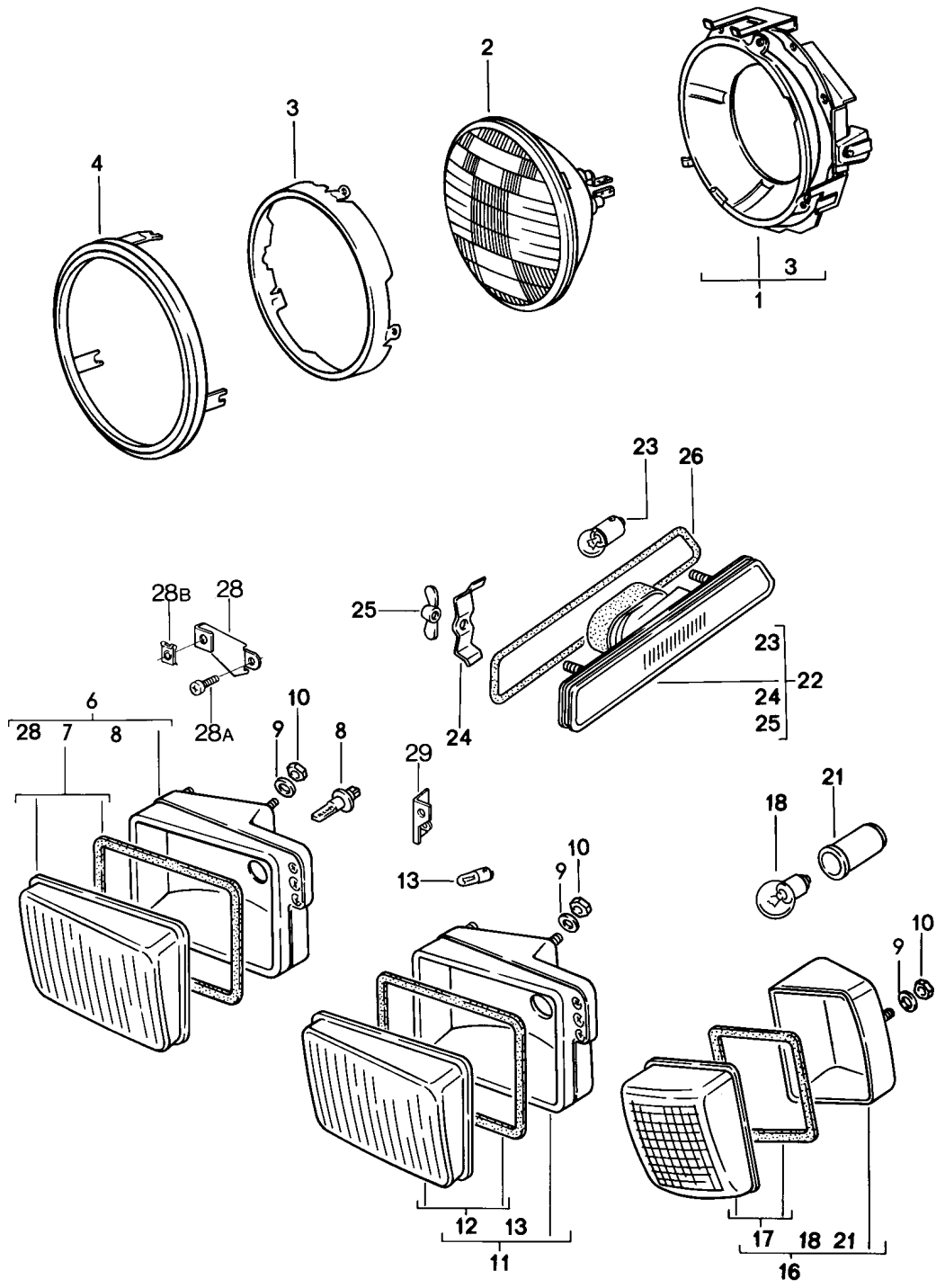
Model: 928 83

Model life 1983>>1986

Pos	Part Number	Description	Remark	Qty	Model
-	999 512 084 02	Hose clamp	/LL	2	
28	281 955 187	Valve		1	
		F 92ES8 60241>>			
29	999 181 806 40	Hose		*	
		400 MM			
		F 92ES8 60241>>			
30		Hose		*	
		900 MM			
		F 92ES8 60241>>			

Model: 928 83

Model life 1983>>1986

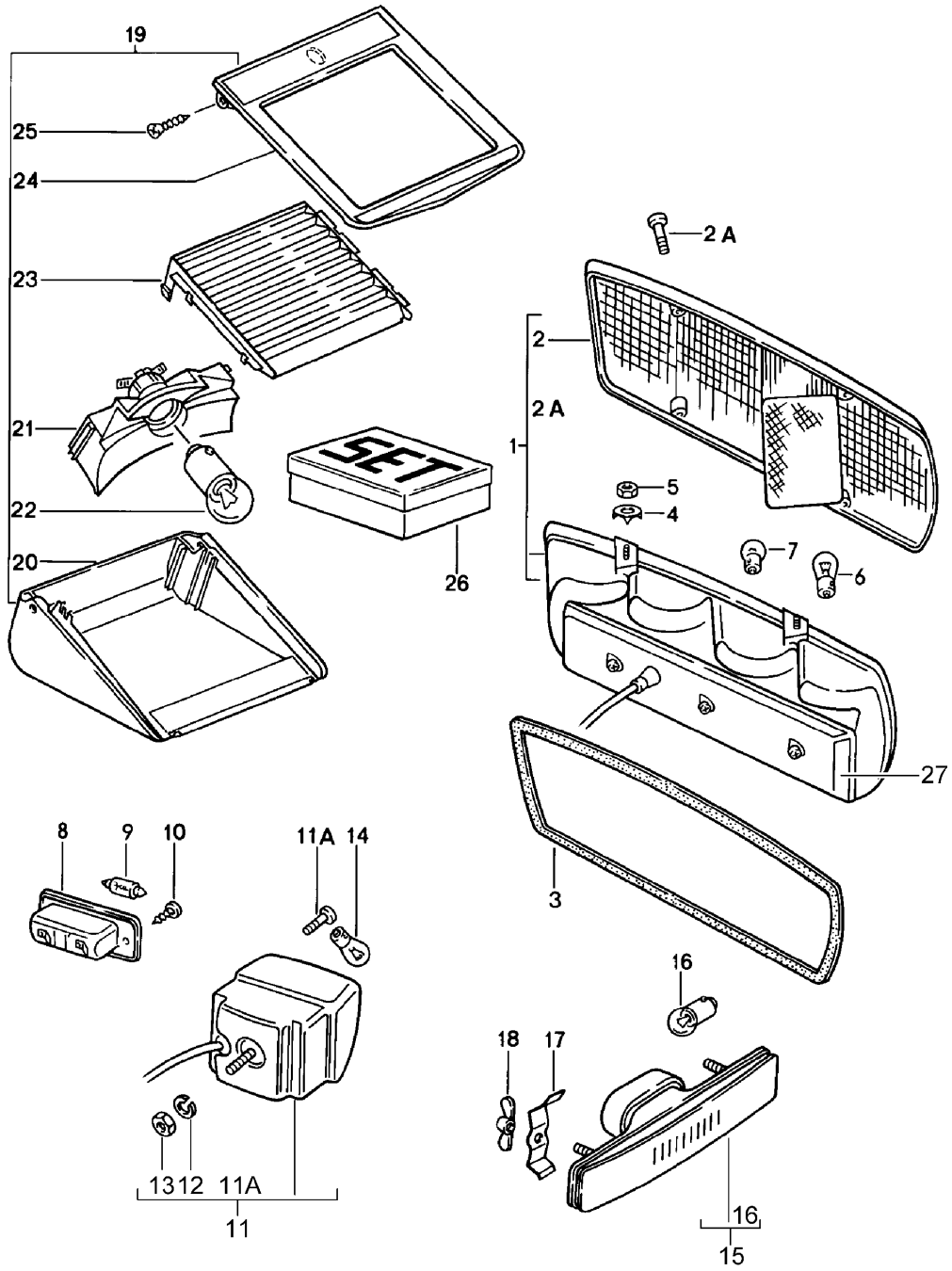


Model: 928 83 Model life 1983>>1986

Pos	Part Number	Description	Remark	Qty	Model
		Headlamp			
		Direction indicator light			
		Front			
1	928 631 113 01	Retaining frame		2	
2	999 631 127 90	Headlamp unit		2	
		Sealed-beam			
		12 V 60/40 W			
3	901 631 102 03	Window retaining bracket		2	
3	901 631 102 06	Window retaining bracket		2	
4	928 750 327 03	Intermediate ring		2	
6	928 631 417 01	Fog headlamp	/L	1	
(6)	928 631 417 00	Fog headlamp	/R	1	
7	928 631 925 01	Lens	/L	1	
		without			
		Rubber seal			
		Mounting parts			
(7)	928 631 926 01	Lens	/R	1	
		without			
		Rubber seal			
		Mounting parts			
(-)	PCG 631 927 00	Set		1	
		Rubber seal			
		Mounting parts			
		for			
		Lens			
8	900 631 126 90	Halogen bulb		2	
		H 3, 12 V - 55 W			
9	N 011 665 3	Washer		20	
9	N 011 665 16	Washer		20	
10	900 910 009 02	Lock nut		20	
10	900 084 026 01	Lock nut		20	
11	928 631 443 00	Position light	/L	1	
(11)	928 631 444 00	Position light	/R	1	
12	928 631 945 00	Lens	/L	1	
(12)	928 631 946 00	Lens	/R	1	
13	900 631 104 90	Bulb		2	
		12 V - 5 W			
16	928 631 421 01	Direction indicator light	/L	1	
(16)	928 631 421 00	Direction indicator light	/R	1	
17	928 631 929 00	Lens	/L	1	
(17)	928 631 930 00	Lens	/R	1	
18	900 631 127 90	Bulb		2	
		12 V - 21 W			
21	311 971 867 A	Grommet		2	
22	928 631 411 02	Side marker light	/L	1	
(22)	928 631 412 02	Side marker light	/R	1	
23	900 631 104 90	Bulb		2	
24	928 631 431 01	Support		4	
25	900 029 001 10	Winged nut		4	
26	928 025 255 00	Edge protection profile		2	
28	928 631 435 00	Support		2	
28A	N 014 133 8	Oval-head screw		2	
		M 5 X 12			
28A	N 014 133 I	Oval-head screw		2	
		M 5 X 12			
28B	999 591 338 02	Speed nut		2	
28B	999 591 460 01	Speed nut		2	
29	928 631 437 00	Support		2	
		Headlight levelling system			
		See group			
		8/06/00			

Model: 928 83

Model life 1983>>1986



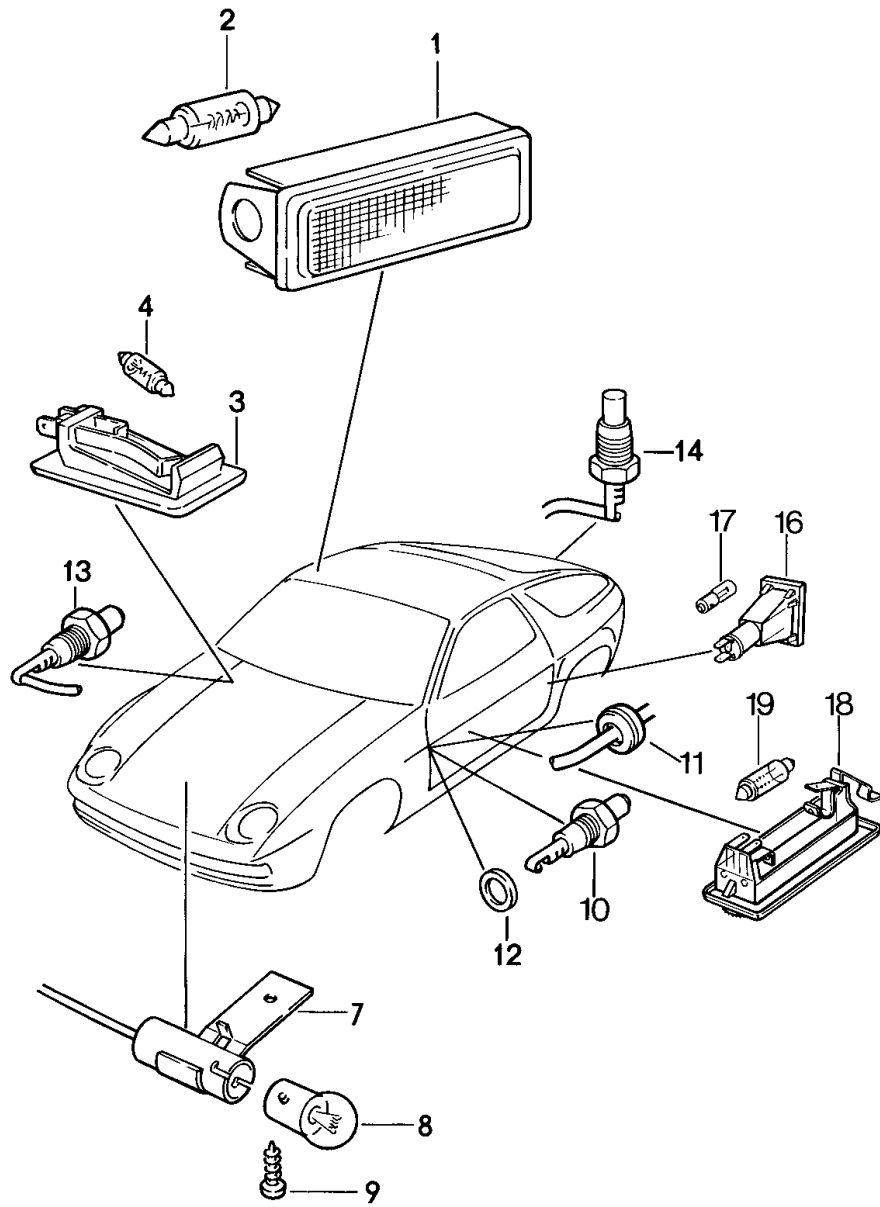
Model: 928 83

Model life 1983>>1986

Pos	Part Number	Description	Remark	Qty	Model
1	928 631 931 03	Rear light		1	
1	928 631 931 06	Rear light	/L	1	
(1)	928 631 932 03	Rear light	/R	1	
2	928 631 933 03	Lens	/L	1	
(2)	928 631 934 03	Lens	/R	1	
2A	928 631 941 00	Screw 4,2 X 32		8	
3	928 631 924 00	Gasket		1	
4	928 631 439 00	Washer		8	
5	900 910 009 02	Lock nut NM 5		8	
5	900 084 026 01	Lock nut NM 5		8	
6	900 631 127 90	Bulb 12 V - 21 W Direction indicator light Back-up light Brake light		6	
7	900 631 115 90	Bulb 12 V - 10 W		2	
8	928 631 620 00	License plate light	/H	2	
9	900 631 105 90	Bulb 12 V - 5 W		2	
10	900 145 044 07	Tapping screw B 4,2 X 22		4	
15	928 631 425 02	Side marker light	/L	1	
(15)	928 631 426 02	Side marker light	/R	1	
16	900 631 104 90	Bulb 12 V - 5 W		2	
17	928 631 431 01	Support		4	
18	900 029 001 10	Winged nut M 5		4	
19	928 631 070 00	Additional brake light		1	
20	928 631 460 00	Housing for light		1	
21	928 631 471 00	Reflector		1	
22	900 631 127 90	Bulb		1	
23	928 631 472 00	Lens		1	
24	928 631 061 00	Frame for light		1	
25	900 145 099 07	Rais. counters. h. tap. s. B 2,9 X 13		2	
26	000 043 069 00	Adhesive set for Frame for light		1	
26	000 043 303 19	Rear window Adhesive set for Frame for light		1	
27	PCG 631 931 02	Lid with Wiring harness for Rear light	L/R	1	

Model: 928 83

Model life 1983>>1986



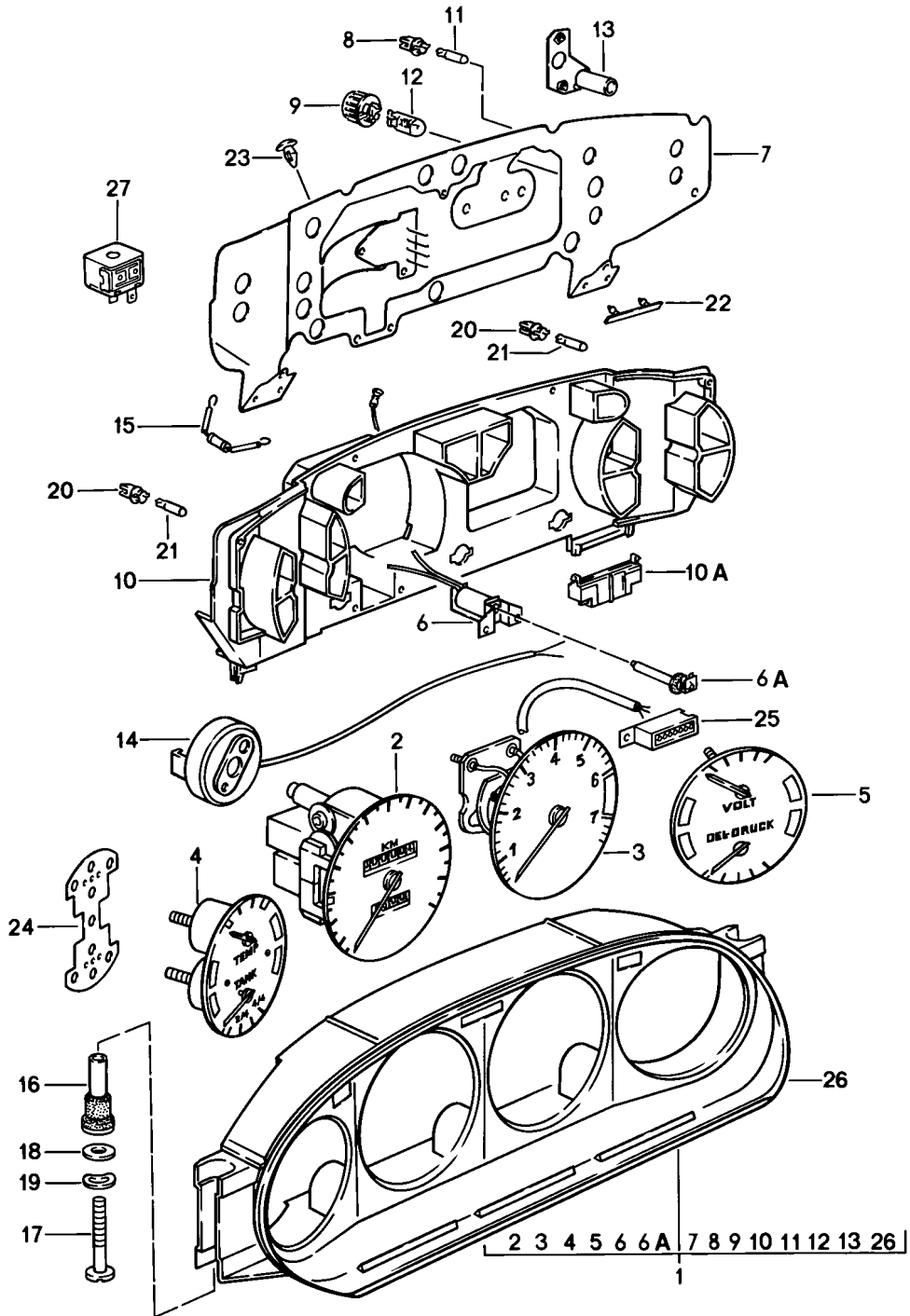
Model: 928 83

Model life 1983>>1986

Pos	Part Number	Description	Remark	Qty	Model
1	911 632 102 00	Interior lights Light Front Rear Rear lid		3 1 1 1	
2	900 631 106 90	Linolite lamp 12 V - 10 W		3	
3	928 632 101 00	Glove compartment light		1	
4	999 631 018 90	Bulb 12 V - 3 W		1	
7	928 632 105 00	Engine compartment lamp	-83	1	
(7)	928 632 105 01	Engine compartment lamp	84-	1	
8	900 631 115 90	Bulb 12 V - 10 W		1	
9	N 013 970 5	Oval-head sheetmetal screw B 4,8 X 9,5		1	
9	N 106 568 02	Oval-head sheetmetal screw B 4,8 X 9,5		1	
10	964 613 601 00	Door contact switch		2	
11	321 971 905	Rubber sleeve		2	
12	900 031 001 60	Washer 8,4		2	
13	964 613 601 00	Door contact switch Glove compartment		1	
14	928 613 119 00	Door contact switch Rear lid		1	
-	900 631 102 90	Light 12 V - 2 W Cigarette lighter		3	
16	928 631 131 00	Door guard light		2	
17	900 631 120 90	Bulb 12 V - 2 W		2	
18	928 632 109 01	Footwell light		2	
18	823 947 105 B	Footwell light		2	
19	900 631 106 90	Linolite lamp 12 V - 10 W		2	

Model: 928 83

Model life 1983>>1986



Model: 928 83 Model life 1983>>1986

Pos	Part Number	Description	Remark	Qty	Model
1	928 641 109 33	Instrument cluster	(CDN) 83	1	
2	928 641 967 00	Speedometer		1	
2	928 641 967 X	Speedometer		1	
3	928 641 965 06	Tachometer		1	
4	928 641 943 01	Indicator - temperatur. - fuel gauge -		1	
5	928 641 963 01	Indicator - volt - oil -		1	
(1)	928 641 102 33	Instrument cluster	(USA) 83	1	M481
2	928 641 957 00	Speedometer		1	
3	928 641 965 07	Tachometer		1	
4	928 641 943 01	Indicator - temperatur. - fuel gauge -		1	
5	928 641 963 01	Indicator - volt - oil -		1	
(1)	928 641 116 33	Instrument cluster	(USA) 83	1	M249
2	928 641 957 00	Speedometer		1	
3	928 641 965 06	Tachometer		1	
4	928 641 943 01	Indicator - temperatur. - fuel gauge -		1	
5	928 641 963 01	Indicator - volt - oil -		1	
1	928 641 109 34	Instrument cluster	(CDN) 84	1	
2	928 641 967 00	Speedometer		1	
2	928 641 967 X	Speedometer		1	
3	928 641 965 06	Tachometer		1	
4	928 641 943 01	Indicator - temperatur. - fuel gauge -		1	
5	928 641 963 02	Indicator - volt - oil -		1	
(1)	928 641 108 34	Instrument cluster	(USA) 84	1	M249
2	928 641 957 00	Speedometer		1	
3	928 641 965 06	Tachometer		1	
4	928 641 943 01	Indicator - temperatur. - fuel gauge -		1	
5	928 641 963 02	Indicator - volt - oil -		1	
(1)	928 641 102 34	Instrument cluster	(USA) 84	1	M481
2	928 641 957 00	Speedometer		1	
3	928 641 965 07	Tachometer		1	
4	928 641 943 01	Indicator - temperatur. - fuel gauge -		1	
5	928 641 963 02	Indicator - volt - oil -		1	
(1)	928 641 102 35	Instrument cluster	(USA) 85-	1	M481
2	928 641 957 01	Speedometer		1	
3	928 641 965 13	Tachometer		1	
4	928 641 943 02	Indicator - temperatur. - fuel gauge -		1	
5	928 641 963 03	Indicator - volt - oil -		1	
(1)	928 641 108 36	Instrument cluster	(USA) 85-	1	M249
2	928 641 957 02	Speedometer		1	
3	928 641 965 14	Tachometer		1	
4	928 641 943 02	Indicator - temperatur. - fuel gauge -		1	
5	928 641 963 03	Indicator - volt - oil -		1	
(1)	928 641 114 36	Instrument cluster	(CDN) 85-	1	M481
2	928 641 967 00	Speedometer		1	
2	928 641 967 X	Speedometer		1	
3	928 641 965 12	Tachometer		1	

Model: 928 83 Model life 1983>>1986

Pos	Part Number	Description	Remark	Qty	Model
4	928 641 943 02	Indicator - temperat. - fuel gauge -		1	
5	928 641 963 03	Indicator - volt - oil -		1	
(1)	928 641 124 02	Instrument cluster	(CDN) 85-	1	M249
2	928 641 967 04	Speedometer		1	
3	928 641 965 14	Tachometer		1	
4	928 641 943 02	Indicator - temperat. - fuel gauge -		1	
5	928 641 963 03	Indicator - volt - oil -		1	
6	928 641 921 00	Solenoid coil		1	
6A	928 641 960 00	Trip meter Zero adjustment shaft Trip meter		1	
(7)	928 641 973 01	Printed circuit film	-84	1	
(7)	928 641 973 02	Printed circuit film	85-	1	
8	999 631 301 90	Bulb (1,2 W)		19	
9	928 641 927 00	Bulb socket (3,0 W)		4	
9	928 641 927 01	Bulb socket (3,0 W)		4	
10	928 641 968 00	Plate	-84	1	
(10)	928 641 968 01	Mounting plate	85-	1	
10A	928 641 975 00	Plug with guide 14-pole	-84	X	
10A	928 641 977 00	Plug with guide 12-pole	-84	X	
11	999 631 301 90	Bulb 12 V-1,2 W 2LH3490		19	
12	900 631 019 90	Glass-base bulb 12 V-3 W		4	
13	928 641 958 00	Printed circuit board Temperature gauge Fuel-level indicator Charging control indicator		3	
(13)	928 641 959 00	Printed circuit board Oil pressure indicator		1	
14	928 606 210 00	Pulse sender	-84	1	
(14)	928 606 210 01	Pulse sender	85-	1	
15	928 641 981 00	Resistor Charging control indicator		1	
(15)	928 641 981 01	Resistor	85-	1	
16	928 552 049 02	Spacer sleeve		4	
17	N 019 908 1	Pan-head screw M 6 X 100		2	
18	N 011 524 7	Washer A 6,4		2	
18	N 011 524 27	Washer A 6,4		2	
19	N 012 226 5	Spring washer B 6		2	
20	928 641 982 00	Bulb socket	85-	4	
21	928 641 983 00	Bulb 1,2 W	85-	4	
21	928 641 983 01	Bulb 1,2 W	85-	4	
22	928 641 985 00	Clip	85-	3	
23	928 641 984 00	Clip	85-	4	
24	928 641 986 00	Gasket	85-	2	
25	944 612 553 00	Connector housing	85-	1	M249
26	928 641 987 00	Housing		1	

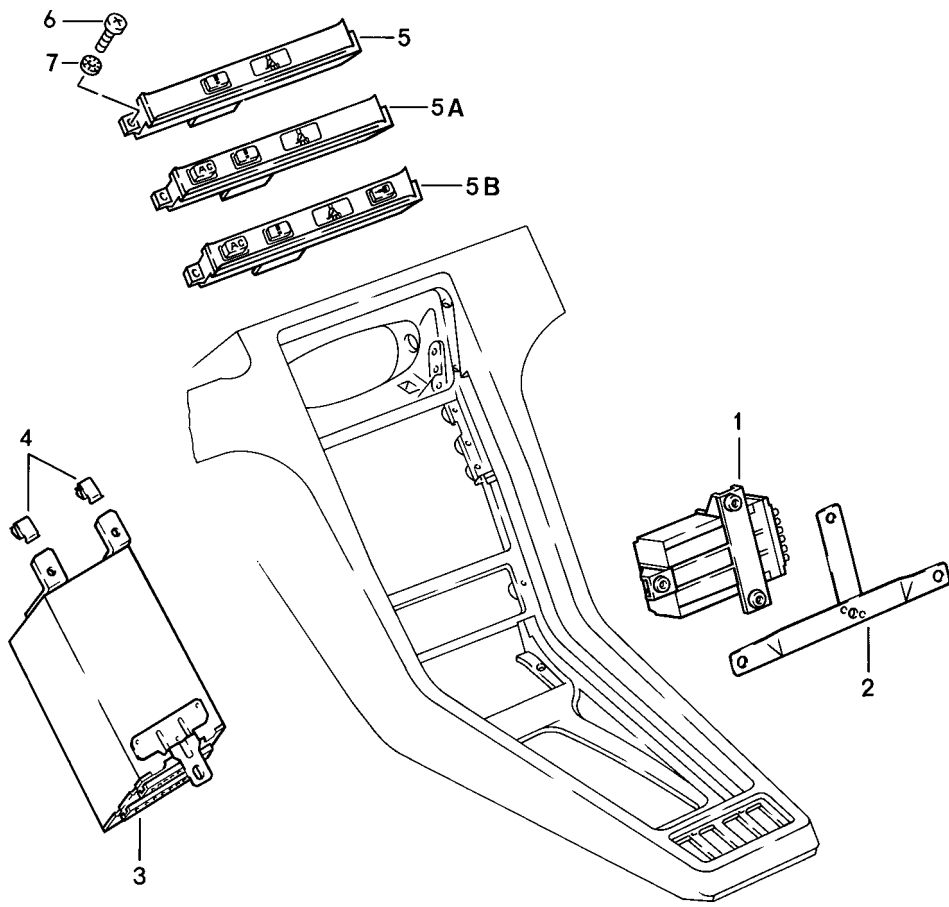
Model: 928 83

Model life 1983>>1986

Pos	Part Number	Description	Remark	Qty	Model
		Mounting parts			
		Pulse sender			
		Transmission			
-	915 660 509 00	Tensioning spring		1	
-	N 011 524 7	Washer		1	
		6,4			
-	N 011 524 27	Washer		1	
		6,4			
-	999 072 005 09	Hexagon nut		1	
		M 6 X 12			
-	999 072 005 01	Hexagon nut		1	
		M 6 X 12			
-	999 651 158 02	Cable holder		1	
-	928 606 305 00	Retaining bracket		1	
-	113 142 261 A	Clip		1	

Model: 928 83

Model life 1983>>1986



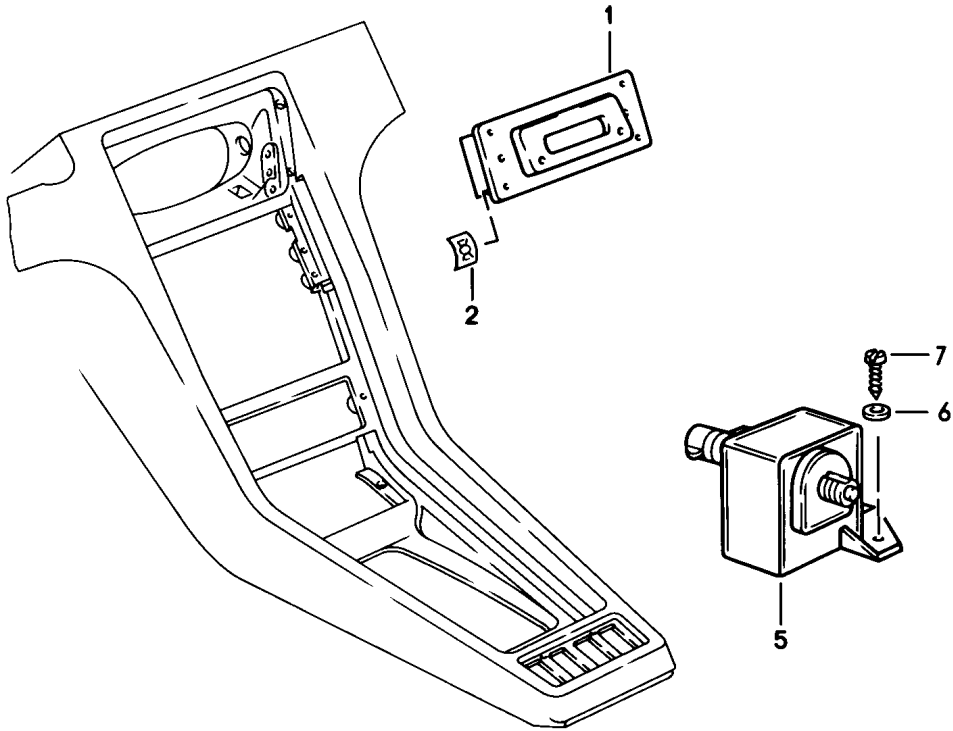
Model: 928 83

Model life 1983>>1986

Pos	Part Number	Description	Remark	Qty	Model
1	928 641 603 02	Central indicator			
		Bulb controlling device	83	1	
(1)	928 641 603 04	Bulb controlling device	84	1	
			85		
(1)	928 641 603 05	Bulb controlling device	86	1	
-	928 612 423 00	Connector housing		1	
		Bulb controlling device			
2	928 641 607 01	Support	/LL 83	1	
3	928 641 602 01	Central indicator	83	1	
3	928 641 602 05	Central indicator	84-	1	
5	928 641 609 10	Keypad		1	
5A	928 641 609 13	Keypad		1	
5B	928 641 609 15	Keypad		1	
6	999 919 008 07	Oval-head screw		1	
		4,0 X 13			
6	PCG 919 008 07	Oval-head screw		1	
		Set			
		4,0 X 13			
		Pieces		10	
7	N 011 522 14	Washer		2	
		- 4,3 -			
		Mounting parts			
		Support			
		Bulb controlling device			
-	N 013 968 7	Tapping screw	/LL	3	
		4,8 X 13			
-	900 143 097 01	Tapping screw	/LL	3	
		4,8 X 13			
-	N 012 226 5	Spring washer	/LL -83	2	
		B 6			
-	900 075 057 02	Hexagon-head bolt	/LL -83	2	
		M 6 X 16			
-	900 075 057 03	Hexagon-head bolt	/LL	2	
		M 6 X 16			
		Mounting parts			
		Bulb controlling device			
		Support			
		Shelf			
-	N 011 665 3	Washer		2	
		B 5,3			
-	N 011 665 16	Washer		2	
		B 5,3			
-	N 011 005 14	Hexagon nut	84-	2	
		M 5			
-	900 076 091 01	Hexagon nut	84-	2	
		M 5			

Model: 928 83

Model life 1983>>1986



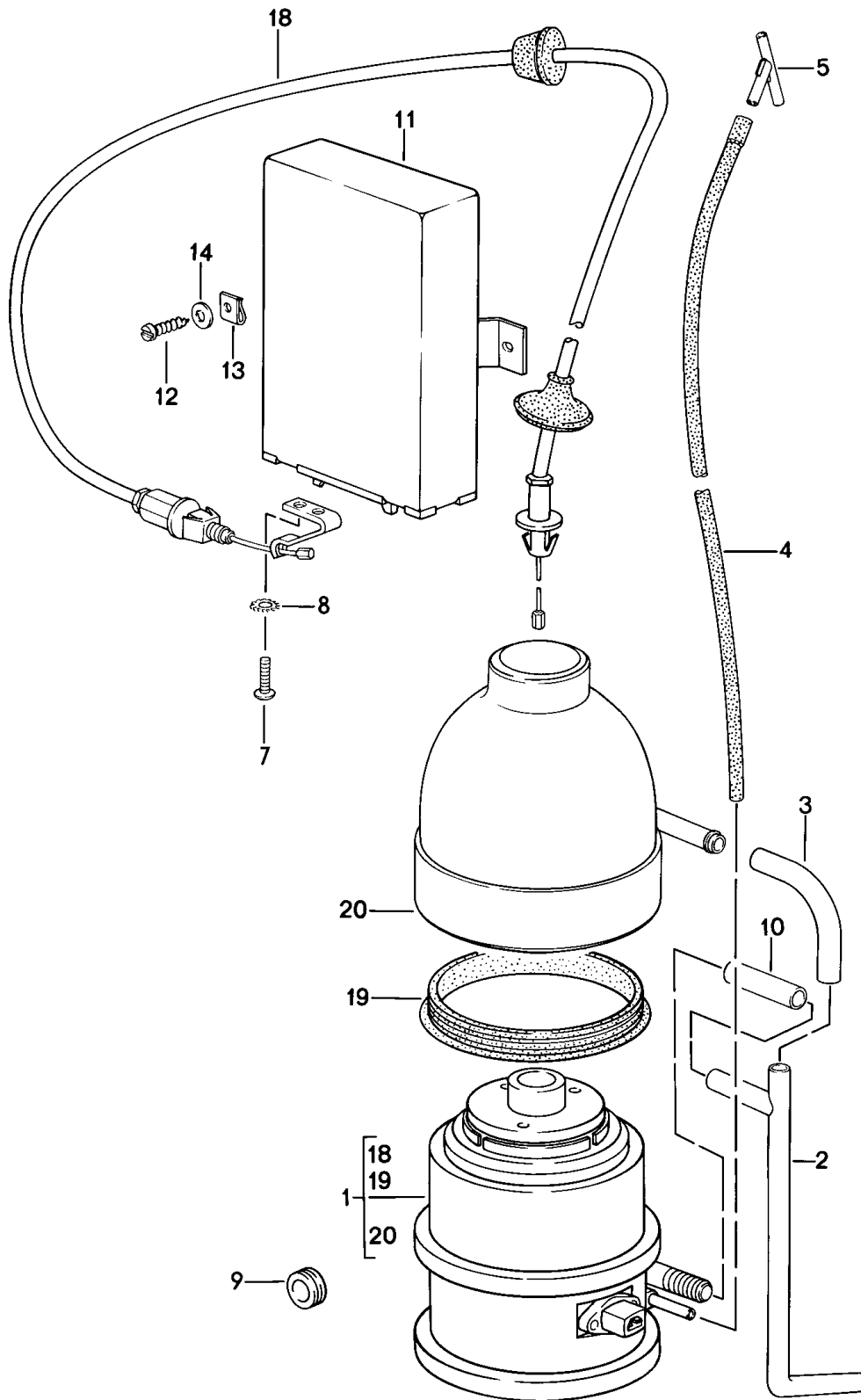
Model: 928 83

Model life 1983>>1986

Pos	Part Number	Description	Remark	Qty	Model
		Clock			
		Counter switch			
		for			
		Catalytic converter			
1	928 641 701 03	Clock		1	
2	999 507 209 01	Speed nut	-84	2	
5	928 641 225 00	Counter switch	83	1	
		Catalytic converter			
6	N 012 222 4	Spring washer	83	2	
		B 5			
7	N 013 968 7	Tapping screw	83-	2	
		4,8 X 13			
7	900 143 097 01	Tapping screw	83-	2	
		4,8 X 13			

Model: 928 83

Model life 1983>>1986



Model: 928 83

Model life 1983>>1986

Pos	Part Number	Description	Remark	Qty	Model
1	928 617 121 01	Cruise control Drive link		1	M28.21/22
(1)	928 617 121 03	Drive link		1	M28.43/44
2	928 617 124 00	Breather pipe		1	
3	928 617 123 00	Connecting piece		1	
		Vacuum line		1	
		See group			
		8/13/05 POS.5			
5	928 574 678 02	Y-piece		1	
7	900 146 005 02	Oval-head screw		2	M28.21/22
		M 5 X 8			
9	021 119 569 A	Rubber sleeve		1	
-	N 020 359 1	Hose		*	
		9 X 14			
10		48 MM		1	
11	928 617 127 00	Cruise control regulator		1	
12	900 187 013 02	Hexagon-head tapping screw		2	
		4,2 X 13			
13	N 015 429 2	Speed nut		2	
13	N 015 429 6	Speed nut		2	
14	900 151 001 02	Washer		2	
		4,3			
18	928 617 901 00	Bowden cable		1	M28.21/22
(18)	928 617 125 02	Bowden cable		1	M28.43/44
19	928 617 902 00	Gasket		1	
20	928 617 903 00	Protection cap		1	

Model: 928 83

Model life 1983>>1986



Model: 928 83

Model life 1983>>1986

Pos	Part Number	Description	Remark	Qty	Model
>>	928 603 904 00	Repair kits Set of fastening parts Pulley Generator Comprising: Hexagon nut SW 24 Washer Thrust washer Woodruff key		X 1 1 1 1	