

**Model: 924 76****Model life 1976>>1979**

## ORDER-INFO

THIS PARTS CATALOGUE CONTAINS ALL ORDER INFORMATION OF  
TYPE 924 FROM MODEL YEAR 1976 TO MODEL YEAR 1979

IT IS AVAILABLE IN TWO EDITIONS IN THE FOLLOWING LANGUAGES:

## EDITION

USA, CANADA

- \*

## EDITION

ALL OTHER COUNTRIES

- GERMAN

\* - ENGLISH

- FRENCH

- ITALIAN

- SPANISH

UPDATING IS BEING PERFORMED BY CHANGING OF UPDATE.

THE EDITION CAN BE RECOGNIZED BY THE CURRENT NO.  
YEAR IN THE BOTTOM LINE OF SUBJECT UPDATE.

THE PREVIOUS UPDATE SHOULD NO LONGER BE USED.

ALL ILLUSTRATIONS ARE SUBJECT TO CHANGE WITHOUT OBLIGATION.

"WE RESERVE THE RIGHT TO SUPPLY A SUBSEQUENTLY  
PRODUCED COMPONENT, ON WHICH ADDITIONAL WORK  
IS NECESSARY, INSTEAD OF THE COMPONENT LISTED IN  
THE CATALOGUE"

Model: 924 76

Model life 1976>>1979

EXPLANAT. -VIN

EXPLANATION OF THE VERSION OF THE VEHICLE IDENT. NUMBERS (VIN)  
 =====  
 USED IN THE CATALOGUE  
 =====

DIGIT:	1	2	3	4	5	6	7	8	9	10
--------	---	---	---	---	---	---	---	---	---	----

EXAMPLE:	9	2	4	9	1	0	0	2	5	3
	=====			=	=			=====		

		!	!	!		!				
VEHICLE TYPE-----+			!	!		!				
			!	!		!				
MODEL YEAR-----+				!		!				
				!		!				
CODE FOR BODY AND ENGINE-----+						!				
						!				
SERIAL NUMBER-----+										

Model: 924 76

Model life 1976&gt;&gt;1979

## SUMMARY OF TYPE

VEHICLE TYPE	MY	VEHICLE IDENT.NO.	ENGINE TYPE
924	76 6	92461 00051>05149	047.8 92 KW
924	77 7	92471 00051>>	047.8/9 92 KW
924 (USA)(CDN)(CAL)	77 7	92472 00001>>	047.6 74 KW
924 (USA)(CDN)(CAL)	77 7	92472 30001>>	047.4/5 85 KW
924 (J)	77 7	92473 00001>>	047.6 74 KW
924 (J)	77 7	92473 30001>>	047.4/5 85 KW
924	78 8	92481 00051>>	047.8/9 92 KW
924 (USA)(CDN)(CAL)	78 8	92482 00001>>	047.4/5 85 KW
924 (J)	78 8	92483 30001>>	047.4/5 85 KW
924	79 9	92491 00051>>	047.8/9 92 KW
924 (USA)(CDN)(CAL)	79 9	92491 00001>>	047.4/5 85 KW
924 (J)	79 9	92493 30001>>	047.4/5 85 KW
924 TURBO	79 9	92494 00001>>	M31.01 125 KW

Model: 924 76

Model life 1976>>1979

EXPL. ENGINE-NO.

EXPLANATION OF THE MOTOR-NUMBERS USED IN THE CATALOGUE

=====

DIGIT: 1 2 3 4 5 6 7 8

EXAMPLE: X K 0 0 2 1 3 6

=== =====

ENGINE TYPE-----+ ! !

SERIAL NUMBER-----+ !

Model: 924 76

Model life 1976&gt;&gt;1979

## SUMMARY ENGINES

VEHICLE TYPE	ENGINE		ENGINE NO.	TECHNICAL DATA
	TYPE	MY		
924	047.8	76 6	XK 000001>>	4ZYL/2,0L/ 92KW
924	047.8	77 7	XK 000001>>	4ZYL/2,0L/ 92KW
924 M249	047.9	77 7	XK 000001>>	4ZYL/2,0L/ 92KW
924 (GB) (AUS)	047.8	77 7	XJ 000001>>	4ZYL/2,0L/ 92KW
924 M249 (GB) (AUS)	047.9	77 7	XJ 000001>>	4ZYL/2,0L/ 92KW
924 (USA) (CDN)	047.6	77 7	XH 000001>>	4ZYL/2,0L/ 74KW
924 (USA) (CDN)	047.4	77 7	XG 300001>>	4ZYL/2,0L/ 85KW
924 M249 (USA) (CDN)	047.5	77 7	XG 300001>>	4ZYL/2,0L/ 85KW
924 (CAL) (J)	047.6	77 7	XF 000001>>	4ZYL/2,0L/ 74KW
924 (CAL)	047.4	77 7	XE 100050>>	4ZYL/2,0L/ 85KW
924 M249 (CAL)	047.5	77 7	XE 100050>>	4ZYL/2,0L/ 85KW
924 (J)	047.4	77 7	XG 300050>>	4ZYL/2,0L/ 85KW
924 M249 (J)	047.5	77 7	XG 300050>>	4ZYL/2,0L/ 85KW
924	047.8	78 8	XK 000001>>	4ZYL/2,0L/ 92KW
924	047.8	78 8	XJ 000001>>	4ZYL/2,0L/ 92KW
924 M249	047.9	78 8	XK 000001>>	4ZYL/2,0L/ 92KW
924 M249	047.9	78 8	XJ 000001>>	4ZYL/2,0L/ 92KW
924 (USA) (CDN) (J)	047.4	78 8	XG 000001>>	4ZYL/2,0L/ 85KW
924 M249 (USA) (CDN) (J)	047.5	78 8	XG 000001>>	4ZYL/2,0L/ 85KW
924 (CAL)	047.4	78 8	XE 000001>>	4ZYL/2,0L/ 85KW
924 M249 (CAL)	047.5	78 8	XE 000001>>	4ZYL/2,0L/ 85KW
924	047.8	79 9	XK 000001>>	4ZYL/2,0L/ 92KW
924	047.8	79 9	XJ 000001>>	4ZYL/2,0L/ 92KW
924 M249	047.9	79 9	XK 000001>>	4ZYL/2,0L/ 92KW
924 M249	047.9	79 9	XJ 000001>>	4ZYL/2,0L/ 92KW
924 (USA) (CDN) (J)	047.4	79 9	XG 000001>>	4ZYL/2,0L/ 85KW
924 M249 (USA) (CDN) (J)	047.5	79 9	XG 000001>>	4ZYL/2,0L/ 85KW
924 (CAL)	047.4	79 9	XE 000001>>	4ZYL/2,0L/ 85KW
924 M249 (CAL)	047.5	79 9	XE 000001>>	4ZYL/2,0L/ 85KW
924 TURBO	M31.01	79 9	31 010001>>	4ZYL/2,0L/125KW

Model: 924 76

Model life 1976>>1979

EXPL. TRANSM. NO.

EXPLANATION OF THE TRANSMISSION-NUMBERS USED IN THE CATALOGUE

```

=====
DIGIT:           1 2   3 4   5 6   7
EXAMPLE:        Y R   1 9   0 2   9
                ===  ===  ===  =
                !   !   !   !
                !   !   !   !
IDENTIFICATION LETTER-----+   !   !   !
                !   !   !
MANUFACTURING DAY-----+   !   !
                !   !
MANUFACTURING MONTH-----+   !
                !
MANUFACTURING YEAR-----+

```

G31.01  
=====

```

DIGIT:           1 2 3 4   5 6 7 8 9   (10 11)
EXAMPLE:        3 1 0 1   0 1 2 9 1   ( 1 2 )
                =====  =====  =====
                !           !           !
TRANSMISSION VERSION-----+   !           !
                !           !
SERIAL NUMBER-----+   !
                !
LIMITED SLIP DIFFERENTIAL-----+

```

Model: 924 76

Model life 1976&gt;&gt;1979

## SUMM. TRANSMISS

VEHICLE TYPE	TRANSM. TYPE	MY	TRANSMISSION NO.	TECHNICAL DATA
924	088/6	76 6 YR	00001>>	4-SPEED
924	088/6	77 7 YR	00001>>	4-SPEED
924 M249	087/3	77 7 RK	00001>>	3-SPEED
924 (USA) (CDN) (CAL) (J)	088/A	77 7 XT	00001>>	4-SPEED
924 M249 (USA) (CDN) (CAL) (J)	087/6	77 7 RL	00001>>	3-SPEED
924	088/6	78 8 YR	00001>>	4-SPEED
924	016 Z	78 8 VA	00001>>	5-SPEED
924 M249	087/3	78 8 RK	00001>>	3-SPEED
924 (USA) (CDN) (CAL) (J)	088/A	78 8 XT	00001>>	4-SPEED
924 M249 (USA) (CDN) (CAL) (J)	087/6	78 8 RL	00001>>	3-SPEED
924	088/6	79 9 YR	00001>>	4-SPEED
924	016 Z	79 9 VA	00001>>	5-SPEED
924 M249	087/3	79 9 RK	00001>>	3-SPEED
924 (USA) (CDN) (CAL) (J)	016 Y	79 9 VB	00001>>	5-SPEED
924 M249 (USA) (CDN) (CAL) (J)	087/6	79 9 RL	00001>>	3-SPEED
924 TURBO	G31.01	79 9 31	0100001>>	5-SPEED

Model: 924 76

Model life 1976>>1979

LEGENDS/NOTICES

LEGENDS AND NOTICES

=====

IN COLUMN -S- STATUS

-----

- N NEW ADDITION
- P PART ALREADY IN PROGRAMME, BUT NEW AT THIS APPLICATION
- W DELETED AT THIS APPLICATION, BUT CONTINUED TO BE CARRIED
- A STOCK TO BE USED UP
- U DELETED WITHOUT REPLACEMENT
- \* PART ALSO OR ONLY AVAILABLE IN REPAIR KIT
- > ALSO AVAILABLE IN EXCHANGE

IN COLUMN - ILL. -

-----

- 1 IDENTIFICATION NO. IN ILLUSTRATION
- (1) PART ONLY SIMILAR AS ILLUSTRATED
- PART IS NOT ILLUSTRATED

FIG.-NUMBERS FOR WHICH THERE IS SHOWN NO TEXT ARE NOT VALID FOR THIS EDITION OF CATALOGUE

IN COLUMN -PART NUMBER/CODE-

-----

000 000 000 00 PART NUMBER EQUALS ORDERING NO., IF A CODE IS SHOWN, IT WILL HAVE TO BE PART OF ORDERING NUMBER

AC3 COLOUR CODE

IN COLUMN -TEXT

-----

INSTALLATION WIRH ENGINE OR CHASSIS NUMBER-RANGE

EXAMPLE:

M XK 001291 >> FROM ENGINE NO.



**Model: 924 76****Model life 1976>>1979**

F &gt;&gt; 92491 001291 UP TO VIN

Model: 924 76

Model life 1976>>1979

LEGENDS/NOTICES

IN COLUMN - A -  
-----

IDENTIFICATION LETTER FOR PERIOD OF INSTALLATION  
THAT IS REPEATED SEVERAL TIMES IN THE CATALOG GROUP.

EXPLANATION PLEASE FIND IN TEXT COLUMN OF THE CATALOG GROUP

IN COLUMN - QU - = NO. OF PIECES  
-----

- 1 NUMBER PER APPLICATION
- X NUMBER AS NEEDED
- \* AVAILABLE ONLY IN RUNNING LENGTHS 1 = 1 METRE

IN COLUMN - MODEL/SYMBOL -  
-----

- M650 OPTIONAL EQUIPMENT - SEE M-NO. LIST
- 79 LIMITATION OF MODEL YEAR FOR INSTANCE: VALID UP TO  
END OF MODEL YEAR 1979
- /LL LHD
- /RL RHD
- +
- /V FRONT I  
I
- /H REAR I  
I----> APPLIES TO
- /L LEFT I DIRECTION OF TRAVEL  
I
- /R RIGHT I  
-----+
- AUT. AUTOMATIC
- WW THE PART CAN BE USED INSTEAD OF THE  
PRECEDING ONE

Model: 924 76

Model life 1976&gt;&gt;1979

COUNTRY-EQIPM.

## EQUIPMENT BY COUNTRY REGULATIONS

=====

(A)	AUSTRIA
(AUS)	AUSTRALIA
(B)	BELGIUM
(CDN)	CANADA
(CH)	SWITZERLAND
(D)	FEDERAL REPUBLIC OF GERMANY
(DK)	DENMARK
(E)	SPAIN
(F)	FRANCE
(GB)	GREAT BRITAIN
(GR)	GREECE
(HK)	HONGKONG
(I)	ITALY
(J)	JAPAN
(L)	LUXEMBURG
(N)	NORWAY
(NL)	NETHERLANDS
(NS)	NEW ZEALAND
(P)	PORTUGAL
(RC)	TAIWAN
(S)	SWEDEN
(SA)	SAUDI ARABIA
(SF)	FINLAND
(USA)	UNITED STATES OF AMERICA

Model: 924 76

Model life 1976&gt;&gt;1979

NR	Description
M000	+-----+ ! Summary of optional extras "M"! +-----+
M020	Speedometer with two scales mph-km/h
M027	Version for California
M034	Version for Italy
M036	Impact absorbers front and rear
M046	Side turn signals
M058	Impact absorbers, front and rear
M061	Version for Great Britain
M062	Version for Sweden
M086	Drum brakes, self-adjusting
M124	Version for France
M186	Seat belt for back seats
M187	H4 headlamps for left-hand traffic
M190	Increased side door strength
M193	Version for Japan
M208	Trailer coupling
M220	Locking differential 40 %
M249	Automatic transmission
M256	Engine for right-hand drive
M269	Additional headlamps
M288	Headlamp washer
M404	Anti-roll bar, front and rear
M414	Combined oil pressure and temperature gauge
M425	Rear window wiper
M426	Special models - world champion 1976 - USA 1978 - Switzerland 1978
M427	Special model - France 1979
M429	Special model - USA-Sebring 1979
M450	Light-alloy disc rim 6 J x 14 painted black, polished rim
M463	Side windows tinted
M471	Equipment group 1, sporting 924 - USA, Canada, Japan
M474	Shock absorber (sporting), front and rear
M479	Version for Australia
M481	Manual transmission
M553	Version for USA, Canada
M560	Detachable roof
M565	Safety steering wheel, leather
M568	Heat-insulating glass
M571	Rear fog lamp
M573	Air conditioner
M592	Brake fluid level indicator

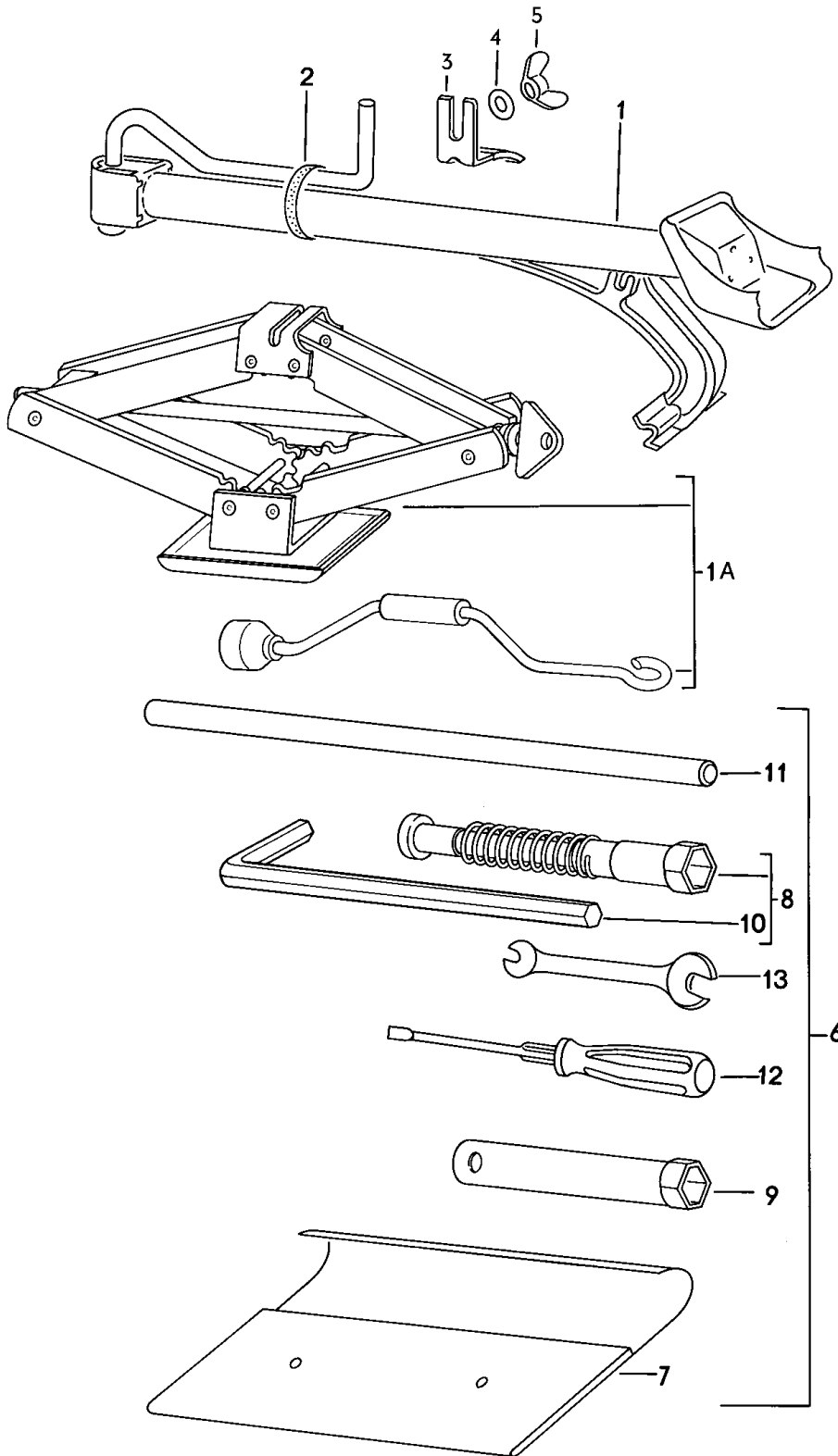
Model: 924 76

Model life 1976&gt;&gt;1979

NR	Description
M597	Heavy duty battery 63 Ah and starter 1,1 kW
M651	Electric window opener
M659	Fog lamps
M981	Leather equipment

Model: 924 76

Model life 1976>>1979



Model: 924 76 Model life 1976>>1979

Pos	Part Number	Description	Remark	Qty	Model
1	477 011 033	Accessories Scissors type jack F >>92482 08280 F >>92483 30331		1	
1A		Scissors type jack F 92482 08281>> F 92483 30332>>		1	
2	803 011 245	Ring		1	
3	477 813 555	Support		1	
4	N 011 696 1	Washer		1	
5	N 011 175 1	Hexagon nut M 8		1	
(6)	477 012 021 A	Tool ohne Inhalt		1	
6	944 721 027 05	Tool bag with contents Comprising: Tool bag		1	
-	477 012 233	Spark plug wrench		1	
		Rim wrench		1	
		Operating rod for Rim wrench		1	
		Double-end spanner 10 X 13		1	
		Handle		1	
		Insert for Cross-recess screw		1	
		And Slotted screw		1	
-	928 361 311 00	Universal pliers		1	
		Hook for Cover		1	
		Wheel nut			

Model: 924 76

Model life 1976>>1979



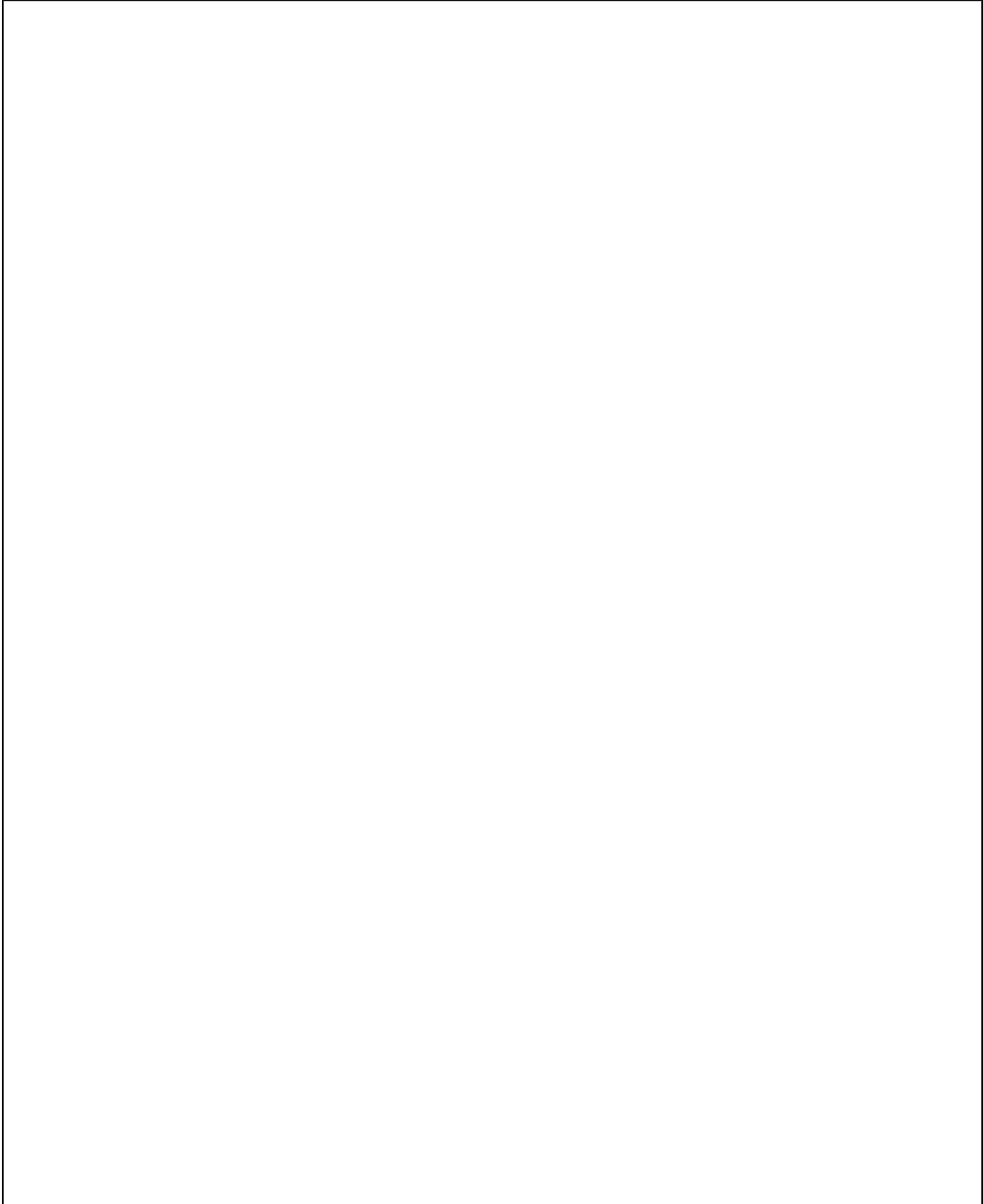


Model: 924 76 Model life 1976>>1979

Pos	Part Number	Description	Remark	Qty	Model
-	477 000 257 C	Stickers Sticker Tyre pressure 165 - HR 14	-77	1	924
-	477 000 257 F	Sticker Tyre pressure 165 - HR 14	78	1	924
-	477 000 287 C	Sticker Tyre pressure 165 - HR 14	-78 (CDN) (USA)	1	924
-	477 000 257 G	Sticker Tyre pressure 185/70 - HR 14		1	924
-	477 000 287 F	Sticker Tyre pressure 185/70 - HR 14	-78 (CDN) (USA)	1	924
-		Sticker Tyre pressure 185/70 - HR 14	79 (CDN) (USA)	1	924
-	911 701 137 02	Sticker Emergency wheel		1	
-	911 701 137 04	Sticker Emergency wheel		1	
-	477 000 269	Sticker Bleeding		1	924
-	113 000 263 B	Sticker Required octane number		1	
-	477 000 283 C	Sticker Exhaust gas		1	
-	477 000 285	Sticker TSZ Ignition switch unit		1	
-	477 000 267	Sticker Catalytic converter		1	
-	477 000 258	Sticker Unleaded Filler neck		1	
-	211 000 258 A	Sticker Unleaded Dashboard		1	
-	477 000 271 F	Sticker Engine specifications	-78	1	M157
-	477 000 273 K	Sticker Silver	79	1	M157
-	477 000 299 C	Sticker Black	79	1	M157
-	477 000 273 J	Sticker Silver	79	1	M027
-	477 000 299 B	Sticker Black	79	1	M027

Model: 924 76

Model life 1976>>1979



Model: 924 76

Model life 1976&gt;&gt;1979

Pos	Part Number	Description	Remark	Qty	Model
-	477 253 191 B	Accessories Ornamental exhaust pipe Round Black		1	924
-	477 698 153 A	Installation set Widening of track 15 MM for rear axle only Together with Alloy wheel 4- Hole		1	924
-	477 601 103 C	Spacer ring 15 MM		2	
-	914 361 315 01	Wheel bolt		8	
-	914 361 315 02	Wheel bolt		8	
-	999 571 045 02	Rim wrench		1	
-	477 698 154	Installation set Widening of track 28 MM for rear axle only Together with Alloy wheel 4- Hole		1	924
-	477 601 093	Spacer ring 28 MM		2	
-	999 182 003 36	Wheel nut		8	
-	999 571 045 02	Rim wrench		1	
-	904 341 671 00	Wheel bolt		8	924
-	993 331 671 02	Wheel bolt		8	924
-	477 821 805	Mud flap 1 set		1	
-	477 821 161 A	Mud flap	/L	1	
-	477 821 162 A	Mud flap	/R	1	
-	N 010 264 4	Hexagon-head bolt M 5 X 20		6	
-	N 011 692 3	Washer		6	
-	N 012 005 3	Lock ring B 5		6	
-	N 011 005 14	Hexagon nut M 5		6	
-	900 076 091 01	Hexagon nut M 5		6	
-	911 361 909 00	Snow chains Snow chains 1 set for 185/70 HR 14 Vertical seat adjustment		1	
-	911 521 493 00	Spacer		X	
-	900 067 089 02	Pan-head screw M 6 X 25 for 13 MM Elevation		X	
-	900 067 089 01	Pan-head screw M 6 X 25 for 13 MM Elevation		X	
-	N 014 749 2	Pan-head screw M 6 X 40		X	

Model: 924 76 Model life 1976>>1979

Pos	Part Number	Description	Remark	Qty	Model
-	477 091 025	for 26 MM Elevation Ski rack Bracket 1 set Comprising:		1	
-	477 091 011	Ski rack		1	
-	477 091 027	Bracket with installation parts		1	
-	477 091 029	Rubber holder		1	
-	477 091 025 A	Ski rack Lockable		1	
-	477 091 035	Roof rack Surfboard support		1	
-	477 800 805 D	Trailer coupling Trailer coupling Installation set Not for (USA),(CDN)		1	
-	477 800 805 E	Trailer coupling Installation set Not for (USA),(CDN)		1	M058
-	928 006 901 00	Sticker Drawbar load Not for (USA),(CDN)		1	924
-	111 919 209 A	Indicator light		1	
-	900 631 129 90	Bulb		1	
-	431 953 231	Relay		1	
-	477 863 539	Luggage net		1	

Model: 924 76

Model life 1976>>1979



Model: 924 76

Model life 1976&gt;&gt;1979

Pos	Part Number	Description	Remark	Qty	Model
3	944 645 951 00	Radio Accessories Loudspeaker HINWEISTEXT VORGÄNGER Attention		X	
-	477 035 904	Set Installation parts for Radio with Antenna Manually Comprising:		1	
-	477 035 503 A	Antenna		1	
-	477 905 209 C	Distributor screening ring		1	
-	944 645 451 00	Loudspeaker Rear Right		1	
3	944 645 951 00	Loudspeaker HINWEISTEXT VORGÄNGER Attention		X	
-	477 035 411 C	Loudspeaker Rear Left And Front		2	
-	477 035 999	Gasket Loudspeaker Rear		2	
-	N 013 962 2	Oval-head sheetmetal screw B 3,9 X 16		X	
-	999 507 071 00	Speed nut B 3,9 X 11,6		X	
-	900 151 028 02	Washer		X	
-	900 151 028 01	Washer		X	
-	477 035 375	Bush		X	
-	477 035 440 A	Cable for loudspeaker Rear Right		1	
-	477 035 441	Cable for loudspeaker Rear Left And Front		1	
3	944 645 951 00	Loudspeaker HINWEISTEXT VORGÄNGER Attention		X	
-	477 035 906	Set Installation parts for Radio with Automatic antenna Comprising:		1	
-	944 645 911 00	Automatic antenna		1	
-	111 971 511	Line distributor		1	
-	477 905 209 C	Distributor screening ring		1	
-	944 645 451 00	Loudspeaker Rear Right		1	

Model: 924 76

Model life 1976>>1979

Pos	Part Number	Description	Remark	Qty	Model
-	944 645 951 00	Loudspeaker HINWEISTEXT VORGÄNGER Attention		X	
-	477 035 411 C	Loudspeaker Rear Left And Front		3	
-	477 035 999	Gasket Loudspeaker Rear		2	
-	N 013 962 2	Oval-head sheetmetal screw B 3,9 X 16		12	
-	999 507 071 00	Speed nut B 3,9 X 11,6		12	
-	900 151 028 02	Washer		12	
-	900 151 028 01	Washer		12	
-	477 035 375	Bush		12	
-	477 035 440 A	Cable for loudspeaker Rear Right		1	
-	477 035 441	Cable for loudspeaker Rear Left And Front		1	
-	477 035 513	Antenna rod for Automatic antenna		1	

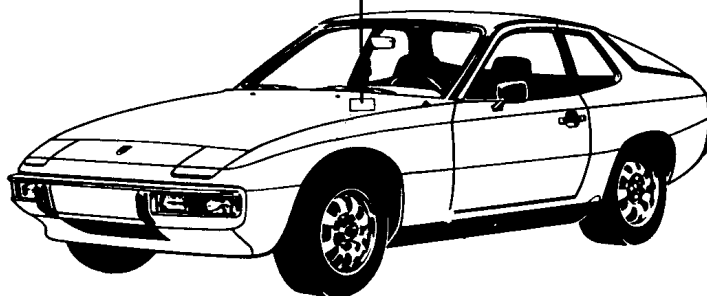
Model: 924 76

Model life 1976>>1979

FARBNUMMER  
COLOUR NUMBER  
NUMERO DE COULEUR  
NUMERO COLORE  
NUMERO DE COLOR

80K 9 2  
GUARDS RED  
INDISCHROT  
G1

FARB BENENNUNG  
COLOUR  
COULEUR  
COLORE  
COLOR





Model: 924 76

Model life 1976&gt;&gt;1979

Pos	Part Number	Description	Remark	Qty	Model
-	911 096 050 00	Lacquers Basic materials Polyester filler 1 KG		X	
-	911 096 051 00	GLASSIT-NON FERRO Hardener 30 GR		X	
-	911 096 052 00	GLASSIT Red Primer filler 1 LTR		X	
-	911 096 053 00	GLASSOFIX Hardener 500 ML		X	
-	911 096 054 00	GLASSOFIX Primer filler 1 LTR		X	
-	911 096 055 00	GLASSODUR Hardener 500 ML		X	
-	911 096 056 00	GLASSODUR Wash primer		X	
-	911 096 057 00	GLASSOFIX 2K Hardener 1 LTR		X	
-	911 096 058 00	GLASSOFIX Polyurethane plastic putty		X	
-	911 096 059 00	Hardener 1 KG		X	
-	911 096 060 00	Thinner 1 LTR		X	
-	911 096 061 00	Hardener 500 ML		X	
-	911 096 062 00	Additional lacquer 1 LTR		X	
-	911 096 063 00	Underbody protection 1 KG		X	
-	L 016 006	Nitro-cellulose thinner 2,5 L		X	
-	000 043 001 00	Tin SN 90 % CA 200 G		X	
-	ALN 769 041	Final acrylic lacquer 1 L Black		X	L 041
-	ALN 769 62Y	Black Paint		X	L 62Y
-	ALN 769 31B	Signal green Scarlet		X	L 31B
-	ALN 769 91Z	Scarlet Atlas white		X	L 91Z
-	ALN 769 87Z	Atlas white Paint		X	L 87Z
-	ALN 769 10A	Maroon Rally yellow		X	L 10A
-	ALN 769 63Z	Rally yellow Paint		X	L 63Z
-	ALN 769 90A	Spanish Green Polar white		X	L 90A
-	ALN 769 32A	Polar white Brocade red Brocade red		X	L 32A

Model: 924 76

Model life 1976&gt;&gt;1979

Pos	Part Number	Description	Remark	Qty	Model
-	ALN 769 93Z	Paint White		X	L 93Z
-	ALN 769 30C	Malaga red Malaga red		X	L 30C
-	911 095 942 60 911 095 942 60 408	Paint Bitter chocolate		X	L 86A
-	ALN 769 90E	Paint Alpine white 78		X	L 90E
-	ALN 769 E1M	Mexico beige Mexico beige		X	L E1M
-	ALN 769 M3A	Paint Guards red		X	L M3A
-	ALN 769 M9V	Paint Mocha black		X	L M9V
-	ALN 769 M7A	Paint Flieder/Lilac Grey Met. Acrylic lacquer Metallic 1 L		X	L M7A
-	LKL 098 Y00	Paint Atlantic Blue		X	98Y
-	LKL 097 Y00	Paint Brown TIZIANBRAUN		X	97Y
-	LKL 096 N00	Paint Peppermint ice		X	96N
-	LKL 097 A00	Paint Diamond silver metallic		X	97A
-	LKL 095 E00	Paint Reseda green		X	95E
-	LKL 095 F00	Paint Copper		X	95F
-	LKL 096 Y00	Paint Malachite		X	96Y
-	LKL 099 F00	Paint Bahama blue		X	99F
-	LKL 099 Y00	Paint Colibri metallic Green		X	99Y
-	LKL 0Y7 V00	Paint Dolomite grey		X	Y7V
-	LKL 0A3 V00	Paint Indiana red		X	A3V
-	LKL 0M5 V00	Paint Petrol blue		X	M5V
-	LKL 0M5 Y00	Paint Minerva blue		X	M5Y
-	911 096 064 00	Clear lacquer GLASSODUR Paint touch-up applicator		X	
-	L 004 101	Paint Black		X	L 041
-	L 062 Y01	Paint Signal green		X	L 62Y
-	L 031 B01	Paint Scarlet		X	L 31B
-	L 091 Z01	Paint Atlas white		X	L 91Z
-	L 087 Z01	Paint Maroon		X	L 87Z
-	L 010 A01	Paint		X	L 10A

Model: 924 76

Model life 1976&gt;&gt;1979

Pos	Part Number	Description	Remark	Qty	Model
-	L 063 Z01	Rally yellow Paint Spanish Green		X	L 63Z
-	L 090 A01	Paint Polar white		X	L 90A
-	L 093 Z01	Paint White		X	L 93Z
-	L 090 E01	Paint Alpine white 78		X	L 90E
-	L 0E1 M01	Paint Mexico beige		X	L E1M
-	L 0M3 A01	Paint Guards red		X	L M3A
-	L 0M9 V01	Paint Mocha black		X	L M9V
-	L 0M7 A01	Paint Flieder/Lilac Grey Met. Paint touch-up applicator Set Comprising: Paint touch-up applicator Top-coat paint Paint touch-up applicator Clear lacquer		X	L M7A
-	L 098 Y01	Paint Atlantic Blue		X	98Y
-	L 097 Y01	Paint Brown TIZIANBRAUN		X	97Y
-	L 096 N01	Paint Peppermint ice		X	96N
-	L 097 A01	Paint Diamond silver metallic		X	97A
-	L 095 E01	Paint Reseda green		X	95E
-	L 095 F01	Paint Copper		X	95F
-	L 096 Y02	Paint Malachite		X	96Y
-	L 099 F01	Paint Bahama blue		X	99F
-	L 099 Y01	Paint Colibri metallic Green		X	99Y
-	L 0Y7 V01	Paint Dolomite grey		X	Y7V
-	L 0A3 V01	Paint Indiana red		X	A3V
-	L 0M5 V01	Paint Petrol blue		X	M5V
-	L 0M5 Y01	Paint Minerva blue		X	M5Y

Model: 924 76

Model life 1976>>1979



Model: 924 76

Model life 1976&gt;&gt;1979

Pos	Part Number	Description	Remark	Qty	Model
-	928 101 921 00	Securing liquid Sealing compound Preservative agent Securing liquid Loctite -270- 10 CCM High strength		X	
-	000 043 012 00	Loctite -221- 10 CCM Low strength		X	
-	000 043 306 48	Loctite -221- 10 CCM Low strength Sealing compound		X	
-	000 043 010 00	Loctite -574- 50 CCM		X	
-	000 043 011 00	Loctite -638- 10 CCM for Balance shaft		X	
-	000 043 013 00	Loctite Adhesive remover -80646- Spraying can		X	
-	AMV 176 000 05	Adhesive sealing compound 310 CCM Loctite for pasting Metal Glass Ceramics Thermoset plastic Adhesive set Comprising:		1	
-	000 043 051 00	Loctite Loctite -317- 50 CCM		X	
-	000 043 202 65	Loctite AKTIVATOR NF 736 180 CCM		X	
-	000 043 019 01	Sealing compound SILASTIK 730 RTV 90 CCM		X	
-	PCG 043 019 01	Sealing compound SILASTIK 730 RTV 90 CCM		X	
-	000 043 004 00	Mounting paste Optimoly ht 1 90-gramme tube		X	
-	000 043 020 00	Optimoly Mounting paste OPTIMOLY - TA 1 100-gramme tube Silver		X	
-	000 043 110 01	Grease OPTITEMP PU35 1 100-gramme tube		X	

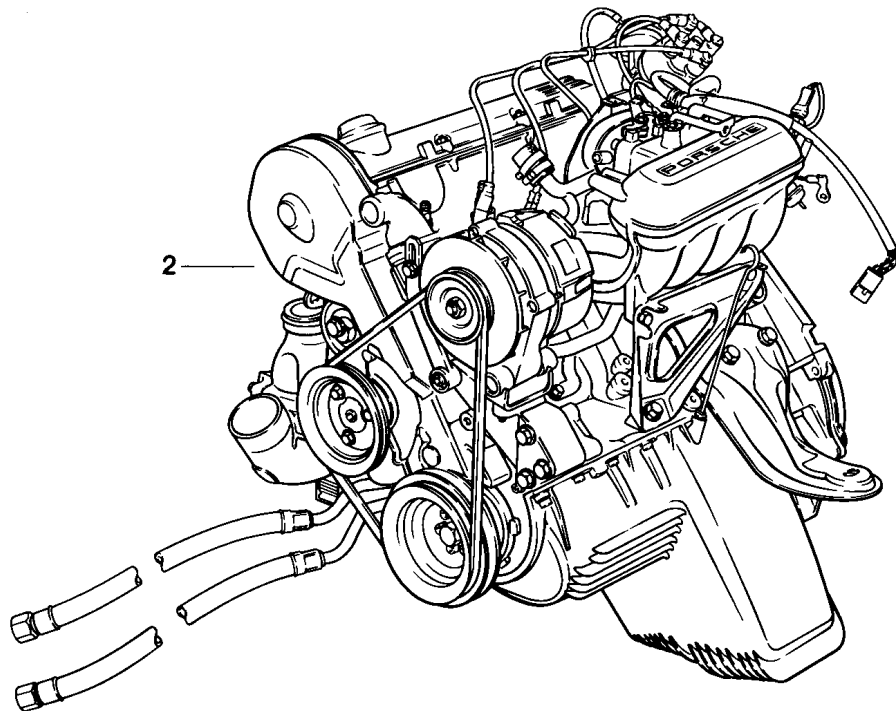
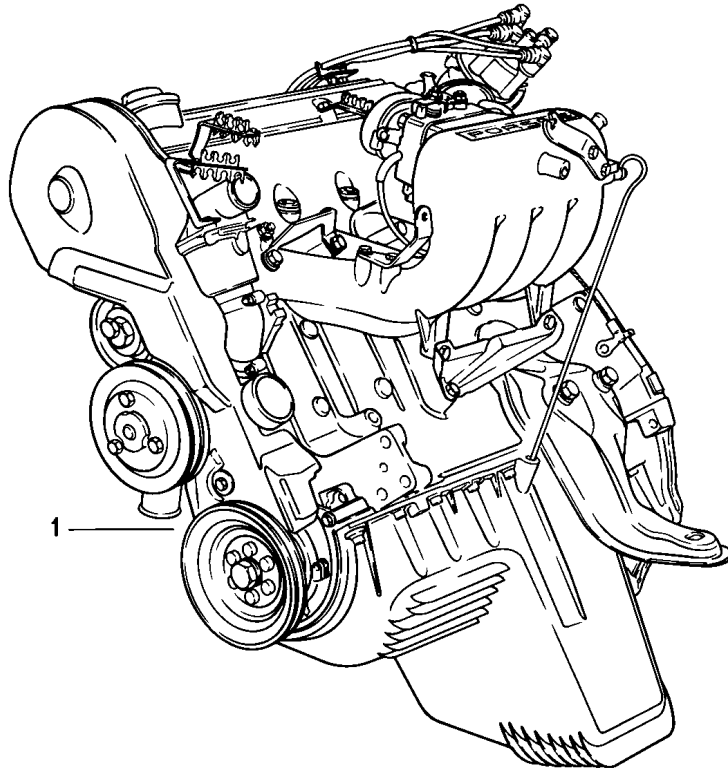
Model: 924 76

Model life 1976&gt;&gt;1979

Pos	Part Number	Description	Remark	Qty	Model
-	000 043 204 21	Grease for lock cylinder Spraying can		X	
-	G 052 778 A2	Grease for lock cylinder Spraying can Preservative agent		X	
-	999 571 062 00	Care kit Comprising: Suitcase		1	
-	999 901 013 40	Liquid preservative		1	
-	999 901 014 41	Car shampoo		1	
-	999 901 015 40	Polisher		1	
-	999 901 016 40	Tar remover		1	
-	999 901 017 40	Dashboard cleaner		1	
-	999 901 018 40	Paint polish		1	
-	999 901 019 41	Insect remover		1	
-	999 901 020 40	Spot remover		1	
-	999 901 021 40	Polishing cotton		1	
-	999 901 022 40	Polishing cloth		1	
-	000 044 000 02	Leather care 250 ML		X	
-	999 901 017 41	Window cleaner Summer 250 ML		X	
-	999 901 017 42	Window cleaner Summer 250 ML		X	
-	000 044 000 87	Window cleaner Summer 250 ML		X	
-	999 901 033 40	Window cleaner Winter 1000 ML		X	
-	999 901 036 40	Car shampoo Refilling bottle 1000 ML		X	
-	999 917 803 00	Window cleaner Spray bottle 250 ML		X	
-	928 628 931 00	Silicone remover 1000 ML		X	
-	000 044 000 93	Silicone remover 1000 ML		X	
-	999 901 030 40	Rim cleaner Spray bottle 500 ML		X	
-	999 901 031 40	Rim cleaner Refilling bottle 1000 ML		X	

Model: 924 76

Model life 1976>>1979



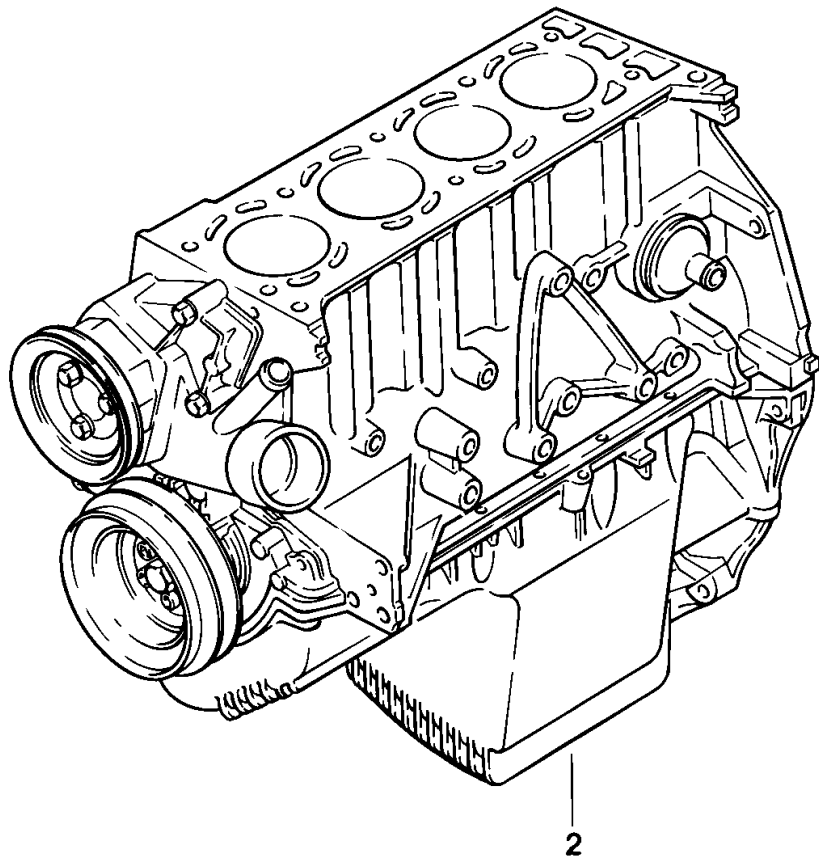
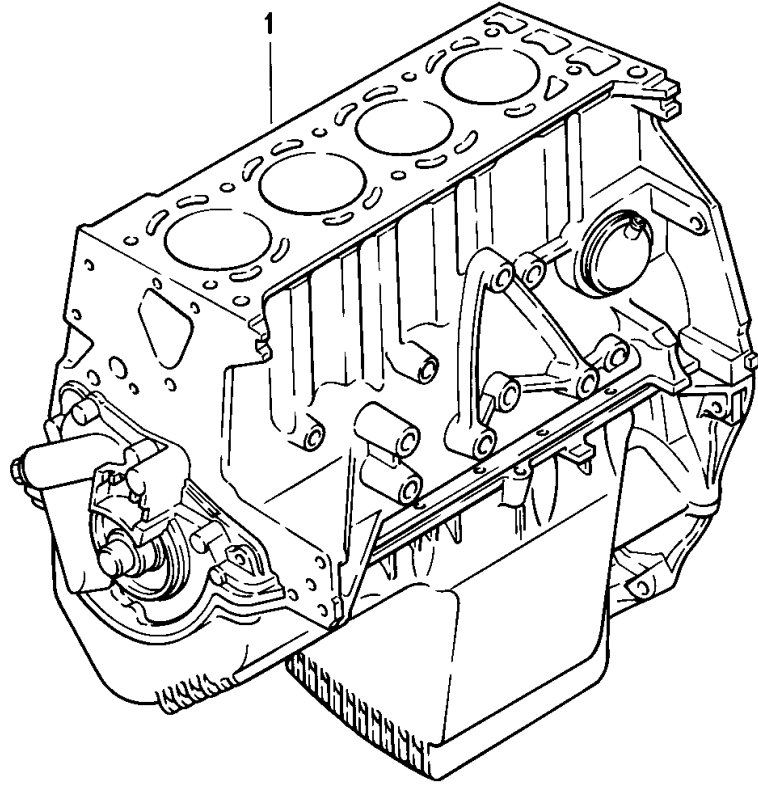
Model: 924 76 Model life 1976>>1979

Pos	Part Number	Description	Remark	Qty	Model
1	047 100 015 D	Replacement engine Replacement engine 74 KW (100 DIN-PS)	77 (CDN) (USA)	1	924 XH
1	047 100 015 H	Replacement engine Replacement engine 74 KW (100 DIN-PS)	77  (J)	1	924 XF (CALIF.)
1	047 100 103 C	Short engine 85 KW (115 DIN-PS)	78- (CDN) (USA) (J)	1	924 XG
1		Short engine 85 KW (115 DIN-PS)	AUT. 78- (CDN) (USA) (J)	1	924 XG
1		Short engine 85 KW (115 DIN-PS)	78-	1	924 XE (CALIF.)
1		Short engine 85 KW (115 DIN-PS)	AUT. 78-	1	924 XE (CALIF.)



Model: 924 76

Model life 1976>>1979



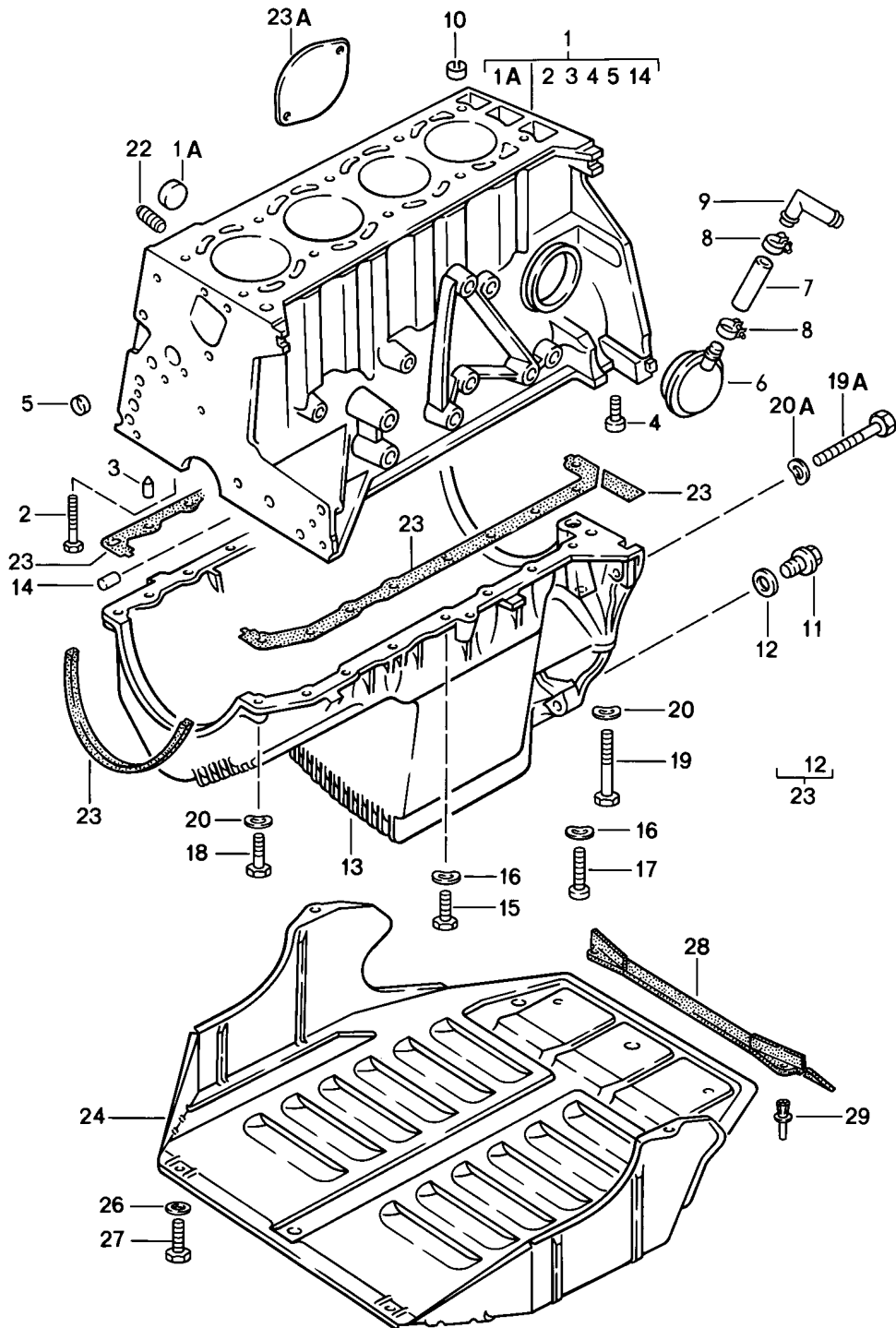
Model: 924 76

Model life 1976>>1979

Pos	Part Number	Description	Remark	Qty	Model
1	047 100 103 A	Short engine with Crankshaft Piston Oil pump	77	1	924 XF XH
1	047 100 103 C	Short engine 74 KW (100 DIN-PS)	78-	1	924 XE XG
		Short engine 85 KW (115 DIN-PS)			

Model: 924 76

Model life 1976>>1979



Model: 924 76 Model life 1976>>1979

Pos	Part Number	Description	Remark	Qty	Model
1	060 103 101 A	Cylinder block with pistons Oil pan Protective plate f. engine	77	1	XF XH
1	047 103 101 A	Cylinder block with pistons	78-	1	XE XG
1A	059 103 113	Lid		5	
2	N 010 488 3	Hexagon-head bolt M 12 X 85		10	
3	999 012 034 00	Straight pin 8 H 6 X 12		10	
4	N 014 724 3	Pan-head screw M 10 X 20		2	
5	N 011 903 3	Lid 16		2	
5	N 011 903 4	Lid 16		2	
(5)	N 011 907 4	Lid 14		1	
6	052 103 129 A	Bleeder		1	924
6	PCG 103 129 A	Bleeder		1	924
-	N 020 343 1	Hose		*	
7		18 X 2,5 MM		1	
8	999 512 346 00	Hose clamp LC 16-25		2	
(9)	047 103 227 A	Elbow		1	
10	046 103 139	Dowel sleeve		2	
11	059 103 193	Screw plug M 26 X 1,5		1	
(11)	N 902 889 01	Screw plug M 14 X 1,5		1	
(11)	N 016 155 4	Screw plug M 14 X 1,5		1	
12	N 043 854 1	Sealing ring C 26 X 32		1	
(12)	900 123 007 30	Sealing ring A 14 X 18		1	
13	047 103 603 A	Oil pan Use also: 047.103.635 047.115.611.A 047.115.641 047.115.645		1	924
14	N 043 207 2	Straight pin 8 H 8 X 14		2	
15	N 014 703 2	Pan-head screw M 6 X 18		13	
16	N 012 226 5	Spring washer		13	
17	N 014 722 2	Pan-head screw M 6 X 60		2	
18	N 014 725 2	Pan-head screw M 8 X 25		2	
18	900 067 018 03	Pan-head screw M 8 X 25		2	
19	N 100 113 01	Hexagon-head bolt M 8 X 140		1	
(19)	N 044 724 2	Pan-head screw M 8 X 70		1	
19A	N 010 479 2	Hexagon-head bolt M 10 X 88		2	
(19A)	N 010 490 3	Hexagon-head bolt		1	

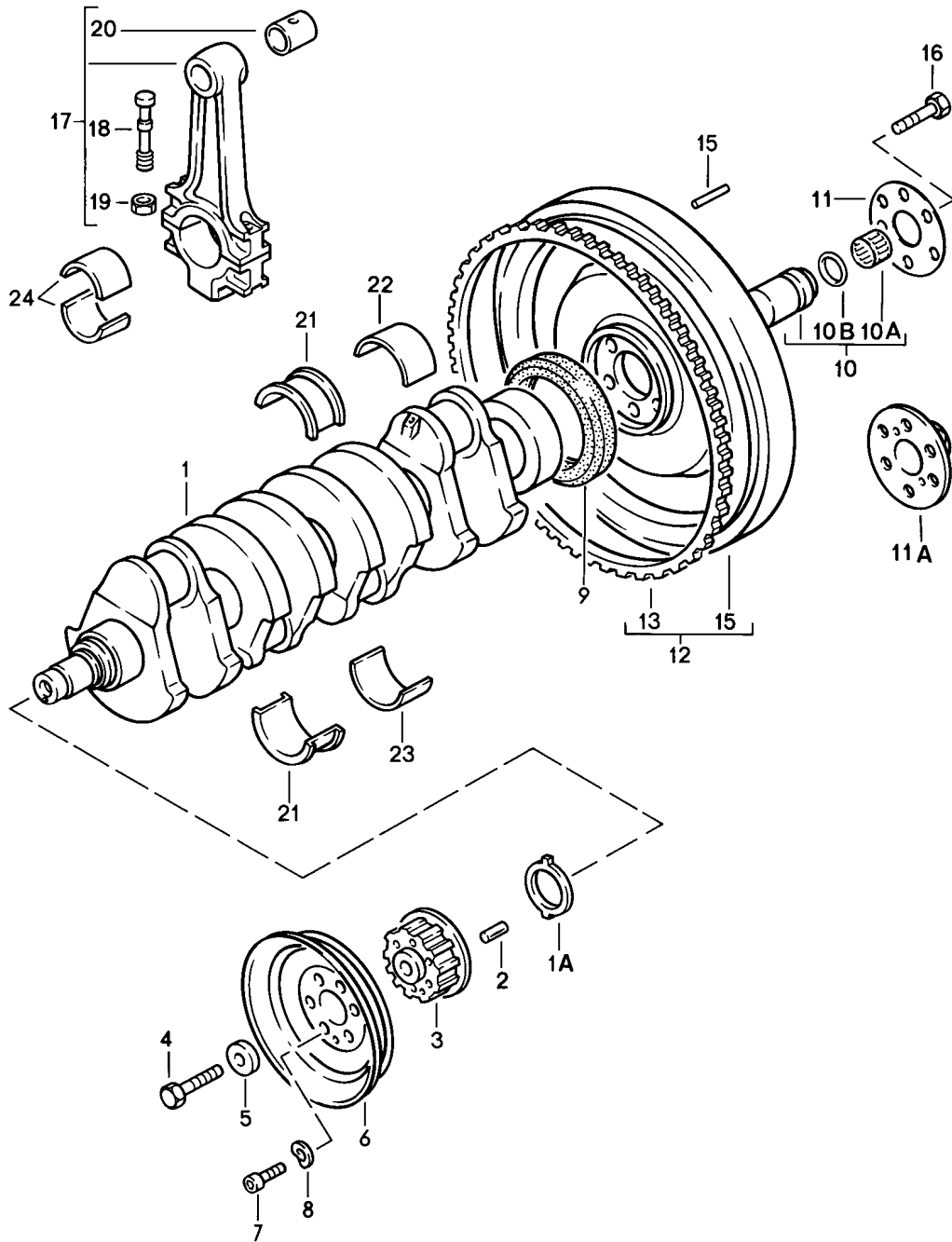
Model: 924 76

Model life 1976>>1979

Pos	Part Number	Description	Remark	Qty	Model
(19A)	900 074 376 01	M 12 X 55 Hexagon-head bolt		1	
(19A)	N 010 467 1	M 12 X 55 Hexagon-head bolt		4	
20	N 012 241 11	M 12 X 45 Spring washer		4	
20A	900 028 032 02	Spring washer		3	
(20A)	900 028 014 02	Washer		4	
(20A)	900 028 014 03	Washer		4	
22	059 115 721	Union		1	924
23	060 198 041 A	Gasket set for oil sump		1	
24	477 407 583 C	Protective plate f. engine Protective plate		1	
25	N 015 433 1	Speed nut	-78	2	924
26	900 151 029 02	Washer	-78	6	924
(26)	900 151 003 02	Washer	79	6	
(26)	900 151 006 03	Washer	79-	6	
27	N 013 976 1	Oval-head sheetmetal screw 6,3 X 13	-78	6	924
(27)	N 010 215 13	Hexagon-head bolt M 6 X 15	79-	6	

Model: 924 76

Model life 1976>>1979



Model: 924 76 Model life 1976>>1979

Pos	Part Number	Description	Remark	Qty	Model
1	048 105 021	Crankshaft Connecting rod Crankshaft M >> XH 00 0022 M >> XF 00 0011		1	XK XF XH
1	046 105 021 A	Crankshaft		1	
1A	046 105 177	Driver		1	
2	N 023 255 1	Roll pin 4 X 12		1	
3	048 105 209	Toothed belt pulley		1	
4	N 900 074 01	Hexagon-head bolt M 16 X 1,5 X 50		1	
5	048 105 235	Washer		1	
6	048 105 255 A	V-belt pulley Simple V-belt	/LL	1	924
(6)	046 105 255 F	V-belt pulley Double V-belt		1	924
(6)	477 105 255	V-belt pulley Triple V-belt		1	
7	N 014 725 2	Pan-head screw M 8 X 25		6	
7	900 067 018 03	Pan-head screw M 8 X 25		6	
8	N 012 241 11	Spring washer B 8		6	
9	059 103 051 D	Sealing ring		1	
10	047 105 169 A	Bearing sleeve with Needle-roller bearing		1	924
10A	047 105 313	Needle-roller bearing		1	924
10B	047 105 311	Shaft sealing ring 15 X 21 X 5/7		1	924
11	046 105 175	Centring washer		1	
11A	047 105 179	Stop	AUT.	1	924
12	046 105 269 A	Flywheel		1	XK XF XH
(12)	047 105 269 C	Flywheel		1	XE XG
(13)	046 105 275 A	Starter ring 8 MM		1	924
15	N 013 210 1	Straight pin 6 M 6 X 16		3	924
16	N 040 110 1	Hexagon-head bolt M 12 X 1,5 X 22		6	924
17	046 198 401	Connecting rod Connecting rod 1 set		1	
18	059 105 425 A	Connecting rod bolt		8	
18	059 105 425 B	Connecting rod bolt		8	
19	059 105 427 A	Hexagon nut		8	
20	059 105 431	Connecting rod bush Crankshaft bearing \$ 60 MM M >> XH 00 0022 M >> XF 00 0011		4	924
21	059 105 501	Crankshaft bearing Thrust bearing Upper		1	
21	059 105 507	Crankshaft bearing Thrust bearing Upper Undersize 0.25 mm		X	

Model: 924 76 Model life 1976>>1979

Pos	Part Number	Description	Remark	Qty	Model
21	059 105 513	Crankshaft bearing Thrust bearing Upper Undersize 0.50 mm		X	
21	059 105 519	Crankshaft bearing Thrust bearing Upper Undersize 0,75 mm		X	
21	059 105 531	Crankshaft bearing Thrust bearing Lower		X	
21	059 105 537	Crankshaft bearing Thrust bearing Lower Undersize 0.25 mm		X	
21	059 105 543	Crankshaft bearing Thrust bearing Lower Undersize 0.50 mm		X	
21	059 105 549	Crankshaft bearing Thrust bearing Lower Undersize 0,75 mm		X	
22	059 105 561	Crankshaft bearing Upper Numbers 1,2,4,5		4	
22	059 105 567	Crankshaft bearing Upper Numbers 1,2,4,5 Undersize 0.25 mm		X	
22	059 105 573	Crankshaft bearing Upper Numbers 1,2,4,5 Undersize 0.50 mm		X	
22	059 105 579	Crankshaft bearing Upper Numbers 1,2,4,5 Undersize 0,75 mm		X	
23	059 105 591	Crankshaft bearing Lower Numbers 1,2,4,5		4	
23	059 105 597	Crankshaft bearing Lower Numbers 1,2,4,5 Undersize 0.25 mm		X	
23	059 105 603	Crankshaft bearing Lower Numbers 1,2,4,5 Undersize 0.50 mm		X	
23	059 105 609	Crankshaft bearing Lower Numbers 1,2,4,5 Undersize 0,75 mm		X	
21	046 105 501	Crankshaft bearing Thrust bearing		2	
21	046 105 507	Crankshaft bearing Thrust bearing Undersize 0.25 mm		X	
21	046 105 513	Crankshaft bearing Thrust bearing Undersize 0.50 mm		X	



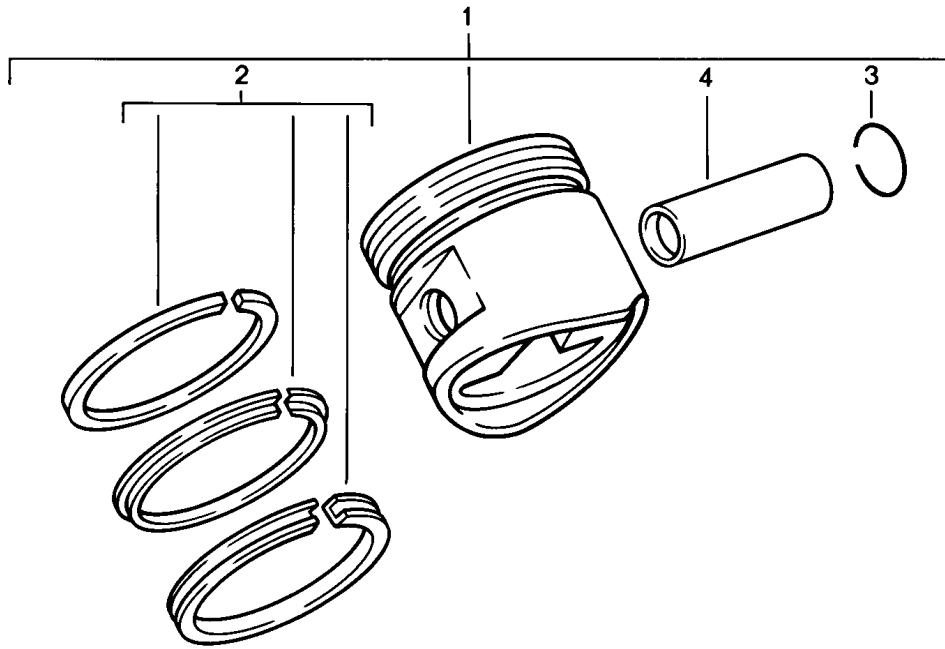
Model: 924 76

Model life 1976&gt;&gt;1979

Pos	Part Number	Description	Remark	Qty	Model
21	046 105 519	Crankshaft bearing Thrust bearing		X	
22	046 105 561	Undersize 0,75 mm Crankshaft bearing Upper		4	
22	046 105 567	Numbers 1,2,4,5 Crankshaft bearing Upper		X	
22	046 105 573	Numbers 1,2,4,5 Undersize 0.25 mm Crankshaft bearing Upper		X	
22	046 105 579	Numbers 1,2,4,5 Undersize 0.50 mm Crankshaft bearing Upper		X	
23	046 105 591	Numbers 1,2,4,5 Undersize 0,75 mm Crankshaft bearing Lower		4	
23	046 105 597	Numbers 1,2,4,5 Crankshaft bearing Lower		X	
23	046 105 603	Numbers 1,2,4,5 Undersize 0.25 mm Crankshaft bearing Lower		X	
23	046 105 609	Numbers 1,2,4,5 Undersize 0.50 mm Crankshaft bearing Lower		X	
24	046 105 701	Numbers 1,2,4,5 Undersize 0,75 mm Connecting-rod bearing		8	
24	046 105 707	Connecting-rod bearing Undersize 0.25 mm		X	
24	046 105 713	Connecting-rod bearing Undersize 0.50 mm		X	
24	046 105 719	Connecting-rod bearing Undersize 0,75 mm		X	

Model: 924 76

Model life 1976>>1979

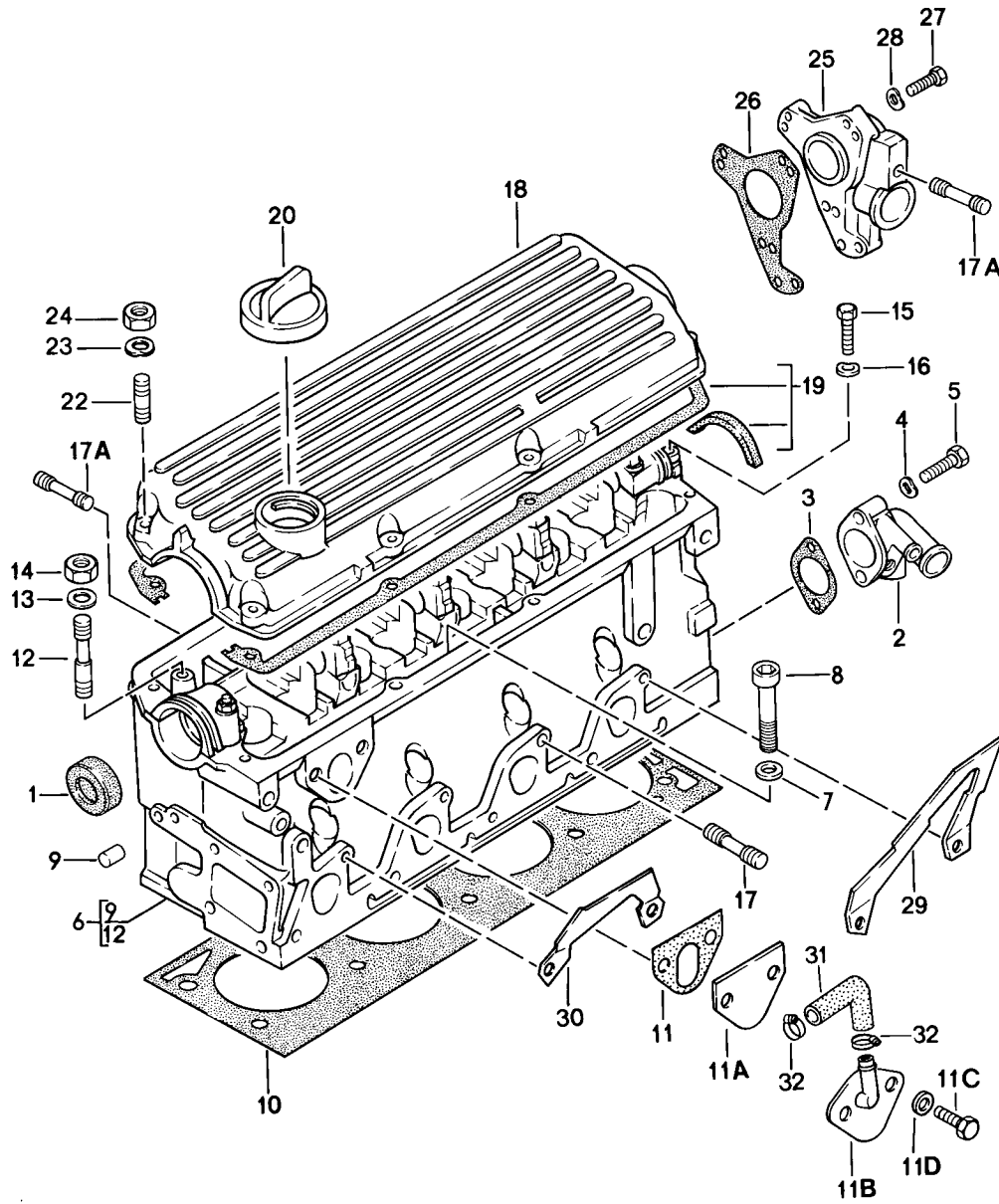


Model: 924 76 Model life 1976>>1979

Pos	Part Number	Description	Remark	Qty	Model
1	046 107 065 046 107 065 001 046 107 065 002 046 107 065 003	Piston Piston rings Piston 86,48 MM 86,49 MM 86,50 MM	77	4	XF XH
1	046 107 071	Piston Oversize 86,75 MM	77	4	XF XH
1	046 107 081	Piston Oversize 87.00 MM	77	4	XF XH
1	047 107 065 A 047 107 065 A 001 047 107 065 A 002 047 107 065 A 003	Piston 86,48 MM 86,49 MM 86,50 MM	78-	4	XE XG
1	047 107 071 A	Piston 1st oversize 86,75	78-	4	XE XG
1	047 107 081 A	Piston 2nd oversize 87,00	78-	4	XE, XG
2	060 198 151	Set of piston rings 86,5 for 1 Piston		4	924
2	060 198 153	Set of piston rings 86,75 for 1 Piston		4	924
2	060 198 155	Set of piston rings 87,00 for 1 Piston		4	924
3	N 012 277 1	Circlip		8	
4	046 107 411	Piston pin		4	924

Model: 924 76

Model life 1976>>1979

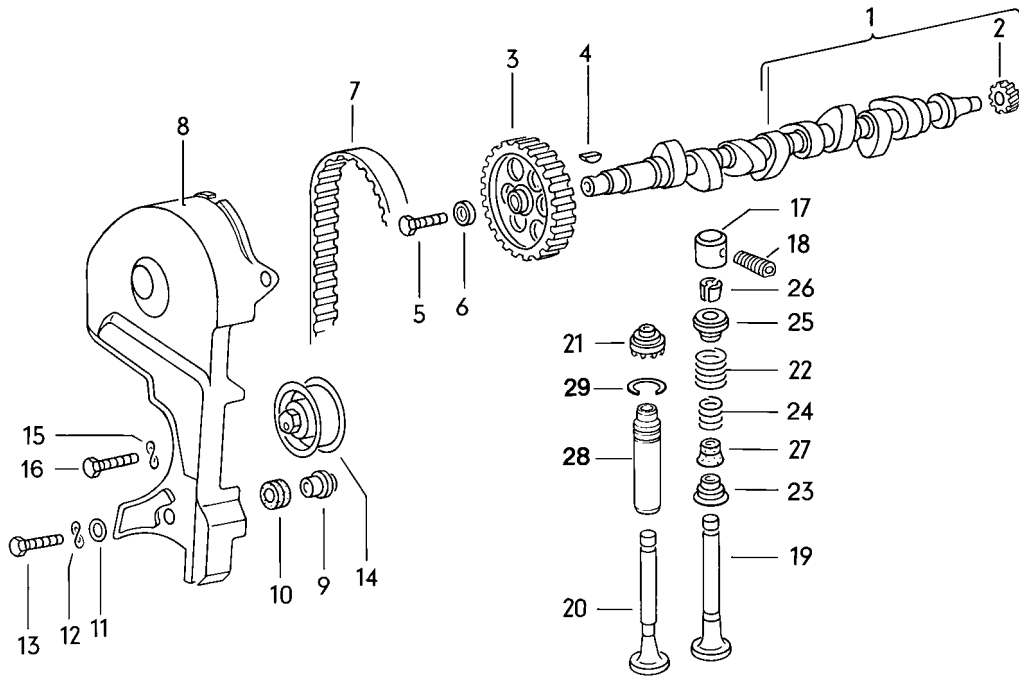


Model: 924 76 Model life 1976>>1979

Pos	Part Number	Description	Remark	Qty	Model
1	068 103 085 A	Cylinder head		1	
1	026 103 085 F	Shaft sealing ring		1	
1	068 103 085 E	Shaft sealing ring		1	
2	047 103 093 B	Flange		1	
2	047 103 093 A	Connecting flange		1	
3	052 121 091 A	Gasket		1	
4	N 012 226 5	Spring washer		2	
5	N 010 221 3	Hexagon-head bolt M 6 X 35		2	924
6	047 103 353 A	Cylinder head	77	1	XF XH
6	047 103 353 B	Cylinder head	78-	1	XE XG
7	059 103 377 A	Washer		10	924
8	N 014 731 2	Pan-head screw M 12 X 115		10	
8	068 103 384 A	Pan-head screw M 12 X 115 Only together with 047.103.383		10	924
9	056 103 379	Stopper		1	
10	931 104 337 06	Cylinder head gasket		1	924
11	028 127 311 A	Gasket		1	924
11A	047 103 113 A	Lid		1	924
12	056 103 397	Stud M 8 X 56		10	
13	900 031 001 02	Washer		10	
13	900 031 105 01	Washer		10	
14	N 011 008 8	Hexagon nut		10	
15	N 010 221 3	Hexagon-head bolt M 6 X 35		2	
16	N 012 226 5	Spring washer		2	
17	N 044 411 5	Stud M 8 X 30		4	924
17A		Stud M 8 X 30		8	924
18	047 103 475	Cylinder head cover		1	
19	060 198 025 A	Gasket set		1	
20	047 103 485	Lid		1	
22	N 044 462 2	Stud M 6 X 25		8	
23	N 012 226 5	Spring washer		8	
24	900 076 010 02	Nut		8	
24	900 076 010 0B	Nut		8	
25	048 905 215 A	Housing for Distributor Driving mechanism		1	
26	048 905 341 B	Gasket		1	
27	N 010 218 6	Hexagon-head bolt 6 X 25		3	924
28	N 012 226 5	Spring washer		3	
29	046 103 391	Engine lifting bracket	/V	1	
30	046 103 392	Engine lifting bracket	/H	1	

Model: 924 76

Model life 1976>>1979



Model: 924 76

Model life 1976>>1979

Pos	Part Number	Description	Remark	Qty	Model
		Camshaft			
		Valves			
1	046 109 021	Camshaft		1	
1	047 109 021	Camshaft	77	1	XF XH
2	048 109 109	Drive wheel		1	
		F.ignition distributor			
3	049 109 111 C	Toothed belt pulley		1	
4	N 012 708 2	Woodruff key		1	
5	N 010 137 1	Hexagon-head bolt		1	
		M 12 X 1,5 X 35			
6	056 109 143	Washer		1	
7	056 109 119 A	Toothed belt		1	
8	048 109 123	Cover for toothed belt		1	XK XE XG
8	047 109 121	Cover for toothed belt		1	XJ XF XH
9	056 109 135	Bearing sleeve		3	
10	056 129 669 B	Grommet		3	
11	N 011 612 3	Washer		3	
11	N 011 612 C	Washer		3	
12	N 012 226 5	Spring washer		3	
13	N 010 218 6	Hexagon-head bolt		3	
		M 6 X 25			
14	056 109 243 D	Tensioning roller		1	
15	N 012 231 1	Spring washer		1	
16	N 010 455 3	Hexagon-head bolt		1	
		M 10 X 55			
17	046 109 311	Cam follower		8	
18	046 109 453 C	Adjusting screw		8	
18	046 109 453 D	Adjusting screw		X	
		1 noctch			
18	046 109 453 E	Adjusting screw		X	
		2 notches			
18	046 109 453 F	Adjusting screw		X	
		3 notches			
18	046 109 453 G	Adjusting screw		X	
		4 notches			
19	046 109 601 A	Intake valve		4	XK XJ XE XG
19	046 109 601	Intake valve	77	4	XF XH
20	046 109 611 A	Exhaust valve		4	924
21	046 109 617	Roto cap		4	924
		Clockwise rotation			
22	046 109 623	Valve spring		8	
		Outer			
23	046 109 629	Concave washer		4	924
		Lower			
		Intake valve			
24	046 109 633	Valve spring		8	
		Inner			
25	059 109 641 A	Concave washer		8	
		Upper			
25	PCG 109 641 A	Concave washer		8	
		Upper			
26	059 109 651	Collet		16	
27	046 109 675 A	Valve stem seal		8	
28	046 103 415 A	Valve guide		4	924
		Exhaust			
		Standard dimension			
		14,04 MM			
		without groove			
28	046 103 419 A	Valve guide		4	924
		Exhaust			
		1st oversize			
		One groove			
		14,24 MM			

Model: 924 76

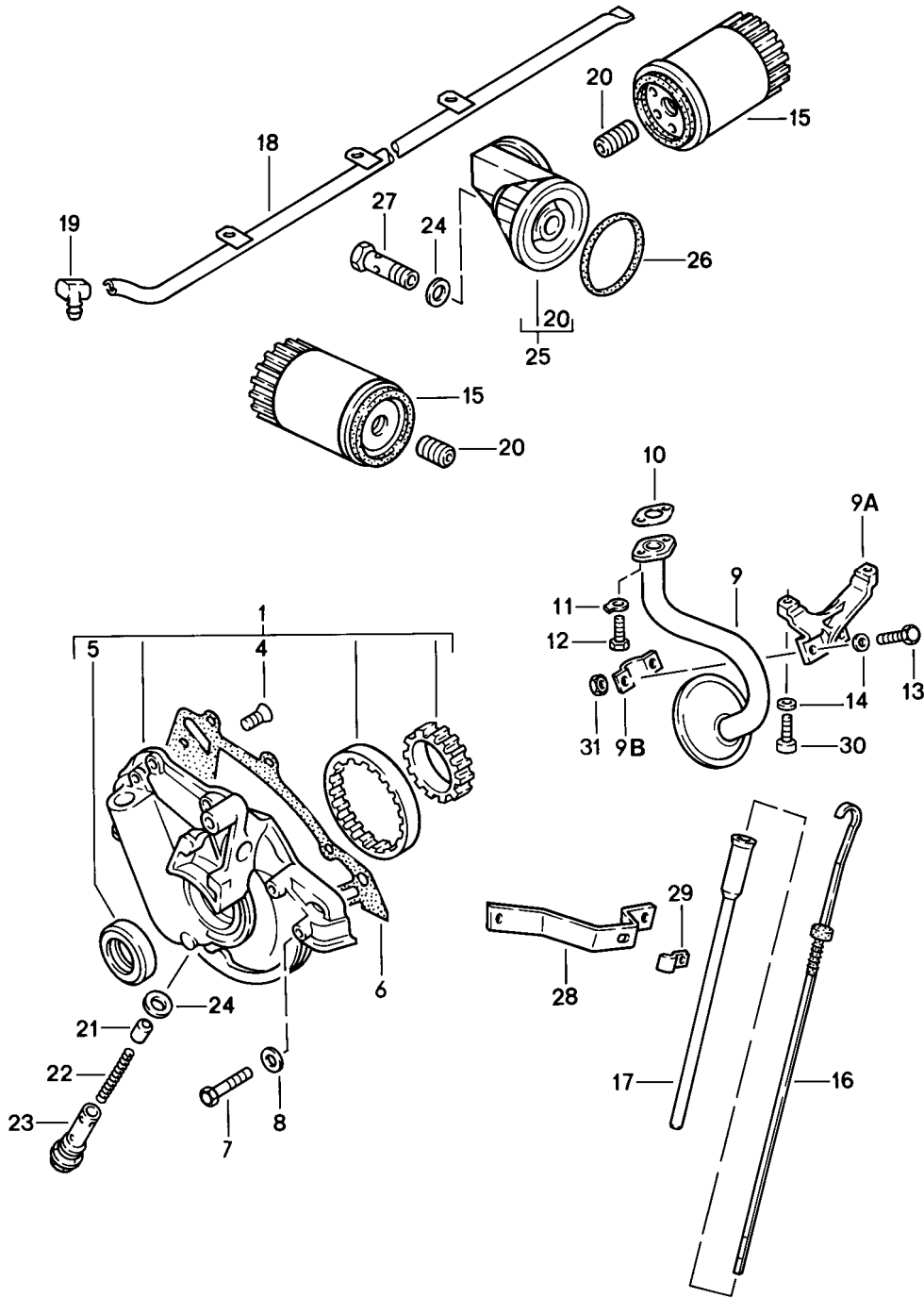
Model life 1976&gt;&gt;1979

Pos	Part Number	Description	Remark	Qty	Model
28	046 103 423 A	Valve guide Exhaust 2nd oversize Two grooves 14,44 MM		4	924
28	048 103 415 A	Valve guide Intake Standard dimension without groove 14,04 MM Only together with 046.109.629		4	924
28	048 103 419 A	Valve guide Intake 1st oversize One groove 14,24 MM Only together with 046.109.629		4	924
28	048 103 423 A	Valve guide Intake 2nd oversize Two grooves 14,44 MM Only together with 046.109.629		4	924
29	N 012 460 1	Circlip		8	



Model: 924 76

Model life 1976>>1979



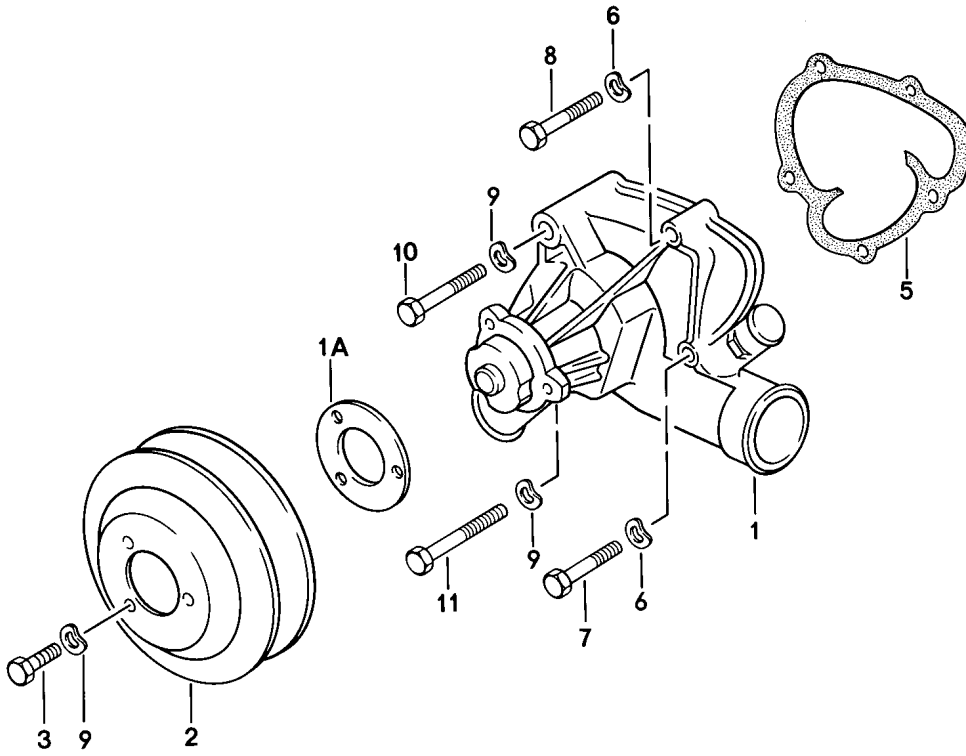
Model: 924 76

Model life 1976&gt;&gt;1979

Pos	Part Number	Description	Remark	Qty	Model
		Engine lubrication			924
1	046 115 105 A	Oil pump		1	
4	N 033 178 1	Countersunk-head screw M 6 X 15		6	
5	048 115 147	Sealing ring 35 X 54 X 10		1	
5	PCG 115 147	Sealing ring 35 X 54 X 10		1	
6	046 115 189 A	Gasket		1	
7	N 010 339 3	Hexagon-head bolt M 6 X 40		5	
7	N 010 347 3	Hexagon-head bolt M 6 X 35		1	
8	900 031 011 02	Washer 6,4		6	
9	047 115 251 B	Intake pipe Use also: 047.115.267.C 047.115.285		1	
9A	047 115 267 C	Retaining bracket		1	
9B	047 115 285	Pipe clamp		1	
10	048 115 257	Gasket		1	
11	048 115 259	Tab washer		1	
12	N 900 572 01	Hexagon socket head bolt M 6 X 15		2	
13	N 010 210 7	Hexagon-head bolt M 6 X 10		1	
14	N 012 226 5	Spring washer		1	
15	931 107 701 00	Oil filter		1	
16	047 115 611	Oil level dipstick with Guide tube 210 MM		1	
16	047 115 611 A	Oil level dipstick without Guide tube 392 MM		1	
-	059 115 625	Sealing ring		1	
17	047 103 635	Guide tube		1	
18	047 115 701	Oil splash tube		1	
19	052 115 707	Adapter		1	
20	059 115 721	Union		1	
21	056 115 411 A	Piston		1	
22	068 115 421	Compression spring		1	
23	046 115 419	Valve housing Relief valve		1	
24	N 043 815 2	Sealing ring A 20 X 24		2	
28	047 115 641	Support		1	
29	047 115 645	Pipe clamp		1	
30	900 067 011 02	Pan-head screw M 6 X 20		2	
30	900 067 011 03	Pan-head screw M 6 X 20		2	
31	900 076 010 02	Nut		2	
31	900 076 010 0B	Nut		2	

Model: 924 76

Model life 1976>>1979



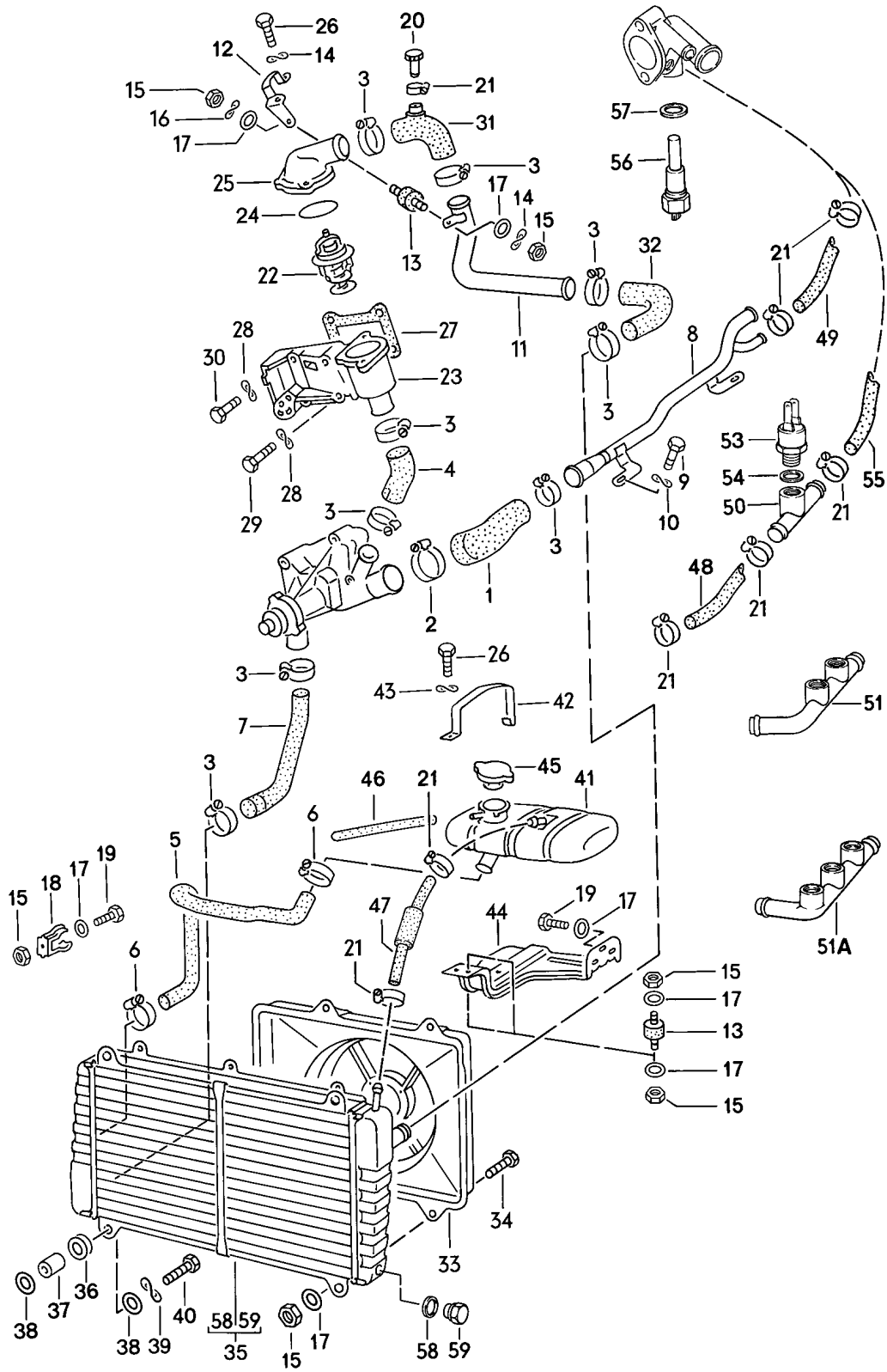
Model: 924 76

Model life 1976&gt;&gt;1979

Pos	Part Number	Description	Remark	Qty	Model
1	060 121 011	Water pump		1	
1	060 121 012	Water pump		1	
1A	046 121 185	Spacer		1	
2	059 121 031	V-belt pulley		1	
3	N 010 237 6	Hexagon-head bolt M 8 X 12	/LL	3	924
3	N 010 237 14	Hexagon-head bolt M 8 X 12	/LL	3	924
(3)	900 075 087 02	Hexagon-head bolt M 8 X 16		3	
(3)	900 075 087 03	Hexagon-head bolt M 8 X 16		3	
5	046 121 041 A	Gasket		1	
6	N 012 226 5	Spring washer		3	
7	N 010 348 4	Hexagon-head bolt M 6 X 45		2	
8	N 010 221 3	Hexagon-head bolt M 6 X 35		1	
9	N 012 229 3	Spring washer		5	
10	N 010 361 4	Hexagon-head bolt M 8 X 65		1	
10	N 010 361 13	Hexagon-head bolt M 8 X 65		1	
11	N 010 373 2	Hexagon-head bolt M 8 X 72		1	

Model: 924 76

Model life 1976>>1979



Model: 924 76 Model life 1976>>1979

Pos	Part Number	Description	Remark	Qty	Model
		Water cooling			924
1	046 121 051	Water hose		1	
2	999 512 348 02	Hose clamp 40-60		1	
3	N 024 516 3	Hose clamp 30-45		9	
3	N 024 516 D	Hose clamp 30-45		9	
4	046 121 053	Water hose		1	
5	047 121 060	Water hose		1	
6	999 512 252 02	Hose clamp 23-35		2	
7	046 121 061	Water hose		1	
8	047 121 073	Water tube		1	
9	900 075 087 02	Hexagon-head bolt M 8 X 16		1	
9	900 075 087 03	Hexagon-head bolt M 8 X 16		1	
10	900 027 015 02	Lock ring		1	
10	900 027 015 03	Lock ring		1	
11	047 121 073 A	Water tube		1	
12	047 121 094	Support		1	
13	999 703 239 00	Bonded rubber buffer		3	
14	N 012 226 5	Spring washer		3	
15	900 076 010 02	Nut		11	
15	900 076 010 0B	Nut		11	
16	N 012 226 5	Spring washer		1	
17	N 011 524 7	Washer		14	
17	N 011 524 27	Washer		14	
18	046 121 095 A	Hose clamp		2	
19	N 010 215 13	Hexagon-head bolt M 6 X 15		5	
20	046 121 099	Stopper		1	
21	999 512 554 00	Hose clamp 12-20		5	
22	059 121 113 B	Thermostat 83 degree c		1	
22	059 121 113 A	Thermostat 87 degree c		1	
23	048 121 117	Housing		1	
24	038 121 119 B	Sealing ring		1	
25	059 121 121	Lid		1	
26	N 010 217 9	Hexagon-head bolt M 6 X 20		3	
27	048 121 127 A	Gasket		1	
28	N 012 229 3	Spring washer		4	
29	N 010 335 5	Hexagon-head bolt M 8 X 35		2	
29	900 075 032 03	Hexagon-head bolt M 8 X 35		2	
30	900 075 029 09	Hexagon-head bolt M 8 X 25		2	
30	900 075 029 03	Hexagon-head bolt M 8 X 25		2	
31	047 121 175	Hose elbow		1	
32	931 106 157 00	Hose elbow		1	
33	477 121 207 C	Fan cowl		1	
(33)	477 121 207 E	Fan cowl for Air conditioner		1	
34	N 010 210 7	Hexagon-head bolt M 6 X 12		4	
35	477 121 251 A	Radiator		1	

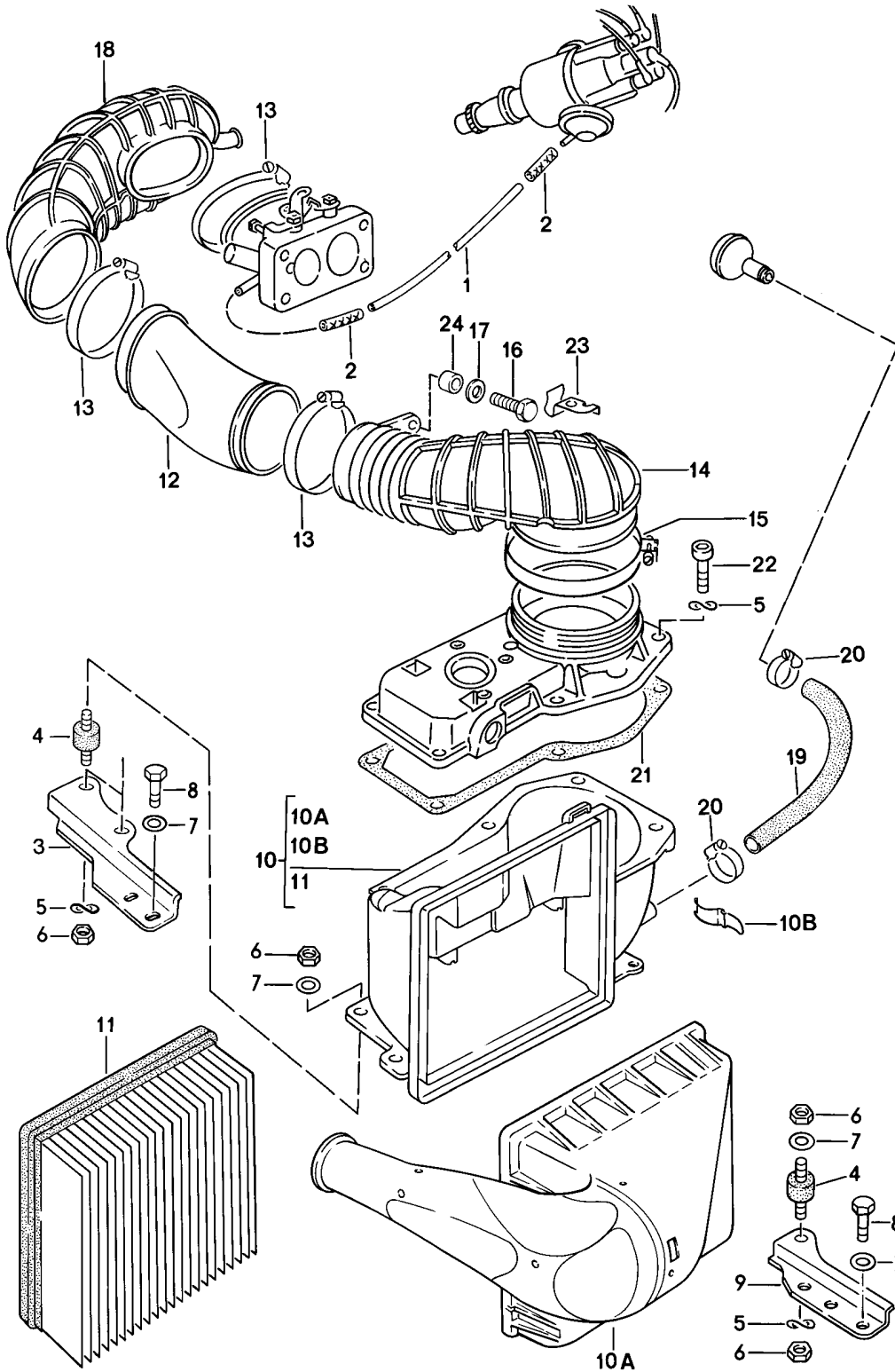
Model: 924 76

Model life 1976>>1979

Pos	Part Number	Description	Remark	Qty	Model
36	056 129 669 B	Grommet		4	
37	052 109 135	Spacer sleeve		4	
38	N 011 612 3	Washer		8	
38	N 011 612 C	Washer		8	
39	N 012 226 5	Spring washer		4	
40	N 010 218 6	Hexagon-head bolt M 6 X 25		4	
41	028 121 405 A	Expansion tank		1	
42	028 121 409	Restraining strap		1	
43	N 012 036 5	Lock ring		1	
44	477 121 413 B	Support		1	
45	028 121 453	Lid		1	
-	N 020 281 1	Hose		*	
46		7 X 2,5 MM		1	
47	477 121 105	Water hose		1	
48	810 819 371 D	Hose		1	
49	810 819 371 G	Hose		1	
50	056 121 167	Connecting piece		1	
51	047 121 167 B	Connecting piece		1	
(51)	047 121 167 A	Connecting piece		1	(CALIF.)
51A	047 121 167 C	Connecting piece		1	
55	047 121 621 A	Water hose		1	
56	043 906 163 A	Temperature time switch		1	
56	928 605 101 00	Temperature time switch		1	
56	928 605 101 02	Temperature time switch		1	
57	900 123 007 30	Sealing ring A 14 X 18		1	
58	900 123 050 20	Sealing ring A 8 X 11,5		1	
59	N 016 158 1	Screw plug AM 8 X 1		1	

Model: 924 76

Model life 1976>>1979





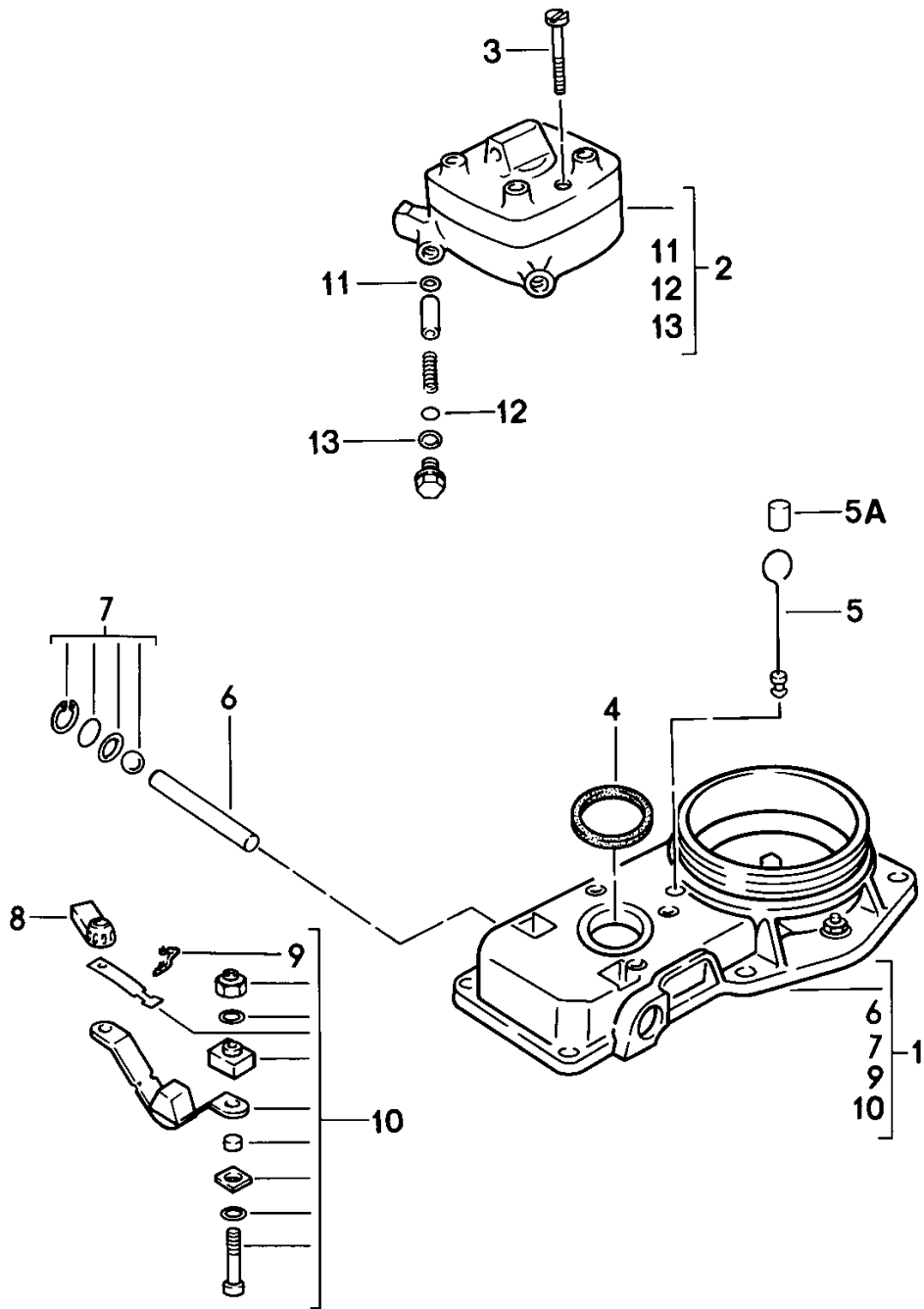
Model: 924 76

Model life 1976>>1979

Pos	Part Number	Description	Remark	Qty	Model
-	N 020 139 1	Air cleaner system		*	924
1		Hose		1	
		4 X 1			
		700 MM			
-	N 020 353 5	Hose		*	
2	PCG 020 353 5	Hose		X	
		3,5 X 2 X 5000			
2		40 MM		2	
3	047 129 545	Bracket		1	
4	999 703 239 00	Bonded rubber buffer		3	
5	N 012 226 5	Spring washer		9	
6	900 076 010 02	Nut		6	
6	900 076 010 0B	Nut		6	
7	N 011 524 7	Washer		6	
7	N 011 524 27	Washer		6	
8	N 010 215 13	Hexagon-head bolt		4	
		M 6 X 15			
9	047 129 547	Bracket		1	
10	477 129 611 B	Air cleaner		1	
		Ready for installation			
10A	047 129 615 B	Air cleaner cover		1	
		without			
		Clamp			
10B	055 129 635	Retaining clip		4	
11	021 129 620	Air cleaner cartridge		1	
12	047 133 083	Intake manifold		1	XJ XK XF
12	047 133 083 A	Intake manifold	78-	1	XH
13	999 512 350 02	Hose clamp		3	XE XG
		80-100			
14	047 133 367 E	Hose		1	
		Use also:			
		477.133.579			
		999.501.029.30			
		N .024.125.2			
-	477 133 579	Spacer sleeve		1	
-	999 703 385 40	Stopper		1	
-	N 024 125 2	Hose clamp		1	
		9 X 19			
15	N 024 521 1	Hose clamp		1	
		A 12 X 126			
16	900 075 014 02	Hexagon-head bolt		1	
		M 6 X 18			
16	900 075 014 03	Hexagon-head bolt		1	
		M 6 X 18			
17	900 151 029 02	Washer		1	
18	047 133 367 C	Hose		1	
19	N 020 343 1	Hose		1	
		Running meter			
(19)	N 020 374 1	Hose		1	
		Running meter			
20	999 512 346 00	Hose clamp		2	
		LC 16 - 25			
21	049 133 379 A	Gasket		1	
22	900 067 009 02	Pan-head screw		6	
		M 6 X 15			
22	900 067 429 01	Pan-head screw		6	
		M 6 X 15			
23	477 133 523	Retainer spring		1	
24	047 133 091	Spacer sleeve		1	

Model: 924 76

Model life 1976>>1979



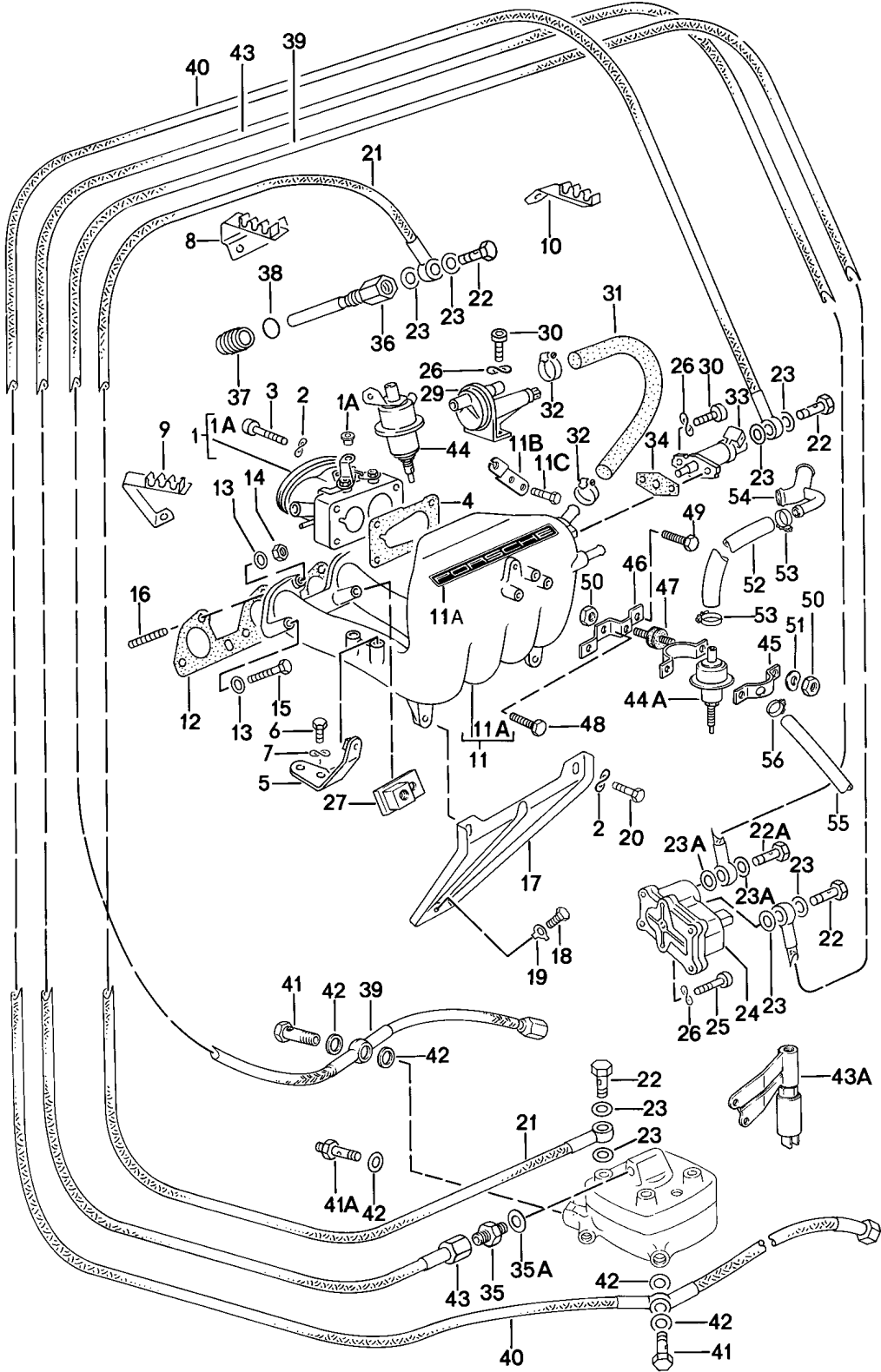
Model: 924 76

Model life 1976>>1979

Pos	Part Number	Description	Remark	Qty	Model
		K-jetronic Mixture control unit			924
1	047 133 471	Mass air flow meter	77	1	XF XH
1	047 133 471 B	Mass air flow meter	78-	1	XE XG
2	063 133 481	Fuel distributor		1	
-	063 133 481 X	Fuel distributor		1	
3	049 133 483	Oval-head screw		3	
4	049 133 485 A	Sealing ring		1	
5	911 110 934 00	Stopper		1	
6	911 110 941 00	Straight pin		1	
7	911 110 946 00	Parts kit		1	
		Control lever			
8	911 110 929 00	Safety contact		1	
9	911 110 921 00	Clamp		1	
10	911 110 947 00	Parts kit		1	
		Stop bar			
11	911 110 936 00	Sealing ring		1	
12	911 110 937 00	Shim		X	
		0,10 MM			
(12)	911 110 937 01	Shim		X	
		0,50 MM			
13	900 123 033 20	Sealing ring		1	

Model: 924 76

Model life 1976>>1979



Model: 924 76 Model life 1976>>1979

Pos	Part Number	Description	Remark	Qty	Model
		for			
		K-jetronic			924
1	047 133 063 A	Throttle body	78	1	XF XH
1	047 133 063 C	Throttle body		1	XG
1	047 133 063 H	Throttle body	AUT. 79	1	XG
1	047 133 063 E	Throttle body		1	XE
1	047 133 063 J	Throttle body	AUT. 79	1	XE
1A	823 721 567	Bearing sleeve		1	
2	N 012 241 11	Spring washer		6	
3	N 014 717 2	Pan-head screw		4	
		M 8 X 40			
4	049 133 073 B	Gasket		1	
5	047 133 093 A	Support		1	
6	N 010 215 13	Hexagon-head bolt		2	
		M 6 X 15			
7	N 012 226 5	Spring washer		2	
8	047 133 192	Support		1	
9	047 133 191 D	Support		1	
10	047 133 191 C	Support		1	
-	021 119 569 A	Rubber sleeve		1	
(11)	477 133 201 C	Intake manifold		1	
11A	931 110 403 00	Logo	79	1	
11B	047 133 239	Support	/LL	1	
11C	N 010 215 13	Hexagon-head bolt		2	
		M 6 X 15			
-	N 012 226 5	Spring washer		2	
12	477 133 227	Gasket		1	
13	N 011 525 13	Washer		8	
14	N 011 008 8	Hexagon nut		4	
15	N 010 373 2	Hexagon-head bolt		4	
		M 8 X 72			
16	N 044 411 5	Stud		4	
		M 8 X 30			
17	048 129 723	Bracket		1	
18	900 075 087 02	Hexagon-head bolt		1	
		M 8 X 15			
18	900 075 087 03	Hexagon-head bolt		1	
		M 8 X 15			
19	999 039 001 00	Tab washer		1	
20	N 010 240 7	Hexagon-head bolt		2	
		M 8 X 20			
21	047 133 315	Injection line		2	
		Cyl. 1 and 2			
(21)	047 133 319	Injection line		1	
		Cylinder 3			
(21)	047 133 321	Injection line		1	
		Cylinder 4			
22	911 110 899 00	Banjo bolt		11	
22A	900 175 002 02	Screw		1	
23	900 123 050 20	Sealing ring		22	
		A 8 X 11,5			
23A	900 123 033 20	Sealing ring		2	
		A 10 X 14			
24	063 133 403	Warm-up valve		1	
-	063 133 403 X	Warm-up valve		1	
25	N 014 744 1	Pan-head screw		2	
		M 6 X 32			
26	N 012 226 5	Spring washer		6	
27	477 133 535	Support		1	
		Temperature switch			
29	063 133 453	Auxiliary air regulator		1	
-	477 133 527	Retaining clip		1	
30	N 014 703 2	Pan-head screw		4	

Model: 924 76 Model life 1976>>1979

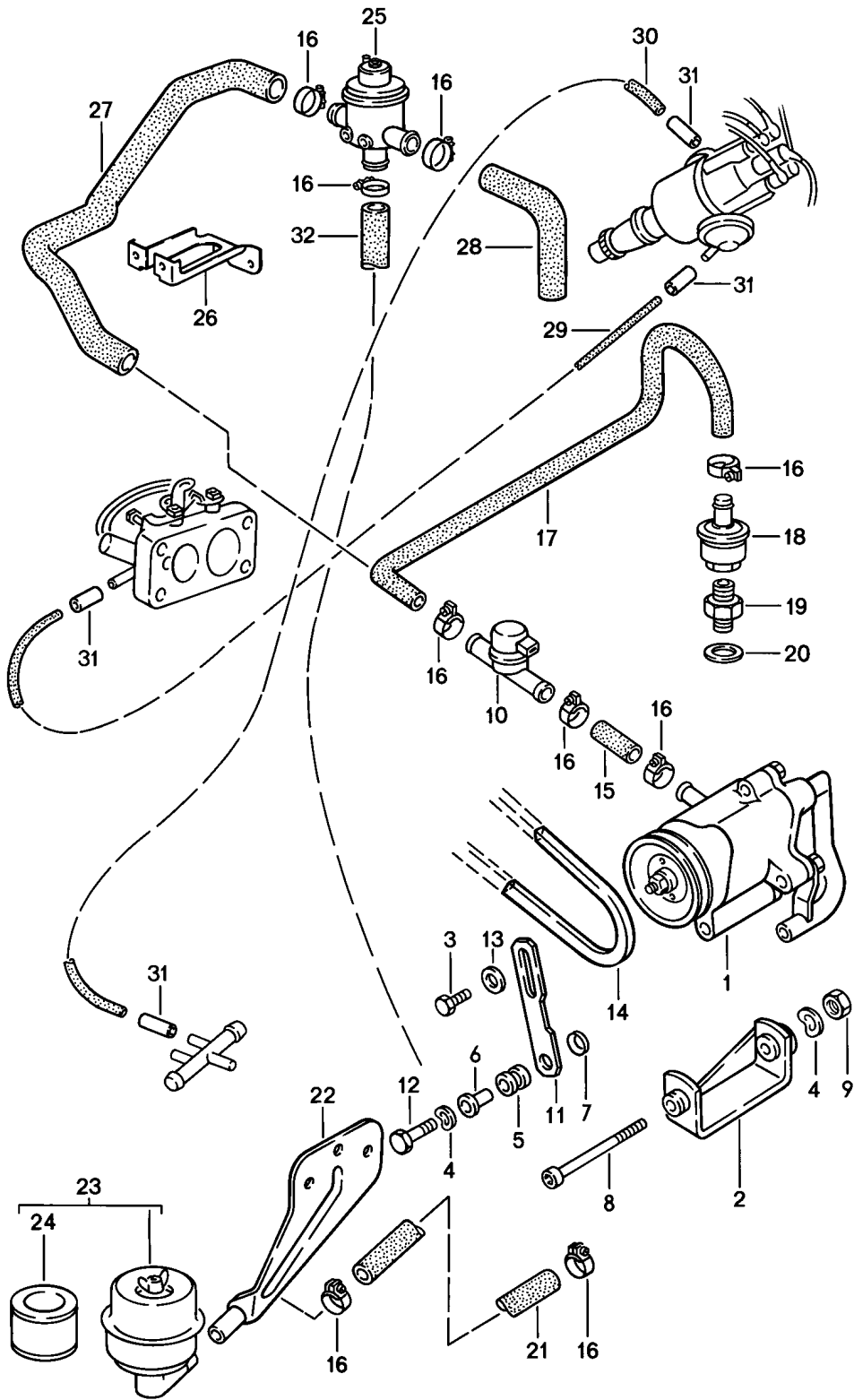
Pos	Part Number	Description	Remark	Qty	Model
31	047 133 497 B	M 6 X 18 Hose		1	
32	999 512 346 00	Hose clamp 12-20		2	
33	930 606 107 00	Electric starting valve		1	
34	063 906 179	Gasket		1	
34	026 906 179 A	Gasket		1	
34	050 906 179	Gasket		1	
35	063 133 541	Screw socket		1	
35	063 133 558	Screw socket		1	
35A	068 130 233	Sealing ring A 8 X 11,5		1	
36	047 133 551	Injector valve		4	
37	063 133 555	Insulating socket		4	
38	034 133 557 E	O-ring		4	
39	047 133 625	Fuel return line F >>92472 04133 F >>92473 00149		1	
(39)	047 133 625 A	Fuel return line F 92472 04134>> F 92473 00150>> F 92482 01226>> F >>92482 08017 F 92483 30099>> F >>92483 30325 Use also: 477.209.175 477.209.176.A 477.209.161	-78	1	
(39)	047 133 625 C	Fuel return line	79	1	
40	047 133 627	Fuel supply line		1	
41	N 021 071 2	Banjo bolt		2	
41A	047 133 691	Screw socket	-78	1	
42	N 013 812 3	Sealing ring A 12 X 15,5		4	
43	047 133 655	Fuel control line	-78	1	
(43)	047 133 655 B	Fuel control line	79	1	
-	047 133 688	Support Fuel line		1	
43A	477 133 525 D	Solenoid valve with Support From 02/77	79	1	
44A	047 131 013 A	Vacuum limiter	(J) (S) (CDN) (USA)	1	
45	047 131 039	Clip		2	
46	047 131 455 A	Bracket		1	
47	999 703 239 00	Bonded rubber buffer		2	
48	N 010 215 13	Hexagon-head bolt M 6 X 15		1	
49	900 075 014 02	Hexagon-head bolt M 6 X 18		1	
49	900 075 014 03	Hexagon-head bolt M 6 X 18		1	
50	900 076 010 02	Nut		4	
50	900 076 010 0B	Nut		4	
51	N 012 226 5	Spring washer		4	
52	N 020 359 1	Hose Running meter		1	
53	N 023 526 2	Hose clamp A 9 X 18		4	
54	047 131 461 A	Branch socket		1	

Model: 924 76 Model life 1976>>1979

Pos	Part Number	Description	Remark	Qty	Model
55	N 020 361 2	Hose Running meter		1	
56	999 512 346 00	Hose clamp LC 16 - 25		2	
>>	047 198 597	Installation set for Warm-starting problem		1	
-	477 133 517	Solenoid valve		1	
-	477 133 509	Retaining bracket		1	
-	900 067 008 02	Pan-head screw M 6 X 12		2	
-	900 067 008 03	Pan-head screw M 6 X 12		2	
-	N 012 226 5	Spring washer		2	
-	477 133 503	Fuel supply line Solenoid valve Fuel distributor		1	
-	477 133 511 A	Screw socket		1	
-	N 021 073 1	Banjo bolt M 8 X 1		1	
-	900 123 050 20	Sealing ring		2	
-	477 133 501	Fuel return line		1	
-	477 133 507	Banjo bolt		1	
-	911 110 899 00	Banjo bolt		1	
-	477 133 511	Screw socket		1	
-	900 123 050 20	Sealing ring		2	
-	047 131 851 B	Temperature switch		1	
-	N 011 116 5	Hexagon nut		1	
-	477 133 535	Support for Temperature switch		1	
-	477 971 229	Wiring harness		1	
-	477 971 850 A	Tie-wrap		1	
-	900 123 050 20	Sealing ring		2	
-	911 110 159 00	Screw socket		1	
-	000 043 100 00	Installation instructions		1	

Model: 924 76

Model life 1976>>1979





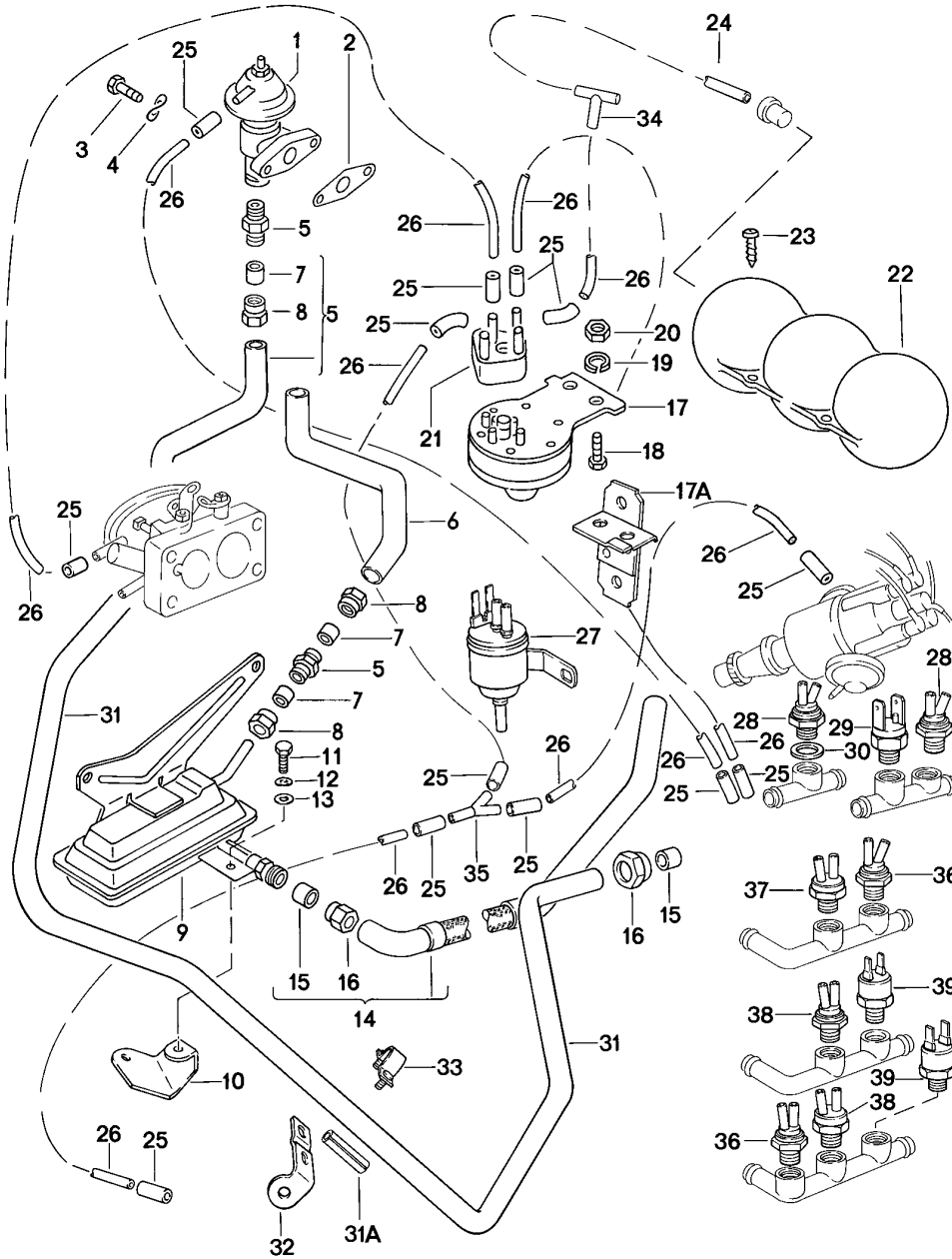
Model: 924 76

Model life 1976&gt;&gt;1979

Pos	Part Number	Description	Remark	Qty	Model
		Air injection			924
1	047 131 021	Air pump		1	
2	047 131 075 B	Bracket		1	
3	900 075 083 02	Hexagon-head bolt M 8 X 25		1	
4	N 012 241 11	Spring washer		2	
5	059 903 263 A	Rubber bush		1	
6	059 903 127 A	Bearing		1	
7	059 903 265 A	Concave washer		1	
8	N 100 113 01	Hexagon-head bolt M 8 X 140		1	
9	N 011 008 8	Hexagon nut		1	
10	058 131 027	Valve		1	
11	048 131 093 A	Clamp		1	
12	N 010 335 5	Hexagon-head bolt M 8 X 35		1	
12	900 075 032 03	Hexagon-head bolt M 8 X 35		1	
13	900 223 001 02	Washer		1	
14	048 131 121	V-belt		1	
-	N 020 343 1	Hose		*	
15		350 MM		1	
16	999 512 346 00	Hose clamp LC 16-25		6	
17	047 131 191	Moulded hose		1	
18	058 131 603	Check valve		1	
19	058 129 963	Union		1	
20	N 043 815 2	Sealing ring A 20 X 24		1	
-	N 020 370 1	Hose 17 X 2,5		*	
21		225 MM		1	
22	047 131 629	Support		1	
23	047 131 801	Air cleaner		1	
24	113 131 123	Filter element for F 92472 30050>> F 92473 30050>>		1	
25	047 131 109	Valve		1	
27	047 131 191 A	Moulded hose		1	
28	047 131 192	Moulded hose		1	
29	N 020 139 1	Hose		1	
-		Hose 4 X 1		*	
-	N 020 353 5	Hose		*	
31	PCG 020 353 5	Hose 3,5 X 2 X 5000		X	
31		40 MM		4	
32	477 131 191	Moulded hose		1	

Model: 924 76

Model life 1976>>1979



Model: 924 76

Model life 1976>>1979

Pos	Part Number	Description	Remark	Qty	Model
1	049 131 503 A	Exhaust gas recirculation Valve		1	924 XF XH XG
1	049 131 503 F	Egr valve		1	XF XH XG
1	047 131 503 B	Egr valve	AUT.	1	XE XG
1		Egr valve		1	XE
		F >>92482 01409			
1	047 131 503 C	Egr valve		1	XE
		F 92482 01410>>			
2	047 131 547	Gasket		1	
3	N 010 218 6	Hexagon-head bolt		2	
		M 6 X 25			
4	N 012 226 5	Spring washer		2	
5	N 020 755 1	Union		2	
6	047 131 632 A	Pipeline		1	
7	N 020 822 1	Cutting ring		3	
8	N 021 023 1	Union nut		3	
9	047 131 623	Exhaust gas filter		1	
10	047 131 641	Strut		1	
11	900 075 087 02	Hexagon-head bolt		2	
		8 X 16			
11	900 075 087 03	Hexagon-head bolt		2	
		8 X 16			
12	N 012 241 11	Spring washer		2	
13	N 011 525 13	Washer		2	
14	047 131 631 E	Exhaust pipe		1	
15	N 020 824 1	Cutting ring		2	
16	N 021 026 2	Union nut		2	
17	063 131 537	Vacuum booster		1	
17A	047 131 685 A	Support		1	
18	999 072 005 09	Hexagon nut		2	
		M 6 X 12			
18	999 072 005 01	Hexagon nut		2	
		M 6 X 12			
19	N 012 226 5	Spring washer		2	
20	900 076 010 02	Nut		2	
20	900 076 010 0B	Nut		2	
21	049 131 185	Distributing piece		1	
22	058 131 541	Vacuum tank		1	
23	N 090 186 1	Tapping screw		2	
		B 4,8 X 13			
-	N 020 140 2	Pipe		*	
		5 X 1			
24		575 MM		1	
-	N 020 353 5	Hose		*	
25	PCG 020 353 5	Hose		X	
		3,5 X 2 X 5000			
25		40 MM		X	
-	N 020 139 1	Hose		*	
		4 X 1			
		Running meter			
27	047 906 283	Diverter valve		1	
28	058 131 851 A	Thermo valve		1	
29	477 959 470	Temperature switch		1	
30	N 013 808 3	Sealing ring		X	
		F 92472 30050>>			
		F 92473 30050>>			
31	047 131 631 G	Exhaust pipe		1	
31A	047 131 677	Protective tube		1	
32	047 131 649 G	Support		1	
33	047 131 645	Pipe clamp		2	
34	999 137 004 40	T-piece		1	
35	056 129 971	Y-piece		1	
-	N 020 806 1	Screw socket		1	

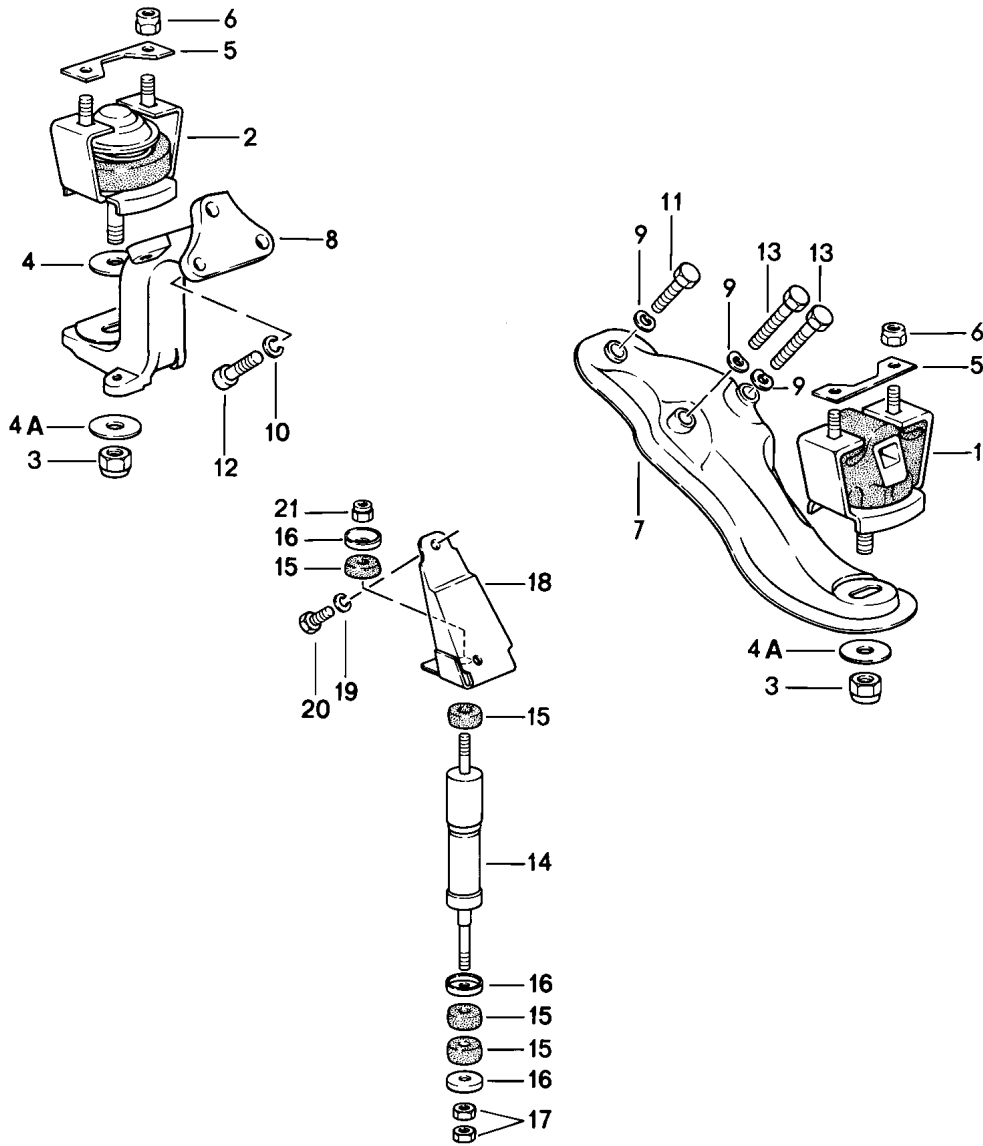
Model: 924 76

Model life 1976>>1979

Pos	Part Number	Description	Remark	Qty	Model
-	N 013 820 3	Sealing ring 16 X 20		1	
36	047 131 851	Temperature switch		1	
37	047 131 851 A	Temperature switch F 92482 00060>>		1	
38	058 131 851 A	Thermo valve		1	
39	047 131 851 B	Temperature switch		1	

Model: 924 76

Model life 1976>>1979



Model: 924 76

Model life 1976&gt;&gt;1979

Pos	Part Number	Description	Remark	Qty	Model
1	477 199 301	Engine suspension Bonded rubber mounting	/L	1	924
2	477 199 303	Bonded rubber mounting	/R	1	
3	N 021 131 1	Lock nut		2	
4	803 199 347	Spring washer 13 X 31		1	
4	803 199 34H	Washer 13 X 31		1	
4A	999 025 119 02	Washer		2	
5	477 199 311 A	Plate		2	
6	N 022 149 2	Lock nut		4	
7	477 199 305 C	Bracket	/L	1	924
8	477 199 308 C	Bracket	/R	1	924
9	N 012 231 1	Spring washer		3	
10	900 027 016 02	Lock ring		3	
10	900 027 016 03	Lock ring		3	
11	N 010 445 3	Hexagon-head bolt M 10 X 45		1	
12	N 014 721 2	Pan-head screw M 10 X 25		3	
13	N 010 460 2	Hexagon-head bolt M 10 X 60		2	
14	477 199 501	Vibration damper		1	924
15	928 375 166 01	Rubber buffer		4	924
16	928 375 167 01	Washer		4	924
17	900 076 010 02	Nut		2	924
17	900 076 010 0B	Nut		2	924
18	477 199 505	Support		1	924
19	900 027 015 02	Lock ring		2	924
19	900 027 015 03	Lock ring		2	924
20	900 075 078 02	Hexagon-head bolt M 8 X 15		2	924
20	900 075 078 03	Hexagon-head bolt M 8 X 15		2	924
21	900 910 010 09	Lock nut		1	924

Model: 924 76

Model life 1976>>1979



Model: 924 76

Model life 1976>>1979

Pos	Part Number	Description	Remark	Qty	Model
>>	060 198 011	Maintenance set Gasket set Repair kit Gasket set for Cylinder block Comprising:		1	
-	059 103 051 D	Sealing ring		1	
-	048 115 147	Sealing ring Gasket Gasket		1	
-	PCG 115 147	Sealing ring Gasket Gasket Gasket		1	
-	046 115 189 A	Gasket		1	
-	048 115 257	Gasket O-ring		1	
-	046 121 041 A	Gasket		1	
-	038 121 119 B	Sealing ring		1	
-	N 043 854 1	Sealing ring		1	
>>	047 198 012 A	Gasket set for cylinder head Comprising:		1	924
-	068 103 085 A	Shaft sealing ring		1	
-	026 103 085 F	Shaft sealing ring		1	
-	068 103 085 E	Shaft sealing ring		1	
-	048 103 095	Gasket		1	
-	931 104 337 06	Cylinder head gasket		1	
-	060 198 025 A	Gasket set		1	
-	046 109 675 A	Valve stem seal with Assembly sleeve		8	
-	048 121 127 A	Gasket		2	
-	028 127 311 A	Gasket		1	
-	048 129 589 A	Gasket		4	
-	477 133 227	Gasket		1	
-	048 905 341 B	Gasket		1	
-	056 905 261	Sealing ring		1	
>>	060 198 041 A	Gasket set for oil sump Comprising:		1	
		Gasket		1	
		Gasket		1	
		Gasket		1	
		Gasket		2	
-	N 043 854 1	Sealing ring		1	
>>	060 198 025 A	Gasket set for Cylinder head cover Comprising:		1	
		Sealing strip		2	
		Gasket		2	
>>	060 198 151	Set of piston rings 86,50 MM Comprising:		X	924
		Piston ring Groove 1		1	
		Piston ring Groove 2			
		Oil scraper ring		1	
>>	060 198 153	Set of piston rings		X	924



Model: 924 76

Model life 1976>>1979

Pos	Part Number	Description	Remark	Qty	Model
>>	060 198 155	86,75 MM Comprising: Piston ring Groove 1 Piston ring Groove 2 Oil scraper ring Set of piston rings		1 1 1 X	924
>>	046 198 401	87,00 MM Comprising: Piston ring Groove 1 Piston ring Groove 2 Oil scraper ring Connecting rod 1 set		1 1 1 1	
-	059 105 425 A	Connecting rod		4	
-	059 105 425 B	Connecting rod bolt		8	
-	059 105 427 A	Connecting rod bolt		8	
-	059 105 431	Hexagon nut		8	
-	059 105 431	Connecting rod bush		4	
>>	046 105 701	Connecting-rod bearing 1 set		1	
-	046 198 503 A	Comprising: Connecting-rod bearing		8	
>>	046 198 503 A	Connecting-rod bearing 1 set		1	
-	046 105 707	Undersize 0.25 mm Comprising: Connecting-rod bearing		8	
>>	046 198 505 A	Connecting-rod bearing 1 set		1	
-	046 105 713	Undersize 0.50 mm Connecting-rod bearing		8	
>>	046 105 719	Connecting-rod bearing 1 set		1	
-	059 198 451	Undersize 0,75 mm Comprising: Connecting-rod bearing		8	
>>	059 198 451	Crankshaft bearing 1 set		1	924
-	059 105 501	60 MM \$ M >> XH 00 0022 M >> XF 00 0011 Comprising: Crankshaft bearing		1	
-	059 105 531	Thrust bearing Upper Crankshaft bearing		1	
-	059 105 561	Thrust bearing Lower Crankshaft bearing		4	
-	059 105 591	Numbers 1,2,4,5 Upper Crankshaft bearing		4	
>>	059 198 453	Numbers 1,2,4,5 Lower Crankshaft bearing 1 set		1	924
		Undersize 0.25 mm M >> XH 00 0022			

Model: 924 76 Model life 1976>>1979

Pos	Part Number	Description	Remark	Qty	Model
-	059 105 507	M >> XF 00 0011 Comprising: Crankshaft bearing Thrust bearing Upper		1	
-	059 105 537	Crankshaft bearing Thrust bearing Lower		1	
-	059 105 567	Crankshaft bearing Numbers 1,2,4,5 Upper		4	
-	059 105 597	Crankshaft bearing Numbers 1,2,4,5 Lower		4	
>>	059 198 455	Crankshaft bearing 1 set Undersize 0.50 mm M >> XH 00 0022 M >> XF 00 0011		1	924
-	059 105 513	Comprising: Crankshaft bearing Thrust bearing Upper		1	
-	059 105 543	Crankshaft bearing Thrust bearing Lower		1	
-	059 105 573	Crankshaft bearing Numbers 1,2,4,5 Upper		4	
-	059 105 603	Crankshaft bearing Numbers 1,2,4,5 Lower		4	
>>	059 198 457	Bearing set Crankshaft bearing Undersize 0,75 mm M >> XH 00 0022 M >> XF 00 0011		1	924
-	059 105 519	Comprising: Crankshaft bearing Thrust bearing Upper		1	
-	059 105 549	Crankshaft bearing Thrust bearing Lower		1	
-	059 105 579	Crankshaft bearing Numbers 1,2,4,5 Upper		4	
-	059 105 609	Crankshaft bearing Numbers 1,2,4,5 Lower		4	
>>	046 198 451	Crankshaft bearing 1 set 64 MM \$		1	
-	046 105 501	Comprising: Crankshaft bearing Thrust bearing		2	
-	046 105 561	Crankshaft bearing Numbers 1,2,4,5 Upper		4	
-	046 105 591	Crankshaft bearing Numbers 1,2,4,5 Lower		4	
>>	046 198 453	Crankshaft bearing		1	

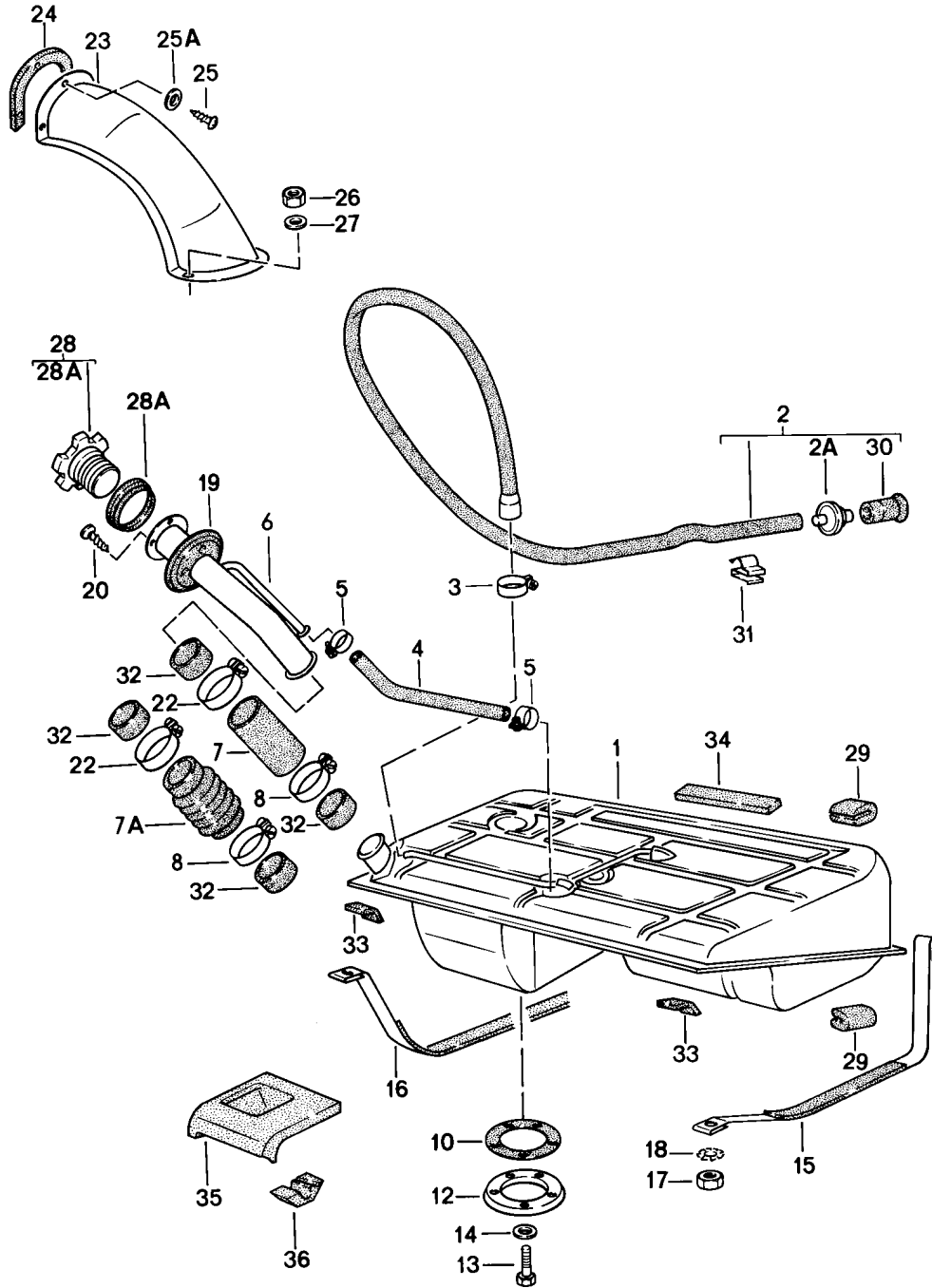
Model: 924 76

Model life 1976>>1979

Pos	Part Number	Description	Remark	Qty	Model
		1 set Undersize 0.25 mm Comprising:			
-	046 105 507	Crankshaft bearing		2	
		Thrust bearing			
-	046 105 567	Crankshaft bearing		4	
		Numbers 1,2,4,5			
		Upper			
-	046 105 597	Crankshaft bearing		4	
		Numbers 1,2,4,5			
		Lower			
>>	046 198 455	Crankshaft bearing		1	
		1 set Undersize 0.50 mm Comprising:			
-	046 105 513	Crankshaft bearing		2	
		Thrust bearing			
-	046 105 573	Crankshaft bearing		4	
		Numbers 1,2,4,5			
		Upper			
-	046 105 603	Crankshaft bearing		4	
		Numbers 1,2,4,5			
		Lower			
>>	046 198 457	Crankshaft bearing		1	
		1 set Undersize 0,75 mm Comprising:			
-	046 105 519	Crankshaft bearing		2	
		Thrust bearing			
-	046 105 579	Crankshaft bearing		4	
		Numbers 1,2,4,5			
		Upper			
-	046 105 609	Crankshaft bearing		4	
		Numbers 1,2,4,5			
		Lower			
>>	047 198 951	Maintenance set	-79	1	924
		for Periodic maintenance Comprising:			
-	060 198 025 A	Gasket set		1	
-	N 043 854 1	Sealing ring		1	
-	021 129 620	Air cleaner cartridge		1	
-	931 107 701 00	Oil filter		1	
-	930 110 076 00	Fuel filter		1	
-	930 110 076 02	Fuel filter		1	
-	616 602 226 02	Contact breaker point		1	
-	999 170 165 90	Spark plug		4	

Model: 924 76

Model life 1976>>1979



Model: 924 76 Model life 1976>>1979

Pos	Part Number	Description	Remark	Qty	Model
1	477 201 021 F	Fuel tank Fuel tank F >>92492 03645 F >>92493 30200 Use also: 928.201.081.04 944.356.557.00 477.201.159.C Together with 477919051B		1	924
-	928 201 081 04	Fuel filter		1	
-	944 356 557 00	Fuel hose		1	
-	477 201 159 C	Breather hose		1	
(1)	477 201 021 F	Fuel tank F 92492 03646>> F 92493 30201>> Use also: 477.201.159.C Together with 477919051B		1	924/TURBO
2	477 201 115	Breather hose		1	
2A	810 201 186 A	Bleeder valve		1	
3	311 133 343 A	Hose clamp		1	
4	N 020 363 1	Hose		1	
		Running meter			
5	999 512 346 00	Hose clamp LC 16-25		2	
6	477 201 129 B	Filler neck	77	1	
6	477 201 129 C	Filler neck See technical information NR.2/11A	78-	1	
7A	477 201 357	Bellows		1	
8	999 512 348 02	Hose clamp LA 40-60		1	
10	477 201 229	Gasket		1	924
12	477 201 247	Lid F >>92492 03645 F >>92493 30200		1	924
13	N 010 205 6	Hexagon-head bolt M 5 X 10		5	924
13	900 075 105 02	Screw M 5 X 10		5	924
14	803 919 131	Sealing washer		5	924
15	477 201 311 B	Restraining strap Lower	/L	1	
(15)	477 201 395	Restraining strap Upper	/L	1	
16	477 201 302	Restraining strap	/R	1	
17	311 101 463	Hexagon nut M 8		2	
18	N 012 108 2	Serrated lock washer		2	
19	477 201 317	Gasket		1	
20	N 014 086 4	Rais. counters. h. tap. s. B 3,5 X 13		4	
22	111 501 159 B	Hose clamp 44 - 64		1	
23	477 201 347 C	Cover		1	
24	477 201 351	Gasket		1	
25	N 013 959 3	Oval-head sheetmetal screw B 3,5 X 16		3	
25	900 143 016 02	Oval-head sheetmetal screw B 3,5 X 16		3	
25A	900 151 028 02	Washer		3	

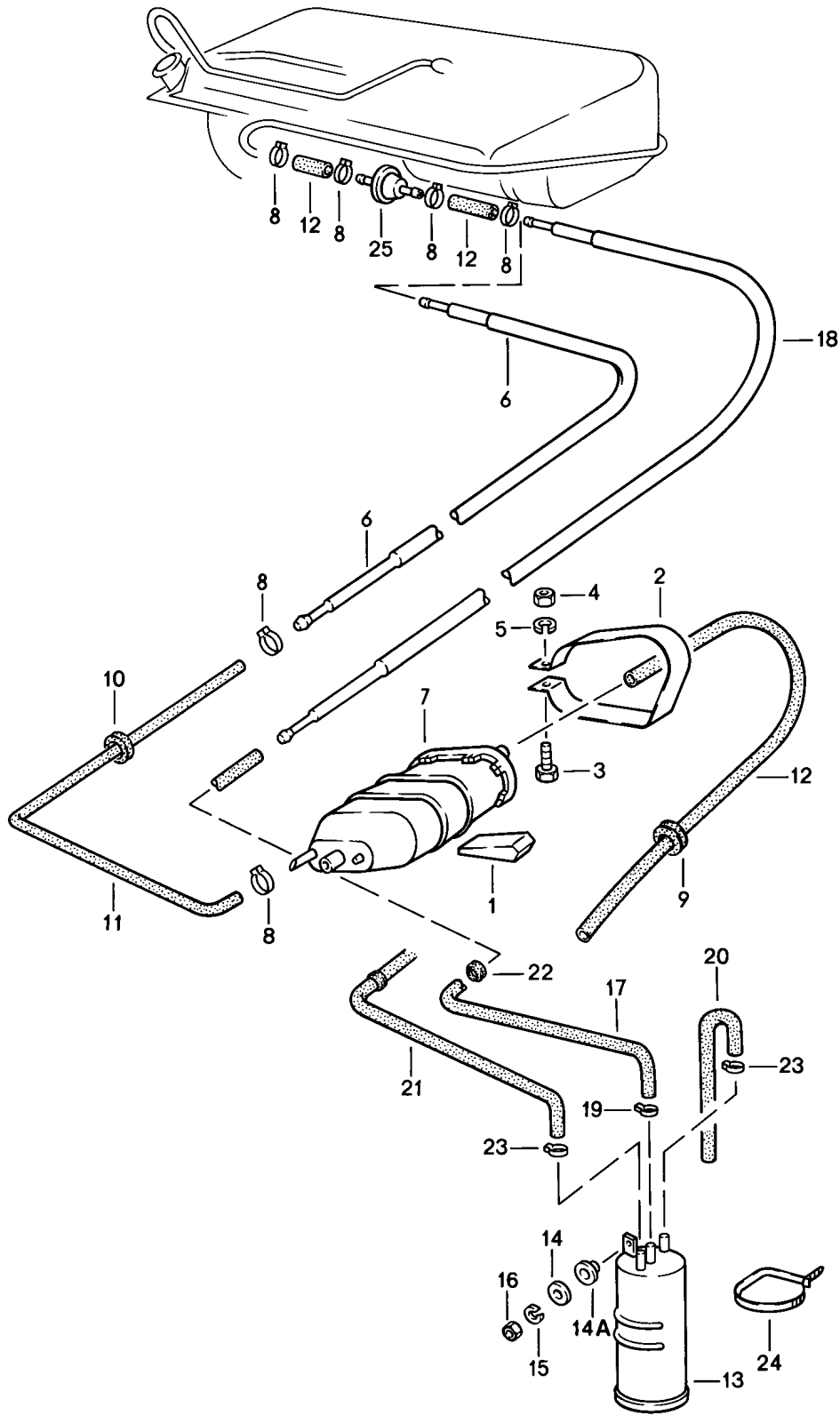
Model: 924 76

Model life 1976&gt;&gt;1979

Pos	Part Number	Description	Remark	Qty	Model
25A	900 151 028 01	Washer		3	
26	N 011 005 14	Hexagon nut		2	
26	900 076 091 01	Hexagon nut		2	
27	900 025 003 02	Washer		2	
-	N 020 902 1	Tie-wrap 6,5 X 210		1	
-	N 020 902 A	Tie-wrap 6,5 X 210		1	
28	477 201 551	Lid		1	
28A	477 201 557	Gasket		1	
28A	944 201 553 00	Gasket		1	
29	481 201 647	Desk pad		4	
30	321 201 890 A	End piece		1	
31	477 971 939	Cable terminal		12	
31	PCG 971 939	Cable terminal		12	
32	944 201 217 00	Hose		2	
32	944 201 217 01	Hose		2	
33	477 201 295 B	Intermediate layer		1	
34		Intermediate layer		4	
35	477 863 160	Gasket		1	
36	477 863 162 A	Sound absorber		2	

Model: 924 76

Model life 1976>>1979



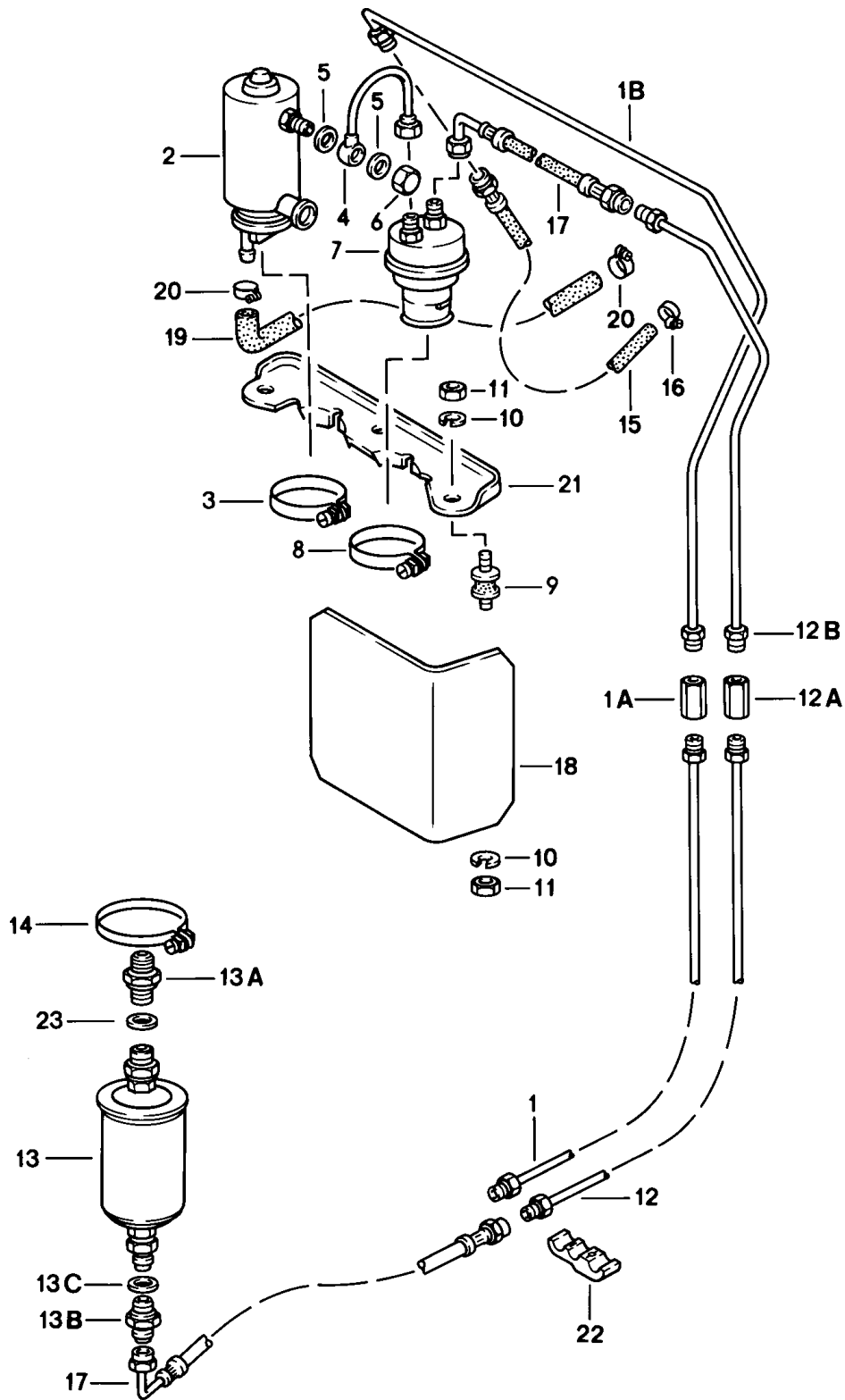
Model: 924 76 Model life 1976>>1979

Pos	Part Number	Description	Remark	Qty	Model
		Carbon canister Only together with Engine 74 KW (100 DIN-PS)			924
1	477 201 299	Desk pad		1	
2	477 201 385	Support		1	
3	N 010 217 4	Hexagon-head bolt M 6 X 20		1	
4	900 076 010 02	Nut		1	
4	900 076 010 0B	Nut		1	
5	N 012 006 4	Lock ring		1	
6	477 201 743	Pipe		1	
7	171 201 801	Carbon canister		1	
7	171 201 801 C	Carbon canister		1	
7	1H0 201 801 C	Carbon canister		1	
8	311 133 343 A	Hose clamp		2	
9	477 805 123	Grommet		2	
10	111 971 911 A	Grommet		1	
11	N 020 355 1	Fuel hose 5 X 2,5		1	
12	N 020 374 1	Running meter Hose		1	
25	810 201 186 A	Running meter Bleeder valve Only together with Engine 85 KW (115 DIN-PS)		1	
8	311 133 343 A	Hose clamp		2	
12	N 020 374 1	Hose Running meter		1	
13	993 201 221 01	Carbon canister		1	
13	993 201 221 03	Carbon canister		1	
14	900 151 029 02	Washer		2	
14A	477 201 279	Sleeve		2	
15	N 012 006 4	Lock ring		2	
16	900 076 010 02	Nut		2	
16	900 076 010 0B	Nut		2	
-	999 181 716 50	Hose 9,5 X 15,5 630 MM		*	
17		Pipeline		1	
18	477 201 743 A	Pipeline		1	
19	N 023 577 2	Hose clamp A 9 X 14		1	
19	PCG 023 577 2	Hose clamp A 9 X 14		1	
-	N 020 374 1	Hose 600 MM 1115 MM		*	
20				1	
21				1	
22	021 119 569 A	Rubber sleeve		2	
23	999 512 265 02	Hose clamp		2	
24	N 020 906 3	Tie-wrap 6,5 X 390		1	
25	810 201 186 A	Bleeder valve		1	



Model: 924 76

Model life 1976>>1979

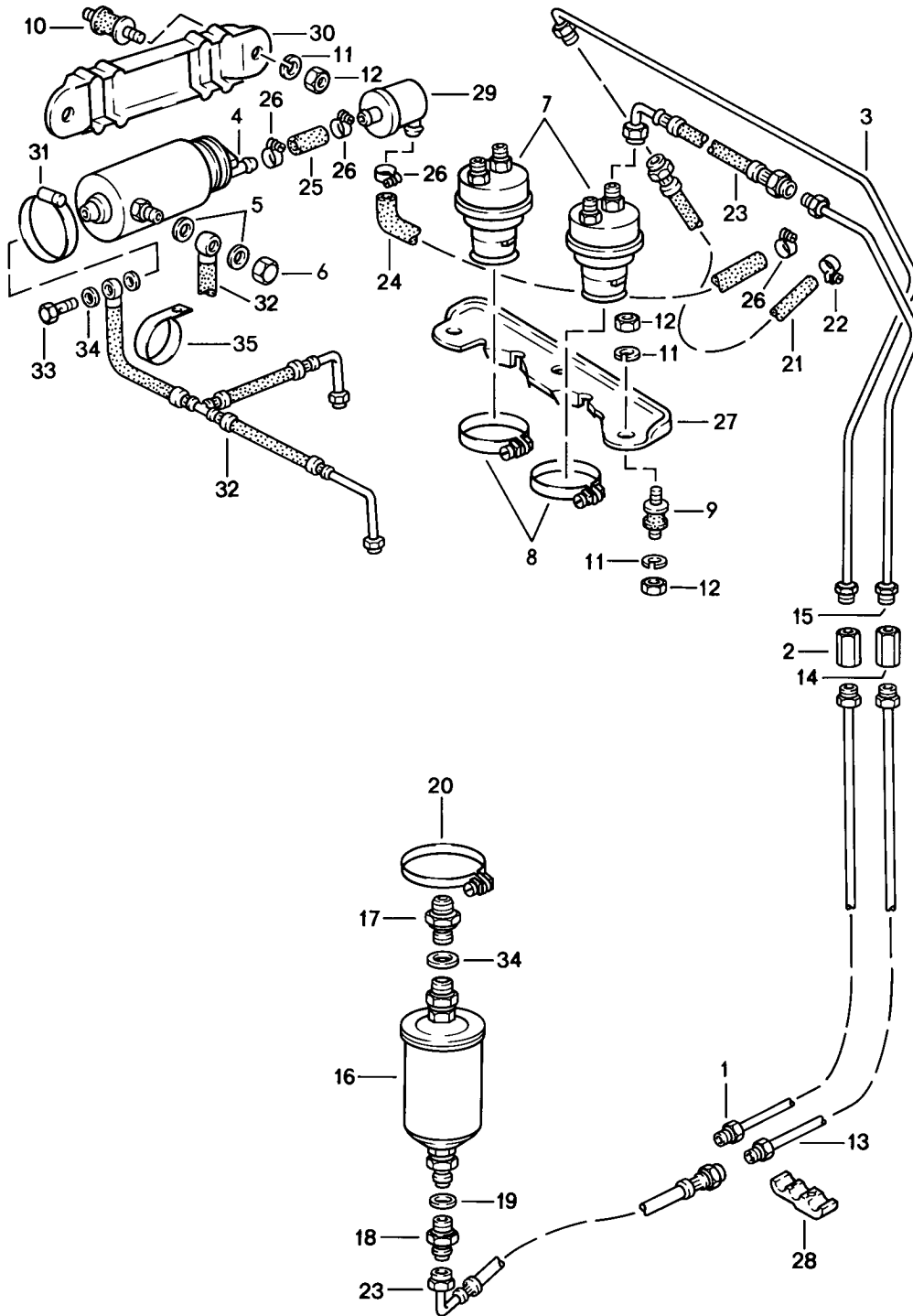


Model: 924 76 Model life 1976>>1979

Pos	Part Number	Description	Remark	Qty	Model
		Fuel system F >>92472 02047			924
1	477 209 175	Fuel line		1	
		Return line			
1	477 209 175 01	Fuel line		1	
		Return line			
1A	477 209 161	Connecting piece		1	
1B	477 209 176	Fuel line		1	
		Return line			
		Use also: 477.209.071 A			
2	810 906 091 B	Fuel pump		1	
3	999 512 349 02	Hose clamp		1	
3	999 512 349 01	Hose clamp		1	
3	999 512 349 0B	Hose clamp		1	
4	477 209 067 A	Fuel line		1	
5	900 123 033 20	Sealing ring A 10 X 13,5		2	
6	N 011 065 1	Cap nut M 10 X 1		1	
7	477 209 083	Pressure accumulator 20 CCM		2	
8	111 501 159 B	Hose clamp 44-64 MM		1	
9	810 906 219 A	Bonded rubber mounting		3	
10	N 012 006 4	Lock ring		6	
11	900 076 010 02	Nut		6	
11	900 076 010 0B	Nut		6	
12	477 209 177	Fuel line		1	
		Use also: 477.209.075.A			
12A	477 209 169	Connecting piece		1	
12B	477 209 178	Fuel line		1	
		Use also: 477.209.075.A			
13	930 110 076 00	Fuel filter		1	
13	930 110 076 02	Fuel filter		1	
13A	930 110 199 00	Screw socket		1	
13B	930 110 198 00	Screw socket		1	
13C	900 123 007 30	Sealing ring A 14 X 18		1	
14	111 501 159 B	Hose clamp A 12 X 63		1	
15	477 209 071	Fuel line		1	
		Return line			
16	999 512 554 00	Hose clamp LB 12 - 20		1	
17	477 209 075	Fuel hose		2	
18	477 209 077	Heat protection plate		1	
19	477 209 199 A	Fuel hose		1	
20	N 023 526 2	Hose clamp A 9 X 18		4	
21	477 209 373	Support		1	
22	911 356 543 01	Support		15	
23	N 013 812 3	Sealing ring A 12 X 15,5		1	

Model: 924 76

Model life 1976>>1979



Model: 924 76 Model life 1976>>1979

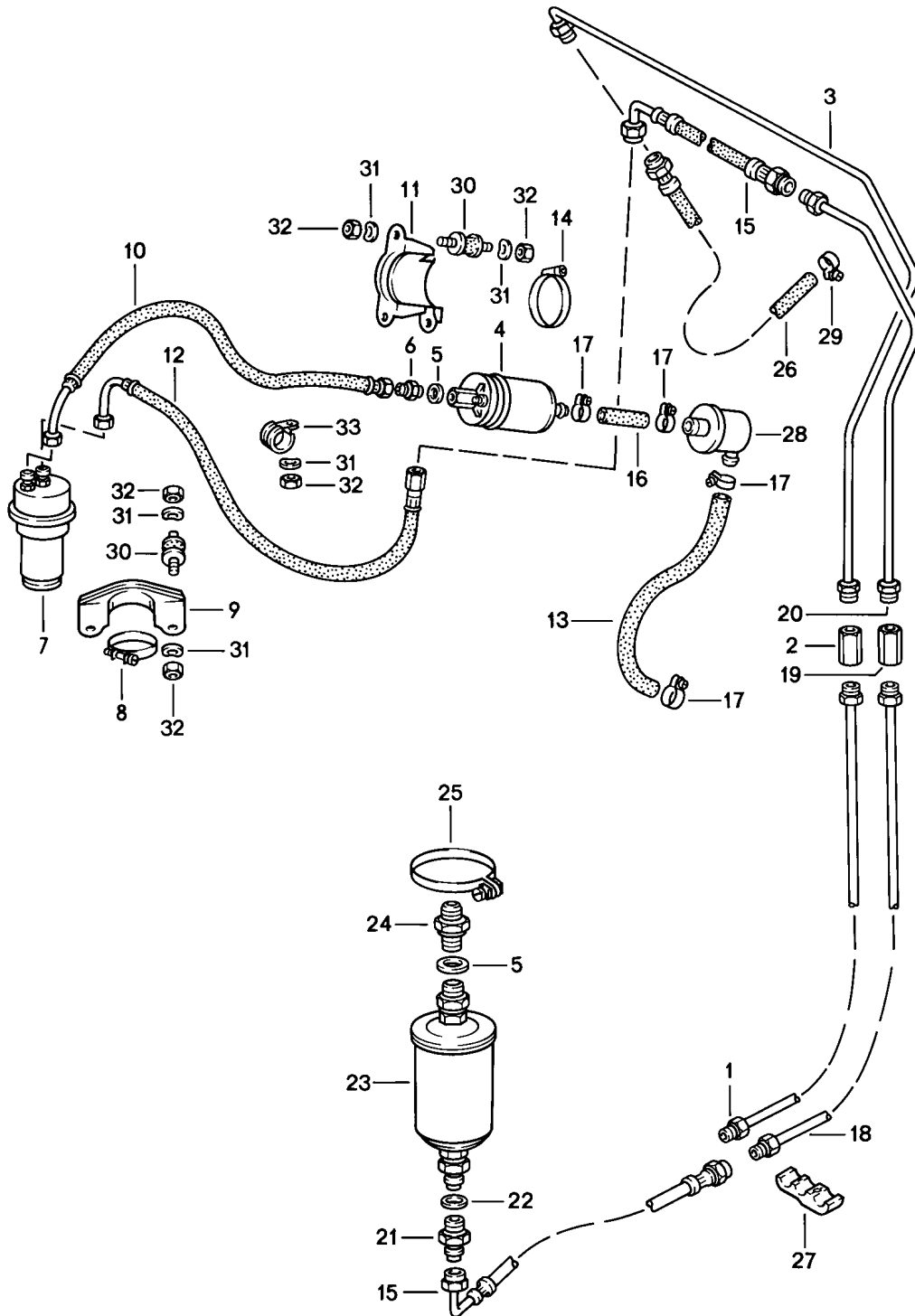
Pos	Part Number	Description	Remark	Qty	Model
		Fuel system F 92472 02047>> F >>92482 99999 F 92473 00001>> F >>92483 99999			924
1	477 209 175	Fuel line		1	
		Return line			
1	477 209 175 01	Fuel line		1	
		Return line			
2	477 209 161	Connecting piece		1	
3	477 209 176	Fuel line		1	
		Return line F >>92482 01225 F >>92483 30098 Use also: 477.209.071.A			
(3)	477 209 176 A	Fuel line		1	
		Return line F 92482 01226>> F 92483 30098>>			
4	810 906 091 B	Fuel pump F >>92472 04806 F >>92473 00187		1	
(4)	911 608 102 00	Fuel pump F 92472 04806>> F 92473 00188>>		1	
5	900 123 033 20	Sealing ring A 10 X 13,5		2	
6	N 011 065 1	Cap nut M 10 X 1		1	
7	477 209 083	Pressure accumulator		2	
8	111 501 159 B	Hose clamp 44 - 64 MM		2	
9	810 906 219 A	Bonded rubber mounting		3	
10	944 610 115 00	Bonded rubber mounting		X	
11	N 012 006 4	Lock ring B 6		X	
12	900 076 010 02	Nut M 6		X	
12	900 076 010 0B	Nut M 6		X	
13	477 209 177	Fuel line F >>92482 01225 F >>92483 30098 Use also: 477.209.075.A		1	
(13)	477 209 177 A	Fuel line F 92482 01226>> F 92483 30099>>		1	
14	477 209 169	Connecting piece		1	
15	477 209 178	Fuel line F >>92482 01225 F >>92483 30098 Use also: 477.209.075.A		1	
(15)	477 209 178 A	Fuel line F 92482 01226>> F 92483 30099>>		1	
(15)	477 209 178 B	Fuel line F 92482 01226>> F 92483 30099>>		1	
16	930 110 076 00	Fuel filter		1	
16	930 110 076 02	Fuel filter		1	

Model: 924 76 Model life 1976>>1979

Pos	Part Number	Description	Remark	Qty	Model
17	930 110 199 00	Screw socket		1	
18	930 110 198 00	Screw socket		1	
19	900 123 007 30	Sealing ring		1	
20	111 501 159 B	A 14 X 18 Hose clamp		1	
21	477 209 071	A 12 X 63 Fuel line		1	
(21)	477 209 071 C	Return line F >>92472 04133 F >>92473 00149 Fuel hose		1	
22	999 512 554 00	Return line F 92472 04134>> F 92473 00150>> Hose clamp		1	
23	477 209 075	LB 12 - 20 Fuel hose		2	
(23)	477 209 075 A	F >>92472 04133 F >>92473 00149 Fuel hose		2	
24	477 209 199 A	F 92472 04134>> F 92473 00150>> Fuel hose		1	
-	999 181 168 50	Hose		*	
25		12 X 18,5 50 MM		1	
26	999 512 554 00	Hose clamp		4	
27	477 209 373	A 9 X 18 Support		1	
28	911 356 543 01	Support		15	
29	477 209 233	Fuel filter		1	
30	911 608 105 00	Support		1	
31	999 512 394 00	Hose clamp		1	
32	477 209 241	Fuel hose		1	
(32)	477 209 241 A	F >>92472 04133 F >>92473 00149 Fuel hose		1	
33	N 021 071 2	F 92472 04134>> F 92473 00150>> Banjo bolt		1	
34	N 013 812 3	F 92472 04807>> F 92473 00187>> Sealing ring		2	
35	N 020 690 1	Clip		1	

Model: 924 76

Model life 1976>>1979

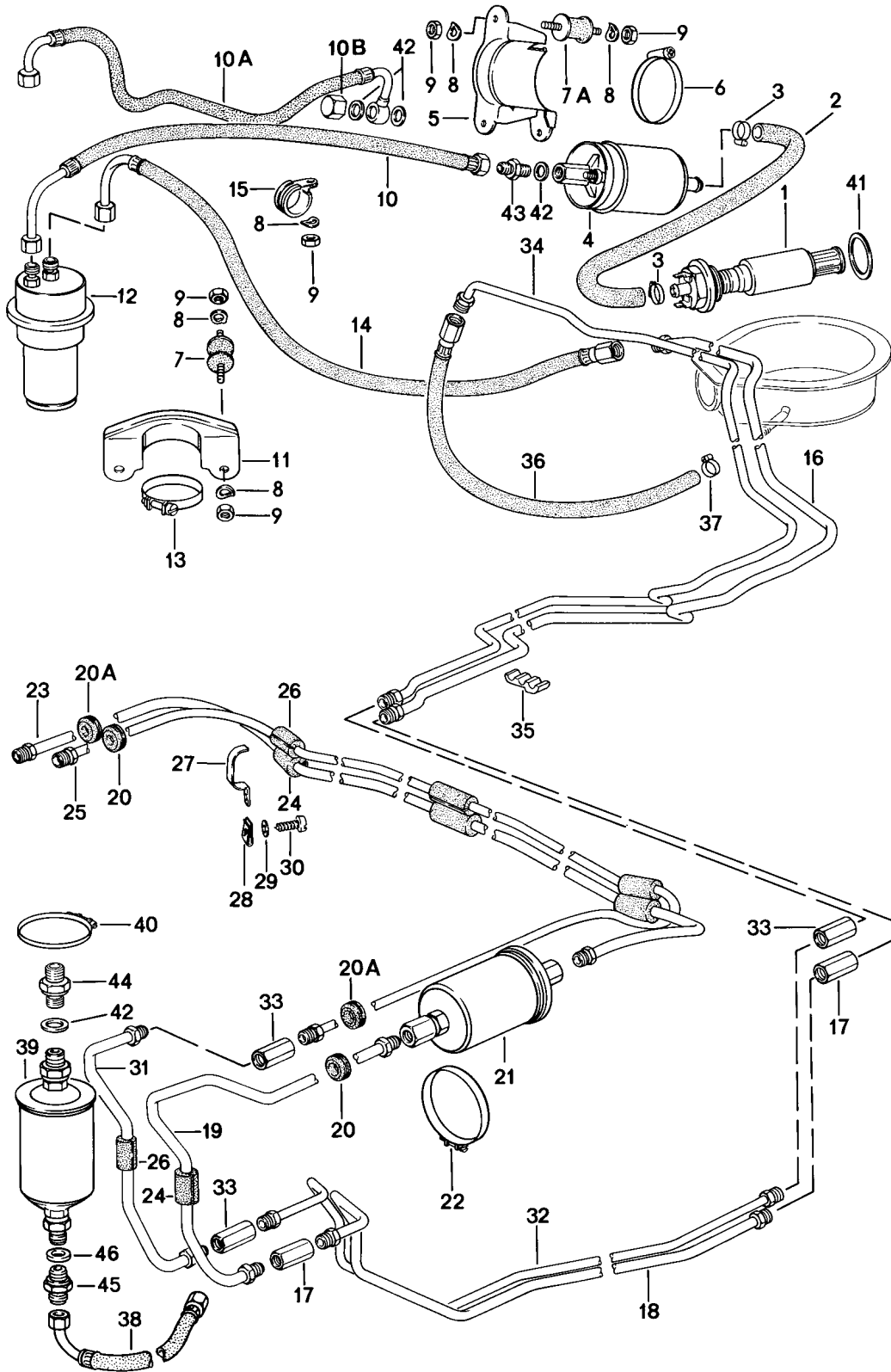


Model: 924 76 Model life 1976>>1979

Pos	Part Number	Description	Remark	Qty	Model
		Fuel system F 92492 00001>> F >>92492 03645 F 92493 00001>> F >>92493 30200			924
1	477 209 175	Fuel line		1	
		Return line			
1	477 209 175 01	Fuel line		1	
		Return line			
2	477 209 161	Connecting piece		1	
3	477 209 176 A	Fuel line		1	
		Return line			
4	911 608 102 00	Fuel pump		1	
5	N 013 812 3	Sealing ring A 12 X 15,5		2	
6	911 608 951 00	Check valve		1	
7	931 110 140 00	Pressure accumulator		1	
8	999 512 199 02	Clamp		1	
9	477 209 291	Support		1	
10	477 209 093 A	Fuel hose		1	
11	477 209 295 A	Support		1	
12	477 209 047 A	Fuel hose		1	
13	477 209 199 C	Fuel hose		1	
14	999 512 394 00	Hose clamp		1	
15	477 209 075 A	Fuel hose		2	
-	999 181 168 50	Hose 12 X 18,5		*	
16		50 MM		1	
17	N 023 526 2	Hose clamp A 9 X 18		4	
18	477 209 177 A	Fuel line		1	
19	477 209 169	Connecting piece		1	
20	477 209 178 A	Fuel line		1	
20	477 209 178 B	Fuel line		1	
21	930 110 198 00	Screw socket		1	
22	900 123 007 30	Sealing ring A 14 X 18		1	
23	930 110 076 00	Fuel filter		1	
23	930 110 076 02	Fuel filter		1	
24	930 110 199 00	Screw socket		1	
25	111 501 159 B	Hose clamp A 12 X 63		1	
26	477 209 071	Fuel line		1	
27	911 356 543 01	Support		15	
28	477 209 233	Fuel filter		1	
29	999 512 554 00	Hose clamp LB 12 - 20		1	
30	944 610 115 00	Bonded rubber mounting		X	
31	N 012 006 4	Lock ring B 6		X	
32	900 076 010 02	Nut M 6		X	
32	900 076 010 0B	Nut M 6		X	
33	N 020 690 1	Clip		1	

Model: 924 76

Model life 1976>>1979





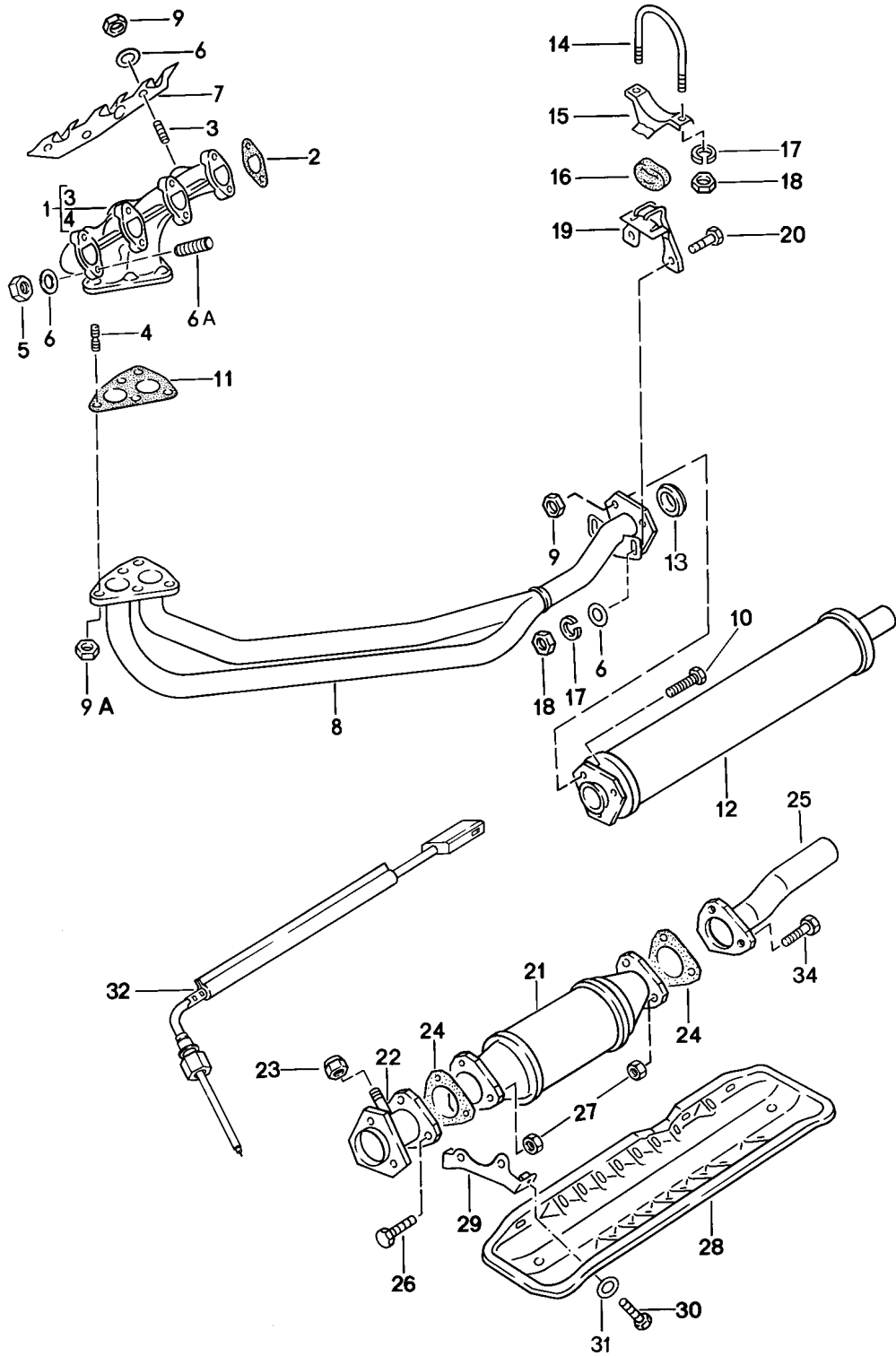
Model: 924 76

Model life 1976>>1979

Pos	Part Number	Description	Remark	Qty	Model
		Fuel system			
		F 92492 03646>>			
		F 92493 30201>>			
1	928 608 013 00	In-tank fuel pump		1	
1	928 608 013 01	In-tank fuel pump		1	
2	477 209 199 D	Fuel hose		1	
3	N 023 526 2	Hose clamp		2	
		A 9 X 18			
4	911 608 102 00	Fuel pump		1	
5	477 209 295 A	Support		1	
6	999 512 394 00	Hose clamp		1	
7	928 610 115 00	Bonded rubber mounting		5	
7	944 610 115 00	Bonded rubber mounting		5	
8	N 012 226 5	Spring washer		10	
9	900 076 010 02	Nut		10	
9	900 076 010 0B	Nut		10	
10	477 209 093 A	Fuel hose		1	
11	477 209 291	Support		1	
12	931 110 140 00	Pressure accumulator		1	
		40 CCM			
13	999 512 199 02	Clamp		1	
14	477 209 047 B	Fuel hose		1	
15	N 020 690 1	Clip		1	
16	477 209 178 A	Fuel line		1	
16	477 209 178 B	Fuel line		1	
17	477 209 169	Connecting piece		2	
18	477 209 177 A	Fuel line		1	
33	477 209 161	Connecting piece		3	
34	477 209 176 A	Fuel line		1	
		Return line			
35	911 356 543 01	Support		13	
36	477 209 071 C	Fuel hose		1	
37	N 023 577 2	Hose clamp		1	
37	PCG 023 577 2	Hose clamp		1	
38	477 209 047 A	Fuel hose		1	924
39	930 110 076 00	Fuel filter		1	924
39	930 110 076 02	Fuel filter		1	924
40	111 501 159 B	Hose clamp		1	924
		9 X 56			
41	928 201 187 02	Sealing ring		1	
42	N 013 812 3	Sealing ring		2	
		A 12 X 15,5			
43	N 020 704 2	Connection piece		1	
(43)	911 608 951 00	Check valve		X	
44	930 110 199 00	Screw socket		1	924
45	930 110 198 00	Screw socket		1	924
46	900 123 007 30	Sealing ring		1	924
		A 14 X 18			

Model: 924 76

Model life 1976>>1979



Model: 924 76 Model life 1976>>1979

Pos	Part Number	Description	Remark	Qty	Model
		Exhaust system			924
		Catalytic converter			
1	048 129 587 D	Exhaust manifold	/LL	1	
2	048 129 589 A	Gasket		4	
3	N 044 511 1	Stud		3	
		M 8 X 18			
4	N 044 514 4	Stud		5	
		M 8 X 25			
5	N 900 850 01	Hexagon nut		8	
		M 8			
6	N 011 525 13	Washer		11	
6A	N 044 411 5	Stud		8	
		M 8 X 30			
7	047 129 595 D	Cover plate	/LL	1	
(8)	477 253 101 H	Exhaust pipe		1	XH
(8)	477 253 101 L	Exhaust pipe		1	XE XG XF
		for			
		XF			
		Use also:			
		047.131.631.G			
		047.131.645			
		047.131.649.G			
		047.131.677			
9	803 253 111	Lock nut		6	
9A	311 101 463	Hexagon nut		5	
		M 8			
10	N 010 353 3	Hexagon-head bolt		3	
		M 8 X 42			
11	477 253 115 E	Gasket	/LL	1	
13	477 253 137	Sealing ring		1	
14	477 253 139	Clip		1	
14	477 253 139 00	Clip		1	
15	944 111 307 00	Support		1	
16	477 253 140 A	Bearing		1	
17	900 027 015 02	Lock ring		2	
17	900 027 015 03	Lock ring		2	
18	N 011 008 8	Hexagon nut		2	
19	477 253 245	Support		1	
20	N 010 240 16	Hexagon-head bolt		2	
		M 8 X 20			
21	477 131 701	Catalytic converter		1	
(21)	477 131 701 A	Catalytic converter	(J)	1	
22	477 253 159	Connection piece		1	
23	4A0 131 737 A	Cap nut		1	
24	443 253 115 B	Gasket		2	
25	477 253 095	Exhaust pipe		1	
(25)		Exhaust pipe	(J)	1	
26	N 010 233 6	Hexagon-head bolt		6	
		M 8 X 28			
26	900 075 136 03	Hexagon-head bolt		6	
		M 8 X 28			
27	803 253 111	Lock nut		6	
28	810 253 243	Heat shield		1	
29	477 253 453	Support		2	
30	N 010 210 7	Hexagon-head bolt		4	
		M 6 X 10			
31	N 011 524 7	Washer		4	
31	N 011 524 27	Washer		4	
32	477 906 080	Temperature sensor	(J)	1	
34	N 010 233 6	Hexagon-head bolt		3	
		M 8 X 28			
34	900 075 136 03	Hexagon-head bolt		3	
		M 8 X 28			

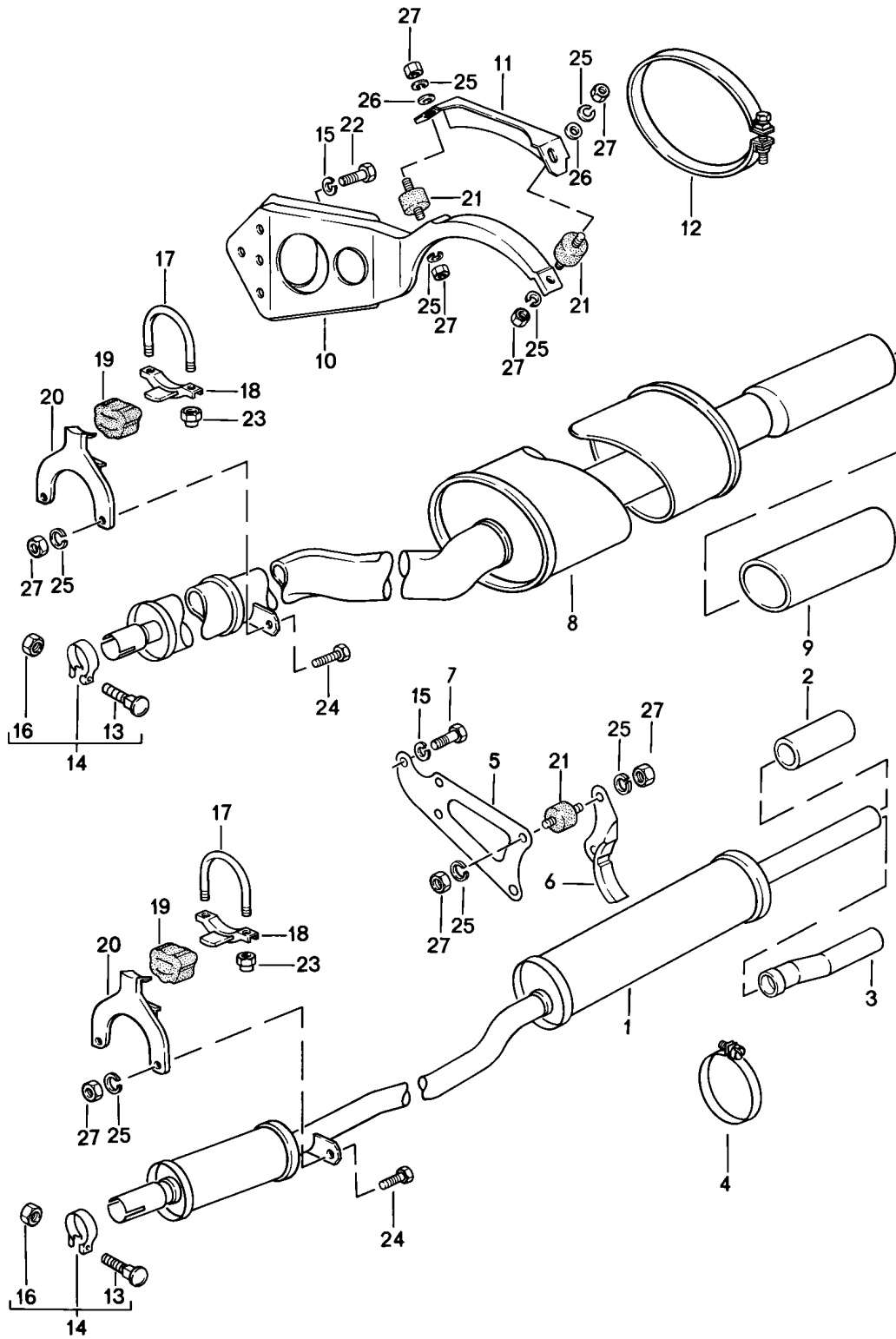
Model: 924 76

Model life 1976&gt;&gt;1979

Pos	Part Number	Description	Remark	Qty	Model
		Heat shield See group 8/01/05			

Model: 924 76

Model life 1976>>1979



Model: 924 76 Model life 1976>>1979

Pos	Part Number	Description	Remark	Qty	Model
		Exhaust system			924
		Rear muffler			
1	477 253 125 C	Rear muffler	-77	1	
		Round			
2	477 253 191 B	Ornamental exhaust pipe	-77	1	
		Black			
3	477 253 131 F	Tail pipe	-77	1	
		with			
		Trailer coupling			
4	N 900 190 01	Clamp	-77	1	
5	477 253 647	Support	-77	1	
(5)	477 253 311 A	Support	AUT. -77	1	
6	477 253 253	Retaining bracket	-77	1	
(6)	477 253 253 A	Retaining bracket	AUT. -77	1	
7	N 010 253 7	Hexagon-head bolt		3	
		M 10 X 22			
8	477 253 125 S	Rear muffler		1	
		Oval			
-	477 253 111 A	Tail pipe	(J)	1	
10	477 253 251	Support		1	
		for			
		5-speed			
		Transmission			
(10)	477 253 255 B	Support		1	
		for			
		4-speed			
		Transmission			
(10)	477 253 255 C	Support		1	
		for			
		Automatic transmission			
11	477 253 253 C	Retaining bracket		1	
		for			
		4-speed			
		And			
		Automatic transmission			
(11)	477 253 253 D	Retaining bracket		1	
		for			
		5-speed			
		Transmission			
12	477 253 325 A	Clamp		1	
13	N 902 064 01	Round head screw		1	
		M 10 X 50			
14	191 253 139 A	Pipe clamp		1	
16	N 011 010 6	Hexagon nut		1	
16	N 101 552 10	Hexagon nut		1	
17	477 253 139	Clip		1	
17	477 253 139 00	Clip		1	
18	944 111 307 00	Support		1	
19	477 253 140 A	Bearing		1	
20	477 253 245	Support		1	
21	477 253 149 C	Bonded rubber buffer		2	
(21)	999 703 317 00	Bonded rubber buffer		2	
		with			
		Trailer coupling			
22	900 074 063 02	Hexagon-head bolt		3	
		M 10 X 55			
22	900 074 380 01	Hexagon-head bolt		3	
		M 10 X 55			
23	900 910 097 02	Lock nut		2	
24	N 010 240 16	Hexagon-head bolt		2	
		M 8 X 20			
25	900 027 015 02	Lock ring		6	
25	900 027 015 03	Lock ring		6	

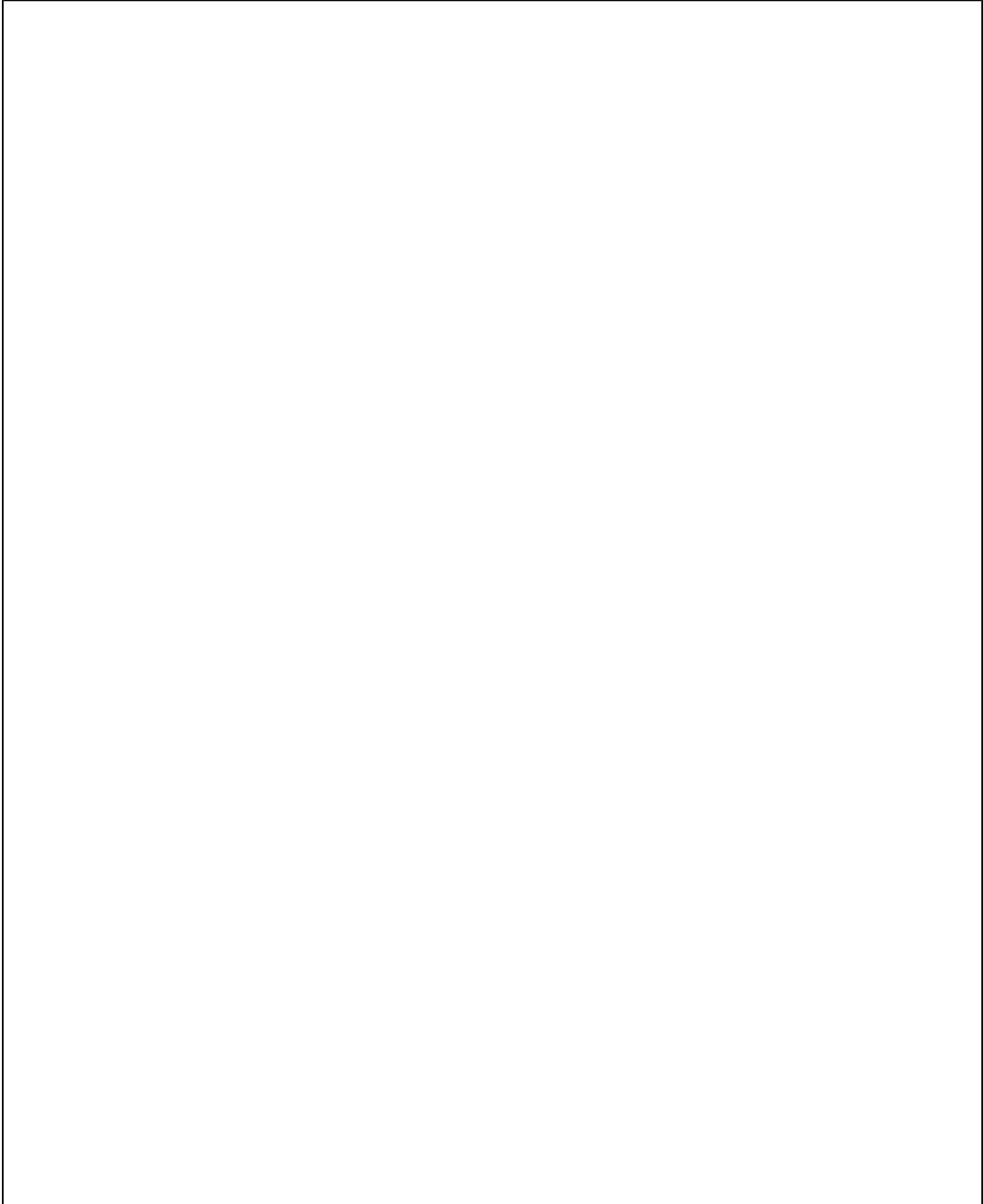
Model: 924 76

Model life 1976&gt;&gt;1979

Pos	Part Number	Description	Remark	Qty	Model
26	N 011 525 13	Washer		2	
27	N 011 008 8	Hexagon nut Heat shield See group 8/01/05		6	

Model: 924 76

Model life 1976>>1979





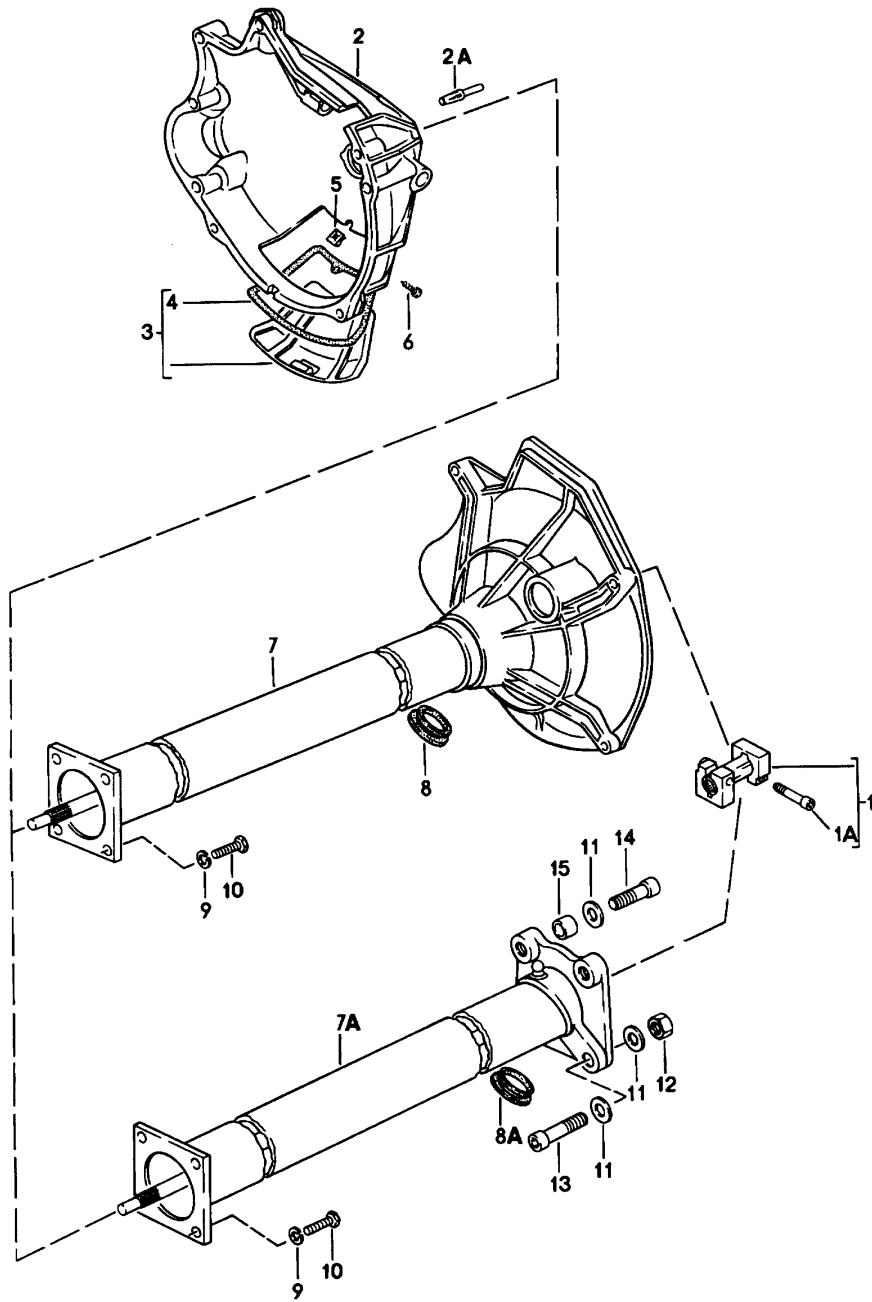
Model: 924 76

Model life 1976>>1979

Pos	Part Number	Description	Remark	Qty	Model
>>	477 298 113	Repair kits Set of fastening parts for Front muffler	76-	1	924
>>	477 298 113 A	Set of fastening parts for Rear muffler Round	-77	1	924
>>	477 298 113 C	Set of fastening parts for Rear muffler Oval	78-	1	924
>>	477 298 113 B	Set of fastening parts for Front muffler And Rear muffler Round	-77	1	924
>>	477 298 113 D	Set of fastening parts for Front muffler And Rear muffler Oval	78-	1	924
>>	477 298 113 E	Set of fastening parts for Front muffler		1	TURBO
>>	477 298 113 F	Set of fastening parts for Rear muffler		1	TURBO
>>	477 298 113 G	Set of fastening parts for Front muffler And Rear muffler		1	TURBO

Model: 924 76

Model life 1976>>1979



Model: 924 76 Model life 1976>>1979

Pos	Part Number	Description	Remark	Qty	Model
1	477 521 145 A	Central tube Clamping sleeve NR. 1 GR.3		1	924
1A	477 521 501 A	Pan-head screw		2	
2	477 521 211 B	Clutch housing		1	
2A	N 012 690 1	Grooved pin 10 X 32		3	
3	477 521 213	Lid		1	
4	477 521 214	Gasket		1	
5	999 591 327 02	Speed nut B 6,3 X 23		1	
5	999 501 327 01	Speed nut B 6,3 X 23		1	
5	999 591 327 01	Speed nut B 6,3 X 23		1	
6	N 013 947 3	Oval-head sheetmetal screw 6,3 X 19		1	
7	477 521 230 B	Central tube Ready for installation for 4-speed Transmission Use also: 477.521.277.C		1	XT YR
7	477 521 230 BX	Central tube Ready for installation for 4-speed Transmission Use also: 477.521.277.C		1	XT YR
7A	477 521 230 A	Central tube Ready for installation for 5-speed Transmission Use also: 477.521.277.C		1	VA VB
7A	477 521 230 AX	Central tube Ready for installation for 5-speed Transmission		1	VA VB
8	477 521 277 A	Cap		1	XT YR
(8)	477 521 277 C	Cap		X	XT YR
8A	477 521 278	Cap		1	VR VB
9	900 027 016 02	Lock ring		4	
9	900 027 016 03	Lock ring		4	
10	N 010 275 4	Hexagon-head bolt M 10 X 35		4	
11	N 011 564 2	Washer		6	
11	N 011 564 4	Washer		6	
12	N 011 020 8	Hexagon nut M 12 X 1,5		2	
12	900 034 036 01	Hexagon nut M 12 X 1,5		2	
13	N 044 757 1	Oval-head screw M 12 X 1,5 X 55		2	
14	N 044 738 1	Pan-head screw M 12 X 1,5 X 40		2	
15	019 301 153	Dowel sleeve Crash protection for Transmission	(CDN) (USA)	2	
-	477 599 131	Bracket		1	XT YR

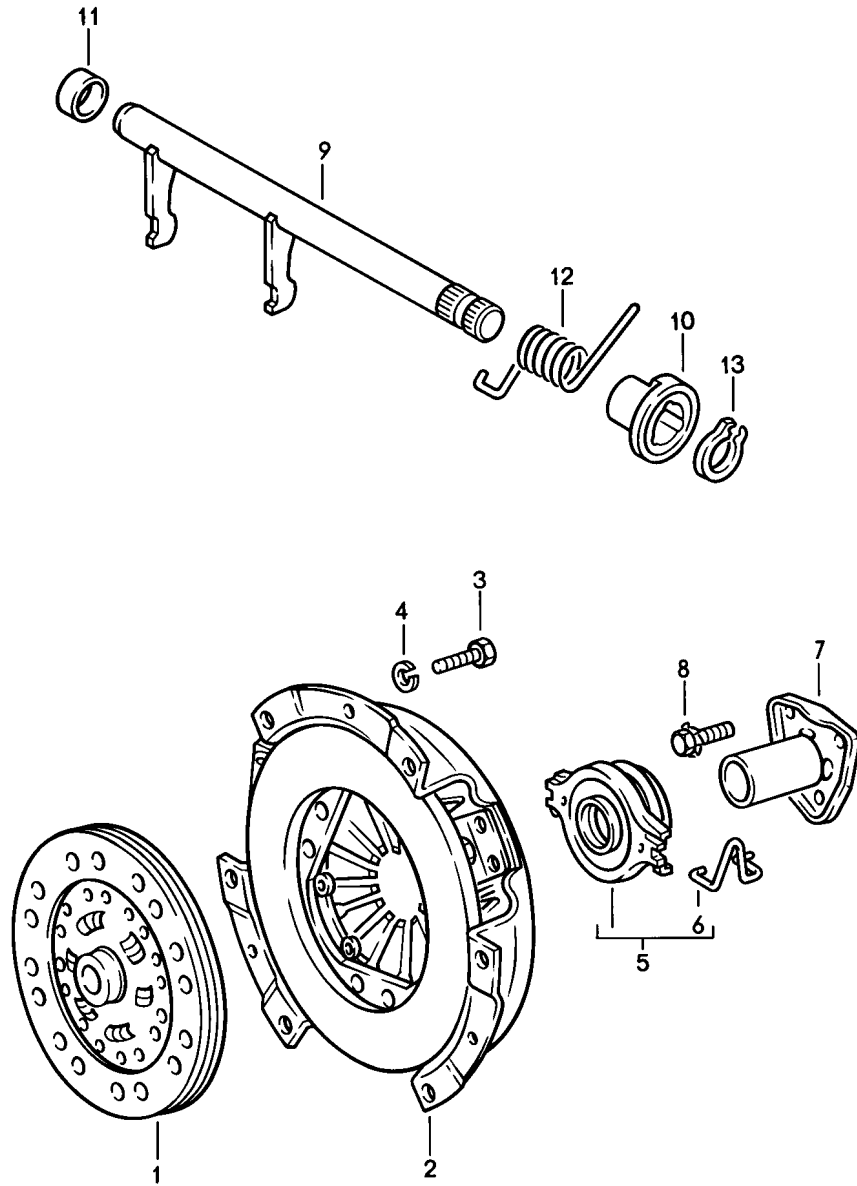
Model: 924 76

Model life 1976&gt;&gt;1979

Pos	Part Number	Description	Remark	Qty	Model
-	477 599 132	Bracket	AUT. -78	1	RL
-	477 599 132 A	Bracket	AUT. 79	1	RL
-	477 599 051	Bracket		1	VB
-	N 012 230 6	Spring washer	AUT.	2	
-	N 044 764 2	Pan-head screw M 10 X 30	AUT.	1	
-	N 014 523 2	Stud AM 10 X 38	AUT.	1	
-	N 011 010 6	Hexagon nut	AUT.	1	
-	N 101 552 10	Hexagon nut	AUT.	1	
-	477 599 141 A	Hook		1	
-	477 253 139	Clip for Hook		2	
-	477 253 139 00	Clip for Hook		2	
-	900 027 015 02	Lock ring		2	
-	900 027 015 03	Lock ring		2	
-	900 076 025 02	Hexagon nut		4	
-	900 076 064 02	Hexagon nut		4	

Model: 924 76

Model life 1976>>1979



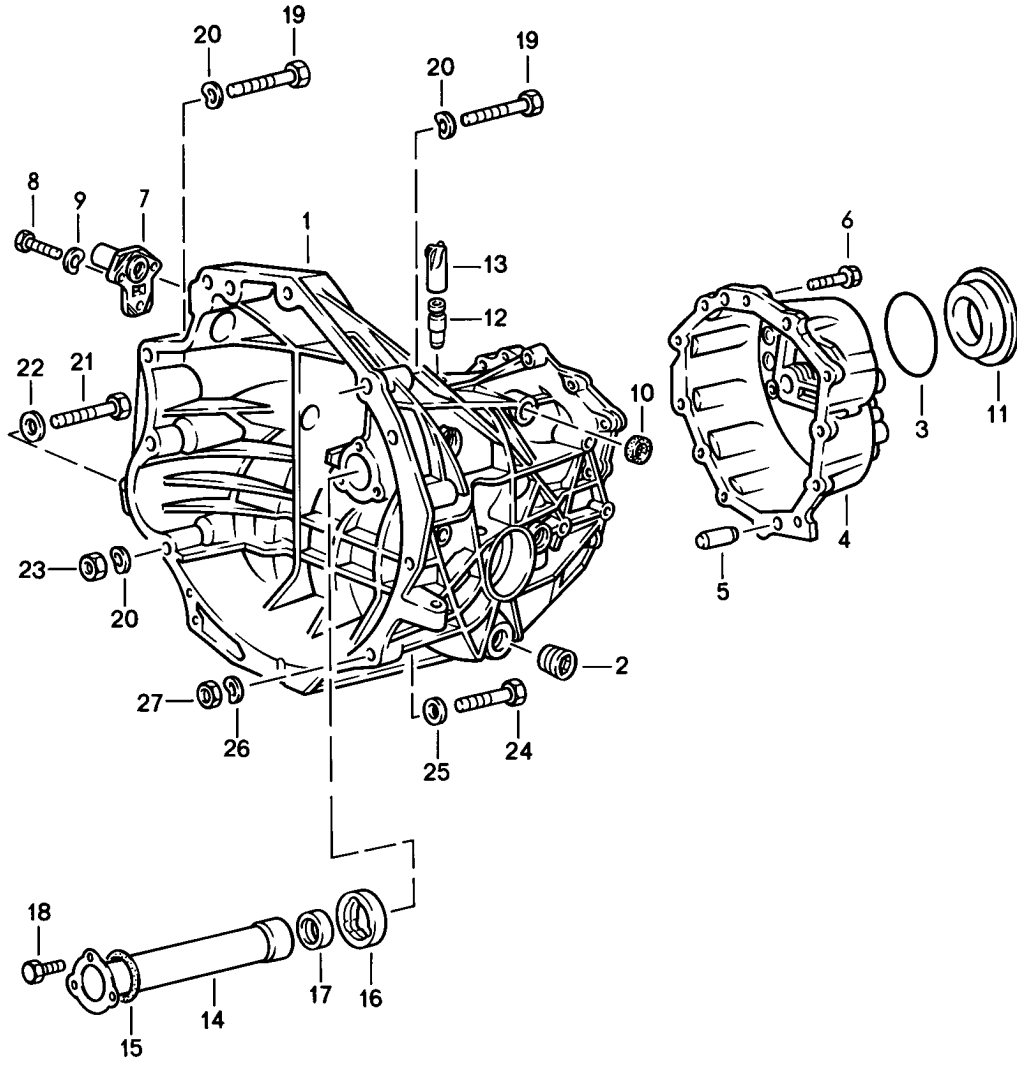
Model: 924 76

Model life 1976&gt;&gt;1979

Pos	Part Number	Description	Remark	Qty	Model
		Clutch			924
1	047 141 031 C	Drive plate		1	
1		Drive plate without asbestos		1	
2	035 141 117 E	Clutch pressure plate		1	
3	N 010 240 7	Hexagon-head bolt M 8 X 20		6	
4	900 027 015 02	Lock ring		6	
4	900 027 015 03	Lock ring		6	
5	113 141 165 B	Clutch release bearing		1	
5	113 141 165 C	Clutch release bearing		1	
6	113 141 177 C	Retainer spring	/L	1	
(6)	113 141 178 C	Retainer spring	/R	1	
7	016 141 181	Guide sleeve		1	
8	N 090 194 2	Hexagon-head bolt M 7 X 16		3	
9	088 141 701	Clutch control shaft		1	
10	092 141 699	Bush		1	
11	088 141 713 B	Bearing sleeve		1	
12	088 141 723	Torsion spring		1	
13	N 012 640 1	Circlip		1	
-	924 116 911 00	Repair kit for Clutch	79	1	

Model: 924 76

Model life 1976>>1979



Model: 924 76

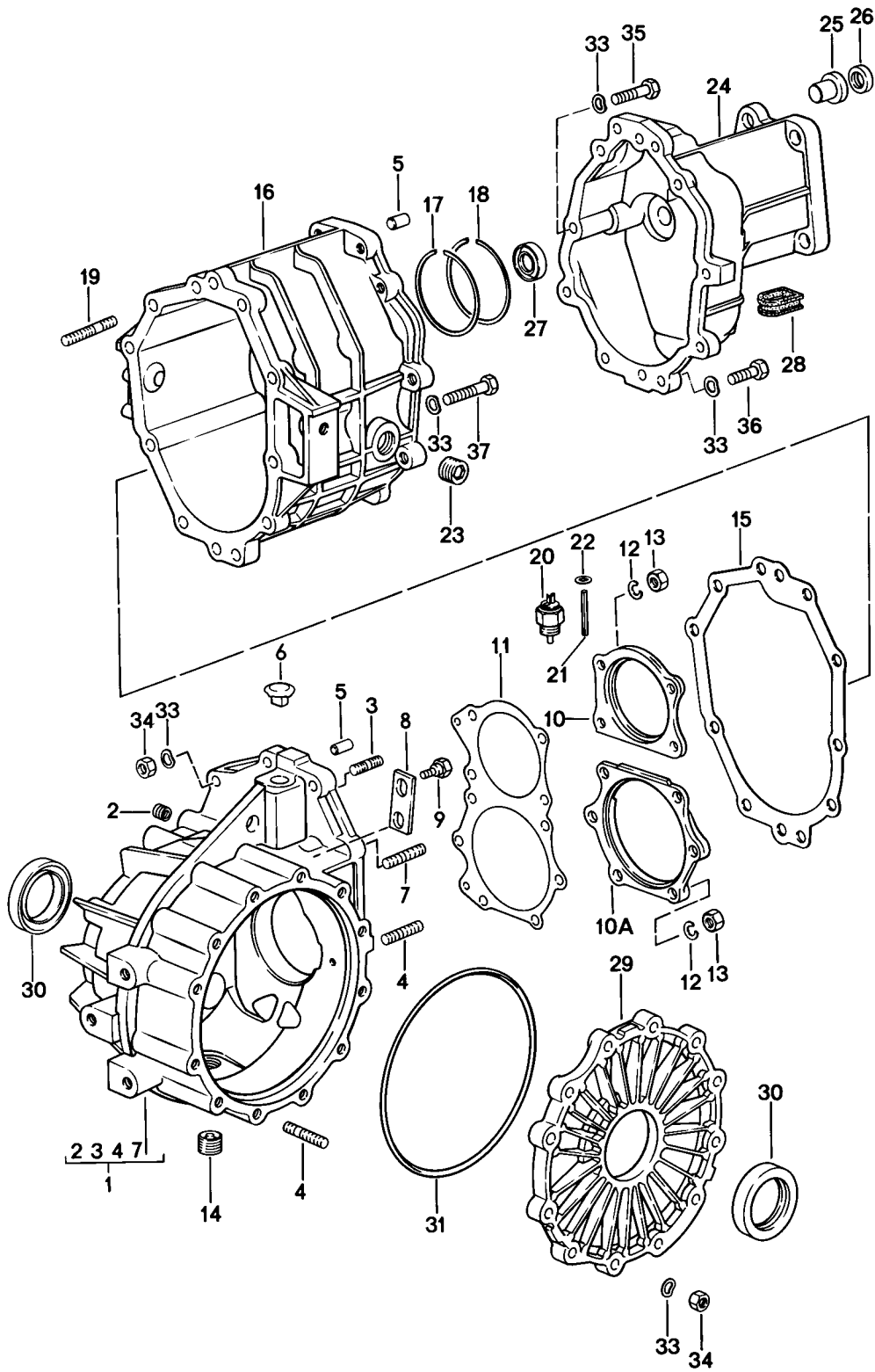
Model life 1976>>1979

Pos	Part Number	Description	Remark	Qty	Model
		Replacement transmission Transmission case 4-speed			924
-	088 300 043 J	Replacement transmission		1	YR
-	088 300 043 C	Replacement transmission Ready for installation G >> XT 20 02 9		1	XT
-	088 300 043 H	Replacement transmission Ready for installation G XT 21 02 9 >>		1	XT
1	088 301 103 C	Transmission case		1	
2	111 301 127 E	Screw plug M 24 X 1,5		1	
2	WHT 001 937	Screw plug M 24 X 1,5		1	
3	088 301 185	Sealing ring		1	
4	088 301 211 C	End plate G >> YR 20 02 9		1	YR XT
(4)	088 301 211 G	End plate G YR 21 02 9 >>		1	YR XT
5	014 301 473	Sleeve 12 M 6 X 28		2	
5	0A2 301 473	Sleeve 12 M 6 X 28		2	
6	N 010 332 4	Hexagon-head bolt M 8 X 32		12	
7	088 301 453	Lid		1	
8	900 075 193 08	Hexagon-head bolt M 6 X 16		3	
9	N 012 226 5	Spring washer		3	
10	928 303 120 01	Shaft sealing ring		1	
11	088 301 467 B	Lid		1	
11	088 301 467 D	Lid		1	
11	014 301 467 2	Transmission cover		1	
12	088 301 473	Breather pipe		1	
13	003 507 145 A	Cap		1	
14	088 301 687 A	Protective tube		1	
15	088 301 699 A	O-ring		1	
16	088 301 697 B	Dowel sleeve		1	
17	999 113 275 40	Shaft sealing ring		1	
18	N 090 194 2	Hexagon-head bolt M 7 X 16		3	
19	N 010 183 1	Hexagon-head bolt M 12 X 75		2	
20	900 028 014 02	Washer		3	
20	900 028 014 03	Washer		3	
21	N 010 185 3	Hexagon-head bolt M 12 X 80		1	
22	N 011 531 7	Washer		1	
23	N 011 020 8	Hexagon nut		1	
23	900 034 036 01	Hexagon nut		1	
24	N 010 460 2	Hexagon-head bolt M 10 X 60		1	
25	N 011 527 2	Washer		1	
26	N 012 230 6	Spring washer		1	
27	N 011 010 6	Hexagon nut		1	
27	N 101 552 10	Hexagon nut Back-up light switch See group 9/06/00		1	



Model: 924 76

Model life 1976>>1979



Model: 924 76

Model life 1976&gt;&gt;1979

Pos	Part Number	Description	Remark	Qty	Model
		Replacement transmission Transmission case 5-speed			
-	477 300 010	Replacement transmission Ready for installation	(J) 78	1	VA
-	477 300 010 A	Replacement transmission Ready for installation		1	VB
-	477 300 010 C	Replacement transmission with Limited-slip differential Ready for installation		1	VB
1	477 301 901 A	Rear axle housing		1	VA VB
2	999 504 047 00	Threaded insert M 10 X 10		2	
3	999 062 006 02	Stud BM 8 X 20		6	VA VB
4	999 062 008 02	Stud BM 8 X 25		16	VA VB
5	900 012 110 00	Straight pin M 6 X 14		4	
6	928 301 311 01	Bleeder		1	
7	999 062 009 02	Stud BM 8 X 28		2	
7	900 060 105 01	Stud BM 8 X 28		2	
8	477 303 132 A	Locking piece		1	
9	477 303 133 A	Hexagon-head bolt for Locking piece		2	
(10)	930 302 121 00	Tensioning plate		1	VA VB
11	915 302 268 03	Adjusting shim 0,10 MM		X	
(11)	915 302 268 04	Adjusting shim 0,15 MM		X	
(11)	915 302 268 05	Adjusting shim 0,20 MM		X	
12	900 027 015 02	Lock ring		10	
12	900 027 015 03	Lock ring		10	
13	900 076 025 02	Hexagon nut		10	
13	900 076 064 02	Hexagon nut		10	
14	113 301 141 B	Magnetic plug		1	
14	999 064 020 02	Magnetic plug		1	
15	477 301 191 A	Gasket		1	
16	477 301 902	Gear housing		1	VA VB
17	900 111 001 00	Circlip		2	
18	999 152 031 01	Circlip		2	
19	999 062 098 02	Stud BM 8 X 38		1	
20	084 941 521	Switch --10/78		1	
(20)		Back-up light switch 11/78--		1	
21	931 303 175 00	Pin		1	
22	999 041 503 01	Locking ring		1	
23	111 301 127 E	Screw plug M 24 X 1,5		1	
23	WHT 001 937	Screw plug M 24 X 1,5		1	
24	477 301 301 C	Transmission cover Front		1	VA VB
25	001 301 209	Guide bush		1	
26	001 301 227	Radial shaft seal 15 X 24 X 7		1	

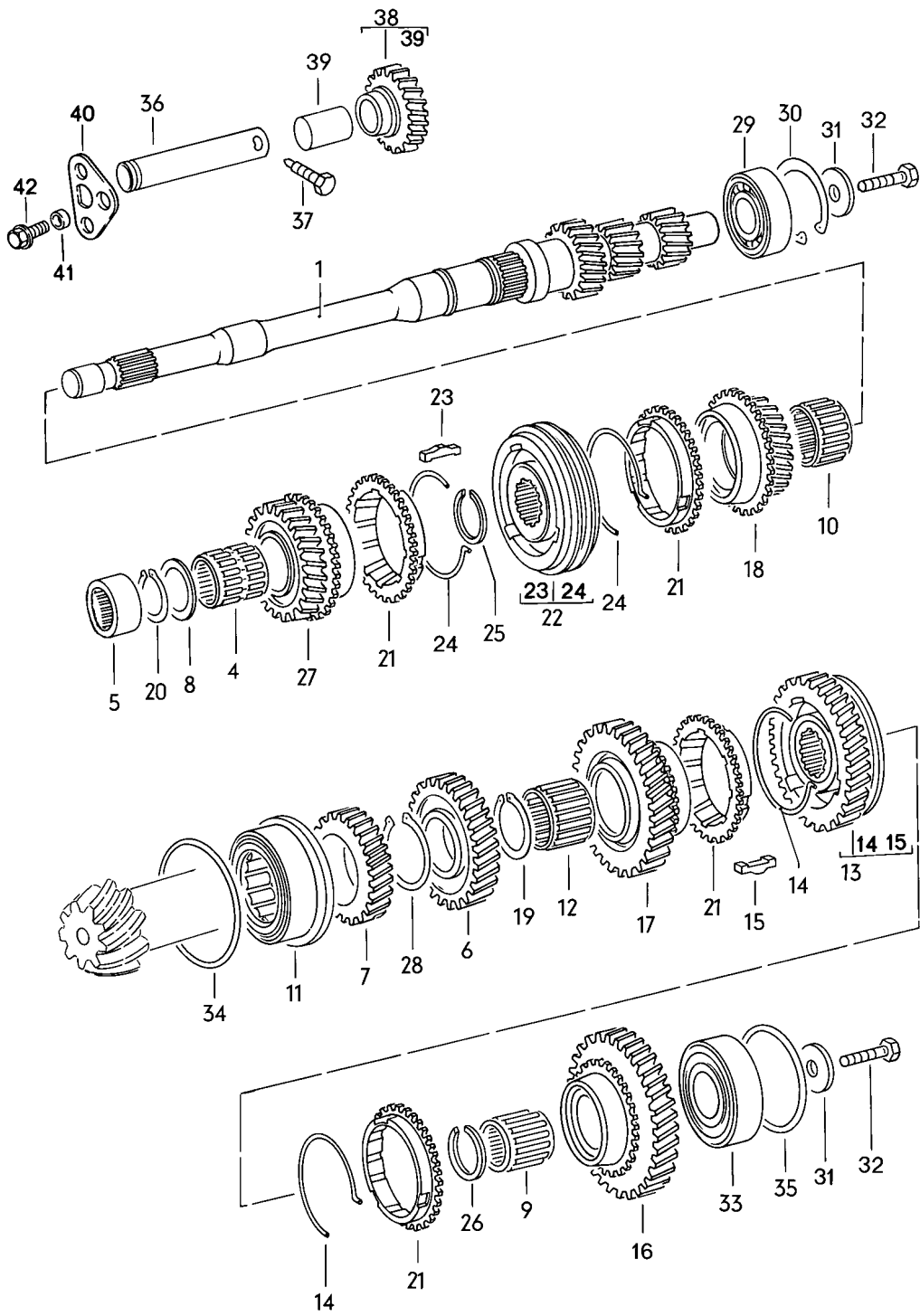
Model: 924 76

Model life 1976>>1979

Pos	Part Number	Description	Remark	Qty	Model
27	014 311 113 B	Radial shaft seal		1	VA VB
28	928 301 171 00	Cap		1	
29	915 301 311 06	Transmission cover		1	
30	999 113 183 40	Radial shaft seal 45 X 68 X 10		2	
31	999 701 392 40	O-ring		1	
33	N 012 241 8	Spring washer		X	
34	900 076 025 02	Hexagon nut		X	
34	900 076 064 02	Hexagon nut		X	
35	900 074 134 02	Hexagon-head bolt M 8 X 45		1	
36	900 075 099 02	Hexagon-head bolt M 8 X 30		9	
36	900 075 099 03	Hexagon-head bolt M 8 X 30		9	
37	900 074 139 02	Hexagon-head bolt M 8 X 55		1	
37	900 074 139 03	Hexagon-head bolt M 8 X 55		1	

Model: 924 76

Model life 1976>>1979



Model: 924 76 Model life 1976>>1979

Pos	Part Number	Description	Remark	Qty	Model
		Gears and shafts 4-speed			924
1	088 311 105 AD	Drive shaft		1	
4	016 311 115	Needle-roller bearing 4th speed		1	
5	088 311 123	Needle sleeve		1	
6	088 311 131 A	Gear wheel		1	
7	088 311 149	Gear wheel		1	
8	088 311 155 A	Thrust washer		1	
9	088 311 207	Needle-roller bearing		1	
10	088 311 213	Needle-roller bearing		1	
11	088 311 220	Bearing		1	
12	088 311 229 B	Needle-roller bearing 2nd gear		1	
13	088 311 239 A	Synchronising hub 1st / 2nd gear with Operating sleeve		1	
14	088 311 311 D	Spring 1st / 2nd gear		2	
15	088 311 313	Detent		3	
16	088 311 257 A	Shifting gear 1st gear		1	
17	088 311 271 A	Shifting gear 2nd gear		1	
18	088 311 285 A	Shifting gear 3rd gear		1	
19	088 311 287	Circlip 1,65		1	
(19)	088 311 287 A	Circlip 1,70		X	
(19)	088 311 287 B	Circlip 1,75		X	
20	088 311 287	Circlip 1,65		1	
(20)	088 311 287 B	Circlip 1,75		X	
(20)	016 311 344	Circlip		1	
21	088 311 295 B	Synchroniser ring 1st gear 2nd gear 3rd gear 4th speed with Operating sleeve		4	
22	088 311 301 B	Synchronising hub 3rd/4th gear with Operating sleeve		1	
23	088 311 245	Detent		3	
24	088 311 311 B	Spring 3rd/4th gear		2	
25	088 311 317	Circlip 1,50		1	
(25)	088 311 317 B	Circlip 1,56		X	
(25)	088 311 317 C	Circlip 1,62		X	
26	088 311 327	Circlip 1,50		1	
(26)	088 311 327 A	Circlip 1,55		X	
(26)	088 311 327 B	Circlip		X	

Model: 924 76 Model life 1976>>1979

Pos	Part Number	Description	Remark	Qty	Model
27	088 311 351 A	1,60 Shifting gear		1	
28	088 311 363 AA	4th speed Circlip		1	
(28)	088 311 363 AC	2,34 Circlip		X	
(28)	088 311 363 AE	2,36 Circlip		X	
(28)	088 311 363 AG	2,38 Circlip		X	
(28)	088 311 363 AJ	2,40 Circlip		X	
(28)	088 311 363 AL	2,42 Circlip		X	
(28)	088 311 363 AN	2,44 Circlip		X	
(28)	088 311 363 AQ	2,46 Circlip		X	
(28)	088 311 363 AS	2,48 Circlip		X	
(28)	088 311 363 AS	2,50 Circlip		X	
29	088 311 371 E	Deep-groove ball bearing		1	
30	N 012 292 2	Circlip		1	
31	N 900 913 01	68 X 2,5 Washer		2	
32	N 010 239 11	Hexagon-head bolt		2	
32	N 010 239 30	M 8 X 18 Hexagon-head bolt		2	
33	088 311 375	M 8 X 18 Bearing		1	
34	088 311 391	Shim		1	
(34)	088 311 391 A	0,20 Shim		X	
(34)	088 311 391 B	0,25 Shim		X	
(34)	088 311 391 C	0,30 Shim		X	
(34)	088 311 391 D	0,35 Shim		X	
(34)	088 311 391 E	0,40 Shim		X	
(34)	088 311 391 F	0,65 Shim		X	
(34)	088 311 391 G	0,90 Shim		X	
35	088 311 393	1,15 Shim		1	
(35)	088 311 393 A	0,24 Shim		X	
(35)	088 311 393 B	0,27 Shim		X	
(35)	088 311 393 C	0,30 Shim		X	
(35)	088 311 393 D	0,33 Shim		X	
(35)	088 311 393 E	0,36 Shim		X	
(35)	088 311 393 F	0,39 Shim		X	
(35)	088 311 393 G	0,42 Shim		X	
(35)	088 311 393 H	0,45 Shim		X	

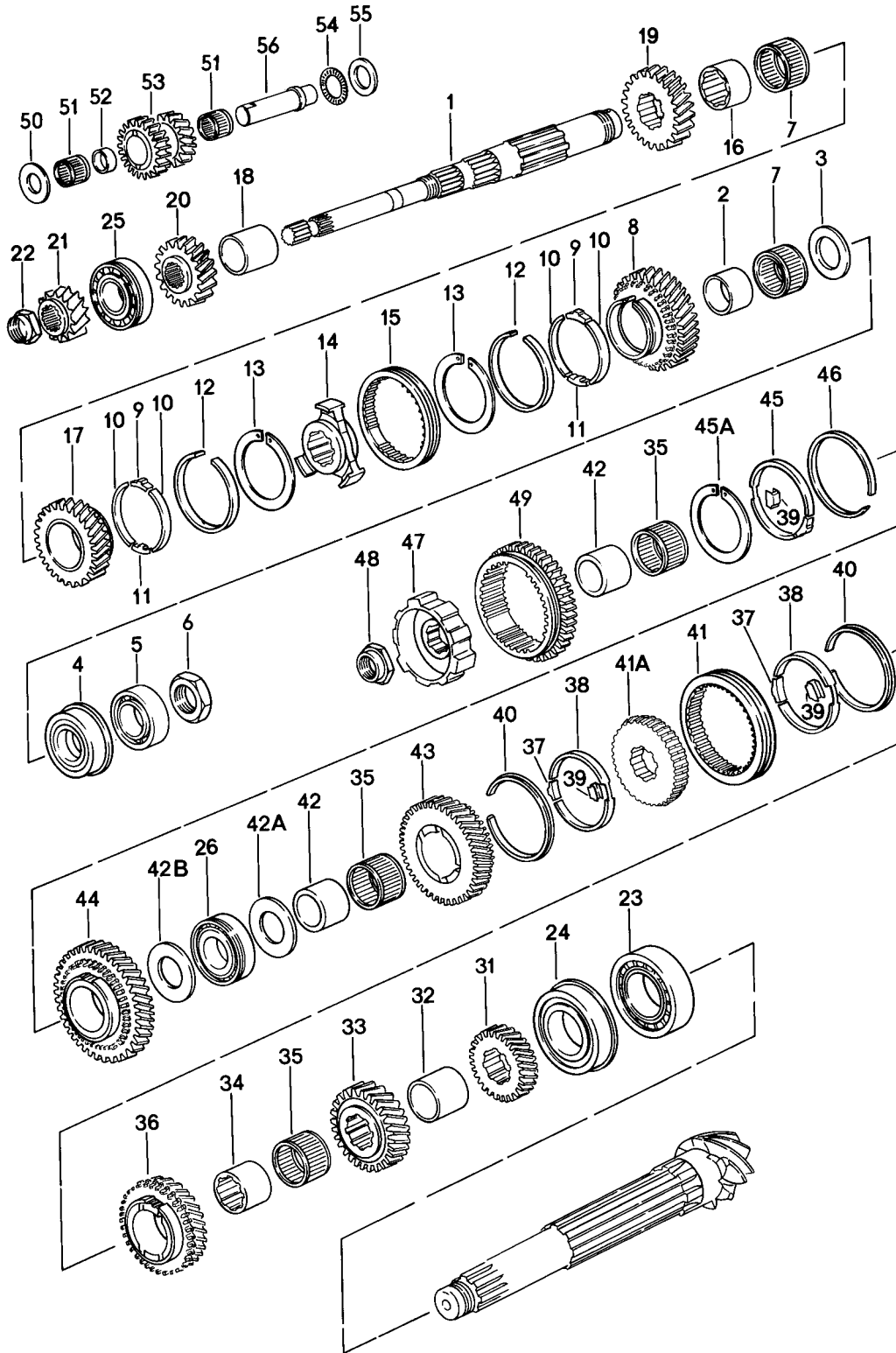
Model: 924 76

Model life 1976>>1979

Pos	Part Number	Description	Remark	Qty	Model
(35)	088 311 393 J	0,69 Shim		X	
(35)	088 311 393 K	0,93 Shim		X	
(35)	088 311 393 L	1,17 Shim		X	
36	088 311 519 A	1,41 Reverse idler gear shaft G >> YR 20 02 9		1	
(36)	016 311 519 A	Reverse idler gear shaft G YR 21 02 9 >>		1	
37	088 311 527 A	Hexagon-head bolt G >> YR 20 02 9		1	
38	088 311 529	Reverse idler gear G >> YR 20 02 9		1	
(38)	016 311 529 D	Reverse idler gear G YR 21 02 9 >>		1	
39	088 311 533	Bush		1	
40	016 311 853 A	Retainer plate G YR 21 02 9 >>		1	
41	088 301 291 A	Shouldered bolt G YR 21 02 9 >>		1	
42		Shouldered bolt M 8 X 16 G YR 21 02 9 >>		1	

Model: 924 76

Model life 1976>>1979





Model: 924 76

Model life 1976>>1979

Pos	Part Number	Description	Remark	Qty	Model
-	477 302 901 A	Gears and shafts 5-speed Transmission Gear set See technical information GR. 3 NR. 6 1st gear Reverse gear Z = 14:39 Comprising: Loose gear wheel Fixed gear wheel Reverse idler gear	(J) 78	1	VA
-	477 302 902	Gear set 2nd gear Z = 18:31 Comprising: Loose gear wheel Fixed gear wheel		1	
-	477 302 903	Gear set 3rd gear Z = 23:28 Comprising: Loose gear wheel Fixed gear wheel		1	
-	477 302 904	Gear set 4th speed Z = 29:27 Comprising: Loose gear wheel Fixed gear wheel		1	
-	477 302 905 A	Gear set 5th gear Z = 34:24 Comprising: Loose gear wheel Fixed gear wheel		1	
-	477 302 911 A	Ring gear and pinion shaft 7:33 Comprising: Drive shaft Crown wheel Transmission Gear wheel sets		1	VB
-	477 302 901 A	016 Y Gear set 1st gear Reverse gear Z = 14:39 Comprising: Loose gear wheel Fixed gear wheel Reverse idler gear		1	
-	477 302 902 S	Gear set 2nd gear Z = 19:32 Comprising: Loose gear wheel Fixed gear wheel		1	
-	477 302 903 C	Gear set 3rd gear Z = 27:30 Comprising:		1	

Model: 924 76

Model life 1976&gt;&gt;1979

Pos	Part Number	Description	Remark	Qty	Model
-	477 302 904 C	Loose gear wheel Fixed gear wheel Gear set 4th speed Z = 31:25 Comprising: Loose gear wheel Fixed gear wheel		1	
-	477 302 905 S	Gear set 5th gear Z = 35:21 Comprising: Loose gear wheel Fixed gear wheel		1	
-	477 302 911 C	Ring gear and pinion shaft 7:35 Comprising: Drive shaft Crown wheel		1	
1	477 302 101 B	Drive shaft		1	VA VB
2	915 302 261 00	Bush		1	
2	915 302 261 03	5th gear Bush		1	
3	930 302 291 00	5th gear		1	
4	999 052 030 00	Thrust washer		1	
5	930 302 391 00	Four-point bearing		1	
5	930 302 391 01	Cylindrical-roller bearing		1	
6	930 302 281 00	Cylindrical-roller bearing		1	
7	999 201 470 00	Collar nut M 30 X 1,5		1	
8		Needle cage		2	
9	911 302 315 00	Loose gear wheel		1	
10	911 302 316 00	5th gear		2	
11	911 302 317 12	Detent		4	
12	911 302 301 08	Spring		2	
13	911 302 311 01	Stop		2	
14	911 302 402 20	Synchroniser ring		2	
15	911 302 411 20	Circlip		1	
15	911 302 411 26	Guide sleeve		1	
15	911 302 411 27	Shift sleeve		1	
16	915 302 262 00	Shift sleeve		1	
17		Bush 4th speed		1	
18	477 302 267	Loose gear wheel		1	VA VB
19		4th speed Spacer sleeve		1	
20		Fixed gear wheel		1	
21		3rd gear		1	
22	477 302 280	Fixed gear wheel		1	VA VB
23	999 110 146 00	2nd gear		1	
23	999 110 146 01	Fixed gear wheel		1	
24	917 301 391 00	1st gear		1	VA,VB
25	999 110 084 00	Collar nut M 22 X 1,5		1	VA VB
26	999 110 076 00	Cylindrical-roller bearing		1	
26	999 110 181 02	Cylindrical-roller bearing		1	
31		Fixed gear wheel		1	
		5th gear		1	

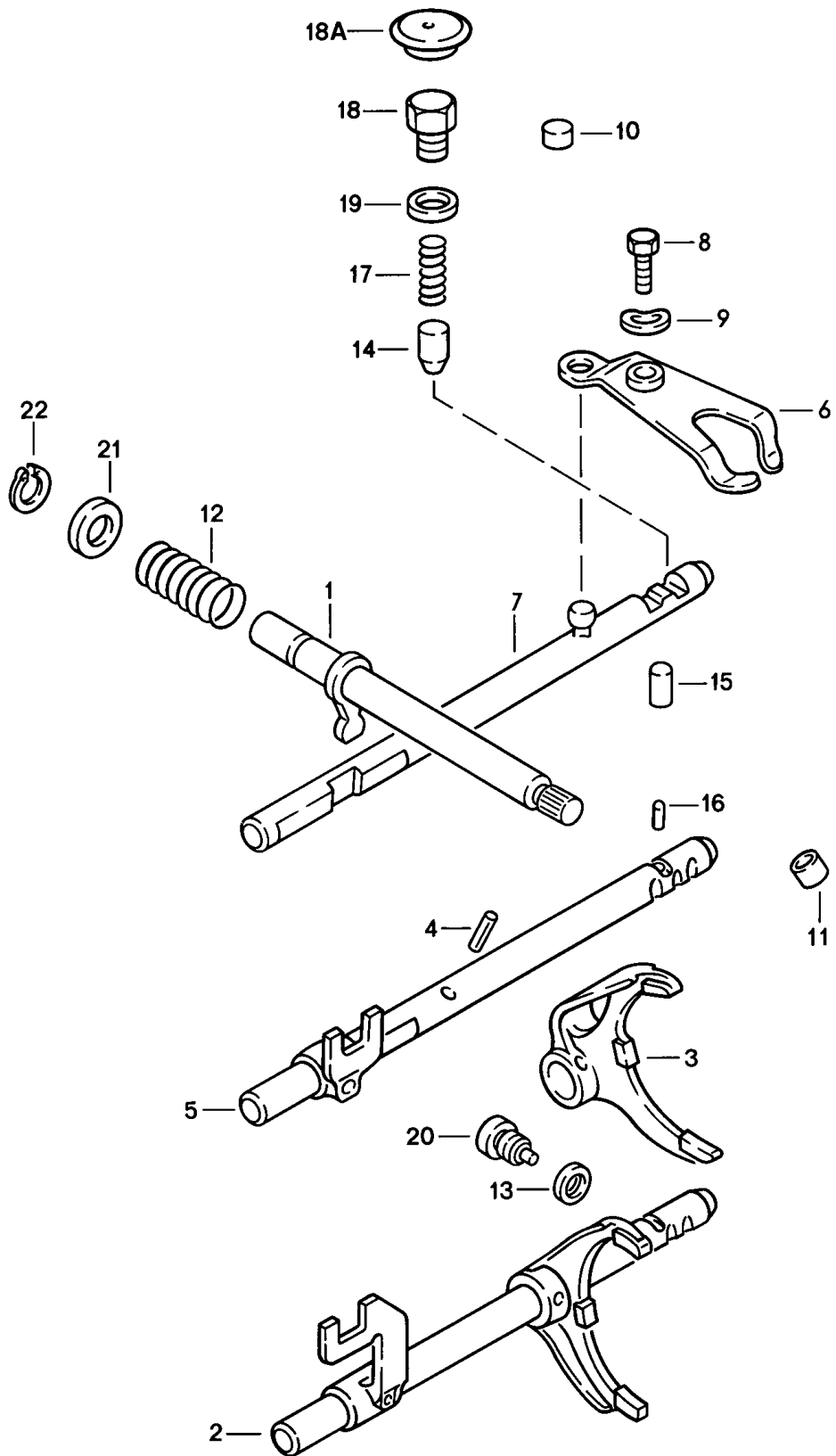
Model: 924 76

Model life 1976>>1979

Pos	Part Number	Description	Remark	Qty	Model
32	477 302 266	Spacer sleeve		1	
33		Fixed gear wheel		1	
		4th speed			
34	477 302 263	Bush		1	
		3rd gear			
35	477 302 298	Needle cage		3	
36		Loose gear wheel		1	
		3rd gear			
37	915 302 315 01	Stone		3	
38	928 302 318 01	Double barricade tape		2	
39	928 302 321 00	Stop		3	
40	928 302 301 30	Synchroniser ring		2	VA VB
41	928 302 413 08	Shift sleeve		1	
41	928 302 413 13	Shift sleeve		1	
41A	477 302 402	Guide sleeve		1	
		2nd/3rd gear			
42	477 302 261	Bush		2	
		1st / 2nd gear			
42A	477 302 291	Thrust washer		2	VA VB
43		Loose gear wheel		1	
		2nd gear			
44		Loose gear wheel		1	
		1st gear			
45	928 302 319 05	Double barricade tape		1	
45A	915 302 311 01	Circlip		1	
46	931 302 301 02	Synchroniser ring		1	
47	931 302 401 00	Guide sleeve		1	
		1st gear			
		Reverse gear			
48	915 302 282 00	Collar nut		1	
		M 24 X 1,5			
49	477 302 227 B	Shifting gear		1	VA VB
		1st gear			
		Reverse gear			
50	915 302 229 01	Thrust washer		1	
51	999 201 141 00	Needle cage		2	
52	477 302 231	Intermediate ring		1	VA VB
53		Reverse idler gear		1	
54	999 202 001 00	Needle cage		1	
55	999 201 707 00	Washer		1	
56	477 302 233	Eccentric bolt		1	VA VB

Model: 924 76

Model life 1976>>1979

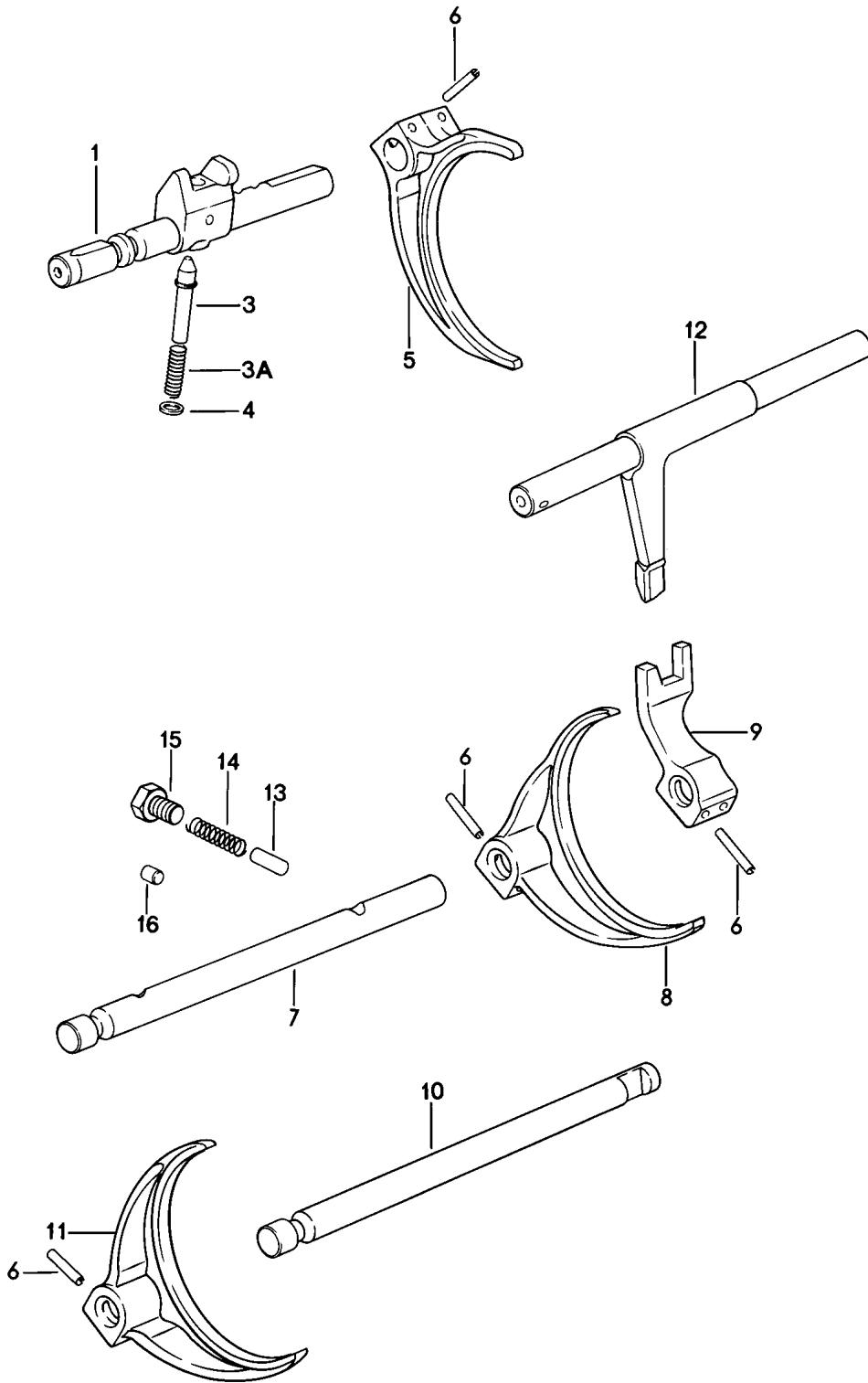


Model: 924 76 Model life 1976>>1979

Pos	Part Number	Description	Remark	Qty	Model
		Transmission control 4-speed			924
1	088 311 541	Shift rod		1	
2	088 311 549 A	Shift fork 1st / 2nd gear		1	
3	088 311 561 B	Shift fork 3rd/4th gear		1	
4	N 900 073 01	Tensioning sleeve 6 X 22		1	
5	088 311 565 A	Gear shift rod 3rd/4th gear		1	
6	088 311 573	Reverse lever G >> YR 20 02 9		1	
(6)	016 311 573 B	Reverse lever G YR 21 02 9 >>		1	
7	088 311 575 A	Gear shift rod Reverse gear G >> YR 20 02 9		1	
(7)	088 311 575 E	Gear shift rod Reverse gear G YR 21 02 9 >>		1	
8	084 311 589 B	Pan-head screw M 10 X 32		1	
9	N 012 230 6	Spring washer		1	
10	N 011 912 1	Lid		1	
11	019 301 115	Stopper		1	
12	088 311 645 C	Compression spring		1	
13	088 311 599	Sealing ring		2	
14	084 311 621 D	Bush		3	
15	014 311 629	Detent		2	
16	014 311 635	Intermediate piece		1	
17	014 311 641 A	Compression spring		3	
18	088 311 689 B	Threaded bush		1	
18A	088 311 707	Cap		1	
19	900 123 140 30	Sealing ring		1	
20	088 311 721	Stop screw		2	
21	088 311 723	Washer		1	
22	N 012 416 1	Circlip 16 X 1		1	

Model: 924 76

Model life 1976>>1979



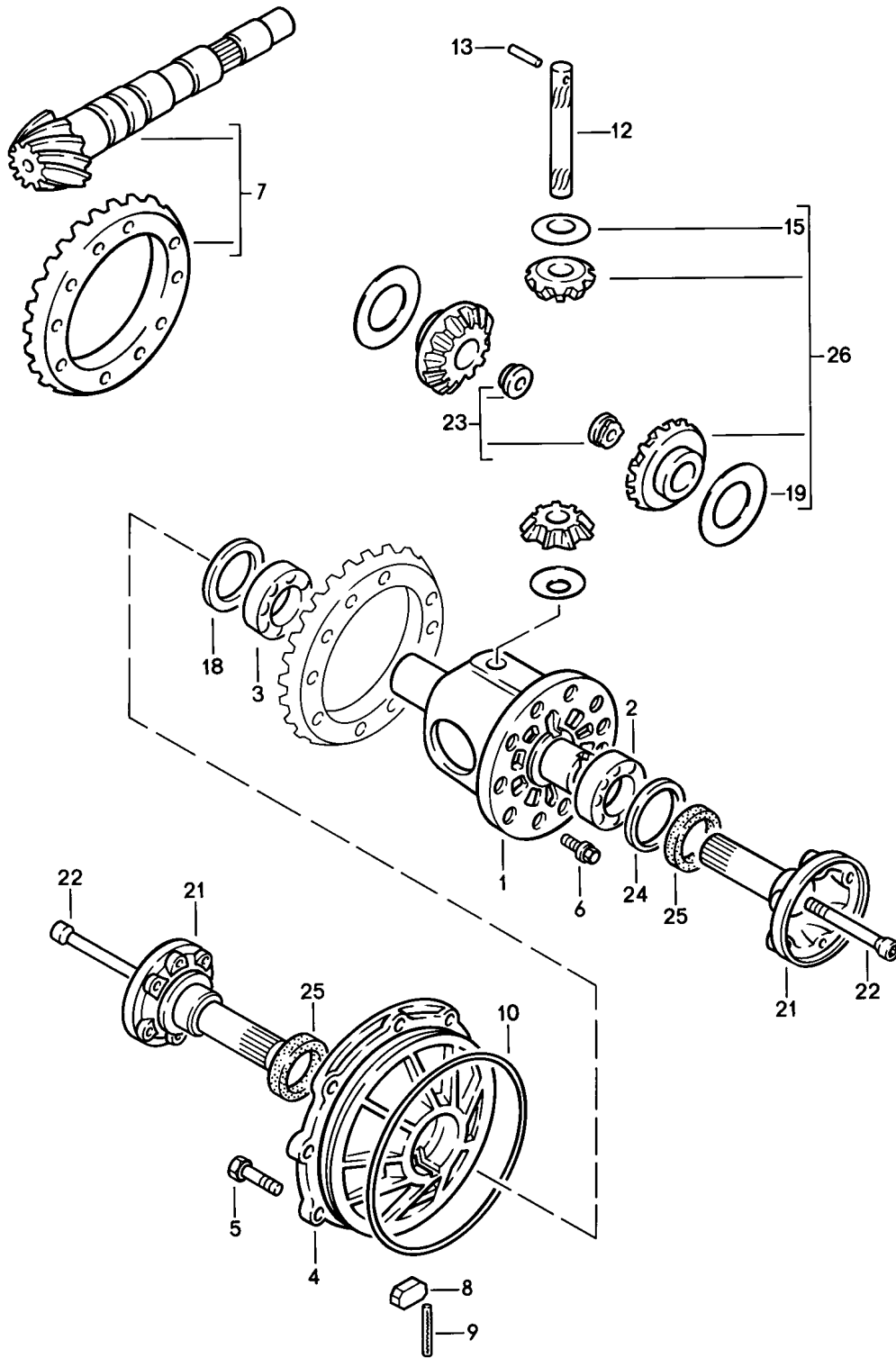
Model: 924 76

Model life 1976&gt;&gt;1979

Pos	Part Number	Description	Remark	Qty	Model
1	477 303 102 A	Transmission control 5-speed Gear shift rod 1st gear Reverse gear		1	VA VB
3	477 303 230 C	Locking bolt		1	
3A	477 303 234 C	Spring		1	
4	477 303 235	Washer		1	
5	477 303 111	Shift fork 1st gear Reverse gear		1	VA VB
6	N 013 317 1	Roll pin 5 X 28		6	
7	477 303 103 A	Gear shift rod 2nd/3rd gear		1	
8	477 303 112	Shift fork 2nd/3rd gear		1	
9	477 303 115	Contact 2nd/3rd gear		1	
10	477 303 104 A	Gear shift rod 4. / 5. GANG		1	
11	477 303 114	Shift fork 4. / 5. GANG		1	
12	477 303 101	Inner shift rod		1	
13	931 303 131 00	Detent		4	
14	477 303 236	Spring		3	
15	900 075 352 02	Hexagon-head bolt M 10 X 8		3	
16	901 105 379 00	Stopper		1	

Model: 924 76

Model life 1976>>1979





Model: 924 76 Model life 1976>>1979

Pos	Part Number	Description	Remark	Qty	Model
		Differential 4-speed			924
1	088 409 121 B	Differential housing		1	
2	016 409 123	Taper roller bearing	/L	1	
3	113 517 185 C	Taper roller bearing	/R	1	
3	113 517 185 B	Taper roller bearing	/R	1	
4	088 409 131 C	Lid		1	
5	N 090 191 1	Hexagon-head bolt M 8 X 35		9	
6	088 409 135 A	Hexagon-head bolt M 10 X 18		10	
7	088 409 143 T	Ring gear and pinion shaft 9:31		1	YR
(7)	088 409 143 Q	Ring gear and pinion shaft 9:35		1	XT
8	084 301 143 A	Magnet		1	
9	N 013 344 2	Tensioning sleeve		1	
10	113 301 185 A	O-ring		1	
12	005 409 177	Bolt		1	
13	N 013 291 1	Tensioning sleeve		1	
15	016 409 170	Thrust washer		2	
18	113 517 201 A	Adjusting shim 0,15	/R	1	
(18)	113 517 202 A	Adjusting shim 0,20	/R	X	
(18)	113 517 203 A	Adjusting shim 0,30	/R	X	
(18)	113 517 204 A	Adjusting shim 0,40	/R	X	
(18)	113 517 205 A	Adjusting shim 0,50	/R	X	
(18)	113 517 206 A	Adjusting shim 0,60	/R	X	
(18)	02A 409 210 A	Adjusting shim 0,70	/R	X	
(18)	02A 409 210 C	Adjusting shim 0,80	/R	X	
(18)	02A 409 210 E	Adjusting shim 0,90	/R	X	
(18)	02A 409 210 G	Adjusting shim 1,00	/R	X	
(18)	113 517 211 A	Adjusting shim 1,20	/R	X	
(18)	02A 409 210 1	Shim 1,20	/R	X	
(18)	02A 409 210 L	Adjusting shim 1,20	/R	X	
19	011 519 215	Thrust washer 0,50 MM		2	
(19)	088 409 249	Thrust washer 0,60 MM		X	
(19)	088 409 249 A	Thrust washer 0,70 MM		X	
(19)	088 409 249 B	Thrust washer 0,80 MM		X	
21	088 409 355 C	Flanged shaft		2	
22	088 409 359	Screw		2	
23	016 409 161	Lock nut		2	
24	018 409 381	Shim 0,15	/L	1	
(24)	018 409 383	Shim 0,20	/L	X	
(24)	018 409 385	Shim	/L	X	

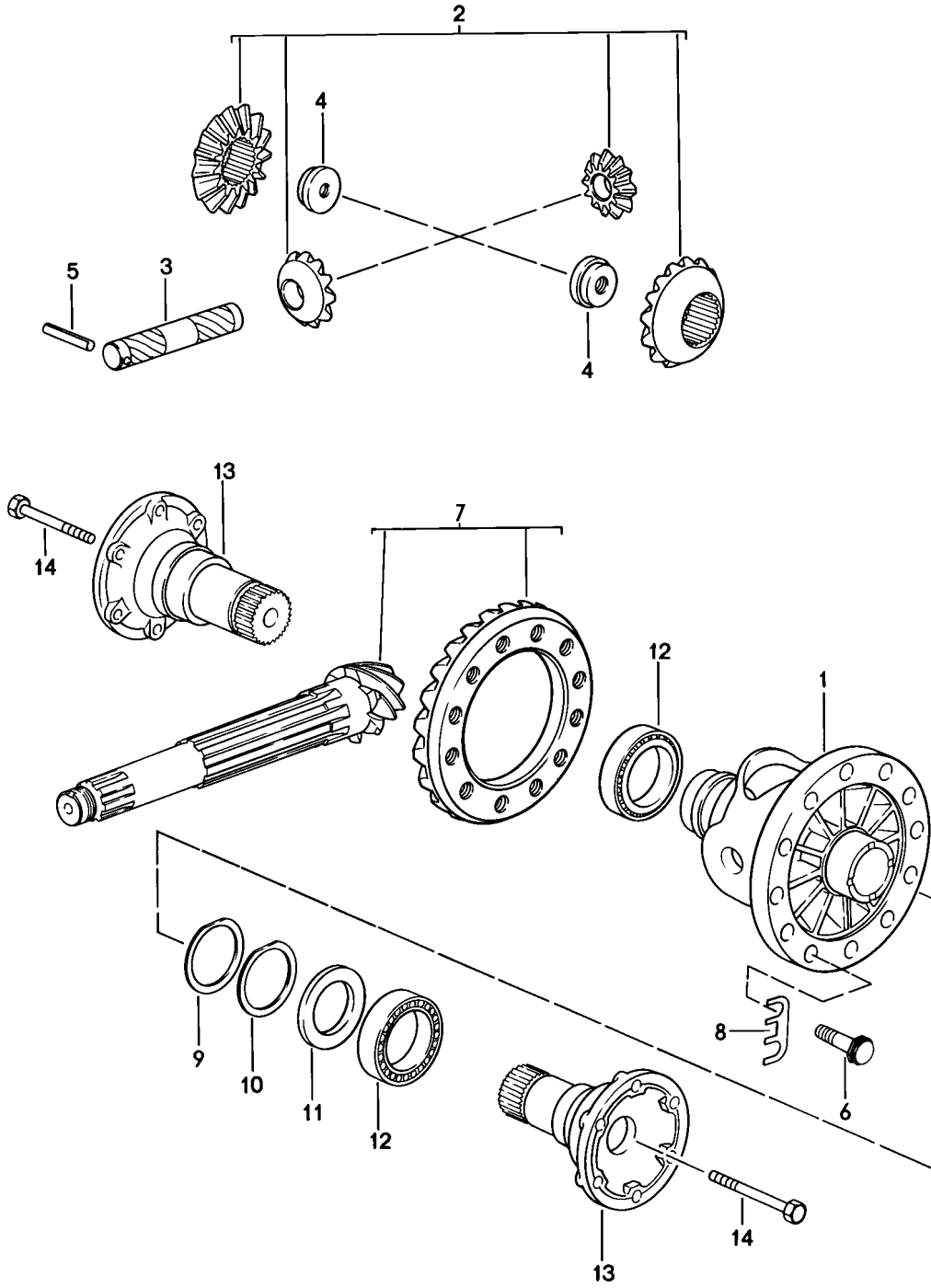
Model: 924 76

Model life 1976>>1979

Pos	Part Number	Description	Remark	Qty	Model
(24)	018 409 387	0,25 Shim	/L	X	
(24)	018 409 385	0,50 Shim	/L	X	
(24)	018 409 389	0,50 Shim	/L	X	
(24)	018 409 391	0,80 Shim	/L	X	
(24)	018 409 393	1,00 Shim	/L	X	
25	016 409 399 B	1,50 Radial shaft seal		2	
26	090 598 081	Repair kit for Differential		1	

Model: 924 76

Model life 1976>>1979



Model: 924 76 Model life 1976>>1979

Pos	Part Number	Description	Remark	Qty	Model
1	930 332 212 01	Differential 5-speed Differential housing \$ 21 MM		1	
2	928 332 902 00	Differential pinions 1 set \$ 18 MM		1	
2	928 332 902 01	Differential pinions 1 set \$ 21 MM		1	
2	928 332 902 90	Differential pinions 1 set \$ 21 MM		1	
2	950 332 902 90	Differential pinions 1 set \$ 21 MM		1	
3	005 409 177 00	Differential bolt \$ 18 MM		1	
3	928 332 207 05	Differential bolt \$ 21 MM		1	
4	928 332 279 02	Nut for \$ 21 MM		2	
5	900 309 035 00	Roll pin 5 X 40		1	
6	928 332 276 03	Hexagon-head bolt		12	
7	477 302 911 A	Ring gear and pinion shaft 7:33	(J) 78	1	VA
(7)	477 302 911 C	Ring gear and pinion shaft 7:35		1	VB
8	901 332 285 01	Tab washer		6	
9	915 332 265 00	Adjusting ring 2,40 MM		2	
(9)	915 332 265 01	Adjusting ring 2,50 MM		X	
(9)	915 332 265 02	Adjusting ring 2,60 MM		X	
(9)	915 332 265 03	Adjusting ring 2,70 MM		X	
(9)	915 332 265 04	Adjusting ring 2,80 MM		X	
(9)	915 332 265 05	Adjusting ring 2,90 MM		X	
(9)	915 332 265 06	Adjusting ring 3,00 MM		X	
(9)	915 332 265 07	Adjusting ring 3,10 MM		X	
(9)	915 332 265 08	Adjusting ring 3,20 MM		X	
(9)	915 332 265 09	Adjusting ring 3,30 MM		X	
(9)	915 332 265 10	Adjusting ring 3,40 MM		X	
(9)	915 332 265 11	Adjusting ring 3,50 MM		X	
(9)	915 332 265 12	Adjusting ring 3,60 MM		X	
(9)	915 332 265 13	Adjusting ring 3,70 MM		X	
10	915 332 263 00	Adjusting ring		2	
11	477 332 344	Intermediate ring		1	
12	999 059 027 00	Taper roller bearing		2	
12	999 059 027 02	Taper roller bearing		2	

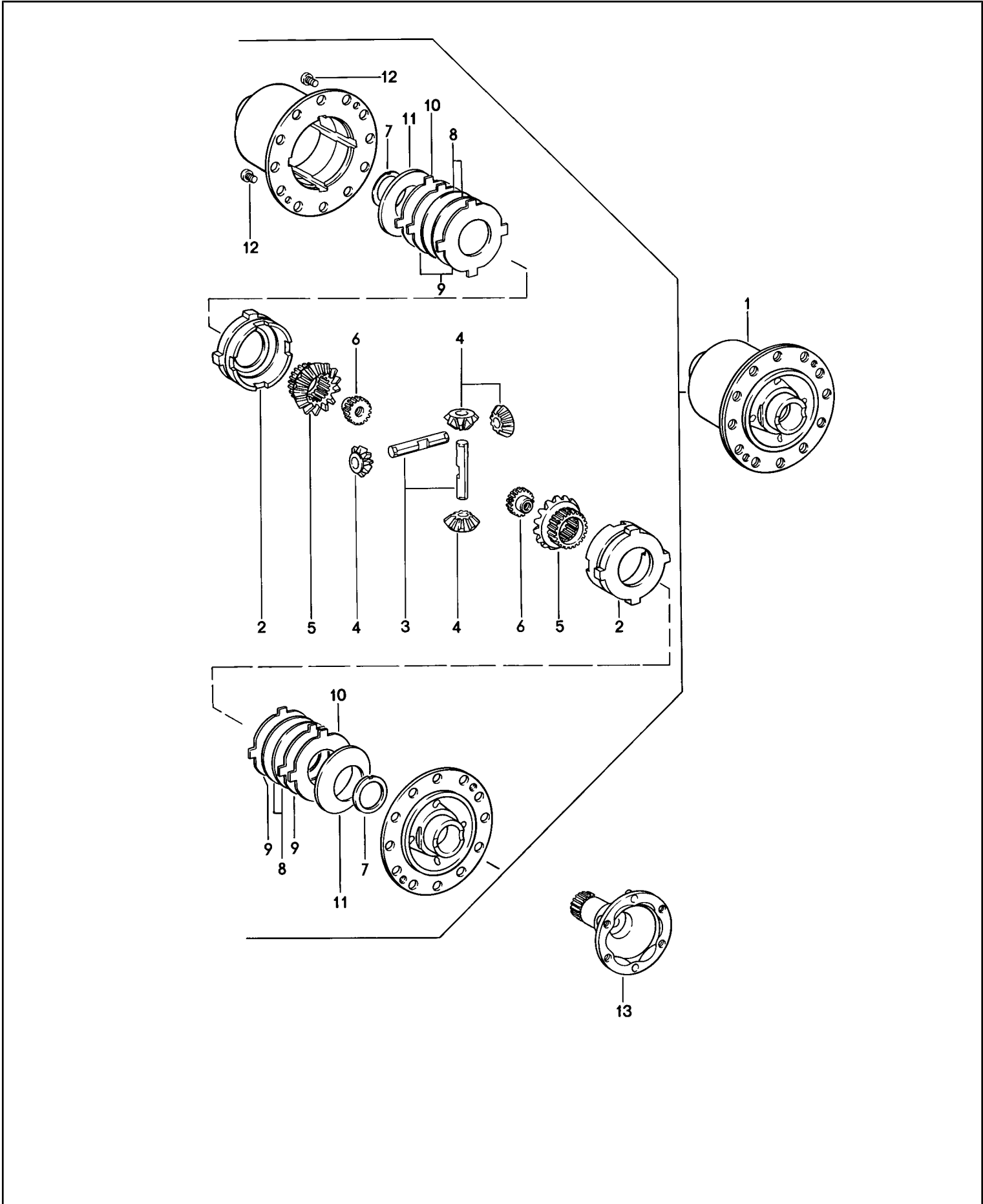
Model: 924 76

Model life 1976&gt;&gt;1979

Pos	Part Number	Description	Remark	Qty	Model
13	477 332 209 A	Joint flange		2	
14	900 074 291 02	Hexagon-head bolt M 10 X 80 \$ 18 MM		2	
14		Hexagon-head bolt M 10 X 78 \$ 21 MM		2	

Model: 924 76

Model life 1976>>1979



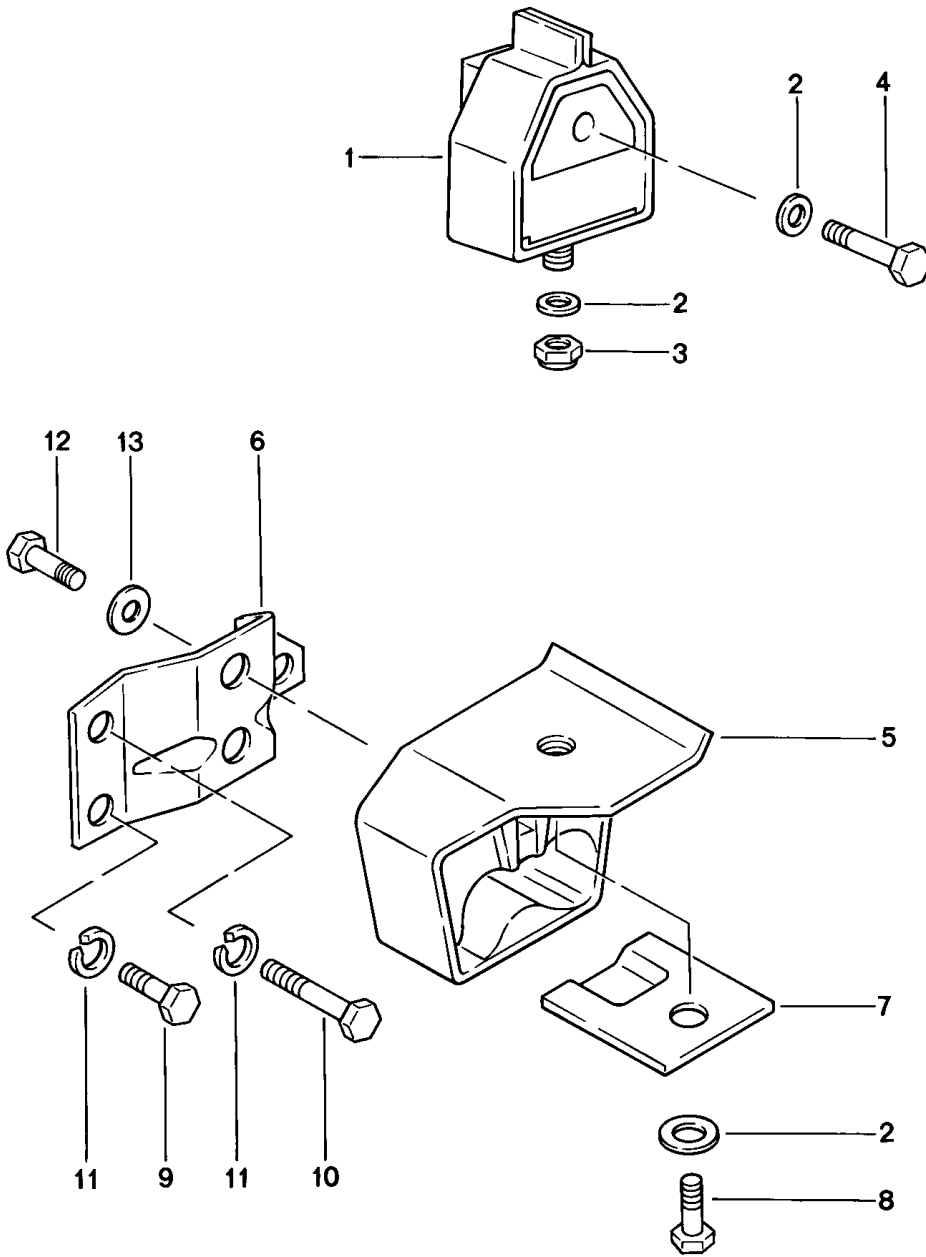
Model: 924 76

Model life 1976>>1979

Pos	Part Number	Description	Remark	Qty	Model
		Limited-slip differential 5-speed			M220
1	930 332 053 03	Limited-slip differential		1	
2	901 332 511 11	Thrust ring		2	
3	915 332 541 02	Differential shaft		2	
4	915 332 531 02	Bevel pinion		4	
5	930 332 535 01	Shaft bevel gear		2	
6	928 332 279 01	Threaded disc		2	
7	901 332 561 11	Thrust washer		2	
8	917 332 551 10	Inner disc 2,00 MM		4	
9	917 332 552 10	Disc with external splines 1,90 MM		4	
9	917 332 552 11	Disc with external splines 2,00 MM		X	
9	917 332 552 12	Disc with external splines 2,10 MM		X	
10	930 332 553 00	Lamina 1,40 MM		2	
11	928 332 555 00	Cup spring		2	
12	900 119 002 00	Pan-head screw M 6 X 10		2	
13	477 332 209 A	Joint flange		2	

Model: 924 76

Model life 1976>>1979





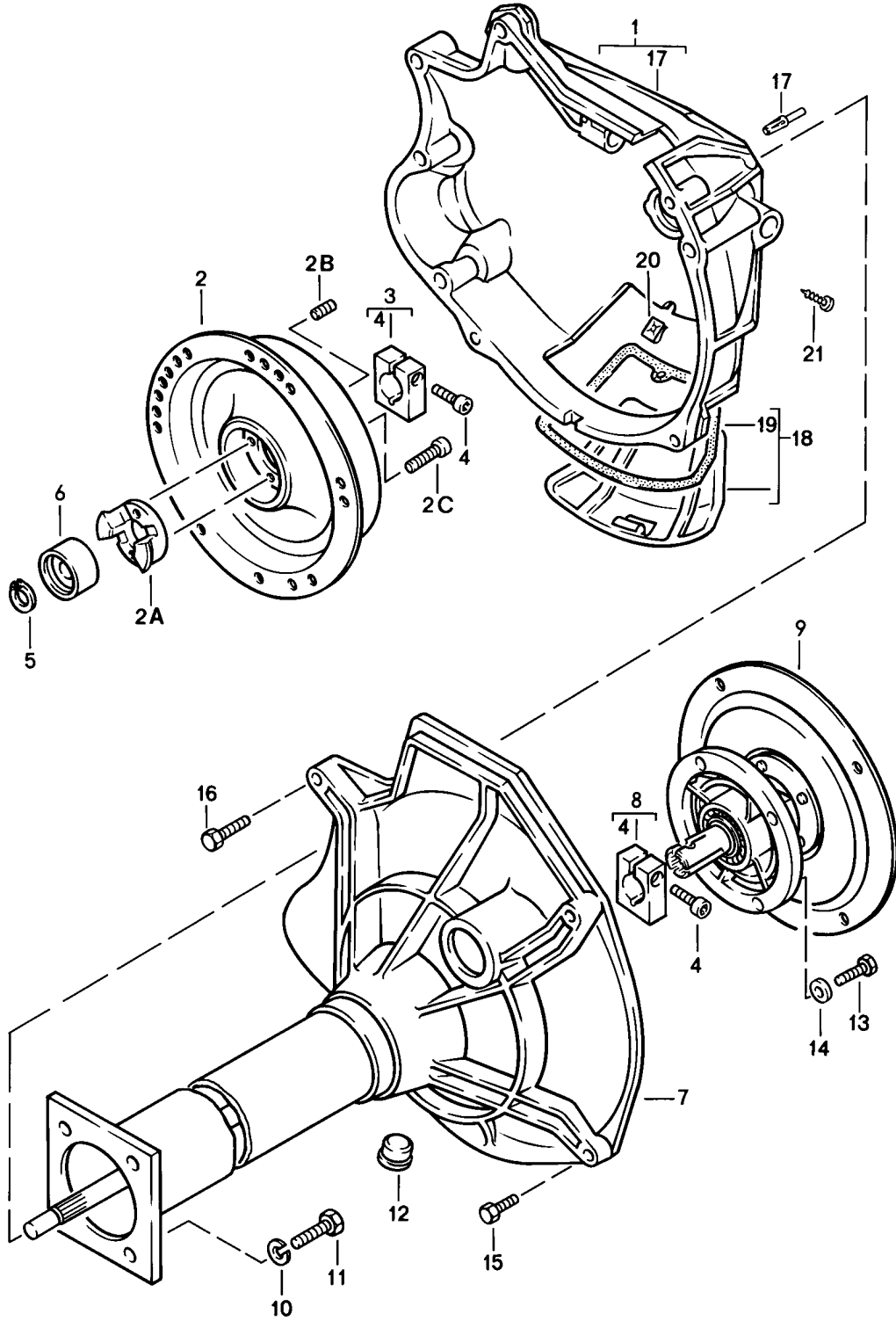
Model: 924 76

Model life 1976>>1979

Pos	Part Number	Description	Remark	Qty	Model
		Transmission suspension Position 1-4 for 5th gear Manual transmission			
1	477 399 153 H	Transmission mounting		2	
2	900 025 008 09	Washer		4	
2	900 025 008 04	Washer		4	
3	N 022 149 2	Lock nut		2	
4	N 010 473 6	Hexagon-head bolt M 10 X 75 Position 5-13 for 4th speed Manual transmission		2	
5	477 399 153 J	Transmission mounting in pairs Use Use also: 477.399.167.E 477.399.168.E		2	
(6)	477 399 167 B	Suspender bracket	/L	1	
6	477 399 167 E	Suspender bracket Use also: 2X 477.399.153.J 1X 477.399.168.E	/L	1	
(6)	477 399 168 C	Suspender bracket	/R	1	
6	477 399 168 E	Suspender bracket Use also: 2X 477.399.153.J 1X 477.399.167.E	/R	1	
7	477 399 281	Stop plate		2	
8	N 010 254 6	Hexagon-head bolt M 10 X 25		2	
8	N 010 254 F	Hexagon-head bolt M 10 X 25		2	
9	N 010 240 7	Hexagon-head bolt M 8 X 20		2	
10	N 010 340 4	Hexagon-head bolt M 8 X 40		2	
11	N 012 009 3	Lock ring		4	
12	900 075 029 09	Hexagon-head bolt M 8 X 25		4	
12	900 075 029 03	Hexagon-head bolt M 8 X 25		4	
13	N 011 525 13	Washer		4	

Model: 924 76

Model life 1976>>1979



Model: 924 76 Model life 1976>>1979

Pos	Part Number	Description	Remark	Qty	Model
		Central tube			
		Automatic transmission			
1	477 521 109	Clutch housing		1	
2	477 521 603	Damper		1	
2A	477 521 617	Stop plate		1	
2B	999 095 019 00	Clamping pin		2	
		S 10 X 20			
2C	N 014 725 2	Pan-head screw		2	
		M 8 X 25			
2C	900 067 018 03	Pan-head screw		2	
		M 8 X 25			
3	477 521 247 E	Terminal		1	
4	477 521 501 A	Pan-head screw		2	
5	900 273 002 01	Circlip		1	
		17 X 1			
6	477 521 181 A	Spacer sleeve		1	
		1,00			
(6)	477 521 182 A	Spacer sleeve		X	
		2,00			
(6)	477 521 183 A	Spacer sleeve		X	
		3,00			
(6)	477 521 184 A	Spacer sleeve		X	
		4,00			
(6)	477 521 185 A	Spacer sleeve		X	
		5,00			
(6)	477 521 186 A	Spacer sleeve		X	
		6,00			
(6)	477 521 187 A	Spacer sleeve		X	
		7,00			
(6)	477 521 188 A	Spacer sleeve		X	
		8,00			
(6)	477 521 189 A	Spacer sleeve		X	
		9,00			
7	477 521 130 C	Central tube		1	
		Ready for installation			
		Use also:			
		477.521.277.C			
8	477 521 247 D	Terminal		1	
9	477 521 110 C	Converter mounting		1	
10	900 027 016 02	Lock ring		4	
10	900 027 016 03	Lock ring		4	
11	N 010 275 4	Hexagon-head bolt		4	
		M 10 X 35			
12	477 521 277 A	Cap		1	
(12)	477 521 277 C	Cap		X	
13	900 075 029 09	Hexagon-head bolt		4	
		M 8 X 25			
13	900 075 029 03	Hexagon-head bolt		4	
		M 8 X 25			
14	N 012 241 11	Spring washer		4	
		B 8 X 15			
15	N 010 185 3	Hexagon-head bolt		2	
		M 12 X 80			
16	N 040 240 2	Hexagon-head bolt		1	
		M 10 X 50			
17	N 012 690 1	Grooved pin		3	
		10 X 32			
18	477 521 213	Lid		1	
19	477 521 214	Gasket		1	
20	999 591 327 02	Speed nut		1	
		B 6,3 X 23			
20	999 501 327 01	Speed nut		1	
		B 6,3 X 23			

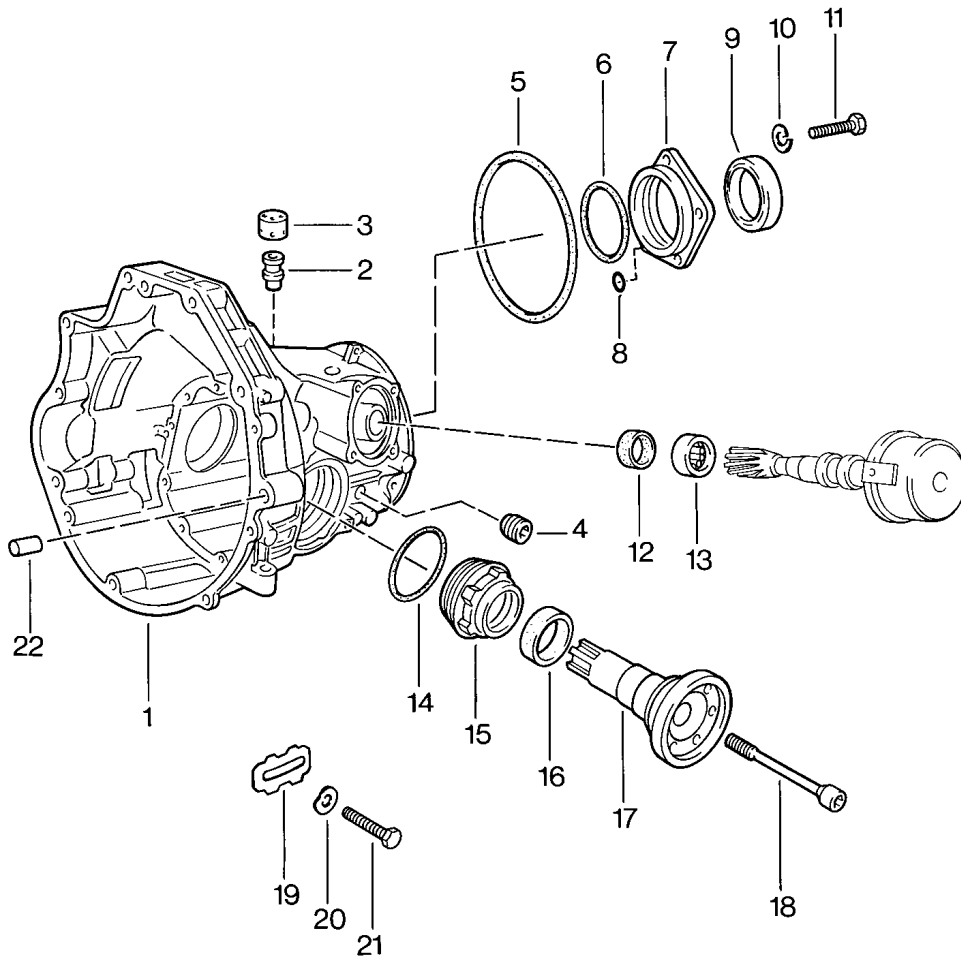
Model: 924 76

Model life 1976&gt;&gt;1979

Pos	Part Number	Description	Remark	Qty	Model
20	999 591 327 01	Speed nut B 6,3 X 23		1	
21	N 013 947 3	Oval-head sheetmetal screw 6,3 X 19 Crash protection for Transmission See group 3/01/00		1	

Model: 924 76

Model life 1976>>1979

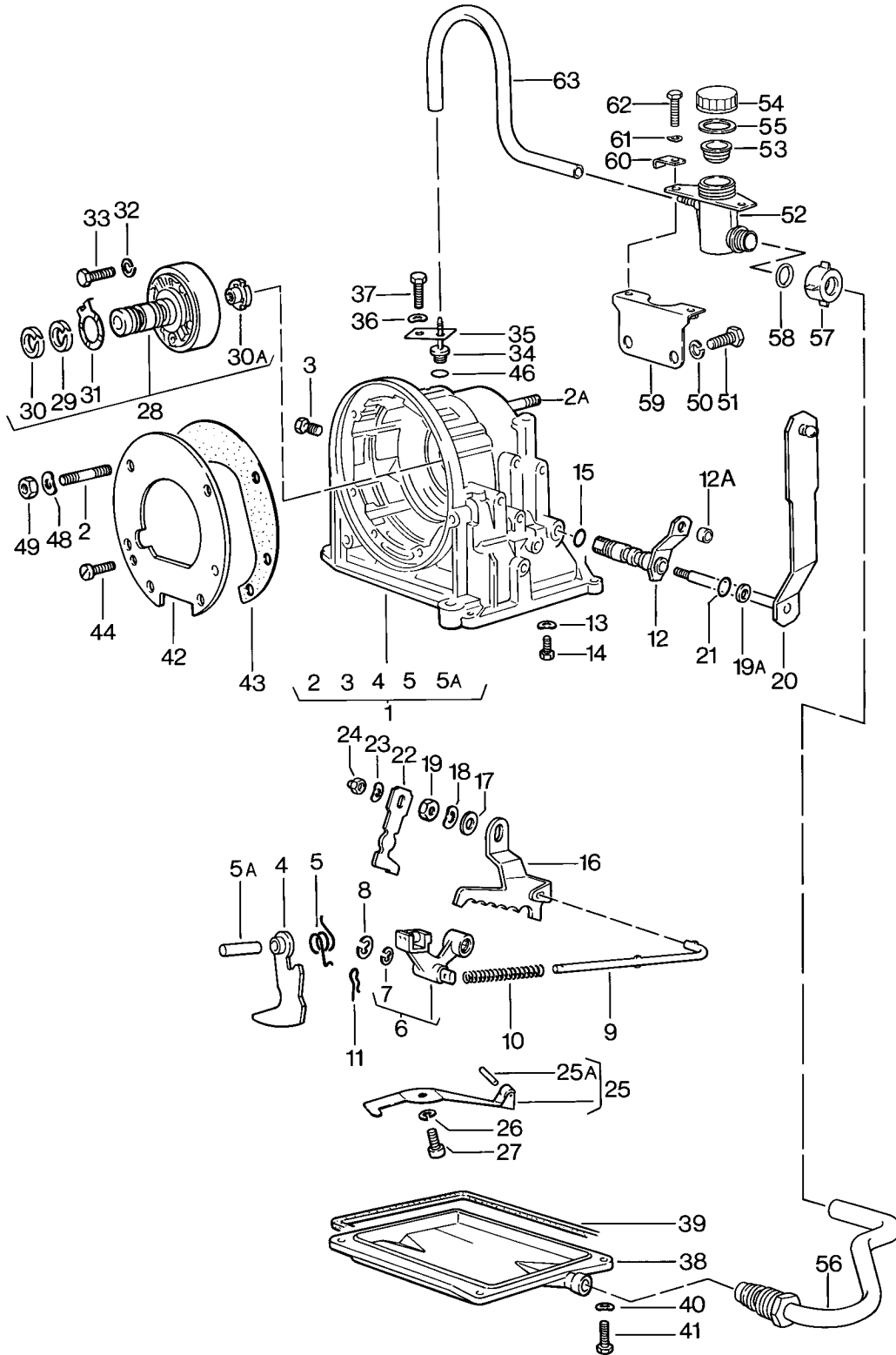


Model: 924 76 Model life 1976>>1979

Pos	Part Number	Description	Remark	Qty	Model
-	087 300 035 N	Replacement transmission Final-drive housing Automatic transmission Replacement transmission Ready for installation Use also: 911.423.147.00 477.713.265.C 477.609.715 N.015.526.2 N.011.005.4 N.011.665.5		1	RL
1	087 409 051 F	Final-drive housing G >> RL 15 06 7		1	
1	087 409 051 H	Final-drive housing G RL 16 06 7 >>		1	
2	010 409 847	Breather pipe		2	
2		Breather pipe		2	
3	087 409 841	Lid		2	
3		Lid		2	
4	111 301 127 E	Screw plug M 24 X 1,5		1	
4	WHT 001 937	Screw plug M 24 X 1,5		1	
5	010 409 549 B	Sealing ring		1	
6	087 409 549	Round seal		1	
7	087 409 623	Lid G >> RL 15 06 7		1	
(7)	087 409 623 A	Lid G RL 16 06 7 >>		1	
8	089 409 637 A	O-ring		1	
9	087 409 529 B	Radial shaft seal		2	
10	N 012 038 1	Lock ring		5	
(10)	N 012 028 1	Lock ring		5	
11	N 010 233 6	Hexagon-head bolt M 8 X 28		5	
11	900 075 136 03	Hexagon-head bolt M 8 X 28		5	
(11)	900 075 111 08	Hexagon-head bolt M 10 X 30		5	
12	087 409 133	Radial shaft seal		1	
13	082 409 139	Needle-roller bearing		1	
14	011 519 345	Round seal		2	
15	087 409 173	Adjusting ring		2	
16	016 409 399 B	Radial shaft seal		1	
17	087 409 355	Flanged shaft	/L	1	
(17)	087 409 356	Flanged shaft	/R	1	
18	087 409 359	Screw	/L	1	
(18)	087 409 360	Screw	/R	1	
19	010 409 257	Tab washer		2	
20	N 012 226 5	Spring washer		2	
21	N 010 215 13	Hexagon-head bolt M 6 X 15		2	
22	019 301 153	Dowel sleeve		2	

Model: 924 76

Model life 1976>>1979



Model: 924 76

Model life 1976&gt;&gt;1979

Pos	Part Number	Description	Remark	Qty	Model
1	010 321 101 G	Transmission case Automatic transmission Transmission case Use also: 010.323.389.E 010.323.383		1	
2	N 900 044 02	Stud AM 8A X 56		4	
2A	N 014 523 2	Stud AM 10A X 38		2	
3	003 507 133 A	Screw plug M 10 X 1		3	
4	010 321 117 B	Lever Parking lock		1	
5	010 321 121 A	Torsion spring		1	
5A	010 321 123	Bolt		1	
6	010 321 135 A	Engaging lever Parking lock		1	
7	900 116 003 02	Lock washer		1	
7	900 116 003 09	Lock washer		1	
8	N 012 438 1	Lock washer		1	
-	N 012 436 2	Lock washer		1	
9	010 321 155	Operating rod		1	
10	010 321 159	Compression spring		1	
11	010 321 161	Securing clip		1	
12	087 321 173 A	Lever for cable control		1	
12A	003 321 177	Bush		1	
13	N 012 226 5	Spring washer		1	
14	N 010 224 1	Hexagon-head bolt M 6 X 3,5		1	
15	N 028 201 2	O-ring		X	
16	010 321 191 A	Locking segment		1	
17	211 611 179	Stop washer		1	
18	N 012 238 5	Spring washer		1	
19	N 011 164 2	Hexagon nut		1	
19A	010 321 180	Support ring		1	
20	087 321 201	Lever for cable control		1	
21	010 321 182	O-ring		1	
22	010 321 215 C	Lever Regulating valve		1	
23	N 012 228 3	Spring washer		1	
24	N 011 008 8	Hexagon nut		1	
25	010 321 221	Leaf spring		1	
25A	N 013 325 1	Tensioning sleeve		1	
26	N 012 038 1	Lock ring		1	
27	N 010 239 11	Hexagon-head bolt M 8 X 18		1	
27	N 010 239 30	Hexagon-head bolt M 8 X 18		1	
28	010 321 241 F	Oil pump		1	
-	003 321 263	Gear set Oil pump		1	
29	003 321 261	Piston ring		2	
30	010 321 261	Piston ring		2	
-	010 321 279	Plate		1	
30A	003 321 273	Driver		1	
31	010 321 285	Thrust washer		1	
32	N 012 006 4	Lock ring		5	
33	N 010 347 3	Hexagon-head bolt M 6 X 35		5	
34	477 321 303 A	Lid		1	

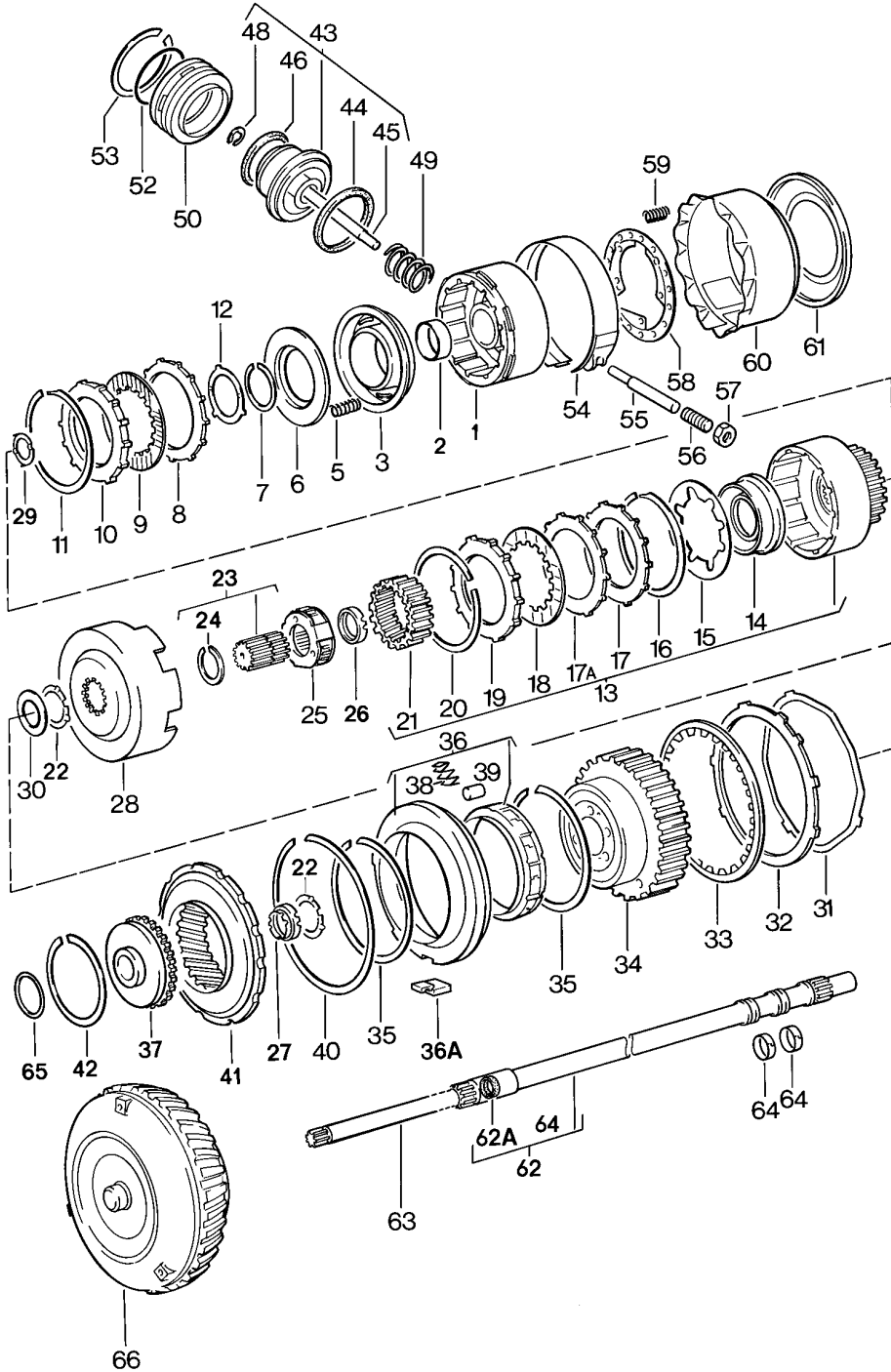


Model: 924 76 Model life 1976>>1979

Pos	Part Number	Description	Remark	Qty	Model
-	211 843 661	Washer		1	
35	011 321 307	Clip		1	
36	N 012 226 5	Spring washer		1	
37	999 072 005 09	Hexagon nut M 6 X 12		1	
37	999 072 005 01	Hexagon nut M 6 X 12		1	
38	010 321 359 F	Oil pan		1	
39	010 321 371 B	Gasket		1	
40	N 012 038 1	Lock ring		4	
41	N 010 240 16	Hexagon-head bolt M 8 X 20		4	
42	010 321 383 B	Intermediate plate		1	
43	010 321 385 B	Gasket		2	
44	900 014 004 02	Pan-head screw AM 5 X 15		1	
46	003 321 419	O-ring		1	
48	N 012 228 3	Spring washer		4	
49	N 011 008 8	Hexagon nut		4	
50	N 012 028 1	Lock ring		2	
51	N 010 253 7	Hexagon-head bolt M 10 X 22		2	
		Oil inlet ATF			
52	477 321 475	Filling container		1	
53	477 321 479 A	Strainer		1	
54	477 321 481	Screw-on cap		1	
55	477 321 483 A	Gasket		1	
56	477 321 405	Filler tube		1	
57	477 321 485	Union nut		1	
58	477 321 487	O-ring		2	
59	477 321 491	Support		1	
60	477 321 494	Packing plate		2	
61	N 012 226 5	Spring washer		2	
62	N 010 215 13	Hexagon-head bolt M 6 X 15		2	
63	477 321 495	Hose 340 MM Long		1	

Model: 924 76

Model life 1976>>1979



Model: 924 76

Model life 1976>>1979

Pos	Part Number	Description	Remark	Qty	Model
		Shift mechanism			
		Automatic transmission			
1	010 323 109 C	Clutch drum		1	
2	010 323 115	Bearing sleeve		1	
3	010 323 121 B	Piston		1	
5	010 323 129 A	Compression spring		24	
6	010 323 131 A	Concave washer		1	
7	003 323 135 A	Circlip		1	
8	010 323 139	Disc with external splines		4	
9	010 323 141 C	Disc with external splines		4	
10	010 323 153	Pressure plate		1	
11	010 323 157	Circlip		1	
		2,03			
11	010 323 157 A	Circlip		X	
		1,50			
11	010 323 157 B	Circlip		X	
		1,70			
11	010 323 157 H	Circlip		X	
		2,30			
11	010 323 157 J	Circlip		X	
		2,50			
12	010 323 161 A	Thrust washer		1	
		60			
12	PCG 323 161 A	Thrust washer		1	
		60			
13	010 323 205	Forward clutch		1	
14	010 323 217 A	Piston		1	
15	010 323 229 D	Cup spring		1	
		Forward clutch			
16	010 323 157	Circlip		1	
17	010 323 237 A	Pressure plate		1	
17A	010 323 139	Disc with external splines		3	
		Forward clutch			
18	010 323 241 B	Inner disc		4	
19	010 323 253 A	Pressure plate		1	
		6,40			
19	010 323 253 B	Pressure plate		X	
		6,80			
19	010 323 253 C	Pressure plate		X	
		7,20			
19	010 323 253 D	Pressure plate		X	
		7,60			
19	010 323 253 F	Pressure plate		X	
		6,00			
20	010 323 159 B	Lock ring		1	
21	010 323 273 B	Ring gear		1	
22	010 323 291	Thrust washer		1	
23	010 323 285 E	Sun gear		1	
24	N 042 451 1	Circlip		1	
25	010 323 303	Planet-gear carrier		1	
26	010 323 340 D	Needle-roller bearing		1	
27	010 323 339 D	Needle-roller bearing		1	
28	010 323 281	Driving shell		1	
29	003 323 165	Thrust washer		1	
		40			
30	010 323 293 B	Thrust washer		1	
31	010 323 295 C	Spring washer		1	
32	010 323 227 A	Disc with external splines		5	
33	010 323 231 C	Inner disc		5	
34	090 323 805	Planet-gear carrier		1	
35	010 323 651	Circlip		2	
(36)	010 323 383 B	Free wheel lock		1	
		Free wheel lock			

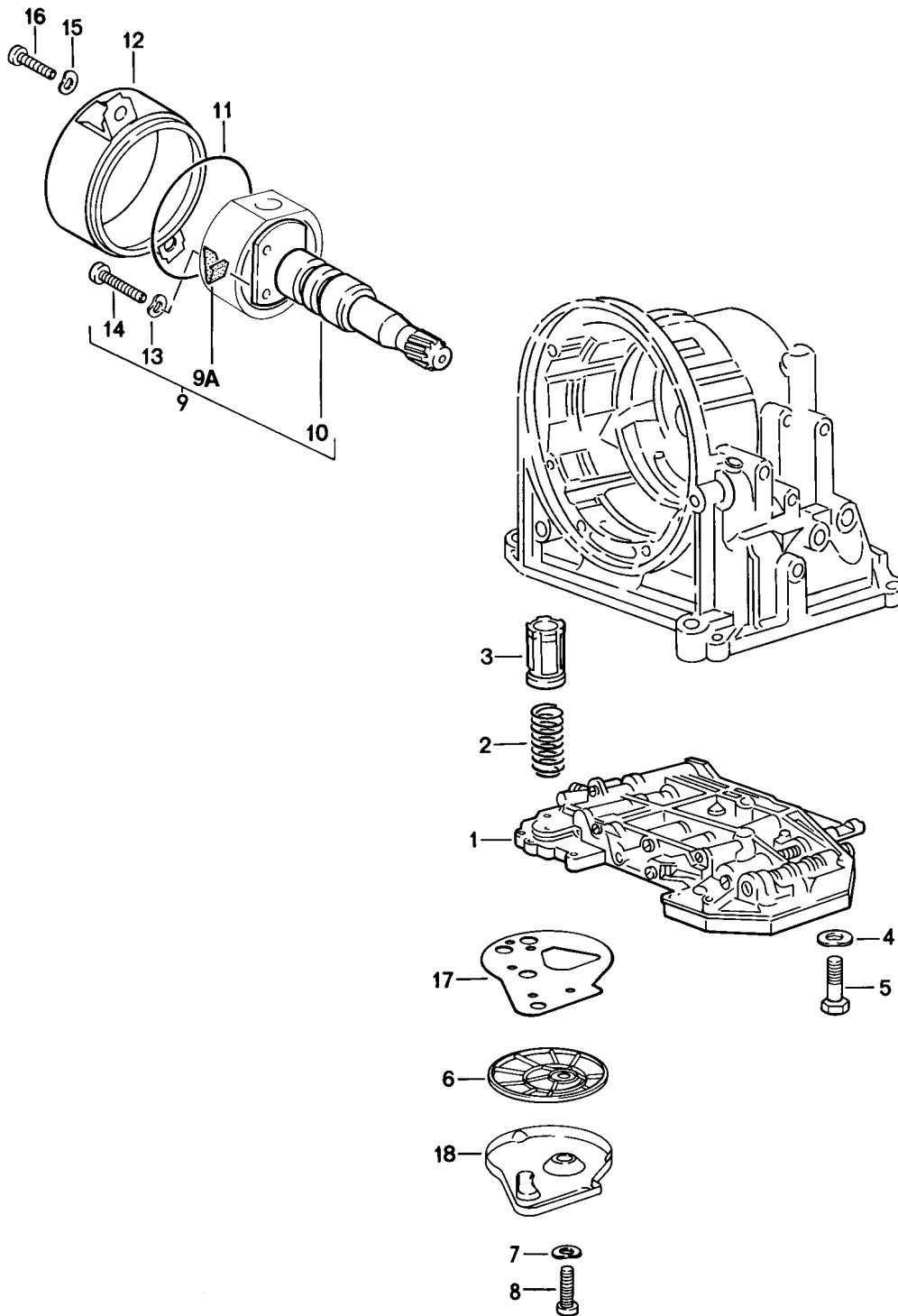
Model: 924 76

Model life 1976&gt;&gt;1979

Pos	Part Number	Description	Remark	Qty	Model
36	010 323 383 C	G >> RL 20 01 8 Free wheel lock 1st gear G RL 21 01 8 >>		1	
36A	010 323 389 E	Feather key		1	
37	087 323 373 A	Hub		1	
38	010 323 643	Compression spring		10	
39	N 026 360 1	Roller		10	
40	010 323 653 A	Circlip		1	
41	090 323 363 A	Ring gear		1	
42	090 323 369	Circlip		1	
43	010 323 511 K	Piston		1	
44	003 323 525 A	Sealing ring		1	
45	010 323 517 D	Piston rod		1	
46	010 323 487 C	Sealing ring		1	
48	010 323 541 B	Lock washer		1	
49	010 323 505 A	Compression spring		1	
50	087 323 529	Lid		1	
52	010 323 533	Round seal		3	
53	010 323 537 A	Circlip		1	
54	010 323 461 A	Brake band		1	
55	010 323 543 A	Bolt		1	
56	010 323 455 A	Adjusting screw		1	
57	N 011 162 9	Hexagon nut M 12 X 1,5		1	
58	010 323 497 C	Supporting plate		1	
59	010 323 489 B	Compression spring		20	
60	010 323 493 D	Pipe		1	
61	010 323 479 A	Piston		1	
62	087 323 553 A	Turbine shaft		1	
62A	087 323 559	Sealing ring		1	
63	010 323 561 A	Oil pump shaft		1	
64	010 323 557 A	Piston ring		2	
65	010 323 345 C	Adjusting shim 0,40		1	
65	010 323 346 C	Adjusting shim 1,20		X	
(66)	003 323 571 J	Converter		1	RL

Model: 924 76

Model life 1976>>1979



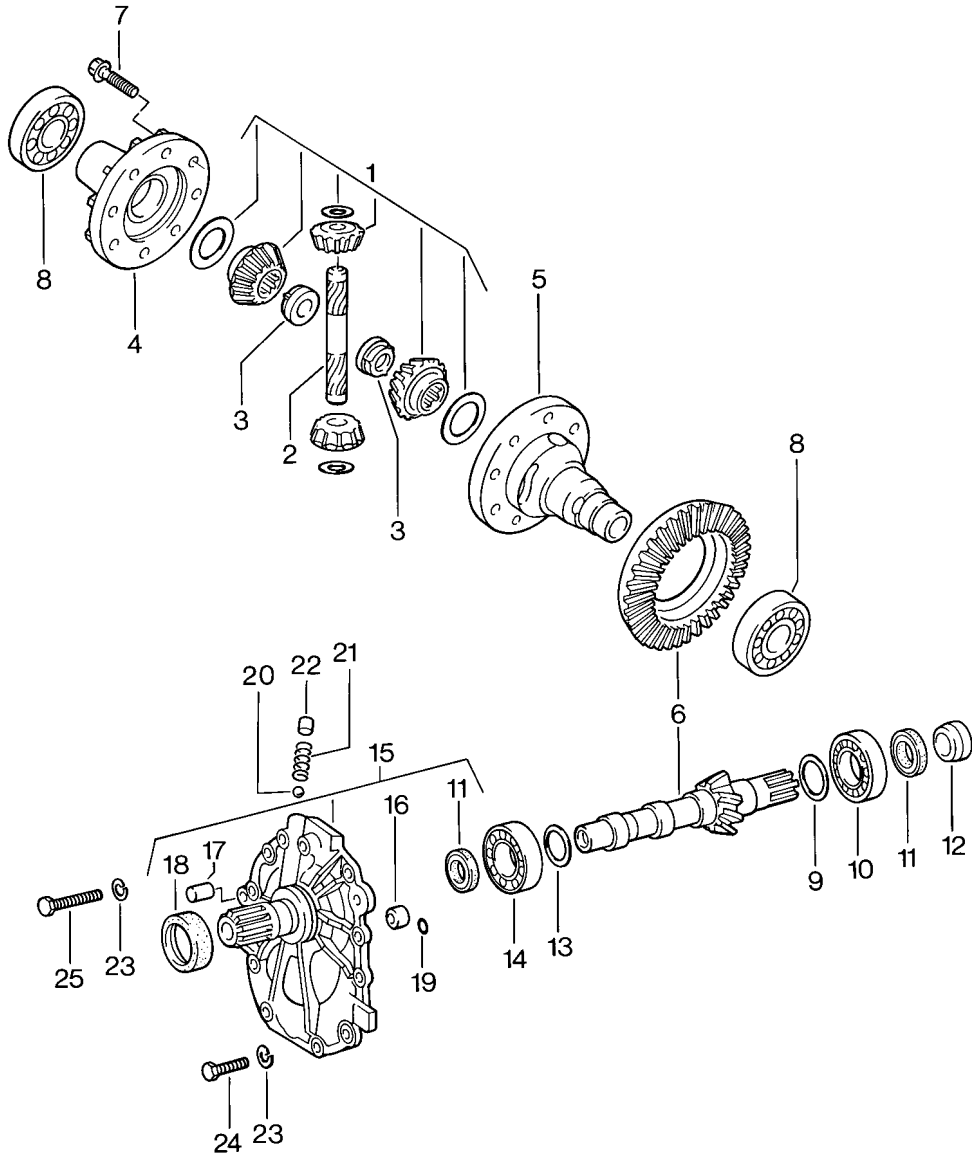
Model: 924 76

Model life 1976>>1979

Pos	Part Number	Description	Remark	Qty	Model
		Slide-valve gearbox			
		Oil strainer			
		Regulator			
		Automatic transmission			
1	087 325 032 J	Slide-valve gearbox		1	RL
2	003 325 417	Compression spring		1	
3	003 325 405 F	Piston		1	
4	N 012 226 5	Spring washer		11	
5	N 010 346 5	Hexagon-head bolt		11	
		M 6 X 30			
6	010 325 421 A	Oil strainer		1	
7	N 012 222 4	Spring washer		2	
8	900 014 004 02	Pan-head screw		2	
		AM 5 X 15			
9	087 325 041	Regulator		1	
9A	010 325 329	Strainer		1	
10	087 325 305	Governor shaft		1	
11	011 519 345	Round seal		1	
12	089 325 371	Lid		1	
13	N 012 222 4	Spring washer		2	
14	N 014 153 1	Oval-head screw		2	
		M 5 X 40			
15	N 012 228 3	Spring washer		2	
16	N 010 240 16	Hexagon-head bolt		2	
		8 X 20			
17	010 325 443	Gasket		1	
18	010 325 429 A	Lid		1	

Model: 924 76

Model life 1976>>1979



Model: 924 76 Model life 1976>>1979

Pos	Part Number	Description	Remark	Qty	Model
1	090 598 081	Differential Automatic transmission Repair kit for Differential		1	
2	087 409 177	Axle		1	
3	016 409 161	Lock nut		2	
4	087 409 365	Lid		1	
5	087 409 121	Differential housing		1	
(6)	087 409 143 F	Ring gear and pinion shaft 11:41		1	RL
7	087 409 135 A	Hexagon-head bolt M 10 X 1 X 24		10	
8	113 517 185 C	Taper roller bearing		2	
8	113 517 185 B	Taper roller bearing		2	
9	087 409 641 D	Adjusting shim 1,10		1	
9	087 409 641 E	Adjusting shim 1,125		X	
9	087 409 641 F	Adjusting shim 1,15		X	
9	087 409 641 G	Adjusting shim 1,175		X	
9	087 409 641 H	Adjusting shim 1,20		X	
9	087 409 641 J	Adjusting shim 1,225		X	
9	087 409 641 K	Adjusting shim 1,25		X	
9	087 409 641 L	Adjusting shim 1,275		X	
9	087 409 641 M	Adjusting shim 1,30		X	
9	087 409 641 N	Adjusting shim 1,325		X	
9	087 409 641 P	Adjusting shim 1,35		X	
9	087 409 641 Q	Adjusting shim 1,375		X	
9	087 409 641 R	Adjusting shim 1,40		X	
9	087 409 641 S	Adjusting shim 1,425		X	
9	087 409 641 T	Adjusting shim 1,45		X	
9	087 409 641 AA	Adjusting shim 1,475		X	
9	087 409 641 AB	Adjusting shim 1,50		X	
9	087 409 641 AC	Adjusting shim 1,525		X	
9	087 409 641 AD	Adjusting shim 1,55		X	
9	087 409 641 AE	Adjusting shim 1,575		X	
9	087 409 641 AF	Adjusting shim 1,60		X	
9	087 409 641 AG	Adjusting shim 1,625		X	
9	087 409 641 AH	Adjusting shim 1,65		X	
9	087 409 641 AJ	Adjusting shim 1,675		X	



Model: 924 76

Model life 1976&gt;&gt;1979

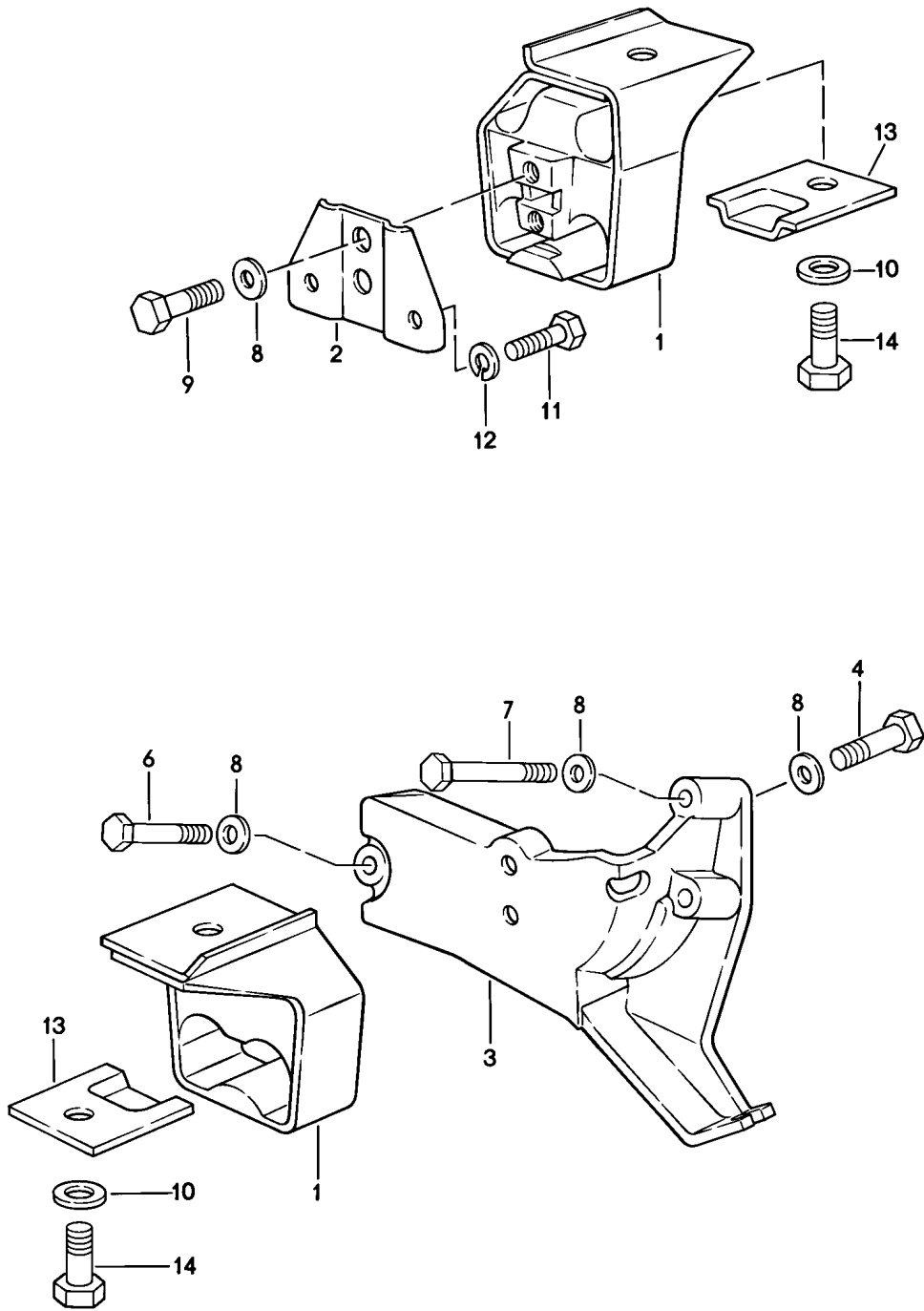
Pos	Part Number	Description	Remark	Qty	Model
9	087 409 641 AK	Adjusting shim 1,70		X	
9	087 409 641 AL	Adjusting shim 1,725		X	
9	087 409 641 AM	Adjusting shim 1,75		X	
9	087 409 641 AN	Adjusting shim 1,775		X	
9	087 409 641 AP	Adjusting shim 1,80		X	
9	087 409 641 AQ	Adjusting shim 1,828		X	
9	087 409 641 AR	Adjusting shim 1,85		X	
9	087 409 641 AS	Adjusting shim 1,875		X	
9	087 409 641 AT	Adjusting shim 1,90		X	
10	087 409 551 C	Taper roller bearing		1	
11	087 409 085 B	Radial shaft seal		2	
12	087 409 639 A	Bush		1	
13	082 519 141 AE	Adjusting shim 1,10		1	
13	082 519 141 AF	Adjusting shim 1,125		X	
13	082 519 141 AG	Adjusting shim 1,15		X	
13	082 519 141 AH	Adjusting shim 1,175		X	
13	082 519 141 AJ	Adjusting shim 1,20		X	
13	082 519 141 AK	Adjusting shim 1,225		X	
13	082 519 141 AL	Adjusting shim 1,25		X	
13	082 519 141 AM	Adjusting shim 1,275		X	
13	082 519 141 AN	Adjusting shim 1,30		X	
13	082 519 141 AP	Adjusting shim 1.325		X	
13	082 519 141 AQ	Adjusting shim 1,35		X	
13	082 519 141 AR	Adjusting shim 1,375		X	
13	082 519 141 AS	Adjusting shim 1,40		X	
13	082 519 141 AT	Adjusting shim 1,425		X	
13	082 519 141 BA	Adjusting shim 1,45		X	
13	082 519 141 BB	Adjusting shim 1.475		X	
13	082 519 141 BC	Adjusting shim 1,50		X	
13	082 519 141 BD	Adjusting shim 1.525		X	
13	082 519 141 BE	Adjusting shim 1,55		X	
13	082 519 141 BF	Adjusting shim 1,575		X	
13	082 519 141 BG	Adjusting shim 1,60		X	

Model: 924 76 Model life 1976>>1979

Pos	Part Number	Description	Remark	Qty	Model
13	082 519 141 BH	Adjusting shim 1,625		X	
13	082 519 141 BJ	Adjusting shim 1,65		X	
13	082 519 141 BK	Adjusting shim 1,675		X	
13	082 519 141 BL	Adjusting shim 1,70		X	
13	082 519 141 BM	Adjusting shim 1,725		X	
13	082 519 141 BN	Adjusting shim 1,75		X	
13	082 519 141 BP	Adjusting shim 1,775		X	
13	082 519 141 BQ	Adjusting shim 1,80		X	
13	082 519 141 BR	Adjusting shim 1,825		X	
13	082 519 141 BS	Adjusting shim 1,85		X	
13	082 519 141 BT	Adjusting shim 1,875		X	
13	082 519 141 CA	Adjusting shim 1,90		X	
14	003 519 251	Taper roller bearing		1	
15	087 409 523 B	Lid		1	
16	019 301 153	Dowel sleeve		1	
17	N 022 301 1	Straight pin A 10 X 20		1	
18	010 409 568	Radial shaft seal		1	
19	089 409 637 A	O-ring		2	
20	N 025 657 1	Ball		1	
21	089 409 713	Compression spring		1	
22	087 409 095	Lid		2	
23	N 012 038 1	Lock ring		11	
24	N 010 233 6	Hexagon-head bolt M 8 X 28		9	
24	900 075 136 03	Hexagon-head bolt M 8 X 28		9	
25	N 040 276 1	Hexagon-head bolt M 8 X 52		2	

Model: 924 76

Model life 1976>>1979



Model: 924 76 Model life 1976>>1979

Pos	Part Number	Description	Remark	Qty	Model
1	477 399 153 J	Transmission suspension Automatic transmission Transmission mounting Only by sets Use also: 477.399.169.C 477.399.171.D		2	
(2)	477 399 169 A	Suspension plate	/R -78	1	
2	477 399 169 C	Suspension plate	/R 79-	1	
(3)	477 399 171 C	Suspender bracket	/L	1	
3	477 399 171 E	Suspender bracket	/L	1	
4	900 075 111 08	Hexagon-head bolt M 10 X 30		1	
-	N 012 230 6	Spring washer		1	
6	N 040 262 2	Hexagon-head bolt M 8 X 50		2	
7	N 010 385 3	Hexagon-head bolt M 8 X 85		1	
8	N 011 525 13	Washer		3	
9	N 010 254 6	Hexagon-head bolt M 10 X 25		1	
9	N 010 254 F	Hexagon-head bolt M 10 X 25		1	
10	900 025 008 09	Washer		1	
10	900 025 008 04	Washer		1	
11	N 010 240 7	Hexagon-head bolt M 8 X 20		2	
12	N 012 009 3	Lock ring		2	
13	477 399 281	Stop plate		2	
14	N 010 254 6	Hexagon-head bolt M 10 X 25		2	
14	N 010 254 F	Hexagon-head bolt M 10 X 25		2	
-	900 027 016 02	Lock ring		2	
-	900 027 016 03	Lock ring		2	

Model: 924 76

Model life 1976>>1979



Model: 924 76 Model life 1976>>1979

Pos	Part Number	Description	Remark	Qty	Model
>>	088 398 001 A	Repair kits Gasket set for 4-speed Transmission Comprising:		1	YR XT
-	088 301 699 A	O-ring		1	
-	928 303 120 01	Shaft sealing ring		1	
-	016 409 399 B	Radial shaft seal		2	
-	113 301 185 A	O-ring		1	
-	088 301 185	Sealing ring		1	
-	088 311 599	Sealing ring		2	
-	999 113 275 40	Shaft sealing ring		1	
>>	477 300 911	Gasket set for 5-speed Transmission Comprising:		1	VA VB
-	999 113 183 40	Radial shaft seal		2	
-	477 301 191 A	Gasket		1	
-	001 301 227	Radial shaft seal		1	
-	014 311 113 B	Radial shaft seal		1	
-	999 701 392 40	O-ring		1	
>>	087 398 001	Gasket set for Automatic transmission Comprising:		1	RK RL
-	010 321 182	O-ring		1	
-	010 321 371 B	Gasket		1	
-	010 321 385 B	Gasket		1	
-	003 321 419	O-ring		2	
-	010 323 117	Sealing ring		1	
-	010 323 119	Sealing ring		1	
-	010 323 487 C	Sealing ring		1	
-	003 323 525 A	Sealing ring		1	
-	010 323 533	Round seal		3	
-	087 409 085 B	Radial shaft seal		2	
-	087 409 133 A	Sealing ring		1	
-	016 409 399 B	Radial shaft seal		2	
-	087 409 529 B	Radial shaft seal		2	
-	010 409 549 B	Sealing ring		1	
-	087 409 549	Round seal		1	
-	010 409 568	Radial shaft seal		1	
-	089 409 637 A	O-ring		1	
-	011 519 345	Round seal		3	
-	N 028 201 2	O-ring		1	
>>	090 598 081	Repair kit Differential Automatic And 4-speed Comprising:		1	YR XT RK RL
		Differential pinions Large		2	
		Differential pinions Small		2	
-	011 519 215	Thrust washer for Differential pinions Large		2	
-	016 409 170	Thrust washer for Differential pinions		2	

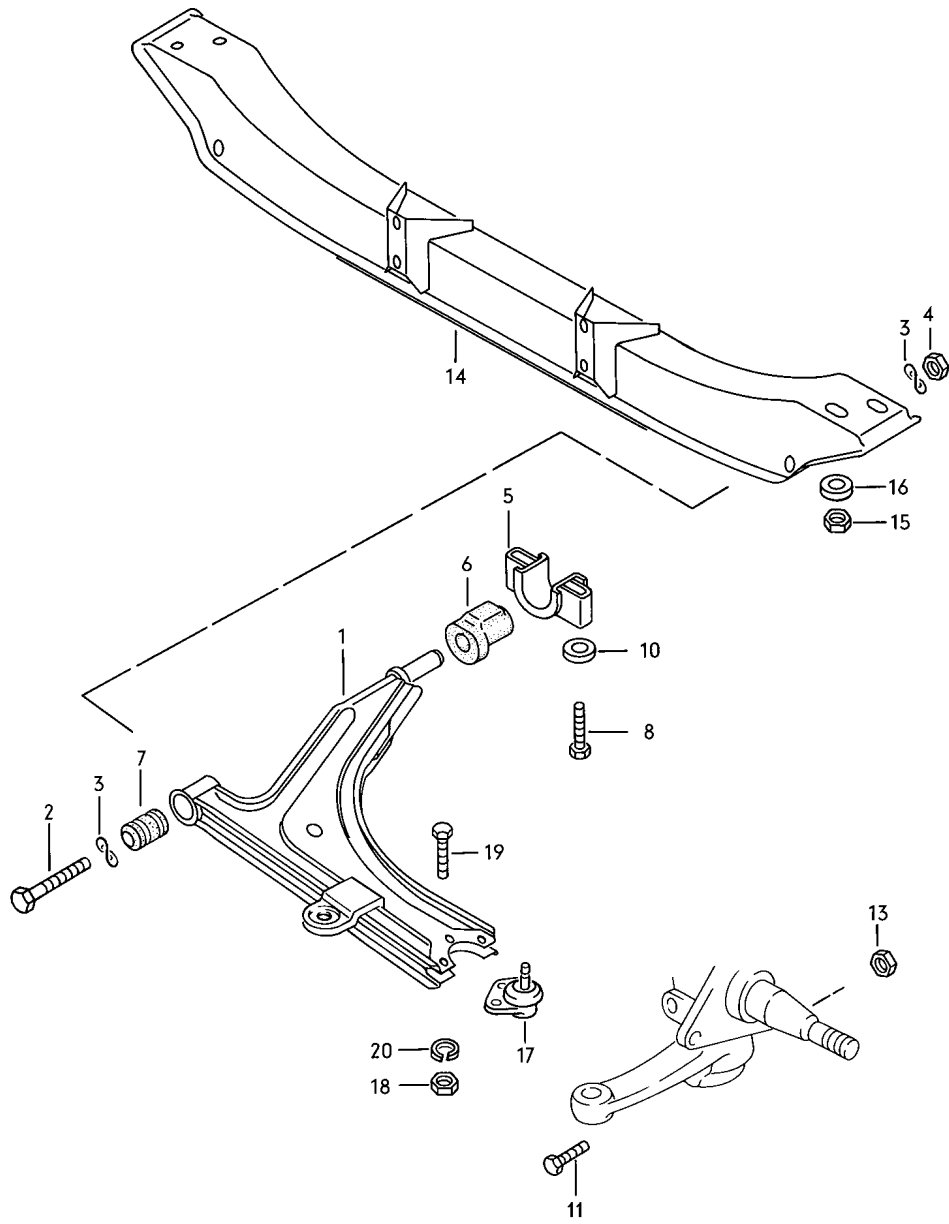
Model: 924 76

Model life 1976>>1979

Pos	Part Number	Description	Remark	Qty	Model
		Small Use also: 088.409.249 A 088.409.249 B			

Model: 924 76

Model life 1976>>1979



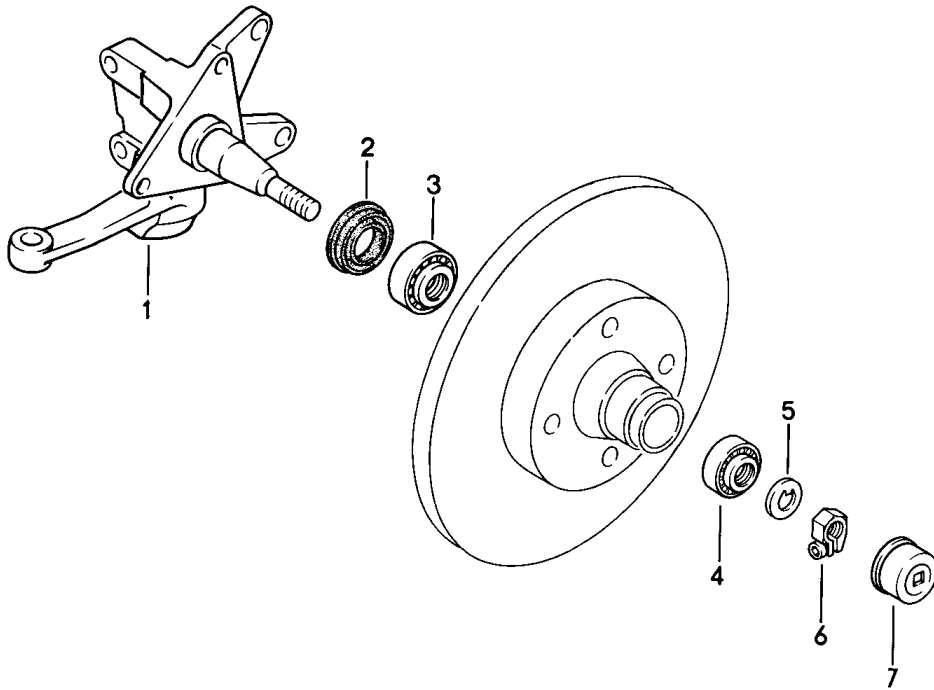


Model: 924 76 Model life 1976>>1979

Pos	Part Number	Description	Remark	Qty	Model
		Wishbone			
		Cross member			
1	477 407 153 F	Wishbone		2	
2	N 010 186 2	Hexagon-head bolt		2	
		M 12 X 1,5 X 85			
3	900 028 014 02	Washer		4	
3	900 028 014 03	Washer		4	
4	N 022 141 4	Lock nut		2	
		M 12 X 1,5			
5	477 407 169	Clip		2	
6	171 407 181 A	Rubber mounting	-78	2	
(6)	477 407 181 A	Rubber mounting	79-	2	
(6)	477 407 181 B	Rubber mounting	79-	2	
7	171 407 182 D	Rubber mounting		2	
		Inner			
8	N 040 321 1	Hexagon-head bolt		4	
		M 10 X 65			
10	477 407 425	Washer		4	
11	N 010 445 6	Hexagon-head bolt		2	
		M 10 X 45			
11	900 074 372 02	Hexagon-head bolt		2	
		M 10 X 45			
13	N 021 130 2	Lock nut		2	
13	N 022 149 2	Lock nut		2	
14	477 407 321 J	Cross member	-78	1	
(14)	477 407 321 G	Cross member	79-	1	
15	N 011 185 6	Hexagon nut		4	
16	N 015 402 1	Washer		4	
17	171 407 365 C	Ball joint	-77	2	
		15 MM \$			
(17)	171 407 365 G	Ball joint	78-	2	
		17 MM \$			
18	N 011 007 7	Hexagon nut		6	
19	N 040 204 3	Hexagon-head bolt		6	
		M 7 X 20			
20	N 042 001 1	Lock ring		6	

Model: 924 76

Model life 1976>>1979



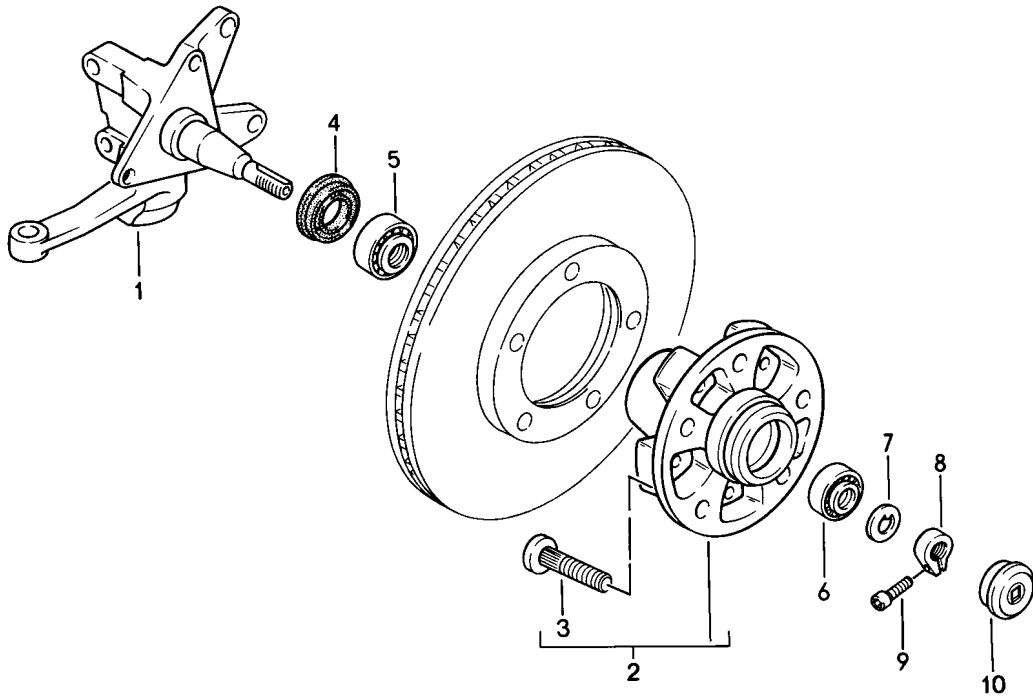
Model: 924 76

Model life 1976>>1979

Pos	Part Number	Description	Remark	Qty	Model
-	PCG 043 110 00	Steering knuckle Lubricants Grease Bearing 200 GR.		1	924
1	477 407 311 G	Steering knuckle	/L -78	1	
(1)	477 407 312 G	Steering knuckle Use also: 171.407.365.G	/R -78 -77	1	
(1)	477 407 311 K	Steering knuckle	/L 79-	1	
(1)	477 407 312 K	Steering knuckle	/R 79-	1	
2	311 405 641 B	Sealing ring		2	
3	311 405 625 D	Taper roller bearing		2	
4	311 405 645	Taper roller bearing		2	
5	311 405 661	Thrust washer		2	
6	131 405 670	Clamping nut		2	
7	477 405 691	Cap	/L	1	
(7)	477 405 692	Cap	/R	1	

Model: 924 76

Model life 1976>>1979



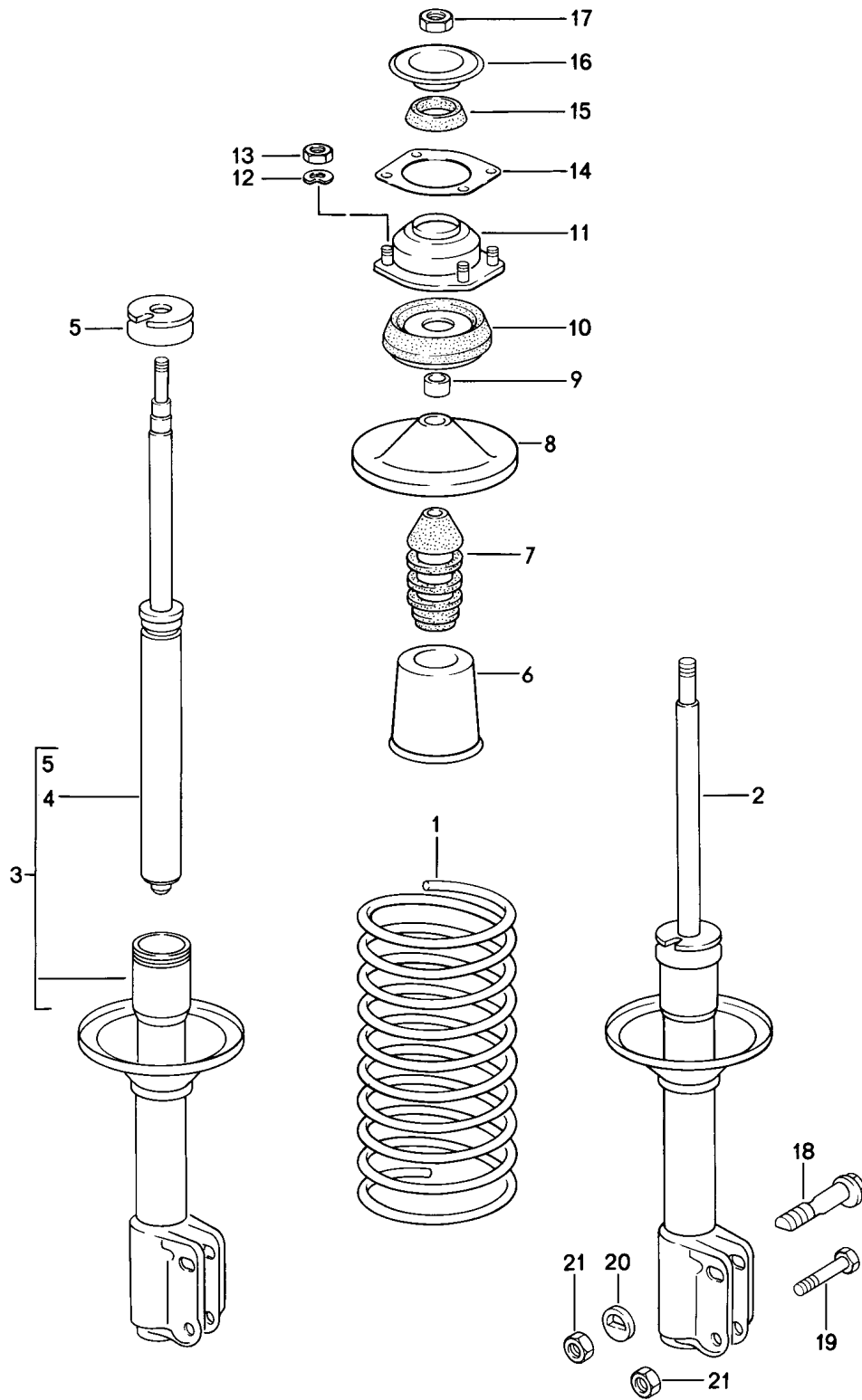
Model: 924 76

Model life 1976>>1979

Pos	Part Number	Description	Remark	Qty	Model
		Steering knuckle			924 M471
-	PCG 043 110 00	Lubricants Grease Bearing 200 GR.		1	
1	477 407 311 L	Steering knuckle	/L	1	
(1)	477 407 312 L	Steering knuckle	/R	1	
2	477 405 065 B	Front wheel hub		2	
3	904 341 671 00	Wheel bolt		10	
3	993 331 671 02	Wheel bolt		10	
4	477 405 641	Radial sealing ring		2	
5	999 059 098 00	Taper roller bearing		2	
6	999 059 065 00	Taper roller bearing		2	
7	911 341 663 00	Thrust washer		2	
8	911 341 673 00	Clamping nut		2	
9	999 119 001 01	Pan-head screw		2	
9	999 119 001 0B	Pan-head screw		2	
10	477 405 691 C	Cap	/L	1	
10	477 405 691 D	Cap	/L	1	
(10)	477 405 692 C	Cap	/R	1	

Model: 924 76

Model life 1976>>1979

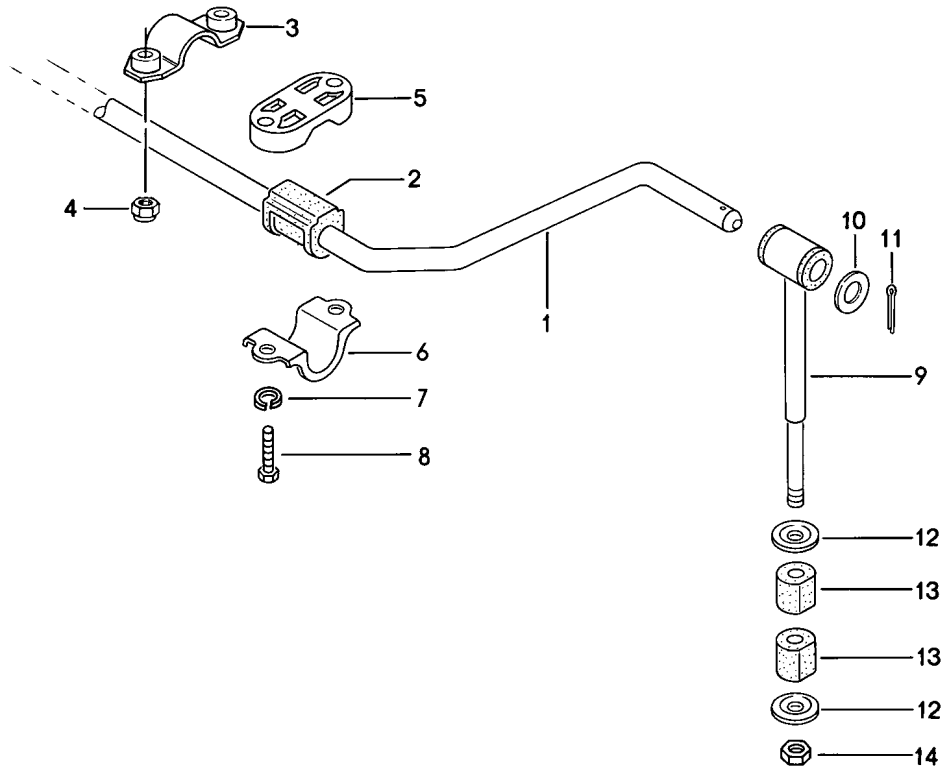


Model: 924 76 Model life 1976>>1979

Pos	Part Number	Description	Remark	Qty	Model
1	477 411 105 G	suspension Shock absorber Front Coil spring 1 set Identification		2	924
1	477 411 105 G 954 477 411 105 R	Red Coil spring 1 set Identification		1	924
(1)	477 411 105 R 954 477 411 105 M	Red Coil spring 1 set Identification		2	M404/471
2	477 411 105 M 954	Green			
2	944 343 031 14	Vibration damper	/L	1	924
(2)	944 343 032 14	Vibration damper	/R	1	924
3	944 343 031 13	Vibration damper - koni -	/L	1	924
3	944 343 032 13	Vibration damper - koni -	/R	1	924
4	477 412 059 A	Insert - koni -		2	924
5	171 412 045	Union nut		2	
6	171 412 135	Boot		2	
7	171 412 303 C	Rubber stop		2	
8	133 412 341	Concave washer		2	
9	823 412 365	Spacer sleeve		2	
10	944 343 071 00	Suspension strut mounting		2	
10	944 343 071 01	Suspension strut mounting		2	
11	477 412 345	Bearing flange		2	
12	N 012 228 3	Spring washer		8	
13	N 011 008 8	Hexagon nut		8	
(14)	133 412 367	Sealing ring		2	
15	477 412 411	Stop ring		2	
16	477 412 147	Stop		2	
16	477 412 147 A	Stop		2	
17	N 022 150 1	Lock nut VM 14 X 1,5		2	
18	171 407 265	Eccentric screw		2	
19	900 082 058 02	Hexagon-head bolt M 12 X 1,5 X 50		2	
19		Hexagon-head bolt M 12 X 1,5 X 50		2	
20	944 343 175 00	Eccentric washer		2	
21	N 022 141 4	Lock nut VM 12 X 1,5		4	

Model: 924 76

Model life 1976>>1979



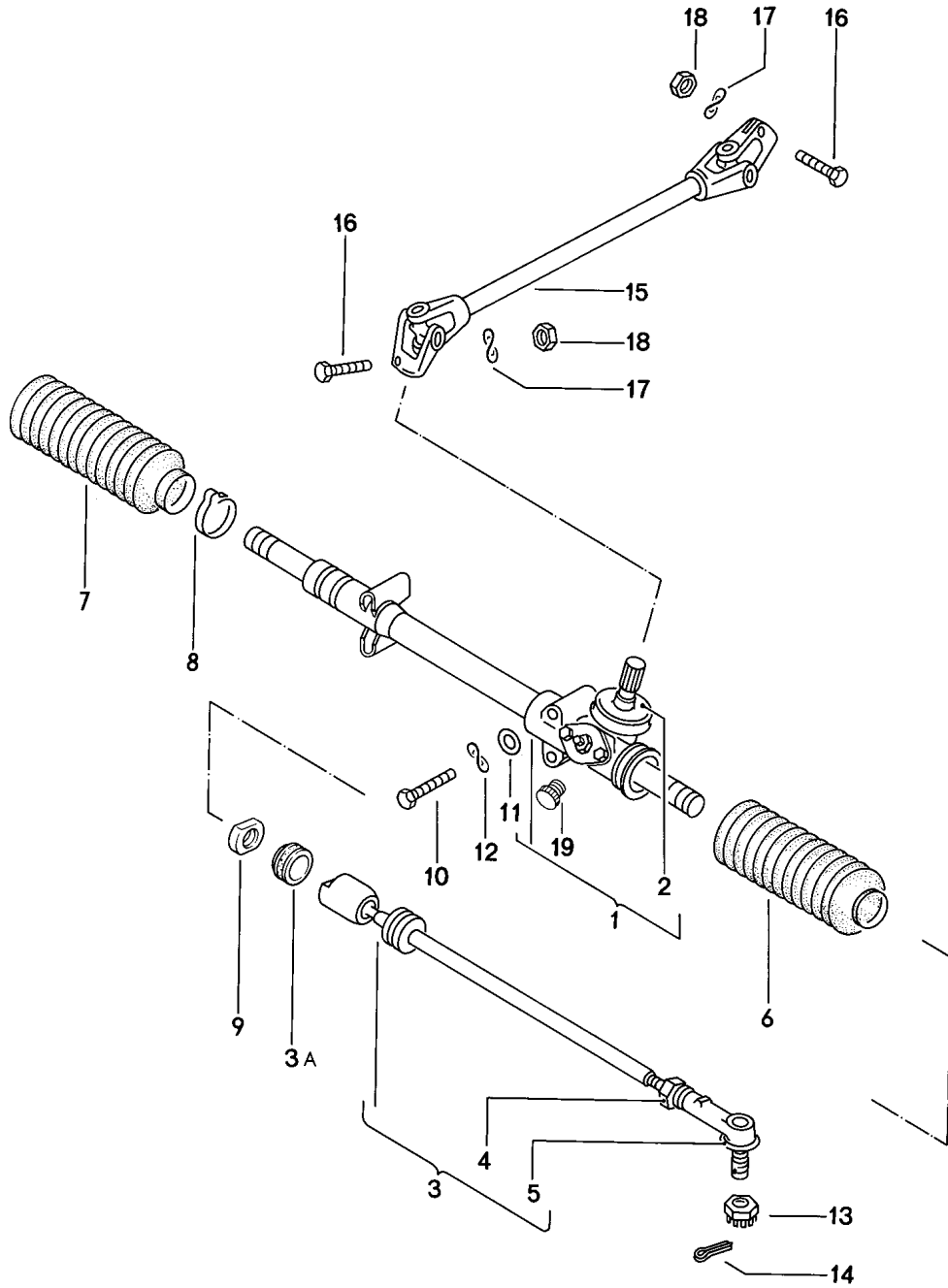


Model: 924 76 Model life 1976>>1979

Pos	Part Number	Description	Remark	Qty	Model
1	477 411 309 F	Stabiliser Stabiliser 20 \$	-77	1	
1	477 411 309 G	Stabiliser 22 \$	78	1	
1	477 411 309 L	Stabiliser 23 \$	79-	1	
2	477 411 313 C	Stabiliser mounting 20 \$	-77	2	
2	477 411 313 E	Stabiliser mounting 22 \$	78	2	
2	477 411 313 H	Stabiliser mounting 23 \$	79-	2	
3	477 411 023	Intermediate piece	79-	2	
4	900 910 022 09	Lock nut M 8	79-	4	
4	900 910 022 03	Lock nut M 8	79-	4	
5	477 411 321 C	Intermediate piece	-78	2	
6	133 411 333	Clip	-78	2	
6	477 411 319	Clip	79-	2	
7	900 027 015 02	Lock ring B 8		4	
7	900 027 015 03	Lock ring B 8		4	
8	N 010 340 4	Hexagon-head bolt M 8 X 40	-78	4	
9	477 411 057 F	Push rod 20 \$	-77	2	
9	477 411 057 G	Push rod 22 \$	78	2	
9	477 411 057 K	Push rod 23 \$	79-	2	
9	477 411 057 P	Push rod 23 \$	79-	2	
10	477 411 317 B	Washer 23 \$	79-	2	
11	N 012 536 1	Cotter pin 4 X 30	79-	2	
12	477 411 043	Concave washer for Stabiliser mounting		4	
13	477 411 041 B	Rubber mounting		4	
14	N 011 185 6	Hexagon nut M 10		2	

Model: 924 76

Model life 1976>>1979

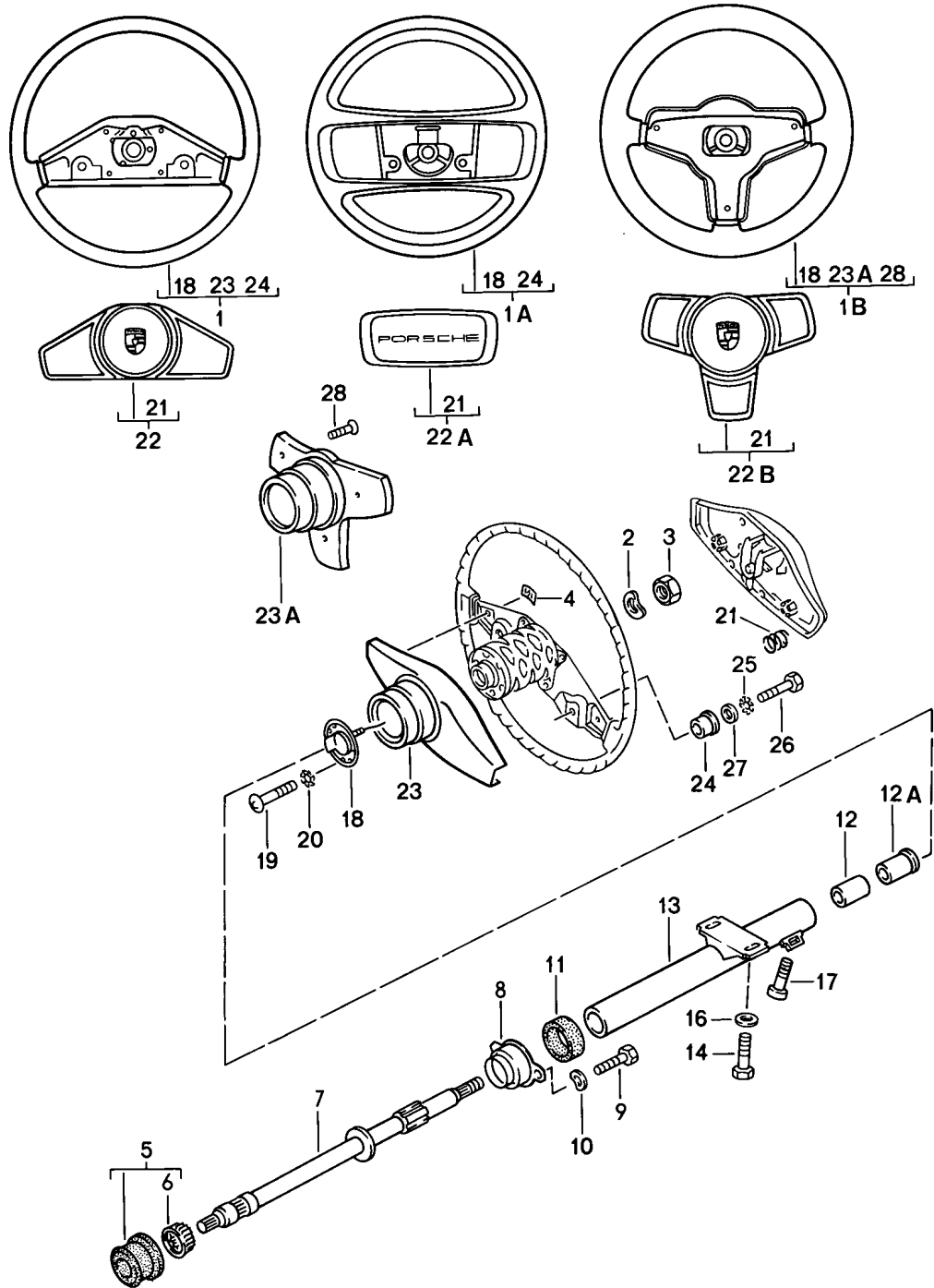


Model: 924 76 Model life 1976>>1979

Pos	Part Number	Description	Remark	Qty	Model
		Steering gear			
		Tie rod			
1	477 419 061 C	Steering gear	/LL	1	
2	477 419 321	Protection cap		1	
3	477 419 803 B	Tie rod		2	
		Use also:			
(3)	944 347 033 01	Tie rod		2	
		See technical information			
		NR. 22			
(3)	944 347 033 07	Tie rod		2	
		See technical information			
		NR. 22			
3A	477 419 827	Stop ring		2	
4	900 078 005 01	Hexagon nut		2	
		M 14 X 1,5			
5	477 419 815	Ball joint		2	
6	171 419 831 C	Boot	/L	1	
6	PCG 419 831 C	Bellows	/L	1	
7	171 419 832 C	Bellows	/R	1	
8	823 419 843	Terminal		1	
9	171 419 855	Nut		2	
10	N 010 248 1	Hexagon-head bolt		4	
		M 8 X 60			
11	N 011 525 13	Washer		2	
12	N 012 228 3	Spring washer		4	
13	N 011 212 2	Castle nut		2	
		M 12 X 1,5			
14	N 012 532 1	Cotter pin		2	
15	477 419 951 F	Drive shaft	/LL	1	
16	N 010 359 4	Hexagon-head bolt		2	
		M 8 X 38			
17	N 012 241 11	Spring washer		2	
		B 8 X 18			
18	900 910 022 09	Lock nut		2	
18	900 910 022 03	Lock nut		2	
19	477 419 115	Stopper		1	

Model: 924 76

Model life 1976>>1979

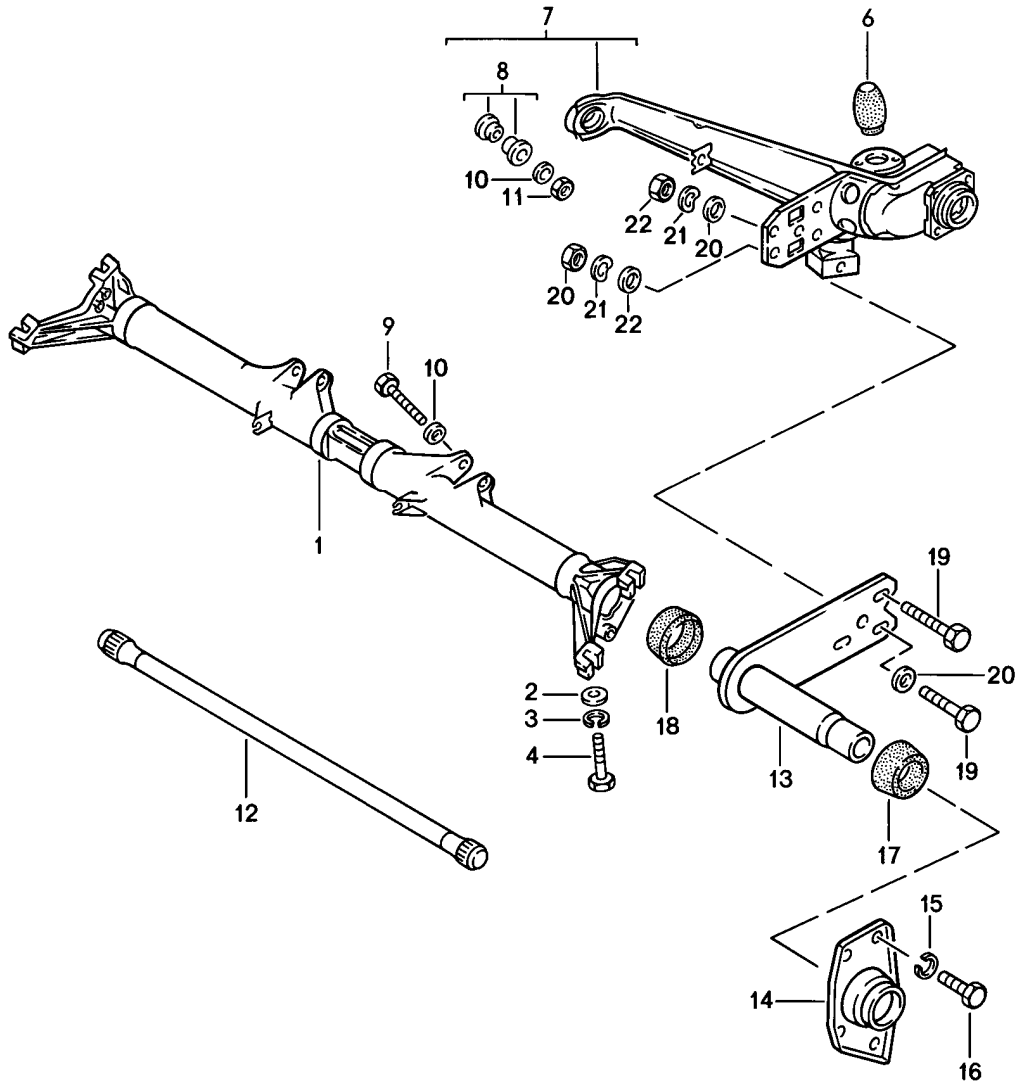


Model: 924 76 Model life 1976>>1979

Pos	Part Number	Description	Remark	Qty	Model
1	477 419 091 M	Steering wheel		1	924
1A	477 419 091 G	Steering column		1	
		Steering wheel		1	
		Sports steering wheel		1	
		361 MM \$			
(1B)	477 419 091 L	Sports steering wheel		1	
		Leather			
		380 MM \$			
		with elevated hub			
	477 419 091 L 1AJ	Black			
	477 419 091 L 3NG	Brown			
2	N 012 238 5	Spring washer		1	924
3	900 078 006 01	Hexagon nut		1	
		M 16 X 1,5			
4	113 857 113	Clamping washer		2	
		4 X 12			
5	477 419 059	Needle sleeve		1	
6	113 415 511	Needle-roller bearing		1	
7	477 419 505 J	Steering column		1	
8	411 417 605	Support ring		1	
9	999 072 005 09	Hexagon nut		2	
		M 6 X 12			
9	999 072 005 01	Hexagon nut		2	
		M 6 X 12			
10	211 805 243	Spring washer		2	
11	411 417 613	Rubber mounting		1	
12	171 419 549	Clamping sleeve		1	
12A	171 419 341	Support ring		1	
13	477 419 563 B	Protective tube		1	
14	411 417 549	Shear bolt		2	
16	111 129 720	Washer		2	
17	N 014 707 4	Pan-head screw		1	
		M 8 X 16			
18	113 415 660 A	Slip ring		1	
19	900 146 029 02	Oval-head screw		3	
		AM 3,5 X 10			
20	N 012 131 2	Shake-proof washer		3	
21	171 419 697	Compression spring		3	
22	477 419 669	Cap		1	
22A	944 347 859 00	Padded cap		1	
	944 347 859 00 1DB	Black			
	944 347 859 00 4RB	Brown			
23	171 419 791 A	Lining		1	
24	321 419 779	Insulating bush		3	
(24)	321 419 779 A	Insulating bush		3	
		for			
		Sports steering wheel			
		361 MM \$			
25	900 114 014 01	Shake-proof washer		3	
26	N 010 261 3	Hexagon-head bolt		3	
		M 4 X 16			
27	900 025 002 02	Washer		2	
27	900 025 002 03	Washer		2	
28	900 146 029 02	Oval-head screw		3	
		B 3,5 X 13			
					TURBO

Model: 924 76

Model life 1976>>1979

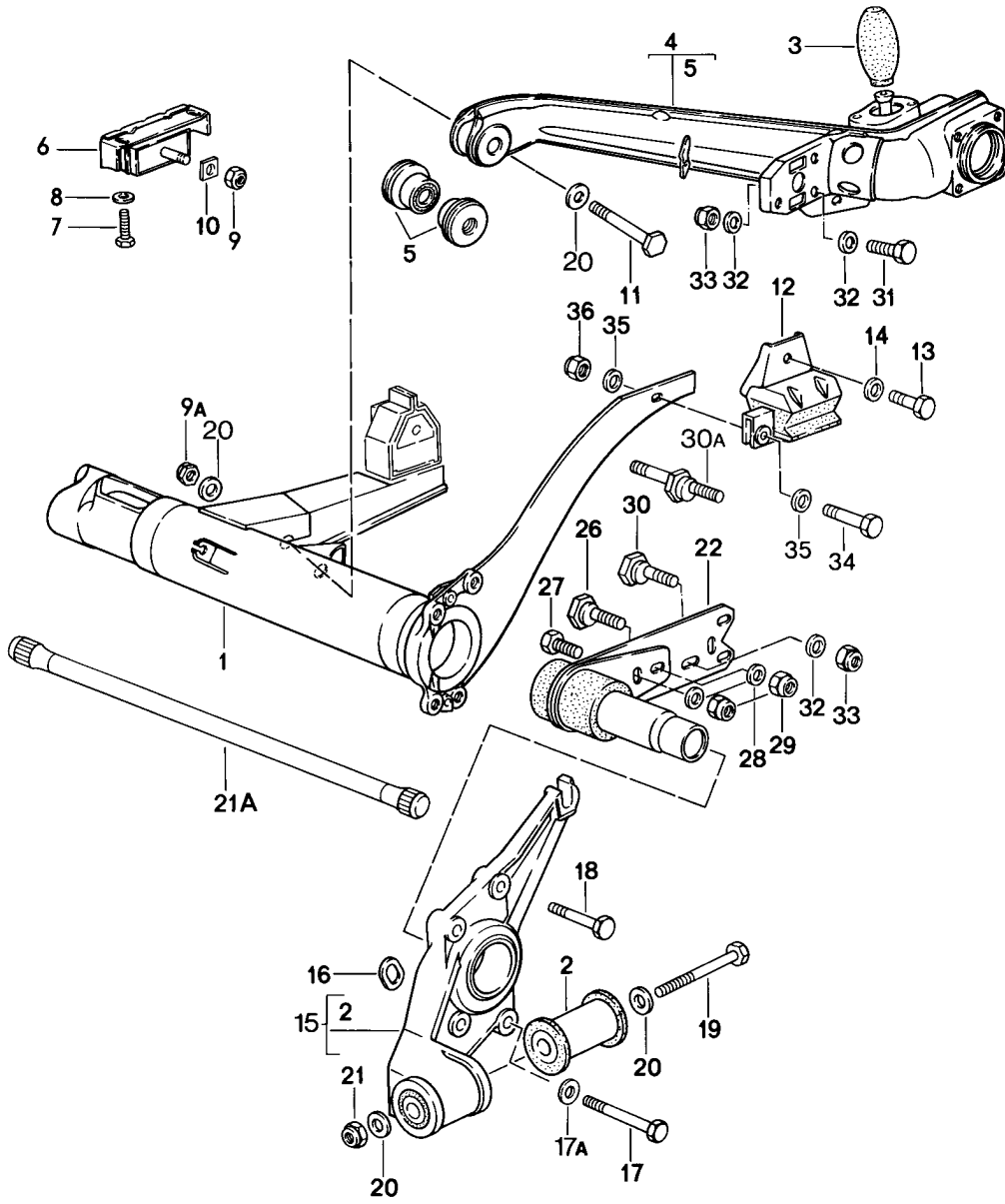


Model: 924 76 Model life 1976>>1979

Pos	Part Number	Description	Remark	Qty	Model
		Rear axle carrier			924
		Rear axle link			
		F >>92481 00776			
		F >>92482 01225			
		F >>92483 30098			
1	477 500 053	Rear axle carrier		1	
2	477 405 423	Washer		4	
		A 13			
3	N 012 042 4	Lock ring		4	
4	N 010 154 3	Hexagon-head bolt		4	
		M 12 X 55			
6	311 501 191	Rubber stop		2	
7	477 501 035 D	Rear axle link	/L	1	
(7)	477 501 036 D	Rear axle link	/R	1	
8	477 501 541	Silentbloc		4	
9	N 010 190 4	Hexagon-head bolt		2	
		M 12 X 90			
10	803 199 347	Spring washer		4	
10	803 199 34H	Washer		4	
11	N 022 141 4	Lock nut		2	
		M 12 X 1,5			
12	311 511 115 D	Torsion bar	/L	1	
		22 MM			
(12)	311 511 116 D	Torsion bar	/R	1	
		22 MM			
13	113 511 205 B	Spring brace	/L	1	
(13)	113 511 206 B	Spring brace	/R	1	
14	113 511 227 B	Lid		2	
15	N 012 028 1	Lock ring		8	
16	N 010 254 6	Hexagon-head bolt		8	
		M 10 X 22			
16	N 010 254 F	Hexagon-head bolt		8	
		M 10 X 22			
17	111 511 245 E	Rubber mounting		2	
		Outer			
18	311 511 245	Rubber mounting	/R	1	
		Inner			
(18)	311 511 246	Rubber mounting	/L	1	
		Inner			
19	N 010 138 1	Hexagon-head bolt		6	
		M 12 X 1,5 X 38			
20	N 011 531 7	Washer		12	
21	211 513 537	Spring washer		6	
22	N 011 020 8	Hexagon nut		6	
		M 12 X 1,5			
22	900 034 036 01	Hexagon nut		6	
		M 12 X 1,5			

Model: 924 76

Model life 1976>>1979





Model: 924 76 Model life 1976>>1979

Pos	Part Number	Description	Remark	Qty	Model
		Rear axle carrier Rear axle link F 92481 00777>> F 92482 01226>> F 92483 30099>>			
1	477 500 053 F	Rear axle carrier 4-speed		1	924
(1)	477 500 053 E	Rear axle carrier 5-speed		1	
2	477 501 069 A	Rubber bush		2	
3	311 501 191	Rubber stop		2	
4	477 501 035 D	Rear axle link	/L	1	
(4)	477 501 036 D	Rear axle link	/R	1	
5	477 501 541	Silentbloc		4	
6	477 501 089	Mounting		2	
6	951 333 088 30	Mounting		2	
6	951 333 088 32	Mounting		2	
7	900 075 043 02	Hexagon-head bolt M 10 X 30		4	
8	900 025 008 09	Washer		4	
8	900 025 008 04	Washer		4	
9	N 022 149 2	Lock nut		2	
9A	N 021 131 1	Lock nut M 12 X 1,5		2	
10	477 501 697	Washer		2	
11	N 010 190 4	Hexagon-head bolt M 12 X 90		2	
12	944 331 075 00	Supporting mount	/L	1	
12	944 331 075 01	Supporting mount	/L	1	
(12)	944 331 076 00	Supporting mount	/R	1	
(12)	944 331 076 01	Supporting mount	/R	1	
13	900 075 040 02	Hexagon-head bolt M 10 X 20		2	
13	900 075 517 01	Hexagon-head bolt M 10 X 20		2	
14	N 012 230 6	Spring washer		8	
15	944 331 059 00	Bearing flange	/L	1	
(15)	944 331 060 00	Bearing flange	/R	1	
16	477 501 667	Washer		2	
17	N 010 465 5	Hexagon-head bolt M 10 X 65		2	
17	900 074 248 03	Hexagon-head bolt M 10 X 65		2	
17A	N 012 230 6	Spring washer		8	
18	N 010 455 3	Hexagon-head bolt M 10 X 55		6	
19	900 082 059 02	Hexagon-head bolt M 12 X 1,5 X 115		2	
20	803 199 347	Spring washer		8	
20	803 199 34H	Washer		8	
21	N 022 141 4	Lock nut		2	
21A	311 511 115 D	VM 12 X 1,5 Torsion bar 22 MM	/L	1	924
(21A)	311 511 116 D	Torsion bar 22 MM	/R	1	924
(21A)	944 333 115 00	Torsion bar 23,5 MM	/L	1	
		Only together with Stabiliser 14 MM			
(21A)	944 333 116 00	Torsion bar 23,5 MM	/R	1	

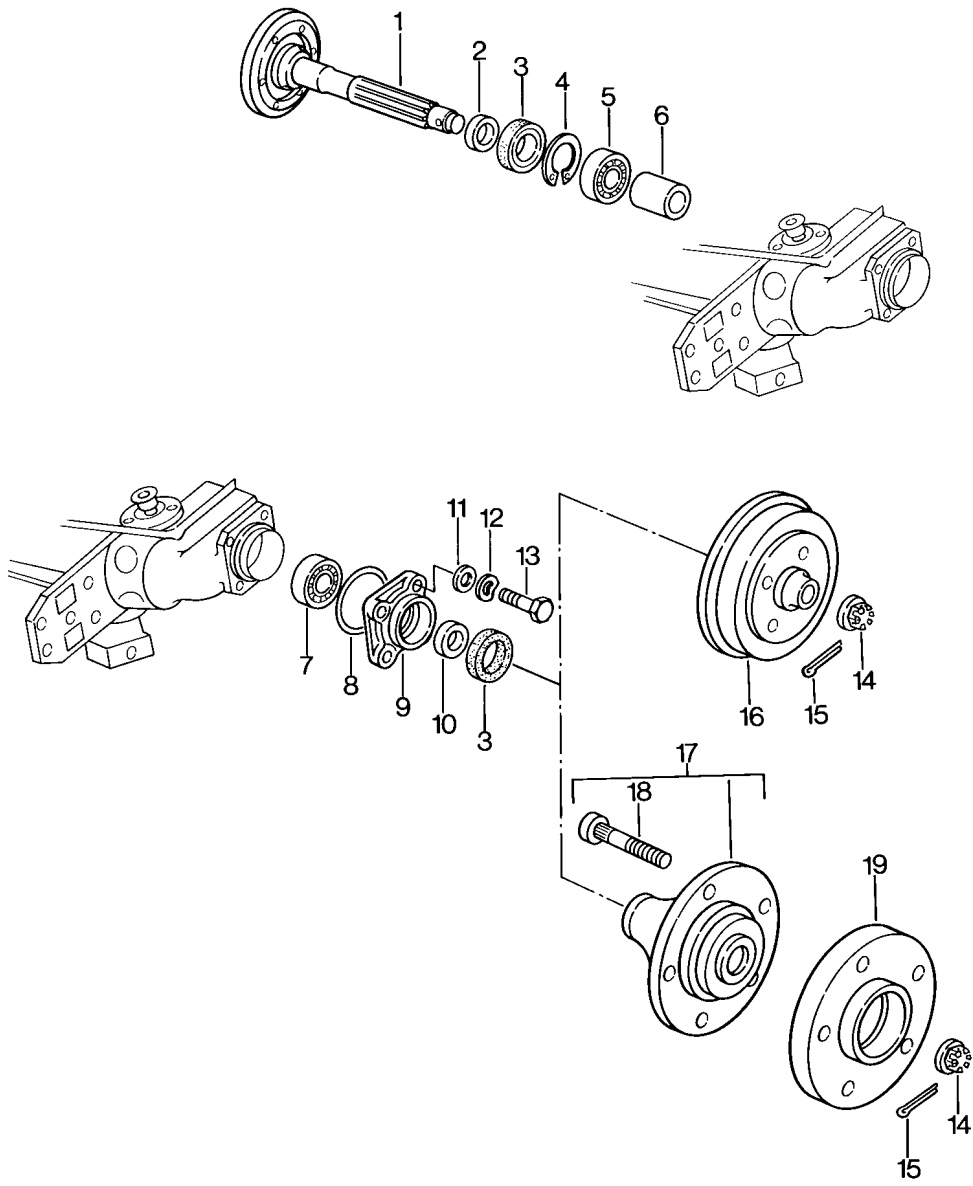
Model: 924 76

Model life 1976>>1979

Pos	Part Number	Description	Remark	Qty	Model
		Only together with Stabiliser 14 MM			
22	477 511 201	Rear axle strut	/L	1	
22	477 511 202	Rear axle strut	/R	1	
26	911 333 303 00	Eccentric screw		2	
26	911 333 303 01	Eccentric screw		2	
27	911 333 305 00	Hexagon-head bolt		2	
27	911 333 305 01	Hexagon-head bolt		2	
28	911 333 307 00	Washer		4	
28	911 333 307 02	Washer		4	
29	900 910 092 02	Lock nut		4	
		VM 16 X 1,5			
29	900 360 007 01	Lock nut		4	
		VM 16 X 1,5			
30	477 511 519	Camber eccentric		2	924
30A	477 511 515	Camber eccentric		2	
		Only together with Stabiliser 14 MM			
30A	477 511 516	Camber eccentric		2	
		Only together with Stabiliser 14 MM			
31	N 010 138 1	Hexagon-head bolt		4	
		M 12 X 1,5 X 38			
32	N 011 531 7	Washer		8	
33	N 022 141 4	Lock nut		4	
		VM 12 X 1,5			
34	900 075 029 09	Hexagon-head bolt		2	
		M 8 X 25			
34	900 075 029 03	Hexagon-head bolt		2	
		M 8 X 25			
35	900 025 007 02	Washer		4	
35	900 025 007 03	Washer		4	
36	900 910 022 09	Lock nut		2	
36	900 910 022 03	Lock nut		2	

Model: 924 76

Model life 1976>>1979



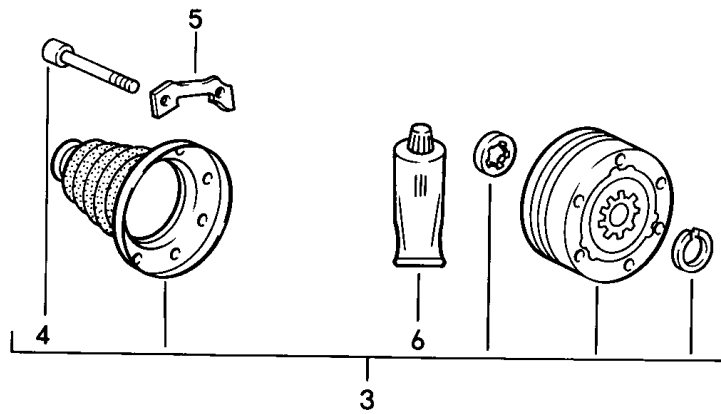
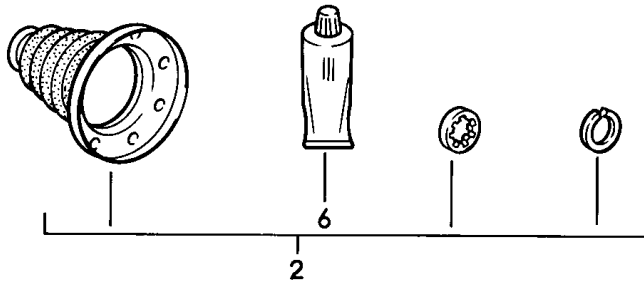
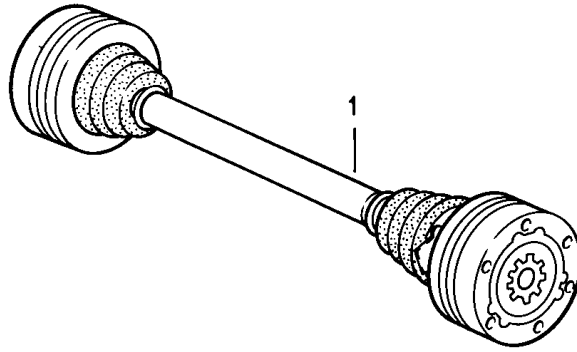
Model: 924 76

Model life 1976>>1979

Pos	Part Number	Description	Remark	Qty	Model
-	PCG 043 110 00	Rear wheel shaft Lubricants Grease Bearing 200 GR.		1	
1	477 501 263	Rear wheel shaft		2	
2	113 501 305	Spacer ring Inner		2	
3	113 501 315 H	Radial shaft seal		4	
4	N 012 319 1	Circlip		2	
5	113 501 283	Deep-groove ball bearing		2	
6	113 501 243	Spacer tube		2	
6	PCG 501 243	Spacer tube		2	
7	113 501 277 A	Cylindrical-roller bearing Outer		2	
7	113 501 277 B	Cylindrical-roller bearing Outer		2	
8	113 501 291 B	Sealing ring		2	
9	113 501 311	Lid		2	
10	113 501 303	Spacer ring Outer		2	
11	311 501 317	Washer 10,2 X 18		8	
12	N 012 231 1	Spring washer A 10		8	
13	311 501 325	Hexagon-head bolt M 10 X 35		8	
14	311 501 221	Castle nut		2	
15	900 021 025 02	Cotter pin Brake drum		2	
16	477 501 615 A	Brake drum		2	
16	924 352 031 00	Brake drum Disc brake		2	

Model: 924 76

Model life 1976>>1979



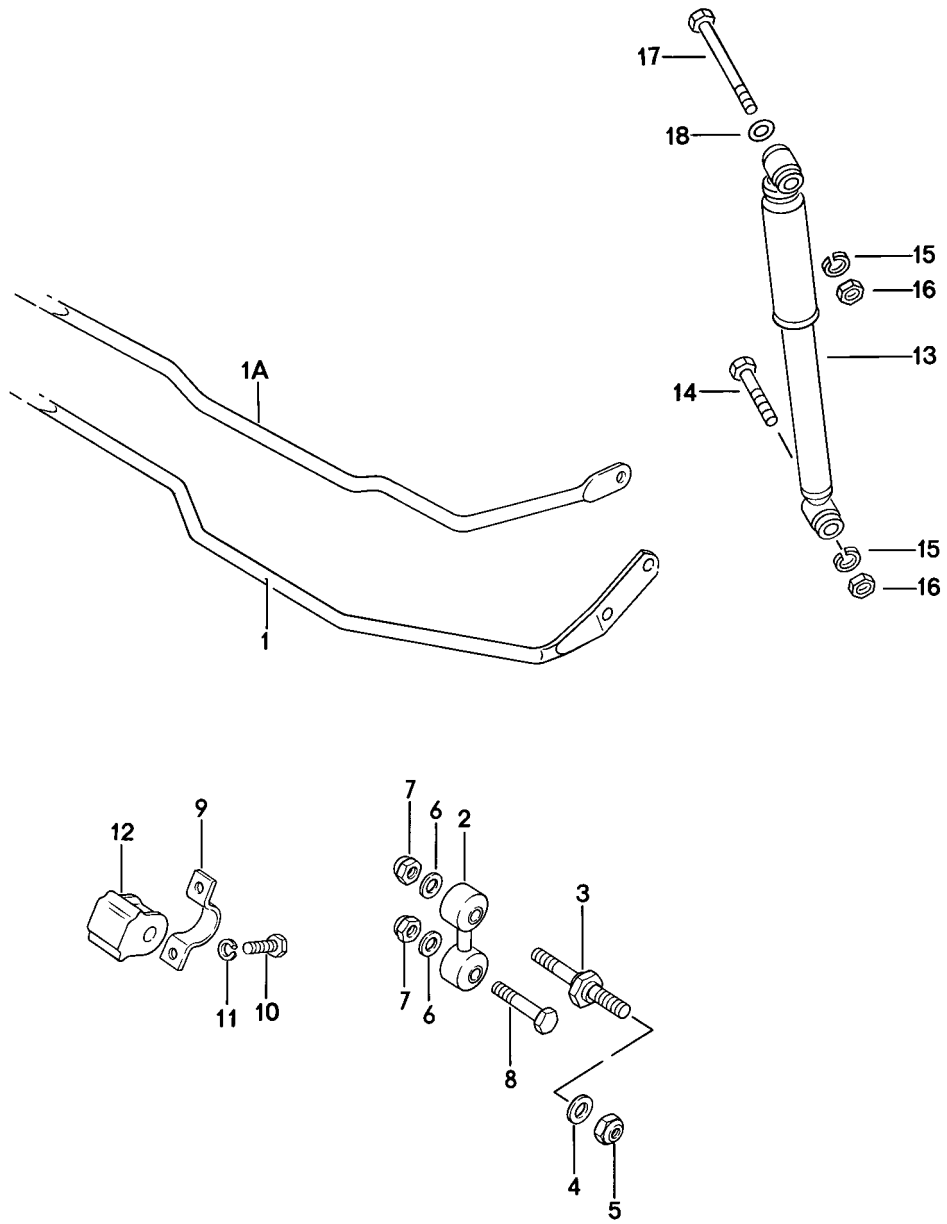
Model: 924 76

Model life 1976>>1979

Pos	Part Number	Description	Remark	Qty	Model
1	477 501 103	Drive shaft		2	
1	477 501 101 A	Drive shaft	/L	1	AUT.
1	477 501 102 A	Drive shaft	/R	1	AUT.
2	944 331 903 00	Repair kit Dust bellows		4	
3	944 331 901 00	Repair kit Constant-velocity joint		4	
4	893 407 237	Pan-head screw		12	
4	N 911 082 01	Multiple-tooth screw		12	
5	944 332 191 00	Plate		6	
6	000 043 005 00	Grease Optimoly 1 90-gramme tube		X	

Model: 924 76

Model life 1976>>1979



Model: 924 76 Model life 1976>>1979

Pos	Part Number	Description	Remark	Qty	Model
1	477 511 409 B	Stabiliser Vibration damper Stabiliser 18 \$		1	924
1A	477 511 411 A	Stabiliser 14 \$ F 92482 01226>> F 92483 30099>>		1	
2	477 511 051 A	Stabiliser mounting		2	
3	477 511 515	Camber eccentric		2	
3	477 511 516	Camber eccentric		2	
4	N 011 531 7	Washer		2	
5	N 022 141 4	Lock nut M 12 X 1,5		2	
6	900 025 008 09	Washer		4	
6	900 025 008 04	Washer		4	
7	N 022 149 2	Lock nut		4	
8	N 010 452 4	Hexagon-head bolt M 10 X 52		2	
8	900 074 374 01	Hexagon-head bolt M 10 X 52 Mount Cross tube		2	
9	113 411 333	Retaining bar		2	
10	N 010 240 16	Hexagon-head bolt M 8 X 20		4	
11	900 027 015 02	Lock ring		4	
11	900 027 015 03	Lock ring		4	
12	477 411 313 F	Rubber mounting 14 \$		2	
13	477 513 031 B	Vibration damper Vibration damper F >>92481 00776 F >>92482 01225 F >>92483 30098		2	924
(13)	477 513 031 C	Vibration damper - fichtel + sachs - F 92481 00777>> F 92482 01226>> F 92483 30099>>		2	924
(13)	477 513 031 E	Vibration damper - koni - F 92481 00777>> F 92482 01226>> F 92483 30099>>		2	924
14	N 010 156 3	Hexagon-head bolt M 12 X 1,5 X 70		2	
15	N 012 042 4	Lock ring		4	
16	N 011 020 8	Hexagon nut M 12 X 1,5		4	
16	900 034 036 01	Hexagon nut M 12 X 1,5		4	
17	900 082 059 02	Hexagon-head bolt M 12 X 1,5 X 115		2	924
(17)	900 082 044 02	Hexagon-head bolt M 12 X 1,5 X 125 F 92481 00777>> F 92482 01226>> F 92483 30099>>		2	
(17)	900 082 118 01	Hexagon-head bolt M 12 X 1,5 X 125 F 92481 00777>> F 92482 01226>>		2	



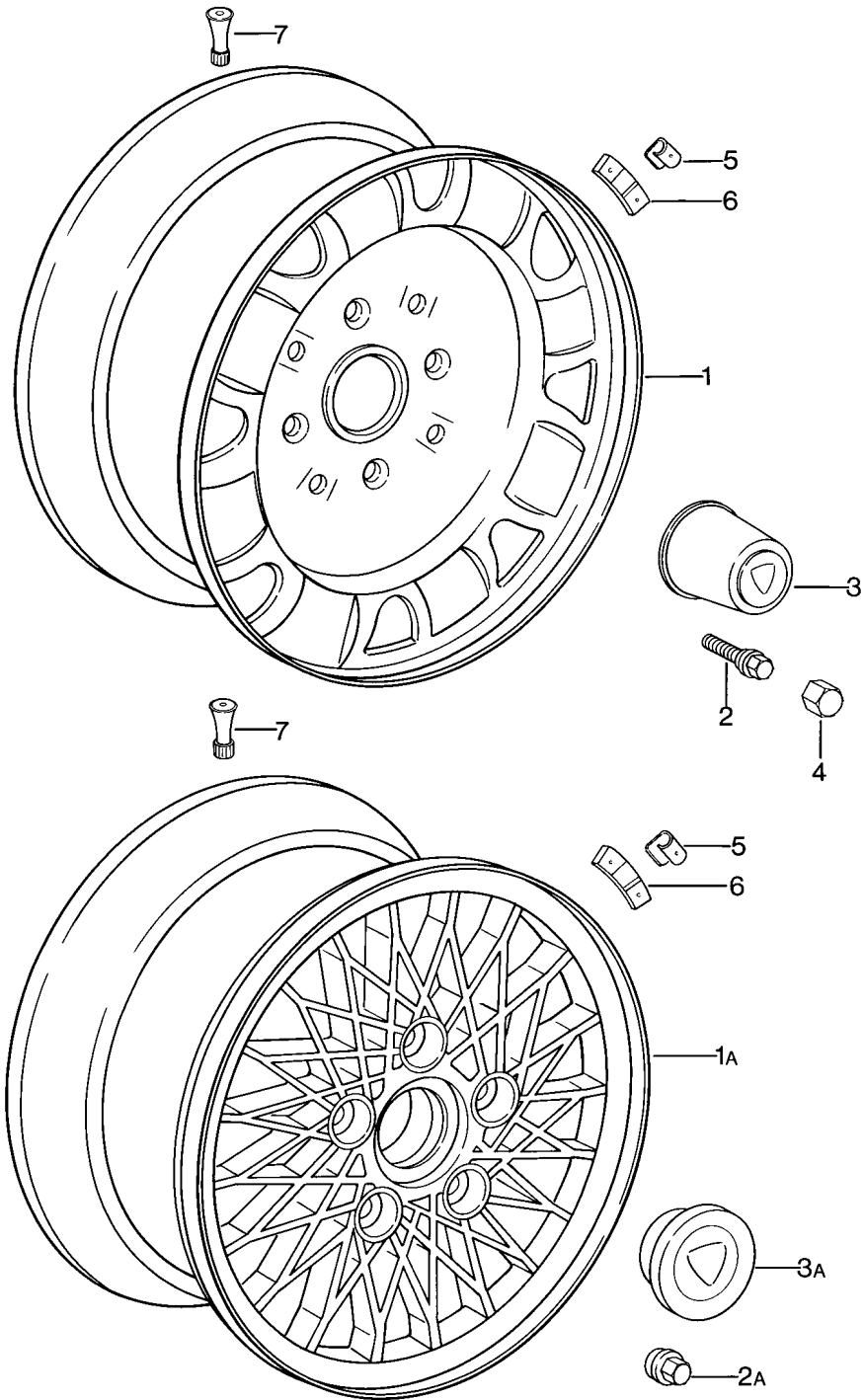
Model: 924 76

Model life 1976>>1979

Pos	Part Number	Description	Remark	Qty	Model
18	043 101 129	F 92483 30099>> Washer		2	
18	900 025 009 02	Washer		2	

Model: 924 76

Model life 1976>>1979



Model: 924 76 Model life 1976>>1979

Pos	Part Number	Description	Remark	Qty	Model
1	477 601 029 A	Disc wheel Disc wheel 5 1/2 J X 14 Steel 4- Hole		5	924
(1)	477 601 031 B	Disc wheel 6 J X 14 Light alloy 4- Hole		5	924
(1)	477 601 031 D	Alloy wheel 6 J X 14 Light alloy Black 4- Hole		5	924
1A	477 601 025 B	Cast spoked wheel  6 J X 15 5- Hole		5	924 M471
2	431 601 139	Wheel bolt M 14 X 1,5 X 25,5 for 477.601.029.A		16	924
(2)	477 601 139 B	Wheel bolt M 14 X 1,5 X 25,5		16	924
-	477 601 041	Lock for Alloy wheels 477.601.031.B/D		1	
2A	999 182 003 36	Wheel nut		20	924 M471
(2A)	N 020 112 1	Ball seat nut for Steel wheel		20	
3	477 601 151 E	Hub cap for Steel wheel 4- Hole		4	924
-	901 361 031 01	Hub cap for Steel wheel 5- Hole		4	
(3)	477 601 151 N	Hub cap Alloy wheel		4	924
3A	928 361 032 01	Hub cap  Silver metallic Porsche Wappen Silver		4	924 M471
4	321 601 173	Cap		16	
5	914 361 441 00	Retainer spring		X	
6	928 361 410 00	Balance weight 10 G		X	
(6)	928 361 411 00	Balance weight 20 G		X	
(6)	928 361 412 00	Balance weight 30 G		X	
(6)	928 361 413 00	Balance weight		X	

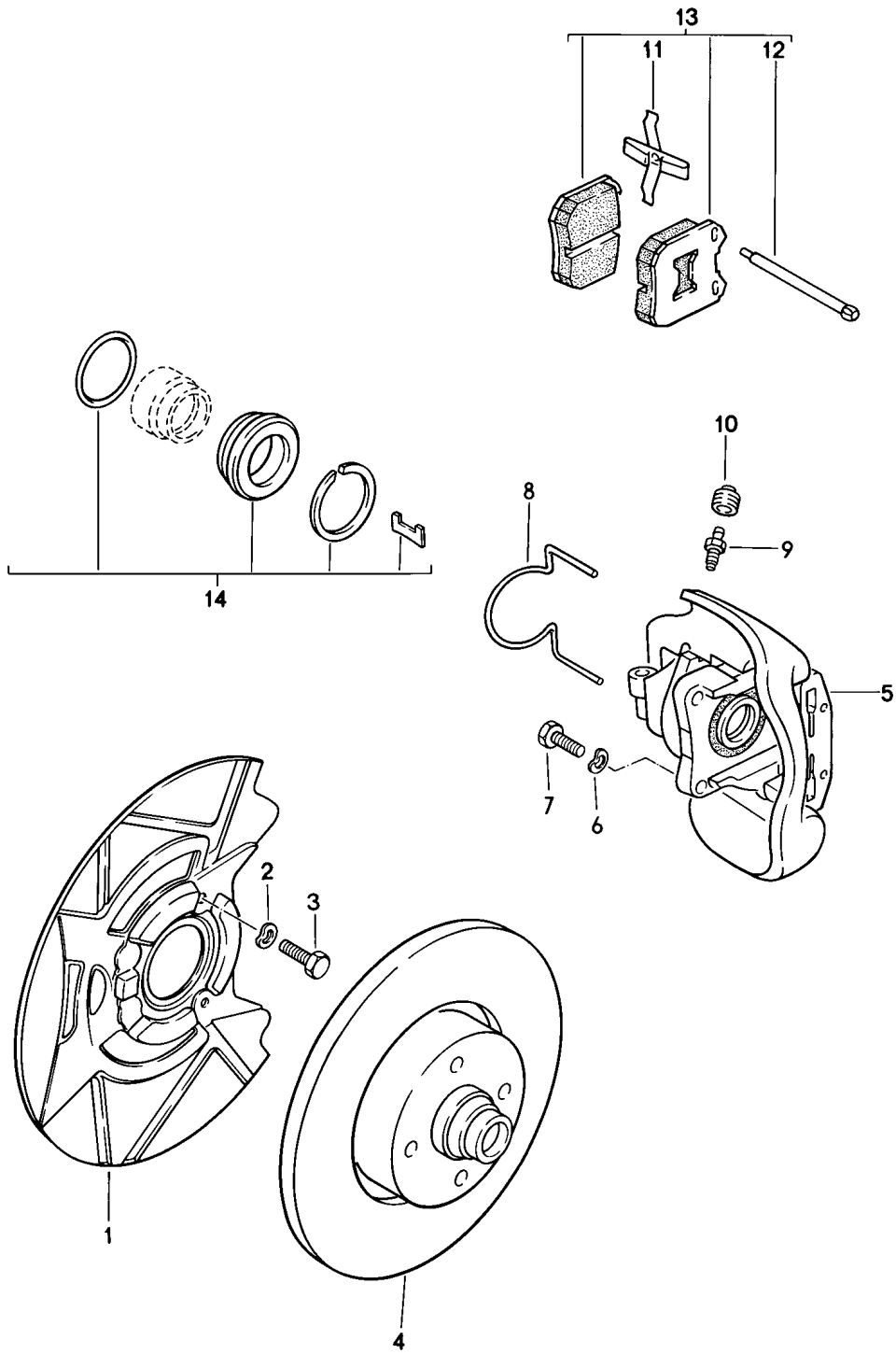
Model: 924 76

Model life 1976&gt;&gt;1979

Pos	Part Number	Description	Remark	Qty	Model
(6)	928 361 414 00	40 G Balance weight		X	
(6)	928 361 415 00	50 G Balance weight		X	
(6)	928 361 416 00	60 G Balance weight		X	
(6)	928 361 417 00	70 G Balance weight		X	
(6)	901 361 410 00	80 G Balance stick-on weight		X	924
(6)	901 361 411 00	10 G Balance stick-on weight		X	924
(6)	901 361 412 00	20 G Balance stick-on weight		X	924
(6)	901 361 413 00	30 G Balance stick-on weight		X	924
7	900 265 001 50	40 G Rubber valve		5	
7	900 265 001 51	15,2 MM \$ Rubber valve		5	
-	477 601 011	15,2 MM \$ Emergency wheel		1	924
		5 1/2 J X 14 4- Hole with collapsible tire			
-	477 601 015 A	B 78-14 SST Emergency wheel		1	TURBO
		5 1/2 J X 15 5- Hole with collapsible tire			
-	911 361 510 02	165/15 Small electric compressor		1	
-	911 722 202 00	Tyre pressure gauge		1	
		Porsche Classic mit Lederhülle			
-	914 722 104 10	Wing screw		1	
		M 10 X 55			
-		Wing screw		1	
		M 10 X 75			
-	477 813 157	Mounting plate		1	
-	477 813 191	Support		1	
-	N 010 251 2	Hexagon-head bolt		1	
		M 10 X 18			
-	900 027 016 02	Lock ring		1	
-	900 027 016 03	Lock ring		1	

Model: 924 76

Model life 1976>>1979

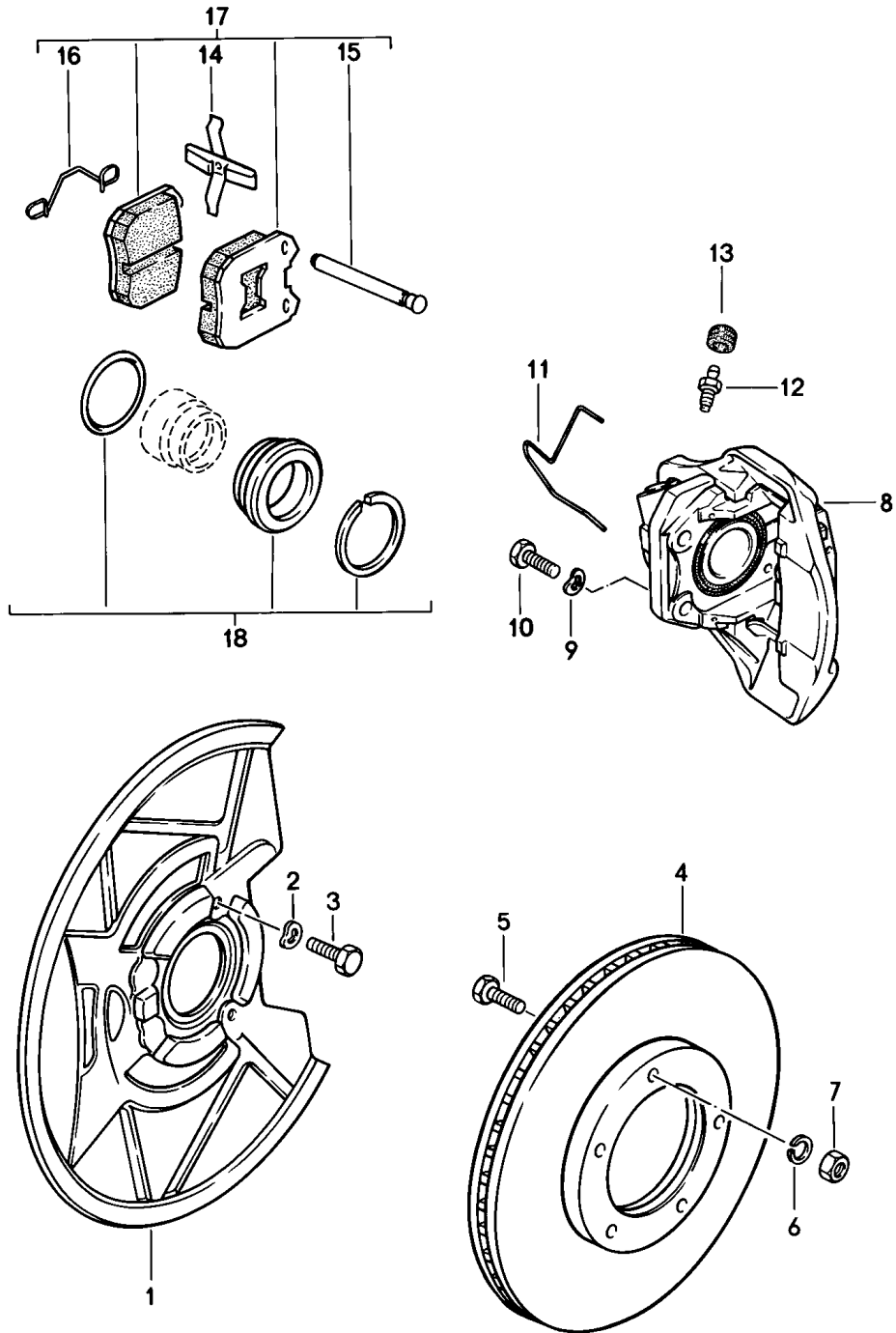


Model: 924 76 Model life 1976>>1979

Pos	Part Number	Description	Remark	Qty	Model
		Disc brake Front axle			924
1	477 407 165 B	Cover plate	-78	2	
1	477 407 165 E	Cover plate	79-	2	
2	N 012 234 5	Spring washer B 7		6	
3	N 010 226 2	Hexagon-head bolt M 7 X 10		6	
4	477 405 583 B	Brake disc		2	
5	477 615 107	Floating calliper	/L	1	
(5)	477 615 108	Floating calliper	/R	1	
6	900 028 014 02	Washer B 12		4	
6	900 028 014 03	Washer B 12		4	
7	N 010 137 1	Hexagon-head bolt M 12 X 1,5 X 35		4	
8	803 615 169	Guide spring	/L	1	
(8)	803 615 170	Guide spring	/R	1	
9	113 615 273 A	Ventilation valve		2	
10	211 611 483	Dust boot		2	
11	803 615 269 C	Expanding spring		2	
12	803 615 261 B	Retaining pin		4	
13	477 698 151 A	Brake pad repair set		1	
-	928 352 951 02	Brake pad repair set		1	
-	477 698 163	Parts set		1	
14	803 698 471 C	Gasket set		2	

Model: 924 76

Model life 1976>>1979



Model: 924 76

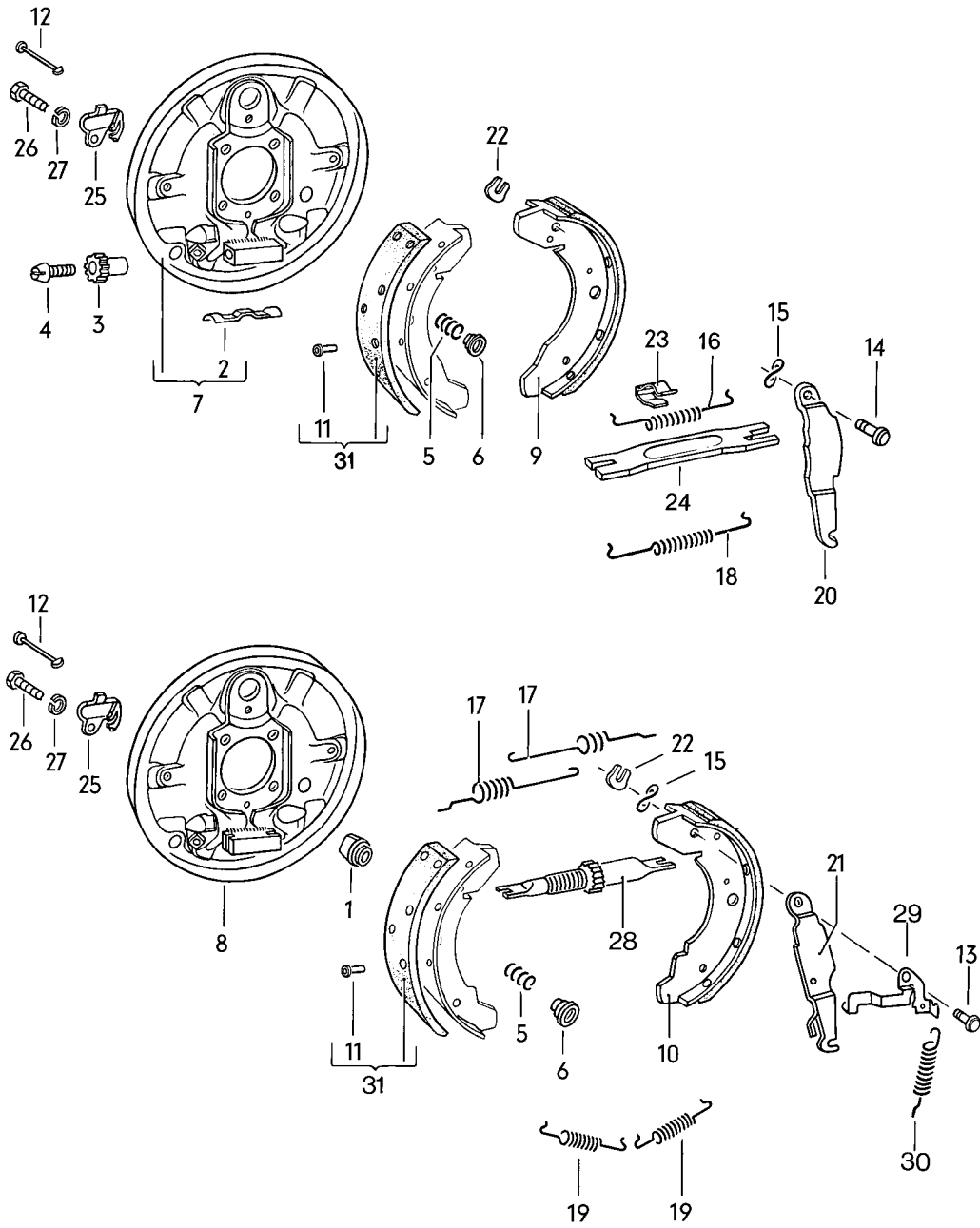
Model life 1976&gt;&gt;1979

Pos	Part Number	Description	Remark	Qty	Model
		Disc brake			924 M471
		Front axle			
1	477 407 165 F	Cover plate		2	
2	N 012 234 5	Spring washer		6	
		B 7			
3	N 010 226 2	Hexagon-head bolt		6	
		M 7 X 10			
4	477 405 083 A	Brake disc		2	
4	477 405 083 D	Brake disc		2	
5	900 075 079 02	Hexagon-head bolt		10	
		M 8 X 22			
6	N 012 241 1	Spring washer		10	
		B 8			
7	900 076 025 02	Hexagon nut		10	
		M 8			
7	900 076 064 02	Hexagon nut		10	
		M 8			
8	477 615 109	Floating calliper	/L	1	
(8)	477 615 110	Floating calliper	/R	1	
9	900 028 014 02	Washer		4	
		B 12			
9	900 028 014 03	Washer		4	
		B 12			
10	N 040 108 1	Hexagon-head bolt		4	
		M 12 X 1,5 X 40			
11	431 615 169	Guide spring		2	
11	PCG 615 169	Guide spring		2	
12	928 351 945 00	Ventilation valve		2	
13	211 611 483	Dust boot		2	
14	928 351 935 00	Expanding spring		2	
15	928 351 936 00	Retaining pin		4	
16	477 615 112	Retaining spring		2	
17	477 698 155	Brake pad repair set		1	
-	944 351 951 02	Brake pad repair set		1	
-	944 351 951 03	Brake pad repair set		1	
-	944 351 951 02	Brake pad repair set		1	
		without asbestos			
-	944 351 951 03	Brake pad repair set		1	
		without asbestos			
-	944 351 952 01	Mounting parts		1	
18	928 351 941 00	Gasket set		2	



Model: 924 76

Model life 1976>>1979



Model: 924 76 Model life 1976>>1979

Pos	Part Number	Description	Remark	Qty	Model
		Brake			924
		Rear axle			
1	113 609 163	Stopper		8	
2	211 609 185 A	Leaf spring		2	
		for			
		Adjusting nut			
3	113 609 205 A	Adjusting nut		4	
4	131 609 209	Adjusting screw		4	
5	251 609 283	Compression spring		4	
6	251 609 289	Concave washer		4	
7	113 609 439 E	Brake mounting plate	/L	1	
(7)	113 609 440 E	Brake mounting plate	/R	1	
9	477 609 537 D	Brake shoe		4	
		40			
		with pad			
9		Brake shoe		4	
		40			
		with pad			
		without asbestos			
11	N 013 633 1	Rivet		36	
		C 4 X 7,5			
12	171 609 579 B	Roll pin		4	
		37			
14	211 609 601 B	Bearing pin		2	
		for			
		Lever			
15	N 012 228 3	Spring washer		2	
		B 8			
16	113 609 605 A	Return spring		2	
		Upper			
16	113 609 605 B	Return spring		2	
		Upper			
18	113 609 309 B	Return spring		2	
		Lower			
18	113 609 309 C	Return spring		2	
		Lower			
20	113 609 613 A	Brake lever	/L	1	
(20)	113 609 614 A	Brake lever	/R	1	
22	211 609 619	Lock washer		2	
		for			
		Bearing pin			
23	113 609 625	Clamp		2	
		for			
		Push rod			
24	113 609 631 A	Push rod		2	
25	113 609 637	Support	/L	1	
		for			
		Parking-brake cable			
(25)	113 609 638	Support	/R	1	
		for			
		Parking-brake cable			
26	900 075 087 02	Hexagon-head bolt		2	
		M 8 X 15			
26	900 075 087 03	Hexagon-head bolt		2	
		M 8 X 15			
27	900 027 015 02	Lock ring		2	
		B 8			
27	900 027 015 03	Lock ring		2	
		B 8			
31	477 698 075 A	Brake pad repair set		1	
		- jurid -			
31		Brake pad repair set		1	
		- energit -			

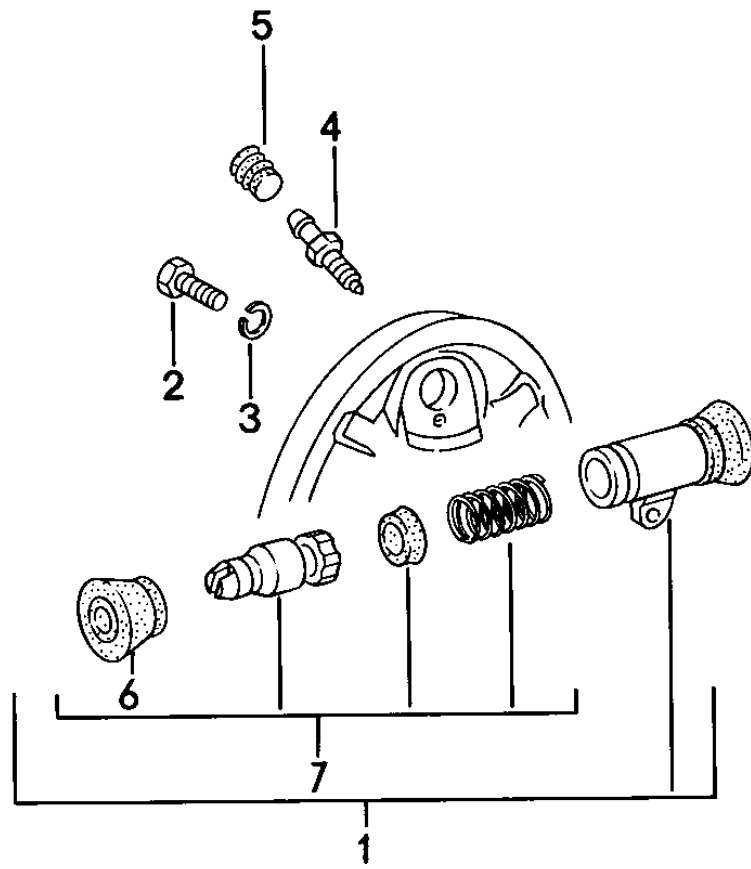
Model: 924 76

Model life 1976>>1979

Pos	Part Number	Description	Remark	Qty	Model
(31)	477 698 076 A	without asbestos Brake pad repair set - jurid - Oversize 0.50 mm		1	
(31)		Brake pad repair set - energit - without asbestos Oversize 0.50 mm Brake drum See group 5/01/10		1	

Model: 924 76

Model life 1976>>1979



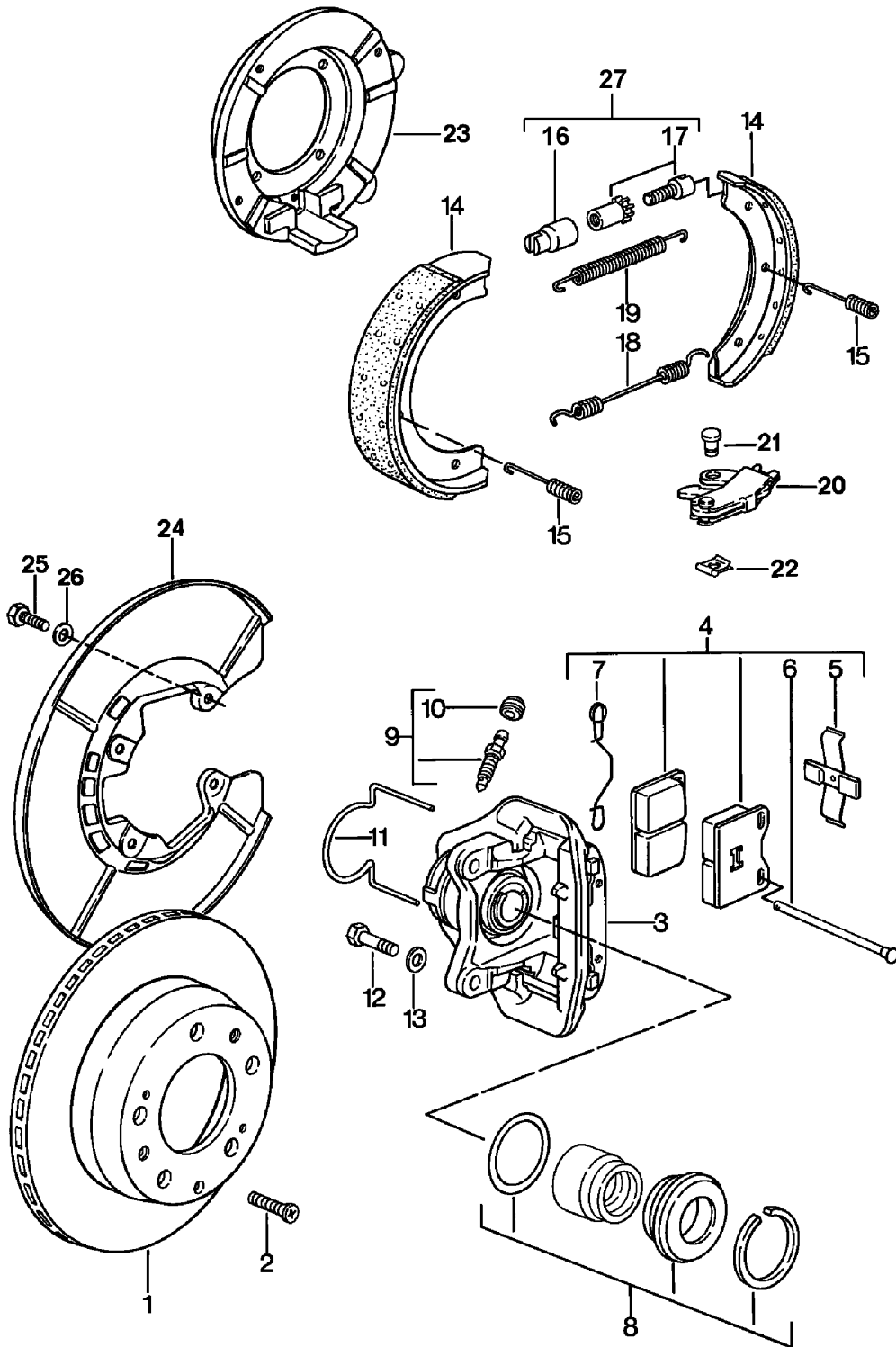
Model: 924 76

Model life 1976>>1979

Pos	Part Number	Description	Remark	Qty	Model
		Brake Rear			924
1	477 611 055 E	Wheel brake cylinder Wheel brake cylinder 19,05		2	
2	900 075 087 02	Hexagon-head bolt M 8 X 15		2	
2	900 075 087 03	Hexagon-head bolt M 8 X 15		2	
3	900 027 015 02	Lock ring		2	
3	900 027 015 03	Lock ring		2	
4	211 611 477 A	Ventilation valve		2	
5	211 611 483	Dust boot		2	
6	113 611 695 D	Protection cap		2	
7	477 698 051	Repair kit Wheel brake cylinder 19,05		2	

Model: 924 76

Model life 1976>>1979



Model: 924 76 Model life 1976>>1979

Pos	Part Number	Description	Remark	Qty	Model
		Disc brake Rear axle			924 M471
1	944 352 041 02	Brake disc		2	
2	N 033 167 1	Countersunk-head screw M 6 X 12		4	
2	900 269 047 01	Countersunk-head screw M 6 X 12		4	
3	944 352 429 00	Floating calliper without pad	/L	1	
(3)	944 352 430 00	Floating calliper without pad	/R	1	
4	477 698 157	Brake pad repair set		1	
(4)	944 352 951 02	Brake pad repair set without asbestos		1	
(4)	928 352 951 02	Brake pad repair set without asbestos		1	
-	944 352 952 00	Mounting parts		1	
5	928 352 935 00	Expanding spring		2	
6	928 351 936 00	Retaining pin		4	
7	928 352 937 00	Retaining spring		2	
8	928 352 941 00	Gasket set		2	
9	901 352 977 10	Bleeder valve		2	
10	901 351 927 10	Dust boot		2	
11	928 352 939 00	Guide spring	/L	1	
(11)	928 352 940 00	Guide spring	/R	1	
12	N 010 137 1	Hexagon-head bolt M 12 X 1,5		4	
13	N 012 232 1	Spring washer Handbrake		4	
14	996 352 993 00	Repair kit without asbestos		4	
(14)	997 352 993 02	Brake shoe 1 set Only together with Compression spring 996.352.741.00 Adjusting screw 993.352.071.00		1	
15	928 352 957 02	Compression spring		4	
(15)	996 352 741 00	Compression spring Only together with Repair kit 997.352.993.02		4	
16	911 352 944 00	Support bush		2	
17	911 352 098 00	Adjusting screw		2	
17	911 352 098 01	Adjusting screw		2	
18	901 352 954 10	Return spring		2	
19	901 352 932 10	Return spring		2	
20	951 352 090 00	Expanding bow		2	
21	477 609 459	Bolt		2	
22	N 900 588 01	Lock		2	
23	477 609 111	Calliper carrier	/L	1	
23	477 609 426 A	Brake mounting plate	/R	1	
24	937 352 801 00	Protective plate		2	
25	N 010 210 13	Hexagon-head bolt M 6 X 10		8	
26	N 012 226 5	Spring washer		8	
27	993 352 071 00	Adjusting screw Only together with Repair kit 997.352.993.02		2	
27	298 609 723	Adjusting screw		2	

Model: 924 76

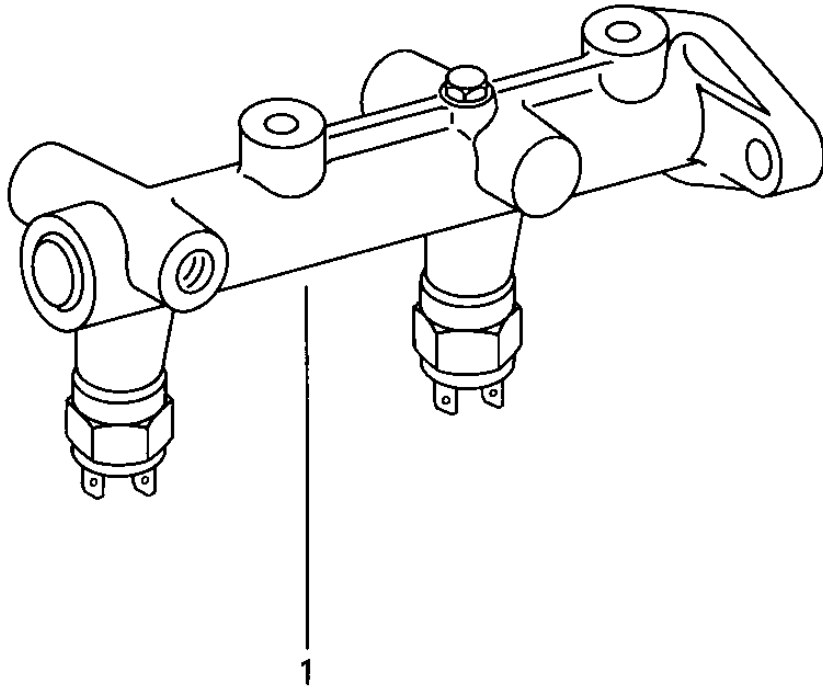
Model life 1976>>1979

Pos	Part Number	Description	Remark	Qty	Model
		Only together with Repair kit 997.352.993.02			



Model: 924 76

Model life 1976>>1979



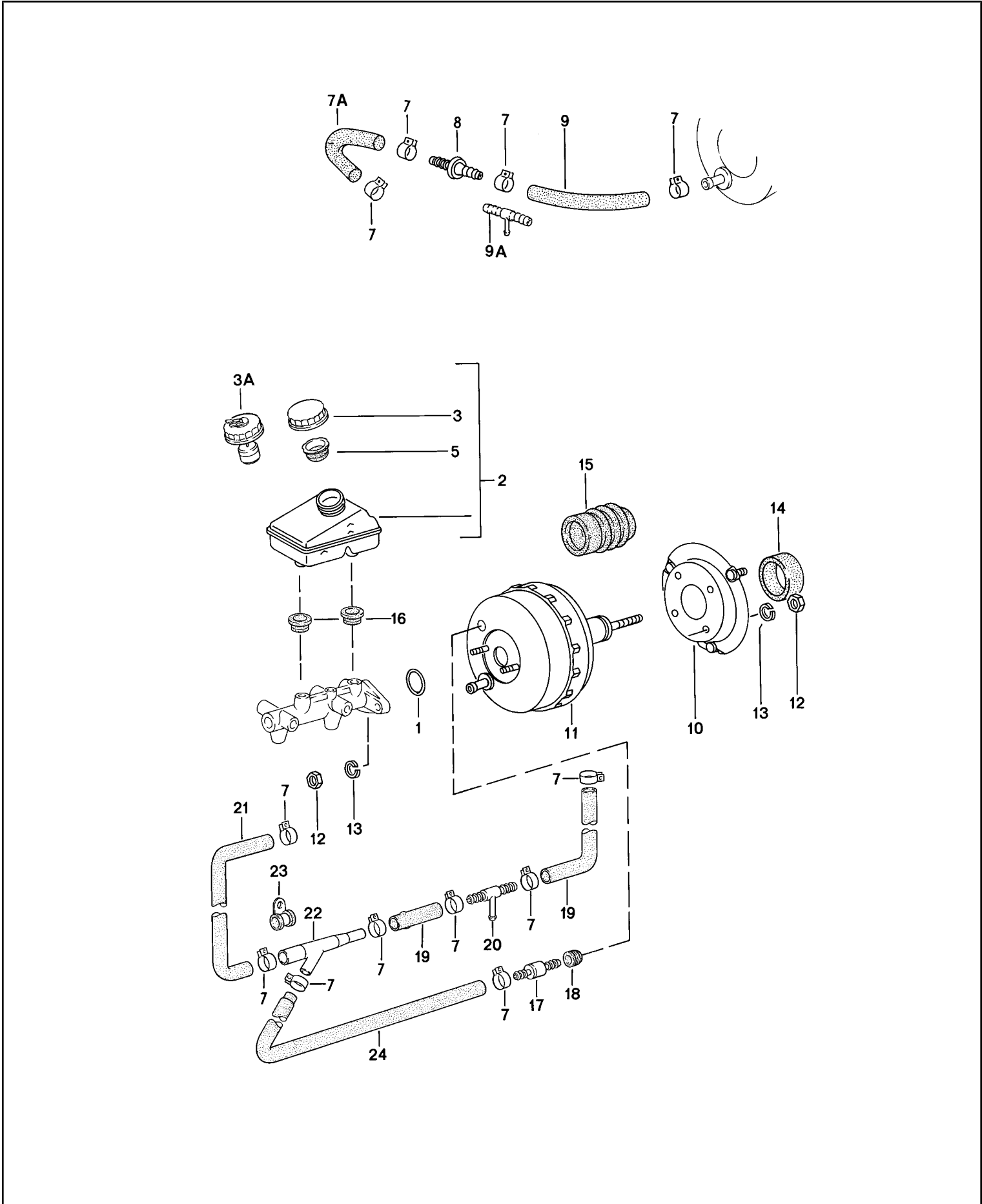
Model: 924 76

Model life 1976>>1979

Pos	Part Number	Description	Remark	Qty	Model
1	477 611 015 A	Brake master cylinder Brake master cylinder with Brake light switch 20.64 (TEVES)		1	924
(1)	928 355 011 04	Brake master cylinder		1	TURBO 924 M471
-	803 611 245	Stop screw		1	
-	N 013 804 2	Sealing ring		1	
-	477 611 015 A	Brake master cylinder for Brake master cylinder 477.611.015.A Brake light switch See group 9/06/00		1	924

Model: 924 76

Model life 1976>>1979

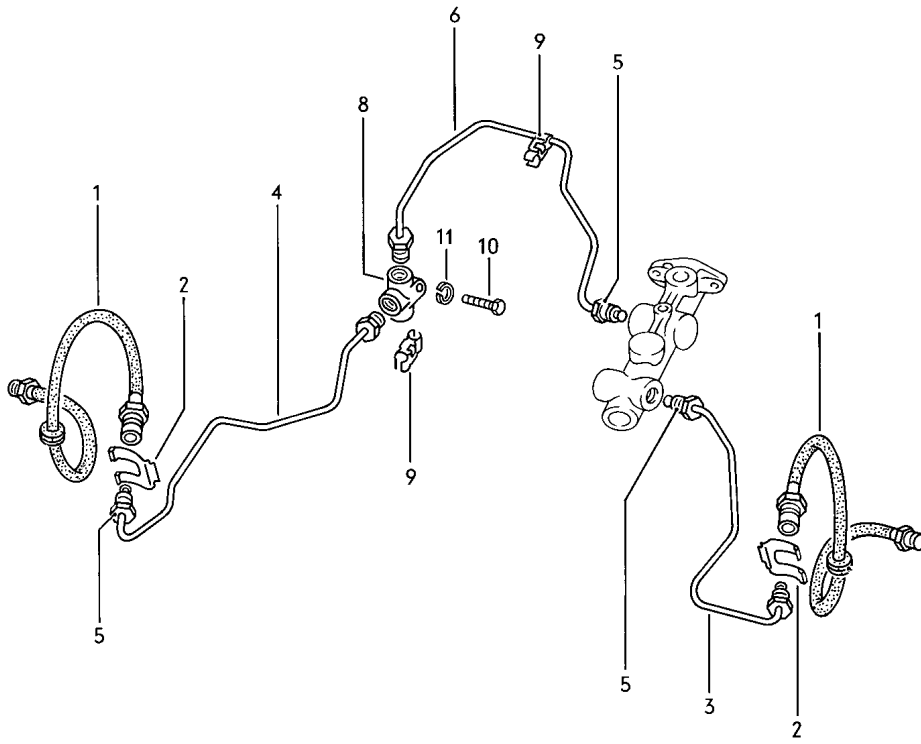


Model: 924 76 Model life 1976>>1979

Pos	Part Number	Description	Remark	Qty	Model
		Expansion tank			
		Brake booster			
1	251 611 243	Sealing ring		1	
2	477 611 301 B	Expansion tank		1	924
(2)	477 611 301 C	Expansion tank		1	924
					M592
(2)	477 611 303	Expansion tank		1	924
					M471
3	477 611 361	Lid		1	
3A	477 611 351	Lid		1	M592
		with float			
5	211 611 381 B	Strainer		1	
(5)	477 611 385	Float		1	M592
7	N 024 510 1	Hose clamp		8	
7A	477 611 909	Elbow		1	924
8	803 611 933	Check valve		1	924
9	823 611 939 B	Vacuum hose		1	924
		600 MM			
(9A)	321 611 813 C	T-piece		1	
10	477 611 945	Intermediate piece		1	924
(10)	477 611 945 D	Intermediate piece		1	924
					M471
-	477 611 951	Gasket		1	924
		for			
		Intermediate piece			
11	477 612 107 B	Brake booster		1	924
		(TEVES)			
(11)	477 612 107 G	Brake booster		1	924
		(SCHAEFER)			
(11)	477 612 107 F	Brake booster		1	M471
12	N 011 008 8	Hexagon nut		9	
13	900 027 015 02	Lock ring		9	
13	900 027 015 03	Lock ring		9	
14	823 611 969 A	Sealing ring		1	924
		for			
		Bracket			
15	477 611 115	Bellows		1	924
		(TEVES)			
(15)	477 611 115 A	Bellows		1	924
		(SCHAEFER)			
16	211 611 817 A	Sealing plug		2	924

Model: 924 76

Model life 1976>>1979

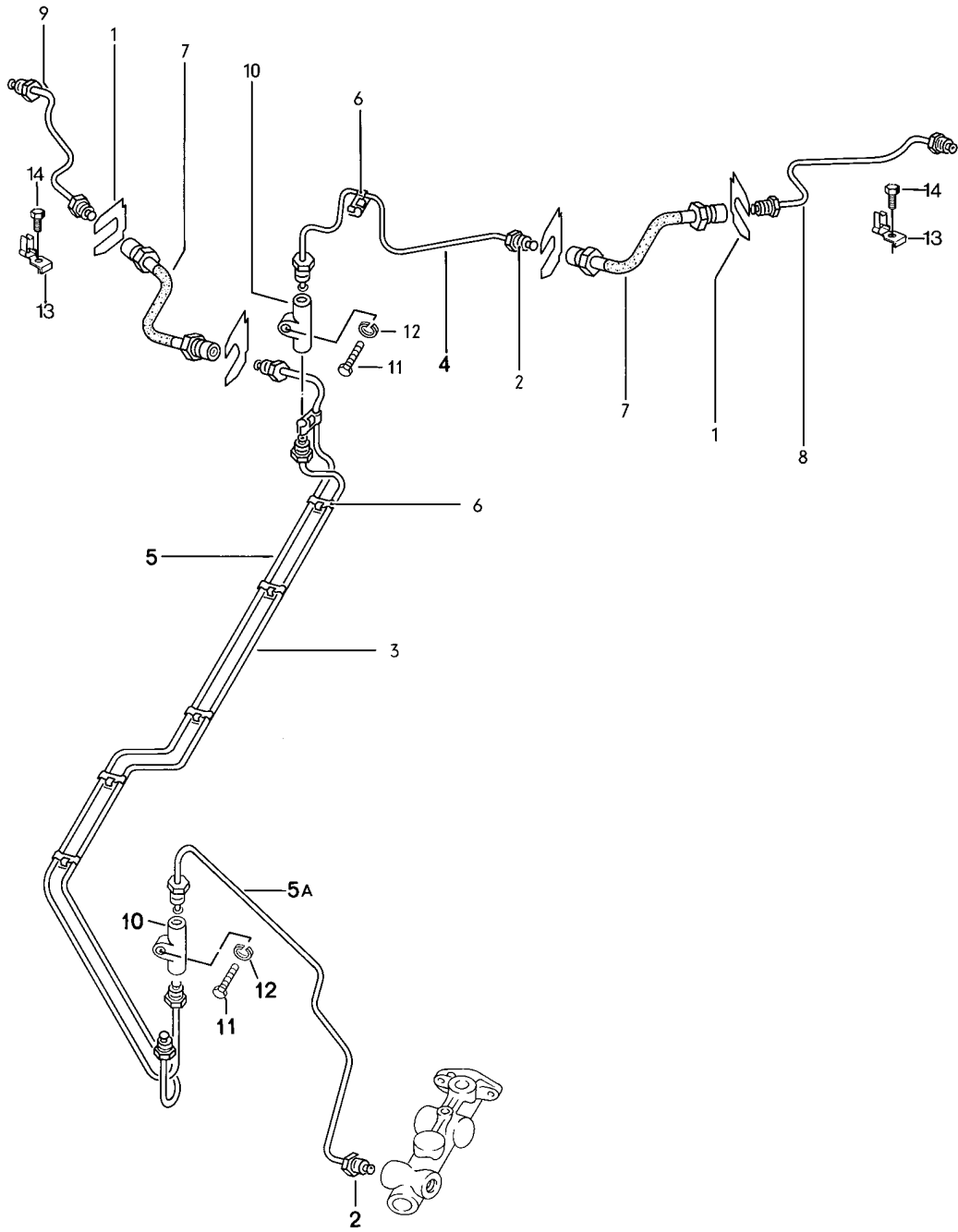


Model: 924 76 Model life 1976>>1979

Pos	Part Number	Description	Remark	Qty	Model
		Brake lines Front			
1	477 611 071 A	Brake hose		2	
1	477 611 071 E	Brake hose		2	
(1)	477 611 071 B	Brake hose		2	924 M471
(1)	477 611 071 F	Brake hose		2	924 M471
2	113 611 715 A	Brake hose bracket		2	
3	477 611 723	Brake line	/L	1	924
(3)	477 611 723 A	Brake line		1	924 M471
4	477 611 724	Brake line F >>92482 11638 F >>92483 30450	/R	1	
(4)	477 611 724 A	Brake line F 92492 00051>> F 92493 30051>>	/R	1	
6	477 611 739	Brake line F >>92482 11638 F >>92483 30450		1	
(6)	477 611 739 C	Brake line F 92492 00051>> F 92493 30051>>		1	924
(6)	477 611 739 B	Brake line		1	924 M471
8	113 611 755	Distributing piece		1	
9	477 611 767 B	Cable clip		2	
10	900 075 016 02	Hexagon-head bolt M 6 X 22		1	
10	900 075 016 03	Hexagon-head bolt M 6 X 22		1	
11	N 012 226 5	Spring washer		1	

Model: 924 76

Model life 1976>>1979



Model: 924 76 Model life 1976>>1979

Pos	Part Number	Description	Remark	Qty	Model
		Brake lines Rear			
1	113 611 715 A	Brake hose bracket		4	
3	477 611 741	Brake line	/L	1	
		F >>92482 01225			
		F >>92483 30098			
(3)	477 611 741 A	Brake line		1	924
		F 92482 01126>>			
		F 92483 30099>>			
		F >>92482 11638			
		F >>92483 30450			
(3)	477 611 741 B	Brake line		1	
		F 92492 00051>>			
		F 92493 30051>>			
4	477 611 745	Brake line	/L	1	
		F >>92482 01225			
		F >>92483 30098			
(4)	477 611 745 A	Brake line	/L	1	
		F 92482 01226>>			
		F 92483 30099>>			
5	477 611 746	Brake line		1	
		F >>92482 01225			
		F >>92483 30098			
(5)	477 611 746 A	Brake line		1	924
		F 92482 01226>>			
		F 92483 30099>>			
		F >>92482 11638			
		F >>92483 30450			
(5)	477 611 746 B	Brake line		1	
		F 92492 00051>>			
		F 92493 30051>>			
5A	477 611 744 A	Brake line		1	924
		F >>92482 11638			
		F >>92483 30450			
(5A)	477 611 744 B	Brake line		1	
		F 92492 00051>>			
		F 92493 30051>>			
6	477 611 767 B	Cable clip		14	
7	477 611 775	Brake hose		2	
7	944 355 081 00	Brake hose		2	
8	477 611 781	Brake line	/L	1	924
		F >>92482 01225			
		F >>92483 30098			
8		Brake line	/L	1	924
		F 92482 01226>>			
		F 92483 30099>>			
8	477 611 781 A	Brake line		1	924 M471
9	477 611 782	Brake line	/R	1	924
		F >>92482 01225			
		F >>92483 30098			
9		Brake line	/R	1	924
		F 92482 01226>>			
		F 92483 30099>>			
9	477 611 782 A	Brake line		1	924 M471
10	113 611 791	Connecting piece		2	
11	900 075 016 02	Hexagon-head bolt M 6 X 22		1	
11	900 075 016 03	Hexagon-head bolt M 6 X 22		1	
12	N 012 226 5	Spring washer		1	
13	477 611 783	Support		2	924



Model: 924 76

Model life 1976&gt;&gt;1979

Pos	Part Number	Description	Remark	Qty	Model
14	N 010 210 13	Hexagon-head bolt M 6 X 10		2	M471 924 M471

Model: 924 76

Model life 1976>>1979



Model: 924 76 Model life 1976>>1979

Pos	Part Number	Description	Remark	Qty	Model
>>	477 698 075 A	Repair kits Brake pad repair set - jurid - Comprising: Brake pad	/H	1	924
-	N 013 633 1	Rivet C 4 X 7,5		45	
>>	477 698 075 A	Brake pad repair set - energit - without asbestos Comprising: Brake pad	/H	1	
-	N 013 633 1	Rivet C 4 X 7,5		45	
>>	477 698 076 A	Brake pad repair set - jurid - Oversize 0.50 mm Comprising: Brake pad	/H	1	924
-	N 013 633 1	Rivet C 4 X 7,5		45	
>>	477 698 076 A	Brake pad repair set - energit - without asbestos Oversize 0.50 mm Comprising: Brake pad	/H	1	924
-	N 013 633 1	Rivet C 4 X 7,5		45	
>>	477 698 151 A	Brake pad repair set for Floating calliper Comprising: Brake pad	/V	1	924
-	803 615 269 C	Expanding spring		2	
-	803 615 261 B	Retaining pin		4	
>>	803 698 471 C	Gasket set for Floating calliper Comprising: Sealing ring	/V	2	924
		Circlip		1	
		Slide		1	
		Protection cap		2	
>>	477 698 051	Repair kit for Wheel brake cylinder 19.05 Comprising: Spring	/H	2	924
		Filler piece		1	
		Boot		2	
		Piston		2	
-	113 611 695 D	Protection cap		2	
>>	171 698 181 H	Repair kit for Brake master cylinder 20.64 (TEVES)		1	924
>>	477 698 155	Brake pad repair set (JURID 209, 380) Comprising:	/V	1	TURBO 924 M471

Model: 924 76 Model life 1976>>1979

Pos	Part Number	Description	Remark	Qty	Model
-	928 351 935 00	Brake pad		4	
-	928 351 935 00	Expanding spring		2	
-	928 351 936 00	Retaining pin		4	
-	901 351 955 10	Safety clip		4	
>>	944 351 951 02	Brake pad repair set Comprising:	/V	1	TURBO 924 M471
		Brake pad		4	
		(JURID 209*-238)			
>>	944 351 951 03	Brake pad repair set Comprising:	/V	1	TURBO 924 M471
		Brake pad		4	
		(JURID 209*-238)			
>>	944 351 951 02	Brake pad repair set without asbestos	/V	1	TURBO 924 M471
		Comprising:			
		Brake pad		4	
		(TEXTAR T400)			
>>	944 351 951 03	Brake pad repair set without asbestos	/V	1	TURBO 924 M471
		Comprising:			
		Brake pad		4	
		(TEXTAR T400)			
>>	944 351 952 01	Mounting parts Comprising:	/V	1	TURBO 924 M471
		Expanding spring		2	
		Retaining pin		4	
		Retaining spring		2	
		Safety seal		4	
>>	928 351 941 00	Gasket set for	/V	2	TURBO 924 M471
		Floating calliper			
		Comprising:			
		Gasket		1	
		Protection cap		1	
		Clamping ring		1	
>>	477 698 157	Brake pad repair set (JURID 231)	/H	1	TURBO 924 M471
		Comprising:			
		Brake pad		4	
-	928 352 935 00	Expanding spring		2	
-	928 351 936 00	Retaining pin		4	
-	928 352 937 00	Retaining spring		2	
>>	944 352 951 02	Brake pad repair set Comprising:	/H	1	TURBO 924 M471
		Brake pad		4	
		(JURID 231-223)			
>>	928 352 951 02	Brake pad repair set Comprising:	/H	1	TURBO 924 M471
		Brake pad		4	
		(JURID 231-223)			
>>	944 352 951 02	Brake pad repair set without asbestos	/H	1	TURBO 924 M471
		Comprising:			

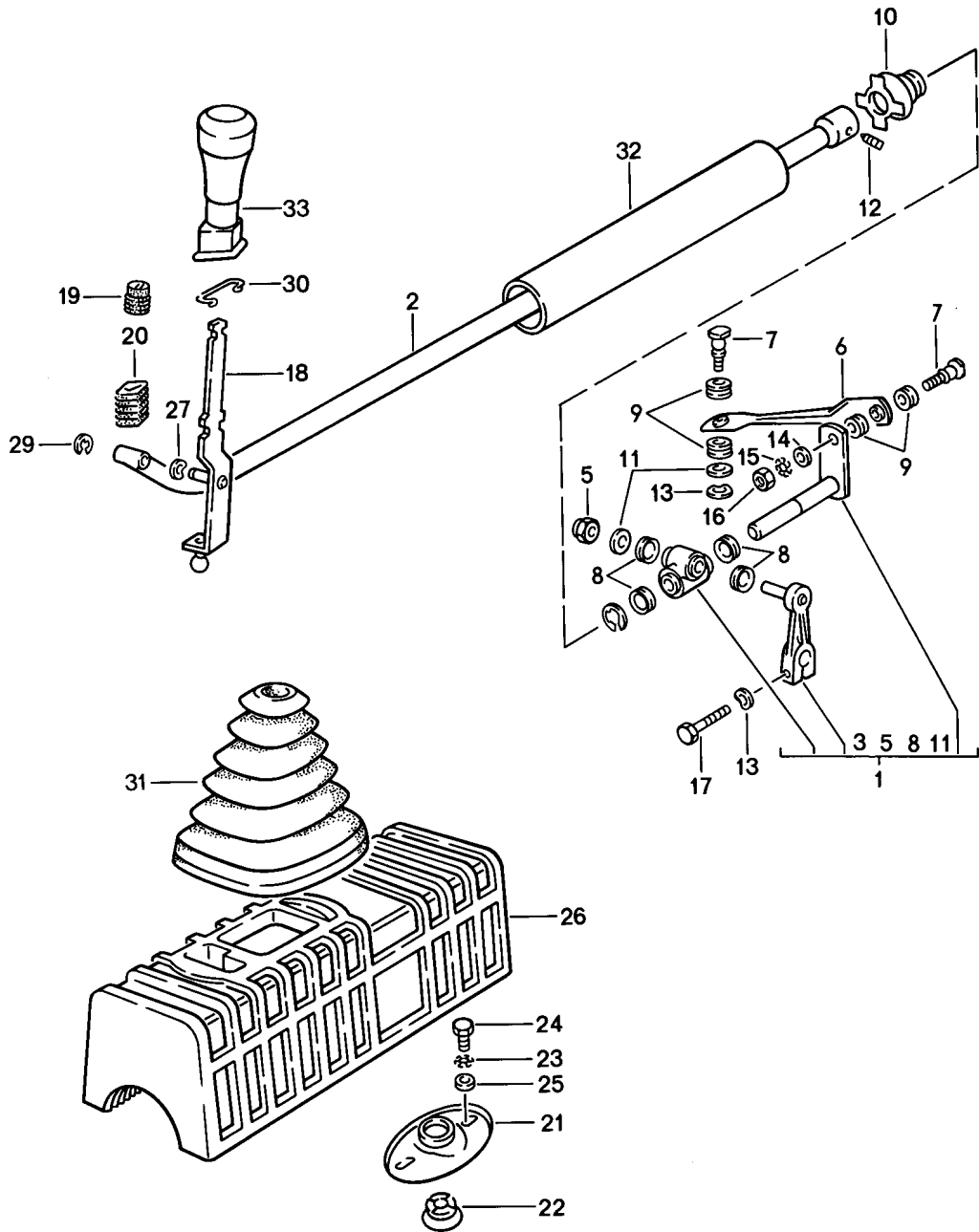
Model: 924 76

Model life 1976>>1979

Pos	Part Number	Description	Remark	Qty	Model
		Brake pad (TEXTAR T426)		4	
>>	928 352 951 02	Brake pad repair set without asbestos	/H	1	TURBO 924 M471
		Comprising: Brake pad (TEXTAR T426)		4	
>>	944 352 952 00	Mounting parts	/H	1	TURBO
		Comprising: Expanding spring		2	
		Retaining pin		4	
		Retaining spring		2	
		Safety seal		4	
>>	928 352 941 00	Gasket set	/H	2	TURBO
		Floating calliper			
		Comprising: Gasket		1	
		Protection cap		1	
		Circlip		1	
		Slide		2	
>>	928 355 913 00	Repair kit for Brake master cylinder		1	TURBO  924 M471
		23,81 MM			

Model: 924 76

Model life 1976>>1979

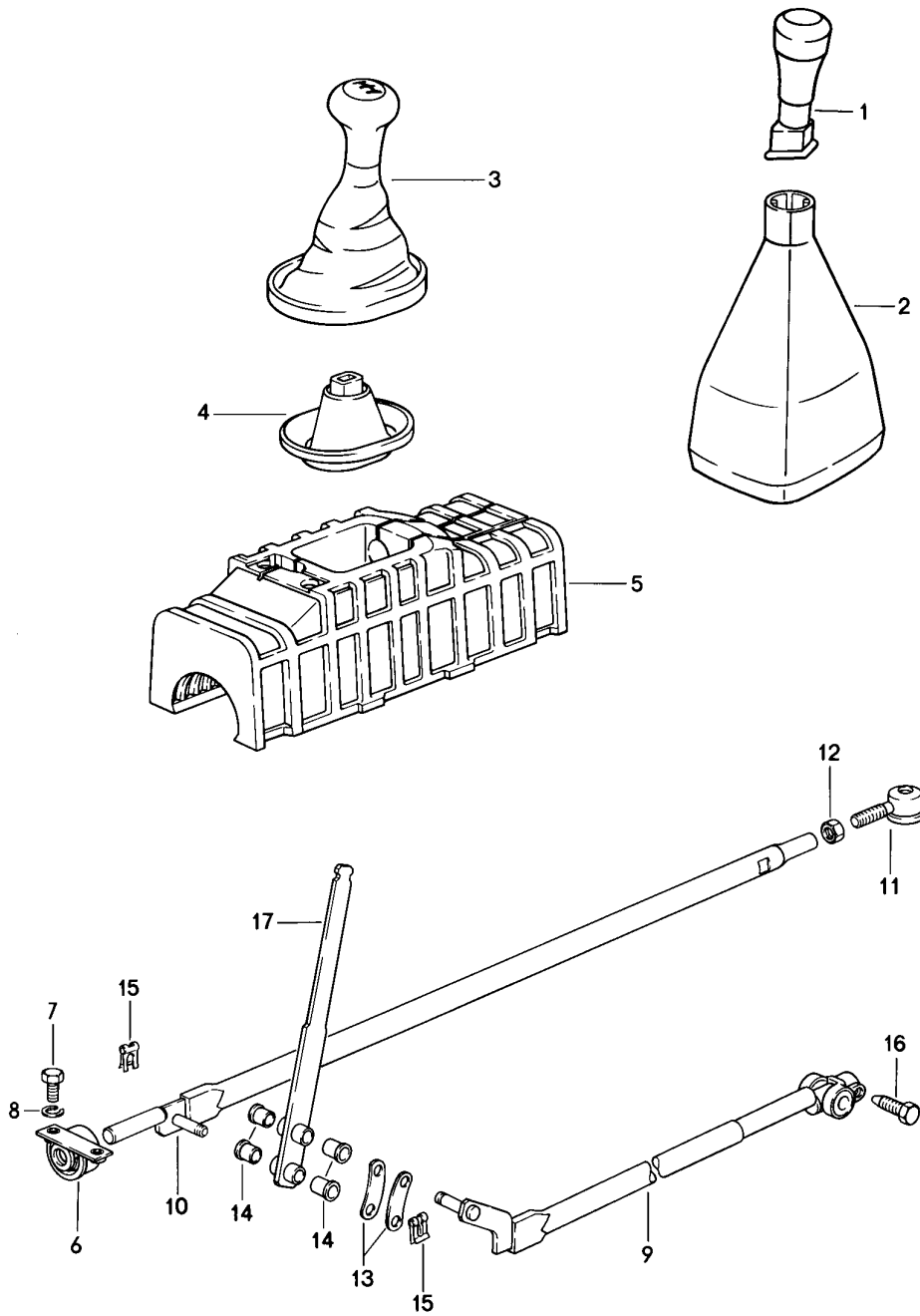


Model: 924 76 Model life 1976>>1979

Pos	Part Number	Description	Remark	Qty	Model
		Shift mechanism Manual transmission			924
1	477 711 103 B	Intermediate shift lever		1	
2	477 711 107 B	Gear shift rod		1	
(2)	944 424 019 00	Gear shift rod		1	
		Use also: 477.711.125.B			
-	477 711 103 C	Intermediate shift lever		1	
3	N 012 415 1	Circlip		1	
5	803 253 111	Lock nut		1	
6	944 424 141 00	Joint rod		1	
7	477 711 147 A	Ball pin		2	
8	477 711 149	Sealing ring		4	
9	477 711 155 A	Sealing ring		4	
10	477 711 159 A	Bellows		1	
11	311 827 181	Washer		2	
12	823 711 833	Hexagon-head bolt		1	
13	N 012 241 11	Spring washer		1	
14	N 011 525 13	Washer		1	
15	N 012 108 2	Serrated lock washer		1	
16	N 011 008 8	Hexagon nut		1	
17	N 010 233 6	Hexagon-head bolt M 8 X 28		1	
17	900 075 136 03	Hexagon-head bolt M 8 X 28		1	
18	477 711 205 D	Gearshift lever		1	
19	477 711 217	Vibration damper		1	
20	477 711 219	Vibration damper		1	
21	944 424 229 00	Bearing bracket		1	
22	944 424 231 01	Bearing shell		1	
23	N 012 108 2	Serrated lock washer		2	
24	N 010 237 6	Hexagon-head bolt M 8 X 12		2	
24	N 010 237 14	Hexagon-head bolt M 8 X 12		2	
25	N 011 525 13	Washer		2	
26	477 711 239	Sound absorber		1	
27	900 028 005 02	Spring washer		1	
29	N 012 437 1	Lock washer		1	
30	477 711 269	Retainer spring		1	
31	477 711 271 A	Bellows		1	
(31A)	477 711 252	Boot		1	M426
32	477 711 285	Protective tube		1	
33	477 711 289	Gearshift knob 4-speed		1	

Model: 924 76

Model life 1976>>1979



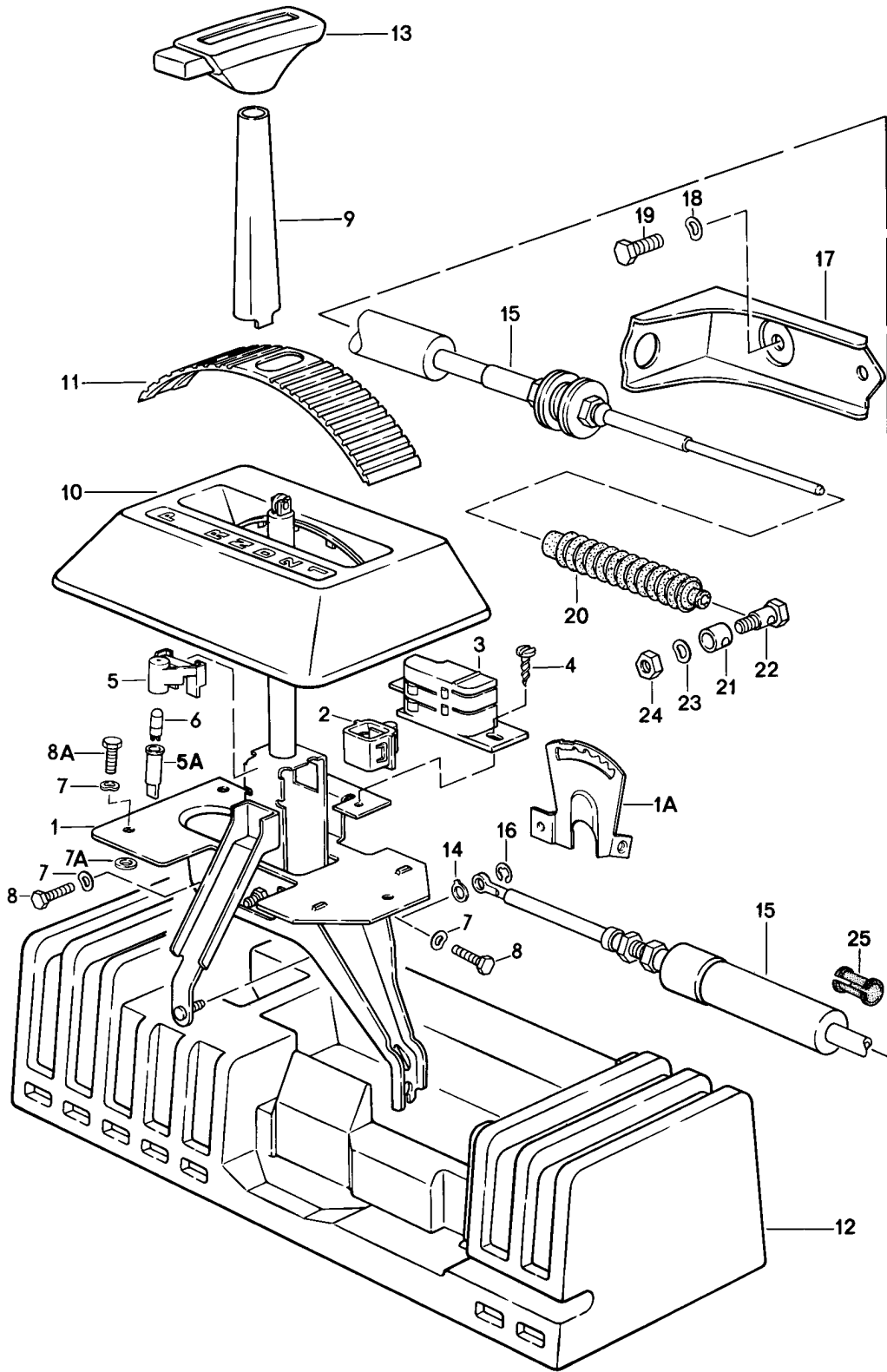


Model: 924 76 Model life 1976>>1979

Pos	Part Number	Description	Remark	Qty	Model
		Shift mechanism			924
		Manual transmission			M481
1	928 424 105 06	Gearshift knob		1	
2	477 711 251 B	Boot		1	
3	928 424 073 01	Gearshift knob		1	
		with			
		Boot			
	928 424 073 01 1AJ	Black			
	928 424 073 01 3NG	Brown			
4	477 711 270	Inner sleeve		1	
5	477 711 240	Insulation		1	
6	477 711 237 A	Bearing bracket		1	
7	N 010 210 13	Hexagon-head bolt		2	
		M 6 X 10			
8	N 012 226 5	Spring washer		2	
		A 6			
9	477 711 106	Gear shift rod		1	
-	964 424 223 00	Bush		2	
		for			
		Gear shift rod			
10	477 711 154	Guiding rod		1	
11	477 711 176 A	Angular joint		1	
12	900 034 003 02	Hexagon nut		1	
		BM 10			
13	477 711 216	Leaf spring		2	
14	999 924 002 40	Bush		4	
15	999 166 034 02	Sl-lock		2	
16	901 424 229 00	Conical screw		1	
17	477 711 206 B	Gearshift lever		1	

Model: 924 76

Model life 1976>>1979



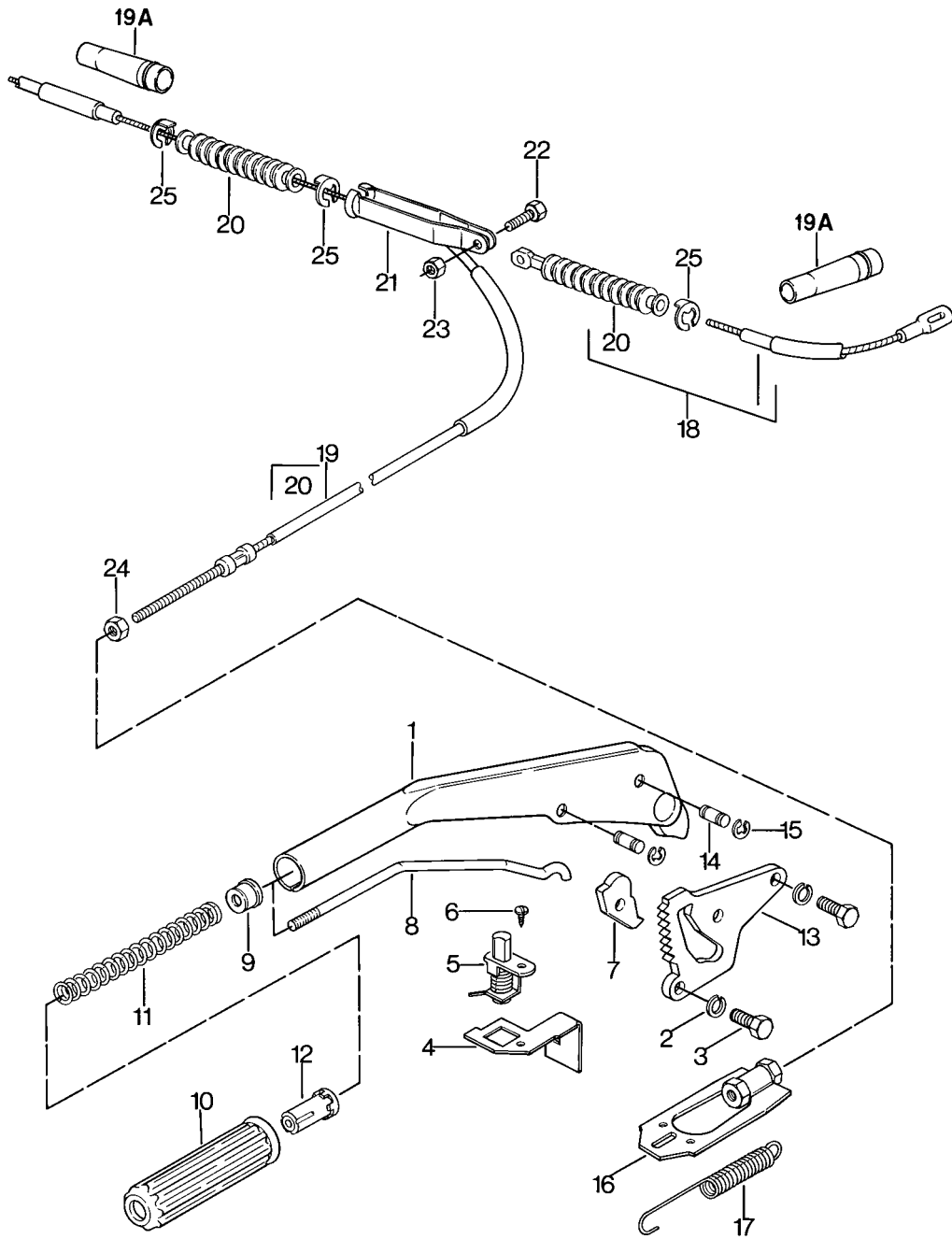
Model: 924 76

Model life 1976>>1979

Pos	Part Number	Description	Remark	Qty	Model
		Shift mechanism Automatic transmission			924
1	477 713 025 A	Shift mechanism		1	
1A	944 426 109 01	Detent		1	
2	171 927 145 A	Contacts		1	
3	311 927 147 B	Support for contact		1	
4	N 013 968 1	Oval-head sheetmetal screw B 4,8 X 13		2	
5	321 713 855 A	Bulb holder		1	
5A	111 919 243	Bulb socket		1	
6	900 631 132 90	Bulb		1	
7	N 012 226 5	Spring washer		5	
7A	N 900 067 01	Washer		3	
8	N 010 215 13	Hexagon-head bolt M 6 X 15		2	
8A	N 010 217 9	Hexagon-head bolt M 6 X 20		3	
9	477 713 279	Cover		1	
10	477 713 111	Cover		1	
	477 713 111 01C	Black			
	477 713 111 90V	Brown	-77		
	477 713 111 89S	Cadbury brown	77-		
11	477 713 277	Cover strip		1	
12	477 713 115	Sound absorber		1	
		Use			
(12)	944 426 182 01	Sound absorber		1	
		It is necessary to rework			
(12)	944 426 181 00	Sound absorber		1	
		It is necessary to rework			
13	321 713 139	Selector knob		1	
	321 713 139 899	Black			
14	473 867 471	Sealing ring		1	
15	477 713 265 A	Cable		1	
16	N 012 325 1	Lock washer		1	
17	477 713 281 A	Retaining bracket		1	
18	N 012 038 1	Lock ring		2	
19	N 010 240 16	Hexagon-head bolt M 8 X 20		2	
20	311 713 269 A	Bellows		1	
21	311 713 291 A	Clamping sleeve		1	
22	311 713 293	Clamping bolt		1	
23	N 012 241 11	Spring washer B 8 X 15		1	
24	N 011 118 14	Hexagon nut		1	
24	900 034 001 05	Hexagon nut		1	
25	431 609 781	Protective tube		2	

Model: 924 76

Model life 1976>>1979



Model: 924 76 Model life 1976>>1979

Pos	Part Number	Description	Remark	Qty	Model
1	477 711 305 B	Parking-brake lever		1	924
(1)	477 711 305 A	Parking-brake lever		1	924
		Parking-brake lever			M471
2	900 027 015 02	Lock ring		2	
2	900 027 015 03	Lock ring		2	
3	N 010 239 11	Hexagon-head bolt M 8 X 18		2	
3	N 010 239 30	Hexagon-head bolt M 8 X 18		2	
4	477 711 317	Support	/LL	1	
5	968 613 601 00	Contact switch		1	
6	N 013 957 5	Oval-head sheetmetal screw B 3,5 X 9,5		1	
7	823 711 321	Pawl		1	
8	481 711 325	Ratchet rod		1	
9	481 711 327	Spring sleeve		1	
10	839 711 327	Grip handle		1	
	839 711 327 01C	Black			
11	191 711 329	Compression spring		1	
	191 711 329 01C	Black			
	191 711 329 043	Brown			
12	113 711 333 B	Push button		1	
	113 711 333 B 01C	Black			
	113 711 333 B 043	Brown			
13	477 711 339 B	Tooth sector		1	924
(13)	944 424 252 00	Tooth sector		1	924
					M471
14	251 711 341 A	Bearing pin		2	
15	N 012 437 1	Lock washer		4	
16	477 711 973	Turnbuckle		1	
17	477 711 975	Return spring		1	
18	477 609 719	Parking-brake cable 995 MM		1	924
18	924 424 141 00	Parking-brake cable 995 MM		1	924
19	477 609 720	Parking-brake cable 2035 MM		1	924
18	477 609 719 C	Parking-brake cable 925 MM		1	924
					M471
18	924 424 143 00	Parking-brake cable 925 MM		1	924
					M471
19	477 609 720 C	Parking-brake cable 1975 MM		1	924
					M471
19	924 424 142 00	Parking-brake cable 1975 MM		1	924
					M471
19A	477 609 723	Guide tube		1	924
					M471
19A	924 424 524 00	Guide tube		1	924
					M471
-	N 020 906 3	Tie-wrap 6,5 X 450		2	
21	477 711 965	Compensating bow		1	
22	N 010 217 9	Hexagon-head bolt M 6 X 20		1	
23	900 910 012 02	Lock nut		1	
23	900 910 047 09	Lock nut		1	
24	900 076 010 02	Nut		1	
24	900 076 010 0B	Nut		1	

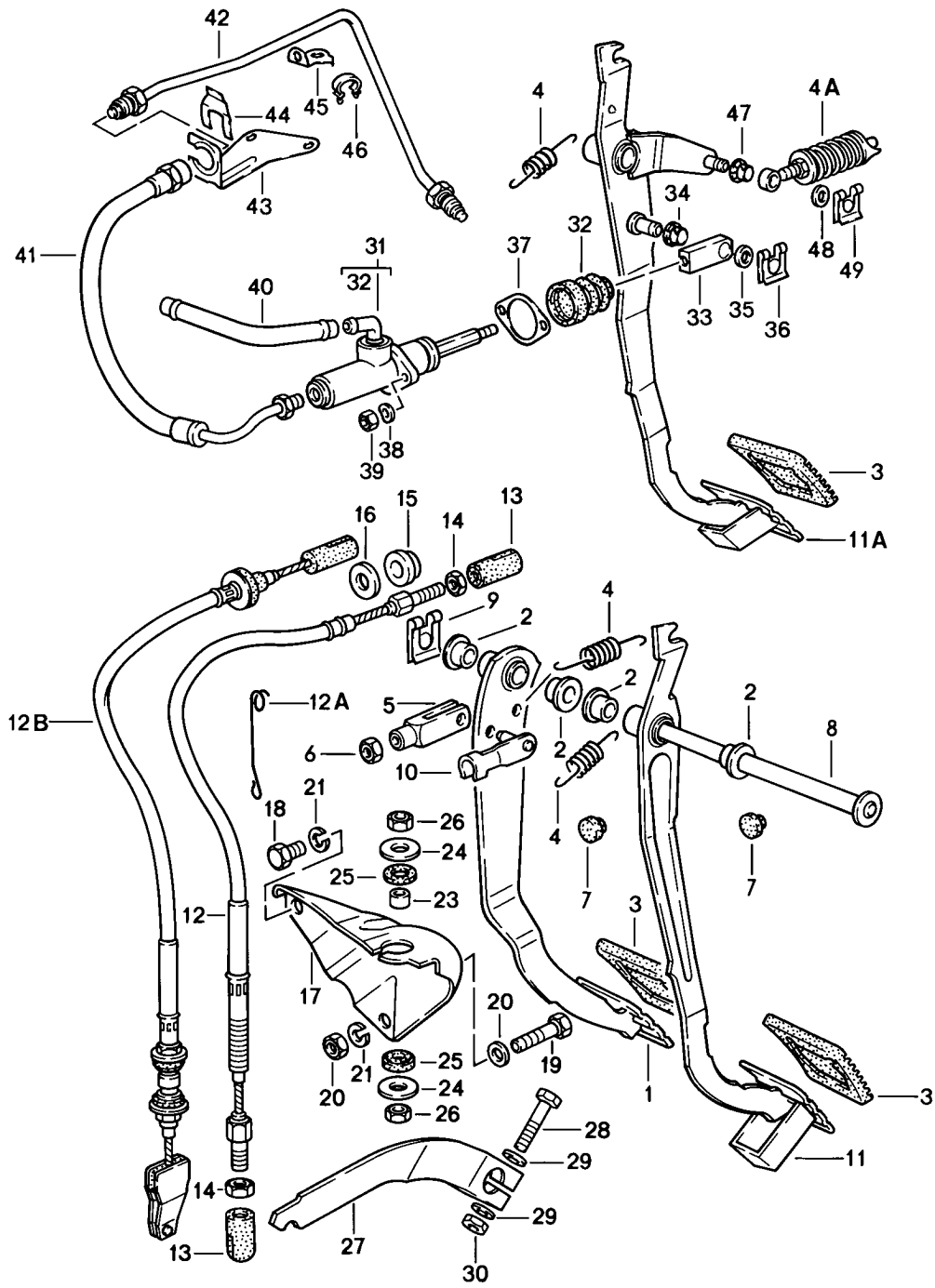
Model: 924 76

Model life 1976>>1979

Pos	Part Number	Description	Remark	Qty	Model
25 -	N 012 328 1 999 513 025 40	Lock washer Tie-wrap		1 2	

Model: 924 76

Model life 1976>>1979



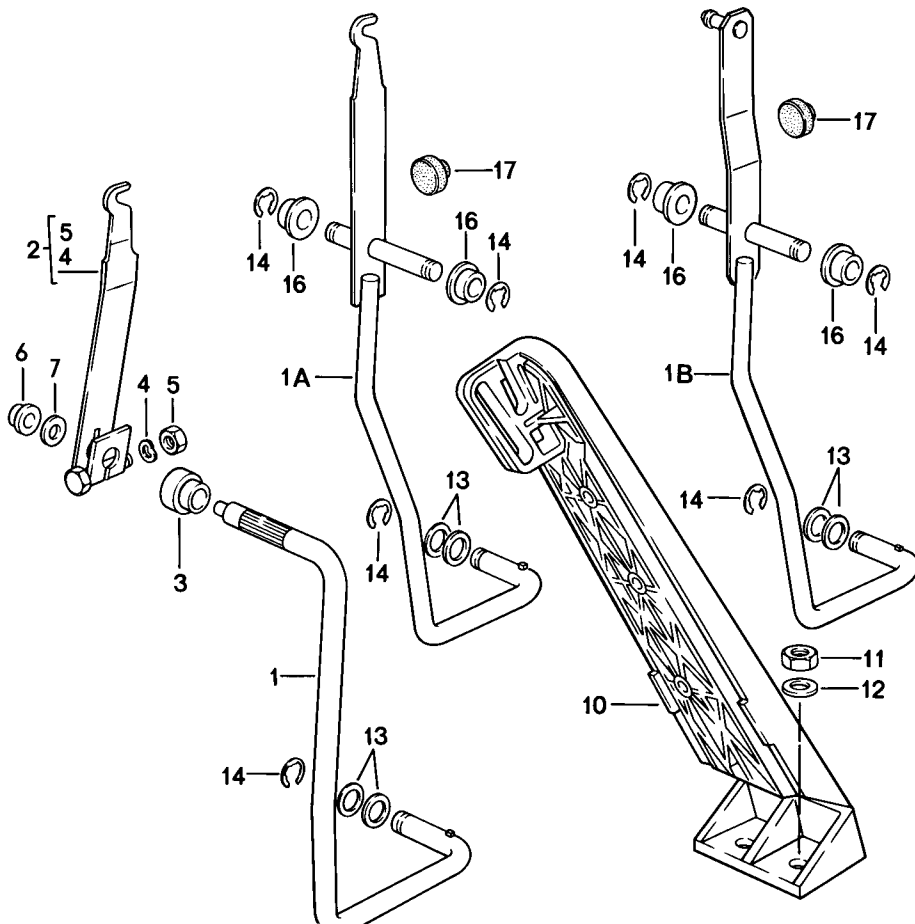
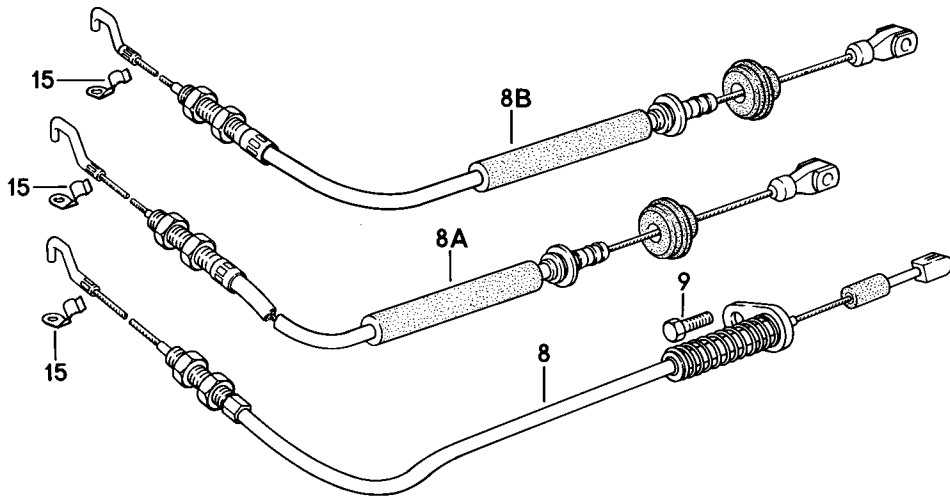
Model: 924 76 Model life 1976>>1979

Pos	Part Number	Description	Remark	Qty	Model
		Pedals			
		Brake			
		Clutch			
		Left-hand drive			
1	823 721 141	Brake pedal		1	
		F >>92482 01225			
		F >>92483 30098			
(1)	477 721 141	Brake pedal		1	
		F 92482 01226>>			
		F 92483 30099>>			
(1)	477 723 141	Brake pedal		1	AUT.
2	443 721 153 A	Bearing sleeve		4	
3	823 721 173	Cap		2	
(3)	827 723 173	Cap		1	AUT.
4	321 721 191	Return spring		2	
5	803 721 213	Clevis		1	
6	N 011 010 6	Hexagon nut		1	
6	N 101 552 10	Hexagon nut		1	
7	999 703 183 40	Buffer		2	
8	843 721 309	Bolt		1	
(8)	N 023 151 2	Bearing pin		1	AUT.
9	N 012 653 1	Lock washer		1	
10	N 023 476 1	Bolt		1	
11	477 721 315	Clutch pedal		1	
		F >>92482 01225			
		F >>92483 30098			
(11)	477 721 315 A	Clutch pedal		1	924
		F 92482 01226>>			
		F 92483 30099>>			
12	803 721 335 A	Clutch cable		1	
		F >>92492 03689			
		F >>92493 30200			
12B	477 721 333 B	Clutch cable		1	924
		F 92492 03690>>			
		F 92493 30201>>			
12A	477 721 391	Retainer spring		1	924
13	803 721 339	Threaded eye		2	
14	900 076 010 02	Nut		2	
14	900 076 010 0B	Nut		2	
15	803 721 393	Bush		1	
16	803 721 397	Washer		1	
		10,4 X 38 X 2,5			
17	477 721 399 A	Support		1	924
18	N 034 879 4	Hexagon-head bolt		1	924
		M 12 X 22			
19	N 010 476 3	Hexagon-head bolt		1	924
		M 12 X 75			
20	N 011 531 7	Washer		1	
21	N 012 042 4	Lock ring		2	
22	N 011 030 4	Hexagon nut		1	
23	803 721 341	Spacer sleeve		1	
24	803 721 369	Washer		2	
25	803 721 389	Bush		2	
26	N 021 281 1	Lock nut		2	
27	019 141 719	Clutch release lever		1	
28	N 040 262 2	Hexagon-head bolt		1	
		M 8 X 50			
29	N 015 401 4	Washer		2	
30	N 011 008 8	Hexagon nut		1	



Model: 924 76

Model life 1976>>1979

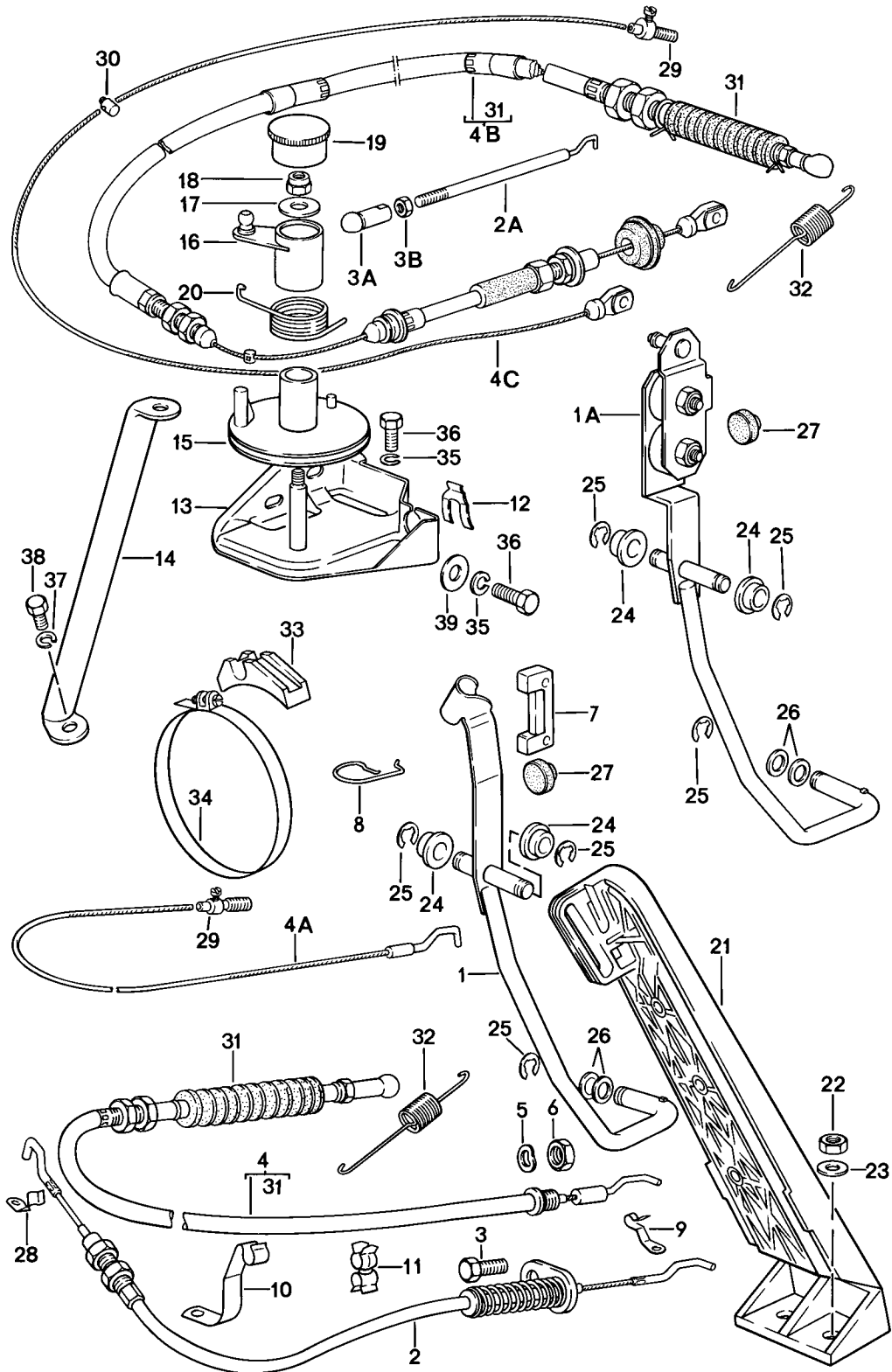


Model: 924 76 Model life 1976>>1979

Pos	Part Number	Description	Remark	Qty	Model
		Accelerator pedal			
		Accelerator cable			
		F >>92481 00776			
		F >>92482 01225			
		F >>92483 30098			
1	477 721 545	Accelerator lever shaft	/LL	1	
2	477 721 537	Lever	/LL	1	
3	321 721 543	Bearing sleeve	/LL	1	
4	N 012 105 3	Serrated lock washer		1	
		A 6,4			
5	900 076 010 02	Nut		1	
5	900 076 010 0B	Nut		1	
6	823 721 553	Bearing sleeve	/LL	1	
7	N 011 524 4	Washer		1	
		A 6,4			
8	477 721 547 B	Accelerator cable	/LL	1	
9	N 010 217 9	Hexagon-head bolt		1	
		M 6 X 20			
		F 92481 00777>>			
		F 92482 01226>>			
		F 92483 30099>>			
		F >>92481 09474			
		F >>92482 11638			
		F >>92483 30450			
1A	477 721 507	Accelerator control	/LL	1	
8	477 721 547 B	Accelerator cable	/LL	1	
9	N 010 217 9	Hexagon-head bolt		1	
		M 6 X 20			
		F 92491 00001>>			
		F 92492 00001>>			
		F 92493 00001>>			
1B	477 721 507 A	Lever	/LL	1	
1B	944 423 031 00	Accelerator pedal	/LL	1	
8A	477 721 547 F	Accelerator cable	/LL	1	924
			76-		
10	827 723 511 A	Accelerator pedal		1	
10	827 723 511 B	Accelerator pedal		1	
11	900 076 010 02	Nut		2	
11	900 076 010 0B	Nut		2	
12	803 817 121	Washer		2	
13	900 025 038 40	Washer		2	
14	N 012 436 2	Lock washer		3	
15	823 721 569	Retainer spring		1	
16	477 721 543	Bearing sleeve		2	
17	999 703 183 40	Buffer		1	

Model: 924 76

Model life 1976>>1979



Model: 924 76 Model life 1976>>1979

Pos	Part Number	Description	Remark	Qty	Model
		Accelerator pedal Accelerator cable			AUT.
			-78		
1	477 723 507 B	Lever	/LL	1	
2	477 721 547 D	Accelerator cable	/LL	1	
3	N 010 217 9	Hexagon-head bolt M 6 X 20		1	
4	477 723 557 C	Bowden control Control pressure	/LL	1	
4A	477 723 602	Cable	/LL	1	
5	N 012 230 6	Spring washer		1	
6	900 158 004 00	Hexagon nut M 10		1	
7	477 723 546	Lever		1	
8	477 723 551 A	Retaining spring		1	
9	477 723 571	Retainer spring		2	
10	431 721 346 A	Dual clamp		1	
11		Dual clamp		1	
1A	944 423 033 00	Accelerator pedal	/LL	1	
1A		Accelerator pedal	/LL	1	
2A	477 723 535	Throttle linkage		1	
3A	911 423 147 00	Ball socket		1	
3B	N 011 005 14	Hexagon nut		1	
3B	900 076 091 01	Hexagon nut		1	
4B	477 723 575 A	Accelerator cable	/LL	1	
		Accelerator control Control pressure			
4C	477 723 602 C	Cable	/LL	1	
12	N 012 323 1	Lock washer		1	
13	477 723 525	Support		1	
14	477 723 579	Bracket		1	
15	477 723 511	Deflection roller		1	
16	477 723 515	Accelerator control		1	
17	477 723 531	Washer		1	
18	113 251 273	Hexagon nut M 6		1	
19	999 659 045 40	Protection cap		1	
20	477 723 523	Steering knuckle spring		1	
35	N 012 226 5	Spring washer		3	
36	N 010 215 13	Hexagon-head bolt M 6 X 15		3	
37	N 012 228 3	Spring washer		1	
38	N 010 237 6	Hexagon-head bolt M 8 X 12		1	
38	N 010 237 14	Hexagon-head bolt M 8 X 12		1	
39	900 151 003 02	Washer		2	
39	900 151 006 03	Washer		2	
			76-		
21	827 723 511 A	Accelerator pedal		1	
21	827 723 511 B	Accelerator pedal		1	
22	900 076 010 02	Nut		2	
22	900 076 010 0B	Nut		2	
23	803 817 121	Washer		2	
24	477 721 543	Bearing sleeve		2	
25	N 012 436 2	Lock washer		3	
26	900 025 038 40	Washer		2	
27	999 703 183 40	Buffer		1	
28	823 721 569	Retainer spring		1	
29	477 723 601	Nipple		1	
30	477 723 611	Nipple		1	
31	311 713 269 A	Bellows		1	
32	477 723 563 A	Tension spring		1	

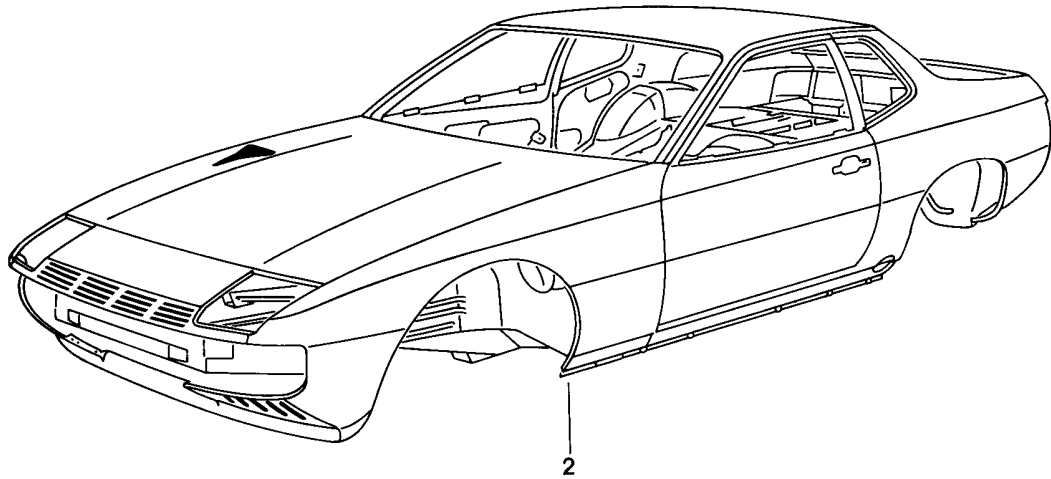
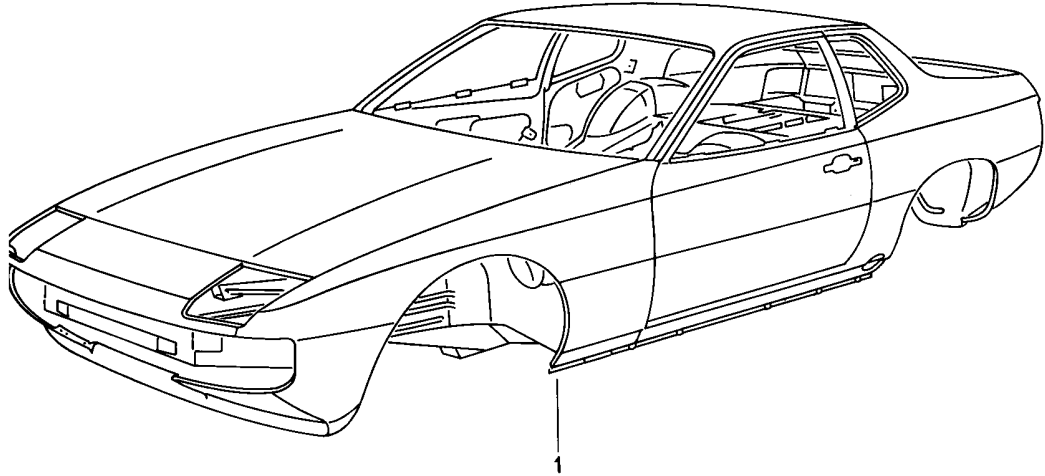
Model: 924 76

Model life 1976&gt;&gt;1979

Pos	Part Number	Description	Remark	Qty	Model
33	477 723 567	Support		4	
34	999 512 350 02	Hose clamp		4	

Model: 924 76

Model life 1976>>1979



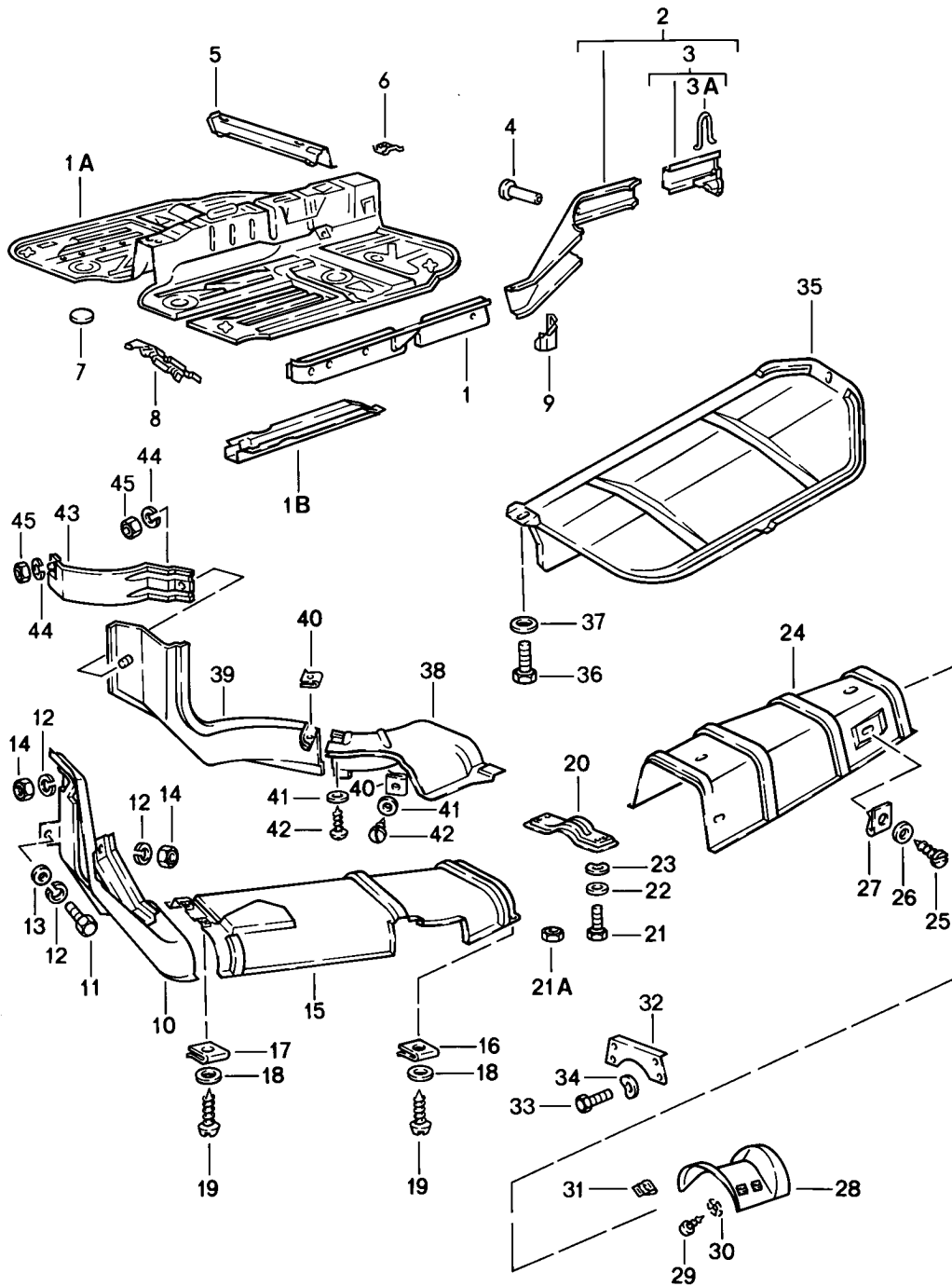
Model: 924 76

Model life 1976>>1979

Pos	Part Number	Description	Remark	Qty	Model
		Body in white with Lid Wing Doors Prime coated Sealed Underbody protection Sprayed with filler Bodyshells can only only available from current Model year available			

Model: 924 76

Model life 1976>>1979





Model: 924 76 Model life 1976>>1979

Pos	Part Number	Description	Remark	Qty	Model
1	477 803 103	Side member Heat shield	/L	1	
(1)	477 803 112	Side member Centre	/LL /R	1	
-	999 703 119 40	Stopper		8	
1A	944 501 501 00	Side member		1	
1B	477 803 283	Floor section		2	
2	477 803 105	Side member Centre Use also: 477.803.145 F >>92482 01225 F >>92483 30098	/L	1	924
2	477 803 105 A	Side member Use also: 477.803.145 F 92482 01226>> F 92483 30098>>	/L	1	
(2)	477 803 106	Side member Use also: 477.803.145 F >>92482 01225 F >>92483 30098	/R	1	924
(2)	477 803 106 A	Side member Use also: 477.803.145 F 92482 01226>> F 92483 30099>>	/R	1	
3	477 803 125 A	End piece	/L	1	
(3)	477 803 126	End piece	/R	1	
3A	477 803 129	Retaining bow		2	
4	477 803 145	Bush		2	
5	477 803 231	Cross member	/V /L	1	
(5)	477 803 232	Cross member	/V /R	1	
6	477 803 241	Bracket	/H	4	
7	411 803 595	Front seat Lid		2	
8	477 803 729	Foot support	/LL	1	
9	477 803 871	Bracket Use also: F >>92482 01225 F >>92483 30098	/L	1	924
9	477 803 871 A	Jacking point Use also: F 92482 01226>> F 92483 30099>>	/L	1	
(9)	477 803 872	Bracket Use also: F >>92482 01225 F >>92483 30098	/R	1	924
(9)	477 803 872 A	Jacking point Use also: F 92482 01226>> F 92483 30099>>	/R	1	
10	477 809 214 A	Separator		1	
11	999 072 005 09	Hexagon nut M 6 X 12		3	
11	999 072 005 01	Hexagon nut M 6 X 12		3	
12	N 012 006 4	Lock ring B 6		3	
13	N 011 524 7	Washer A 6,4		4	

Model: 924 76

Model life 1976&gt;&gt;1979

Pos	Part Number	Description	Remark	Qty	Model
13	N 011 524 27	Washer A 6,4		4	
14	900 076 010 02	Nut M 6		1	
14	900 076 010 0B	Nut M 6		1	
15	477 803 397	Heat shield	-78	1	
15	477 803 387	Heat shield	79-	1	
16	N 015 458 1	Speed nut B 4,8 X 19	-78	2	
16		Speed nut B 4,8 X 20	79-	2	
17		Speed nut B 4,8 X 20		2	
18	900 151 027 02	Washer B 5,3		4	
18	900 151 027 03	Washer B 5,3		4	
19	N 013 968 7	Tapping screw B 4,8 X 13		4	
19	900 143 097 01	Tapping screw B 4,8 X 13		4	
20	477 803 275	Transverse strut	-78	1	
(20)	477 803 253	Transverse strut	79-	1	
21	900 075 087 02	Hexagon-head bolt M 8 X 15	-78	4	
21	900 075 087 03	Hexagon-head bolt M 8 X 15		4	
21A	N 011 008 8	Hexagon nut M 8	79-	4	
22	N 011 670 1	Washer 8,1	-78	2	
(22)	N 011 525 13	Washer A 8,4	79-	4	
23	N 012 229 3	Spring washer A 8	-78	4	
(23)	900 027 015 02	Lock ring B 8	79-	4	
(23)	900 027 015 03	Lock ring B 8	79-	4	
24	477 803 875 A	Heat shield	-78	1	
(24)	477 803 869	Heat shield	79-	1	
25	900 187 015 02	Hexagon-head tapping screw B 6,3 X 16		4	
26	N 011 696 1	Washer B 8,1		4	
27	999 591 327 02	Speed nut B 6,3 X 25		4	
27	999 501 327 01	Speed nut B 6,3 X 25		4	
27	999 591 327 01	Speed nut B 6,3 X 25		4	
28	477 803 879	Heat shield	-78	1	
29	900 143 007 02	Oval-head sheetmetal screw B 4,2 X 13	-78	4	
29	900 073 507 01	Oval-head sheetmetal screw B 4,2 X 13		4	
29	900 143 007 02	Oval-head sheetmetal screw B 4,2 X 13	79-	2	
29	900 073 507 01	Oval-head sheetmetal screw B 4,2 X 13	79-	2	
30	900 115 004 01	Serrated lock washer A 4,3	-78	4	

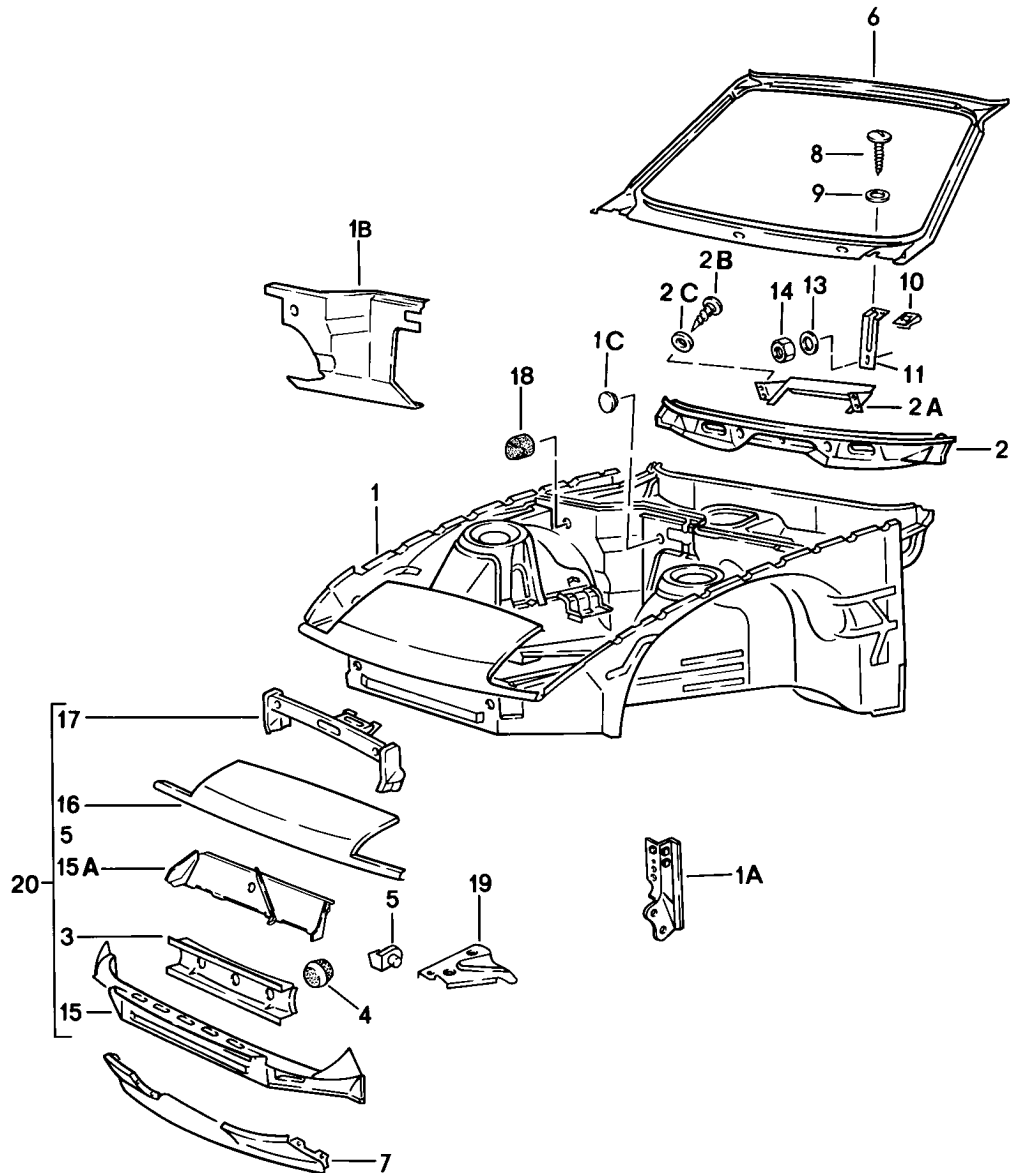
Model: 924 76

Model life 1976&gt;&gt;1979

Pos	Part Number	Description	Remark	Qty	Model
30		Serrated lock washer A 4,3	79-	2	
31	999 591 331 02	Speed nut	-78	4	
31		Speed nut	79-	2	
32	477 803 291	Transverse strut		2	
33	N 010 237 6	Hexagon-head bolt M 8 X 12		8	
33	N 010 237 14	Hexagon-head bolt M 8 X 12		8	
34	N 012 229 3	Spring washer A 8		8	
(35)	477 813 139 A	Heat shield	AUT.	1	
(35)	944 503 139 00	Heat shield Oval		1	
36	999 072 005 09	Hexagon nut M 6 X 12		3	
36	999 072 005 01	Hexagon nut M 6 X 12		3	
37	900 151 029 02	Washer 6,4		3	

Model: 924 76

Model life 1976>>1979

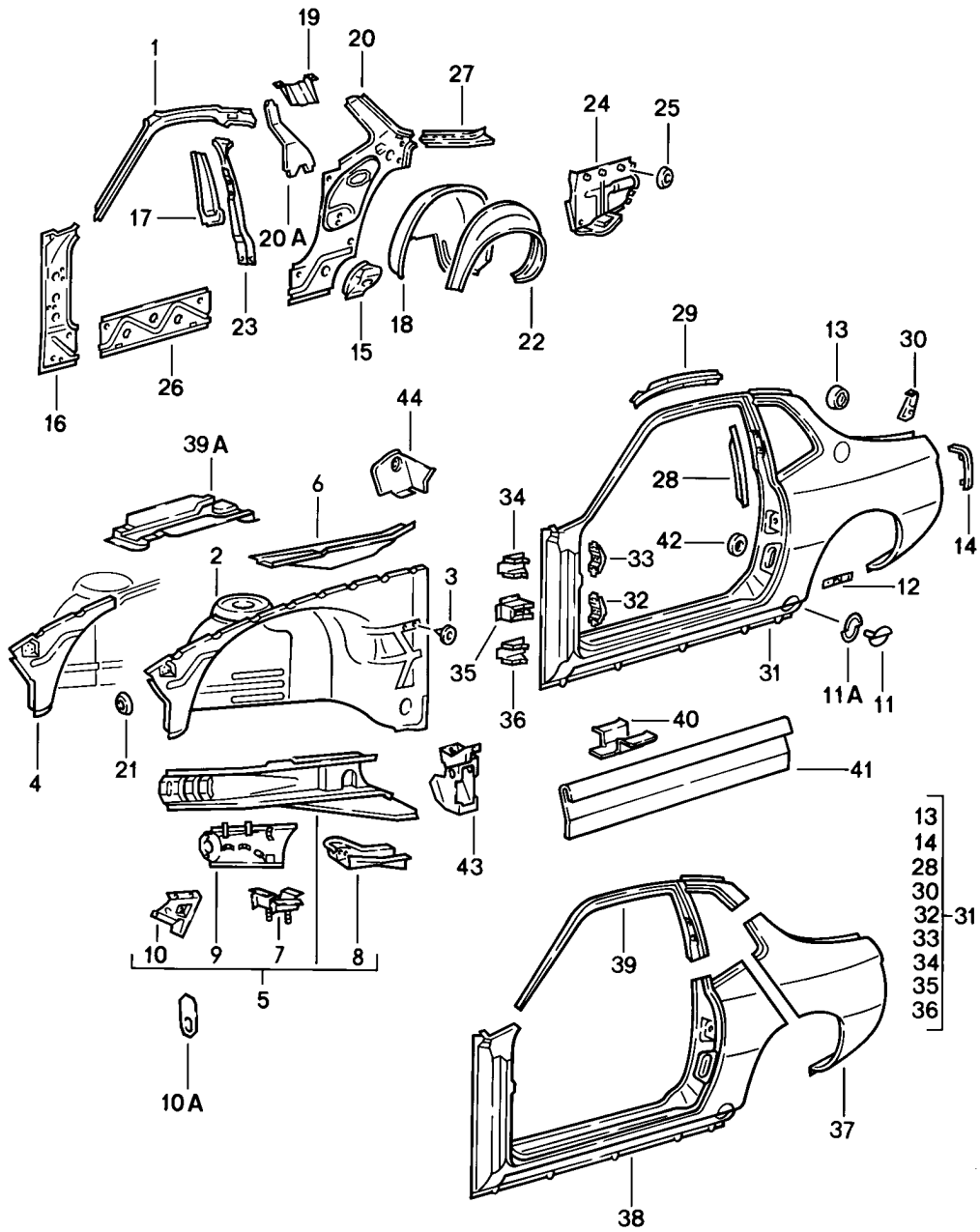


Model: 924 76 Model life 1976>>1979

Pos	Part Number	Description	Remark	Qty	Model
1	477 805 021 AS	Body front section Body front section without Carbon canister Use also: 999 703 103 40	/LL	1	924
1A	477 805 057 A	Reinforcement	/L	1	
(1A)	477 805 058 A	Reinforcement	/R	1	
(1B)	944 502 021 01	Cross panel	/L	1	
(1B)	944 502 202 00	Cross panel	/R	1	
2	944 502 079 00	Cross member	/LL	1	
3	477 805 477	Cross member	/V	1	
4	803 803 583	Rubber sleeve		3	
4	999 703 195 40	Rubber sleeve		3	
5	477 805 567	Bracket	/L	1	
(5)	477 805 568	Bracket	/R	1	
6	477 805 571 A	Windscreen frame		1	
7	944 503 035 01	Spoiler		1	924
8	900 143 046 07	Tapping screw 4,8 X 13		2	
9	N 011 527 12	Washer A 5,3		2	
9	900 025 081 01	Washer A 5,3		2	
10	N 015 436 1	Speed nut 4,8 X 14,8		2	
11	477 805 592	Cowl panel support		2	
-	N 010 215 13	Hexagon-head bolt M 6 X 12		2	924
13	N 011 666 7	Washer 6,1	-78	4	924
(13)	N 011 612 3	Washer R 7	79-	2	
(13)	N 011 612 C	Washer R 7	79-	2	
14	900 910 012 02	Lock nut M 6		2	
14	900 910 047 09	Lock nut M 6		2	
15	944 503 043 00	End plate Lower		1	
15A	944 502 061 00	Air guide		1	
16	477 805 593	End plate Upper When required order also: POS.5		1	924
17	944 501 933 01	Lock carrier		1	
18	477 805 667	Water drain valve		2	
19	477 805 699	Corner plate	/L	1	M573
(19)	477 805 682	Corner plate F >>92482 01225 F >>92483 30098	/R (CDN) (USA) (J)	1	924
20	477 805 591	Terminal piece Complete		1	924

Model: 924 76

Model life 1976>>1979



Model: 924 76 Model life 1976>>1979

Pos	Part Number	Description	Remark	Qty	Model
1	477 809 037	Side section Separator Inner	/L	1	
(1)		Separator	/L	1	M650
(1)	477 809 038	Separator	/R	1	
(1)		Separator	/R	1	
-	311 881 945 A	Stopper		3	
2	477 809 103 D	Wheel housing without Carbon canister Use also: 999.703.103.40	/L	1	
(2)	477 809 104 D	Wheel housing	/R	1	
3	N 020 025 1	Stopper		3	924
4	477 809 105	Sub-part	/L	1	
(4)	477 809 108 C	Wheel housing	/R -78	1	924
(4)		Wheel housing	/R 79-	1	
(5)	477 809 111 H	Side member	/L -78	1	924
(5)	477 809 111 M	Side member	/L -78	1	924
(5)	477 809 112 M	Side member	/R -78	1	924
(5)	477 809 111 Q	Side member	/L 79-	1	
(5)	477 809 112 Q	Side member	/R 79-	1	
6	477 809 119	Side member Upper	/LL /L	1	924
(6)	477 809 120	Side member Upper	/LL /R	1	
7	477 809 151	Bracket		2	
8	477 809 165	Bracket F >>92482 05499 F >>92483 30253	/L	1	924
8	477 809 165 A	Bracket F 92482 05500>>92482 11638 F 92483 30254>>92483 30450	/L -78	1	
8	951 501 165 00	Closing element	/L 79-	1	
(8)	477 809 166	Bracket F >>92482 05499 F >>92483 30253			
(8)	477 809 166 A	Bracket F 92482 05500>>92482 11638 F 92483 30254>>92483 30450	/R -78	1	
(8)	951 501 166 00	Closing element	/R 79-	1	
(9)	944 501 081 00	Filler plate	/L	1	
(9)	944 501 082 00	Filler plate	/R	1	
10	477 809 221 A	Separator	/L	1	
(10)	477 809 268 B	Separator	/R	1	
-	477 809 525	Towing lug	/L	1	
10A	477 809 035	Support Water reservoir	/R (J)	1	
11	477 809 335	Lid F >>92482 01225 F >>92483 30098		2	924
(11A)	477 809 336	Gasket F >>92482 01225 F >>92483 30098		2	924
12	477 809 341	Clamping spring F >>92482 01225 F >>92483 30098		2	924
13	477 809 355	Pot Tank filler neck		1	
14	477 809 375 A	Support	/L	1	
14		Support	/L	1	
(14)	477 809 376 A	Bracket for light	/R	1	
(14)		Bracket for light	/R	1	

Model: 924 76 Model life 1976>>1979

Pos	Part Number	Description	Remark	Qty	Model
15	477 809 387	Corner plate F >>92482 01225	/L	1	924
15	477 809 387 A	Corner plate F >>92483 30098 F 92482 01226>> F 92483 30099>>	/L	1	
(15)	477 809 388	Corner plate F >>92482 01225 F >>92483 30098	/R	1	924
(15)	477 809 388 A	Corner plate F 92482 01226>> F 92483 30099>>	/R	1	
16	477 809 393 A	Hinge pillar Inner	/L	1	
(16)	477 809 394 A	Hinge pillar Inner	/R	1	
17	477 809 397	Centre pillar Inner	/L	1	
(17)	477 809 398	Centre pillar Inner	/R	1	
18	477 809 403	Wheel housing Inner F >>92482 01225 F >>92483 30098	/L	1	924
18	477 809 403 F	Wheel housing Inner F 92482 01226>>92482 11638 F 92483 30099>>92483 30450	/L	1	924
(18)		Wheel housing Inner	/L 79	1	
(18)	477 809 404	Wheel housing Inner F >>92483 30098	/R (J)	1	924
(18)	477 809 404 A	Wheel housing Inner F >>92482 01225	/R (USA) (CDN)	1	924
(18)	477 809 404 H	Wheel housing Inner F 92482 01226>>92482 11638 F 92483 30099>>92483 30450	/R	1	924
(18)		Wheel housing Inner	/R	1	
-	477 809 852 A	Bracket Filler neck See workshop manual		1	
19	477 809 205	Mounting Fuel pump	-78	1	924
19	477 809 205 B	Mounting Fuel pump		1	924
20	944 502 901 00	Side section Inner	/L -78	1	924
(20)	944 502 902 00	Side section	/R -78	1	924
20	944 502 901 00	Side section	/L 79	1	
(20)	944 502 902 00	Side section	/R 79	1	
20A	477 809 427	Closing element	/L (CDN) (USA)	1	
(20A)	477 809 428	Closing element	/R (CDN) (USA)	1	
21	803 803 583 A	Stopper		6	
21	999 703 196 40	Lid		6	
22	477 809 411 B	Wheel housing Outer	/L -78	1	924
(22)	477 809 412	Wheel housing	/R -78	1	924



Model: 924 76 Model life 1976>>1979

Pos	Part Number	Description	Remark	Qty	Model
22	477 809 411 B	Wheel housing	/L 79	1	
(22)	477 809 412 B	Wheel housing	/R 79	1	
23	477 809 415	Reinforcement	/L	1	
(23)	477 809 416	Reinforcement	/R	1	
24	477 809 421 A	Side section	/L	1	
		Inner			
(24)	477 809 422 A	Side section	/R	1	
		Inner			
25	803 803 583 A	Stopper		8	
25	999 703 196 40	Lid		8	
26	477 809 433	Separator		2	
26	477 809 433 00	Separator		2	
27	944 502 439 00	Reinforcement		1	
(27)	477 809 440	Reinforcement		1	
28	477 809 445	Reinforcement	/L	1	
(28)	477 809 446	Reinforcement	/R	1	
29	477 809 585	End piece	/L	1	
		Roof frame			
		Inner			
(29)	477 809 586	End piece	/R	1	
		Roof frame			
		Inner			
30	477 809 617	Retaining bracket	/L	1	
(30)	477 809 618	Retaining bracket	/R	1	
(31)	477 809 601 AA	Side section	/L (J)	1	924
		See workshop manual			
(31)	477 809 601 AB	Side section	/L (CDN) (USA)	1	
		See workshop manual			
(31)	477 809 602 BE	Side section	/R (J)	1	924
		See workshop manual			
(31)	477 809 602 A	Side section	/R (CDN) (USA)	1	
		F >>92482 01225			
(31)	477 809 602 BH	Side section	/R (CDN) (USA)	1	
		F 92482 01226>>			
32	477 809 619	Mounting plate		1	
(32)	477 809 620	Mounting plate		1	
33	477 809 653	Bearing bracket		2	
34	477 809 655	Hinge reinforcement		2	
		Upper			
35	477 809 625	Reinforcement		2	
36	477 809 621	Hinge reinforcement	/L	1	
		Lower			
(36)	477 809 622	Hinge reinforcement	/R	1	
		Lower			
37	477 809 843	Sub-part	/L (J) -78	1	
(37)	477 809 843 B	Sub-part	/L (J) 79	1	
(37)	477 809 843 G	Sub-part	/L (CDN) (USA)	1	
(37)	477 809 844 F	Sub-part	/R (J) -78	1	
(37)	477 809 844 B	Sub-part	/R (J) 79	1	
(37)	477 809 844 A	Sub-part	/R (CDN) (USA)	1	
			-78		
(37)	477 809 844 G	Sub-part	/R (CDN) (USA)	1	
			79		
(38)	477 809 847 B	Side member section	/L	1	
		See workshop manual			
		POS. 41			
(38)	477 809 848 B	Side member section	/R	1	
		See workshop manual			
39	477 809 849 A	Sub-part	/L	1	

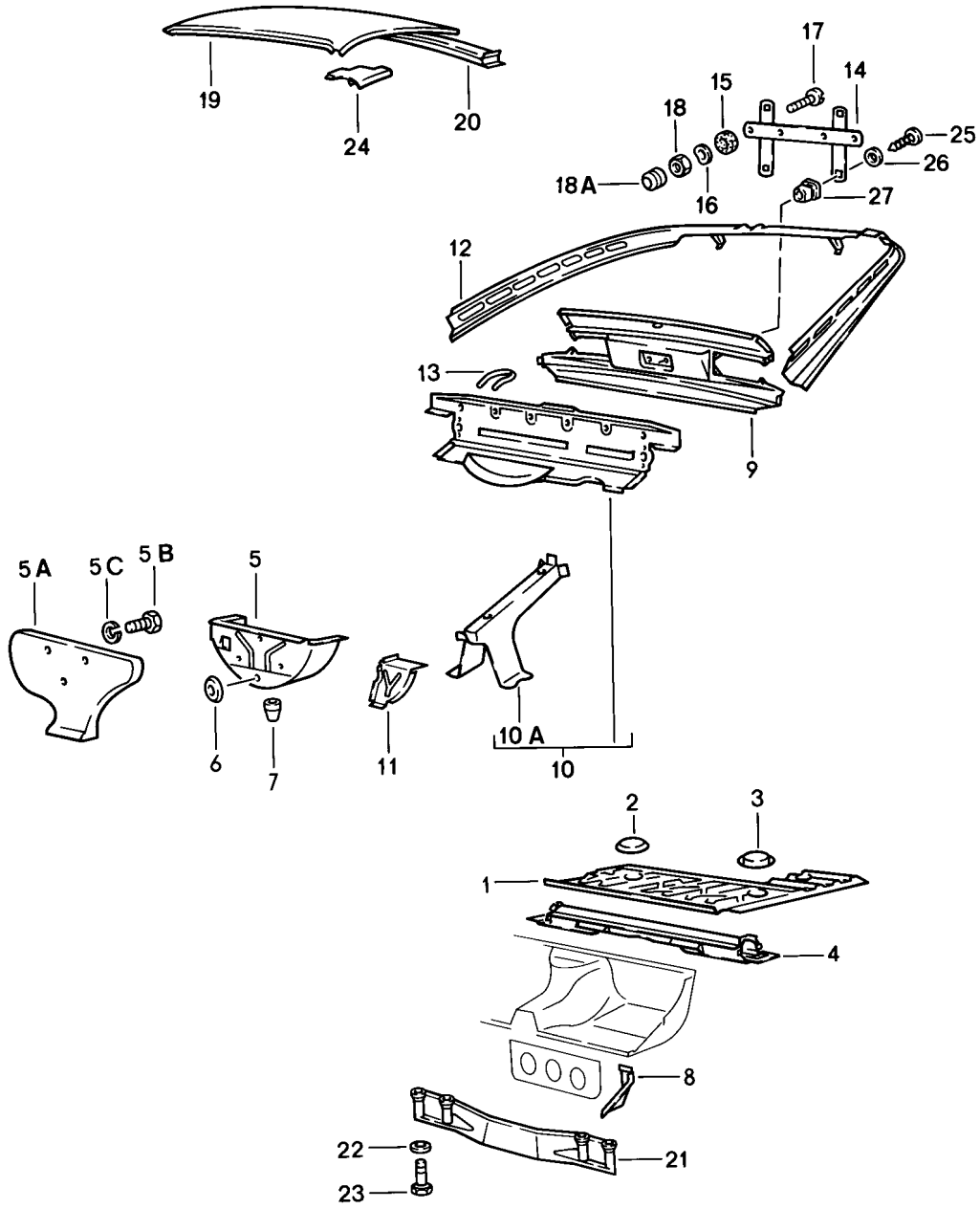
Model: 924 76

Model life 1976>>1979

Pos	Part Number	Description	Remark	Qty	Model
(39)	477 809 850 A	Roof pillar Sub-part	/R	1	
(39A)	477 809 865 A	Roof pillar Bracket	-78	1	
39A	477 809 867 B	Bracket	79	1	
-	477 809 595	Support Control unit	79	1	
42	999 025 074 02	Washer See workshop manual		2	
42	999 025 074 01	Washer See workshop manual		2	

Model: 924 76

Model life 1976>>1979



Model: 924 76 Model life 1976>>1979

Pos	Part Number	Description	Remark	Qty	Model
		Transmission carrier			
		Boot floor plate			
		Roof			
1	944 501 075 00	Floorpan		1	
2	477 803 581	Lid		1	
		Tank gauge			
3	411 803 595	Lid		1	
4	477 813 115 B	Transmission carrier	-77	1	924
4		Transmission carrier	78	1	
(4)	477 813 115 C	Transmission carrier	79	1	
5	477 813 131	Spare-wheel well	/V	1	
5A	477 813 187	Impact absorber plate	(CDN) (USA)	1	
5B	N 010 239 11	Hexagon-head bolt	(CDN) (USA)	3	
		M 8 X 18			
5B	N 010 239 30	Hexagon-head bolt	(CDN) (USA)	3	
		M 8 X 18			
5C	900 027 015 02	Lock ring	(CDN) (USA)	3	
5C	900 027 015 03	Lock ring	(CDN) (USA)	3	
6	803 803 583	Rubber sleeve		3	
6	999 703 195 40	Rubber sleeve		3	
7	111 701 309	Water drain sleeve		1	
8	477 813 145	Corner panel	/L	1	924
		Heel plate			
		F >>92482 01225			
		F >>92483 30098			
8	477 813 145 B	Corner plate	/L	1	
		F 92482 01226>>			
		F 92483 30099>>			
8		Corner plate	/L	1	
(8)	477 813 146	Corner plate	/R	1	924
		Heel plate			
		F >>92482 01225			
		F >>92483 30098			
(8)	477 813 146 B	Corner plate	/R	1	
		F 92482 01226>>			
		F 92483 30099>>			
(8)		Corner plate	/R	1	
9	944 503 037 01	End plate		1	
-	477 813 345	Reinforcement	/L	1	924
-	477 813 346	Reinforcement	/R	1	924
10	944 503 901 01	End plate		1	
		Lower			
-	477 813 169	Fastening angle	/L	1	
		Scissors type jack			
-	477 813 170	Fastening angle	/R	1	
		Scissors type jack			
-	477 813 165	Support		1	
10A	477 813 393 A	Support		1	
		Muffler			
11	477 813 309	Corner panel	/L	1	
(11)	944 502 210 00	Corner panel	/R	1	
11A	477 813 159	Support		1	
		Emergency wheel			
(12)	477 813 315	Lock carrier		1	
		See group			
		8/01/15			
		POS.27			
		F >>92472 05780			
		F >>92473 00212			
12	944 502 035 02	Lock carrier		1	
		with			
		Reinforcement			
		F 92472 05781>>			

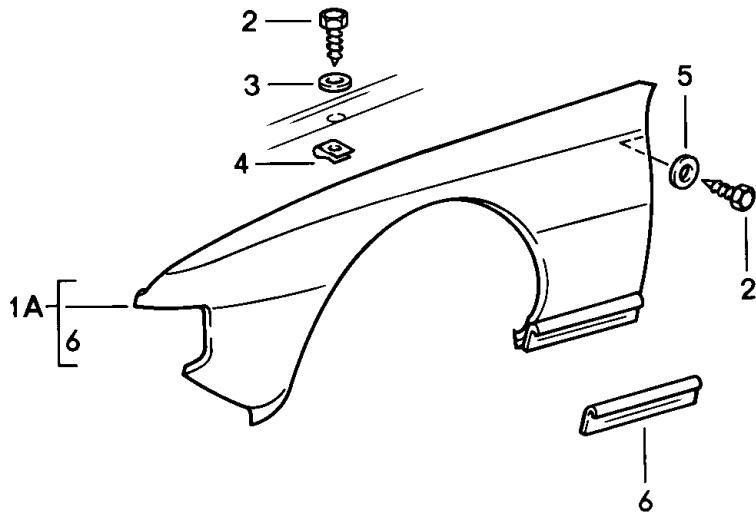
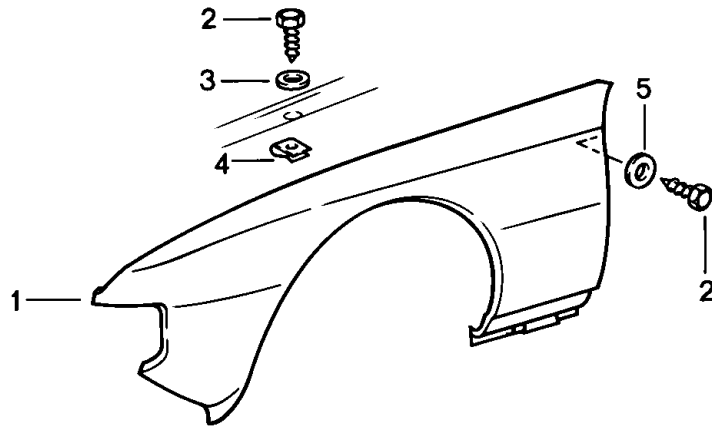
Model: 924 76

Model life 1976>>1979

Pos	Part Number	Description	Remark	Qty	Model
-	951 512 447 00	F 92473 00213>> Reinforcement plate Lock carrier		2	
13	477 813 529	Towing lug		1	
14	928 701 050 03	Support	(J) (USA)	1	
		Number plate	(CH)		
15	803 011 243	Rubber washer		2	
15		Rubber washer		2	
16	N 012 226 5	Spring washer A 6		2	
(16)	900 151 027 03	Washer A 5,3		2	
17	N 014 140 5	Oval-head screw M 6 X 15		2	
18	900 076 010 02	Nut M 6		2	
18	900 076 010 0B	Nut M 6		2	
18	900 084 026 01	Lock nut M 5	(J) (USA) (CH)	2	
(19)	944 503 912 01	Roof		1	M650
(19)		Roof		1	M650
19	477 817 111 B	Roof		1	
20	477 817 171	Cross member		1	
21	477 813 285	Transverse strut Seat well		1	
		F 92482 01226>> F 92483 30099>>			
22	900 074 181 02	Screw M 10 X 95		4	
23	900 025 008 09	Washer 10,5		4	
23	900 025 008 04	Washer 10,5		4	
25	900 143 134 00	Tapping screw BZ 4,2 X 9,5	(J) (USA) (CH)	4	
26	N 011 522 8	Washer 4,3	(J) (USA) (CH)	4	
27	999 591 498 40	Special nut	(J) (USA) (CH)	4	

Model: 924 76

Model life 1976>>1979



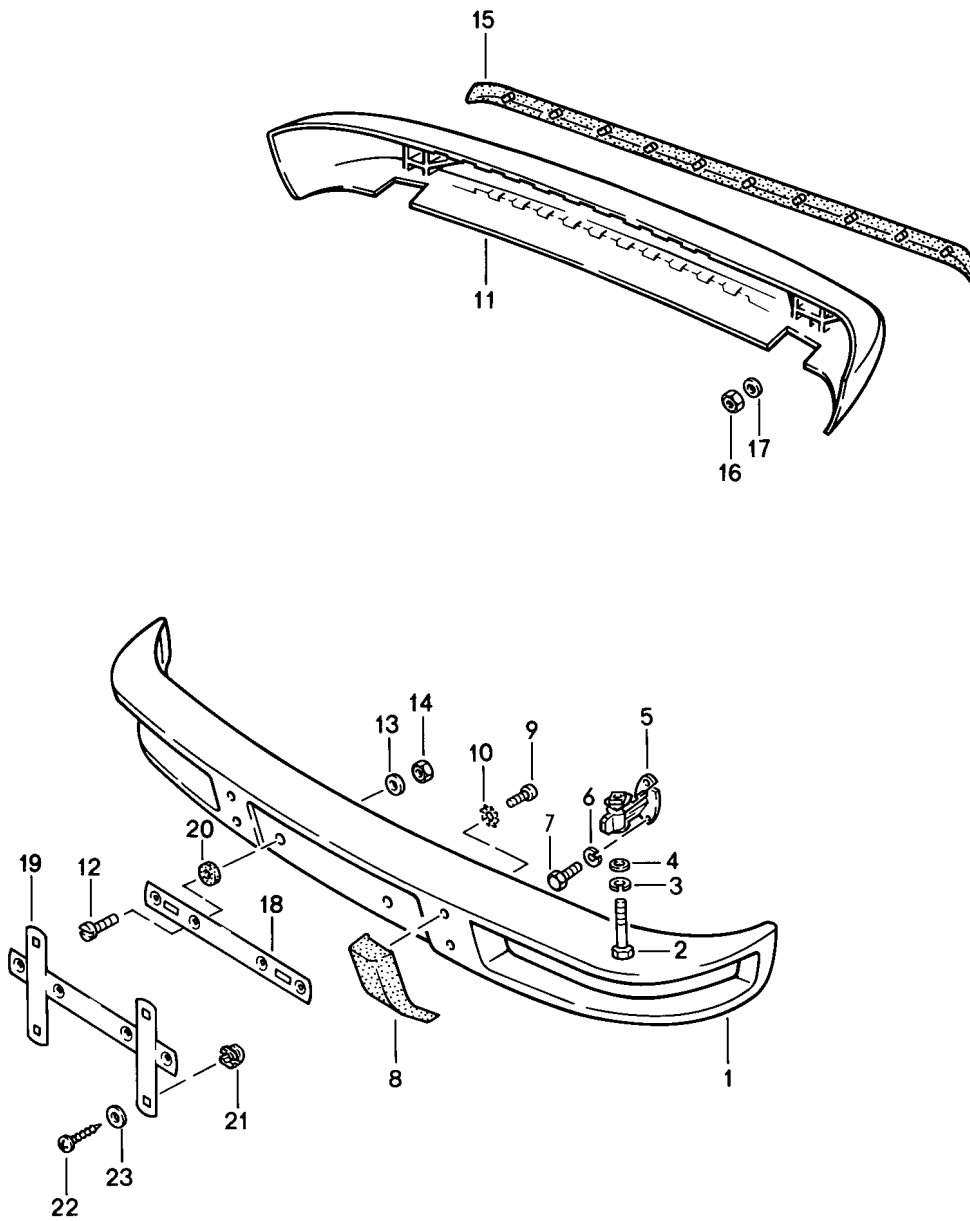
Model: 924 76

Model life 1976>>1979

Pos	Part Number	Description	Remark	Qty	Model
1	477 821 021 M	Wing	/L (J)	1	924
(1)	477 821 021 Q	Wing	/L (CDN) (USA)	1	
(1)	477 821 022 M	Wing	/R (J)	1	924
(1)	477 821 022 Q	Wing	/R (CDN) (USA)	1	
(1)	477 821 022 M	Wing RDW	/R	1	924
2	N 013 891 1	It is necessary to rework Hexagon-head tapping screw 6,3 X 19		28	
3	900 151 029 02	Washer B 6,4		26	
4	999 507 003 02	Speed nut B 6,3 X 17		26	
4	999 507 003 01	Speed nut B 6,3 X 17		26	
5	N 011 524 7	Washer A 6,4		2	
5	N 011 524 27	Washer A 6,4		2	

Model: 924 76

Model life 1976>>1979





Model: 924 76 Model life 1976>>1979

Pos	Part Number	Description	Remark	Qty	Model
1	477 807 113	Bumper without Impact absorber		1	
(1)	477 807 113 B	Bumper	/V	1	M288
		Bumper	/V	1	
		Use also: 477.955.177		2	
		Nut		2	
		N 019121.1			
2	900 074 064 02	Hexagon-head bolt M 10 X 60		4	
2	900 074 377 01	Hexagon-head bolt M 10 X 60		4	
3	900 027 016 02	Lock ring B 10		4	
3	900 027 016 03	Lock ring B 10		4	
4	900 025 008 09	Washer A 10,5		4	
4	900 025 008 04	Washer A 10,5		4	
5	477 807 131 A	Bumper reinforcement		4	
6	N 012 009 3	Lock ring A 8		8	
7	900 075 087 02	Hexagon-head bolt M 8 X 16		8	
7	900 075 087 03	Hexagon-head bolt M 8 X 16		8	
8	477 807 193	Bumper horn for bumper	/L	1	
(8)	477 807 194	Bumper horn for bumper	/R	1	
9	900 067 011 02	Pan-head screw M 6 X 20		4	
9	900 067 011 03	Pan-head screw M 6 X 20		4	
10	N 012 105 3	Serrated lock washer A 6,4		4	
11	477 807 313	Bumper	/H	1	
12	N 100 457 01	Countersunk-head screw M 5 X 25		2	
13	900 151 027 02	Washer A 5,3		2	
13	900 151 027 03	Washer A 5,3		2	
14	900 910 009 02	Lock nut M 5		2	
14	900 084 026 01	Lock nut M 5		2	
15	477 807 319	Protective moulding	/H	1	
16	113 101 175	Hexagon nut M 6		10	
17	N 011 524 7	Washer A 6,4		10	
17	N 011 524 27	Washer A 6,4		10	
18	911 701 121 03	Support Number plate		1	
-	N 015 430 1	When required order also: Speed nut		2	
-	914 571 903 10	Sealing ring		2	
19	928 701 050 03	Support	(J)	1	
20	914 571 903 10	Sealing ring		4	

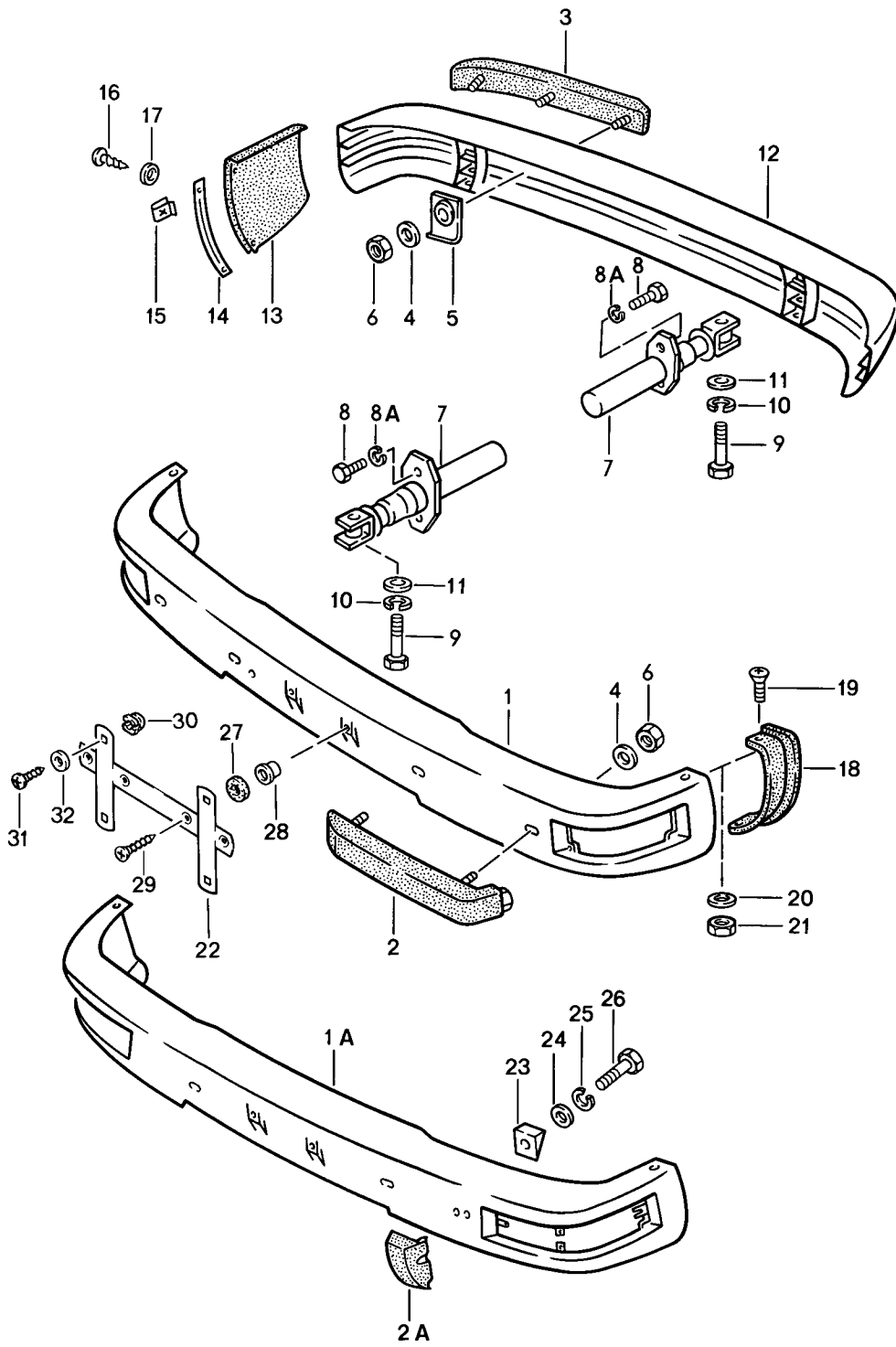
Model: 924 76

Model life 1976&gt;&gt;1979

Pos	Part Number	Description	Remark	Qty	Model
21	999 591 498 40	Special nut		X	
22	900 143 134 00	Tapping screw BZ 4,2 X 9,5		X	
23	N 011 522 8	Washer 4,3		X	

Model: 924 76

Model life 1976>>1979



Model: 924 76 Model life 1976>>1979

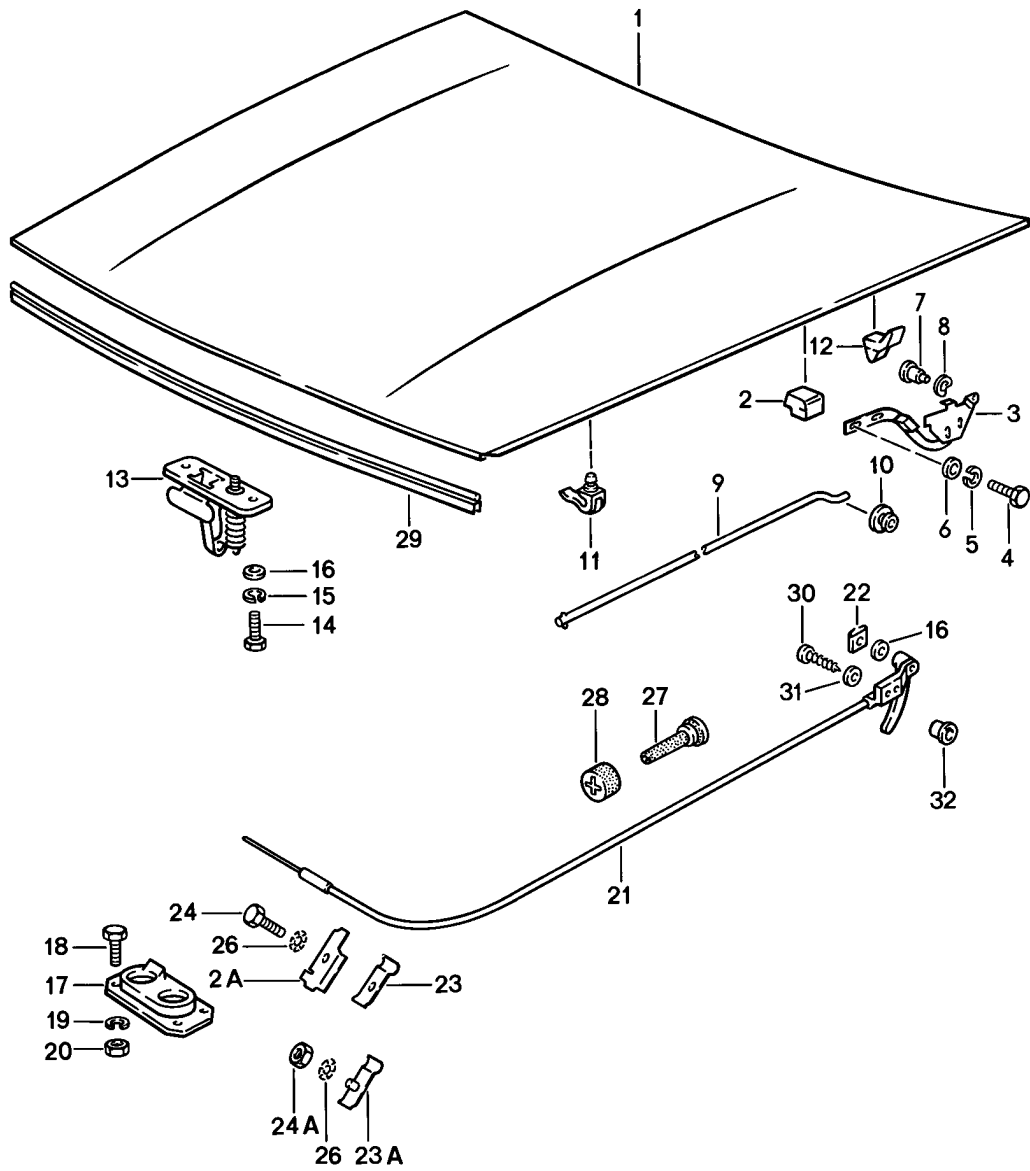
Pos	Part Number	Description	Remark	Qty	Model
1	477 807 109	Bumper with Impact absorber		1	M036
(1)		Bumper	/V -77	1	M036
(1)	477 807 109 A	Bumper	/V 78-	1	M 36/288
(1)	477 807 109 E	Bumper	/V -78	1	M 36/288
		Bumper	/V 79	1	
		Use also: 477 955 177		2	
		Nut		2	
		N 019121.1			
1A	477 807 109 H	Bumper	/V 79	1	M058
(1A)	477 807 109 C	Bumper	/V 79	1	M058/288
2	477 807 155 A	Rubber moulding	/L	1	M036
2	477 807 155 C	Rubber moulding	/L	1	M036
(2)	477 807 156 A	Rubber moulding	/R	1	M036
(2)	477 807 156 C	Rubber moulding	/R	1	M036
2A	477 807 353	Bumper horn for bumper	/L	1	M058
(2A)	477 807 354	Bumper horn for bumper	/R	1	M058
(3)	477 807 157	Rubber moulding	/L	1	
3	477 807 158	Rubber moulding	/R	1	
4	N 011 612 3	Washer R 7		6	M058
4	N 011 612 C	Washer R 7		6	M058
4	N 011 612 3	Washer R 7		10	M036
4	N 011 612 C	Washer R 7		10	M036
5	477 807 197	Support Buffer		6	
6	113 101 175	Hexagon nut		6	M058
6		Hexagon nut		10	M036
7	944 505 017 03	Impact absorber		4	
8	N 010 240 16	Hexagon-head bolt M 8 X 20		8	
9	N 010 165 2	Hexagon-head bolt M 12 X 65		4	
10	N 012 042 4	Lock ring B 12		4	
11	N 011 531 7	Washer A 13		4	
12	477 807 301 A	Bumper		1	
(13)	477 807 343	Cover		1	
13	477 807 344	Cover		1	
(14)	477 807 345	Insert		1	
14	477 807 346	Insert		1	
15	N 015 438 1	Speed nut B 3,5 X 16,5		4	
16	N 013 959 3	Oval-head sheetmetal screw B 3,5 X 16		4	
16	900 143 016 01	Oval-head sheetmetal screw B 3,5 X 16		4	
17	900 151 028 02	Washer		4	
17	900 151 028 01	Washer		4	
18	477 807 347	Cap	/L	1	
(18)	477 807 348	Cap	/R	1	
19	N 014 260 1	Oval-head screw AM 4 X 14		4	
20	900 151 028 02	Washer B 4,3		4	

Model: 924 76 Model life 1976>>1979

Pos	Part Number	Description	Remark	Qty	Model
20	900 151 028 01	Washer B 4,3		4	
21	N 011 004 6	Hexagon nut M 4		4	
21	N 011 004 G	Nut M 4		4	
22	477 807 034	Support	/V (CDN) (USA) -77	1	
22	928 701 050 03	Number plate Support Number plate		1	
23	477 807 361	Plate	/L	1	M058
(23)	477 807 362	Plate	/R	1	M058
24	N 011 652 1	Washer 7		2	M058
25	N 012 006 4	Lock ring B 6		2	M058
26	N 010 339 3	Hexagon-head bolt M 6 X 40		2	M058
27	944 505 351 00	Spacer rubber		2	
28	N 902 508 01	Special nut		2	
29	N 043 983 1	Tapping screw B 5,5 X 32		2	
30	999 591 498 40	Special nut		4	
31	900 143 134 00	Tapping screw BZ 4,2 X 9,5		4	
32	N 011 522 8	Washer 4,3		4	

Model: 924 76

Model life 1976>>1979



Model: 924 76 Model life 1976>>1979

Pos	Part Number	Description	Remark	Qty	Model
		Lid			
		Front			
		Actuator			
		Lid lock			
1	944 511 005 01	Lid		1	924
2	477 823 185	Filler piece		1	
2A	477 823 207	Reinforcement bracket		1	924
		F >>92482 08410			
		F >>92483 30332			
3	944 511 301 00	Hinge	/L	1	
(3)	944 511 302 00	Hinge	/R	1	
4	N 010 240 16	Hexagon-head bolt		8	
		M 8 X 20			
5	900 027 015 02	Lock ring		8	
		B 8			
5	900 027 015 03	Lock ring		8	
		B 8			
6	N 011 525 13	Washer		8	
		A 8,4			
7	477 823 307	Bearing pin		2	
8	N 012 230 6	Spring washer		2	
		B 10			
9	477 823 363 A	Hood stay		1	
10	171 823 395	Rubber mounting		1	
(11)	431 823 397	Support		1	
12	477 823 493	Guide piece		4	
13	477 823 507	Lock upper part		1	
		Lid lock			
13	944 511 029 00	Lock upper part		1	
		Lid lock			
14	999 072 005 09	Hexagon nut		2	
		M 6 X 12			
14	999 072 005 01	Hexagon nut		2	
		M 6 X 12			
16	999 025 049 02	Washer		2	
17	928 511 027 02	Lid lock		1	
		Lower part			
18	900 075 116 02	Hexagon-head bolt		4	
		M 4 X 8			
19	N 012 004 2	Lock ring		4	
		B 4			
20	N 011 004 6	Hexagon nut		4	
		M 4			
20	N 011 004 G	Nut		4	
		M 4			
21	477 823 531 A	Lid lock cable		1	
22	N 012 855 1	Clamping washer		1	
23A	477 823 551	Clamping piece		1	
24	999 072 005 09	Hexagon nut		2	924
		M 6 X 12			
		F >>92482 08410			
		F >>92483 30332			
24	999 072 005 01	Hexagon nut		2	924
		M 6 X 12			
		F >>92482 08410			
		F >>92483 30332			
24A	900 076 010 02	Nut		1	
		M 6			
24A	900 076 010 0B	Nut		1	
		M 6			
25	N 012 106 1	Lock washer		1	
		J 6,4			
26	N 012 006 4	Lock ring		1	

Model: 924 76

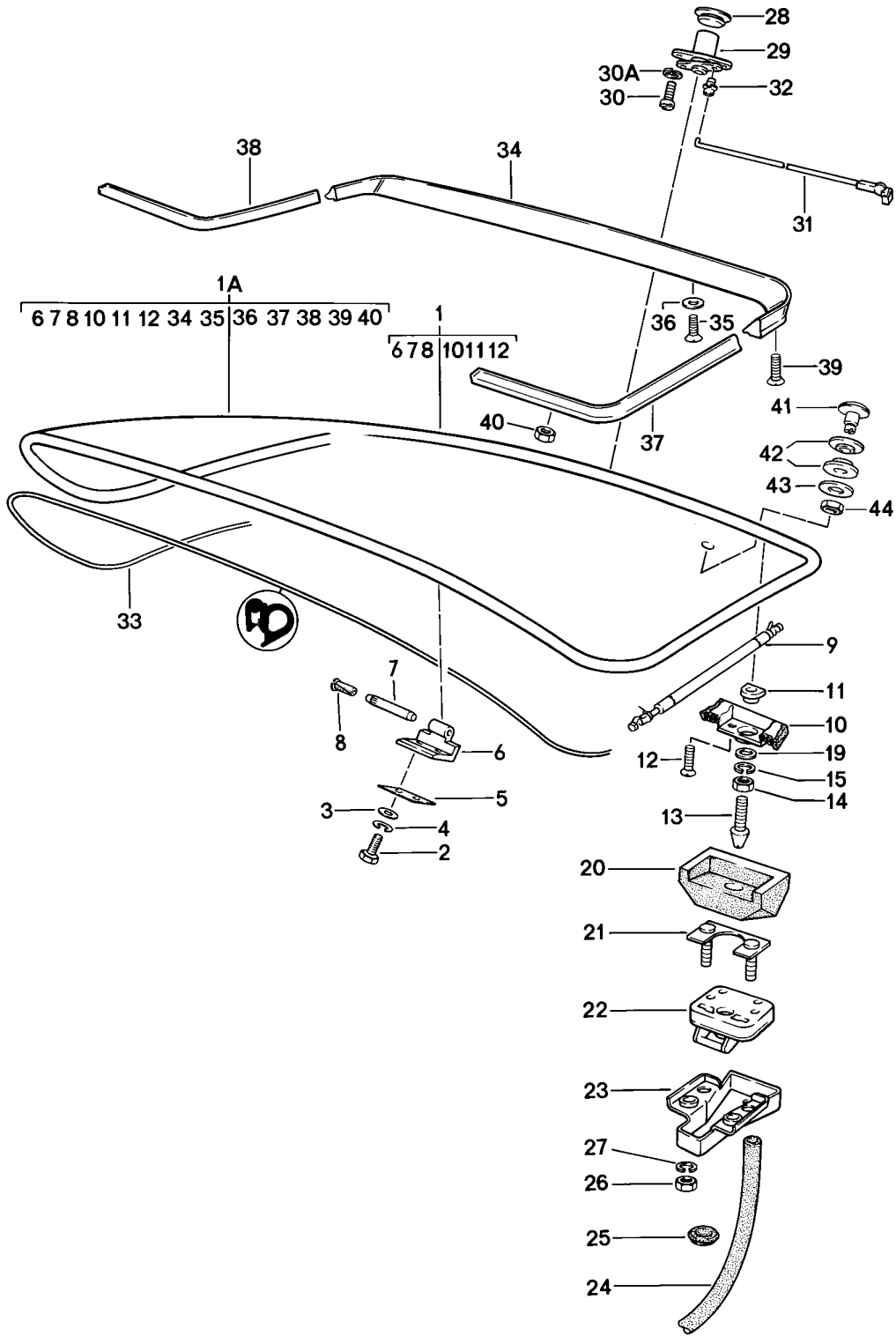
Model life 1976>>1979

Pos	Part Number	Description	Remark	Qty	Model
27	477 823 591	A 6 Grommet		1	
28	477 823 593	Stopper		1	
29	928 511 141 04	Gasket		1	
30	N 013 941 3	Oval-head sheetmetal screw 4,8 X 32 F >>92482 08674 F >>92483 30349		2	924
30	N 013 952 1	Tapping screw 4,8 X 50		2	
31	900 025 003 02	Washer A 5,3		2	
32	477 823 165	Bush F 92482 08675>> F 92483 30350>>		2	



Model: 924 76

Model life 1976>>1979



Model: 924 76

Model life 1976&gt;&gt;1979

Pos	Part Number	Description	Remark	Qty	Model
(1)	477 827 027 G	Rear lid with Rear window Rear lid  with Moulding See technical information GRUPPE 6, NR.6 without M425 Use also: POS.41-44		1	924 M425
2	999 072 005 09	Hexagon nut M 6 X 12 F >>92471 06849 F >>92472 33559 F >>92473 30159		4	924
2	999 072 005 01	Hexagon nut M 6 X 12 F >>92471 06849 F >>92472 33559 F >>92473 30159		4	924
2	N 014 768 3	Pan-head screw M 8 X 12 F 92471 06850>> F 92472 33560>> F 92473 30160>>		4	
3	N 011 612 3	Washer R 7 F >>92471 06849 F >>92472 33559 F >>92473 30159		4	924
3	N 011 612 C	Washer R 7 F >>92471 06849 F >>92472 33559 F >>92473 30159		4	924
3	111 129 720	Washer F 92471 06850>> F 92472 33560>> F 92473 30160>>		4	
4	N 012 006 4	Lock ring B 6 F >>92471 06849 F >>92472 33559 F >>92473 30159		4	924
4	900 027 015 02	Lock ring B 8 F 92471 06850>> F 92472 33560>> F 92473 30160>>		4	
4	900 027 015 03	Lock ring B 8 F 92471 06850>> F 92472 33560>> F 92473 30160>>		4	
5	944 512 413 00	Gasket Lid hinge		2	
6	477 827 305 B	Hinge half		2	
7	944 512 311 00	Hinge pin		2	
7		Hinge pin		2	
8	477 827 441	Bush		2	

Model: 924 76

Model life 1976&gt;&gt;1979

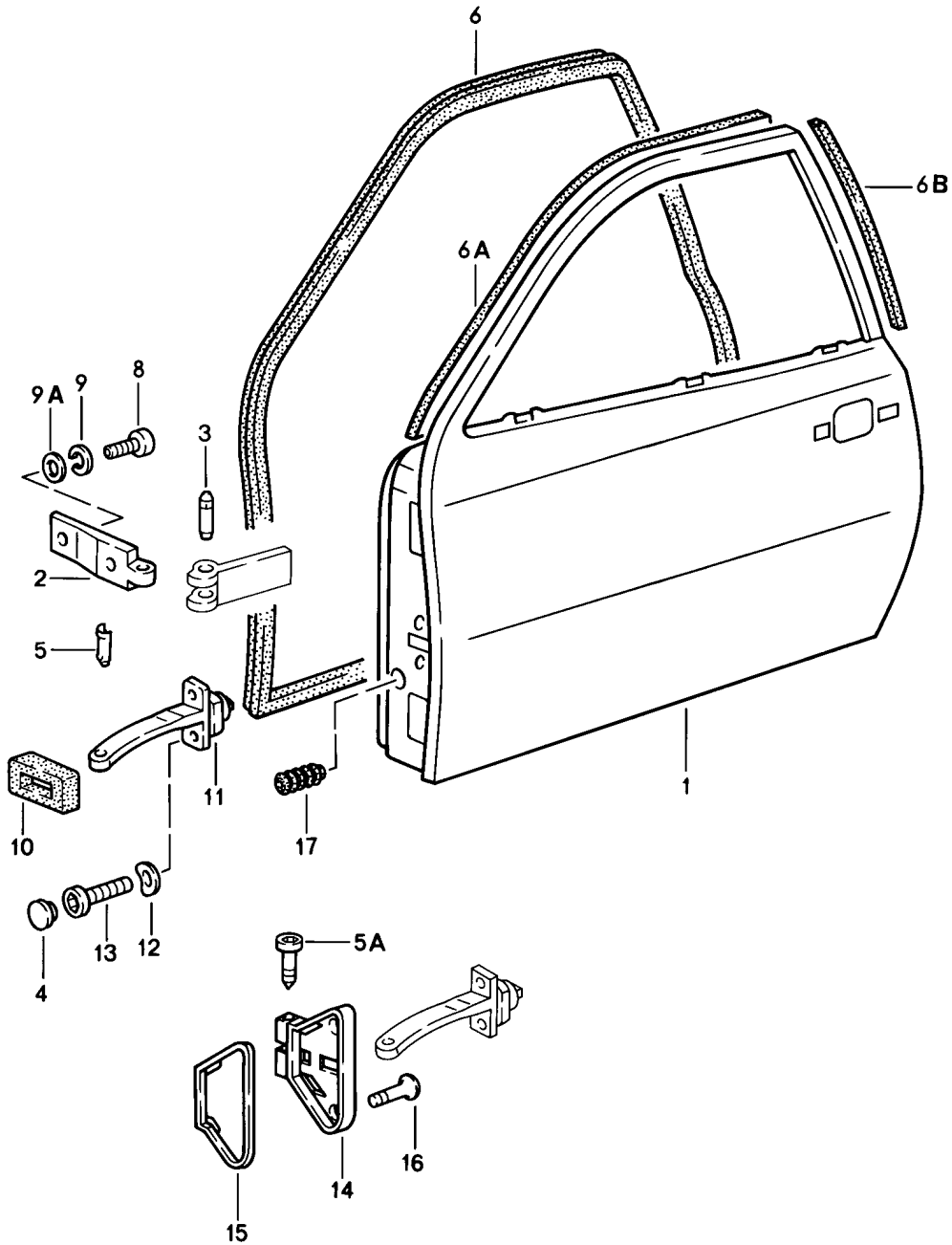
Pos	Part Number	Description	Remark	Qty	Model
(9)	477 827 348 E	Hinge pin			
		Gas-pressure spring	/R	1	
9	477 827 349 D	Gas-pressure spring	/L	1	
-	477 827 351	Ball socket		4	924
		without			
		Rear window wiper			
		F >>92471 02605			
		F >>92472 08092			
		F >>92473 00253			
		with			
		Rear window wiper			
		F >>92471 02018			
		F >>92472 07088			
		F >>92473 00248			
-	477 827 351 A	Ball socket		3	
		without			
		Rear window wiper			
		F 92471 02606>>			
		F 92472 08093>>			
		F 92473 00254>>			
		with			
		Rear window wiper			
		F 92471 02019>>			
		F 92472 07089>>			
		F 92473 00249>>			
10	477 827 033	Housing	/L	1	
(10)	477 827 034	Housing	/R	1	
11	477 827 035	Rubber mounting		2	
12	999 219 011 07	Countersunk-head screw		4	
		M 6 X 16			
12	999 219 011 0H	Countersunk-head screw		4	
		M 6 X 16			
12	999 219 011 0J	Countersunk-head screw		4	
		M 6 X 16			
13	477 827 527	Lock pin		2	
14	N 011 008 8	Hexagon nut		2	
		M 8			
15	900 027 015 02	Lock ring		2	
		B 8			
15	900 027 015 03	Lock ring		2	
		B 8			
19	N 011 525 13	Washer		1	
		A 8,4			
(20)	477 827 365 A	Gasket	/L	1	
		Lower part			
(20)	944 512 365 01	Gasket	/L	1	
		Lower part			
(20)	477 827 366 A	Gasket	/R	1	
		Lower part			
(20)	944 512 366 01	Gasket	/R	1	
		Lower part			
21	951 512 447 00	Reinforcement plate		2	
22	477 827 505 A	Rear lid lock	/L	1	
(22)	477 827 506 A	Rear lid lock	/R	1	
23	477 827 541	Water drip pan		2	
24	477 827 547	Hose		2	
		400 MM			
25	111 971 911 A	Grommet		2	
26	900 076 010 02	Nut		4	
		M 6			
26	900 076 010 0B	Nut		4	
		M 6			
27	N 012 006 4	Lock ring		4	

Model: 924 76 Model life 1976>>1979

Pos	Part Number	Description	Remark	Qty	Model
		B 6			
28	477 827 529 A	Sealing ring		1	
29	477 898 082	Lock cylinder		1	
		W/o stipulated lock number			
(29)	477 827 573 B	Lock cylinder		1	
		with stipulated lock number			
30	N 014 139 5	Oval-head screw		2	
		M 6 X 12			
30A	N 012 007 02	Lock ring		2	
		A 6			
31	477 827 583	Pull rod		2	
32	993 531 563 00	Linkage clip		2	
33	944 512 043 00	Seal for rear lid		1	
-	999 591 342 02	Clamp		4	
-	999 591 342 03	Clamp		4	

Model: 924 76

Model life 1976>>1979



Model: 924 76 Model life 1976>>1979

Pos	Part Number	Description	Remark	Qty	Model
		Door			
(1)	477 831 051 H	Door in white	/L	1	
(1)	477 831 052 H	Door in white	/R	1	
-	477 831 139 C	Reinforcement	/L	1	
		Door mirror			
		Electric			
-	477 831 140 C	Reinforcement	/R	1	
		Door mirror			
		Electric			
-	928 531 235 03	Threaded piece		1	
		F 92482 04109>>			
		F 92483 30205>>			
-	N 013 295 1	Tensioning sleeve		1	
		F 92482 04109>>			
		F 92483 30205>>			
-	477 831 136	Reinforcement	/R	1	
		Door mirror			
		F >>92482 04108			
		F >>92483 30204			
-	477 831 137	Reinforcement bracket		X	
2	171 831 403	Hinge half		4	
3	321 831 421	Hinge pin		4	
4	411 837 111	Cap		4	
		F >>92482 07157			
		F >>92483 30290			
5	823 837 257	Roll pin		2	
		F >>92482 07157			
		F >>92483 30290			
5A	928 537 419 03	Pan-head screw		2	
		F 92482 07158>>			
		F 92483 30291>>			
6	944 537 091 00	Door seal	/L	1	
(6)	944 537 092 00	Door seal	/R	1	
6A	477 837 233	Additional gasket		2	
6B	477 837 235	Additional gasket		2	
8	900 119 052 02	Pan-head screw		8	
		M 8 X 15			
9	900 027 015 02	Lock ring		8	
		B 8			
9	900 027 015 03	Lock ring		8	
		B 8			
9A	823 711 815	Washer		8	
10	477 837 483	Gasket		2	
		F >>92482 07157			
		F >>92483 30290			
11	944 537 609 00	Door arrester		2	
11		Door arrester		2	
12	N 011 524 7	Washer		4	
		B 6			
12	N 011 524 27	Washer		4	
		B 6			
13	900 067 009 02	Pan-head screw		4	
		M 6 X 15			
13	900 067 429 01	Pan-head screw		4	
		M 6 X 15			
14	928 537 417 02	Bearing bracket	/L	1	
		F 92482 07158>>			
		F 92483 30291>>			
14	928 537 417 03	Bearing bracket	/L	1	
		F 92482 07158>>			
		F 92483 30291>>			
(14)	928 537 418 02	Bearing bracket	/R	1	
		F 92482 07158>>			

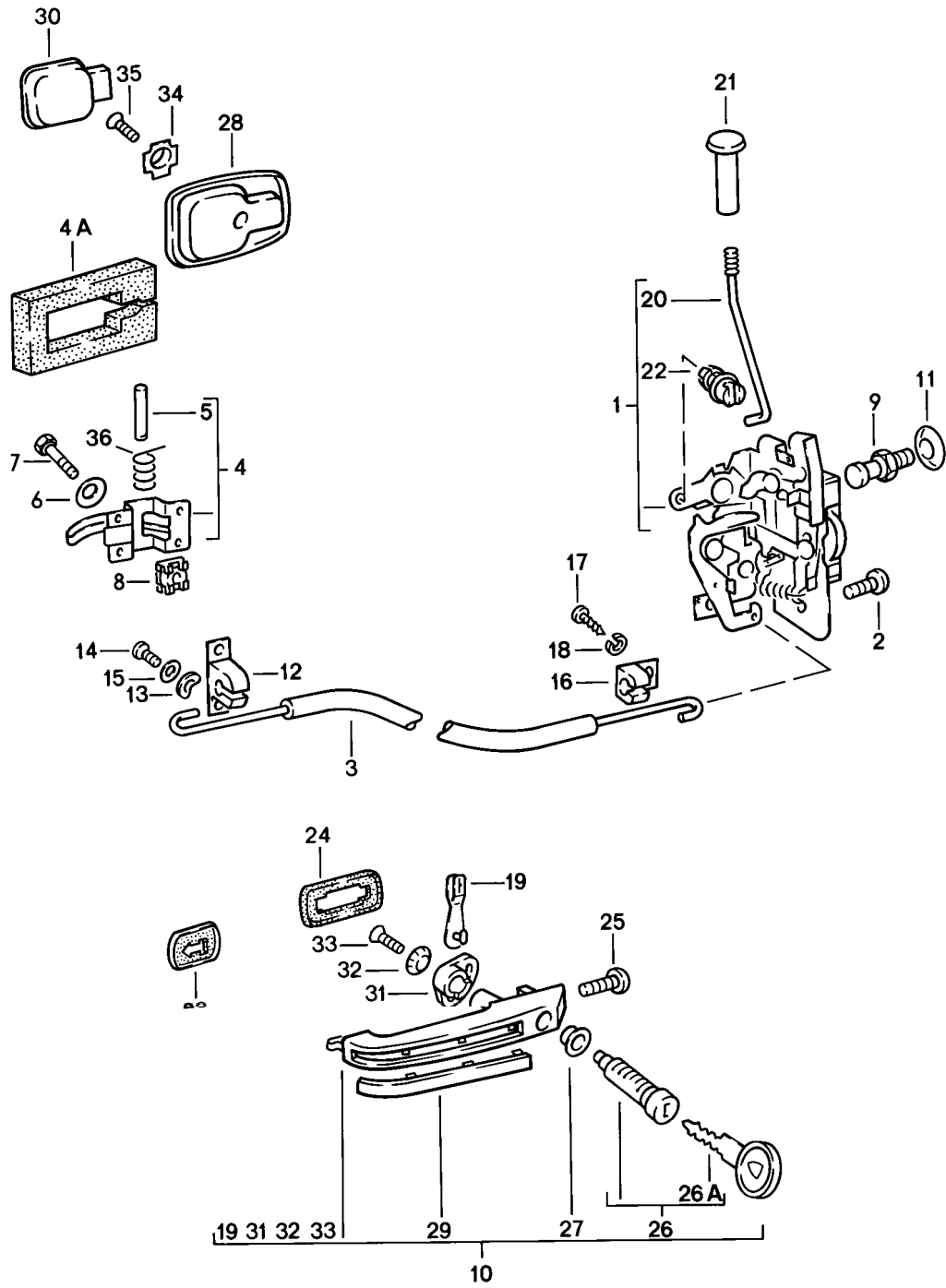
Model: 924 76

Model life 1976>>1979

Pos	Part Number	Description	Remark	Qty	Model
15	928 537 425 02	F 92483 30291>> Desk pad Bearing bracket	/L	1	
(15)	928 537 426 02	F 92482 07158>> F 92483 30291>> Desk pad Bearing bracket	/R	1	
16	928 537 459 02	F 92482 07158>> F 92483 30291>> Oval-head screw M 6 X 20		4	
17	477 971 910	F 92482 07158>> F 92483 30291>> Bellows		2	

Model: 924 76

Model life 1976>>1979





Model: 924 76 Model life 1976>>1979

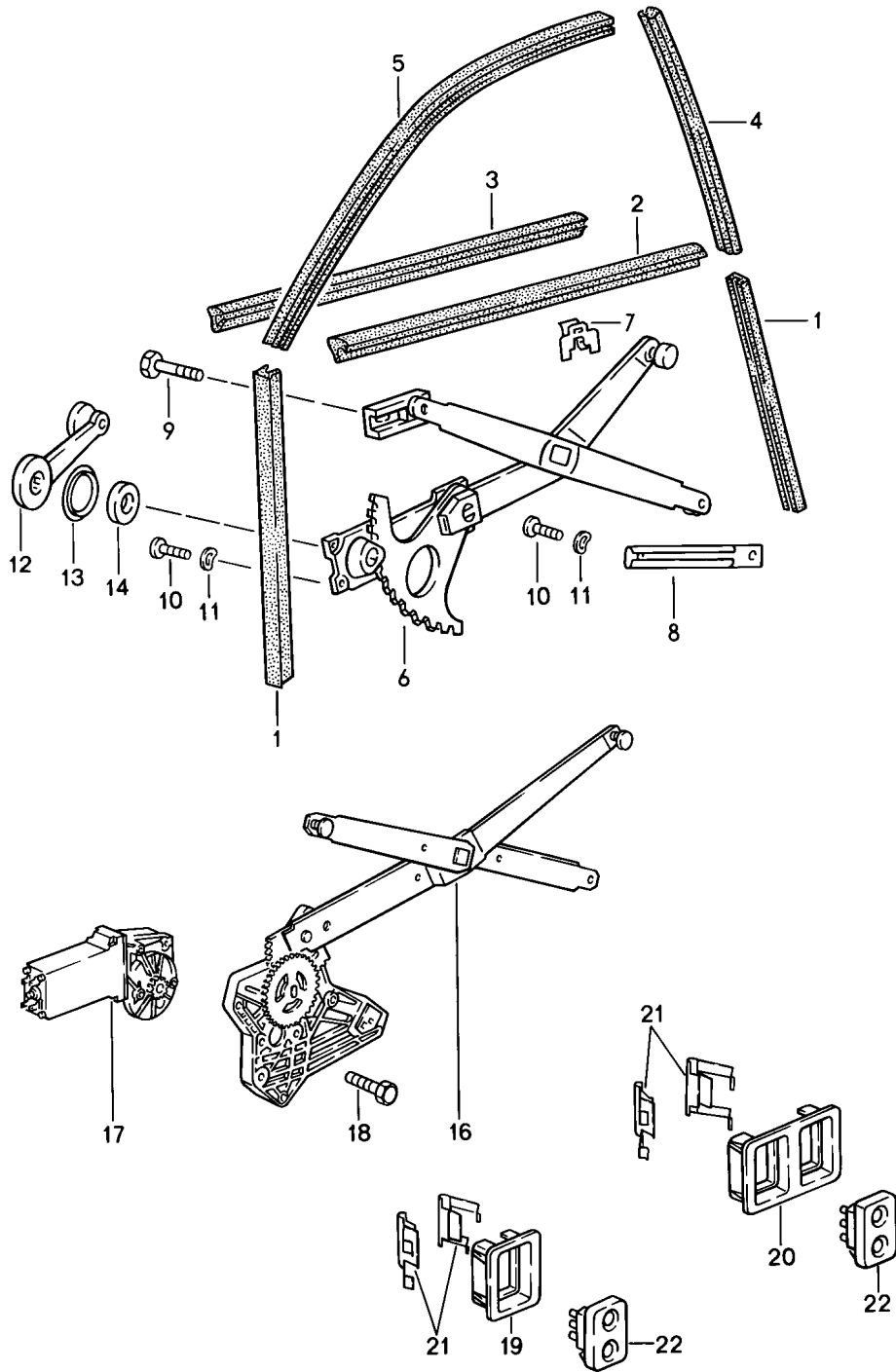
Pos	Part Number	Description	Remark	Qty	Model
		Installation parts			
		Door			
		Door lock			
1	477 837 015 A	Door lock	/LL /L (J)	1	
(1)		Door lock	/LL /L	1	M190
(1)	477 837 016 A	Door lock	/LL /R (J)	1	
(1)		Door lock	/LL /R	1	M190
2	N 014 139 5	Oval-head screw M 6 X 10		8	
-	111 837 941	Cup spring		8	
3	477 837 017	Bowden cable		2	
3	477 837 017 B	Bowden cable		2	
4	171 837 019	Inner door release	/L	1	
	171 837 019 041	Black			
	171 837 019 90V	Brown			
(4)	171 837 020	Inner door release	/R	1	
	171 837 020 041	Black			
	171 837 020 90V	Brown			
4A	477 831 304 A	Seal		2	
5	N 013 666 1	Rivet B 4 X 32		2	
6	111 837 941	Cup spring 6,4 X 12,5		8	
7	N 010 210 13	Hexagon-head bolt M 6 X 10		8	
8	477 837 521	Captive nut M 6		8	
9	823 837 035 A	Lock pin		2	
10	477 837 037	Door handle Chrome with lock cylinder F >>92482 00356 F >>92483 30068		2	
10	477 837 037 B	Door handle Black with lock cylinder F 92482 00357>> F 92483 30069>>		2	
11	823 837 057 A	Cup spring 12 X 32		2	
12	477 837 115 A	Support		2	
13	N 011 524 7	Washer B 6		4	
13	N 011 524 27	Washer B 6		4	
14	N 014 139 7	Oval-head screw M 6 X 12		4	
15	N 011 524 7	Washer A 6,4		4	
15	N 011 524 27	Washer A 6,4		4	
16	477 837 117	Support		2	
17	N 013 957 5	Oval-head sheetmetal screw BZ 3,5 X 9,5		2	
18	N 012 004 2	Lock ring B 4		2	
19	823 837 137	Connecting piece		2	
20	477 837 183	Locking rod		2	
21	111 837 187 B	Knob		2	
	111 837 187 B 043	Black			
22	171 837 199 A	Clip		2	
23	171 837 209 A	Desk pad		2	
24	171 837 211 A	Desk pad		2	

Model: 924 76 Model life 1976>>1979

Pos	Part Number	Description	Remark	Qty	Model
25	803 837 951	Self-lock. fillister screw		2	
(26)	944 538 903 00	Lock cylinder with keys W/o stipulated lock number		2	
26	944 538 903 01	Lock cylinder with stipulated lock number		2	
-		Grease for lock cylinder See group 0/05/00			
26A	477 837 219	Blank key		2	
26A	944 538 933 00	Key with stipulated lock number Information available		1	
27	111 837 227 B	Sealing ring Lock cylinder		2	
28	111 837 239 B	Rosette	-78	2	924
	111 837 239 B 01C	Black			
28	171 837 235	Rosette	79-	2	
	171 837 235 01C	Black			
	171 837 235 90V	Brown			
29	823 837 239	Cover Outer door handle		2	
30	311 837 247	Finger plate		2	
	311 837 247 043	Black			
	311 837 247 90V	Brown			
31	477 837 511	Driver		2	
32	N 012 116 1	Serrated lock washer V 4,3		2	
33	N 011 734 1	Countersunk-head screw AM 4 X 8		2	
33	N 033 165 1	Countersunk-head screw AM 4 X 8		2	
34	111 837 291	Cone washer		2	
35	N 014 216 1	Countersunk-head screw AM 5 X 10		2	
36	811 837 723	Spring for operating lever		2	

Model: 924 76

Model life 1976>>1979



Model: 924 76 Model life 1976>>1979

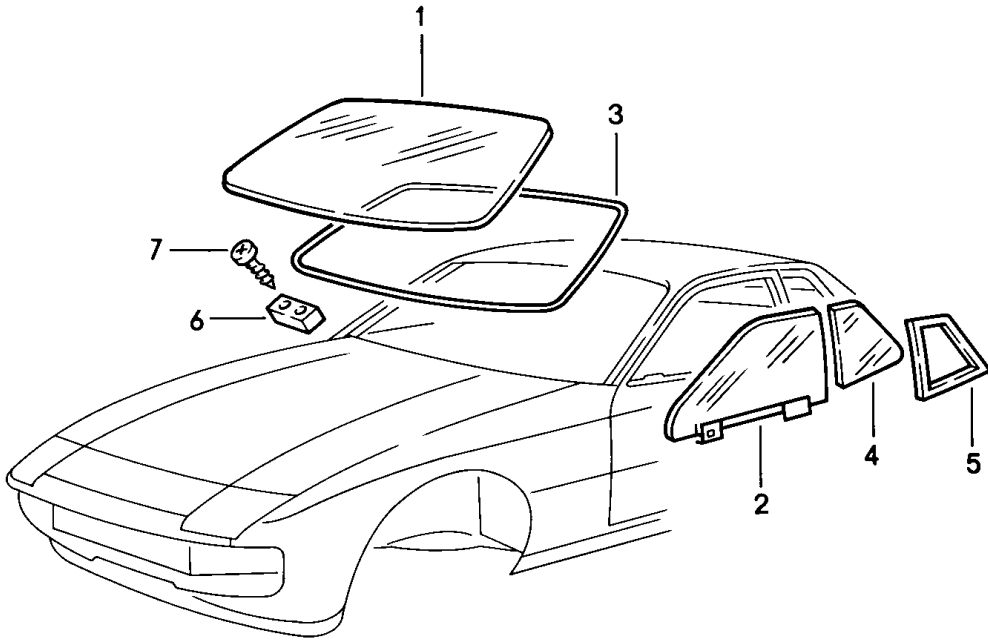
Pos	Part Number	Description	Remark	Qty	Model
		Installation parts			
		Door window glass			
		Power windows			
1	477 837 385	Window guide		4	
2	477 837 469 A	Sealing strip	/L	1	
		Outer			
(2)	477 837 470 A	Sealing strip	/R	1	
		Outer			
3	477 837 471 A	Sealing for door slot		2	
		Inner			
4	477 837 479 A	Window guide	/H	2	
5	477 837 493 A	Window guide	/L	1	
(5)	477 837 494 A	Window guide	/R -77	1	924
(5)		Window guide	/R 78-	1	
6	477 837 441	Power windows	/L	1	924
		F >>92482 07489			
		F >>92483 30302			
(6)	477 837 441 A	Power windows	/L	1	
		F 92482 07490>>			
		F 92483 30303>>			
(6)	477 837 442	Power windows	/R	1	924
		F >>92482 07489			
		F >>92483 30302			
(6)	477 837 442 A	Power windows	/R	1	
		F 92482 07490>>			
		F 92483 30303>>			
7	171 837 485	Clamp		10	
8	477 837 589	Guide rail		2	
9	900 075 079 02	Hexagon-head bolt		2	
		M 8 X 22			
10	N 014 139 5	Oval-head screw		12	
		M 6 X 10			
11	N 011 524 7	Washer		12	
		B 6			
11	N 011 524 27	Washer		12	
		B 6			
12	321 837 581	Window crank		2	
	321 837 581 01C	Black			
	321 837 581 90V	Brown			
13	111 837 595 A	Desk pad		2	
	111 837 595 A 01C	Black			
	111 837 595 A 90V	Brown			
14	411 837 447	Gasket		2	
16	477 837 391 C	Cross-arm	/L	1	
		Power window			
(16)	477 837 392 C	Cross-arm	/R	1	
		Power window			
17	477 959 123 A	Engine and transmission	/L	1	
(17)	477 959 124 A	Engine and transmission	/R	1	
18	N 014 228 4	Countersunk-head screw		6	
		AM 6 X 12			
-	477 837 397	Stop	/L	1	
		Upper			
-	477 837 398	Stop	/R	1	
-	477 837 397	Stop	/R	1	
		Lower			
-	477 837 398	Stop	/L	1	
19	477 867 185	Trim for switch		1	
	477 867 185 01C	Black			
20	477 867 187	Trim for switch		1	
	477 867 187 01C	Black			
21	477 867 189	Spring clamp		4	
22	477 959 622	Tip switch		3	

Model: 924 76 Model life 1976>>1979

Pos	Part Number	Description	Remark	Qty	Model
	477 959 622 01C	Black Electric line Power window			
-	477 971 160	Wiring harness Dashboard	/LL -78	1	924
-	477 971 160 A	Wiring harness Dashboard	/LL 79-	1	
-	477 971 161	Wiring harness Driver's door		1	
-	477 971 162	Wiring harness Passenger's door		1	
-	321 919 505	Relay		1	
-	111 937 091 A	Terminal with Lock		1	
-	N 017 121 5	Lock 25 A		1	
-	999 513 002 40	Tie-wrap		2	
-	N 020 910 4	Tie-wrap		2	
-	999 513 003 40	Tie-wrap		2	
-	477 971 910	Bellows		2	

Model: 924 76

Model life 1976>>1979

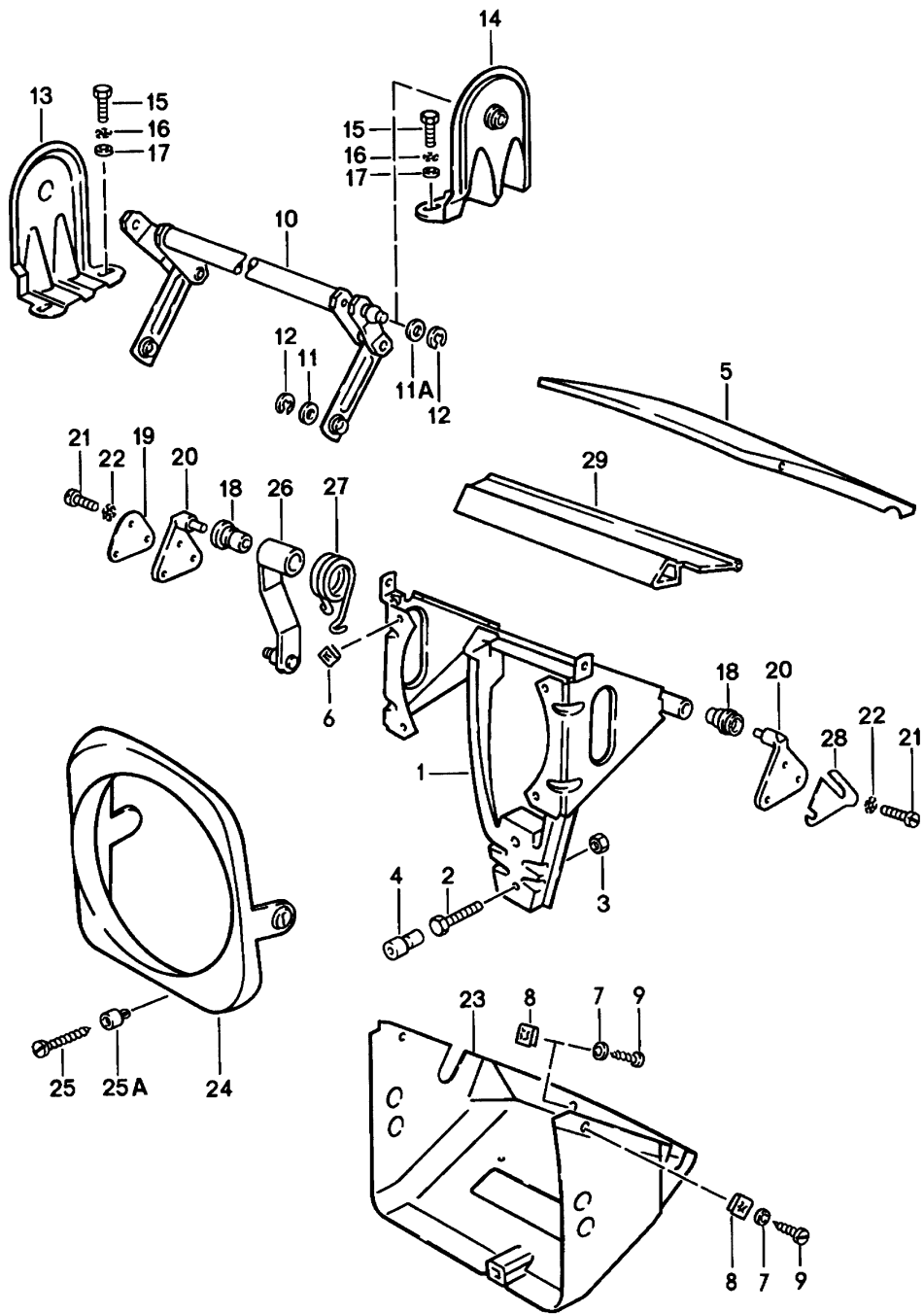


Model: 924 76 Model life 1976>>1979

Pos	Part Number	Description	Remark	Qty	Model
(1)	477 845 011 E	window glazing Windscreen Tinted		1	
(1)		Windscreen Tinted		1	
-	477 845 043	Retainer plate for Interior mirror		1	
(2)	477 845 023 A	Door window glass Tinted F >>92482 07489 F >>92483 30302	/L	1	924
(2)	944 542 023 01	Door window glass	/L	1	
(2)		Door window glass Tinted	/L	1	
(2)	477 845 024 A	Door window glass Tinted F >>92482 07489 F >>92483 30302	/R	1	924
(2)	944 542 024 01	Door window glass Tinted	/R	1	
3	477 898 011 A	Sealing set		1	
(4)	477 845 311 A	Side window Tinted	/L /H	1	
(4)	477 845 312 A	Side window Tinted	/R /H	1	
5	944 557 321 00	Rubber seal	/L	1	
(5)	944 557 322 00	Rubber seal	/R	1	
6	477 845 613 A	Stop		2	
7	900 143 046 02	Oval-head sheetmetal screw B 4,8 X 16		4	
7	900 143 046 01	Oval-head sheetmetal screw B 4,8 X 16		4	

Model: 924 76

Model life 1976>>1979





Model: 924 76 Model life 1976>>1979

Pos	Part Number	Description	Remark	Qty	Model
1	944 750 605 00	Pop-up headlight			
(1)	944 750 606 00	Swivel frame	/L	1	
2	N 010 221 3	Swivel frame	/R	1	
		Hexagon-head bolt		2	
		M 6 X 35			
3	900 076 010 02	Nut		2	
		M 6			
3	900 076 010 0B	Nut		2	
		M 6			
4	914 504 319 00	Grommet		2	
5	477 805 611	Housing cover	/L	1	
(5)	477 805 612	Housing cover	/R	1	
6	N 015 422 2	Speed nut		8	
		B 4,2 X 17			
6	999 507 252 02	Nut		8	
		B 3,9 X 16,5			
7	900 151 028 02	Washer		4	
		4,1			
7	900 151 028 01	Washer		4	
		4,1			
8	N 015 438 1	Speed nut		10	
		B 3,5 X 16,5			
9	N 014 086 4	Rais. counters. h. tap. s.		10	
		B 3,5 X 9,5			
10	477 805 615	Control shaft		1	924
11	N 011 525 13	Washer		3	
11A	477 805 695	Heat shield		1	
12	N 012 436 2	Lock washer		3	
		6			
13	477 805 617	Bearing bracket		1	
14	477 805 622	Bearing bracket		1	
15	N 010 215 13	Hexagon-head bolt		4	
		M 6 X 15			
16	N 012 105 3	Serrated lock washer		4	
		A 6,4			
17	N 011 524 7	Washer		4	
		A 6,4			
17	N 011 524 27	Washer		4	
		A 6,4			
18	477 805 623	Bush		4	
19	914 750 169 10	Plate		4	
20	914 750 271 10	Bearing bracket		4	
21	N 014 750 3	Pan-head screw		12	
		M 6 X 10			
21	N 014 750 13	Pan-head screw		12	
		M 6 X 10			
22	N 012 105 3	Serrated lock washer		12	
		A 6,4			
23	944 750 631 00	Housing		1	
23	944 750 631 01	Housing		1	
(23)	944 750 632 00	Housing		1	
(23)	944 750 632 01	Housing		1	
24	477 805 633	Retaining ring		1	
(24)	477 805 634	Retaining ring		1	
(24)	477 805 634 A	Retaining ring		1	
25	N 043 979 2	Tapping screw		2	
		BZ 4,2 X 45			
25A	477 857 173	Clip		2	
26	477 805 651	Driver		2	
27	477 805 661	Spring		1	
(27)	477 805 662	Spring		1	
28	477 805 663	Plate		X	
29	477 853 363	Cover strip		1	

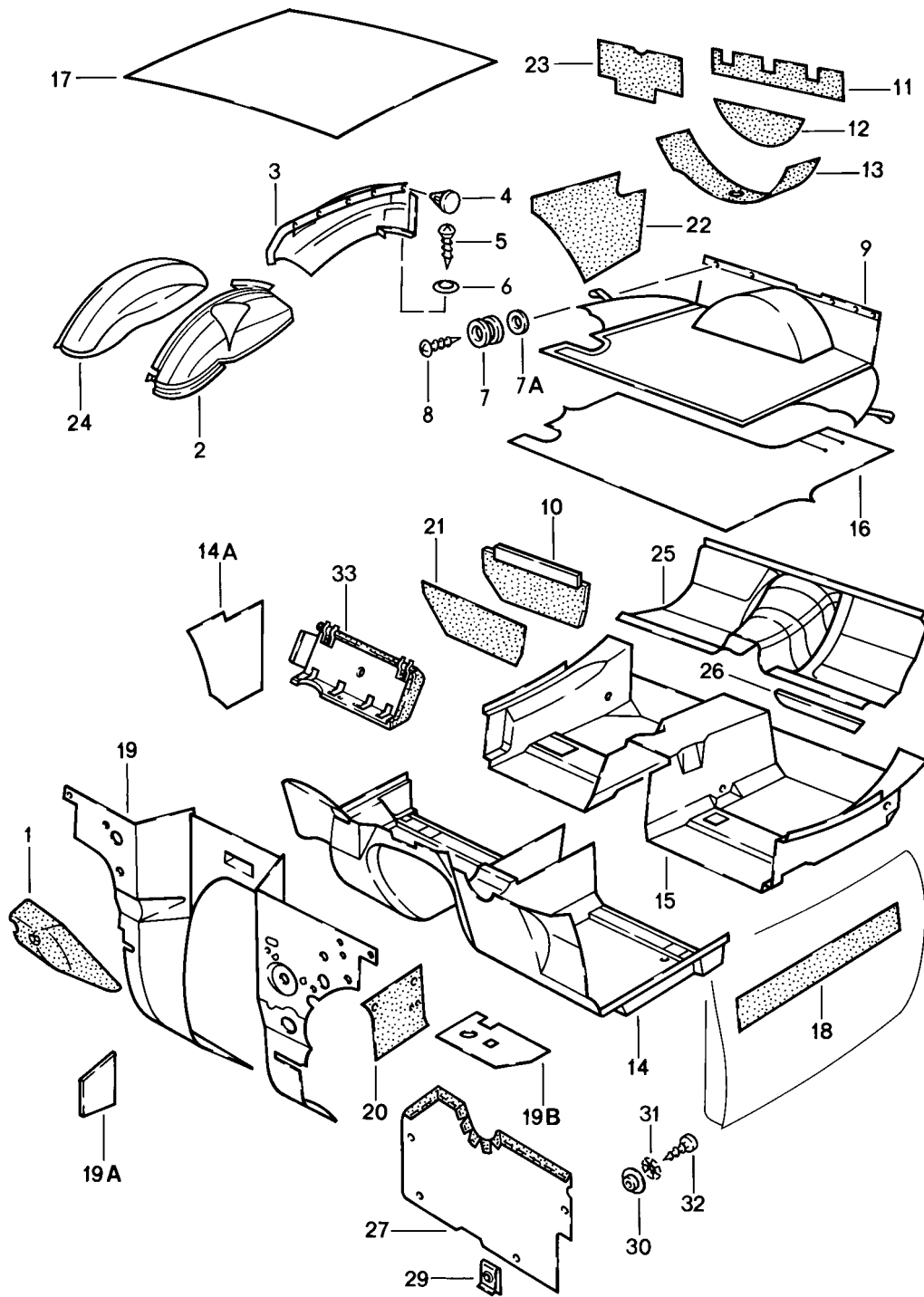
Model: 924 76

Model life 1976>>1979

Pos	Part Number	Description	Remark	Qty	Model
(29)	477 853 364	Cover strip		1	

Model: 924 76

Model life 1976>>1979



Model: 924 76 Model life 1976>>1979

Pos	Part Number	Description	Remark	Qty	Model
1	477 857 718	Linings Front Carpet Foot support	/LL -77	1	924
(2)	477 863 067 A	Lining Wheel housing	/L /H	1	
	477 863 067 A 07W	Black	76-77		
	477 863 067 A 92V	Dark brown	76-77		
	477 863 067 A 24U	Red	77		
	477 863 067 A 43S	Black	78-		
	477 863 067 A 83S	Beige	78-		
	477 863 067 A 87S	Brown	78-		
2	477 863 068 A	Lining Wheel housing	/R /H	1	
	477 863 068 A 07W	Black	76-77		
	477 863 068 A 92V	Dark brown	76-77		
	477 863 068 A 24U	Red	77		
	477 863 068 A 43S	Black	78-		
	477 863 068 A 83S	Beige	78-		
	477 863 068 A 87S	Brown	78-		
(3)	477 863 083 C	Side trim panel	/L /H	1	924
	477 863 083 C 07W	Black	76-77		
	477 863 083 C 92V	Dark brown	76-77		
	477 863 083 C 24U	Red	77		
	477 863 083 C 43S	Black	78		
	477 863 083 C 83S	Beige	78		
	477 863 083 C 87S	Brown	78		
3	477 863 084 A	Side trim panel	/R /H	1	924
	477 863 084 A 07W	Black	76-77		
	477 863 084 A 92V	Dark brown	76-77		
	477 863 084 A 24U	Red	77		
	477 863 084 A 43S	Black	78		
	477 863 084 A 83S	Beige	78		
	477 863 084 A 87S	Brown	78		
(3)	477 863 083 D	Side trim panel	/L /H	1	
	477 863 083 D 43S	Black	79-		
	477 863 083 D 87S	Brown	79-		
	477 863 083 D 83S	Beige	79-		
(3)	477 863 084 B	Side trim panel	/R /H	1	
	477 863 084 B 43S	Black	79-		
	477 863 084 B 87S	Brown	79-		
	477 863 084 B 83S	Beige	79-		
4	477 863 747	Clip		12	
	477 863 747 01C	Black	76-		
	477 863 747 90V	Brown	76-		
5	N 014 087 5	Oval-head sheetmetal screw B 3,5 X 16		2	
6	N 011 578 1	Cone washer 3,7		2	
7	968 555 901 00	Set of fastening parts		6	
7A	900 151 027 02	Washer 5,3		6	
7A	900 151 027 03	Washer 5,3		6	
8	N 013 957 5	Oval-head sheetmetal screw B 3,5 X 9,5		6	
9	477 863 463 A	Lining Boot floor plate		1	924
	477 863 463 A 07W	Black	76-77		
	477 863 463 A 92V	Dark brown	76-77		
	477 863 463 A 24U	Red	77		
	477 863 463 A 43S	Black	78		
	477 863 463 A 83S	Beige	78		

Model: 924 76 Model life 1976>>1979

Pos	Part Number	Description	Remark	Qty	Model
(9)	477 863 463 A 87S	Brown	78		
	477 863 463 K	Boot floor lining		1	924
		Boot floor plate			
	477 863 463 K 43S	Black	79-		
	477 863 463 K 87S	Brown	79-		
	477 863 463 K 83S	Beige	79-		
(9)	477 863 463 D	Lining		1	924
		Boot floor plate			
		with collapsible tire			
	477 863 463 D 07W	Black	76-77		
	477 863 463 D 92V	Dark brown	76-77		
(9)	477 863 463 E	Lining		1	924
		Boot floor plate			
		with collapsible tire			
	477 863 463 E 24U	Red	77		
	477 863 463 E 43S	Black	78		
	477 863 463 E 83S	Beige	78		
	477 863 463 E 87S	Brown	78		
(9)	477 863 463 J	Lining		1	
		Boot floor plate			
		with collapsible tire			
	477 863 463 J 43S	Black	79-		
	477 863 463 J 87S	Brown	79-		
	477 863 463 J 83S	Beige	79-		
(10)	477 863 571 A	Lining	/L	1	
		Heel plate			
	477 863 571 A 07W	Black	76-77		
	477 863 571 A 92V	Dark brown	76-77		
	477 863 571 A 24U	Red	77		
	477 863 571 A 43S	Black	77-		
	477 863 571 A 83S	Beige	77-		
	477 863 571 A 87S	Brown	77-		
10	477 863 572 A	Lining	/R	1	
		Heel plate			
	477 863 572 A 07W	Black	76-77		
	477 863 572 A 92V	Dark brown	76-77		
	477 863 572 A 24U	Red	77		
	477 863 572 A 43S	Black	77-		
	477 863 572 A 83S	Beige	77-		
	477 863 572 A 87S	Brown	77-		
13	477 863 672	Damping piece		1	
		Spare-wheel well			
		Lower			
14	477 863 703 E	Floor mat	/LL /V	1	924
	477 863 703 E 07W	Black	76-77		
	477 863 703 E 92V	Dark brown	76-77		
	477 863 703 E 24U	Red	77		
	477 863 703 E 43S	Black	77-		
	477 863 703 E 83S	Beige	77-		
	477 863 703 E 87S	Brown	77-		
(14)	477 863 703 L	Floor mat	/LL /V	1	924 M573
	477 863 703 L 43S	Black	79-		
	477 863 703 L 83S	Beige	79-		
	477 863 703 L 87S	Brown	79-		
-	477 863 855	Insulation		1	
		Firewall			
14A	477 863 581 A	Lining	/V /L	1	
		Lateral			
	477 863 581 A 07W	Black	76-77		
	477 863 581 A 92V	Dark brown	76-77		
	477 863 581 A 24U	Red	77		
	477 863 581 A 43S	Black	78-		

Model: 924 76 Model life 1976>>1979

Pos	Part Number	Description	Remark	Qty	Model
(14A)	477 863 581 A 83S	Beige	78-	1	
	477 863 581 A 87S	Brown	78-		
	477 863 582 A	Lining	/V /R		
		Lateral			
	477 863 582 A 07W	Black	76-77		
	477 863 582 A 92V	Dark brown	76-77		
	477 863 582 A 24U	Red	77		
	477 863 582 A 43S	Black	78-		
(14A)	477 863 582 A 83S	Beige	78-	1	M573
	477 863 582 A 87S	Brown	78-		
	477 863 582 B	Lining	/LL /R		
		Lateral			
	477 863 582 B 43S	Black	79-		
	477 863 582 B 83S	Beige	79-		
	477 863 582 B 87S	Brown	79-		
	15	477 863 717 A	Floor mat		
16	477 863 717 A 07W	Black	76-77	1	924
	477 863 717 A 92V	Dark brown	76-77		
	477 863 717 A 24U	Red	77		
	477 863 717 A 43S	Black	78-		
	477 863 717 A 83S	Beige	78-		
	477 863 717 A 87S	Brown	78-		
	477 863 799	Sound absorber			
	16	477 863 799	Sound absorber		
(16)	477 863 893 A	Boot floor plate		1	
		Sound absorber		1	
17	944 556 609 00	Boot floor plate		1	
		Sound absorber		1	
18	993 556 521 00	Roof		1	
		Insulation		2	
19	944 556 089 00	Insulation	/LL	1	
		for engine compartment			
19A	477 863 871	Heat protection	/V /R	1	
19B	477 863 849	Side member		1	
		Insulation	/L /V	1	
20	477 863 837	Sound absorber	/V /L	1	
		Side section			
(20)	477 863 838	Sound absorber	/V /R	1	
		Side section			
(21)	477 863 845	Sound absorber	/L	1	924
		Heel plate			
(21)	477 863 845 A	F >>92482 01225			
		F >>92483 30098			
		Sound absorber	/L	1	
		Heel plate			
21	477 863 846	F 92482 01226>>			
		F 92483 30099>>			
		Sound absorber	/R	1	924
		Heel plate			
21	477 863 846 A	F >>92482 01225			
		F >>92483 30098			
		Sound absorber	/R	1	
		Heel plate			
(22)	477 863 865	F 92482 01226>>			
		F 92483 30099>>			
		Insulation	/H /L	1	
22	477 863 866	Sound absorber	/H /R	1	
		Side section			
23	477 863 867	Insulation		1	
		Spare-wheel well			
(24)	477 863 885	Insulation	/H /L	1	
24	477 863 886	Sound absorber	/H /R	1	
		Wheel housing			
25	477 863 895	Sound absorber		1	924

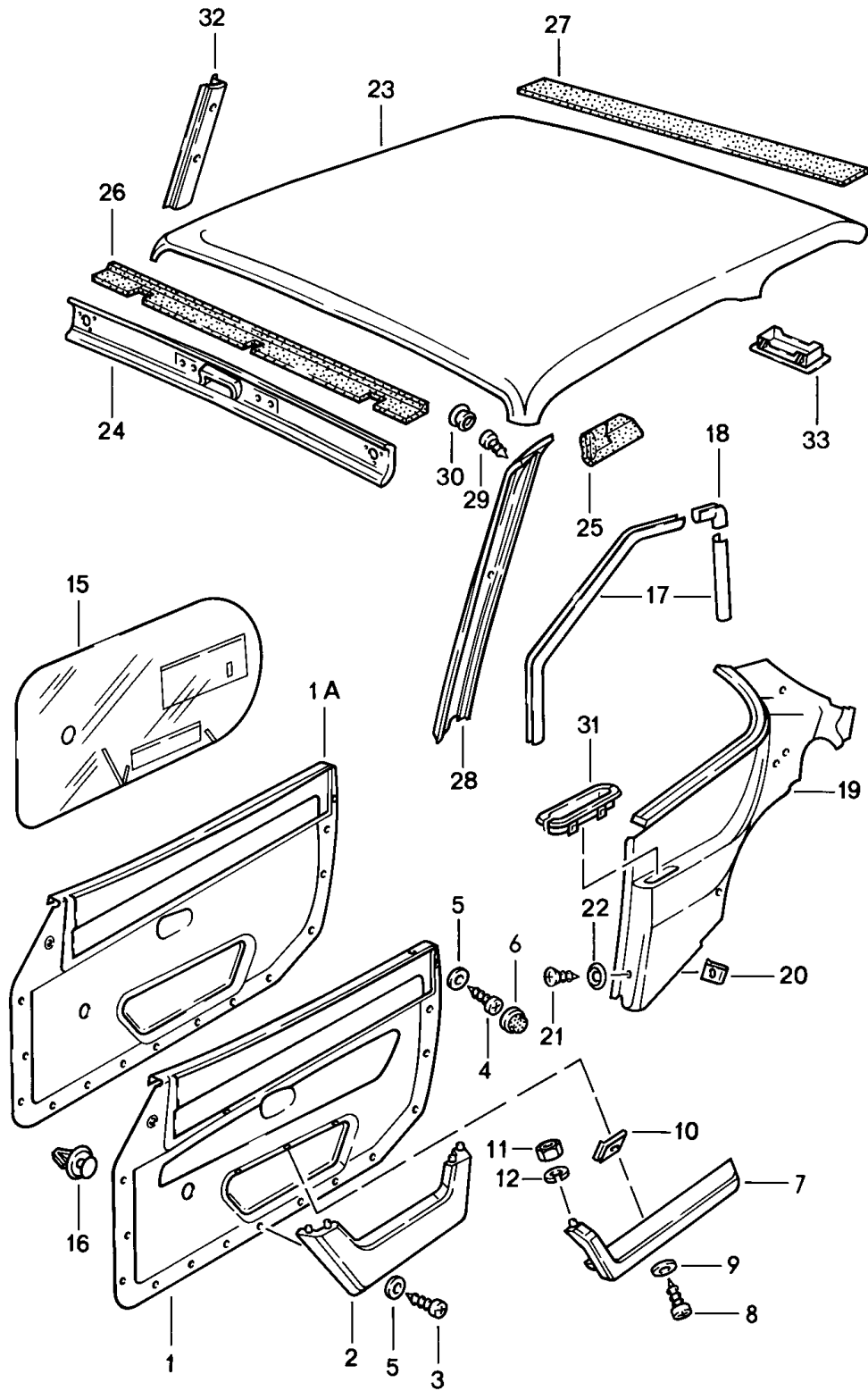
Model: 924 76

Model life 1976>>1979

Pos	Part Number	Description	Remark	Qty	Model
26	944 556 085 00	Seat well Sound absorber Cross member F 92482 01226>> F 92483 30099>>	/L	1	
(26)	944 556 086 00	Sound absorber Cross member F 92482 01226>> F 92483 30099>>	/R	1	

Model: 924 76

Model life 1976>>1979





Model: 924 76 Model life 1976>>1979

Pos	Part Number	Description	Remark	Qty	Model
(1)	477 867 011 F	Linings Door trim panel Power windows Manually adjustable Leatherette	/L	1	
	477 867 011 F CD4	Black/anthracite	76-77		
	477 867 011 F CG8	Gazelle/saddle tan	76-77		
	477 867 011 F CJ6	Black	77		
	477 867 011 F DF9	Black F >>92481 02502 F >>92482 04108 F >>92483 30204			
	477 867 011 F DG1	Brown F >>92481 02502 F >>92482 04108 F >>92483 30204			
	477 867 011 F DG2	Beige/brown F >>92481 02502 F >>92482 04108 F >>92483 30204			
1	477 867 012 F	Door trim panel Power windows Manually adjustable Leatherette	/R	1	
	477 867 012 F CD4	Black/anthracite	76-77		
	477 867 012 F CG8	Gazelle/saddle tan	76-77		
	477 867 012 F CJ6	Black	77		
	477 867 012 F DF9	Black F >>92481 02502 F >>92482 04108 F >>92483 30204			
	477 867 012 F DG1	Brown F >>92481 02502 F >>92482 04108 F >>92483 30204			
	477 867 012 F DG2	Beige/brown F >>92481 02502 F >>92482 04108 F >>92483 30204			
(1A)	477 867 011	Door trim panel Power windows Manually adjustable Leatherette	/L	1	
	477 867 011 DF9	Black F 92481 02503>> F 92482 04109>> F 92483 30205>>			
	477 867 011 DG1	Brown F 92481 02503>> F 92482 04109>> F 92483 30205>>			
	477 867 011 DG2	Beige/brown F 92481 02503>> F 92482 04109>> F 92483 30205>>			
1A	477 867 012	Door trim panel Power windows Manually adjustable Leatherette	/R	1	
	477 867 012 DF9	Black F 92481 02503>> F 92482 04109>> F 92483 30205>>			

Model: 924 76 Model life 1976>>1979

Pos	Part Number	Description	Remark	Qty	Model
	477 867 012 DG1	Brown F 92481 02503>> F 92482 04109>> F 92483 30205>>			
	477 867 012 DG2	Beige/brown F 92481 02503>> F 92482 04109>> F 92483 30205>>			
(1A)	477 867 011	Door trim panel Leatherette/ Cloth FISCHGRAET	/L	1	
	477 867 011 EH4	Black/ Black-white	79- 79-		
	477 867 011 EH5	Black/ Orange	79- 79-		
	477 867 011 EH6	Brown/ Brown-beige	79- 79-		
1A	477 867 012	Door trim panel Leatherette/ Cloth FISCHGRAET	/R	1	
	477 867 012 EH4	Black/ Black-white	79- 79-		
	477 867 012 EH5	Black/ Orange	79- 79-		
	477 867 012 EH6	Brown/ Brown-beige	79- 79-		
(1A)	477 867 011	Door trim panel	/L	1	
1A	477 867 012	Door trim panel	/R	1	
(1A)	477 867 011	Door trim panel Leatherette/ Tartan cloth	/L	1	
	477 867 011 EN4	Black/ Red-blue	79 79		
1A	477 867 012	Door trim panel Leatherette/ Tartan cloth	/R	1	
	477 867 012 EN4	Black/ Red-blue	79 79		
(1A)	477 867 011 B	Door trim panel Power windows Electrically adjustable Leatherette	/LL /L	1	
	477 867 011 B DF9	Black	78-		
	477 867 011 B DG1	Brown	78-		
	477 867 011 B DG2	Beige/brown	78-		
(1A)	477 867 012 B	Door trim panel Power windows Electrically adjustable Leatherette	/LL /R	1	
	477 867 012 B DF9	Black	78-		
	477 867 012 B DG1	Brown	78-		
	477 867 012 B DG2	Beige/brown	78-		
(1A)	477 867 011 B	Door trim panel Leatherette/ Cloth FISCHGRAET	/LL /L	1	
	477 867 011 B EH4	Black/ Black-white	79- 79-		
	477 867 011 B EH5	Black/ Orange	79- 79-		
	477 867 011 B EH6	Brown/ Brown-beige	79- 79-		

Model: 924 76

Model life 1976&gt;&gt;1979

Pos	Part Number	Description	Remark	Qty	Model
(1A)	477 867 012 B	Brown/beige Door trim panel Leatherette/ Cloth FISCHGRAET	79- /LL /R	1	
	477 867 012 B EH4	Black/ Black-white	79- 79-		
	477 867 012 B EH5	Black/ Orange	79- 79-		
	477 867 012 B EH6	Brown/ Brown/beige	79- 79-		
-	999 507 071 00	Speed nut		2	
(2)	477 867 133	Package box	/L	1	
	477 867 133 90V	Saddle Tan	76-77		
	477 867 133 01C	Black	76-		
	477 867 133 89S	Cadbury brown	78-		
2	477 867 134	Package box	/R	1	
	477 867 134 90V	Saddle Tan	76-77		
	477 867 134 01C	Black	76-		
	477 867 134 89S	Cadbury brown	78-		
3	N 013 962 2	Oval-head sheetmetal screw B 3,9 X 16		6	
4	311 867 167	Oval-head sheetmetal screw 4,2		4	
5	900 151 028 02	Washer 4,3		10	
5	900 151 028 01	Washer 4,3		10	
6	311 867 169	Cap		4	
	311 867 169 01C	Black	76-		
	311 867 169 90V	Brown	76-		
(7)	477 867 171	Armrest	/L	1	
	477 867 171 041	Black	76-		
	477 867 171 90V	Saddle Tan	76-77		
	477 867 171 89S	Brown	78-		
7	477 867 172	Armrest	/R	1	
	477 867 172 041	Black	76-		
	477 867 172 90V	Saddle Tan	76-77		
	477 867 172 89S	Brown	78-		
8	900 143 046 02	Oval-head sheetmetal screw B 4,8 X 16		6	
8	900 143 046 01	Oval-head sheetmetal screw B 4,8 X 16		6	
9	N 012 225 2	Spring washer B 5		6	
10	999 591 722 02	Speed nut B 4,8 X 19,8		6	
11	900 076 010 02	Nut M 6		2	
11	900 076 010 0B	Nut M 6		2	
12	N 012 026 1	Lock ring 6		2	
(15)	477 867 177 D	Sealing film	/L	1	
15	477 867 178 D	Sealing film	/R	1	
16	823 867 299	Door trim panel Clip		25	
17	477 867 367	Piping Door frame		4	
17	477 867 367 A	Piping Door frame A-pillar 1700MM		2	

Model: 924 76 Model life 1976>>1979

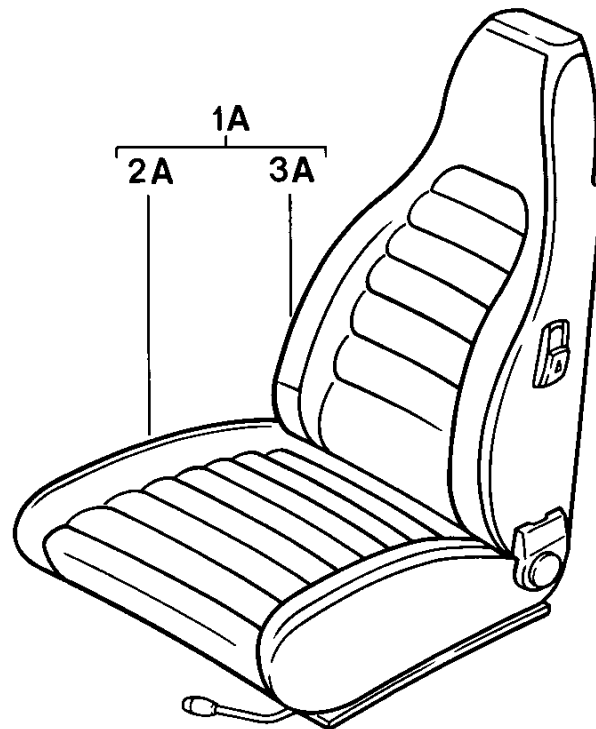
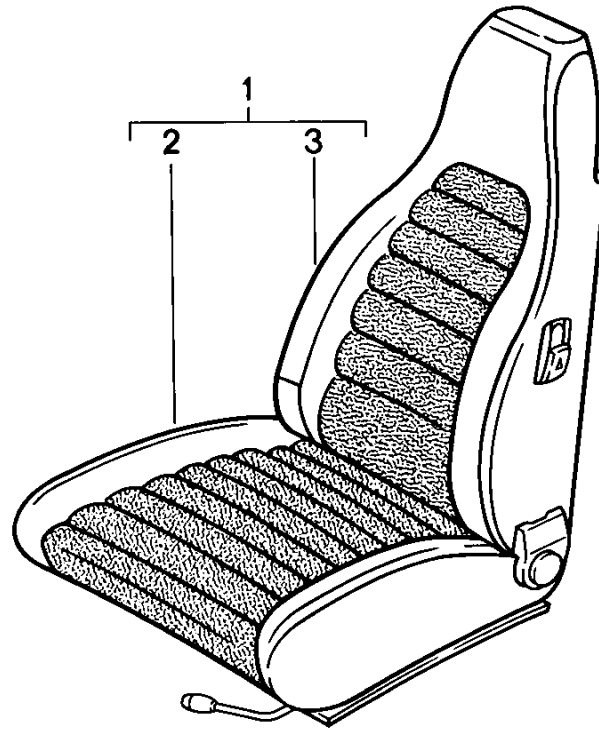
Pos	Part Number	Description	Remark	Qty	Model
17	477 867 367 B	Piping Door frame B-pillar 820MM		2	
18	477 867 371	Corner piece		2	
(19)	477 867 421	Lining Side section	/L	1	
	477 867 421 91V	Saddle Tan	76-77		
	477 867 421 05T	Black	76-		
	477 867 421 21S	Brown	78-		
19	477 867 422	Lining Side section	/R	1	
	477 867 422 91V	Saddle Tan	76-77		
	477 867 422 05T	Black	76-		
	477 867 422 21S	Brown	78-		
-	111 857 785	Screw plug		2	
-	111 857 795	Cover disc		2	
20	N 015 438 1	Speed nut B 3,5 X 16,5		2	
21	N 014 087 5	Oval-head sheetmetal screw B 3,5 X 16		4	
22	N 011 578 1	Cone washer 3,7		4	
23	477 867 503	Rooflining		1	
	477 867 503 041	Black	76-77		
	477 867 503 90V	Saddle Tan	76-77		
	477 867 503 05T	Black	78-		
	477 867 503 21S	Brown	78-		
(23)	477 867 501 A	Rooflining		1	M650
	477 867 501 A 041	Black	76-77		
	477 867 501 A 90V	Saddle Tan	76-77		
	477 867 501 A 05T	Black	78-		
	477 867 501 A 21S	Brown	78-		
-	477 867 543	Roof strut		3	
24	477 867 511	Lining Roof frame		1	
	477 867 511 041	Black	76-77		
	477 867 511 90V	Saddle Tan	76-77		
	477 867 511 05T	Black	78-		
	477 867 511 21S	Brown	78-		
(24)	477 867 513	Lining	/L (CDN) (USA)	1	
		Roof frame			
	477 867 513 041	Black	76-77		
	477 867 513 90V	Saddle Tan	76-77		
	477 867 513 05T	Black	78-		
	477 867 513 21S	Brown	78-		
(24)	477 867 514	Lining	/R (CDN) (USA)	1	
		Roof frame			
	477 867 514 041	Black	76-77		
	477 867 514 90V	Saddle Tan	76-77		
	477 867 514 05T	Black	78-		
	477 867 514 21S	Brown	78-		
25	944 555 115 00	Roof frame padding	/L	1	
(25)	944 555 116 00	Roof frame padding	/R	1	
26	477 867 531	Roof frame padding Centre	/V	1	M650
27	477 867 533	Roof frame padding	/H	1	M650
28	477 867 553	Lining Windscreen frame	/L	1	924
	477 867 553 041	Black	76-77		
	477 867 553 90V	Saddle Tan	76-77		

Model: 924 76 Model life 1976>>1979

Pos	Part Number	Description	Remark	Qty	Model
(28)	477 867 553 05T	Black	78	1	924
	477 867 553 21S	Brown	78		
	477 867 554	Lining	/R		
		Windscreen frame			
		F >>92481 00829			
28		F >>92482 01329		1	
		F >>92483 30100			
	477 867 554 041	Black	76-77		
	477 867 554 90V	Saddle Tan	76-77		
	477 867 554 05T	Black	78		
	477 867 554 21S	Brown	78		
	477 867 553 A	Lining	/L		
		Windscreen frame			
	477 867 553 A 05T	Black	78-		
	477 867 553 A 21S	Brown	78-		
(28)	477 867 553 A 041	Black	76-77	1	
	477 867 553 A 90V	Saddle Tan	76-77		
	477 867 554 A	Lining	/R		
		Windscreen frame			
		F 92481 00830>>			
		F 92482 01330>>			
		F 92483 30101>>			
29	477 867 554 A 05T	Black	78-	6	
	477 867 554 A 21S	Brown	78-		
	477 867 554 A 041	Black	76-77		
	477 867 554 A 90V	Saddle Tan	76-77		
	N 013 962 2	Oval-head sheetmetal screw			
30	914 552 233 10	Filler piece		6	
	914 552 233 10 01C	Black	76-		
	914 552 233 10 90V	Brown	76-		
30	914 552 233 10	Filler piece		6	
	914 552 233 10 01C	Black			
31	477 867 653	Rosette		2	
32	477 867 655	Lining	/L	1	
		Centre pillar			
	477 867 655 041	Black	76-77		
	477 867 655 90V	Saddle Tan	76-77		
	477 867 655 05T	Black	78-		
	477 867 655 21S	Brown	78-		
	477 867 656	Lining	/R		
		Centre pillar			
	477 867 656 041	Black	76-77		
	477 867 656 90V	Saddle Tan	76-77		
33	477 867 656 05T	Black	78-	2	
	477 867 656 21S	Brown	78-		
	477 867 923	Cap			
		F >>92471 06849			
		F >>92472 33559			
33		F >>92473 30159		2	
	477 867 923 01C	Black	76-77		
	477 867 923 90V	Saddle Tan	76-77		
	477 867 923 A	Cap			
	477 867 923 A 01C	Black	76-		
	477 867 923 A 90V	Saddle Tan	76-77		
	477 867 923 A 89S	Brown	78-		

Model: 924 76

Model life 1976>>1979



Model: 924 76

Model life 1976>>1979

Pos	Part Number	Description	Remark	Qty	Model
1	477 881 021 E	Front seat Complete Seat cover Front seat Leatherette/ Centre part Large checker pattern	/L	1	
	477 881 021 E CC1	Black/ Black/yellow	76-77		
	477 881 021 E CC2	Black/ Black/Silver	76-77		
	477 881 021 E CC4	Gazelle/ Saddle Tan	76-77		
(1)	477 881 022 E	Front seat Leatherette/ Centre part Large checker pattern	/R	1	
	477 881 022 E CC1	Black/ Black/yellow	76-77		
	477 881 022 E CC2	Black/ Black/Silver	76-77		
	477 881 022 E CC4	Gazelle/ Saddle Tan	76-77		
1	477 881 021 E	Front seat Leatherette/ Centre part Pin stripe velour	/L	1	
	477 881 021 E DA8	Black/ Black	77		
	477 881 021 E DA9	Gazelle/ Cork	77		
(1)	477 881 022 E	Front seat Leatherette/ Centre part Pin stripe velour	/R	1	
	477 881 022 E DA8	Black/ Black	77		
	477 881 022 E DA9	Gazelle/ Cork	77		
1	477 881 021 E	Front seat Leatherette/ Centre part FISCHGRAET	/L	1	
	477 881 021 E DC2	Beige/ Brown-beige	78-		
	477 881 021 E DC5	Brown/ Brown-beige	78-		
	477 881 021 E DC8	Black/ Orange	78-		
	477 881 021 E DD1	Black/ Black-white	78-		
(1)	477 881 022 E	Front seat Leatherette/ Centre part FISCHGRAET	/R	1	
	477 881 022 E DC2	Beige/ Brown-beige	78-		
	477 881 022 E DC5	Brown/ Brown-beige	78-		
	477 881 022 E DC8	Black/ Orange	78-		
	477 881 022 E DD1	Black/ Black-white	78-		

Model: 924 76 Model life 1976>>1979

Pos	Part Number	Description	Remark	Qty	Model
1	477 881 021 E	Front seat Leatherette/ Centre part Tartan cloth	/L	1	
	477 881 021 E EN3	Black/ Red-blue	(USA) 79		
(1)	477 881 022 E	Front seat Leatherette/ Centre part Tartan cloth	/R	1	
	477 881 022 E EN3	Black/ Red-blue	(USA) 79		
1	477 881 021 E	Front seat Leatherette/ Centre part Checker board velour	/L	1	
	477 881 021 E BQ3	Black/ Black/Silver	(USA) 78		
(1)	477 881 022 E	Front seat Leatherette/ Centre part Checker board velour	/R	1	
	477 881 022 E BQ3	Black/ Black/Silver	(USA) 78		
1A	477 881 021 F	Front seat Leatherette	/L	1	
	477 881 021 F BG2	Black	76-77		
	477 881 021 F CC5	Gazelle	76-77		
	477 881 021 F DD2	Beige	78-		
	477 881 021 F DD4	Brown	78-		
	477 881 021 F DD6	Black	78-		
(1A)	477 881 022 F	Front seat Leatherette	/R	1	
	477 881 022 F BG2	Black	76-77		
	477 881 022 F CC5	Gazelle	76-77		
	477 881 022 F DD2	Beige	78-		
	477 881 022 F DD4	Brown	78-		
	477 881 022 F DD6	Black	78-		
1A	477 881 021 H	Front seat Leather	/L	1	
	477 881 021 H 1AJ	Black			
	477 881 021 H 2NF	Beige			
	477 881 021 H 3NG	Brown			
(1A)	477 881 022 H	Front seat Leather	/R	1	
	477 881 022 H 1AJ	Black			
	477 881 022 H 2NF	Beige			
	477 881 022 H 3NG	Brown			
2	911 521 037 58	Seat cover Leatherette/ Centre part Large checker pattern	/L	1	
	911 521 037 58 CC1	Black/ Black/yellow	76-77		
	911 521 037 58 CC2	Black/ Black/Silver	76-77		
	911 521 037 58 CC4	Gazelle/ Saddle Tan	76-77		
(2)	911 521 038 58	Seat cover Leatherette/ Centre part Large checker pattern	/R	1	
	911 521 038 58 CC1	Black/	76-77		



Model: 924 76 Model life 1976>>1979

Pos	Part Number	Description	Remark	Qty	Model
	911 521 038 58 CC2	Black/yellow Black/	76-77		
	911 521 038 58 CC4	Black/Silver Gazelle/ Saddle Tan	76-77		
2	911 521 037 58	Seat cover Leatherette/ Centre part Pin stripe velour	/L	1	
	911 521 037 58 DA8	Black/ Black	77		
	911 521 037 58 DA9	Gazelle/ Cork	77		
(2)	911 521 038 58	Seat cover Leatherette/ Centre part Pin stripe velour	/R	1	
	911 521 038 58 DA8	Black/ Black	77		
	911 521 038 58 DA9	Gazelle/ Cork	77		
2	911 521 037 58	Seat cover Leatherette/ Centre part FISCHGRAET	/L	1	
	911 521 037 58 DC2	Beige/ Brown-beige	78-		
	911 521 037 58 DC5	Brown/ Brown-beige	78-		
	911 521 037 58 DC8	Black/ Orange	78-		
	911 521 037 58 DD1	Black/ Black-white	78-		
(2)	911 521 038 58	Seat cover Leatherette/ Centre part FISCHGRAET	/R	1	
	911 521 038 58 DC2	Beige/ Brown-beige	78-		
	911 521 038 58 DC5	Brown/ Brown-beige	78-		
	911 521 038 58 DC8	Black/ Orange	78-		
	911 521 038 58 DD1	Black/ Black-white	78-		
2	911 521 037 58	Seat cover Leatherette/ Centre part Tartan cloth	/L	1	
	911 521 037 58 EN3	Black/ Red-blue	(USA) 79		
(2)	911 521 038 58	Seat cover Leatherette/ Centre part Tartan cloth	/R	1	
	911 521 038 58 EN3	Black/ Red-blue	(USA) 79		
2	911 521 037 58	Seat cover Leatherette/ Centre part Checker board velour	/L	1	
	911 521 037 58 BQ3	Black/ Black/Silver	(USA) 78		

Model: 924 76 Model life 1976>>1979

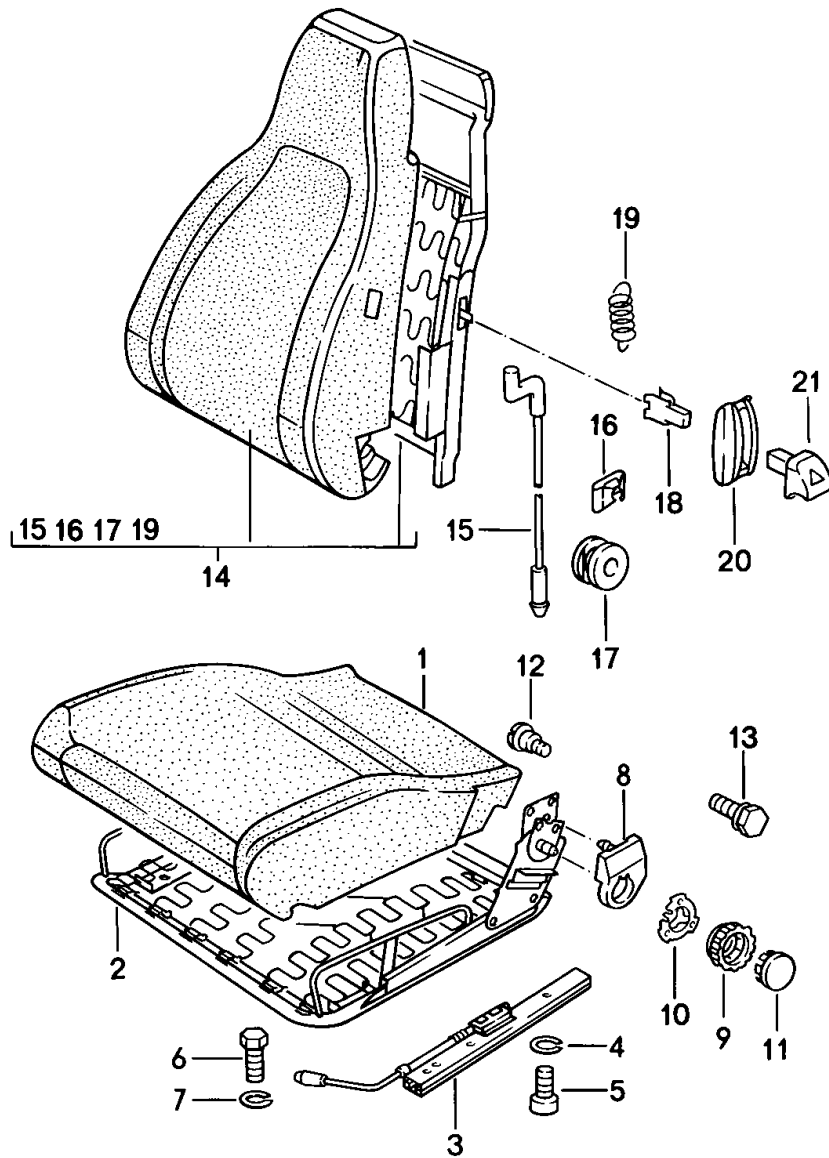
Pos	Part Number	Description	Remark	Qty	Model
(2)	911 521 038 58	Seat cover Leatherette/ Centre part Checker board velour	/R	1	
	911 521 038 58 BQ3	Black/ Black/Silver	(USA) 78		
2	911 521 037 58	Seat cover Leatherette/ Centre part Flock cord	/L	1	
	911 521 037 58 DB1	Black/ Red	77		
(2)	911 521 038 58	Seat cover Leatherette/ Centre part Flock cord	/R	1	
	911 521 038 58 DB1	Black/ Red	77		
2A	911 521 037 69	Seat cover Welded version Leatherette	/L	1	
	911 521 037 69 BG2	Black	76-77		
	911 521 037 69 CC5	Gazelle	76-77		
(2A)	911 521 038 69	Seat cover Welded version Leatherette	/R	1	
	911 521 038 69 BG2	Black	76-77		
	911 521 038 69 CC5	Gazelle	76-77		
(2)	911 521 037 57	Seat cover Sewed version Leatherette	/L	1	
	911 521 037 57 BG2	Black	77		
	911 521 037 57 CC5	Gazelle	77		
	911 521 037 57 DD2	Beige	78-		
	911 521 037 57 DD4	Brown	78-		
	911 521 037 57 DD6	Black	78-		
(2)	911 521 038 57	Seat cover Sewed version Leatherette	/R	1	
	911 521 038 57 BG2	Black	77		
	911 521 038 57 CC5	Gazelle	77		
	911 521 038 57 DD2	Beige	78-		
	911 521 038 57 DD4	Brown	78-		
	911 521 038 57 DD6	Black	78-		
(2)	911 521 037 60	Seat cover Leather	/L	1	
	911 521 037 60 1AJ	Black			
	911 521 037 60 2NF	Beige			
	911 521 037 60 3NG	Brown			
(2)	911 521 038 60	Seat cover Leather	/R	1	
	911 521 038 60 1AJ	Black			
	911 521 038 60 2NF	Beige			
	911 521 038 60 3NG	Brown			
3	911 521 072 59	Backrest cover Sewed version Leatherette/ Centre part Large checker pattern		2	
	911 521 072 59 CC1	Black/ Black/yellow	76-77		
	911 521 072 59 CC2	Black/ Black/Silver	76-77		

Model: 924 76 Model life 1976>>1979

Pos	Part Number	Description	Remark	Qty	Model
	911 521 072 59 CC4	Gazelle/ Saddle Tan	76-77		
3	911 521 072 59	Backrest cover Sewed version Leatherette/ Centre part Pin stripe velour		2	
	911 521 072 59 DA8	Black/ Black	77		
	911 521 072 59 DA9	Gazelle/ Cork	77		
3	911 521 072 59	Backrest cover Sewed version Leatherette/ Centre part FISCHGRAET		2	
	911 521 072 59 DC2	Beige/ Brown-beige	78-		
	911 521 072 59 DC5	Brown/ Brown-beige	78-		
	911 521 072 59 DC8	Orange Orange	78-		
	911 521 072 59 DD1	Black/ Black-white	78-		
3	911 521 072 59	Backrest cover Sewed version Leatherette/ Centre part Tartan cloth		2	
	911 521 072 59 EN3	Black/ Red-blue	(USA) 79		
3	911 521 072 59	Backrest cover Sewed version Leatherette/ Centre part Checker board velour		2	
	911 521 072 59 BQ3	Black/ Black/Silver	(USA) 78		
3	911 521 072 59	Backrest cover Sewed version Leatherette/ Centre part Flock cord		2	
	911 521 072 59 DB1	Black/ Red	77		
3A	911 521 072 69	Backrest cover Welded version Leatherette		2	
	911 521 072 69 BG2	Black	76-77		
	911 521 072 69 CC5	Gazelle	76-77		
3A	911 521 072 57	Backrest cover Sewed version Leatherette		2	
	911 521 072 57 BG2	Black	77		
	911 521 072 57 CC5	Gazelle	77		
	911 521 072 57 DD2	Beige	78-		
	911 521 072 57 DD4	Brown	78-		
	911 521 072 57 DD6	Black	78-		
3A	911 521 072 60	Backrest cover Leather		2	
	911 521 072 60 1AJ	Black			
	911 521 072 60 2NF	Beige			
	911 521 072 60 3NG	Brown			

Model: 924 76

Model life 1976>>1979



Model: 924 76

Model life 1976&gt;&gt;1979

Pos	Part Number	Description	Remark	Qty	Model
1	911 521 385 01	Front seat Single parts Foam part	/L	1	
(1)	911 521 386 01	Seat cushion Foam part	/R	1	
2	911 521 069 56	Seat cushion Seat frame	/L	1	
(2)	911 521 070 56	Seat frame	/R	1	
3	477 881 211	Seat rail with locking device	/L	1	
(3)	477 881 212	Seat rail with locking device	/R	1	
(3)	944 521 491 00	Seat rail		2	
(3)		Seat rail Inner See TPI GR.8 NR.34		2	
4	N 012 006 4	Lock ring B 6		8	
5	900 067 429 01	Pan-head screw		8	
5	900 067 009 02	Pan-head screw M 6 X 15		8	
5	900 067 429 01	Pan-head screw M 6 X 15		8	
6	N 010 215 13	Hexagon-head bolt M 6 X 15		8	
7	N 012 006 4	Lock ring B 6		8	
8	911 521 359 02	Cover	/L	1	
(8)	911 521 360 02	Cover	/R	1	
(9)	911 521 381 02	Cover for backrest adjustment Comprising: POS. 9 Shifting wheel POS. 11 ABDECKUNG DREHKNOPF		2	
9	911 521 381 00	Shifting wheel for backrest adjustment		2	
10	911 521 571 00	Tensioning spring		2	
11	911 521 383 00	Cover Rotary knob		2	
11	911 521 381 02	Cover Rotary knob		2	
12	911 521 371 00	Screw Inner		2	
13	911 521 547 00	Screw M 10 X 20		4	
14	477 881 047	Backrest without	/L	1	
(14)	477 881 048	Backrest cover Backrest without Backrest cover	/R	1	
15	911 521 361 00	Wire pull Release Backrest		2	
15	911 521 361 02	Wire pull Release Backrest		2	
16	911 521 369 00	Terminal for Cable		2	

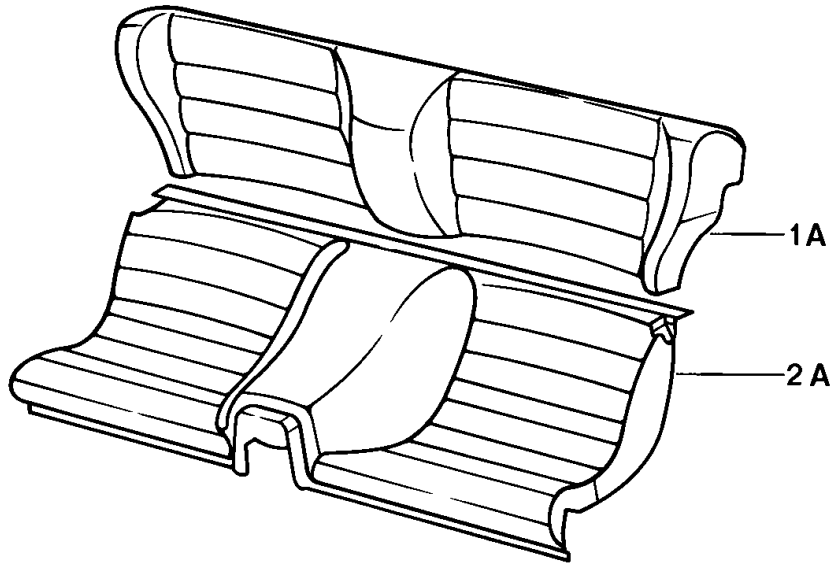
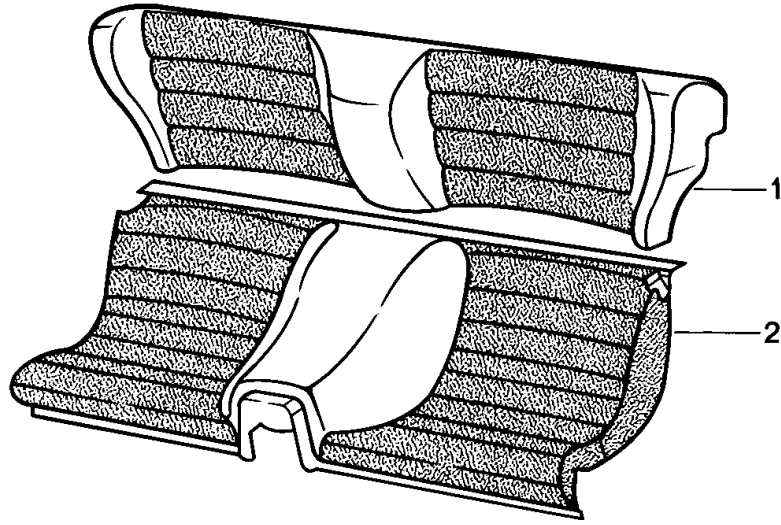
Model: 924 76

Model life 1976>>1979

Pos	Part Number	Description	Remark	Qty	Model
17	911 521 343 00	Guide bush		2	
18	311 881 247	Clip		2	
19	311 881 287 A	Tension spring		2	
20	311 881 607 A	Cover		2	
21	113 881 633 E	Control button		2	
	113 881 633 E 01C	Satin black			

Model: 924 76

Model life 1976>>1979



Model: 924 76 Model life 1976>>1979

Pos	Part Number	Description	Remark	Qty	Model
		Back seat Complete Single parts See group 8/08/20			
1	477 885 037 D	Backrest		1	
1		Backrest		1	
		Leatherette/ Centre part FISCHGRAET			
	477 885 037 D DC3	Beige/ Brown-beige Carpet	78- 78- 78-		
	477 885 037 D DC6	Beige Brown/ Brown-beige Carpet	78- 78- 78- 78-		
	477 885 037 D DC8	Brown Black/ Orange Carpet	78- 78- 78- 78-		
	477 885 037 D DD1	Black Black/ Black-white Carpet	78- 78- 78- 78-		
1	477 885 037 D	Black Backrest Leatherette/ Centre part Tartan cloth	78-	1	
	477 885 037 D EN3	Black/ Red-blue Carpet Black Beige	79 79 79 79 79		
1	477 885 037 D	Black Backrest Leatherette/ Centre part Checker board velour		1	
	477 885 037 D BQ3	Black/ Black/Silver Carpet Black	78 78 78 78		
1	477 885 037 D	Black Backrest Leatherette/ Centre part Flock cord		1	
	477 885 037 D DB1	Black/ Red Carpet Red	77 77 77 77		
1A	477 885 037 B	Black Backrest Sewed version Leatherette		1	
	477 885 037 B 92U	Gazelle/ Carpet Brown	76-77 76-77 76-77		
	477 885 037 B DB2	Black/ Carpet Red	77 77 77		
1A	477 885 037 D	Black Backrest Leatherette		1	
	477 885 037 D 041	Black/ Black/	76-77		



Model: 924 76 Model life 1976>>1979

Pos	Part Number	Description	Remark	Qty	Model
	477 885 037 D DD2	Carpet Black Beige/ Carpet	76-77 76-77 78- 78-		
	477 885 037 D DD4	Beige Brown Carpet	78- 78- 78-		
	477 885 037 D DD6	Brown Black/black Carpet	78- 78- 78-		
2	477 885 871 A	Black Seat cushion F >>92482 01225 F >>92483 30098 Leatherette/ Centre part FISCHGRAET	78- 78- 78- 78- 78- 78-	1	924
	477 885 871 A DC2	Beige/ Brown-beige	78- 78-		
	477 885 871 A DC5	Brown/ Brown-beige	78- 78-		
	477 885 871 A DD1	Black/ Black-white	78- 78-		
2	477 885 871 A	Seat cushion F >>92482 01225 F >>92483 30098 Leatherette/ Centre part Flock cord	78- 78- 78- 78- 78-	1	924
	477 885 871 A DB1	Black/ Red	77 77		
2	477 885 871 B	Seat cushion F 92482 01226>> F 92483 30099>>		1	
2		Seat cushion F 92482 01226>> F 92483 30099>> Leatherette/ Centre part FISCHGRAET		1	
	477 885 871 B DC2	Beige/ Brown-beige	78- 78-		
	477 885 871 B DC5	Brown/ Brown-beige	78- 78-		
	477 885 871 B DC8	Black/ Orange	78- 78-		
	477 885 871 B DD1	Black/ Black-white	78- 78-		
2	477 885 871 B	Seat cushion F 92482 01226>> F 92483 30099>> Leatherette/ Centre part Tartan cloth		1	
	477 885 871 B EN3	Black/ Red-blue	79 79		
2	477 885 871 B	Seat cushion F 92482 01226>> F 92483 30099>> Leatherette/ Centre part Checker board velour		1	
	477 885 871 B BQ3	Black/	78		

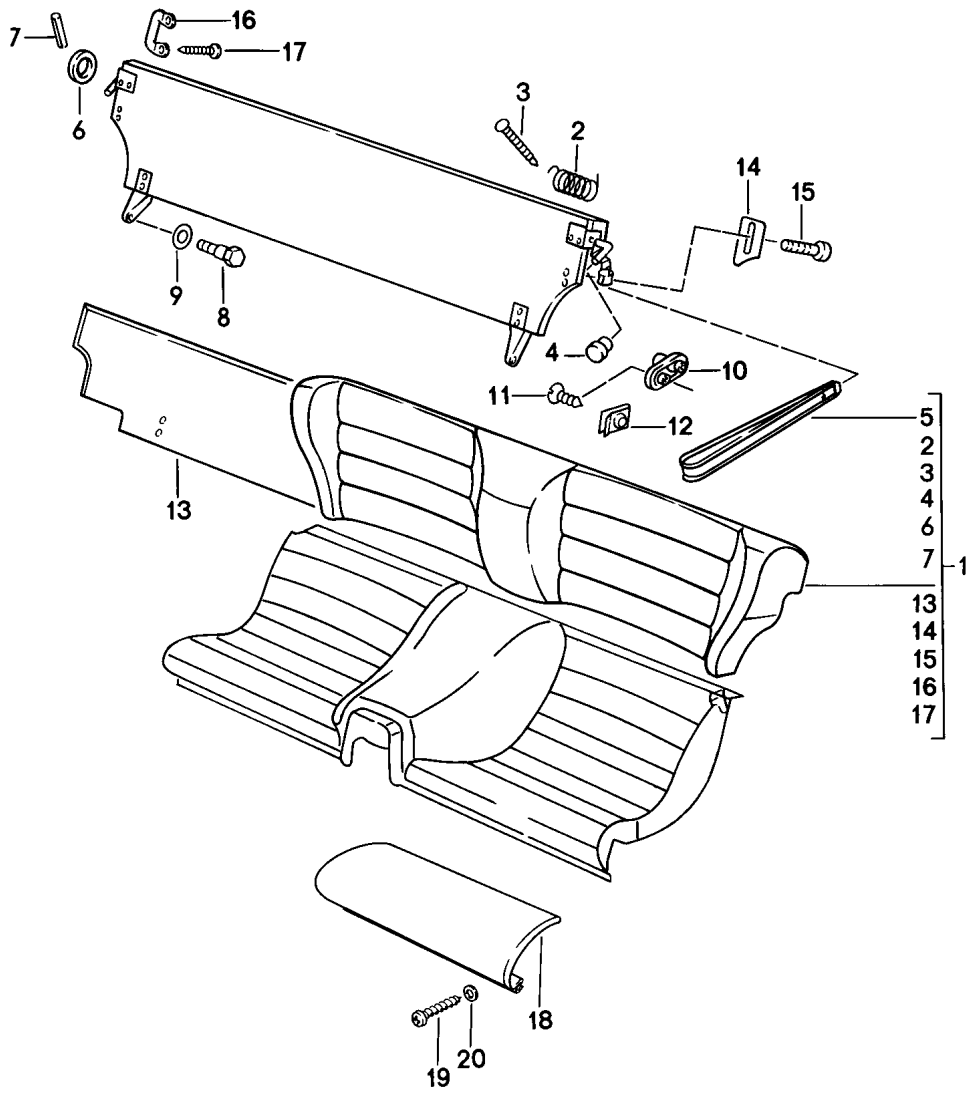
Model: 924 76

Model life 1976>>1979

Pos	Part Number	Description	Remark	Qty	Model
2A	477 885 871 A	Black/Silver Seat cushion F >>92482 01225 F >>92483 30098 Leatherette	78	1	924
	477 885 871 A 041	Black	76-77		
	477 885 871 A 92U	Gazelle	76-77		
	477 885 871 A DD2	Beige	78-		
	477 885 871 A DD4	Brown	78-		
	477 885 871 A DD6	Black	78-		
2A	477 885 871 B	Seat cushion F 92482 01226>> F 92483 30099>> Leatherette		1	
	477 885 871 B DD2	Beige	78-		
	477 885 871 B DD4	Brown	78-		
	477 885 871 B DD6	Black	78-		

Model: 924 76

Model life 1976>>1979

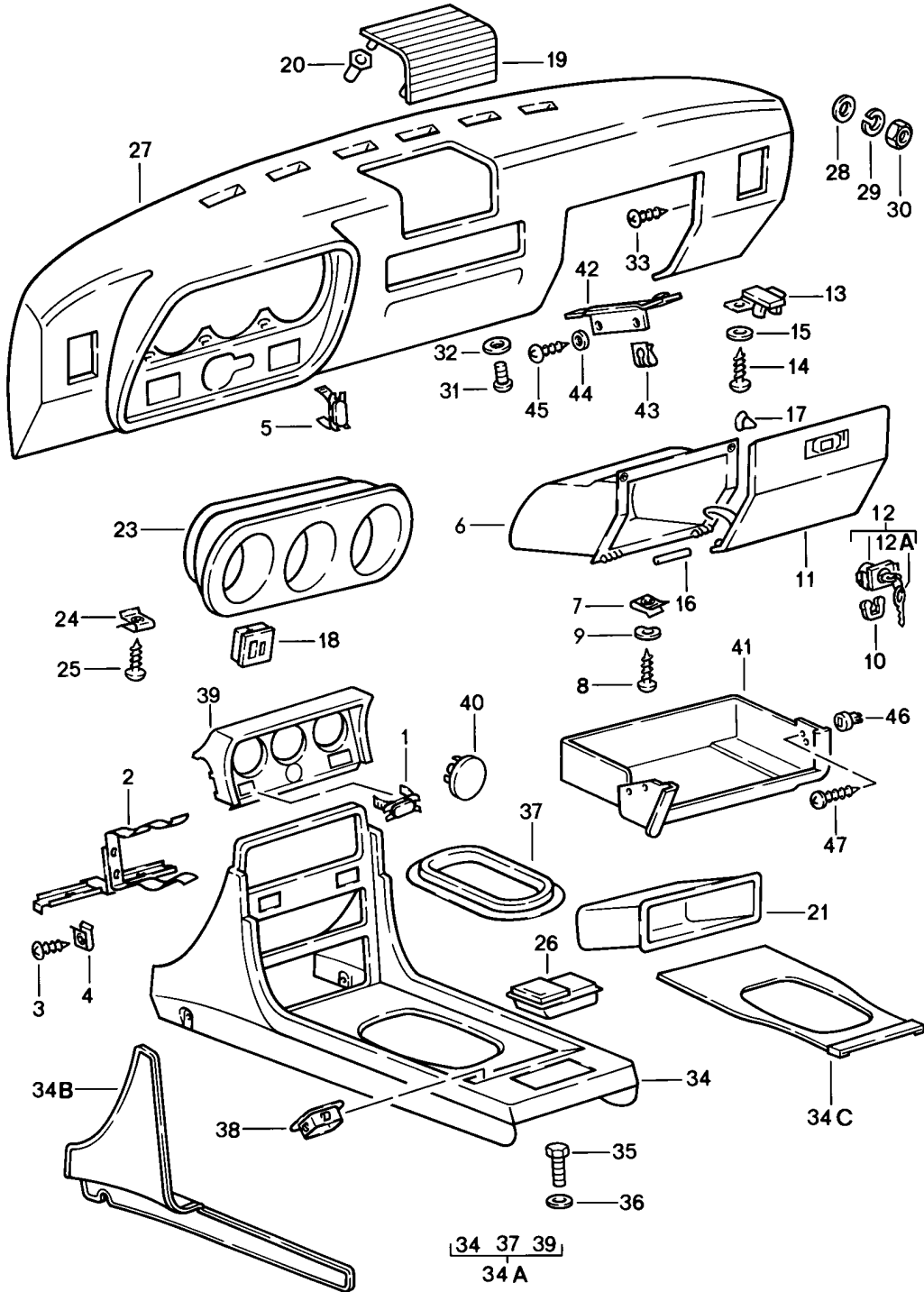


Model: 924 76 Model life 1976>>1979

Pos	Part Number	Description	Remark	Qty	Model
1		Back seat Single parts Backrest See group 8/08/05		1	
2	111 885 657	Spring		1	
3	113 881 899	Special tack		1	
4	477 885 699 B	Plug	/L	1	
(4)	477 885 699 C	Plug	/R	1	
5	477 885 667	Traction noose	/L	1	
	477 885 667 05T	Black			
	477 885 667 21S	Brown			
6	477 885 555	Cover		1	
7	900 197 010 00	Tensioning sleeve 3 X 22		1	
8	477 885 767	Hexagon-head bolt		2	
9	900 025 007 02	Washer A 8,4		2	
9	900 025 007 03	Washer A 8,4		2	
10	111 867 329 A	Locking lug	/L	1	
(10)	111 867 330 A	Locking lug	/R	1	
11	N 014 002 1	Counters. head tapp. screw B 6,3 X 22		4	
12	999 591 327 02	Speed nut B 6,3		4	
12	999 501 327 01	Speed nut B 6,3		4	
12	999 591 327 01	Speed nut B 6,3		4	
13	477 885 831 A	Cover		1	
	477 885 831 A 07W	Black	76-77		
	477 885 831 A 92V	Dark brown	76-77		
	477 885 831 A 24U	Red	77		
	477 885 831 A 43S	Black	78-		
	477 885 831 A 83S	Beige	78-		
	477 885 831 A 87S	Brown	78-		
14	477 885 865	Stop	/L	1	
(14)	477 885 866	Stop	/R	1	
15	N 014 155 1	Oval-head screw M 5 X 22		4	
16	477 885 761	Retaining bar		2	
17	N 014 096 3	Rais. counters. h. tap. s. B 4,2 X 22		4	

Model: 924 76

Model life 1976>>1979



Model: 924 76 Model life 1976>>1979

Pos	Part Number	Description	Remark	Qty	Model
1	133 957 087	Dashboard		1	
2	477 857 067 A	Cover		1	
		Support			
		Centre console			
3	N 013 957 5	Oval-head sheetmetal screw		2	
		BZ 3,5 X 9,5			
4	N 015 438 1	Speed nut		2	
		B 4,2 X 17			
6	477 857 095	Glove compartment		1	924
		F >>92481 00829			
		F >>92482 01329			
		F >>92483 30100			
(6)	477 857 095 A	Glove compartment		1	
		F 92481 00830>>			
		F 92482 01330>>			
		F 92483 30101>>			
7	N 015 422 2	Speed nut		2	
		B 4,2 X 17			
8	N 013 964 4	Oval-head sheetmetal screw		5	
		B 4,2 X 16			
9	900 151 028 02	Washer		5	
		B 5			
9	900 151 028 01	Washer		5	
		B 5			
10	133 857 119	Clamp		1	
	133 857 119 01C	Black			
11	477 857 123	Glove compartment cover	/LL	1	
	477 857 123 06W	Anthracite	76-77		
	477 857 123 041	Black	77		
	477 857 123 91V	Saddle Tan	76-77		
	477 857 123 05T	Black	78-		
	477 857 123 21S	Brown	78-		
-	477 853 149	Badge	77	1	
-	999 591 211 01	Tapping nut	77	2	
12	477 857 133 A	Lock		1	
		with keys			
	477 857 133 A 01C	Black			
12A	477 857 135 A	Blank key		2	
		Blank key			
		S 73 PROFIL SC			
12A	477 857 136 A	Key		1	
		with stipulated lock number			
		State lock number			
13	477 857 143	Lock bearing		1	
	477 857 143 01C	Black			
14	900 143 070 02	Oval-head sheetmetal screw		2	
		B 4,2 X 13			
15	900 025 002 02	Washer		2	
		A 4,3			
15	900 025 002 03	Washer		2	
		A 4,3			
16	N 013 209 2	Straight pin		2	
		4 H 8 X 36			
17	N 020 022 3	Stopper		2	
		A 8 X 1			
18	477 857 137	Cover	/L	1	
		Light switch			
	477 857 137 06W	Anthracite	76-77		
	477 857 137 90V	Saddle Tan	76-77		
	477 857 137 01C	Black	77-		
	477 857 137 89S	Brown	78-		
(18)	477 857 138	Cover	/R	1	
		Switch			

Model: 924 76 Model life 1976>>1979

Pos	Part Number	Description	Remark	Qty	Model
		Rear window heating			
	477 857 138 06W	Anthracite	76-77		
	477 857 138 90V	Saddle Tan	76-77		
	477 857 138 01C	Black	77-		
	477 857 138 89S	Brown	78-		
19	477 857 187	Loudspeaker grille		1	
		Loudspeaker			
	477 857 187 06W	Anthracite	76-77		
	477 857 187 90V	Saddle Tan	76-77		
	477 857 187 01C	Black	77-		
	477 857 187 89S	Brown	78-		
20	477 857 821	Grommet		4	
		Loudspeaker grille			
21	481 857 233 A	Package box		1	
23	477 857 283 A	Dashboard trim		1	
24	999 591 722 02	Speed nut		2	
		B 4,8 X 19,8			
25	900 143 046 02	Oval-head sheetmetal screw		2	
		B 4,8 X 16			
25	900 143 046 01	Oval-head sheetmetal screw		2	
		B 4,8 X 16			
26	477 857 305	Ashtray		1	
	477 857 305 01C	Black			
27	477 857 881	Dashboard	/LL	1	924
		F >>92481 00829			
		F >>92482 01329			
		F >>92483 30100			
	477 857 881 06W	Anthracite	76-77		
	477 857 881 91V	Saddle Tan	76-77		
	477 857 881 041	Black	76-77		
	477 857 881 05T	Black	78-		
	477 857 881 21S	Brown	78-		
27	477 857 881 A	Dashboard	/LL	1	
		F 92482 01330>>			
		F 92483 30101>>			
	477 857 881 A 05T	Black			
	477 857 881 A 21S	Brown			
(27)	477 898 881	Dashboard	/LL	1	924
	477 898 881 06W	Anthracite	76-77		
	477 898 881 05T	Black			
	477 898 881 91V	Saddle Tan			
28	N 011 612 3	Washer		2	
		R 7			
28	N 011 612 C	Washer		2	
		R 7			
29	N 012 036 1	Lock ring		2	
		B 6			
30	900 076 010 02	Nut		2	
		M 6			
30	900 076 010 0B	Nut		2	
		M 6			
31	N 014 140 5	Oval-head screw		1	
		AM 6 X 15			
32	N 011 524 7	Washer		1	
		A 6,4			
32	N 011 524 27	Washer		1	
		A 6,4			
33	900 143 007 02	Oval-head sheetmetal screw		4	
		B 4,2 X 19			
33	900 073 507 01	Oval-head sheetmetal screw		4	
		B 4,2 X 19			
34	477 857 909	Centre console		1	
	477 857 909 01C	Black	77-		

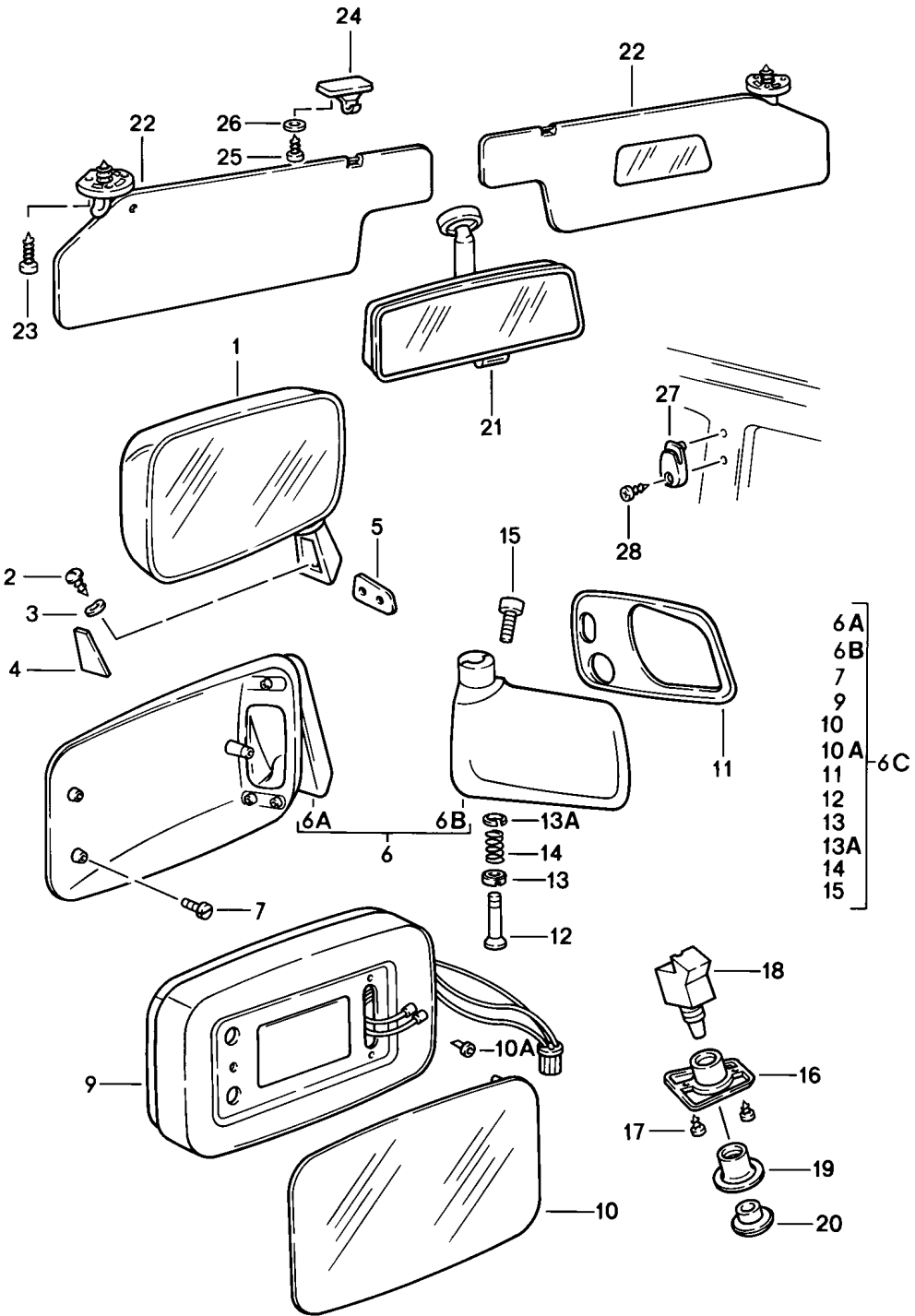
Model: 924 76 Model life 1976>>1979

Pos	Part Number	Description	Remark	Qty	Model
34A	477 857 909 89S	Cadbury brown	78-	1	
	477 898 951	Centre console	76-77		
	477 898 951 06W	Anthracite			
	477 898 951 90V	Saddle Tan			
35	N 013 891 1	Hexagon-head tapping screw M 8 X 15		2	
36	N 011 533 2	Washer B 8,4		2	
37	477 857 975	Support frame		1	
	477 857 975 06W	Anthracite	76-77		
	477 857 975 90V	Saddle Tan	76-77		
	477 857 975 01C	Black	77-		
38	477 857 975 89S	Brown	78-	X	
	911 552 469 00	Trim cover			
	39	477 857 977	Instrument insert		
40	477 857 977 CB9	Anthracite	76-77	2	
	477 857 977 CC3	Saddle Tan	76-77		
	477 857 977 01C	Black	77-		
	477 857 977 89S	Cadbury brown	78-		
41	841 863 267	Lid		1	
	841 863 267 041	Black			
(41)	477 857 836	Shelf	/LL	1	924 M573
	477 857 836 01C	Black			
	477 857 836 89S	Brown			
	477 857 836 A	Shelf	/LL -78	1	
	477 857 836 A 01C	Black			
	477 857 836 A 89S	Cadbury brown			
-	477 857 173	Clip	/LL	1	
42	477 857 195 A	Support	/LL	1	
43	N 015 422 2	Speed nut B 4,2 X 17	/LL	2	
44	900 025 002 02	Washer A 4,3	/LL	4	
44	900 025 002 03	Washer A 4,3	/LL	4	
45	N 013 964 4	Oval-head sheetmetal screw B 4,2 X 16	/LL	3	
(45)	N 013 971 3	Oval-head sheetmetal screw B 4,8 X 22	/LL	1	



Model: 924 76

Model life 1976>>1979



03101 1 01

Model: 924 76 Model life 1976>>1979

Pos	Part Number	Description	Remark	Qty	Model
1	477 857 501 B	Door mirror Interior mirror Sun visor	/L	1	
(1)	477 857 502 B	Door mirror Plane	/R	1	
(1)	477 857 501 A	Door mirror Convex	/L (J)	1	
(1)	477 857 502 A	Door mirror Convex	/R (J)	1	
2	N 014 132 4	Oval-head screw M 5 X 18		2	
3	N 012 225 2	Spring washer B 5		2	
4	861 857 519	Cap	/L	X	
(4)	861 857 519 A	Cover with bearing bracket	/L	X	
(4)	862 857 520	Cap	/R	X	
(4)	862 857 520 A	Cover with bearing bracket	/R	X	
5	477 857 543	Desk pad Door mirror Electrically adjustable F 92482 04109>> F 92483 30205>>		1	
6	928 731 023 04	Mirror housing	/LL /L	1	
(6)	928 731 024 04	Mirror housing	/LL /R	1	
6A	911 731 043 00	Mirror housing	/L	1	
(6A)	911 731 044 00	Mirror housing	/R	1	
6B	944 731 141 00	Mirror base	/LL /L	1	
(6B)	944 731 142 00	Mirror base	/LL /R	1	
6C	477 898 027	Door mirror Plane	/LL /L (CDN) (USA)	1	
(6C)	477 898 028	Door mirror Plane	/LL /R (CDN) (USA)	1	
(6C)	477 898 029	Door mirror Convex	/LL /L (J)	1	
(6C)	477 898 030	Door mirror Convex	/LL /R (J)	1	
7	999 143 003 02	Hexagon-head bolt M 5 X 10		3	
9	911 731 027 06	Covering frame Repair kit for Covering frame Bayonet lock Comprising:		1	
-	PCG 731 028 06	Electronic unit Engine	/R /L	1	
-	944 731 027 01	Door mirror Covering frame	/R /L	1	
10	944 731 035 02	Use also: Mirror glass Plane	/L	1	
10	944 731 035 06	Bayonet lock Mirror glass Convex	/R	1	
10	911 731 035 00	Bayonet lock Mirror glass Plane	(CDN) (USA)	1	

Model: 924 76 Model life 1976>>1979

Pos	Part Number	Description	Remark	Qty	Model
(10)	911 731 035 01	Mirror glass Convex	(J)	1	
10A	999 703 128 40	Grommet		3	
11	944 731 505 00	Desk pad	/LL /L	1	
(11)	944 731 508 00	Desk pad	/LL /R	1	
12	911 731 257 02	Guide tube		1	
12	911 731 257 03	Guide tube		1	
13	911 731 345 02	Centring washer		1	
13A	911 731 347 00	Centring washer		1	
14	911 731 029 01	Compression spring		1	
15	900 186 042 02	Pan-head screw M 5 X 40		1	
16	477 867 181	Mounting piece		1	
17	N 014 090 5	Rais. counters. h. tap. s. 3,9 X 13		2	
18	911 613 115 00	Switch		1	
19	928 555 463 02	Threaded bush		1	
20	928 613 462 00	Knob electrical components		1	
-	477 971 111	Door mirror Wiring harness		1	
-	477 971 115 A	Door mirror Driver's door Wiring harness	/LL	1	
-	477 971 910	Door mirror Dashboard Bellows See group 8/04/00 electrical components		1	
-	477 971 115	Door mirror Wiring harness	/LL	2	
-	477 971 113	Door mirror Dashboard Wiring harness		1	
-	477 955 703	Door mirror Passenger's door Rocker switch	/LL	1	
-	803 971 979	Passenger's side Plug socket		X	
-	477 971 910	Bellows See group 8/04/00		2	
-	477 898 025	Installation set Adjustable and heatable Door mirror Plane See group 8/98/00	/LL /L	1	
-	477 898 026	Installation set Adjustable and heatable Door mirror Plane See group 8/98/00	/LL /R	1	
21	477 857 511	Interior mirror Inner		1	
21	477 857 511 A	Interior mirror		1	
21	477 857 511 A 01C	Satin black			
21	477 857 511 B	Interior mirror		1	
21	477 857 511 B 01C	Satin black			
22	477 857 551	Sun visor without mirror	/LL /L	1	

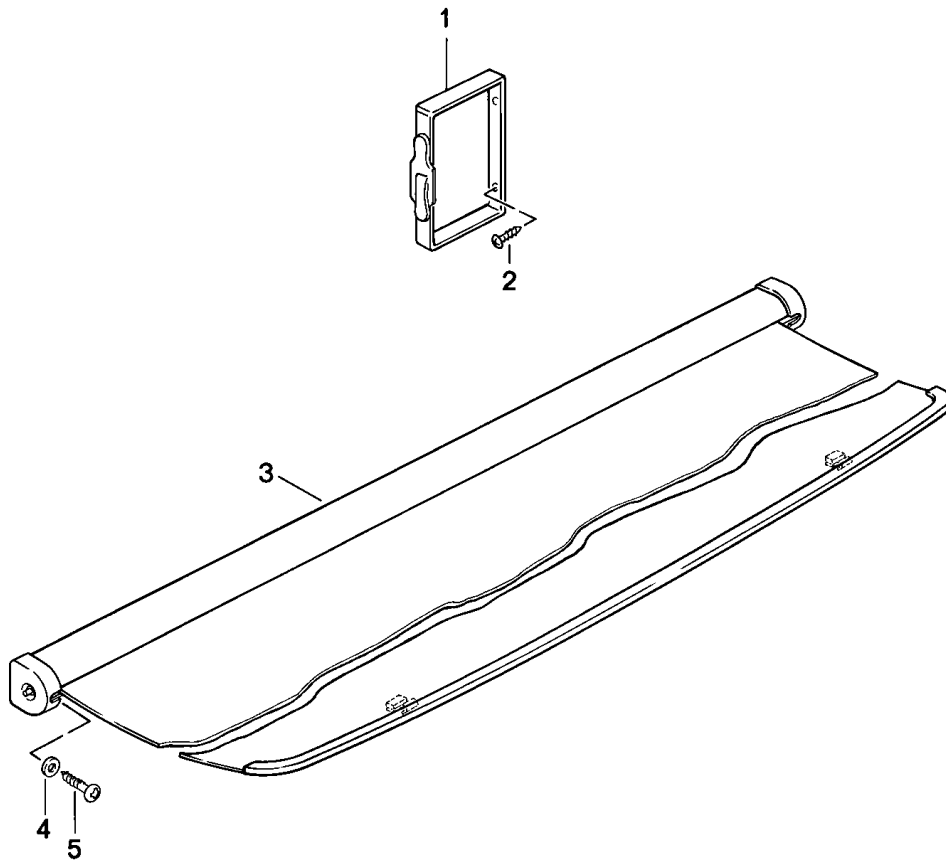
Model: 924 76

Model life 1976>>1979

Pos	Part Number	Description	Remark	Qty	Model	
(22)	477 857 551 90V	Saddle Tan	76-77	1	924	
	477 857 551 05T	Black				
	477 857 551 21S	Brown	78-			
	477 857 552	Sun visor with mirror	/R			
(22)	477 857 552 041	Black	76-77	1		
	477 857 552 90V	Saddle Tan	76-77			
	477 857 552 C	Sun visor with mirror	/R			
	477 857 552 C 05T	Black	78-			
(22)	477 857 552 C 21S	Brown	78-	1		
	477 857 552 A	Sun visor without mirror	/R			
	477 857 552 A 041	Black				
	477 857 552 A 90V	Saddle Tan	76-77			
23	477 857 552 A 05T	Black				
	477 857 552 A 21S	Brown	78-			
	N 014 096 3	Rais. counters. h. tap. s. B 4,2 X 22				6
	803 857 561 A	Support Sun visor				2
25	900 143 047 07	Tapping screw B 4,2 X 19		4		
25	900 073 007 01	Tapping screw B 4,2 X 19		4		
26	900 151 028 02	Washer B 4,3		4		
	900 151 028 01	Washer B 4,3		4		
27	171 857 635	Coat hook		2		
	171 857 635 01C	Black				
28	171 857 650	Oval-head sheetmetal screw 4,8 X 16		2		

Model: 924 76

Model life 1976>>1979



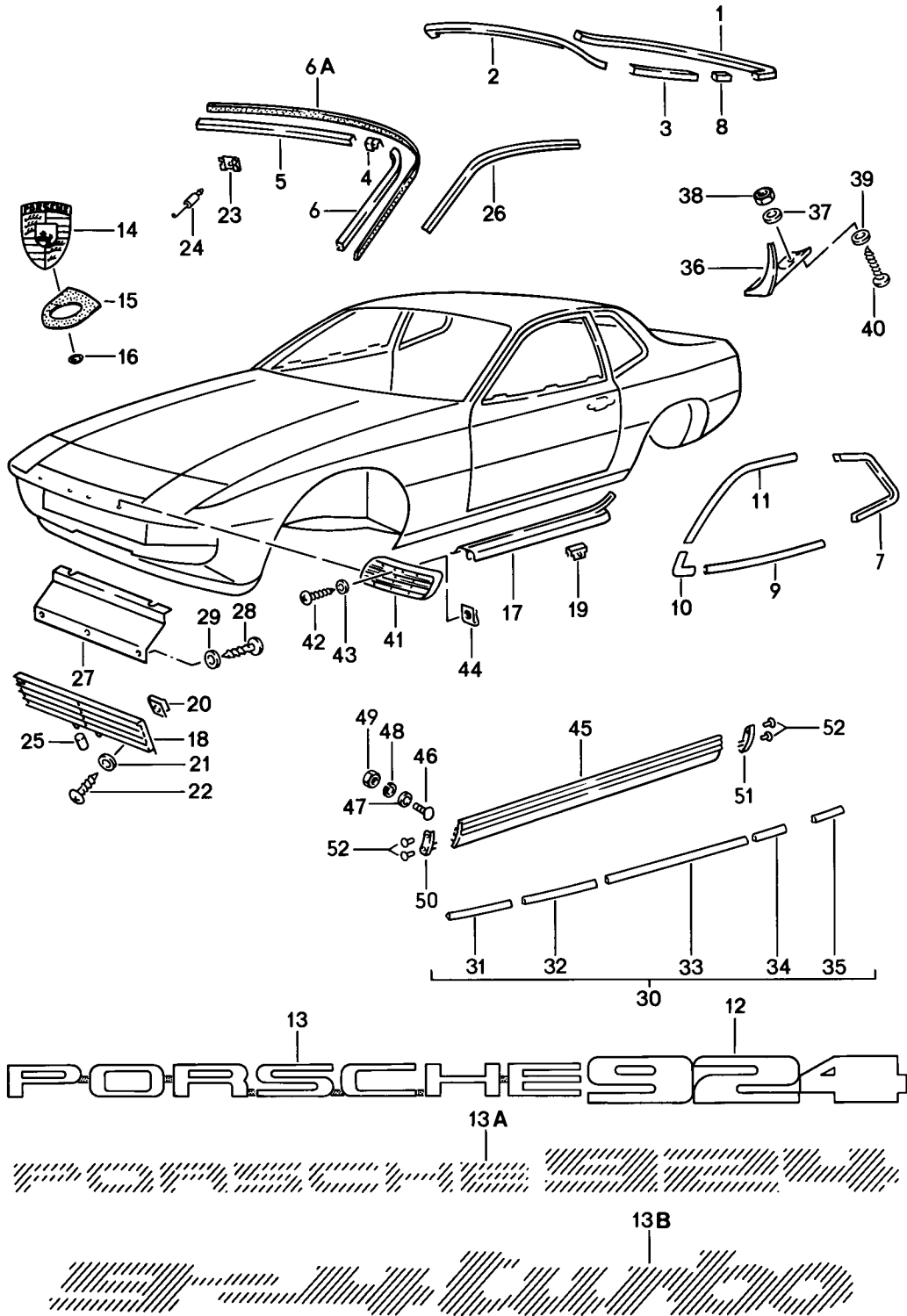
Model: 924 76

Model life 1976>>1979

Pos	Part Number	Description	Remark	Qty	Model
1	171 860 273	Luggage compartment cover		1	
		Retaining strap			
-	171 860 269	First-aid kit		1	
		Retaining bracket			
		First-aid kit			
2	900 145 035 02	Rais. counters. h. tap. s. 4,2 X 16		2	
3	477 863 511	Luggage compartment cover	76-77	1	
	477 863 511 041	Black	76-77		
	477 863 511 90V	Saddle Tan	76-77		
(3)	477 863 511 A	Luggage compartment cover		1	
	477 863 511 A 05T	Black			
	477 863 511 A 89S	Brown	78-		
-	477 863 517 A	Lid	/L	1	
		Housing			
		Luggage compartment cover			
		17,5 MM			
	477 863 517 A 05T	Black			
	477 863 517 A 89S	Brown			
-	477 863 518 A	Lid	/R	1	
		Housing			
		Luggage compartment cover			
		17,5 MM			
	477 863 518 A 05T	Black			
	477 863 518 A 89S	Brown			
-	477 863 517 B	Lid	/L	1	
		Housing			
		Luggage compartment cover			
		16 MM			
	477 863 517 B 05T	Black			
-	477 863 518 B	Lid	/R	1	
		Housing			
		Luggage compartment cover			
		16 MM			
	477 863 518 B 05T	Black			
4	900 025 003 02	Washer		2	
		A 5,3			
5	N 013 971 3	Oval-head sheetmetal screw		2	
		4,8 X 22			
-	477 863 539	Luggage net		1	

Model: 924 76

Model life 1976>>1979



Model: 924 76 Model life 1976>>1979

Pos	Part Number	Description	Remark	Qty	Model
1	477 853 311	Trim frame Insignias		1	924
2	477 853 313	Trim frame Rear window		1	924
3	477 853 315	Trim frame	/L	1	924
(3)	477 853 316	Trim frame Rear window	/R	1	924
4	477 853 339	Sleeve	/L	1	924
(4)	477 853 340	F >>92482 04015 F >>92483 30200 Sleeve	/R	1	924
5	477 853 343	F >>92482 04015 F >>92483 30200 Moulding		1	924
5	477 853 343 A	Moulding		1	
6	477 853 345	F 92482 03995>> F 92483 30199>> Moulding	/L	1	924
6	477 853 019	F >>92482 03994 F >>92483 30198 Moulding	/L	1	
(6)	477 853 346	F 92482 03995>> F 92483 30199>> Moulding	/R	1	924
(6)	477 853 020	F >>92482 03994 F >>92483 30198 Moulding	/R	1	
7	477 853 365	F 92482 03995>> F 92483 30199>> Trim frame	/L	1	924
(7)	477 853 366	Chrome Trim frame	/R	1	924
8	477 853 367	Chrome Sleeve		4	924
9	477 853 371 A	Trim frame Moulding	/L	1	924
(9)	477 853 372 A	Chrome Moulding	/R	1	924
10	477 853 375	Chrome Moulding		2	924
11	477 853 373 A	Chrome Moulding	/L	1	924
(11)	477 853 374 A	Door Chrome Moulding	/R	1	924
12	477 853 605	Door Chrome Logo	-78	1	924
13	477 853 606	Logo	-78	1	924
-	477 853 663	Grommet	-78	6	924
13A	477 853 625	Logo	/H 79-	1	924
(13A)	477 853 625 A	Adhesive film Black Logo	/H 79-	1	924
14	901 559 210 20	Adhesive film White Lid emblem		1	
14	901 559 210 26	Lid emblem		1	
15	901 559 215 20	Desk pad		1	



Model: 924 76 Model life 1976>>1979

Pos	Part Number	Description	Remark	Qty	Model
15	7L5 853 611 B	Desk pad		1	
16	999 591 423 03	Tapping nut		2	
17	477 853 657 A	Scuff plate	/L	1	
(17)	477 853 658 A	Scuff plate	/R	1	
18	944 559 135 00	Radiator grille		1	
19	477 853 655	Clamp		10	
19	999 507 851 01	Clamp		10	
20	N 015 438 1	Speed nut		2	
		B 3,5 X 16,5			
21	900 151 028 02	Washer		2	
		B 4,3			
21	900 151 028 01	Washer		2	
		B 4,3			
22	N 013 959 3	Oval-head sheetmetal screw		2	
		B 3,5 X 16			
22	900 143 016 01	Oval-head sheetmetal screw		2	
		B 3,5 X 16			
23	928 559 285 02	Clamp		16	924
		F >>92482 04015			
		F >>92483 30200			
23	477 853 659 B	Clamp		16	924
		F 92482 04016>>			
		F 92483 30201>>			
23	477 853 659 C	Clamp		16	924
		F 92482 04016>>			
		F 92483 30201>>			
24	431 805 121 A	Bolt		16	
25	477 853 661	Grommet		2	
26	477 853 705	Roof moulding	/L	1	
(26)	477 853 706	Roof moulding	/R	1	
27	477 853 715	Cooling air duct	-78	2	924
(27)	477 853 717	Cooling air duct	-78	1	924
					M573
28	900 143 007 02	Oval-head sheetmetal screw	-78	3	924
		B 4,2 X 13			
28	900 073 507 01	Oval-head sheetmetal screw		3	924
		B 4,2 X 13			
29	900 151 028 02	Washer	-78	3	924
		B 4,3			
29	900 151 028 01	Washer		3	924
		B 4,3			
30	477 853 995	Set of moldings		1	
		Moulding			
		Comprising:			
31	477 853 981	Side guard	/L	1	
(31)	477 853 982	Side guard	/R	1	
		Body front section			
		285 MM			
32	477 853 983	Side guard	/L	1	
(32)	477 853 984	Side guard	/R	1	
		Body front section			
		395 MM			
33	477 853 985	Side guard	/L	1	
(33)	477 853 986	Side guard	/R	1	
		Door			
		1123 MM			
34	477 853 987	Side guard	/H /L	1	
(34)	477 853 988	Side guard	/H /R	1	
		285 MM			
35	477 853 989	Side guard	/H /L	1	
(35)	477 853 990	Side guard	/H /R	1	
		438 MM			
36	477 853 383	Wheel cover	/L	1	

Model: 924 76 Model life 1976>>1979

Pos	Part Number	Description	Remark	Qty	Model
(36)	477 853 384	Wheel cover Not for	/R (S)	1	
37	N 011 692 3	Washer 5,1		8	
38	N 021 196 1	Lock nut M 5		8	
38	N 021 196 3	Hexagon nut M 5		8	
-	211 853 611	Rubber washer		6	
-	N 012 068 1	Clamping washer A 4		2	
39	900 025 002 02	Washer		2	
39	900 025 002 03	Washer		2	
40	N 013 964 4	Oval-head sheetmetal screw B 4,2 X 16		2	
-	477 853 665	Logo	/L	1	
-	477 853 666	Logo "S" Lid	/R  /V	1	
-	477 853 665 A	Light Logo	/L	1	
-	477 853 666 A	Logo "S" Lid Dark Decorative film Stripe Special model White	/R  /V	1	
-	477 853 609	Adhesive film	/L	1	924
-	477 853 610	Adhesive film MARTINI 1 set Special model Dolomite grey Metallic Stripe Black/Silver	/R  (USA)	1	924
-	477 853 617	Decorative film	/L /V	1	924
-	477 853 618	Decorative film	/R /V	1	924
-	477 853 619	Decorative film	/L	1	924
-	477 853 620	Decorative film Centre	/R	1	924
-	477 853 621	Decorative film	/L /H	1	924
-	477 853 622	Decorative film	/R /H	1	924
-	477 853 623	Decorative film Special model Guards red SEBRING Stripe Yellow/red/white/black	/H  (USA)	1	924
-	477 853 937	Set of lateral stripes 1 set Comprising:		1	924
-	477 853 617 C	Decorative film	/V /L	1	924
-	477 853 618 C	Decorative film	/V /R	1	924
-	477 853 619 C	Decorative film	/L	1	924
-	477 853 620 C	Decorative film	/R	1	924
-	477 853 621 C	Decorative film	/H /L	1	924
-	477 853 622 C	Decorative film	/H /R	1	924
-	477 853 623 C	Stripe	/H	1	
-	477 853 629	Logo "SEBRING 79"		2	

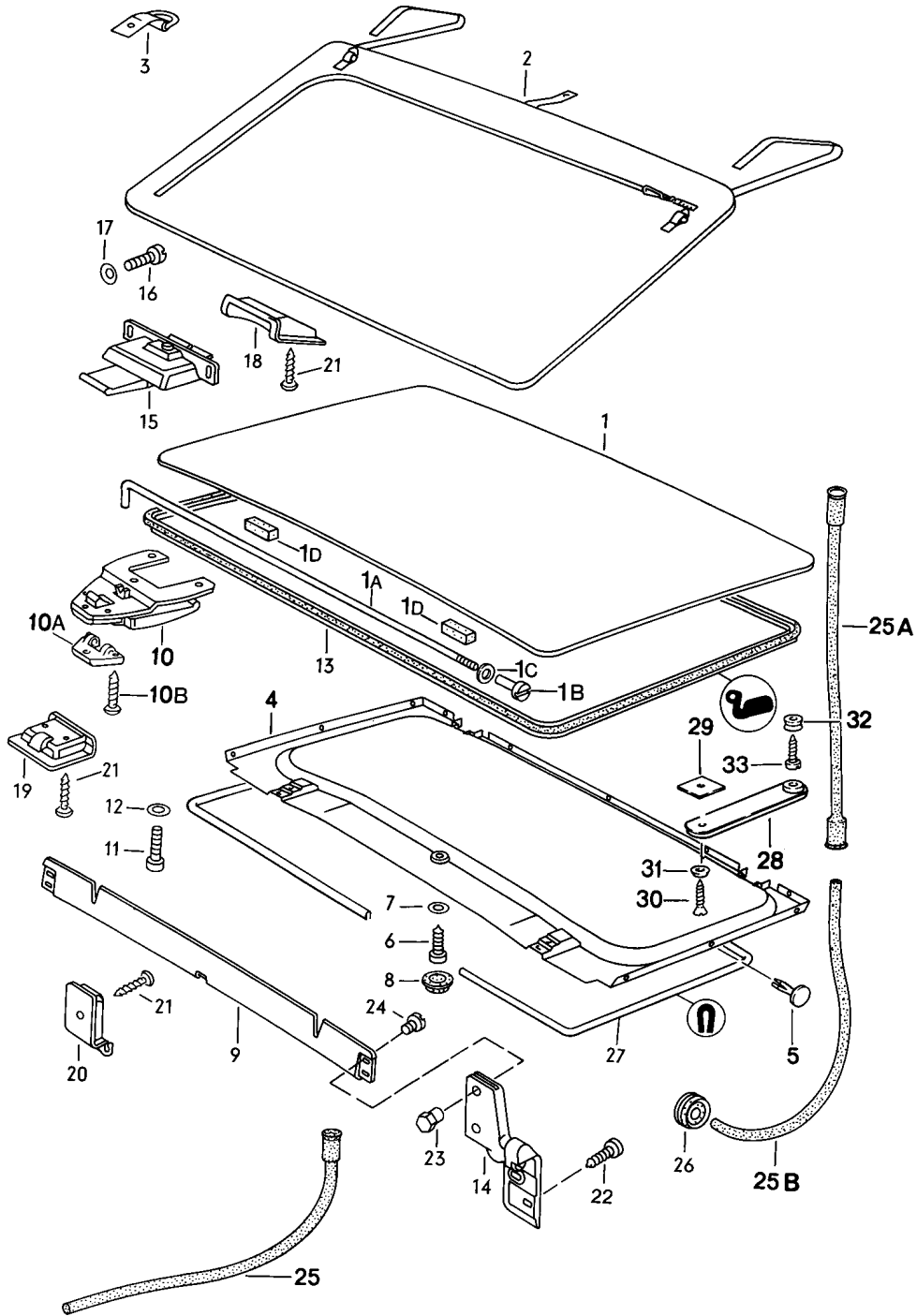
Model: 924 76

Model life 1976>>1979

Pos	Part Number	Description	Remark	Qty	Model
-	477 853 631	Logo	/V	1	924
-	911 559 319 06	Logo Porsche Lateral Black Hatched		2	
-	911 559 319 07	Logo Porsche Lateral White Hatched		2	

Model: 924 76

Model life 1976>>1979



Model: 924 76 Model life 1976>>1979

Pos	Part Number	Description	Remark	Qty	Model
		Lifting roof			M650
1	477 871 021	Roof		1	
1A	477 871 761	Tensioning device		1	
1B	477 871 763 A	Threaded bush		1	
1C	N 012 226 5	Spring washer B 6		1	
1D	477 871 789	Sealing strip		2	
2	477 871 027	Retaining pocket		1	
	477 871 027 05T	Black	76-		
	477 871 027 92V	Dark brown	76-77		
	477 871 027 21S	Brown	78-		
3	477 871 029	Support		1	
		Retaining pocket			
	477 871 029 041	Black	76-		
	477 871 029 90V	Dark brown	76-		
4	477 871 047	Lining		1	
	477 871 047 041	Black			
	477 871 047 90V	Brown	76-77		
	477 871 047 05T	Black	78-		
	477 871 047 21S	Brown	78-		
5	477 871 053	Expansion rivet		11	
6	311 867 167	Oval-head sheetmetal screw 4,2		1	
7	900 151 028 02	Washer 4,3		1	
7	900 151 028 01	Washer 4,3		1	
8	311 867 169	Cap		1	
	311 867 169 01C	Black	76-		
	311 867 169 90V	Brown	76-		
9	944 564 993 00	Air deflector		1	
10	477 871 217	Roof catch	/V	2	
10A	477 871 219	Bearing bracket		2	
	477 871 219 01C	Black			
10B	N 033 174 1	Countersunk-head screw 3 X 6		6	
10B	900 269 001 01	Countersunk-head screw 3 X 6		6	
11	N 033 018 1	Lens-head screw M 5 X 12		2	
12	999 704 605 07	Cone washer		2	
13	944 564 114 01	Gasket		1	
14	477 871 635 A	Hinge	/L	1	
(14)	477 871 636 A	Hinge	/R	1	
15	477 871 649	Roof catch	/H	2	
16	900 146 003 02	Oval-head screw AM 5 X 11		8	
17	N 012 225 2	Spring washer B 5		4	
18	477 871 651 A	Locking bracket		2	
19	477 871 665 A	Centring wedge	/V	2	
20	477 871 683 A	Bearing		1	
21	N 013 964 4	Oval-head sheetmetal screw B 4,2 X 16		9	
22	900 143 031 02	Oval-head sheetmetal screw		4	
23	477 871 701 A	Cap nut		4	
24	477 837 959	Self-lock. fillister screw		4	
25	321 877 233 C	Water drain hose	/V	2	
26	021 119 569	Rubber sleeve		4	
27	944 564 621 00	Edge protection		1	
28	477 871 501	Securing strap		1	
	477 871 501 43S	Black			
	477 871 501 87S	Brown			

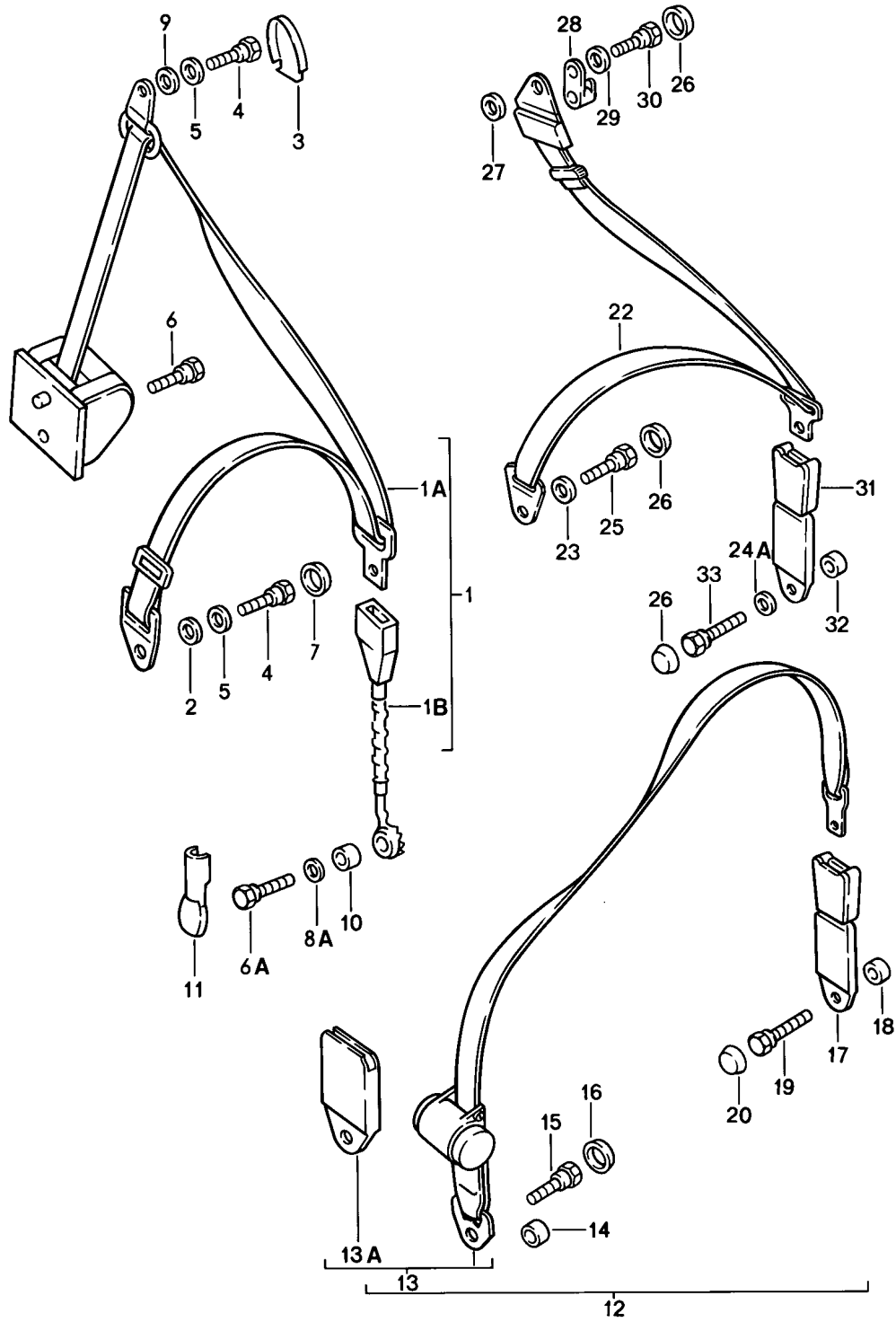
Model: 924 76

Model life 1976&gt;&gt;1979

Pos	Part Number	Description	Remark	Qty	Model
29	477 871 505	Reinforcement plate		1	
30	N 014 091 4	Rais. counters. h. tap. s. B 3,9 X 16		1	
31	N 011 590 1	Cone washer		1	
32	477 871 509	Ball knob		1	
33	900 143 003 00	Oval-head sheetmetal screw B 3,5 X 16 POS. 28-33 See workshop manual		1	
34	477 871 159	Lever		2	
35	N 013 327 1	Roll pin 3 X 18		2	

Model: 924 76

Model life 1976>>1979



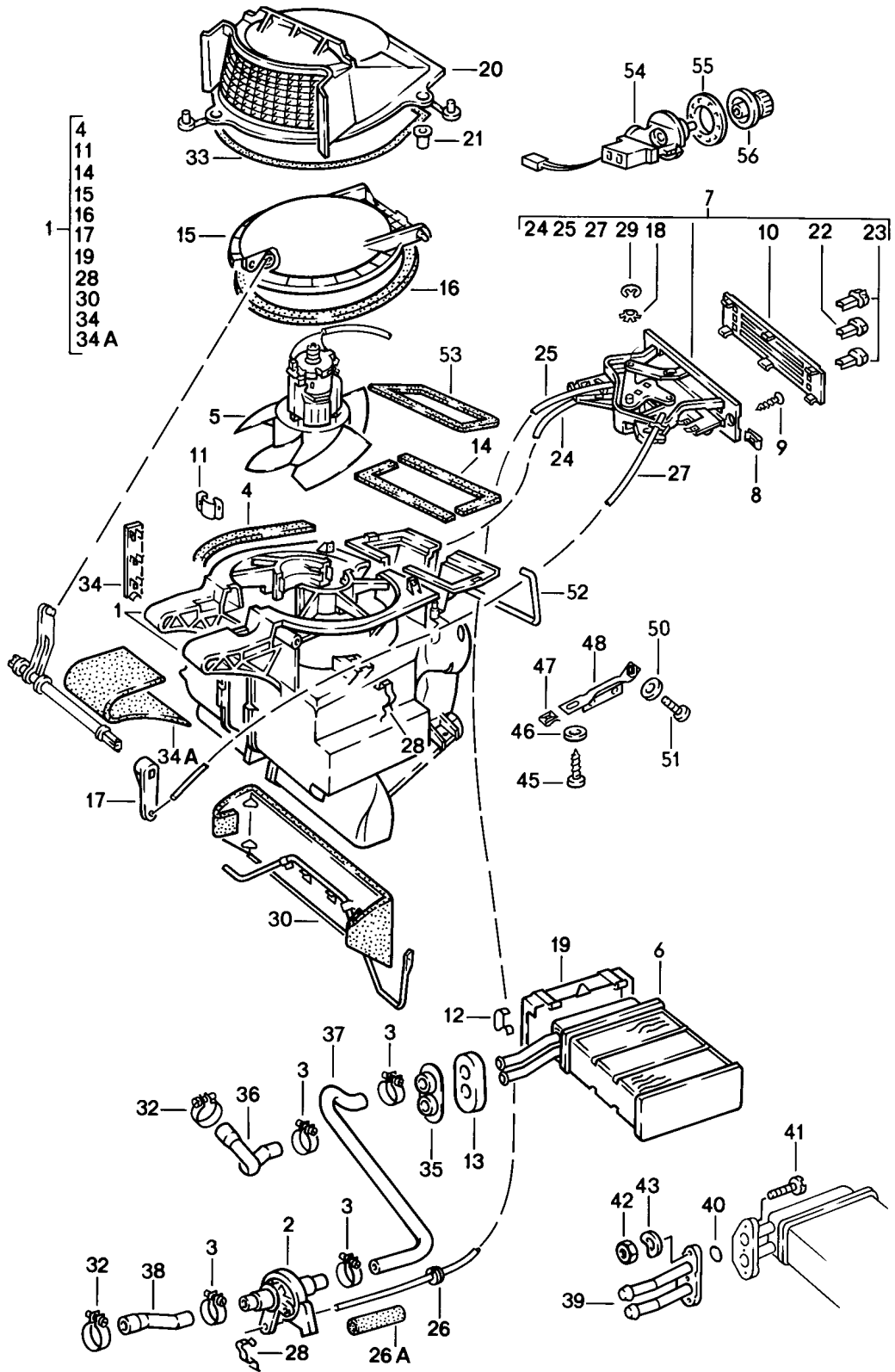
Model: 924 76 Model life 1976>>1979

Pos	Part Number	Description	Remark	Qty	Model
1A	477 857 705	Seat belt	/L (J)	1	
1B	477 857 755 F	Seat belt buckle	/L (J)	1	
(1)	477 857 691 A	Seat belt	/L (CDN) (USA)	1	
		Automatic F >>92482 09772			
(1A)	477 857 705 A	Seat belt	/L (CDN) (USA)	1	
(1B)	477 857 755 G	Seat belt buckle	/L (CDN) (USA)	1	
		F 92482 09773>>			
(1A)	477 857 706	Seat belt	/R (J)	1	
(1B)	477 857 756 F	Seat belt buckle	/R (J)	1	
(1)	477 857 692 A	Seat belt	/R (CDN) (USA)	1	
		Automatic F >>92482 09772			
(1A)	477 857 706 A	Seat belt	/R (CDN) (USA)	1	
(1B)	477 857 756 F	Seat belt buckle	/R (CDN) (USA)	1	
		F 92482 09773>>			
2	111 857 707 A	Spacer		2	
2	WHT 001 373	Spacer		2	
3	911 803 233 01	Cap		2	
4	111 857 793 E	Hexagon-head bolt		4	
5	211 857 771	Washer		8	
6	111 857 799	Hexagon-head bolt		2	
6A		Hexagon-head bolt for Seat belt buckle Fixed		2	
(6A)	111 857 793 E	Hexagon-head bolt for Seat belt buckle Movable		2	
7	811 857 845	Cap		2	
8A	211 857 771	Washer for Seat belt buckle Movable		4	
9	N 011 655 2	Washer 11,5		2	
10	810 019 829	Spacer		2	
11	477 857 779	Cap		2	
12	477 857 693 A	Set Lap belt Automatic	(J) /H	1	924
13	477 857 787 A	Comprising: Seat belt		02	
13A	477 857 750 B	Cap		2	
14	901 803 116 40	Spacer sleeve		2	
15	111 857 793 E	Hexagon-head bolt		2	
16	811 857 845	Cap		2	
17	477 857 739 A	Seat-belt buckle		2	
17	477 857 739 B	Seat-belt buckle		2	
	477 857 739 B 70B	Black		2	
18	928 803 259 02	Spacer sleeve		2	
19	477 857 853	Screw		2	
20	811 857 845	Cap		2	



Model: 924 76

Model life 1976>>1979



Model: 924 76 Model life 1976>>1979

Pos	Part Number	Description	Remark	Qty	Model
		Heating Ventilation Heat exchanger			
1	477 819 014	Flap control box		1	
2	477 819 017	Heater valve		1	
3	999 512 346 00	Hose clamp LC 16-25		5	
4	321 819 019	Gasket		2	
5	321 819 021	Blower motor		1	
6	477 819 030	Heat exchanger		1	
7	477 819 021 A	Control switch	(J)	1	
7	477 819 021 B	Control switch	(CDN) (USA)	1	
-	999 920 006 07	Clamp		2	
-	477 819 057	Support		1	
8	477 819 789	Speed nut 16 X 12,2		2	
9	N 014 100 1	Rais. counters. h. tap. s. B 4,8 X 25		2	
10	477 819 043 B	Cover F >>92483 30176	(J)	1	924
10		Cover F 92483 30177>>	(J)	1	924
(10)	477 819 043 A	Cover F >>92482 03175	(CDN) (USA)	1	924
(10)	477 819 043 C	Cover F 92482 03176>>	(CDN) (USA)	1	924
11	321 819 053	Clamp		2	
12	321 819 059	Clamp		7	
13	477 819 065	Damping piece		1	
14	321 819 089	Gasket		2	
15	321 819 107	Flap		1	
16	321 819 109	Gasket		1	
17	321 819 123	Lever for flap		1	
18	477 819 139	Cup spring		2	
19	477 819 347	Lid		1	
20	477 819 245	Cover		1	
21	477 819 253	Grommet		3	
22	477 819 319	Knob Centre		1	
23	477 819 319 A	Knob		2	
24	477 819 279	Traction Footwell flap		1	
25	477 819 341	Traction Valve		1	
26	477 819 849	Grommet		1	
27	477 819 325	Traction for flap		1	
28	477 819 343	Spring clamp		3	
28	900 116 003 02	Lock washer 4		2	
28	900 116 003 09	Lock washer 4		2	
30	321 819 361	Control flap		1	
32	999 512 272 02	Hose clamp LA 25X40		1	
33	000 043 172 00	Sealing cord		*	
34	321 819 645	Bearing clip		1	
34A	477 819 345	Sealing strip		1	
35	823 819 699 A	Drain bush Heater pipeline		1	
36	477 819 723	Hose		1	
37	477 819 725	Hose		1	

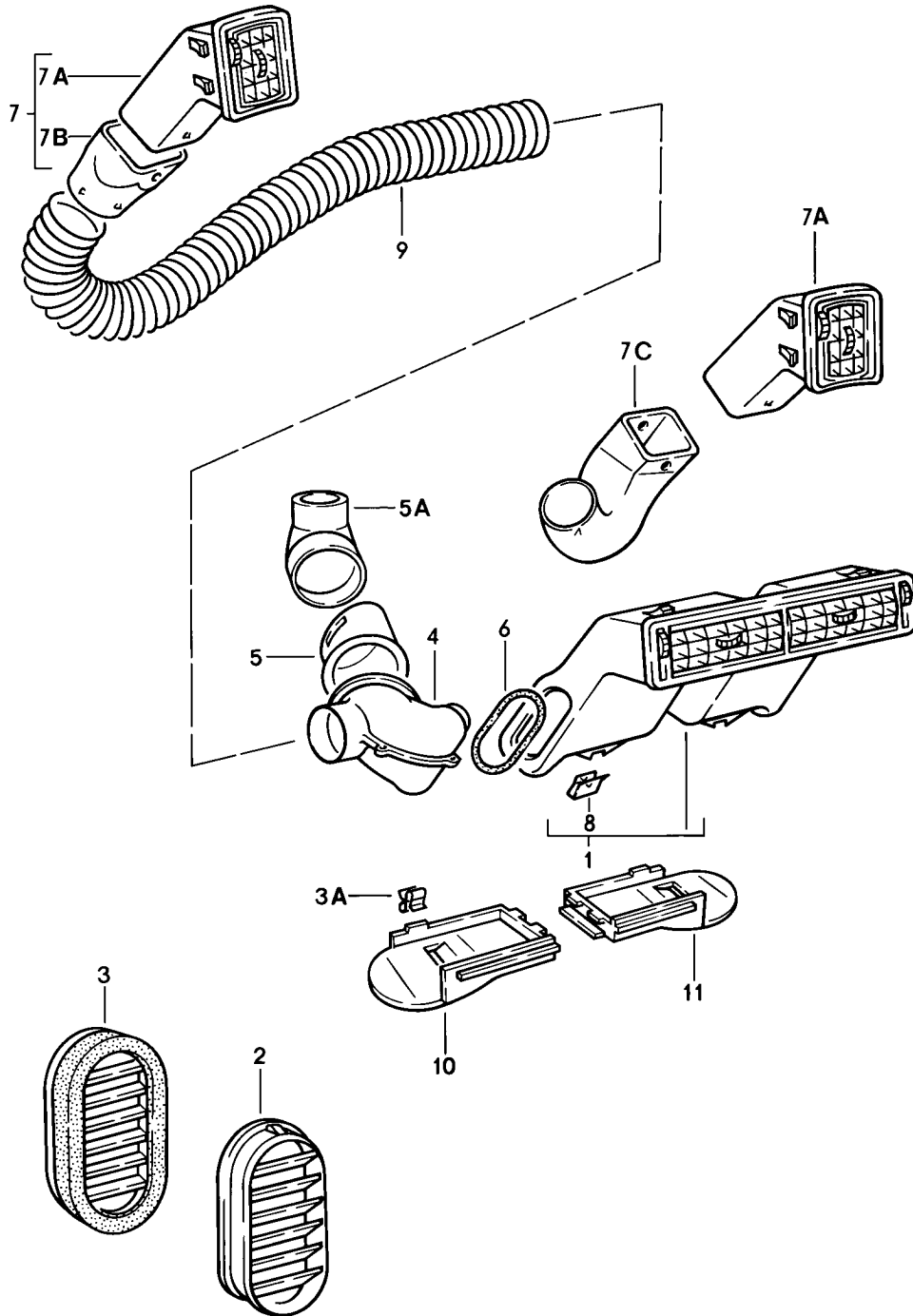
Model: 924 76

Model life 1976>>1979

Pos	Part Number	Description	Remark	Qty	Model
38	N 020 269 1	Water hose		*	924
39	477 819 869	Connecting flange for heat exchanger		1	
40	021 101 173	Sealing ring		2	
41	N 010 296 2	Hexagon-head bolt M 5 X 18		3	
42	N 011 005 14	Hexagon nut M 5		3	
42	900 076 091 01	Hexagon nut M 5		3	
43	N 012 225 2	Spring washer A 5		3	
45	N 013 968 7	Tapping screw B 4,8 X 16		2	
45	900 143 097 01	Tapping screw B 4,8 X 16		2	
46	N 012 104 2	Serrated lock washer A 5,3		2	
47	999 591 722 02	Speed nut B 4,8 X 19		2	
48	477 857 195	Bracket		1	
50	N 011 524 7	Washer A 6,4		1	
50	N 011 524 27	Washer A 6,4		1	
51	N 014 140 5	Oval-head screw AM 6 X 15		1	
52	477 857 809	Clamp		1	
53	477 857 887	Gasket F >>92482 01329 F >>92483 30100		1	924
(53)	477 857 887 A	Gasket F 92482 01330>> F 92483 30101>>		1	

Model: 924 76

Model life 1976>>1979

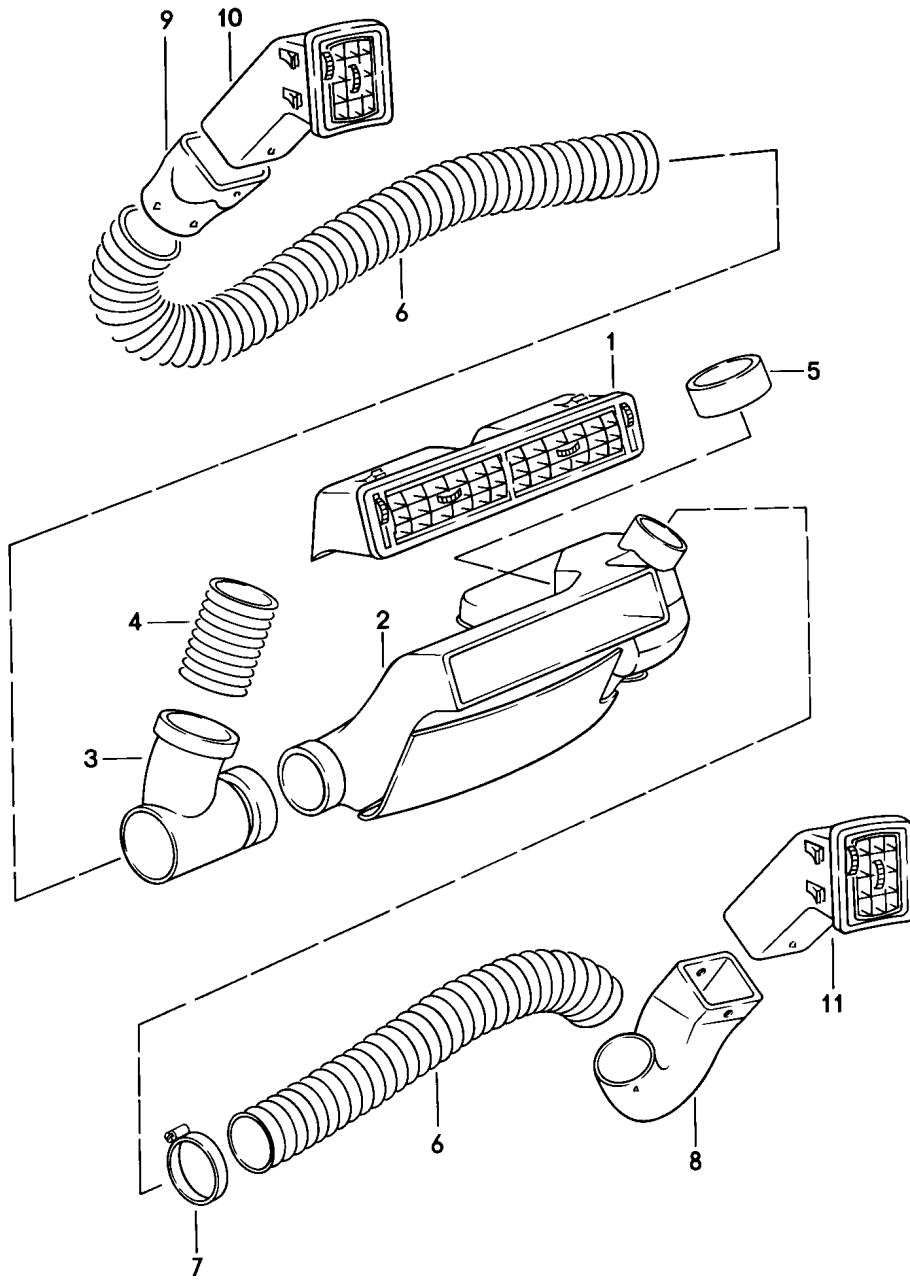


Model: 924 76 Model life 1976>>1979

Pos	Part Number	Description	Remark	Qty	Model
1	477 819 151	Air vent Cover		1	
	477 819 151 01C	Air hose Air vent			
2	477 819 175	Black Cover		2	
3	477 819 179 A	Lock pillar Cover	/L	1	
(3)	477 819 180	Door Cover	/R	1	
3A	477 819 212	Door Clip		2	
4	477 819 219 A	Air distributor		2	
(5)	477 819 221	Connecting piece	-78	1	924 M573
5	477 819 223	Connecting piece	/L	1	
(5)	477 819 224	Connecting piece	/R	1	
5A	477 819 769	Adapter		2	
6	477 819 229 A	Gasket F >>92482 01329 F >>92483 30100		2	
6		Gasket		2	
(7)	477 819 232	Side vent	/R -78	1	924
7A	477 819 291	Side vent	/L	1	
	477 819 291 01C	Black			
(7A)	477 819 292	Side vent	/R 79-	1	
	477 819 292 01C	Black			
7B	477 819 717	Connecting piece	/R -78	1	924
7B		Connecting piece	/L	1	
7C	477 820 409	Connecting piece	/R 78-	1	
8	477 819 263	Fastening clamp		2	
9	477 819 395	Hose 800 MM		2	
10	477 819 705	Air guide	/L	1	
11	477 819 706	Air guide	/R	1	

Model: 924 76

Model life 1976>>1979



Model: 924 76

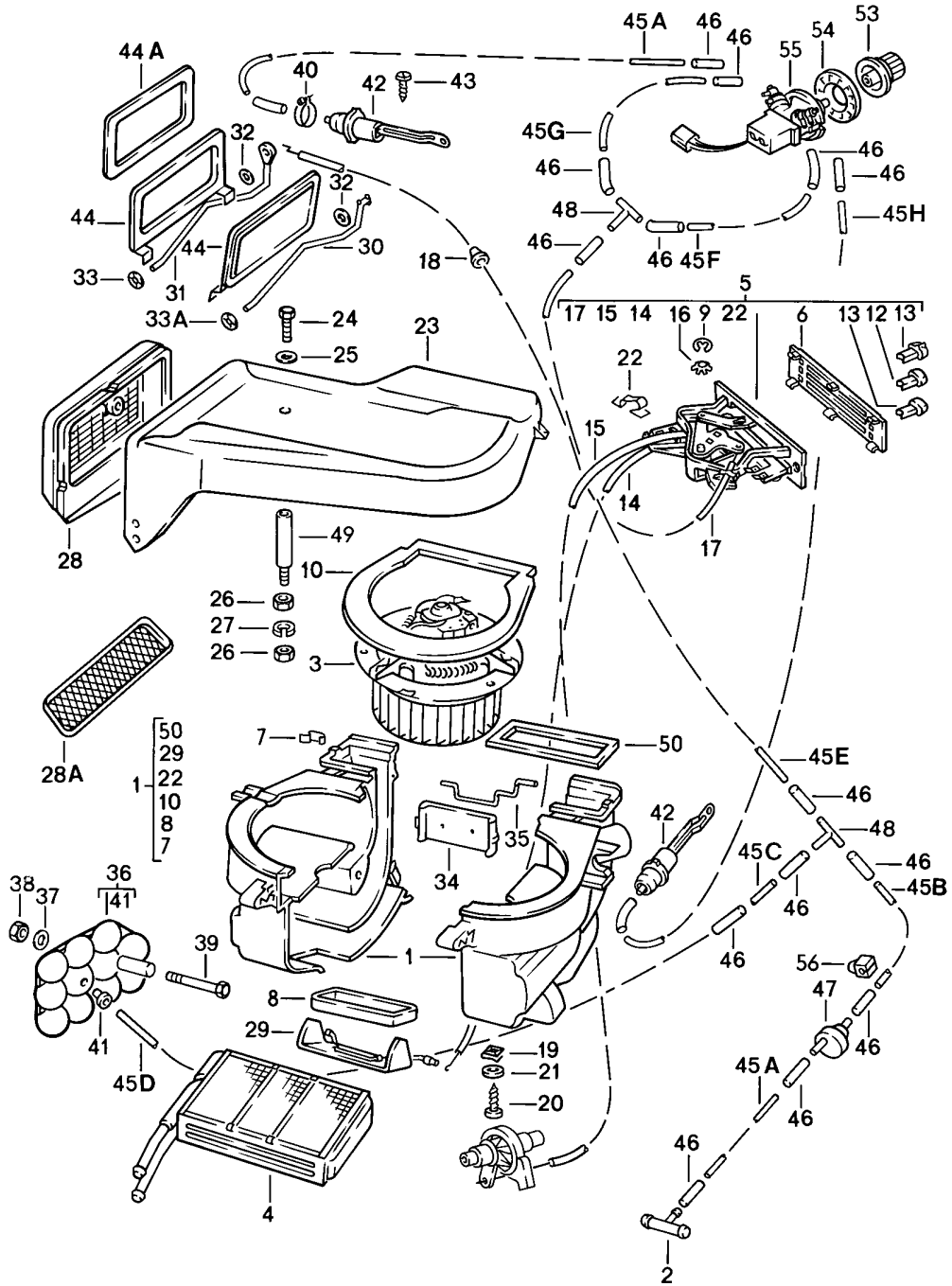
Model life 1976>>1979

Pos	Part Number	Description	Remark	Qty	Model
		Air vent			M579
		Air hose			
		Left-hand drive	79		
1	477 819 151 A	Centre nozzle		1	
		F >>92492 09529			
		F >>92493 30508			
1	477 819 173	Centre nozzle		1	
	477 819 173 01C	Satin black			
		F 92492 09530>>92492 09636			
2	477 820 413	Mixing chamber		1	
3	477 820 539	Intermediate piece		1	
4	477 820 221	Air hose		1	
5	477 820 427	Air guide		1	
6	477 819 395	Hose		2	
7	999 512 348 02	Hose clamp		1	
-	999 513 003 40	Tie-wrap		1	
8	477 820 409	Connecting piece	/R	1	
9	477 819 717	Connecting piece	/L	1	
10	477 819 291	Side vent	/L	1	
	477 819 291 01C	Black			
11	477 819 292	Side vent	/R	1	
	477 819 292 01C	Black			

Model: 924 76

Model life 1976>>1979

23A  
23 28 28A 30 31 32 33 44 44A





Model: 924 76 Model life 1976>>1979

Pos	Part Number	Description	Remark	Qty	Model
		Heating			M573
		Left-hand drive	-78		
1	321 819 014 A	Flap control box		1	
(2)	321 611 813 C	T-piece		1	
3	843 819 021	Blower motor		1	
4	477 819 031 A	Heat exchanger		1	
5	477 819 021 B	Control switch		1	
6	477 819 043 A	Cover		1	
		F >>92482 03175			
		F >>92483 30176			
6	477 819 043 C	Cover		1	924
		F 92482 03176>>			
		F 92483 30177>>			
7	321 819 059	Clamp		6	
8	321 819 091	Lid		1	
		Flap control box			
9	477 819 139	Cup spring		2	
10	823 819 179	Gasket		1	
12	477 819 319	Knob		1	
		Centre			
13	477 819 319 A	Knob		2	
14	477 819 279	Traction		1	
15	477 819 341	Traction		1	
16	900 116 003 02	Lock washer		2	
		4			
16	900 116 003 09	Lock washer		2	
		4			
17	477 819 325	Traction		1	
18	477 820 753	Grommet		2	
19	999 591 722 02	Speed nut		1	
		B 4,8 X 19,8			
20	900 143 046 02	Oval-head sheetmetal screw		1	
		B 4,8 X 16			
20	900 143 046 01	Oval-head sheetmetal screw		1	
		B 4,8 X 16			
21	N 012 104 2	Serrated lock washer		1	
		A 5,3			
22	477 819 343	Spring clamp		1	
23	477 820 113	Cover		1	
23A	477 820 011	Air guide		1	
-	477 820 653	Gasket		1	
		Cover			
24	900 075 017 02	Hexagon-head bolt		1	
		M 6 X 25			
24	900 075 017 03	Hexagon-head bolt		1	
		M 6 X 25			
25	N 011 524 7	Washer		2	
		A 6,4			
25	N 011 524 27	Washer		2	
		A 6,4			
26	900 076 010 02	Nut		2	
		M 6			
26	900 076 010 0B	Nut		2	
		M 6			
27	N 012 006 4	Lock ring		1	
		B 6			
28	477 820 319	Cover		1	
		Cover			
28A	477 820 327	Grille		1	
-	999 591 455 02	Clip		2	
29	843 820 365	Control flap		1	
30	477 820 373	Axle		1	
		for flap			

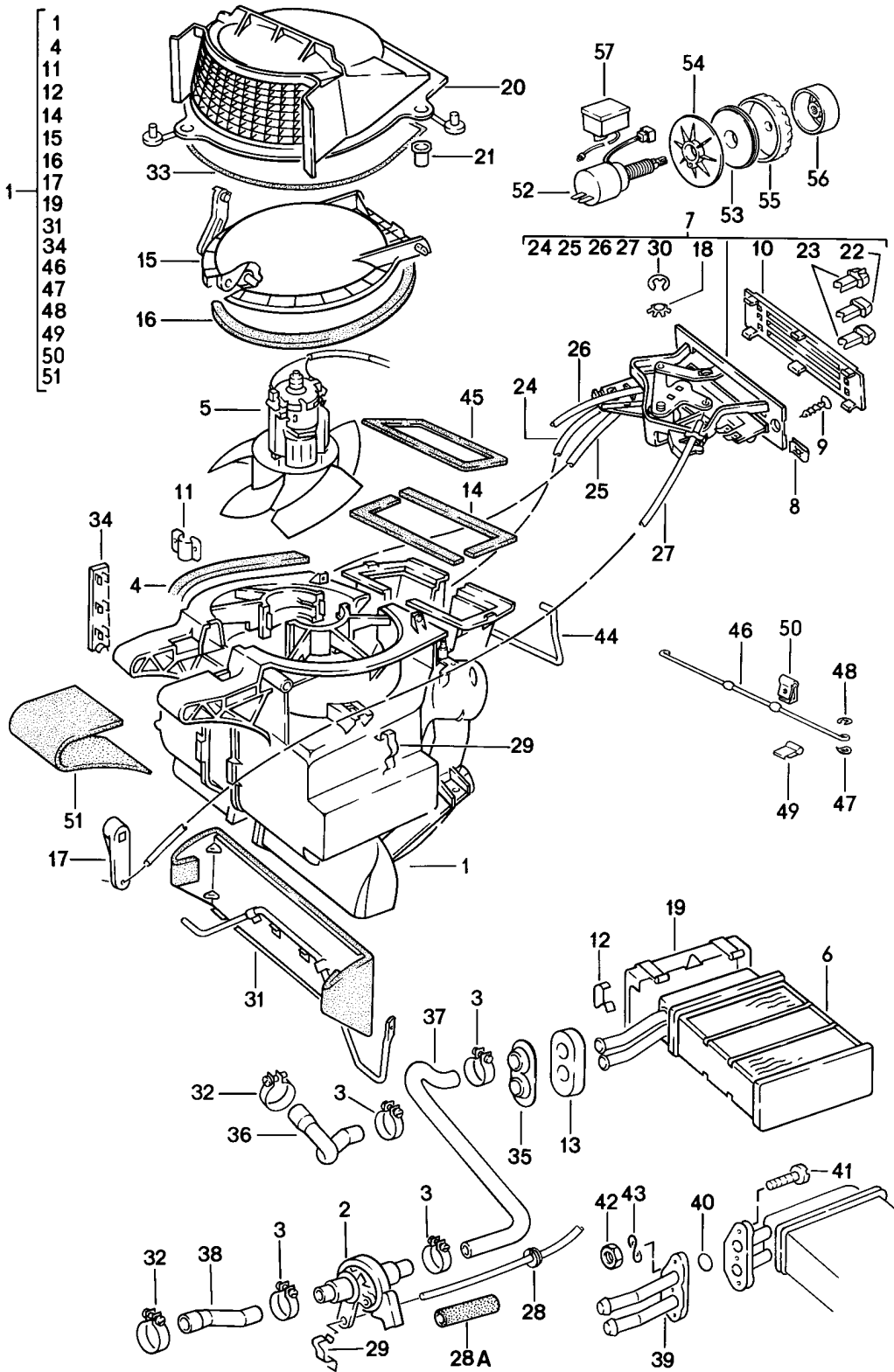
Model: 924 76

Model life 1976&gt;&gt;1979

Pos	Part Number	Description	Remark	Qty	Model
31	477 820 375	Axle for flap		1	
32	900 025 003 02	Washer A 5,3		2	
33	113 809 963	Clamping washer		1	
33A	999 591 459 00	Clamping washer		1	
(33)	999 704 133 40	Rubber washer		4	
34	843 820 385	Air flap		1	
35	843 820 387	Axle		1	
36	321 820 602	Vacuum tank		1	
37	N 012 105 3	Serrated lock washer A 6,4		1	
38	900 076 010 02	Nut M 6		1	
38	900 076 010 0B	Nut M 6		1	
39	N 010 368 1	Hexagon-head bolt M 6 X 62		1	
40	N 023 503 2	Hose clamp A 9 X 40 ZY.		2	
41	171 820 609	Grommet		1	
42	843 820 625 C	Vacuum unit		2	
43	N 013 970 5	Oval-head sheetmetal screw B 4,8 X 9,5		4	
43	N 106 568 02	Oval-head sheetmetal screw B 4,8 X 9,5		4	
44	477 820 645	Flap		2	
44A	477 820 651 A	Gasket for flap		2	
-	N 020 139 1	Hose		*	
45A		950 MM		2	
45B		60 MM		1	
45C		30 MM		1	
45D		400 MM		1	
45E		610 MM		1	
45F		240 MM		1	
45G		210 MM		1	
45H		545 MM		1	
-	171 971 913	Grommet Vacuum line		1	
46	171 820 669	Connecting hose		X	
47	843 820 675	Check valve		1	
48	113 201 943 B	T-piece		2	
49	477 820 685	Eccentric bolt		1	
50	843 820 749	Gasket		1	
53	477 959 513	Knob		1	
54	477 959 517	Rosette		1	
55	477 959 519	Switch		1	
-	477 963 365	Terminal sleeve housing		1	
-	311 971 837	Connector housing 4-pole		1	
56	999 591 380 02	Cable clamp		2	
-	111 971 511	Line distributor		1	
-	111 971 911 A	Grommet		1	
-	111 971 977	Flat connector socket Single pole		1	
-	411 941 189	Grommet		1	

Model: 924 76

Model life 1976>>1979



Model: 924 76

Model life 1976>>1979

Pos	Part Number	Description	Remark	Qty	Model
		Heating	79		M573
1	477 820 014	Flap control box		1	
2	477 819 017	Heater valve		1	
3	N 024 510 1	Hose clamp LC 16-25		4	
4	321 819 019	Gasket		2	
5	321 819 021	Blower motor		1	
6	477 819 030	Heat exchanger		1	
7	477 819 021 A	Control switch		1	
8	477 819 789	Speed nut 16 X 12,2		2	
9	N 014 100 1	Rais. counters. h. tap. s. B 4,8 X 25		2	
10	477 819 043 C	Cover		1	
11	321 819 053	Clamp		2	
12	321 819 059	Clamp		7	
13	477 819 065	Damping piece		1	
14	321 819 089	Gasket		2	
15	321 819 107	Flap		1	
16	321 819 109	Gasket		1	
17	321 819 123	Lever for flap		1	
18	477 819 139	Cup spring		2	
19	477 819 347	Lid		1	
20	477 819 245	Cover Flap		1	
21	477 819 253	Grommet		3	
22	477 819 319	Knob Centre		1	
23	477 819 319 A	Knob		2	
24	477 819 279	Traction		1	
25	477 820 275	Traction		1	
26	477 819 341	Traction		1	
27	477 819 325	Traction		1	
28	477 819 849	Grommet		1	
28A	477 819 340	Hose		1	
29	477 819 343	Spring clamp		1	
30	900 116 003 02	Lock washer 4		2	
30	900 116 003 09	Lock washer 4		2	
31	321 819 361	Control flap		1	
32	999 512 272 02	Hose clamp LA 25 X 40		2	
33	000 043 172 00	Sealing cord		*	
34	321 819 645	Bearing clip		1	
35	823 819 699 A	Drain bush		1	
36	477 819 723	Hose		1	
37	477 819 725	Hose		1	
38	N 020 269 1	Water hose		*	924
39	477 819 869	Connecting flange for heat exchanger		1	
40	021 101 173	Sealing ring Heat exchanger		2	
41	N 010 296 2	Hexagon-head bolt M 5 X 18		3	
42	N 011 005 14	Hexagon nut M 5		3	
42	900 076 091 01	Hexagon nut M 5		3	
43	N 012 225 2	Spring washer A 5		3	
44	477 857 809	Clamp		1	

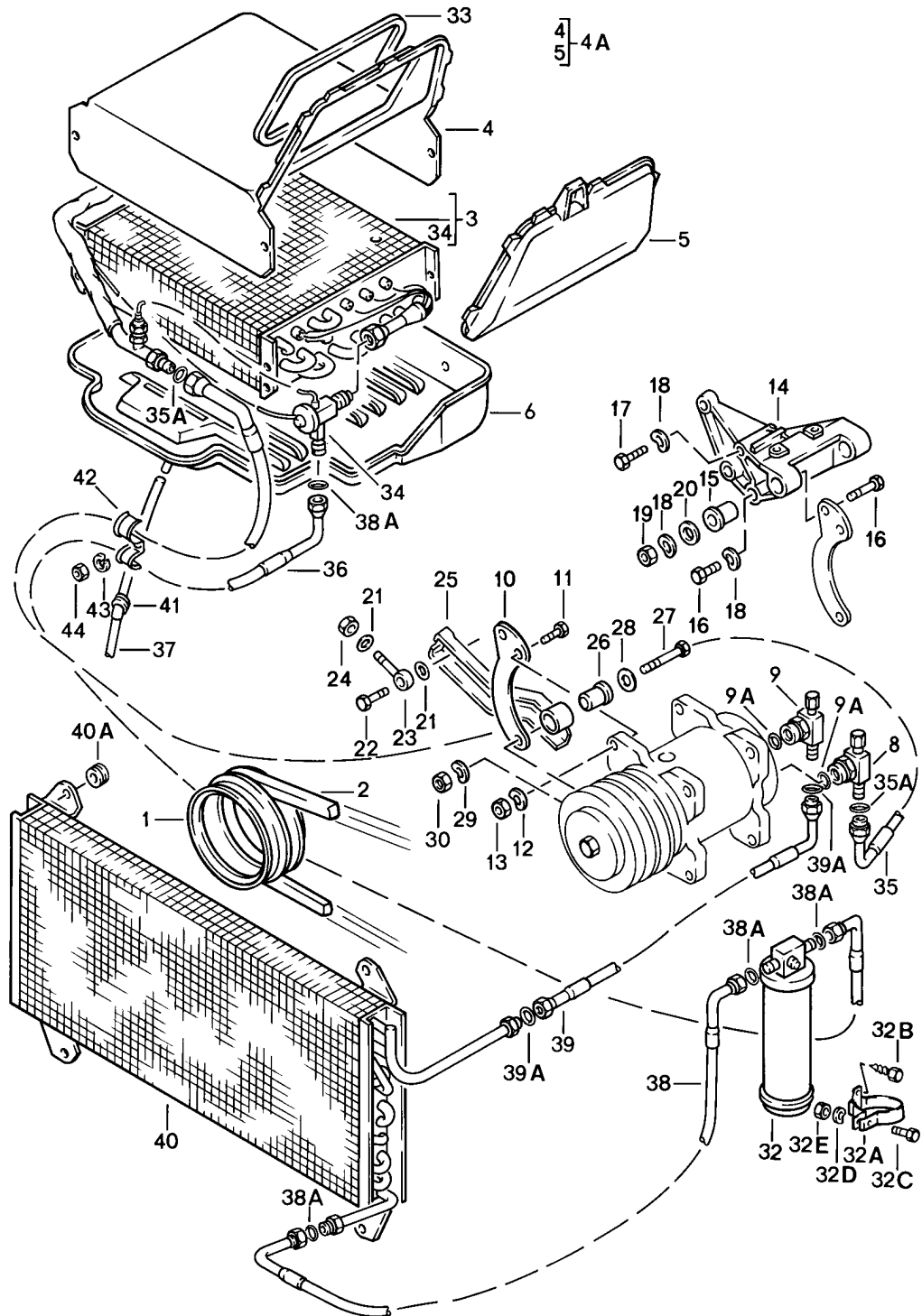
Model: 924 76

Model life 1976&gt;&gt;1979

Pos	Part Number	Description	Remark	Qty	Model
45	477 857 887 A	Gasket		1	
46	477 819 281	Connecting rod		1	
47	N 012 225 2	Spring washer		2	
48	900 116 003 02	Lock washer		2	
48	900 116 003 09	Lock washer		2	
49	477 819 343	Spring clamp		1	
50	477 819 285	Clip		1	
51	477 819 345	Sealing strip		1	
52	477 959 530	Air-conditioning switch		1	
53	477 959 526	Spacer		1	
54	477 959 527	Fastening washer		1	
55	477 959 528	Adjusting wheel		1	
56	477 959 529	Knob		1	
57	477 959 531	Booster		1	
-	477 820 523	Water drain hose		1	

Model: 924 76

Model life 1976>>1979



Model: 924 76 Model life 1976>>1979

Pos	Part Number	Description	Remark	Qty	Model
		Air conditioner			M573
		Left-hand drive	-79		924
1	477 105 255	V-belt pulley		1	
(1)	046 105 255 F	V-belt pulley		1	
-	N 014 726 3	Pan-head screw		4	
		M 8 X 30			
2	047 260 849	V-belt		1	
3	477 820 013	Evaporator		1	
	477 820 017 A	Evaporator housing		1	
4A	477 820 015 A	Evaporator housing		1	
5	477 820 019 A	Lid		1	
		Evaporator housing			
6	477 820 031 A	Drip tray		1	
8	059 260 855 A	Suction valve		1	
9	059 260 865 A	Pressure valve		1	
9A	477 298 821	O-ring		2	
		Mount			
		Compressor			
		See TPI			
		GRUPPE 8,NR.8			
10	048 260 885 A	Support		2	
11	900 075 148 02	Hexagon-head bolt		3	
		M 10 X 32			
12	N 012 230 6	Spring washer		3	
		B 10			
13	N 011 010 6	Hexagon nut		3	
		M 10			
13	N 101 552 10	Hexagon nut		3	
		M 10			
14	046 260 889 A	Bracket		1	
15	048 260 905 B	Rubber mounting		2	
16	N 010 445 3	Hexagon-head bolt		3	
		M 10 X 45			
17	N 010 455 3	Hexagon-head bolt		2	
		M 10 X 55			
18	N 012 230 6	Spring washer		5	
		B 10			
19	N 011 010 6	Hexagon nut		2	
		M 10			
19	N 101 552 10	Hexagon nut		2	
		M 10			
20	111 857 707 A	Spacer		2	
20	WHT 001 373	Spacer		2	
21	N 011 525 13	Washer		2	
22	N 010 244 11	Hexagon-head bolt		1	
		M 8 X 30			
22	N 010 244 25	Hexagon-head bolt		1	
		M 8 X 30			
23	N 016 078 1	Eye screw		1	
		M 8 X 60			
24	311 101 463	Hexagon nut		1	
		M 8			
25	047 260 903 B	Clamp		1	
26	048 260 905 B	Rubber mounting		1	
27	N 010 460 2	Hexagon-head bolt		1	
		M 10 X 60			
28	N 011 527 12	Washer		1	
		A 10,5			
28	900 025 081 01	Washer		1	
		A 10,5			
29	N 012 230 6	Spring washer		1	
		B 10			
30	N 011 010 6	Hexagon nut		1	

Model: 924 76

Model life 1976>>1979

Pos	Part Number	Description	Remark	Qty	Model
30	N 101 552 10	M 10 Hexagon nut		1	
32	944 573 943 00	M 10 Desiccator		1	
32A	477 820 195	Support Fluid tank		1	
32B	N 013 884 5	Hexagon-head tapping screw B 4,8 X 13		2	
32C	N 010 264 4	Hexagon-head bolt M 5 X 20		1	
32D	N 012 005 3	Lock ring 5		1	
32E	N 011 005 14	Hexagon nut M 5		1	
32E	900 076 091 01	Hexagon nut M 5		1	
33	477 820 655	Gasket Evaporator housing		1	
-	477 820 657	Gasket		1	
-	999 511 066 02	Clamp		1	
-	N 010 215 13	Hexagon-head bolt M 6 X 15		1	
-	900 076 010 02	Nut M 6		1	
-	900 076 010 0B	Nut M 6		1	
-	N 012 006 4	Lock ring B 6		1	
34	843 820 679	Expansion valve		1	
35	477 820 723	Hose Compressor		1	
35A	803 260 749 B	Evaporator O-ring		2	
36	477 820 725	Hose Fluid tank		1	
37	477 820 727 B	Evaporator Hose		1	
38	477 820 729	Hose Condenser		1	
38A		Fluid tank O-ring		4	
-	843 260 762	Pipe clamp		1	
-	N 013 970 5	Oval-head sheetmetal screw B 4,8 X 9,5		1	
-	N 106 568 02	Oval-head sheetmetal screw B 4,8 X 9,5		1	
39	477 820 731	Hose Compressor		1	
39A	803 260 749 A	Condenser O-ring		2	
40	477 820 751 A	Condenser		1	
40A	477 820 773	Grommet		4	
41	477 820 752	Grommet		1	
42	477 820 757	Clip		3	
43	N 012 026 1	Lock ring B 6		3	
44	900 076 010 02	Nut M 6		3	
44	900 076 010 0B	Nut M 6 Version Reinforced for		3	



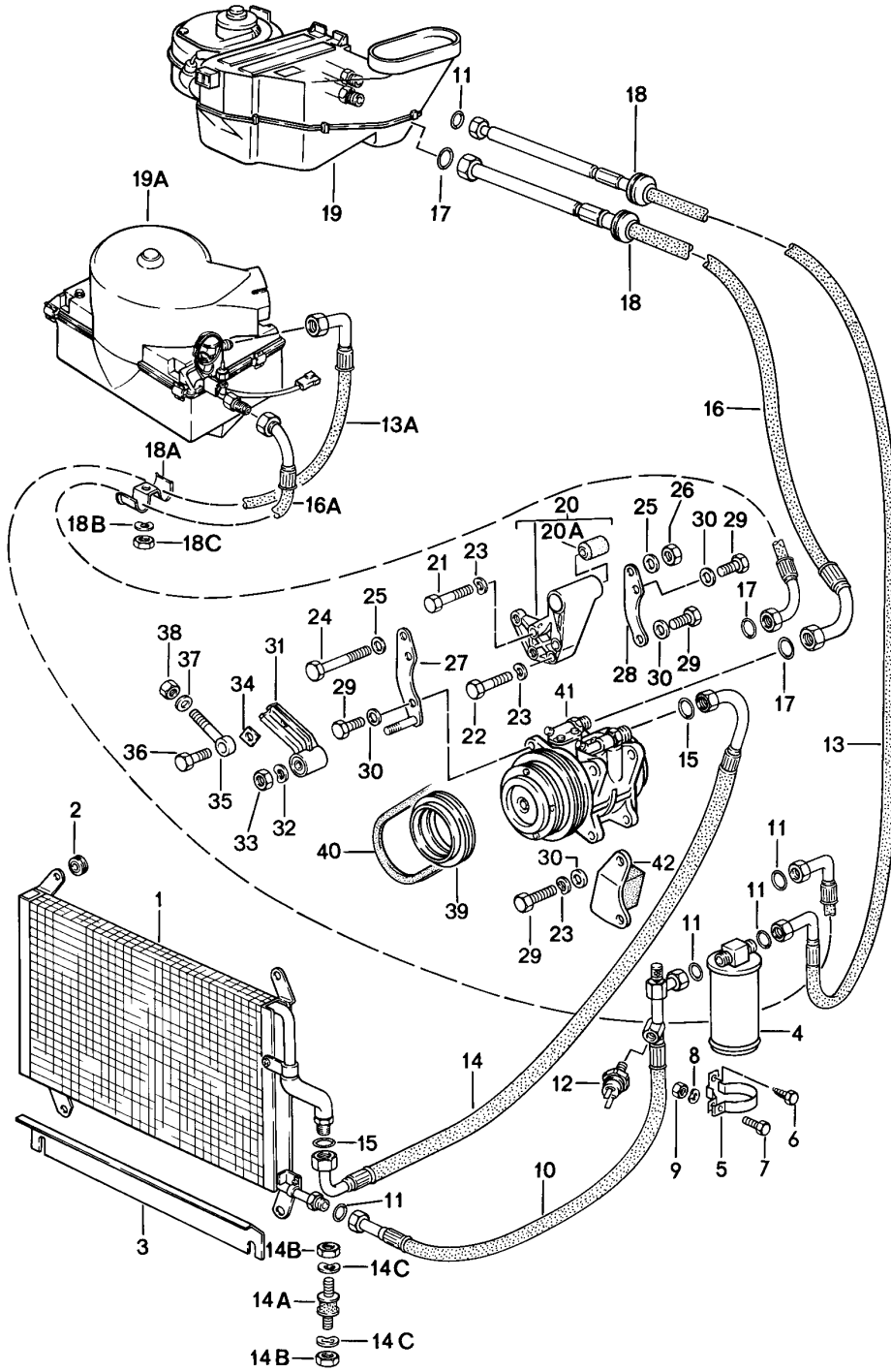
Model: 924 76

Model life 1976>>1979

Pos	Part Number	Description	Remark	Qty	Model
		Compressor Installation See illustrations 8/13/40 Can Instead of POS.24-42 Mounted Become			
(14)	047 260 877 E	Bracket		1	
-	047 260 823	Vibration damper		1	
(17)	900 074 065 02	Hexagon-head bolt M 10 X 70		1	
(16)	900 074 063 02	Hexagon-head bolt M 10 X 55		2	
(16)	900 074 380 01	Hexagon-head bolt M 10 X 55		2	
(18)	N 012 230 6	Spring washer B 10		3	
(10)	047 260 883 A	Support	/V	1	
(10)	047 260 859 A	Support	/H	1	
11	900 075 148 02	Hexagon-head bolt M 10 X 32		4	
12	N 012 230 6	Spring washer B 10		4	
13	N 011 010 6	Hexagon nut M 10		4	
13	N 101 552 10	Hexagon nut M 10		4	
-	N 010 494 4	Hexagon-head bolt M 10 X 125		1	
-	900 025 008 09	Washer A 10,5		2	
-	900 025 008 04	Washer A 10,5		2	
-	N 011 010 6	Hexagon nut M 10		1	
-	N 101 552 10	Hexagon nut M 10		1	
(25)	047 260 903 B	Clamp		1	
-	N 012 230 6	Spring washer B 10		1	
-	N 011 010 6	Hexagon nut M 10		1	
-	N 101 552 10	Hexagon nut M 10		1	
-	047 260 947 A	Washer		1	
(23)	N 900 798 01	Eye screw		1	
(22)	900 075 043 02	Hexagon-head bolt M 10 X 30		1	
(21)	211 843 661	Washer		1	
(24)	311 101 463	Hexagon nut M 8		1	

Model: 924 76

Model life 1976>>1979



Model: 924 76 Model life 1976>>1979

Pos	Part Number	Description	Remark	Qty	Model
		Air conditioner	79		M573
1	477 820 751 B	Condenser		1	
2	477 820 773	Grommet		4	
3	477 853 717 A	Cooling air duct		1	
4	477 820 193	Desiccator		1	
5	477 820 195	Support		1	
		Fluid tank			
6	N 013 884 5	Hexagon-head tapping screw B 4,8 X 13		2	
7	N 010 264 4	Hexagon-head bolt M 5 X 20		1	
8	N 012 005 3	Lock ring 5		1	
9	N 011 005 14	Hexagon nut M 5		1	
9	900 076 091 01	Hexagon nut M 5		1	
10	477 820 423	Refrigerant line Condenser Fluid tank		1	924
11	477 820 489	O-ring		4	
12	959 613 137 00	Low pressure switch		1	
13	477 820 424	Refrigerant line Fluid tank Evaporator	/LL	1	
-	999 513 003 40	Tie-wrap		1	
14	477 820 422 B	Refrigerant line Compressor Condenser		1	
14A	810 906 219 A	Bonded rubber mounting		1	
14B	900 076 010 02	Nut M 6		2	
14B	900 076 010 0B	Nut M 6		2	
14C	N 012 007 2	Lock ring A 6		2	
14C	900 027 004 03	Lock ring A 6		2	
15	477 820 491	O-ring		2	
15	999 707 250 40	O-ring		2	
15	999 707 434 41	O-ring		2	
16	477 820 425	Refrigerant line Compressor Evaporator	/LL	1	
17	478 820 731	O-ring		2	
18	901 573 143 00	Rubber sleeve		2	
19	477 820 002	Air conditioner See group 8/13/45	/LL	1	
20	047 260 877 E	Bracket		1	924
20A	047 260 905 C	Rubber mounting		2	
21	900 074 065 02	Hexagon-head bolt M 10 X 70		1	
22	900 074 063 02	Hexagon-head bolt M 10 X 55		2	
22	900 074 380 01	Hexagon-head bolt M 10 X 55		2	
23	N 012 230 6	Spring washer B 10		3	
24	N 010 494 4	Hexagon-head bolt M 10 X 125		1	
25	900 025 008 09	Washer A 10,5		2	

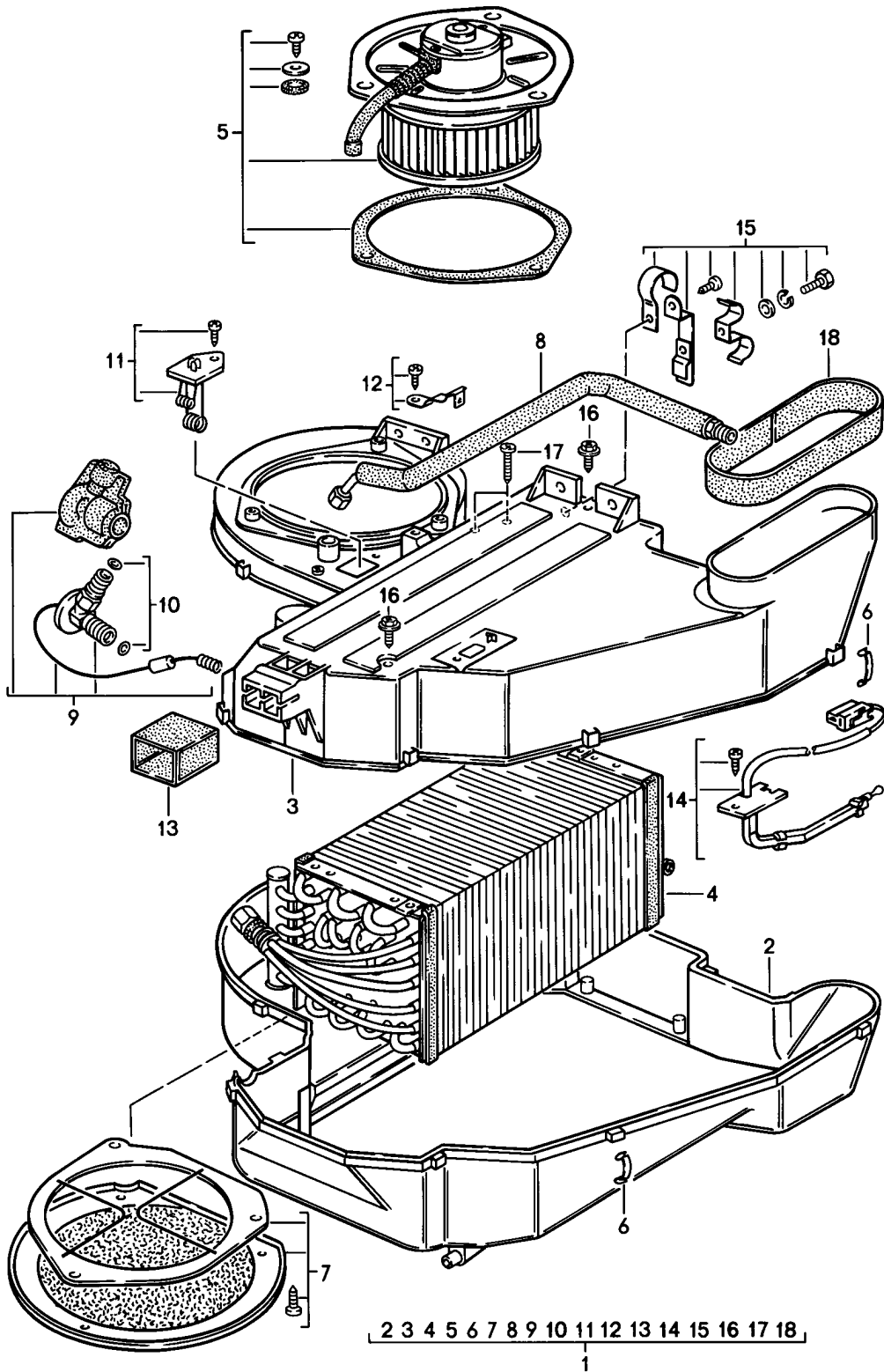
Model: 924 76

Model life 1976&gt;&gt;1979

Pos	Part Number	Description	Remark	Qty	Model
25	900 025 008 04	Washer A 10,5		2	
26	N 011 010 6	Hexagon nut M 10		1	
26	N 101 552 10	Hexagon nut M 10		1	
27	047 260 883 B	Support Compressor	/V	1	
28	047 260 859 C	Support	/H	1	
29	N 040 125 1	Hexagon-head bolt M 10 X 30		4	
30	900 025 008 09	Washer A 10,5		4	
30	900 025 008 04	Washer A 10,5		4	
31	047 260 903 B	Clamp		1	
32	N 012 230 6	Spring washer B 10			
33	N 011 010 6	Hexagon nut M 10		1	
33	N 101 552 10	Hexagon nut M 10		1	
34	047 260 947 A	Washer		1	
35	N 900 798 01	Eye screw		1	
36	900 075 043 02	Hexagon-head bolt M 10 X 30		1	
37	211 843 661	Washer		1	
37	N 011 525 13	Washer		1	
38	311 101 463	Hexagon nut M 8		1	
39	046 105 255 F	V-belt pulley		1	
40	047 260 849 A	V-belt		1	
41	047 260 803	Compressor See group 8/13/60		1	
42	047 260 823 B	Vibration damper		1	

Model: 924 76

Model life 1976>>1979



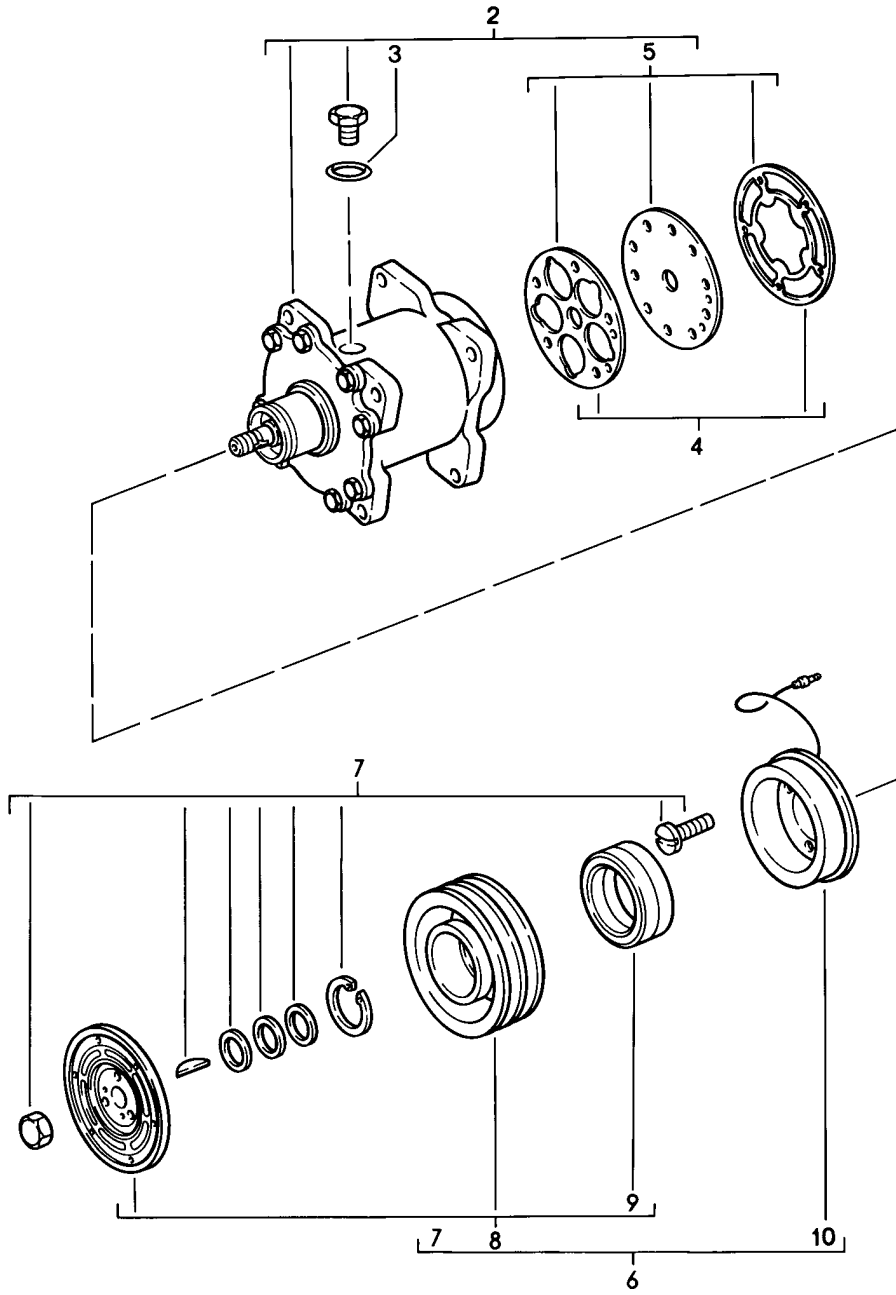
Model: 924 76

Model life 1976>>1979

Pos	Part Number	Description	Remark	Qty	Model
		Air conditioner	/LL 79		M573
1	477 820 002	Air conditioner		1	
2	477 820 483	Suction housing Lower part		1	
3	477 820 913	Housing Upper part		1	
4	477 820 903	Evaporator		1	
5	477 820 905	Blower		1	
6	477 820 449	Clamp		25	
7	477 820 907	Air cleaner		1	
8	477 820 459	Pressure line		1	
9	477 820 909	Expansion valve		1	
10	477 820 911	Set of o-rings for Expansion valve		1	
11	477 820 915	Resistor		1	
12	477 820 917	Retaining bow		1	
13	477 820 447 A	Rubber boot		1	
14	477 820 901	Temperature sensor		1	
15	477 820 919	Pipe clamp		1	
16	477 820 437	Tapping screw		2	
17	477 820 435 A	Tapping screw		2	
18	477 820 507 A	Insulator		1	
-	477 820 523	Water drain hose		1	

Model: 924 76

Model life 1976>>1979



Model: 924 76

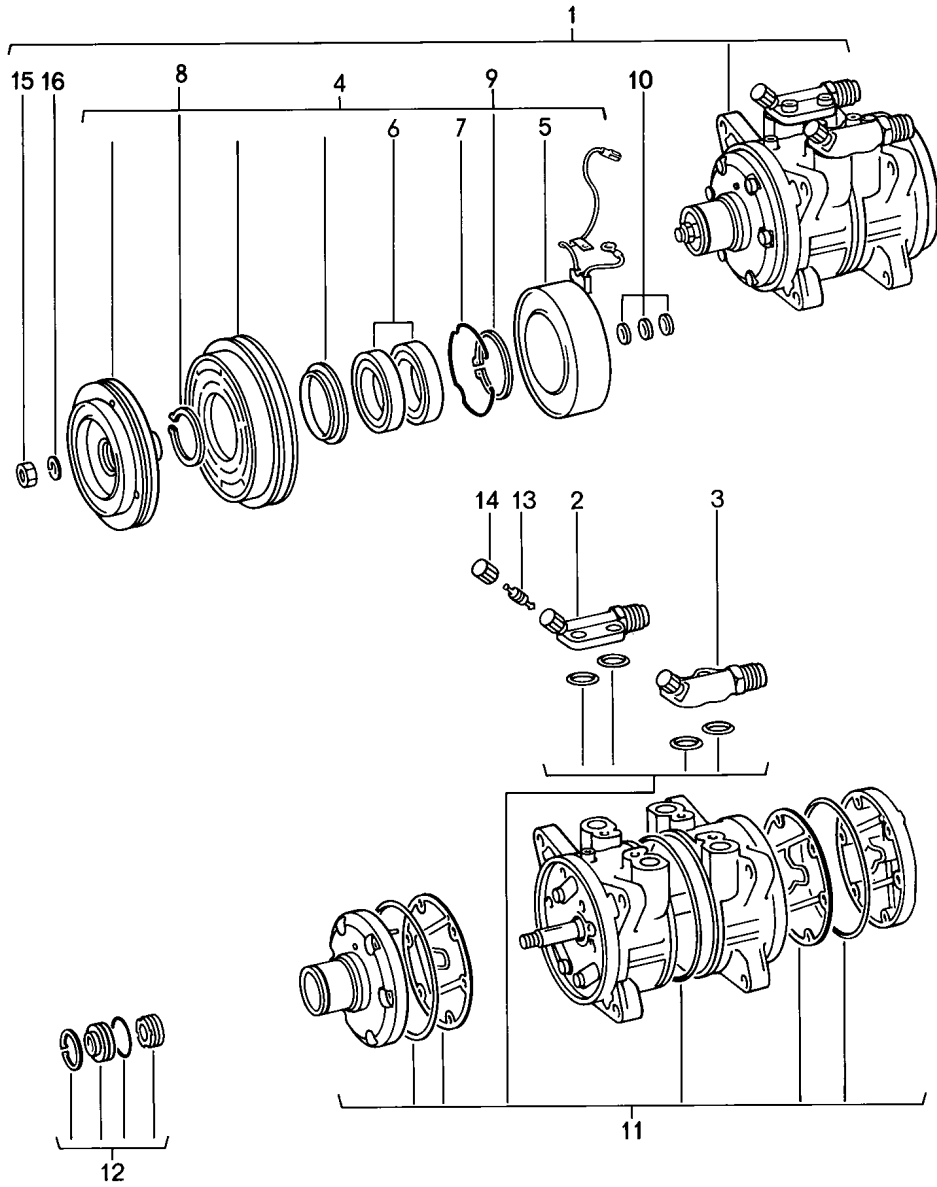
Model life 1976&gt;&gt;1979

Pos	Part Number	Description	Remark	Qty	Model
		Compressor	-78		M573
2	477 298 809	Compressor		1	
3	477 298 801	O-ring		1	
4	477 298 805	Gasket set for Valve plate		1	
5	477 298 807	Valve plate		1	
6	477 298 811	Clutch		1	
7	477 298 813	Parts set		1	
8	477 298 815	Clutch plate Pulley Bearing		1	
9	477 298 817	Set of bearings		1	
10	477 298 803	Solenoid coil		1	



Model: 924 76

Model life 1976>>1979



Model: 924 76

Model life 1976>>1979

Pos	Part Number	Description	Remark	Qty	Model
		Compressor	79		M573
1	047 260 803	Compressor		1	
2	477 298 839	Pressure valve		1	
3	477 298 837	Suction valve		1	
4	477 298 823	Clutch		1	
5	477 298 825	Solenoid coil		1	
6	477 298 831	Set of bearings		1	
7	477 298 827	Retaining spring		1	
8	477 298 841	Circlip		1	
9	477 298 843	Circlip		1	
10	477 298 829	Spacer		X	
		0,1 MM			
(10)	477 298 829 A	Spacer		X	
		0,2 MM			
(10)	477 298 829 B	Spacer		X	
		0,5 MM			
(10)	477 298 829 C	Spacer		X	
		0,8 MM			
(10)	477 298 829 B	Spacer		X	
		1,0 MM			
11	477 298 833	Gasket set		1	
12	477 298 835	Gasket set		1	
13	928 573 908 03	Valve insert		2	
14	928 573 909 02	Cap		2	
15	N 011 008 8	Hexagon nut		1	
		M 8			
16	900 027 015 02	Lock ring		1	
		B 8			
16	900 027 015 03	Lock ring		1	
		B 8			
-	930 126 905 00	Spring		1	

Model: 924 76

Model life 1976>>1979



Model: 924 76

Model life 1976&gt;&gt;1979

Pos	Part Number	Description	Remark	Qty	Model
>>	477 898 081	Repair kits Set of locks 1 set for Door handle Ignition starter switch Rear lid lock		1	
-	944 538 933 00	Key S 91 B Information available		2	
>>	477 898 011 A	Sealing set for Windscreen		1	
>>	477 898 025	Installation set Door mirror Electrically adjustable Heatable Plane Not for Comprising:	/LL /L  (J)	1	
-	911 731 043 00	Mirror housing		1	
-	928 731 141 06	Mirror base		1	
-	999 143 003 02	Hexagon-head bolt M 5 X 10		3	
-	911 731 027 02	Covering frame with Transmission		1	
-	911 731 035 02	Mirror glass		1	
-	999 703 128 40	Grommet for Mirror glass		3	
-	477 831 139 C	Reinforcement		1	
-	928 531 235 03	Threaded piece		1	
-	N 013 295 1	Tensioning sleeve		1	
-	944 731 505 00	Desk pad		1	
-	911 731 345 02	Centring washer Lower		1	
-	911 731 347 00	Centring washer Upper		1	
-	911 731 029 01	Compression spring		1	
-	900 186 042 02	Pan-head screw M 5 X 40		1	
-	477 867 181	Mounting piece		1	
-	N 014 090 5	Rais. counters. h. tap. s. 3,9 X 13		2	
-	999 507 071 00	Speed nut		2	
-	911 613 115 00	Switch		1	
-	928 555 463 02	Threaded bush		1	
-	928 613 462 00	Knob		1	
-	477 971 111	Wiring harness Door mirror		1	
-	477 971 115 A	Driver's door Wiring harness Door mirror		1	
-	477 971 910	Dashboard Bellows		1	
-	803 971 979	Plug socket 7-pole		1	
>>	477 898 026	Installation set Door mirror Electrically adjustable Heatable Plane	/LL /R	1	

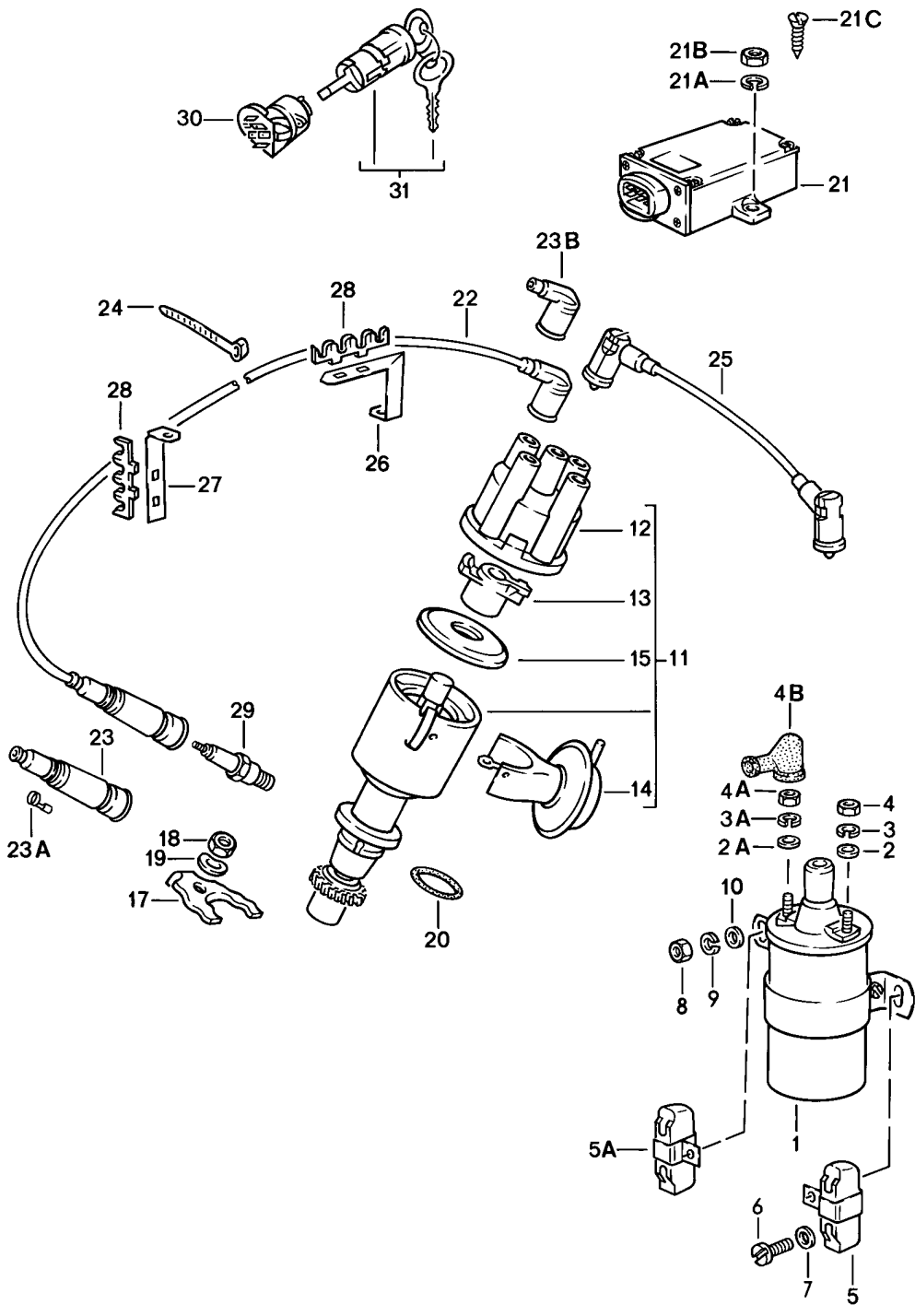
Model: 924 76

Model life 1976>>1979

Pos	Part Number	Description	Remark	Qty	Model
		Not for	(N) (S)		
		Comprising:			
-	911 731 044 00	Mirror housing		1	
-	928 731 143 08	Mirror base		1	
-	999 143 003 02	Hexagon-head bolt		3	
		M 5 X 10			
-	911 731 028 02	Covering frame		1	
		with			
		Transmission			
-	911 731 035 02	Mirror glass		1	
		Plane			
-	999 703 128 40	Grommet		3	
		for			
		Mirror glass			
-	477 831 140 C	Reinforcement		1	
-	928 531 235 03	Threaded piece		1	
-	N 013 295 1	Tensioning sleeve		1	
-	944 731 508 00	Desk pad		1	
-	911 731 257 02	Guide tube		1	
-	911 731 257 03	Guide tube		1	
-	911 731 345 02	Centring washer		1	
		Lower			
-	911 731 347 00	Centring washer		1	
		Upper			
-	911 731 029 01	Compression spring		1	
-	900 186 042 02	Pan-head screw		1	
		M 5 X 40			
-	477 867 181	Mounting piece		1	
-	N 014 090 5	Rais. counters. h. tap. s.		2	
		3,9 X 13			
-	999 507 071 00	Speed nut		2	
-	911 613 115 00	Switch		1	
-	928 555 463 02	Threaded bush		1	
-	928 613 462 00	Knob		1	
-	477 971 113	Wiring harness		1	
		Door mirror			
		Passenger's door			
-	477 971 115	Wiring harness		1	
		Door mirror			
		Dashboard			
-	477 971 910	Bellows		1	
-	477 955 703	Rocker switch		1	
-	803 971 979	Plug socket		1	
		7-pole			

Model: 924 76

Model life 1976>>1979



Model: 924 76 Model life 1976>>1979

Pos	Part Number	Description	Remark	Qty	Model
		Engine electrics 2 See technical information GR.2 NR. 2/86			924, TURBO
1	046 905 105	Ignition coil		1	
2	900 025 003 02	Washer		1	
2A	N 011 524 7	Washer		1	
2A	N 011 524 27	Washer		1	
3	N 012 005 3	Lock ring		1	
3A	N 012 006 4	Lock ring		1	
4	N 011 005 14	Hexagon nut		1	
4	900 076 091 01	Hexagon nut		1	
4A	900 076 010 02	Nut		1	
4A	900 076 010 0B	Nut		1	
4B	311 971 901	Protection cap		1	
5	046 905 109	Series resistor 0,4 OHM	-78	1	
5A	046 905 109 A	Series resistor 0,6 OHM	-78	1	
6	N 014 121 2	Oval-head screw AM 4 X 6		4	
7	N 012 004 2	Lock ring		4	
8	900 076 010 02	Nut		2	
8	900 076 010 0B	Nut		2	
9	N 012 006 4	Lock ring		2	
10	N 011 666 7	Washer		2	
11	047 905 205	Distributor		1	XH, XF
-	047 905 205 X	Distributor		1	XH, XF
(11)	047 905 205 C	Distributor		1	XG, XE
-	047 905 205 CX	Distributor		1	XG, XE
12	113 905 207 C	Distributor cap		1	
13	055 905 225 B	Rotor		1	
14	047 905 271	Vacuum unit		1	
15	039 905 241	Dust cover		1	
17	056 905 251 A	Support		1	
17	056 905 251 D	Support		1	
18	N 011 008 8	Hexagon nut		1	
19	N 012 241 11	Spring washer B 8 X 15		1	
20	056 905 261	Sealing ring		1	
21	046 905 351	Switch unit		1	
21A	900 025 003 02	Washer		2	
21B	N 011 005 14	Hexagon nut		2	
21B	900 076 091 01	Hexagon nut		2	
21C	900 143 046 02	Oval-head sheetmetal screw 4,8 X 16	79-	2	
21C	900 143 046 01	Oval-head sheetmetal screw 4,8 X 16	79-	2	
22	047 905 431	Ignition lead Cylinder 1		1	
22	047 905 433	Ignition lead Cylinder 2		1	
22	477 905 443	Ignition lead Cylinder 3		1	
22	047 905 437	Ignition lead Cylinder 4		1	
23B	036 035 281	Suppression connector		4	
24	N 020 902 1	Tie-wrap 6,5 X 210		2	
24	N 020 902 A	Tie-wrap 6,5 X 210		2	
25	N 038 889 1	Ignition lead Ignition coil Distributor		1	

Model: 924 76

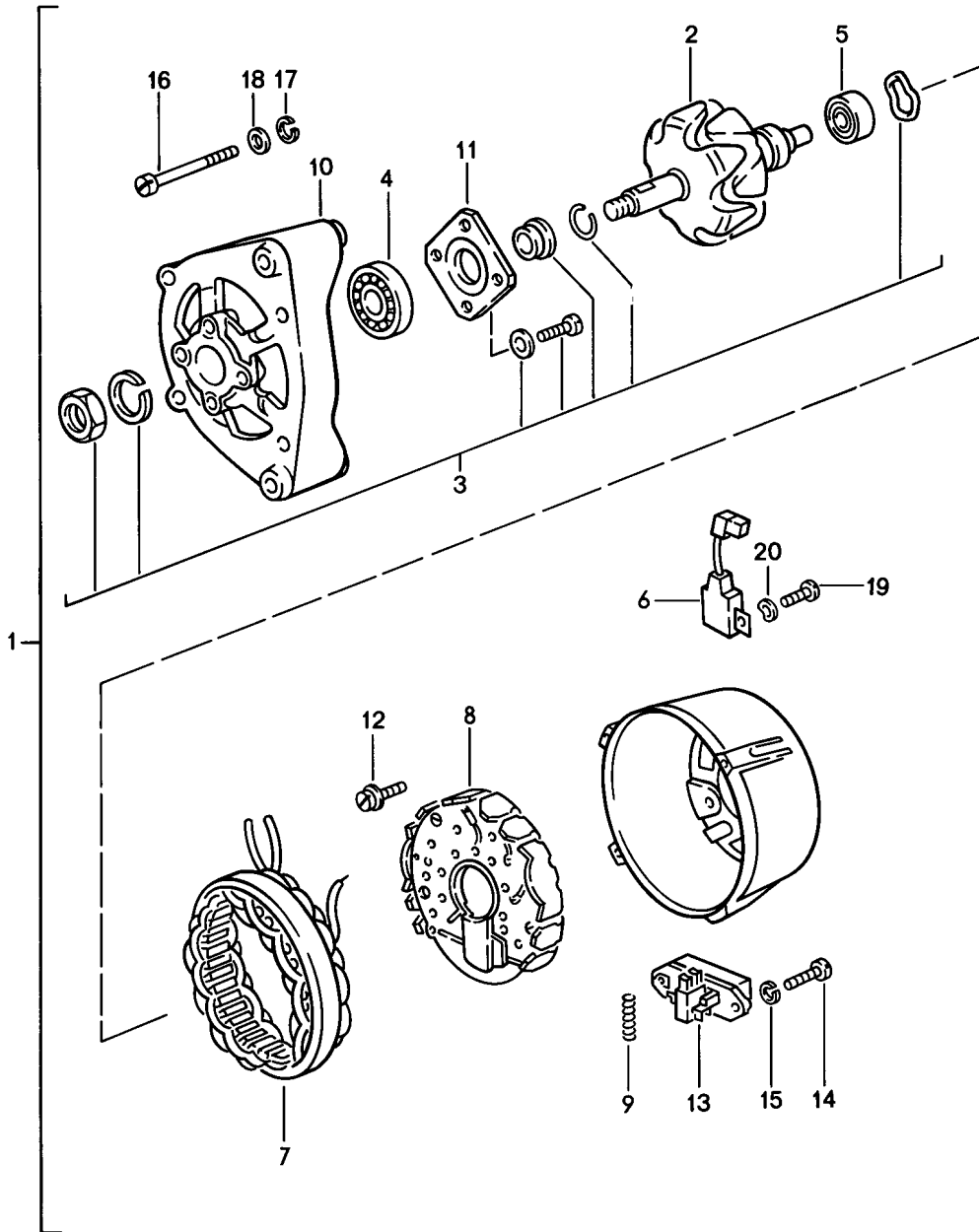
Model life 1976>>1979

Pos	Part Number	Description	Remark	Qty	Model
25	N 038 889 B	Ignition lead		1	
		Ignition coil			
		Distributor			
26	047 905 477	Support		1	
		Ignition lead			
27	046 905 477	Retaining bracket		1	
		Ignition lead			
28	052 905 471 B	Cable holder		2	
		Ignition lead			
28	052 905 471 A	Cable holder		2	
		Ignition lead			
		Spark plug			
		Use also:			
		547 09222		X	
		for			
		Spark plug			
-	547 09 222	Nut		X	
		for			
		Spark plug			
29	999 170 175 90	Spark plug		4	
		- bosch -			
		WR 6 DS			
30	111 905 865 L	Ignition starter switch		1	
31	477 905 855 C	Lock cylinder		1	
		with keys			
		W/o stipulated lock number			
(31)	477 905 855 D	Lock cylinder		1	
		with keys			
		with stipulated lock number			



Model: 924 76

Model life 1976>>1979



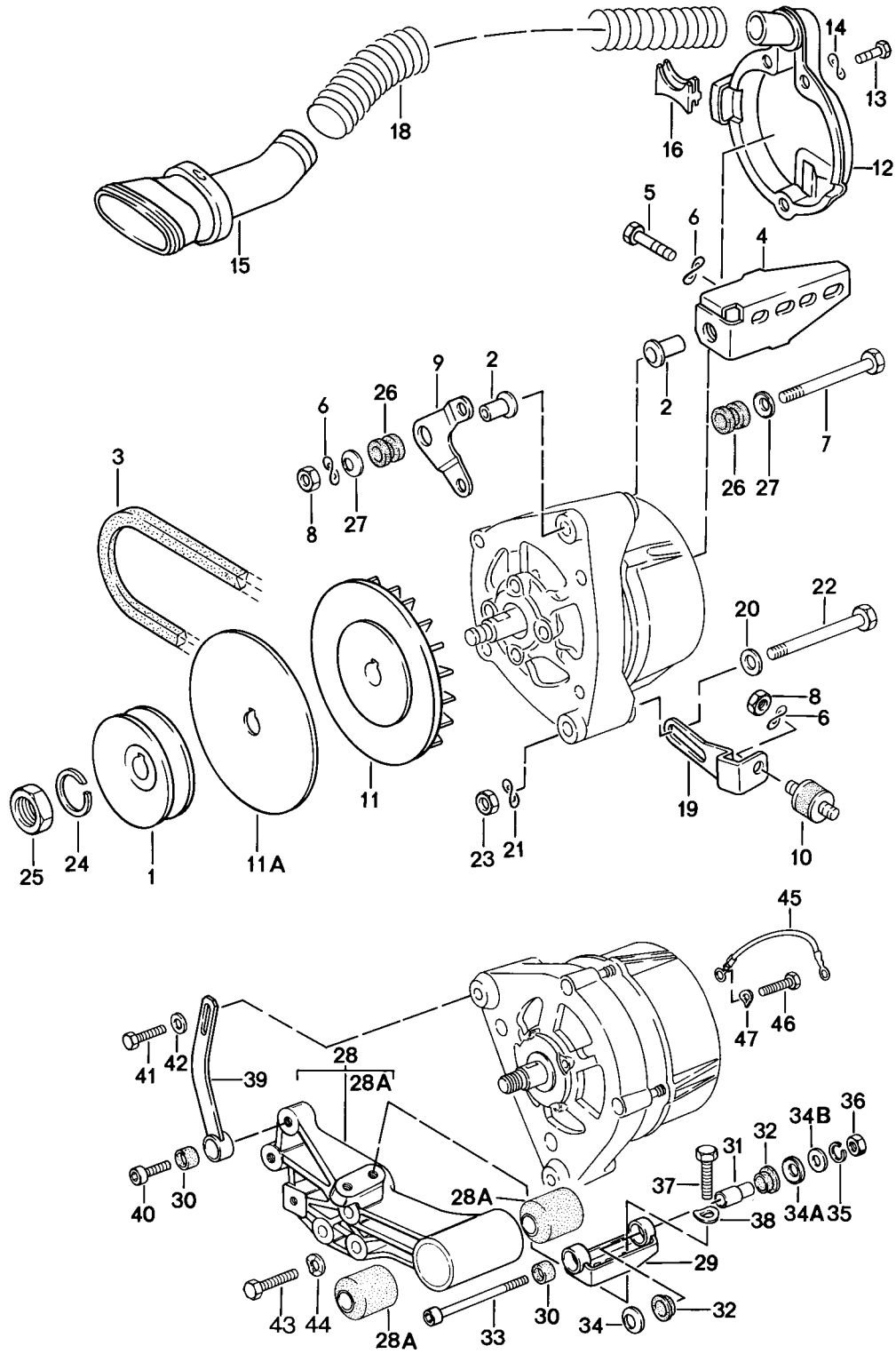
Model: 924 76

Model life 1976>>1979

Pos	Part Number	Description	Remark	Qty	Model
1	068 903 017 D	Generator Generator 75 A		1	
2	063 903 213	Claw-pole rotor		1	
3	028 903 320 B	Parts kit		1	
4	021 903 221 B	Deep-groove ball bearing		1	
5	021 903 221 C	Deep-groove ball bearing		1	
6	063 903 291	Suppressor condenser		1	
7	063 903 351	Generator		1	
8	063 903 359	Diode plate		1	
9	059 903 519	Compression spring		2	
10	063 903 537	End plate		1	
11	021 903 543 A	Retainer plate		1	
12	063 903 555	Pan-head screw with Spring washer		3	
13	070 903 803 A	Regulator switch		1	
14	N 014 125 1	Oval-head screw AM 4 X 18		2	
15	N 012 004 2	Lock ring		2	
16	N 010 842 1	Pan-head screw M 5 X 58		4	
17	N 012 005 3	Lock ring		4	
18	900 025 003 02	Washer		4	
19	N 010 710 8	Pan-head screw AM 6 X 10		1	
20	N 012 226 5	Spring washer		1	
-	063 903 791	Parts kit Terminal B +		1	

Model: 924 76

Model life 1976>>1979



Model: 924 76 Model life 1976>>1979

Pos	Part Number	Description	Remark	Qty	Model
1	046 903 119	Mounting parts for Generator V-belt pulley 66 \$		1	
(1)	035 903 119 C	V-belt pulley 61 \$		1	
2	059 903 127 A	Bearing		2	924
3	047 903 137 A	V-belt for V-belt pulley 66 \$		1	924
(3)	999 192 200 50	V-belt for V-belt pulley 61 \$		1	924
4	046 903 143 A	Support		1	924
5	N 010 239 11	Hexagon-head bolt M 8 X 18		2	924
5	N 010 239 30	Hexagon-head bolt M 8 X 18		2	924
6	N 012 241 11	Spring washer B 8 X 15		4	924
7	N 010 391 4	Hexagon-head bolt BM 8 X 95		1	924
8	N 011 008 8	Hexagon nut		2	924
9	046 903 145 A	Retaining bracket		1	924
(9)	046 903 145 B	Support		1	
10	047 903 149	Rubber mounting		1	924
11	063 903 171	Fan		1	
11A	047 903 129	Damping washer		1	
12	046 903 187 A	Protection cap		1	924
13	999 072 005 09	Hexagon nut M 6 X 12		3	924
13	999 072 005 01	Hexagon nut M 6 X 12		3	924
14	N 012 226 5	Spring washer		3	924
15	047 903 199	Connection piece		1	924
16	046 903 201 A	Intermediate piece		1	924
17	047 903 211	Clamp		1	924
18	477 819 395	Hose		1	924
-	N 024 090 1	Hose clamp		1	924
19	046 903 255 A	Clamp for XF/XH/XK		1	924
(19)	046 903 255 B	Clamp for XE/XG/XJ		1	924
20	823 711 815	Washer		1	924
21	N 012 229 3	Spring washer		1	924
22	N 010 370 5	Hexagon-head bolt M 8 X 70		1	924
23	N 011 008 8	Hexagon nut		1	924
24	N 012 016 1	Lock ring		1	
25	900 078 005 01	Hexagon nut M 14 X 1,5		1	
26	059 903 263 A	Rubber bush		2	924
27	059 903 265 A	Concave washer		2	924
-	111 971 947 B	Cable shoe A 5 X 6		1	
-	111 971 949 B	Cable shoe A 5 X 2,5		3	
-	111 971 959	Flat receptacle		1	

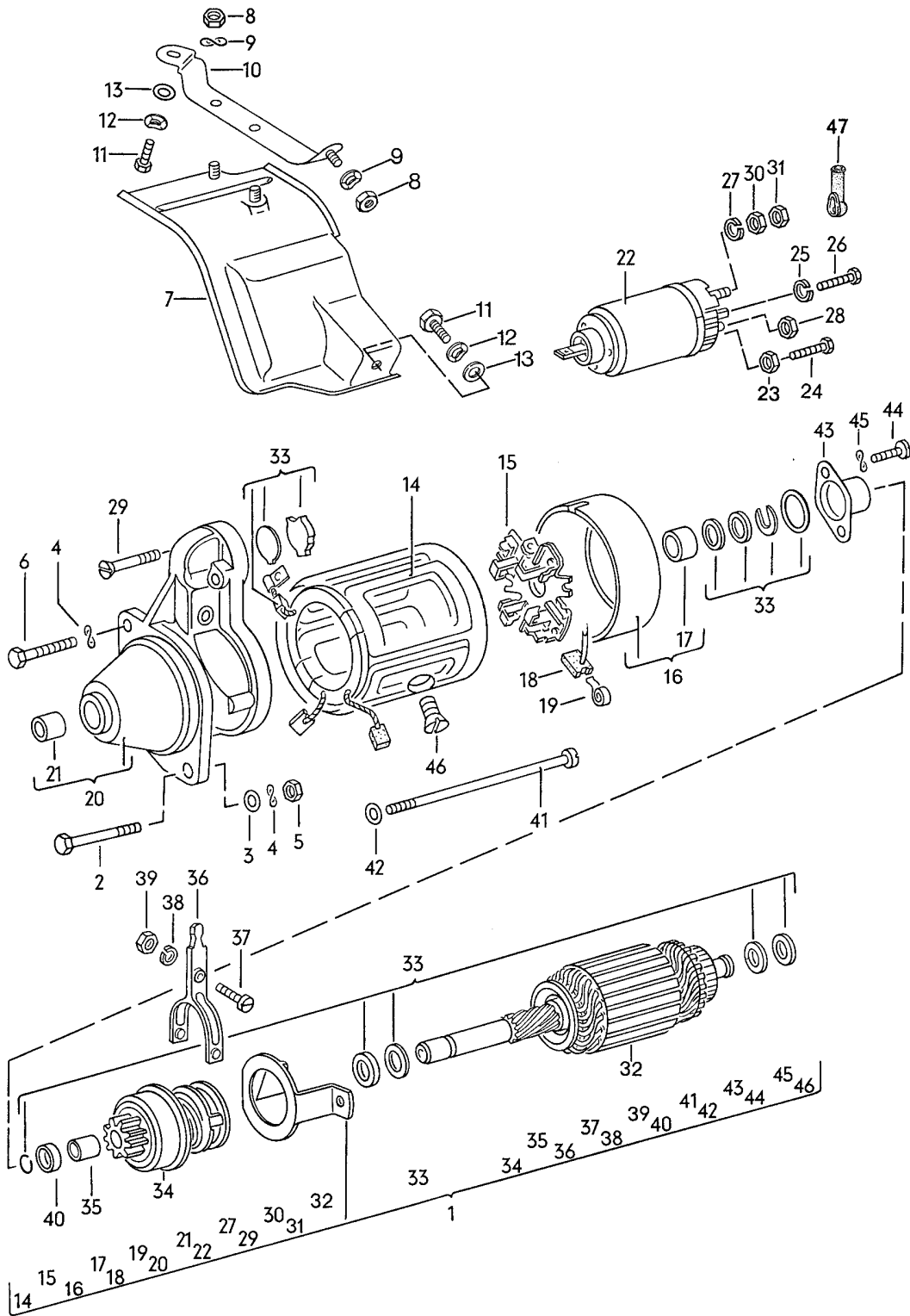
Model: 924 76

Model life 1976&gt;&gt;1979

Pos	Part Number	Description	Remark	Qty	Model
-	PCG 971 959	with Clip 6,3 X 0,8 Flat receptacle without Clip 6,3 X 1,0 SN		X	
-	821 971 970	Connector housing		1	
45	059 971 233 C	Ground strap Generator		1	
46	N 010 210 13	Hexagon-head bolt M 6 X 10		1	
47	N 012 226 5	Spring washer		1	

Model: 924 76

Model life 1976>>1979



Model: 924 76

Model life 1976&gt;&gt;1979

Pos	Part Number	Description	Remark	Qty	Model
1	059 911 023 F	Starter		1	924
(1)	046 911 023	Starter 0,6 KW (0,8 PS)		1	924 AUT.
2	N 010 488 3	Hexagon-head bolt M 12 X 85		1	924
2	059 911 249 B	T-headed screw		1	924
3	N 011 531 7	Washer		1	
4	N 012 232 5	Spring washer		2	
5	N 011 030 4	Hexagon nut		1	
6	N 010 476 3	Hexagon-head bolt M 12 X 75		1	924
7	047 911 045	Cover plate		1	924
8	900 076 010 02	Nut		3	924
8	900 076 010 0B	Nut		3	924
9	N 012 226 5	Spring washer		3	924
10	047 911 061	Support Cover		1	924
11	900 075 087 02	Hexagon-head bolt M 8 X 15		2	924
11	900 075 087 03	Hexagon-head bolt M 8 X 15		2	924
12	N 012 241 11	Spring washer		2	924
13	N 011 525 13	Washer		2	924
14	059 911 115 B	Field coil		1	924
15	311 911 209 A	Retainer plate		1	924
16	056 911 211	Commutator bracket		1	924
17	111 911 213 A	Bearing sleeve		1	924
18	311 911 215 A	Set		1	924
19	059 911 219 A	Compression spring		1	924
20	059 911 255 B	Bearing		1	924
21	014 301 155	Bearing sleeve		1	924
22	059 911 287 B	Solenoid engaging switch		1	924
24	900 075 116 02	Hexagon-head bolt M 4 X 8		1	924
25	N 012 005 3	Lock ring		1	924
26	900 075 001 03	Hexagon-head bolt M 5 X 8		1	924
27	900 027 015 02	Lock ring		3	924
27	900 027 015 03	Lock ring		3	924
28	N 011 008 8	Hexagon nut		1	924
29	052 911 299	Countersunk-head screw		3	924
30	N 011 118 14	Hexagon nut		1	924
30	900 034 001 05	Hexagon nut		1	924
31	N 011 008 8	Hexagon nut		1	924
32	059 911 311 B	Armature		1	924
33	028 911 320	Parts kit		1	924
34	059 911 335	Pinion drive		1	924
35	059 911 339	Shift bush		1	924
36	311 911 365	Gearshift lever		1	924
37	311 911 383	Pan-head screw		1	924
38	N 012 006 4	Lock ring		1	924
39	N 011 116 5	Hexagon nut		1	924
40	028 911 479	Stop ring		1	924
41	059 911 491 A	Pan-head screw		2	924
42	059 911 493 A	Washer		2	924
43	113 911 495	Cap		1	924
44	N 014 122 8	Oval-head screw M 4 X 8		2	924
44	N 014 122 17	Oval-head screw M 4 X 8		2	
45	N 012 224 1	Spring washer		2	924

Model: 924 76

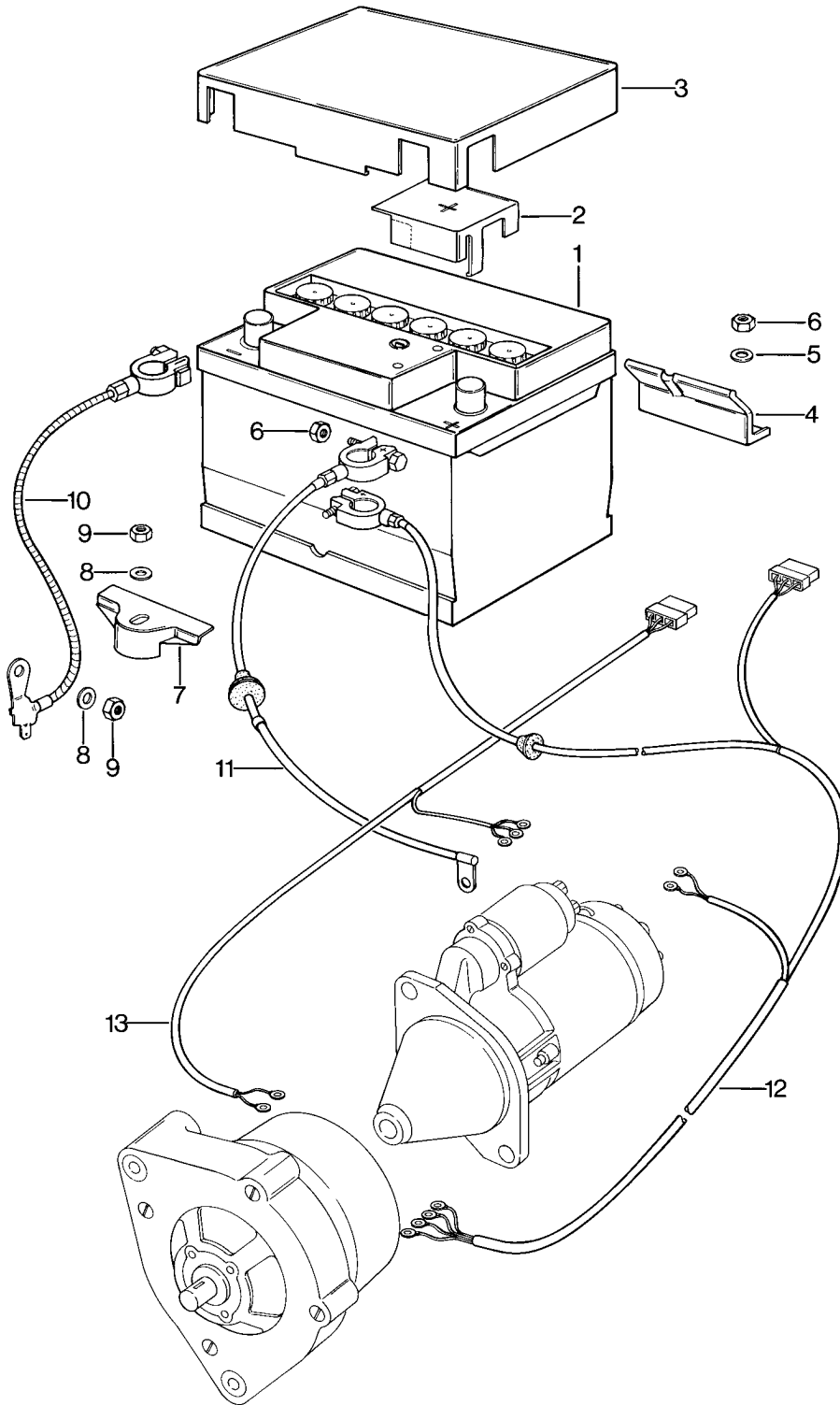
Model life 1976&gt;&gt;1979

Pos	Part Number	Description	Remark	Qty	Model
46	N 010 999 1	Countersunk-head screw M 10 X 13,5		4	924



Model: 924 76

Model life 1976>>1979



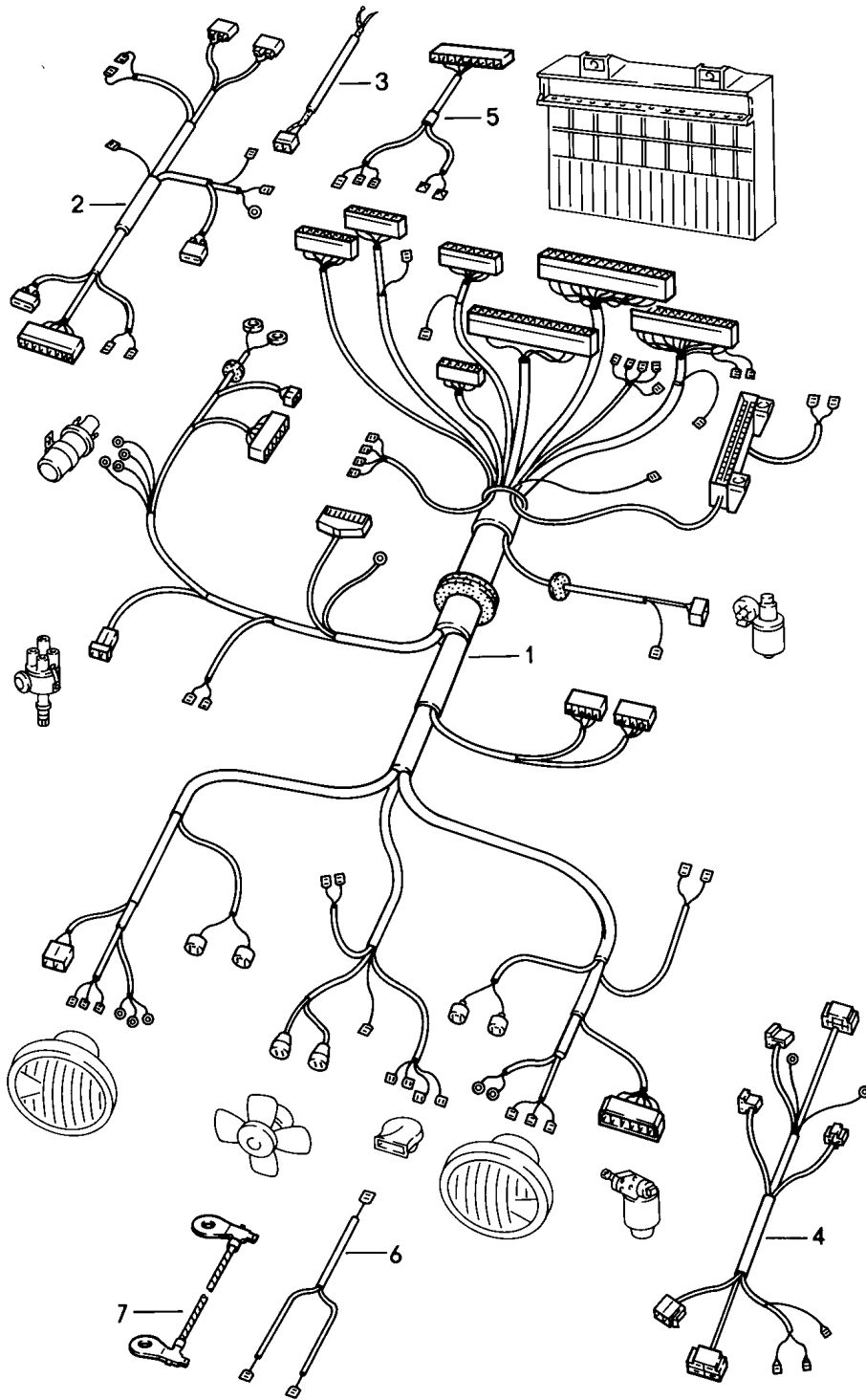
Model: 924 76

Model life 1976>>1979

Pos	Part Number	Description	Remark	Qty	Model
		Battery Wiring harnesses for Starter Generator			
1	999 611 053 20	Battery 50 AH	/LL	1	
(1)	477 915 107 A	Battery 63 AH	/LL	1	
3	281 915 411 F	Battery cover Not for (USA),(CDN)		1	
(3)	477 915 411 A	Battery cover for Battery 63 AH		1	
4	477 915 315	Clip		1	
5	900 151 029 02	Washer B 6,4		2	
6	900 076 010 02	Nut M 6		3	
6	900 076 010 0B	Nut M 6		3	
7	914 611 233 10	Tension terminal		1	
8	311 827 181	Washer		2	
9	N 011 008 8	Hexagon nut M 8		2	
10	477 971 221	Ground strap		1	
11	477 971 224	Battery-starter cable	/LL	1	924
13	047 971 224 A	Battery-starter cable Generator Starter		1	924

Model: 924 76

Model life 1976>>1979



Model: 924 76 Model life 1976>>1979

Pos	Part Number	Description	Remark	Qty	Model
(1)	477 971 071 B	Wiring harnesses Engine compartment Wiring harness Engine compartment F >>92472 03260	(CDN) (USA)	1	
(1)	477 971 071 E	Wiring harness Engine compartment F 92472 03261>> F >>92482 02154	(CDN) (USA)	1	
(1)	477 971 071 EA	Wiring harness Engine compartment F 92482 02155>> F >>92482 11638	(CDN) (USA)	1	
(1)	477 971 071 EB	Wiring harness Engine compartment Wiring harness	(CDN) (USA) 79-	1	
(1)	477 971 071 L	Wiring harness	(CDN) (USA) 79-	1	
(1)	477 971 071 C	Engine compartment Wiring harness Engine compartment F >>92473 00143	(J)	1	M573
(1)	477 971 071 F	Wiring harness Engine compartment F 92473 00144>> F >>92483 30116	(J)	1	
(1)	477 971 071 FA	Wiring harness Engine compartment F 92483 30117>> F >>92483 30450	(J)	1	
(1)	477 971 071 FB	Wiring harness Engine compartment	(J) 79-	1	
(1)	477 971 071 M	Wiring harness Engine compartment	(J) 79-	1	
(2)	477 971 761 A	Wiring harness K-jetronic F >>92472 03260 F >>92473 00143		1	M573
(2)	477 971 761 B	Wiring harness K-jetronic F >>92472 03260 F >>92473 00143 Wiring harness K-jetronic F 92472 03261>> F >>92482 11638 F 92473 00144>> F >>92483 30450		1	924 M414
(2)	477 971 761 C	Wiring harness K-jetronic for XE F 92472 30001>> F >>92472 35789		1	M027
(2)	477 971 761 BA	Wiring harness K-jetronic	79-	1	924
(3)	477 971 469 A	Wiring harness TSZ Ignition control unit Wiring harness TSZ Ignition control unit		1	924

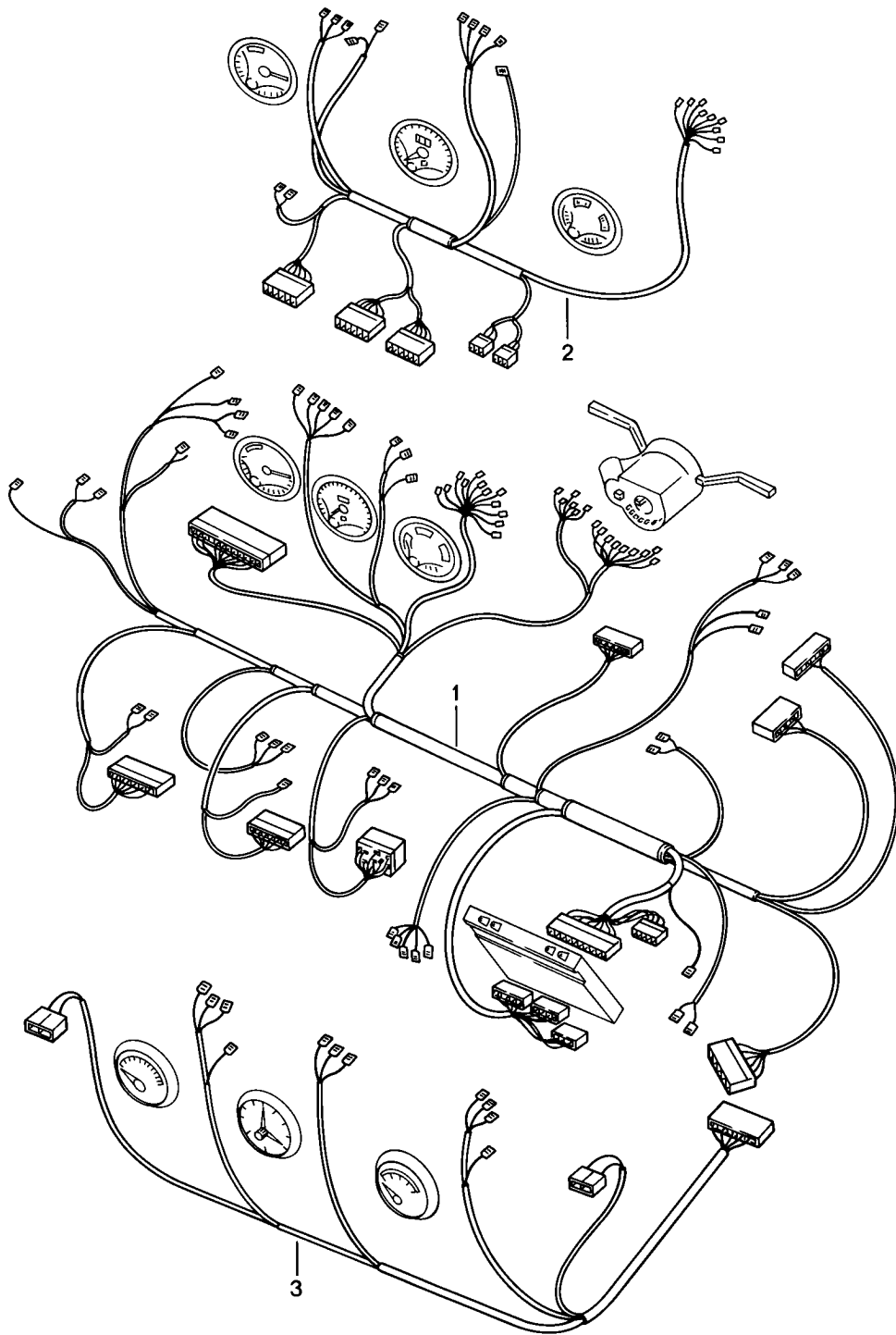
Model: 924 76

Model life 1976>>1979

Pos	Part Number	Description	Remark	Qty	Model
(4)	477 971 561	Wiring harness Air conditioner F >>92472 31686 F >>92473 30074	/LL	1	
(4)	477 971 561 A	Wiring harness Air conditioner F 92472 31687>> F 92473 30075>>	/LL -78	1	
4	477 971 563	Wiring harness Air conditioner Headlight washer system	/LL 79-	1	
5	477 971 205	Wiring harness		1	
6	477 971 322	Double line		1	
(6)	477 971 322 A	Double line	79-	1	
7	477 971 235	Ground strap Engine Body		1	

Model: 924 76

Model life 1976>>1979



Model: 924 76

Model life 1976>>1979

Pos	Part Number	Description	Remark	Qty	Model
(1)	477 971 050	Wiring harnesses Wiring harness Dashboard Not for (USA),(CDN) F >>92473 00143	/LL	1	
(1)	477 971 050 D	Wiring harness Dashboard Not for (USA),(CDN) F 92473 00144>>	/LL	1	
(1)	477 971 050 DA	F >>92483 30084 Wiring harness Dashboard Not for (USA),(CDN) F 92483 30085>>	/LL	1	
1	477 971 050 DB	F >>92483 30450 Wiring harness Dashboard Not for (USA),(CDN)	/LL 79-	1	
(1)	477 971 050 A	Wiring harness Dashboard F >>92472 03260	(CDN) (USA)	1	
(1)	477 971 050 E	Wiring harness Dashboard F 92472 03261>>	(CDN) (USA)	1	
(1)	477 971 050 EA	F >>92482 01199 Wiring harness Dashboard F 92482 01200>>	(CDN) (USA)	1	
(1)	477 971 050 EB	F >>92482 11638 Wiring harness Dashboard	(CDN) (USA) 79-	1	
(1)	477 971 050 F	Wiring harness Dashboard Not for (USA),(CDN) F >>92483 30084	/LL	1	AUT.
(1)	477 971 050 FA	Wiring harness Dashboard F 92483 30085>>	/LL	1	AUT.
(1)	477 971 050 FB	F >>92483 30450 Wiring harness Dashboard Not for (USA),(CDN)	/LL 79-	1	AUT.
(1)	477 971 050 G	Wiring harness Dashboard F >>92482 01199	(CDN) (USA)	1	AUT.
(1)	477 971 050 GA	Wiring harness Dashboard F 92482 01200>>	(CDN) (USA)	1	AUT.
(1)	477 971 050 GB	F >>92482 11638 Wiring harness Dashboard	79- (CDN) (USA)	1	AUT.
2	477 971 051	Wiring harness Instruments	-78	1	
(3)	477 971 196 B	Wiring harness Instruments Centre console		1	M414

Model: 924 76

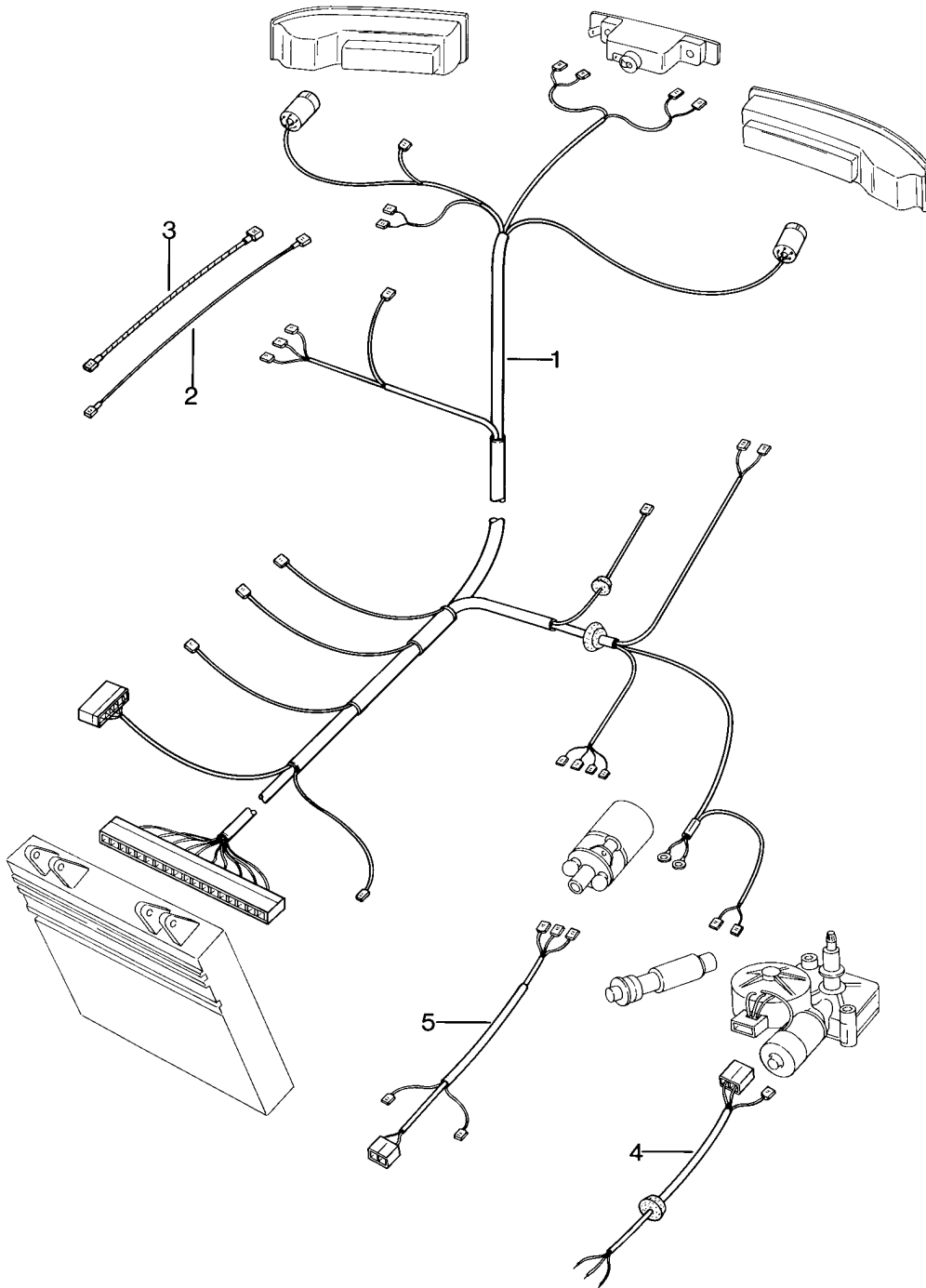
Model life 1976&gt;&gt;1979

Pos	Part Number	Description	Remark	Qty	Model
(3)	477 971 196 C	Wiring harness Centre console		1	M573
3	477 971 196 D	Wiring harness Centre console Oil pressure indicator Voltmeter		1	



Model: 924 76

Model life 1976>>1979



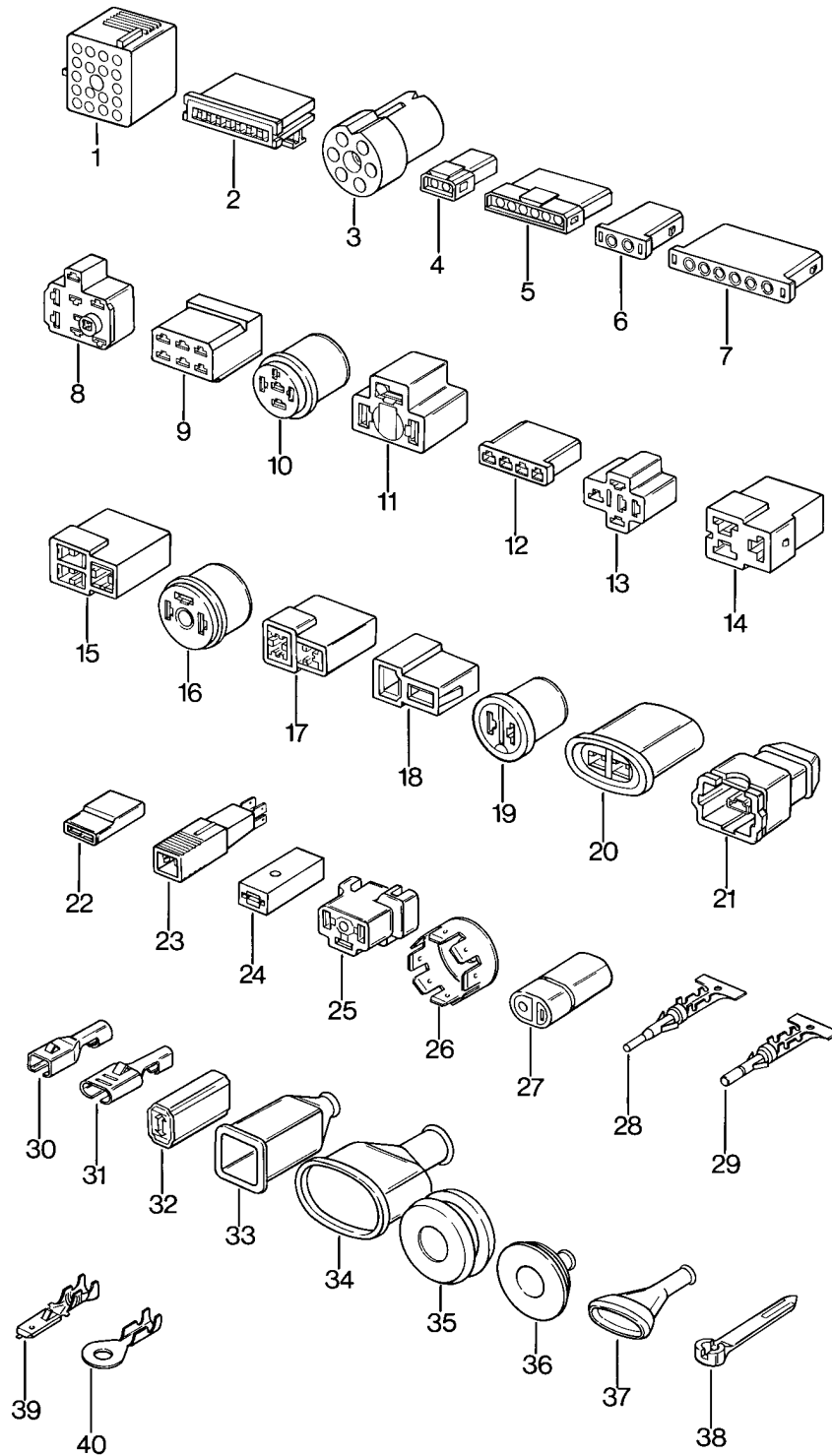
Model: 924 76

Model life 1976>>1979

Pos	Part Number	Description	Remark	Qty	Model
(1)	477 971 011 B	Wiring harnesses Rear end Wiring harness Rear end F >>92472 04806 F >>92473 00186		1	
(1)		Wiring harness Rear end F 92472 04807>> F 92473 00187>>		1	
1	477 971 011 BA	Wiring harness Rear end	78-	1	
(1)	477 971 011 CA	Wiring harness Rear end	78-	1	AUT.
2	477 971 257 B	Single line Gas-pressure spring		2	
3	477 971 263 B	Ground strap Gas-pressure spring		2	
4	477 971 345	Wiring harness for		1	
5	477 971 346	Rear window wiper Wiring harness Rocker switch Rear window wiper		1	

Model: 924 76

Model life 1976>>1979



Model: 924 76

Model life 1976&gt;&gt;1979

Pos	Part Number	Description	Remark	Qty	Model
1	171 971 971	Push-on connector Connector housing Yellow 20-pole		1	
(1)	171 971 971 A	Connector housing Black 22-pole		1	
(1)	171 971 971 B	Connector housing Blue 22-pole		1	
(1)	171 971 971 C	Connector housing Clear 19-pole		1	
(1)	171 971 971 D	Connector housing Red 20-pole		1	
(1)	171 971 971 E	Connector housing White Matte		1	
2	113 971 998 B	Connector housing 8-pole		X	
3	803 971 979	Plug socket 7-pole		1	
(4)	171 971 998	Connector housing Single pole		X	
4	171 971 998 A	Connector housing 2-pole		X	
(4)	171 971 998 C	Connector housing 4-pole		1	
5	171 971 998 E	Connector housing 6-pole		X	
(6)	171 971 999	Terminal sleeve housing Single pole		X	
6	171 971 999 A	Terminal sleeve housing 2-pole		X	
7	171 971 999 E	Connector housing 6-pole		X	
8	321 971 999 A	Terminal sleeve housing Light switch	-78	1	
(8)	477 971 999	Terminal sleeve housing Light switch	79-	1	
9	803 971 831	Terminal sleeve housing 6-pole		1	
10	113 971 835	Terminal sleeve housing 5-pole		1	
11	914 612 327 10	Connector housing 3-pole		X	
12	311 906 231 B	Connector housing 3-pole		1	
13	803 971 835 A	Terminal sleeve housing 3-pole		1	
14	821 971 970	Connector housing 3-pole		1	
15	821 971 975	Flat connector socket 3-pole		1	
16	113 945 525	Terminal sleeve housing 3-pole		6	
17	815 971 988 A	Connector housing 2-pole		X	
18	815 971 989 A	Connector housing		X	
19	810 971 993	Terminal sleeve housing		X	
20	810 971 989	Connector housing		X	
21	022 906 231 A	Connector housing		X	

Model: 924 76

Model life 1976&gt;&gt;1979

Pos	Part Number	Description	Remark	Qty	Model
22	825 971 990	Terminal sleeve housing Single pole		X	
23	059 905 371	Diode connector		1	
24	111 971 977	Flat connector socket		X	
25	111 941 341	Terminal sleeve housing		2	
26	171 971 519 A	Ground connector		1	
26	PCG 971 519 A	Ground connector		1	
27	914 612 417 10	Fuse holder		1	
28	N 017 589 4	Round connector with Clip 1,6 X 1		X	
(28)	N 017 586 2	Round connector with Clip 2,1 X 1		X	
29	N 017 597 2	Cylindrical socket with Clip 1,6 X 1		X	
(29)	N 017 592 2	Cylindrical socket with Clip 1,6 X 2,5		X	
30	111 971 958	Flat receptacle with Clip 2,8 X 0,8		X	
(30)		Flat receptacle with Clip 2,8 X 1		X	
(30)		Flat receptacle with Clip 2,8 X 1		X	
(30)	N 017 243 1	Flat receptacle with Clip 2,8 X 1,5		X	
31	111 971 959	Flat receptacle with Clip 6,3 X 0,8		X	
(31)	PCG 971 959	Flat receptacle without Clip 6,3 X 1,0 SN		X	
(31)	999 652 106 02	Flat receptacle with Clip 6,3 X 1		X	
(31)	N 017 491 8	Flat receptacle with Clip 6,3 X 2,5		X	
32	111 971 921	Protection cap for Flat connector		X	
33	803 957 855 B	Protective grommet for Connector housing		1	
34	431 971 866	Grommet		1	

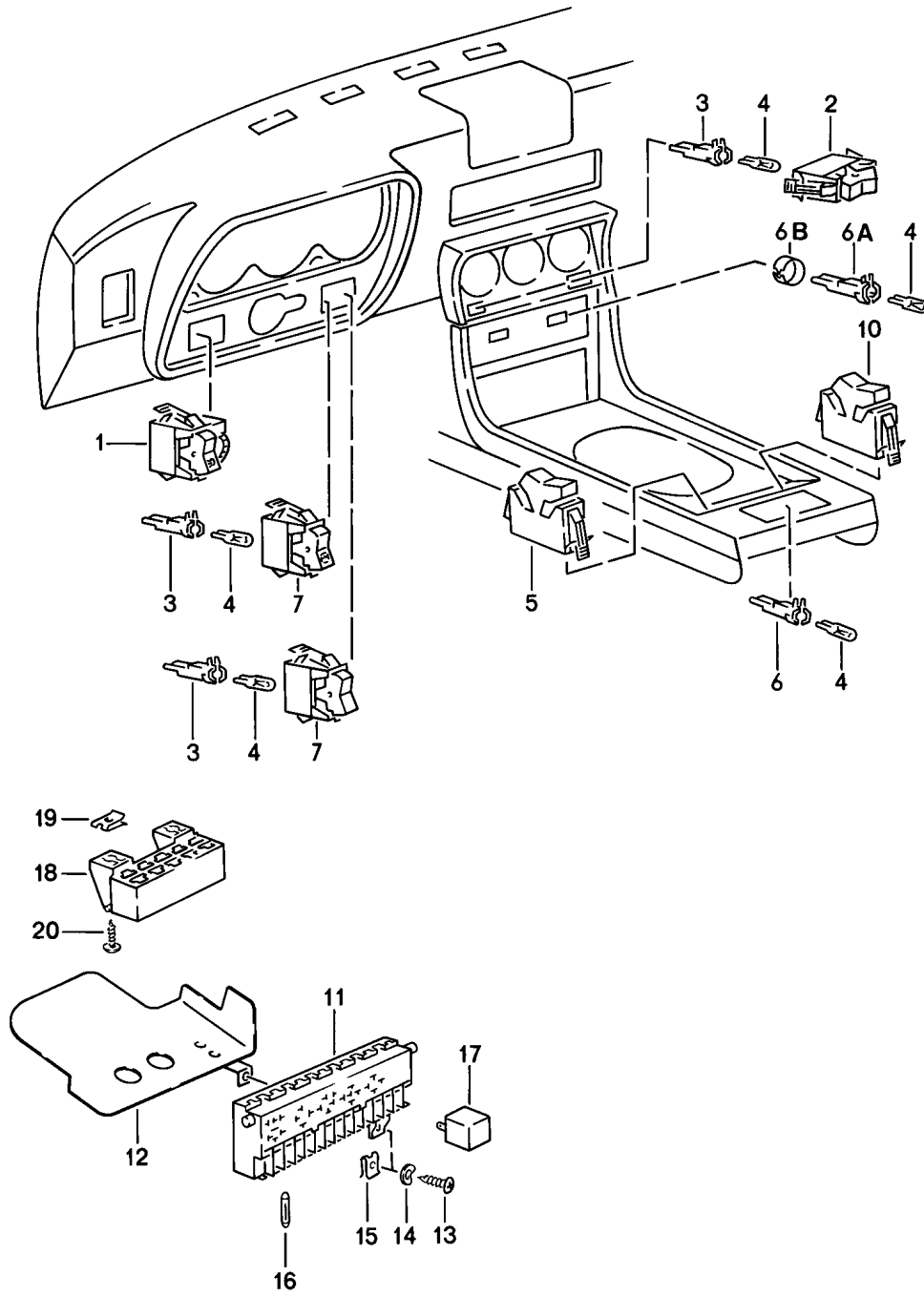
Model: 924 76

Model life 1976>>1979

Pos	Part Number	Description	Remark	Qty	Model
(35)	477 971 871	for Terminal sleeve housing Protective grommet Wiring harness Engine compartment		X	
35	477 971 871 B	Protective grommet Wiring harness Engine compartment		X	
36	477 971 911	Protective grommet Wiring harness Starter battery		1	
37	022 906 102	Protection cap		1	
38	477 971 850 A	Tie-wrap for Starter cable		2	
39	111 971 985	Flat plug with Clip 6,3 X 1		X	
(39)	N 017 457 2	Flat plug with Clip 2,8 X 1		X	
(39)	111 971 986	Flat plug with Clip 6,3 X 2,5		X	
40	999 650 532 00	Cable shoe		X	
(40)	N 017 516 2	Cable shoe		X	
(40)	N 017 515 4	Cable shoe		X	
(40)	N 017 505 4	Cable shoe		X	

Model: 924 76

Model life 1976>>1979



Model: 924 76 Model life 1976>>1979

Pos	Part Number	Description	Remark	Qty	Model
1	321 941 531 A	Switch Fuse box Relay Rocker switch	/LL -78	1	
1	477 941 531 B	Light switch Not for	79-	1	
(1)	477 941 531 F	(USA),(CDN) Light switch Not for	79-	1	
(1)	321 941 531 B	(USA),(CDN) Rocker switch	(CDN) (USA) -78	1	
(1)	477 941 531 G	for light Light switch	(CDN) (USA) 79-	1	
(2)	477 953 235 A	Emergency light switch	(CDN) (USA)	1	
3	141 957 397 A	Bulb socket		X	
4	900 631 132 90	Bulb		X	
(5)	911 613 113 00	W 12 V, 1,2 W Changeover switch		X	
6A	914 631 179 10	Bulb socket		2	
6B	477 919 333	Knob holder Bulb socket Blower switch		2	
9	133 959 621	Switch Rear window heating		1	
10	477 955 701	Rocker switch Rear window wiper		1	
(10)	477 955 702	Switch Headlight washer system		1	
11	477 941 813	Relay plate with Fuse holder		1	
12	477 941 802	Cover	/LL	1	
13	900 143 072 02	Oval-head sheetmetal screw B 3,5 X 19		1	
14	N 011 663 1	Washer		1	
15	N 015 438 1	Speed nut B 3,5 X 16,5		1	
16	N 017 121 1	Safety fuse 8 A		X	
(16)	N 017 121 4	Lock 16 A		X	
(16)	N 017 121 5	Lock 25 A		1	M573
-	111 937 091 A	Terminal with Lock		1	M573
-	171 937 091	Safety fuse		X	
(17)	111 943 383 C	Relay Electric motor		1	
(17)	928 615 116 01	Pop-up headlight Relay Electric motor		1	
-	477 971 923	Pop-up headlight Protection cap for Relay		1	
(17)	111 941 583	Pop-up headlight Relay	(CDN) (USA)	1	
(17)	477 906 059	Low/high beam Relay	-78	1	

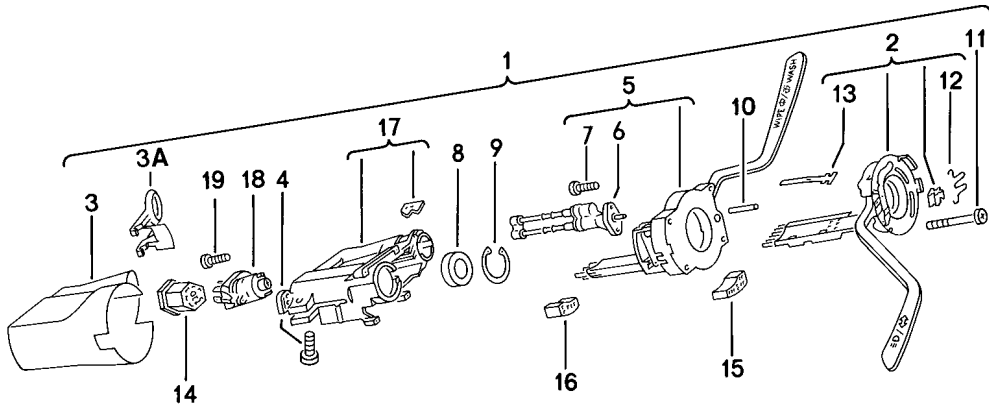


Model: 924 76 Model life 1976>>1979

Pos	Part Number	Description	Remark	Qty	Model
(17)	433 906 059	Fuel pump	79-	1	
		Relay			
(17)	911 617 119 00	Fuel pump	(J)	1	
		Switch unit			
		Exhaust gas			
		Temperature monitoring			
(17)	477 951 253	Relay	-78	1	
		Electric fan			
(17)	477 951 253 A	Relay	-78	1	
		Rear window heating			
(17)	111 953 227 D	Flasher relay		1	
(17)	191 953 227 A	Flasher relay		1	
(17)	1H0 953 227	Flasher relay		1	
(17)	477 955 531 A	Interval relay		1	
(17)	477 955 531 B	Interval relay		1	
(17)	431 951 253 H	Relay	-78	1	
		Additional headlamp			
-	135 937 501 A	Relay carrier		X	
(17)	477 963 135	Relay	-78	1	
		Air conditioner			
(17)	477 963 137	Relay	-78	1	
		Motor fan			
(17)	477 959 143	Relay	79-	2	
		Motor fan			
		Air conditioner			
(17)	944 615 113 00	Relay	79-	2	
		Motor fan			
		Air conditioner			
(17)	944 615 113 01	Relay	79-	2	
		Motor fan			
		Air conditioner			
(17)	944 615 113 02	Relay	79-	2	
		Motor fan			
		Air conditioner			
(17)	321 919 433	Warning time relay		1	
(17)	141 951 253 B	Relay		3	
		Fan			
		Additional headlamp			
		Rear window heating			
		F >>92482 11638			
		F >>92483 30450			
		Use also:			
-	477 971 207	Wiring harness		1	
(17)	141 951 253 B	Relay		1	
		Horn			
18	477 937 511	Fuse holder	79-	1	
		9-pole			
19	N 045 421 1	Speed nut		2	
20	N 013 964 4	Oval-head sheetmetal screw		2	
		B 4,2 X 16			

Model: 924 76

Model life 1976>>1979



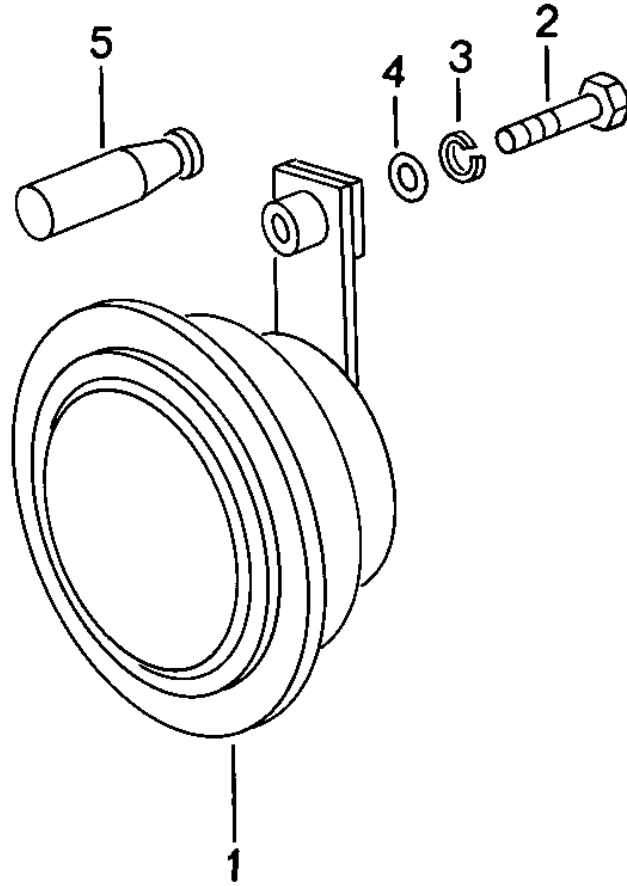
Model: 924 76

Model life 1976>>1979

Pos	Part Number	Description	Remark	Qty	Model
1	113 953 503 BG	Steering column switch	(CDN) (USA)	1	
1		Steering column switch	-78	1	
(1)	477 953 503 B	Steering column switch Not for (USA),(CDN)	79-	1	
2	111 953 513 F	Direction indicator switch Upper part		1	
3	113 953 515	Lining		1	
3A	477 953 517	Cover		1	
4	N 014 707 4	Pan-head screw M 8 X 15		1	
5	111 953 519 G	Switch Windscreen wiper system Windscreen washer system		1	
8	911 347 771 02	Ball bearing		1	
9	111 953 563 A	Circlip Ball bearing		1	
10	111 953 572 A	Spacer sleeve		4	
11	111 953 573 A	Oval-head screw		4	
12	111 953 575	Spring		1	
13	111 971 983	Flat plug		X	
14	111 953 631	Terminal sleeve housing Ignition starter switch		1	
15	111 953 633	Terminal sleeve housing Direction indicator switch		1	
16	111 953 635 A	Terminal sleeve housing Wiper switch		1	
17	113 905 851 A	Steering lock without Ignition starter switch		1	
18	111 905 865 L	Ignition starter switch		1	
19	N 010 802 2	Oval-head screw AM 3 X 6		1	

Model: 924 76

Model life 1976>>1979



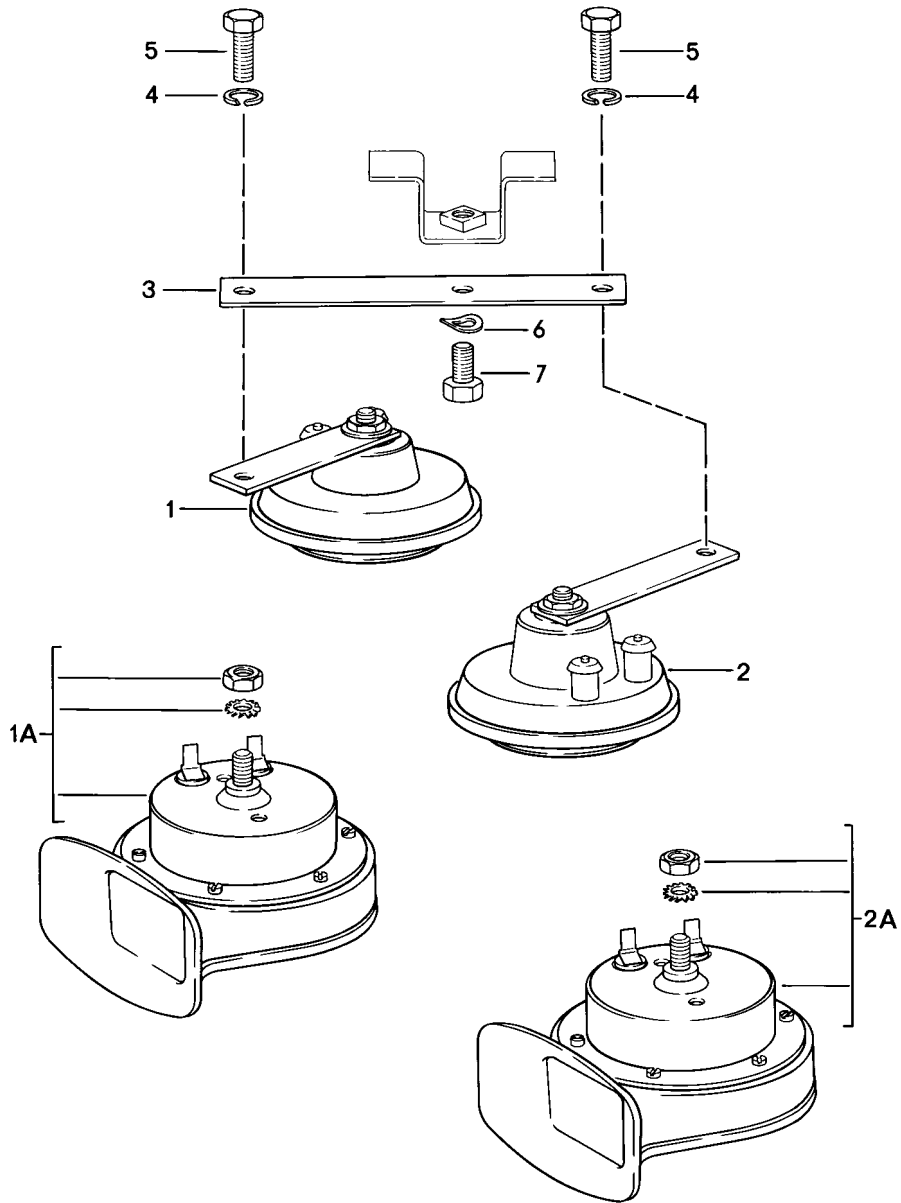
Model: 924 76

Model life 1976&gt;&gt;1979

Pos	Part Number	Description	Remark	Qty	Model
1	191 951 113 A	Horn Horn Low-pitched	-78 /L	1	
(1)	944 637 103 01	Horn High-pitched	/R	1	
2	N 010 239 11	Hexagon-head bolt M 8 X 18		2	
2	N 010 239 30	Hexagon-head bolt M 8 X 18		2	
3	900 027 015 02	Lock ring		2	
3	900 027 015 03	Lock ring		2	
4	N 011 696 1	Washer		2	
5	111 951 195 A	Rubber sleeve		2	

Model: 924 76

Model life 1976>>1979



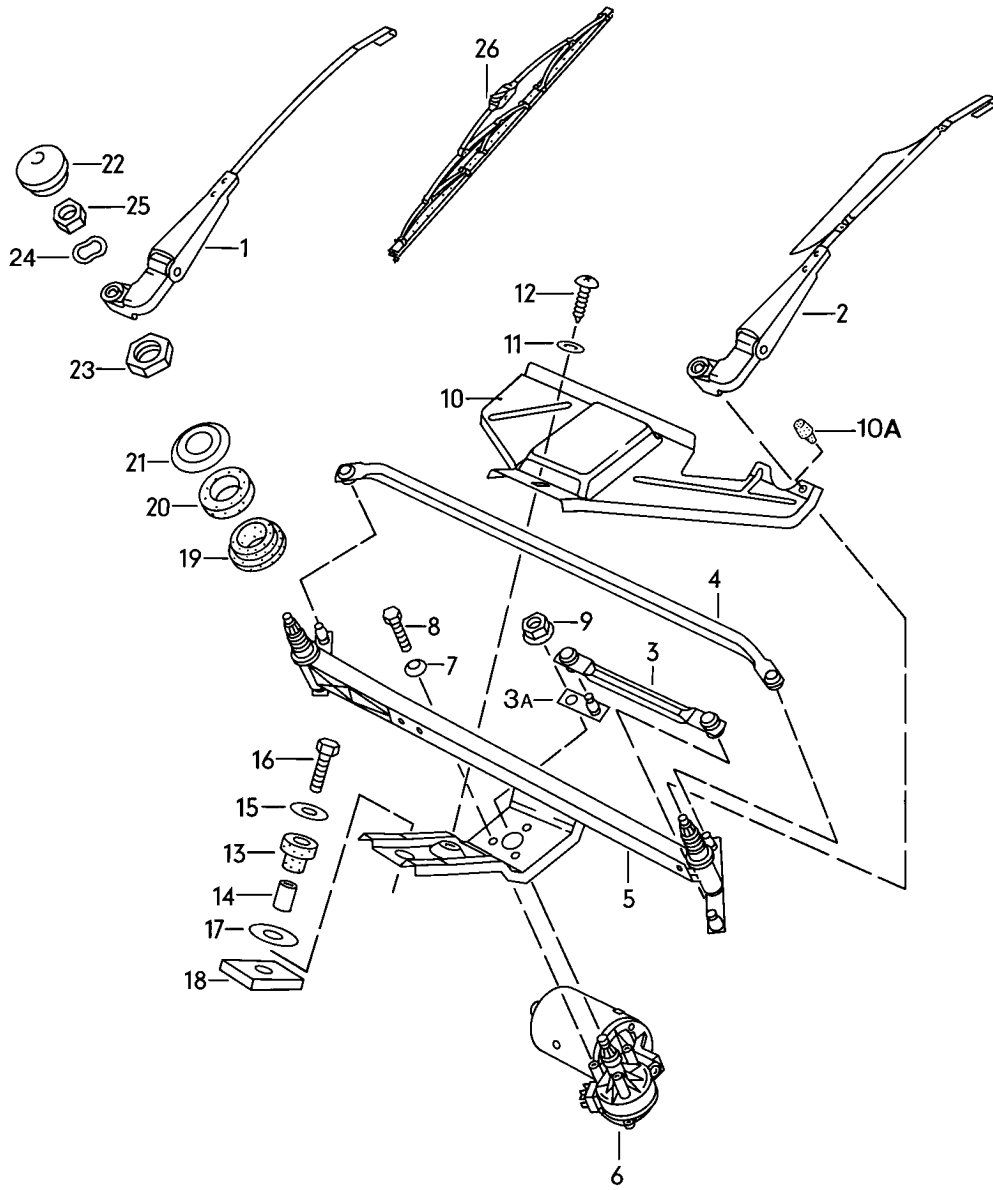
Model: 924 76

Model life 1976&gt;&gt;1979

Pos	Part Number	Description	Remark	Qty	Model
1	191 951 113 A	Horn		1	79
		Horn			924
		Low-pitched			
2	944 637 103 01	Horn		1	924
		High-pitched			
3	171 951 199 B	Support		1	924
4	900 027 015 02	Lock ring		2	924
4	900 027 015 03	Lock ring		2	924
5	N 010 239 11	Hexagon-head bolt		2	924
		M 8 X 18			
5	N 010 239 30	Hexagon-head bolt		2	924
		M 8 X 18			
6	N 012 228 3	Spring washer		1	
7	900 075 087 02	Hexagon-head bolt		1	
		M 8 X 15			
7	900 075 087 03	Hexagon-head bolt		1	
		M 8 X 15			

Model: 924 76

Model life 1976>>1979



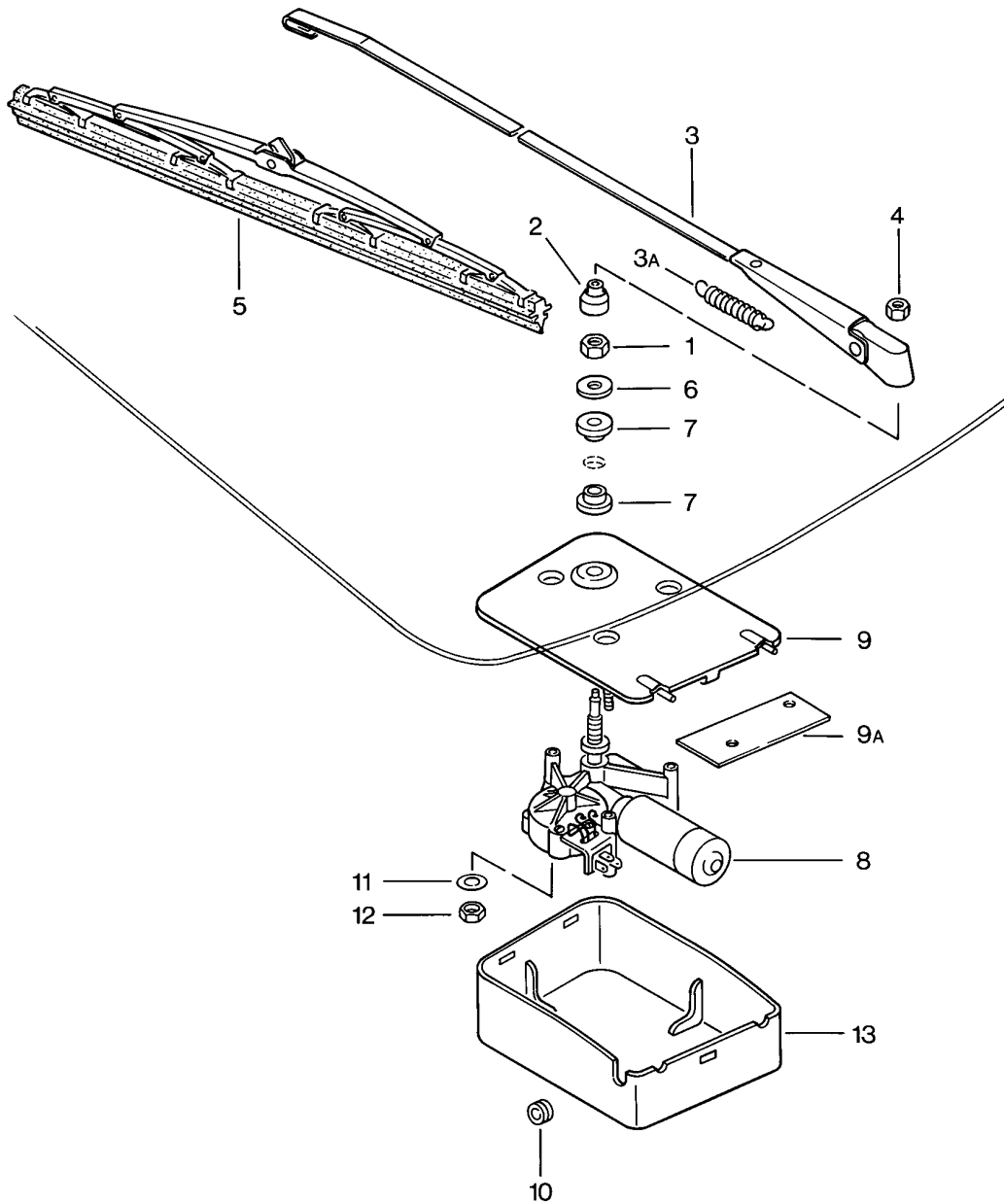


Model: 924 76 Model life 1976>>1979

Pos	Part Number	Description	Remark	Qty	Model
1	477 955 028	Windscreen wiper system		1	
1		Wiper arm			
		Passenger's side			
1		Wiper arm	(CDN) (USA)	1	
		Driver's side			
(2)	477 955 027	Wiper arm	/LL	1	
		with spoiler			
		Driver's side			
		Not for			
		(USA),(CDN)			
(2)	477 955 028	Wiper arm	/LL	1	
		with spoiler			
		Driver's side			
		Not for			
		(USA),(CDN)			
3	477 955 035 B	Connecting rod		1	
		Short			
3A	477 955 039 A	Crank		1	
4	477 955 036 B	Connecting rod		1	
		Long			
5	477 955 041 B	Frame		1	
6	477 955 113 B	Windscreen wiper motor		1	
7	N 012 105 3	Serrated lock washer		3	
8	999 072 005 09	Hexagon nut		3	
		M 6 X 12			
8	999 072 005 01	Hexagon nut		3	
		M 6 X 12			
9	999 084 045 02	Lock nut		1	
10	477 955 123	Cover	/LL	1	
10A	803 827 589 A	Rubber stop		1	
11	900 151 028 02	Washer		1	
11	900 151 028 01	Washer		1	
12	N 013 957 5	Oval-head sheetmetal screw		1	
		BZ 3,5 X 9,5			
13	477 955 127	Rubber bush		1	
14	477 955 128	Spacer sleeve		1	
15	900 151 029 02	Washer		1	
16	N 010 217 9	Hexagon-head bolt		1	
		M 6 X 20			
17	281 711 135	Washer		1	
		12,2 X 28 X 2			
18	477 955 129	Desk pad		1	
19	901 628 924 00	Rubber bush		2	
20	901 628 923 01	Rubber bush		2	
21	911 628 963 00	Flange washer		2	
		Black			
22	477 955 205	Cap		2	
23	481 955 243 A	Hexagon nut		2	
24	803 955 437	Spring washer		2	
25	N 011 008 8	Hexagon nut		2	
26	477 955 425 B	Windscreen wiper blade		2	
(26)	478 955 425	Wiper blade		2	
		for			
		Wiper arm			
		477.955.028			
		477.955.027			

Model: 924 76

Model life 1976>>1979



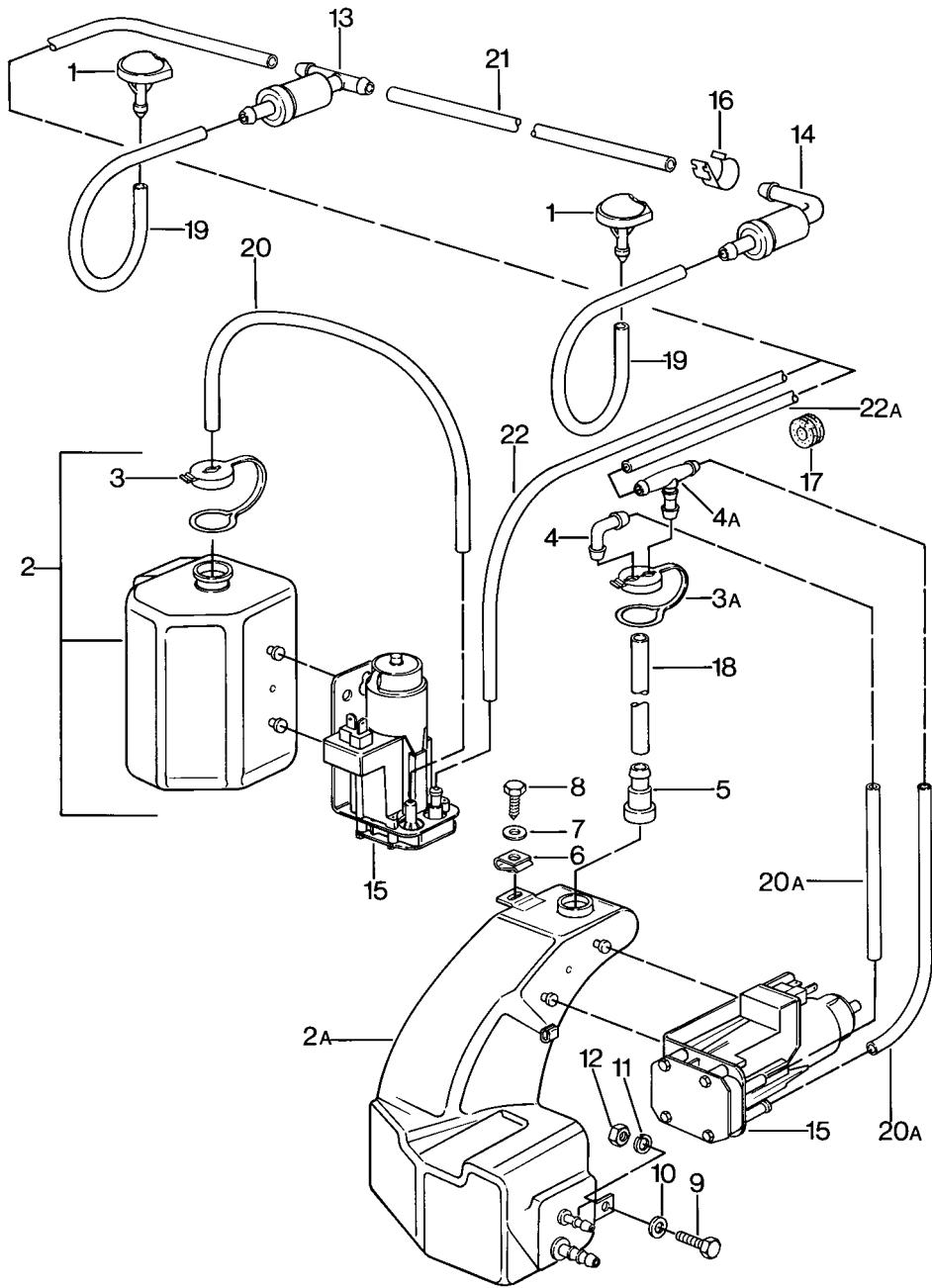
Model: 924 76

Model life 1976>>1979

Pos	Part Number	Description	Remark	Qty	Model
1	311 955 243 A	Rear window wiper Hexagon nut M 12 X 1		1	M425
2	211 955 275 A	Housing		1	
3	477 955 409 A	Wiper arm		1	
3A	477 955 411	Spring		1	
4	999 084 045 02	Lock nut		1	
(5)	928 628 218 01	Wiper blade		1	
(5)	928 628 218 02	Wiper blade		1	
6	477 955 435 A	Spacer		1	
7	477 955 439	Grommet		2	
8	477 955 713 A	Wiper motor Together with Rear lid MOD.88- Use also:		1	
-	944 628 071 02	Mounting plate		1	
-	944 628 071 02 03C	Black			
-	445 955 753	Bush		1	
-	533 955 758	Gasket		1	
-	944 628 103 00	Bush		1	
-	N 014 133 8	Oval-head screw M 5 X 12		2	
-	N 014 133 I	Oval-head screw M 5 X 12		2	
-	N 011 524 7	Washer A 6,4		4	
-	N 011 524 27	Washer A 6,4		4	
-	999 209 017 02	Spacer sleeve		2	
-	999 702 180 40	Rubber sleeve		2	
9	477 955 715 B	Mounting plate		1	
9A	477 955 719	Intermediate plate	-78	1	
10	111 941 189	Drain bush		1	
11	N 012 226 5	Spring washer B 6		3	
12	900 076 010 02	Nut M 6		3	
12	900 076 010 0B	Nut M 6		3	
13	477 955 737	Cap		1	
-	311 949 149 B	Grommet for Wiring harness		1	
-	171 971 999 A	Terminal sleeve housing		1	

Model: 924 76

Model life 1976>>1979

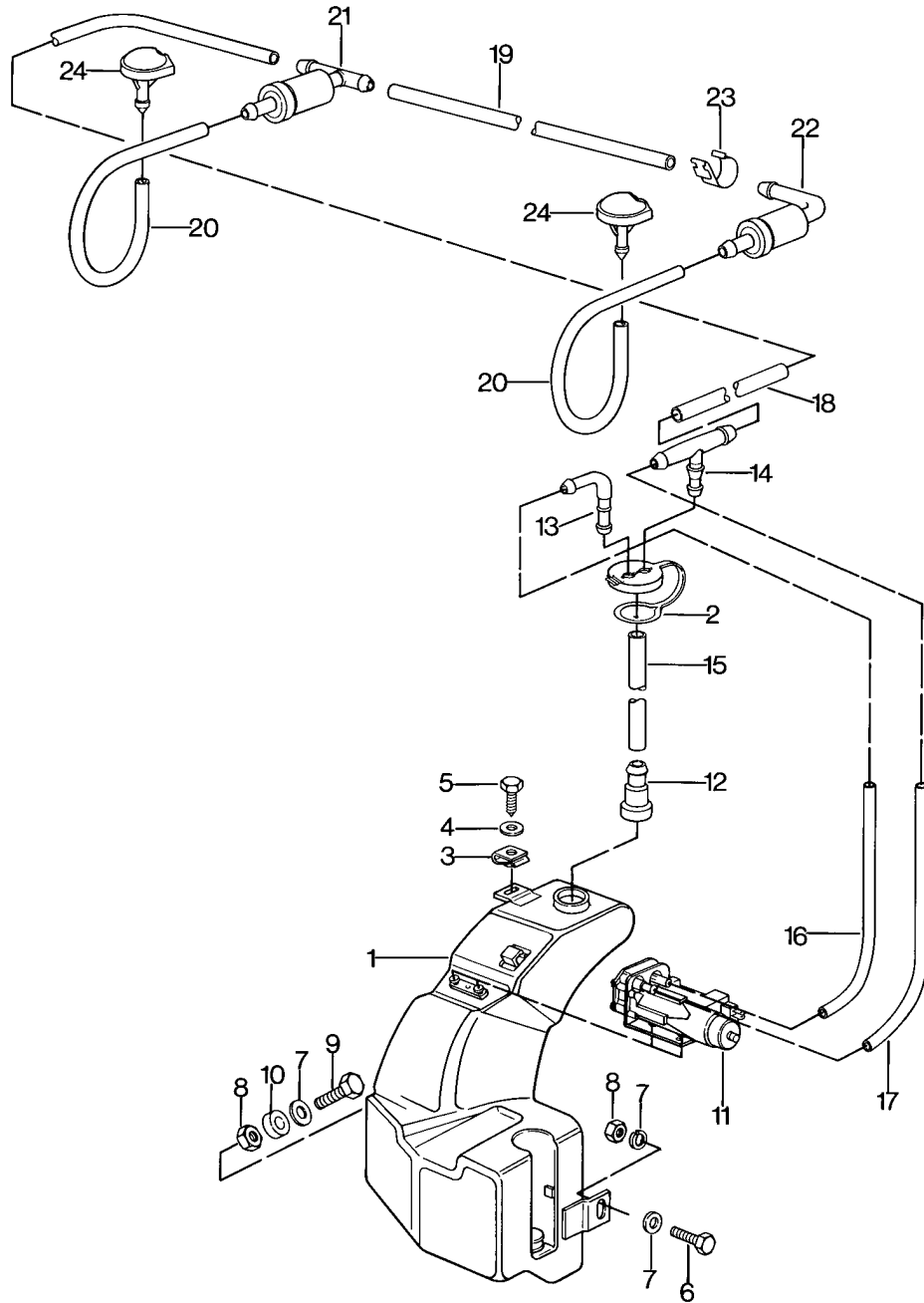


Model: 924 76 Model life 1976>>1979

Pos	Part Number	Description	Remark	Qty	Model
		Windscreen washer system	-78		
1	914 628 203 11	Nozzle		2	
2	823 955 451	Fluid tank		1	
		F >>92482 01225			
		F >>92483 30098			
2A	477 955 451 A	Fluid tank		1	
		F 92482 01226>>			
		F 92483 30099>>			
3	477 955 455	Lid		1	
		F >>92482 01225			
		F >>92483 30098			
3A		Lid		1	
4	477 955 456	Connection piece		1	
4A	477 955 459	T-socket		1	
5	911 628 749 00	Valve		1	
6	477 955 461	Speed nut		1	
		6,3 X 22			
7	900 151 029 02	Washer		1	
8	N 013 891 1	Hexagon-head tapping screw		1	
		B 6,3 X 19			
9	900 075 083 02	Hexagon-head bolt		2	
		M 8 X 25			
10	900 151 008 02	Washer		2	
11	900 027 015 02	Lock ring		2	
11	900 027 015 03	Lock ring		2	
12	N 011 008 8	Hexagon nut		2	
13	914 628 433 00	Valve		1	
14	477 955 481	Valve		1	
15	823 955 651	Pump		1	
16	477 971 939	Cable terminal		4	
16	PCG 971 939	Cable terminal		4	
17	131 611 751	Grommet		1	
-	N 020 301 1	Hose		*	
-	PCG 020 301 10	Hose		X	
		4 X 1			
		3000 MM			
18		460 MM		1	
		F 92482 01226>>			
		F 92483 30099>>			
19		110 MM		2	
20		400 MM		1	
		F >>92482 01225			
		F >>92483 30098			
20A		170 MM		2	
		F 92482 01226>>			
		F 92483 30099>>			
21		460 MM		1	
22		1900 MM		1	
		F >>92482 01225			
		F >>92483 30098			
22A		1450 MM		1	
		F 92482 01226>>			
		F 92483 30099>>			

Model: 924 76

Model life 1976>>1979



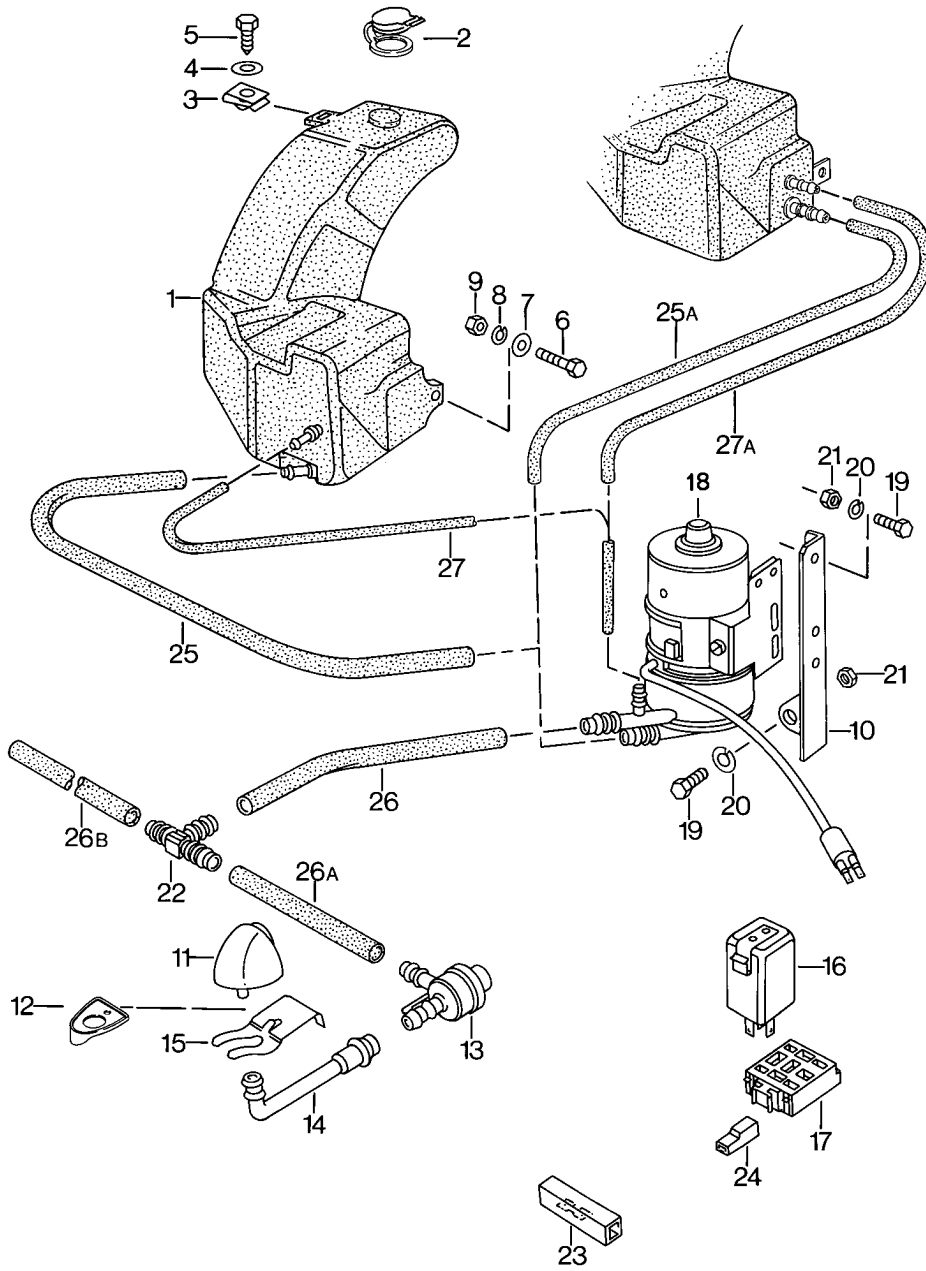
Model: 924 76

Model life 1976&gt;&gt;1979

Pos	Part Number	Description	Remark	Qty	Model
1	477 955 451 D	Windscreen washer system Water reservoir	79	1	
(1)	477 955 451 A	F 92492 04907>> F 92493 30238>> Fluid tank		1	
2	477 955 455	F >>92492 04906 F >>92493 30237 Lid		1	
3	477 955 461	Speed nut 6,3 X 22		1	
4	900 151 029 02	Washer		1	
5	N 013 891 1	Hexagon-head tapping screw B 6,3 X 19		1	
6	N 010 218 6	Hexagon-head bolt M 6 X 25		1	
7	N 011 612 3	Washer		4	
7	N 011 612 C	Washer		4	
8	900 076 010 02	Nut		2	
8	900 076 010 0B	Nut		2	
9	N 010 220 3	Hexagon-head bolt M 6 X 30		1	
10	052 109 135	Spacer sleeve		1	
11	823 955 651	Pump		1	
12	911 628 749 00	Valve		1	
13	477 955 456	Connection piece		1	
14	477 955 459	T-socket		1	
-	N 020 301 1	Hose		*	
-	PCG 020 301 10	Hose 4 X 1 3000 MM		X	
15		500 MM		2	
16		260 MM		1	
17		280 MM		1	
18		1640 MM		1	
19		390 MM		1	
20		160 MM		2	
21	914 628 433 00	Valve		1	
22	477 955 481	Valve		1	
23	477 971 939	Cable terminal		4	
23	PCG 971 939	Cable terminal		4	
24	914 628 203 11	Nozzle		2	

Model: 924 76

Model life 1976>>1979





Model: 924 76 Model life 1976>>1979

Pos	Part Number	Description	Remark	Qty	Model
		Headlight washer system	-78		M288
1	477 955 451 A	Fluid tank		1	
2	911 628 167 00	Lid		1	
3	477 955 461	Speed nut 6,3 X 22		1	
4	900 151 029 02	Washer		1	
5	N 013 891 1	Hexagon-head tapping screw B 6,3 X 19		1	
6	900 075 083 02	Hexagon-head bolt M 8 X 25		2	
7	900 151 008 02	Washer		2	
8	900 027 015 02	Lock ring		2	
8	900 027 015 03	Lock ring		2	
9	N 011 008 8	Hexagon nut		2	
10	477 955 661	Support for Pump POS. 1 - 10 F >>92482 01225 F >>92483 30098		1	
11	477 955 179	Spray nozzle		2	
12	477 955 196	Desk pad		2	M036/058
13	113 955 187	Pressure control valve		2	
14	477 955 194	Connecting piece Not for (USA), (CDN)		2	
(14)	911 628 809 00	Connecting piece		2	M036
15	477 955 195 B	Retainer spring		2	
16	113 955 200	Relay		1	
17	135 937 501 A	Relay carrier		1	
18	477 955 679 A	Pump		1	
19	900 014 004 02	Pan-head screw M 5 X 15		3	
20	N 012 005 3	Lock ring		3	
(20)	N 011 692 3	Washer		2	
21	N 011 005 14	Hexagon nut		3	
21	900 076 091 01	Hexagon nut		3	
22	113 955 975 B	T-piece		1	
23	111 937 077 E	Cable connection		1	
24	825 971 990	Terminal sleeve housing		1	
-	N 020 340 1	Hose		*	
25		450 MM F >>92482 01225 F >>92483 30098		1	
-	999 181 806 40	Hose		*	
25A		10 X 3 140 MM F 92482 01226>> F 92483 30099>>		1	
-	N 020 126 1	Pipe		*	
26		12,5 X 1,25 480 MM		1	
26A		890 MM		1	
26B		100 MM		1	
-	N 020 301 1	Hose		*	
-	PCG 020 301 10	Hose		X	
27		4 X 1 3000 MM 400 MM F >>92482 01225 F >>92483 30098		1	
27A		170 MM F 92482 01226>>		1	

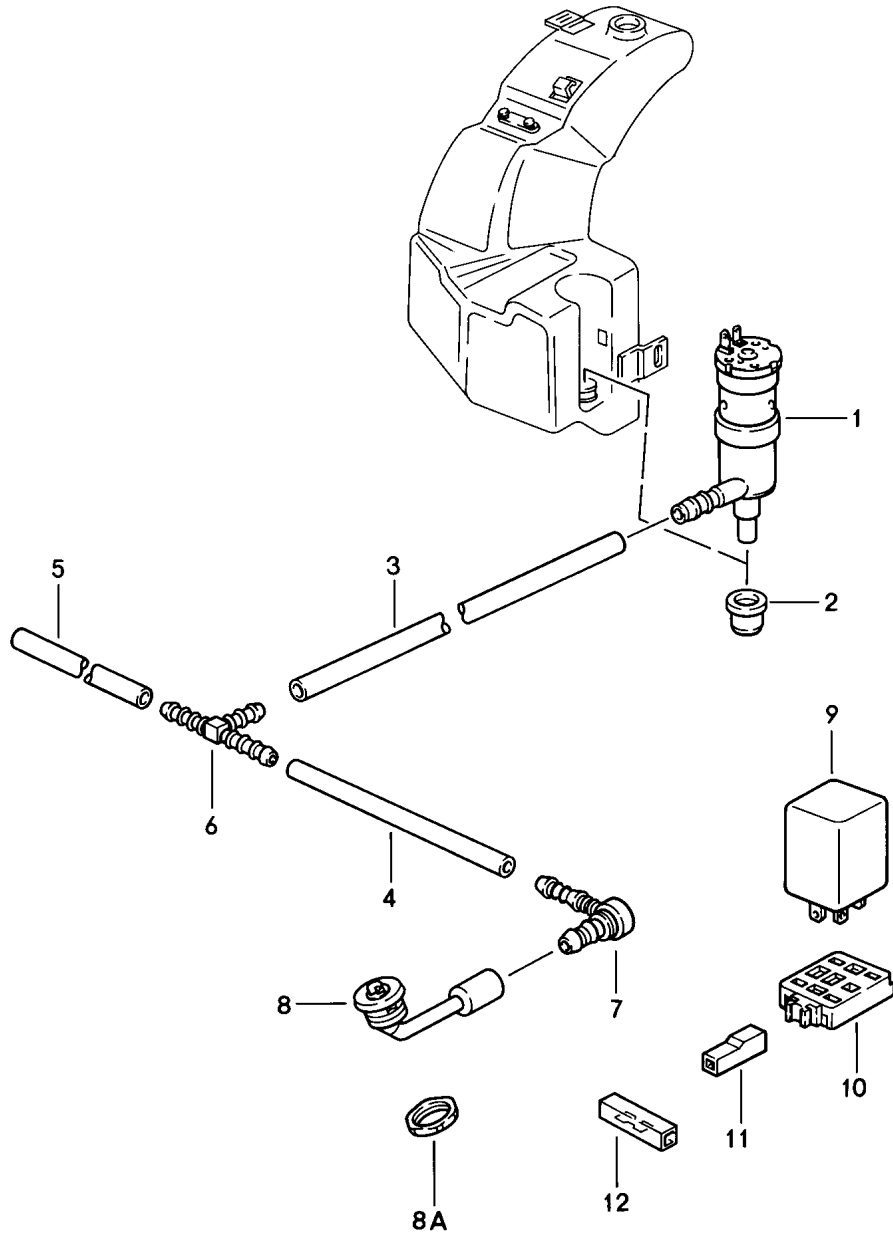
Model: 924 76

Model life 1976>>1979

Pos	Part Number	Description	Remark	Qty	Model
-	477 809 035	F 92483 30099>> Support for Container F >>92482 01225 F >>92483 30098		1	
-	477 955 997	Installation set Headlight washer system for subsequent installation		1	

Model: 924 76

Model life 1976>>1979



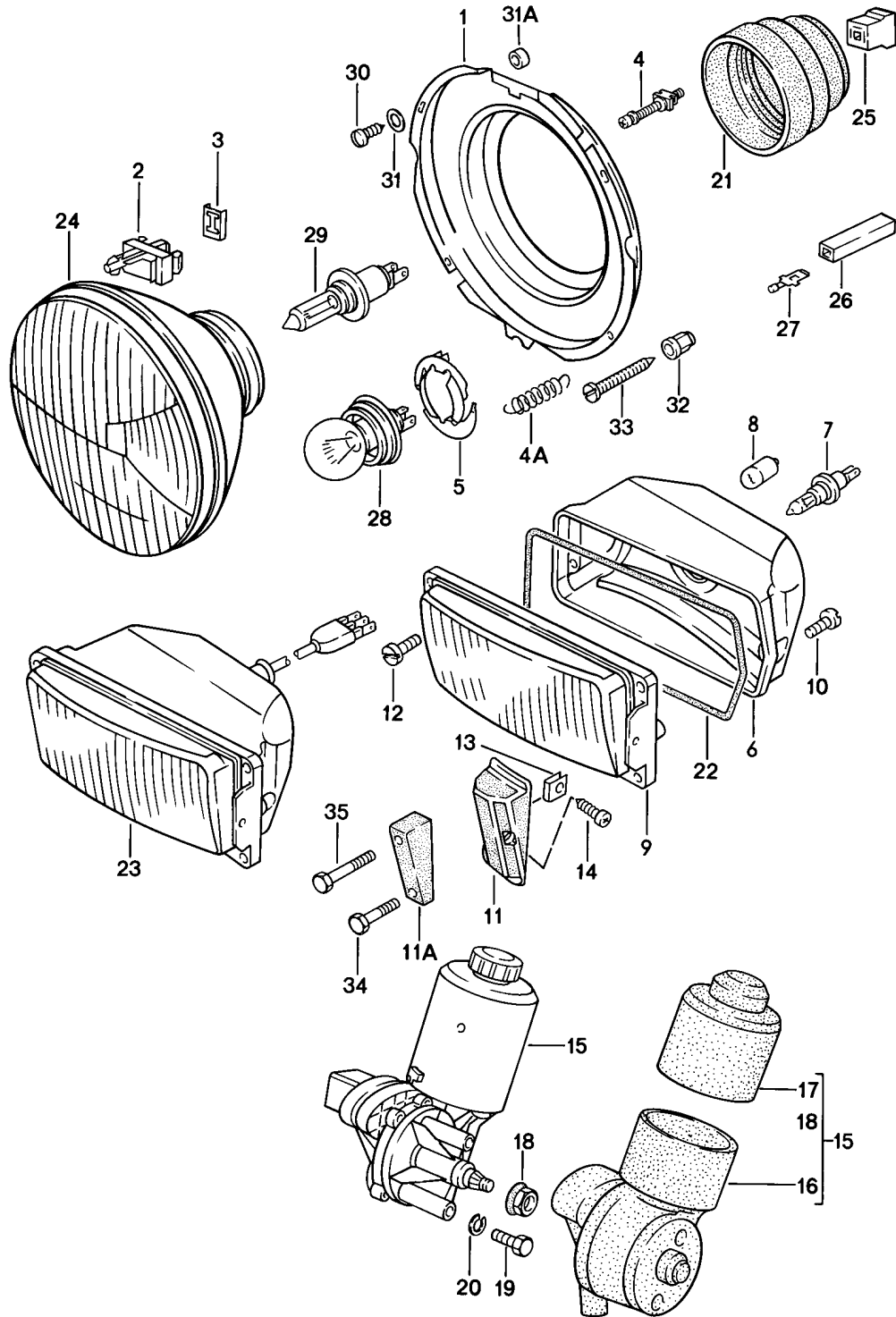
Model: 924 76

Model life 1976>>1979

Pos	Part Number	Description	Remark	Qty	Model
		Headlight washer system	79-		M288
1	191 955 681	Pump		1	
2	431 955 465 A	Gasket		1	
-	N 020 126 1	Pipe		*	
3		410 MM		1	
4		890 MM		1	
5		100 MM		1	
6	113 955 975 B	T-piece		1	
7	477 955 183	Pressure control valve		2	
8	477 955 177	Jet carrier		2	
8A	N 019 121 1	Nut		2	
9	928 618 111 00	Relay		1	
10	135 937 501 A	Relay carrier		1	
11	825 971 990	Terminal sleeve housing		1	
12	111 937 077 E	Cable connection		1	

Model: 924 76

Model life 1976>>1979



Model: 924 76 Model life 1976>>1979

Pos	Part Number	Description	Remark	Qty	Model
		Headlamp			
		Electric motor			
		Pop-up headlight			
		Not for			
		(USA), (CDN)			
1	477 941 046	Retaining frame		2	
2	321 941 133	Articulated piece		2	
3	321 941 135	Tab washer		2	
		Articulated piece			
4	113 941 141	Adjusting screw		4	
4A	321 941 157	Tension spring		2	
5	111 941 160	Retainer spring	(J)	2	
6	477 941 311	Reflector	/L	1	
(6)	477 941 311 A	Reflector	/R	1	
7	900 631 126 90	Halogen bulb		2	
		YC 12 V 55 W			
8	900 631 103 90	Bulb		2	
9	944 631 407 00	Additional headlamp	/L	1	
		with			
		Retaining frame			
(9)	944 631 408 00	Additional headlamp	/R	1	
		with			
		Retaining frame			
10	N 014 122 8	Oval-head screw		6	
10	N 014 122 17	Oval-head screw		6	
		M 4 X 8			
11	477 807 153	Buffer	/L	1	
(11)	477 807 154	Buffer	/R	1	
11A	477 807 401	Buffer	/L	1	M058
(11A)	477 807 402	Buffer	/R	1	M058
12	900 146 011 02	Oval-head screw		6	
		AM 4 X 10			
13	477 807 191	Speed nut		2	
13	999 591 772 01	Speed nut		2	
14	900 143 047 07	Tapping screw		2	
		B 4,2 X 19			
14	900 073 007 01	Tapping screw		2	
		B 4,2 X 19			
15	477 941 379 A	Electric motor	-78	1	
(15)	477 941 379 B	Pop-up headlight	79-	1	924
		Electric motor			
		Pop-up headlight			
16	477 941 386	Protection cap		1	924
		Lower			
17	477 941 387	Protection cap		1	
-	477 941 383	Diode		X	
		Pop-up headlight			
18	999 084 045 02	Lock nut		1	
(18)	999 084 049 02	Lock nut		1	
19	999 072 005 09	Hexagon nut		3	
		M 6 X 12			
19	999 072 005 01	Hexagon nut		3	
		M 6 X 12			
20	N 012 006 4	Lock ring		3	
21	477 941 659 A	Cap		2	
		Headlamp unit			
22	477 941 715	Gasket		2	
23	477 941 751 D	High-beam headlight	/L	1	
		for			
		F >>92481 30450			
		Use also:			
		477.971.347			
(23)	477 941 752 D	High-beam headlight	/R	1	

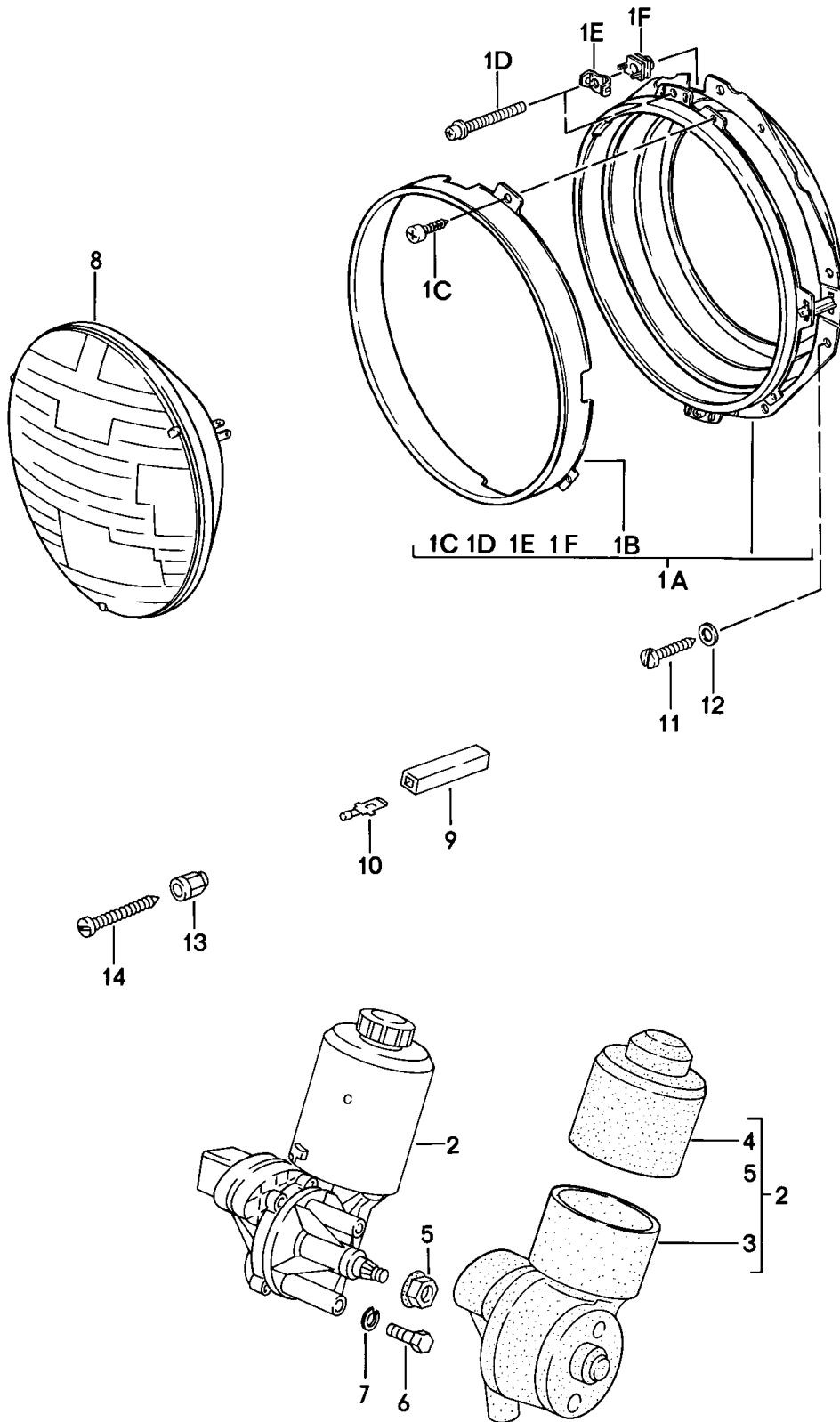
Model: 924 76

Model life 1976>>1979

Pos	Part Number	Description	Remark	Qty	Model
		for F >>92483 30450 Use also: 477.971.347			
(24)	477 941 775 C	Headlamp	(J)	2	
25	111 941 341	Terminal sleeve housing 3-pole		2	
26	111 971 977	Flat connector socket		6	
27	111 971 986	Flat plug with Clip		6	
28	900 631 109 90	Bulb	(J)	2	
30	N 013 964 4	Oval-head sheetmetal screw B 4,2 X 16		8	
(30)	900 143 041 00	Oval-head sheetmetal screw B 3,9 X 19		8	
31	900 025 003 02	Washer		8	
(31)	900 025 002 02	Washer		8	
(31)	900 025 002 03	Washer		8	
31A	477 941 543	Spacer sleeve		X	
32	477 857 173	Clip		2	
33	N 043 979 2	Tapping screw BZ 4,2 X 45		2	
34	N 030 116 1	Oval-head screw		2	M058
35	N 030 117 2	Oval-head screw Fog headlamp See group 0/02/00		2	M058

Model: 924 76

Model life 1976>>1979



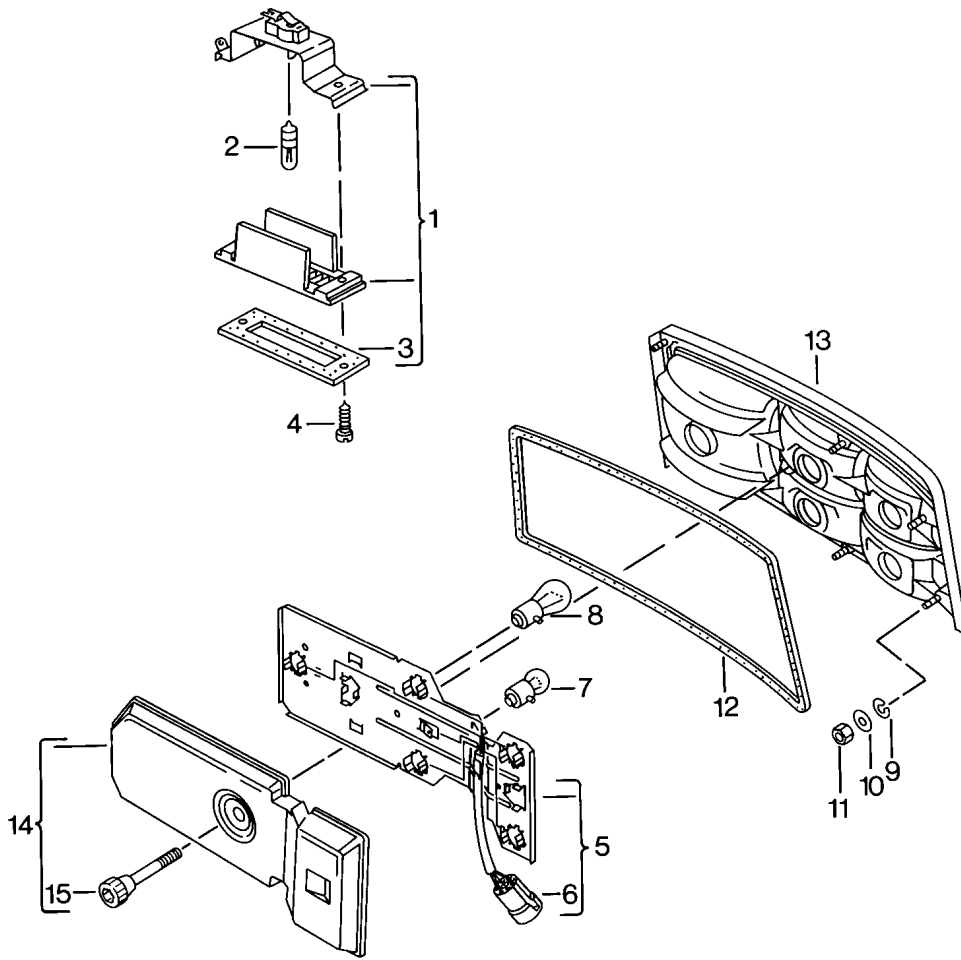


Model: 924 76 Model life 1976>>1979

Pos	Part Number	Description	Remark	Qty	Model
		Headlamp			
		Electric motor			
		Pop-up headlight	(CDN) (USA)		
1A	477 941 050 A	Retaining frame		2	
(1B)	111 941 049	Retaining ring		2	
		F >>92472 30502			
1B	111 941 049 A	Retaining ring		2	
		F 92472 30503>>			
1C	N 013 961 2	Oval-head sheetmetal screw		6	
1C	N 013 961 11	Oval-head sheetmetal screw		6	
1D	477 941 143	Adjusting screw		4	
		F 92472 30503>>			
1E	477 941 145	Retainer spring		4	
		F 92472 30503>>			
1F	477 941 147	Threaded piece		4	
		F 92472 30503>>			
2	477 941 379 A	Electric motor	-78	1	
		Pop-up headlight			
(2)	477 941 379 B	Electric motor	79-	1	
		Pop-up headlight			
3	477 941 386	Protection cap		1	
		Lower			
4	477 941 387	Protection cap		1	
-	477 941 383	Diode		X	
		Pop-up headlight			
5	999 084 045 02	Lock nut		1	
(5)	999 084 049 02	Lock nut		1	
6	999 072 005 09	Hexagon nut		3	
		M 6 X 12			
6	999 072 005 01	Hexagon nut		3	
		M 6 X 12			
7	N 012 006 4	Lock ring		3	
8	N 017 614 2	Sealed-beam		2	
		Insert			
		12 V - 60/50 W			
8	999 631 127 90	Headlamp unit		2	
		SEALED BEAM			
		12V - 60/50W			
9	111 971 977	Flat connector socket		6	
10	111 971 986	Flat plug		6	
		with			
		Clip			
11	N 013 964 4	Oval-head sheetmetal screw		8	
		B 4,2 X 16			
(11)	900 143 041 00	Oval-head sheetmetal screw		8	
		B 3,9 X 19			
12	900 025 003 02	Washer		8	
(12)	900 025 002 02	Washer		8	
(12)	900 025 002 03	Washer		8	
13	477 857 173	Clip		2	
14	N 043 979 2	Tapping screw		2	
		BZ 4,2 X 45			
		Fog headlamp			
		See group			
		0/02/00			

Model: 924 76

Model life 1976>>1979

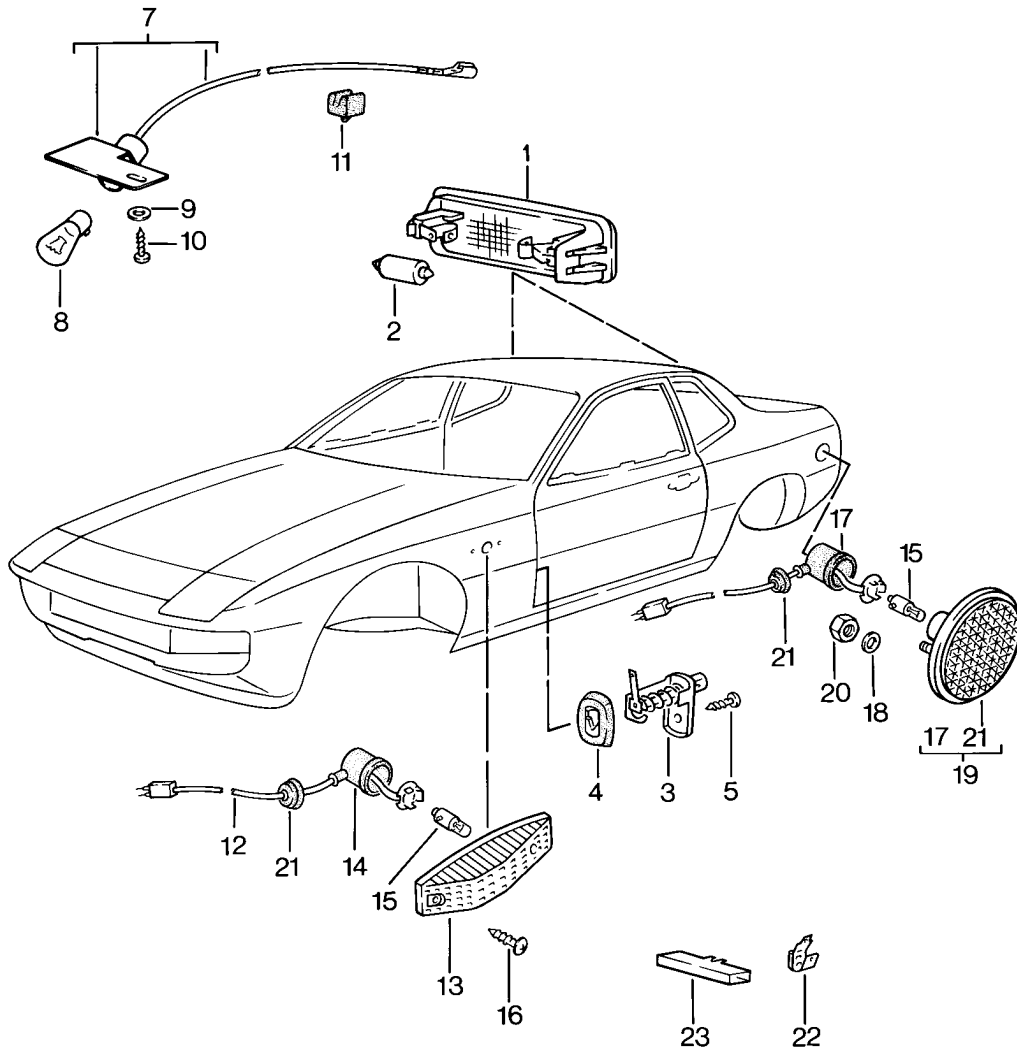


Model: 924 76 Model life 1976>>1979

Pos	Part Number	Description	Remark	Qty	Model
		License plate light			
		Rear light			
1	477 943 021 A	License plate light		2	
2	900 631 103 90	Bulb		2	
		HL 12 V, 4 W			
3	477 943 131	Gasket		2	
4	N 013 961 2	Oval-head sheetmetal screw		2	
		B 3,9 X 13			
4	N 013 961 11	Oval-head sheetmetal screw		2	
		B 3,9 X 13			
5	477 945 113	Bulb holder	/L	1	
-	PCG 945 114	Bulb socket	/L	1	
		for			
		Bulb holder			
(5)	477 945 113 A	Bulb holder	/L (CDN) (USA)	1	
-	PCG 945 114	Bulb socket	/L (CDN) (USA)	1	
		for			
		Bulb holder			
(5)	477 945 114	Bulb holder	/R	1	
(5)	477 945 114 A	Bulb holder	/R (CDN) (USA)	1	
-	PCG 945 114	Bulb socket	(CDN) (USA)	1	
		for			
		Bulb holder			
6	803 971 980	Pin connector socket		2	
		7-pole			
7	900 631 104 90	Bulb		2	
8	900 631 127 90	Bulb		7	
		RL 12 V, 21 W			
9	N 012 005 3	Lock ring		12	
10	N 012 225 1	Spring washer		12	
11	N 011 005 14	Hexagon nut		12	
11	900 076 091 01	Hexagon nut		12	
-	000 043 172 00	Sealing cord		*	
		\$ 9 MM			
		Roller			
		10M			
12		1070 MM		2	
13	477 945 205	Housing	/L	1	
(13)	477 945 206	Housing	/R	1	
(13)	477 945 213	Housing	/L (CDN) (USA)	1	
(13)	477 945 214	Housing	/R (CDN) (USA)	1	
14	477 945 285	Cap		2	
15		Cap		2	

Model: 924 76

Model life 1976>>1979



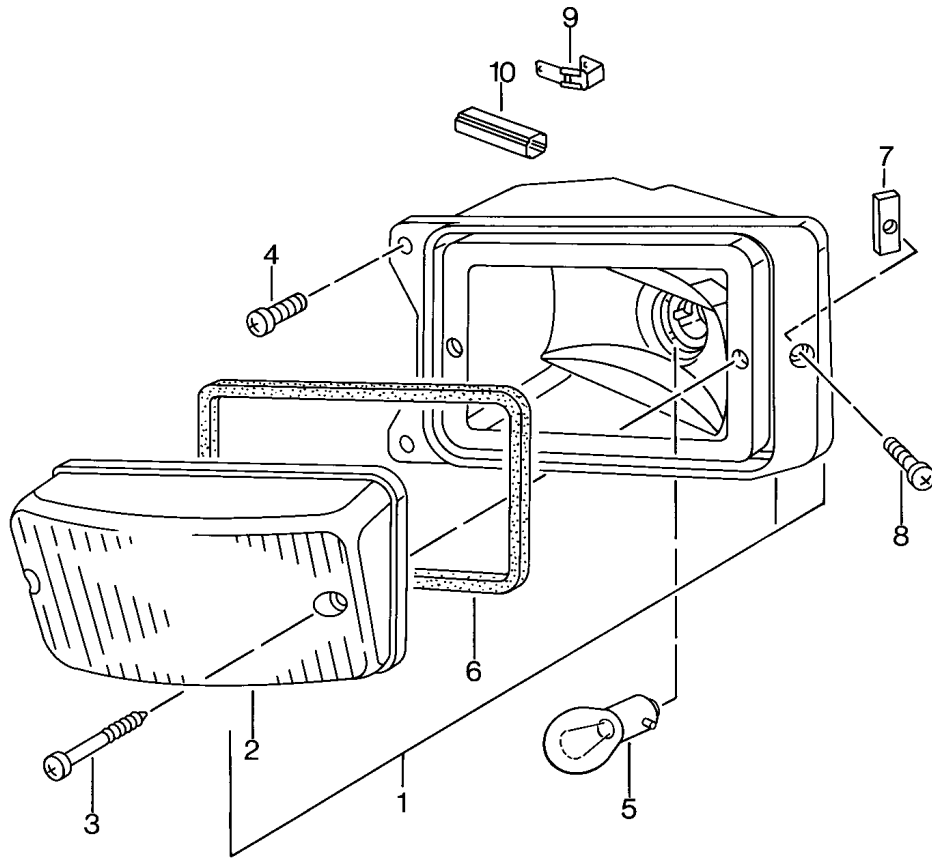
Model: 924 76

Model life 1976>>1979

Pos	Part Number	Description	Remark	Qty	Model
		Interior light			
		Direction indicator light			
		Lateral			
1	823 947 105 B	Interior light		1	
(1)		Interior light		1	
(1)	171 947 311	Glove compartment light		1	
2	900 631 106 90	Linolite lamp		2	
		K 12 V, 10 W			
(2)	999 631 018 90	Bulb		1	
		M 12 V, 3 W			
3	968 613 601 00	Contact switch		2	
4	944 613 114 00	Gasket		2	
5	N 013 957 5	Oval-head sheetmetal screw		2	
		BZ 3,5 X 9,5			
7	477 947 601 A	Engine compartment lamp		1	
8	900 631 115 90	Bulb		1	
		G 12 V, 10 W			
9	900 151 028 02	Washer		1	
9	900 151 028 01	Washer		1	
10	900 143 031 02	Oval-head sheetmetal screw		1	
		B 4,2 X 9,5			
11	477 947 633	Clip		3	
12	477 949 111	Bulb holder		2	M046
13	321 949 117	Direction indicator light		2	M046
		Yellow			
14	321 945 139	Gasket		2	M046
		Direction indicator light			
15	900 631 103 90	Bulb		6	M046
		HL 12 V, 4 W			
16	N 013 964 4	Oval-head sheetmetal screw		4	M046
		B 4,2 X 16			
17	321 945 139	Gasket	(CDN) (USA)	4	
18	311 201 235 A	Gasket	(CDN) (USA)	4	
(19)	477 945 051 A	Housing	/V (CDN) (USA)	2	
		Lens			
		Yellow			
19	477 945 061 A	Housing	/H (CDN) (USA)	2	
		Lens			
		Red			
20	477 945 135	Knurled nut	(CDN) (USA)	8	
21	311 971 913	Grommet		6	M046
22	111 971 511	Line distributor		2	M046
23	111 971 977	Flat connector socket		2	M046
		Simple			
-	999 591 380 02	Cable clamp		2	

Model: 924 76

Model life 1976>>1979

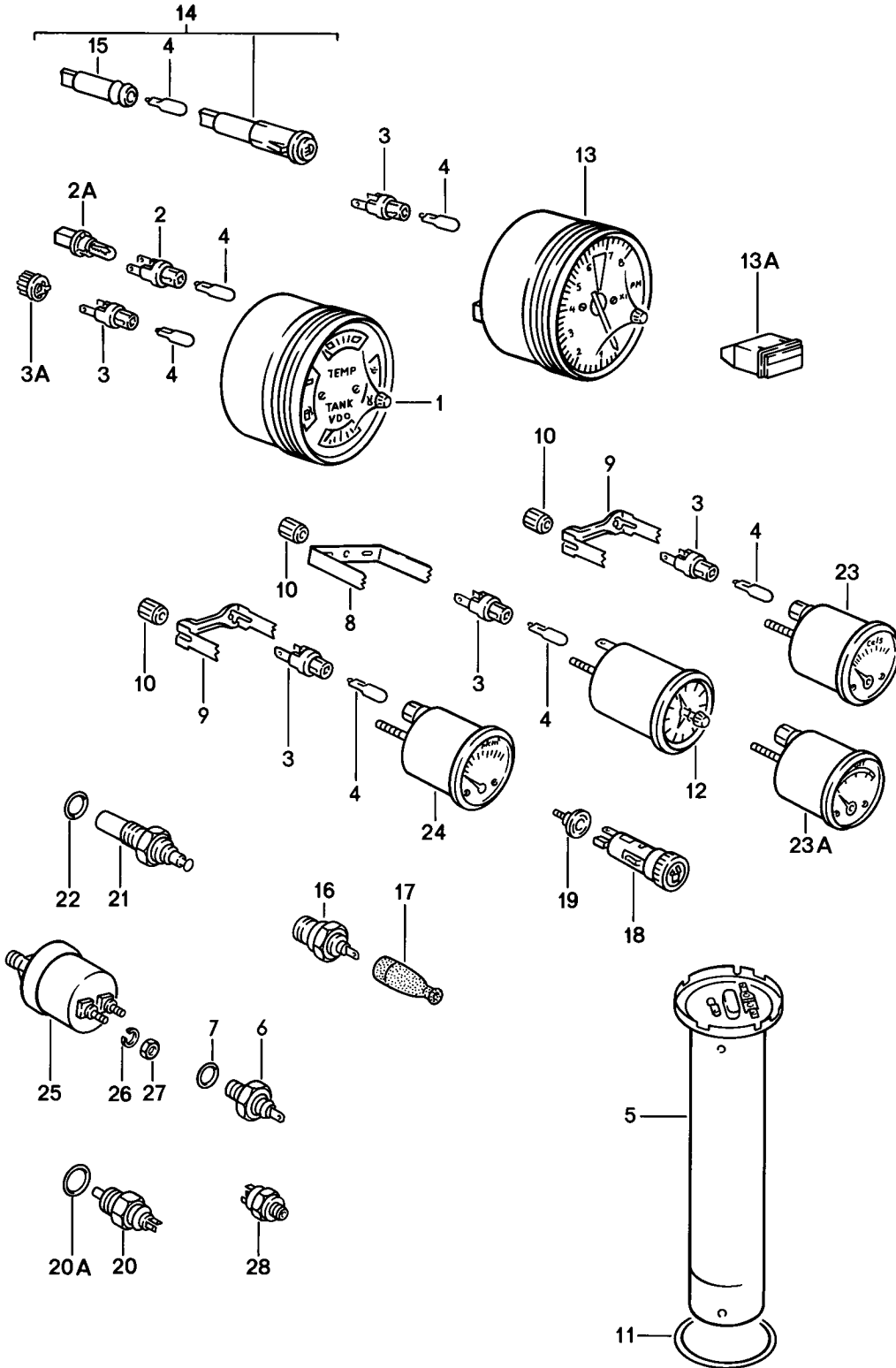


Model: 924 76 Model life 1976>>1979

Pos	Part Number	Description	Remark	Qty	Model
1	477 953 043	Direction indicator light Front Direction indicator light Not for (USA),(CDN) F >>92483 30116 Use also: 477.971.347	/L	1	
(1)	477 953 044	Direction indicator light Not for (USA),(CDN) F >>92483 30116 Use also: 477.971.347	/R	1	
(1)	477 953 043 A	Direction indicator light F >>92482 02154 Use also: 477.971.347	(CDN) (USA)	2	
-	477 971 347	Intermediate cable F >>92482 02154 F >>92483 30116		X	
2	477 953 161	Lens Not for (USA),(CDN)	/L	1	
(2)	477 953 161 A	Lens	(CDN) (USA)	2	
(2)	477 953 162	Lens Not for (USA),(CDN)	/R	1	
3	331 945 185	Oval-head sheetmetal screw Not for (USA),(CDN)		4	
(3)	321 953 169 A	Oval-head sheetmetal screw		4	
4	900 146 011 02	Oval-head screw AM 4 X 10		4	
(5)	900 631 128 90	Bulb SL 12 V, 21/5 W		4	
6	477 953 165	Gasket		2	
-	477 953 171	Cover for Oval-head screw BM 4 X 25 Z		2	
7	477 953 661	Threaded plate		1	
8	N 014 136 4	Oval-head screw BM 4 X 25 Z		2	
(8)	N 030 102 1	Oval-head screw	(CDN) (USA) 78-	4	
-	111 971 911 A	Grommet F >>92483 30116		2	

Model: 924 76

Model life 1976>>1979





Model: 924 76 Model life 1976>>1979

Pos	Part Number	Description	Remark	Qty	Model
1	477 919 033	Instruments Instrument cluster for XE XF XG XG F 92472 33567>>	(J) (J) (CDN) (USA) -78	1	
(1)	477 919 035 A	Instrument cluster for XH XF XG F >>92472 33566	(CDN) (USA)	1	(CAL)
(1)	477 919 033 B	Instrument cluster	79-	1	924
-	N 012 226 5	Spring washer		2	M157
-	900 076 010 02	Nut		2	M157
-	900 076 010 0B	Nut		2	
2	914 631 179 10	Bulb socket		5	
2A	999 631 301 90	Bulb		7	
3	999 632 017 02	Bulb socket		6	
(3)	477 919 301	Bulb socket Indicator light Generator	-78	1	
3A	928 641 927 00	Bulb socket Indicator light Generator	79-	1	
3A	928 641 927 01	Bulb socket Indicator light Generator	79-	1	
(3)	477 919 213	Bulb socket Clock		1	
4	900 631 132 90	Bulb W 12 V 1,2 W		X	
(4)	900 631 019 90	Glass-base bulb 12 V - 3 W		1	
5	477 919 051	Tank gauge F >>92492 03645 F >>92493 30200		1	924
5	477 919 051 B	Tank gauge Tank gauge F 92492 03646>> F 92493 30201>>		1	
6	021 919 081 D	Oil pressure switch		1	
7	N 013 808 3	Sealing ring		1	
8	477 919 115	Retaining bar Clock		1	
9	321 919 115 C	Retaining bar for oil pressure gauge Oil temperature gauge		2	M414
10	411 957 117	Knurled nut		5	
11	113 919 131 A	O-ring F >>92492 03645 F >>92493 30200		1	924
11	477 919 133	O-ring Sealing ring F 92492 03646>> F 92493 30201>>		1	
(11)	477 919 133	Sealing ring		1	
12	477 919 211	Clock		1	924
13	477 919 205 A	Tachometer	-78	1	
(13)	477 919 205 G	Tachometer	79-	1	924
14	477 919 209	Indicator light for		1	

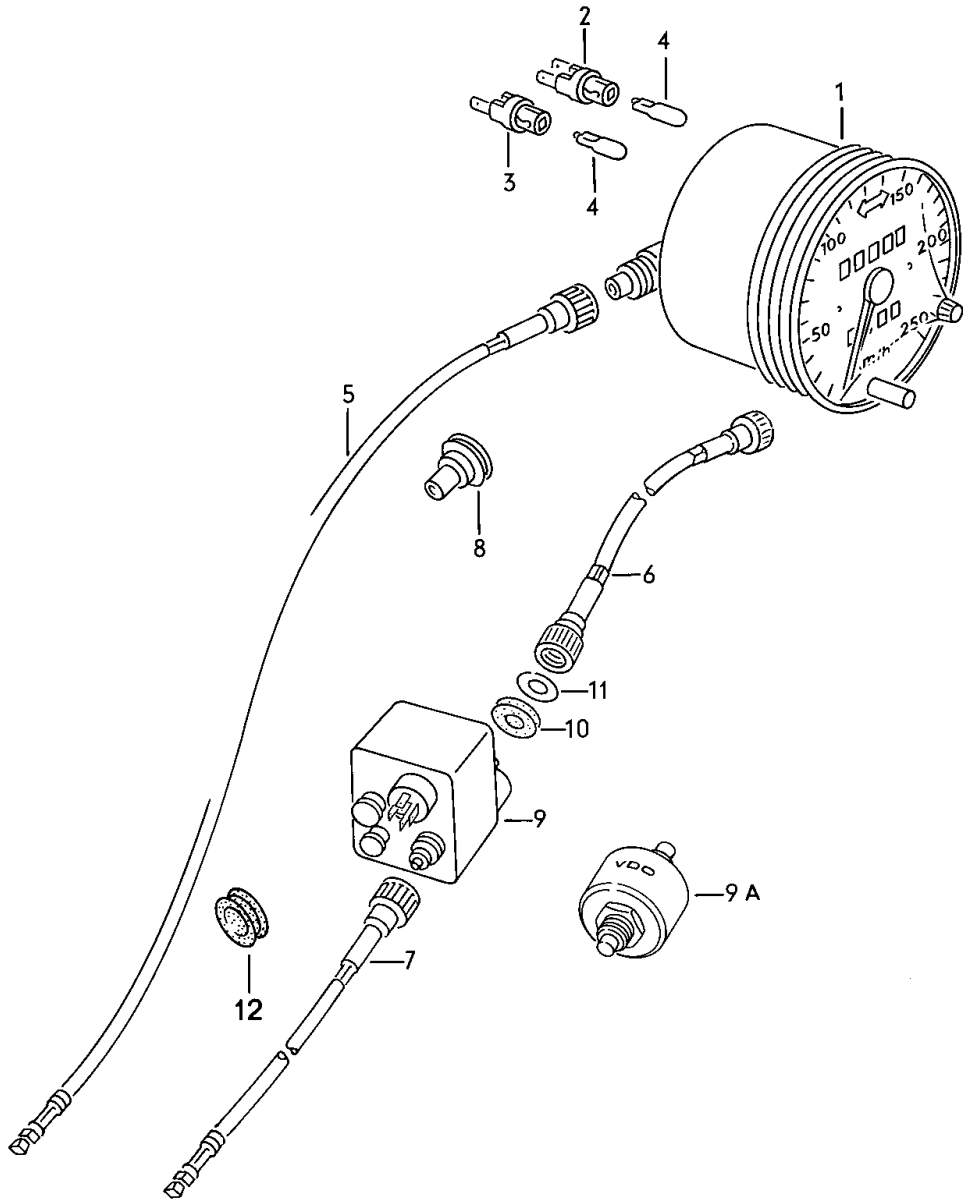
Model: 924 76

Model life 1976>>1979

Pos	Part Number	Description	Remark	Qty	Model
(14)	911 632 015 01	High beam Indicator light	(J)	1	
14A	113 919 232 C	Exhaust gas Temperature monitoring Indicator light	(CDN) (USA)	1	
(14A)	113 919 232 D	Seat belt Brake Indicator light	(J)	1	
15	111 919 243	Bulb socket		1	
15		Bulb socket	(J)	1	
16	477 919 268	Temperature sensor		1	M414
17	477 971 933	Oil temperature gauge Protection cap		1	M414
(17)	111 951 195 A	Rubber sleeve		1	
18	477 919 305	Oil temperature gauge Cigarette lighter		1	
-	N 012 469 1	Circlip for Cigarette lighter		1	
19	411 919 317	Glower		1	
(20)	084 941 521	Back-up light switch	78-	1	
20A	900 123 106 30	Sealing ring		1	
21	047 919 501 A	Temperature sensor		1	
22	N 013 806 2	Sealing ring		1	
23	477 919 541	Oil temperature gauge		1	M414
23A	477 919 531	Voltmeter		1	924
23A	477 919 531 D	Voltmeter		1	924
24	477 919 551 E	Oil pressure indicator		1	M414
25	047 919 561	Oil pressure sender		1	
26	N 012 221 3	Spring washer		2	
27	N 011 004 6	Hexagon nut		2	
27	N 011 004 G	Nut		2	
28	113 945 515 G	Brake light switch 3-pole		1	

Model: 924 76

Model life 1976>>1979



Model: 924 76 Model life 1976>>1979

Pos	Part Number	Description	Remark	Qty	Model
1	477 957 021	Speedometer Electric speedometer Not for (USA),(J)	-78	1	
(1)	477 957 021 A	Electric speedometer with Warning function	(J)	1	
(1)	477 957 023	Electric speedometer MPH		1	M020
2	914 631 179 10	Bulb socket		1	
3	999 632 017 02	Bulb socket		2	
4	900 631 132 90	Bulb		3	
5	142 957 801 C	Drive shaft for XE XG	(CDN) (USA)	1	
6	181 957 809	F 92472 33567>> Drive shaft for XH/XF		1	
6		Drive shaft for XG XG	(J) (CDN) (USA)	1	
7	114 957 809 A	F >>92472 33566 Drive shaft for XH/XF		1	
7		Drive shaft for XG XG	(J) (CDN) (USA)	1	
-	900 116 003 02	F >>92472 33566 Lock washer		1	
-	900 116 003 09	Lock washer		1	
8	477 957 861	Rubber sleeve	/LL	1	
9	477 957 901	Counter switch for XH XF		1	(CAL)
9		Counter switch for XG	(CDN) (USA)	1	
9A	477 957 901 B	F >>92472 33566 Switch for Warning function	(J)	1	
10	477 957 907	Speedometer Rubber washer for XH XF		1	(CAL)
10		Rubber washer for XG	(CDN) (USA)	1	
11	431 721 494	F >>92472 33566 Washer for XH/XF		1	
11		Washer for XG XG	(J) (CDN) (USA)	1	

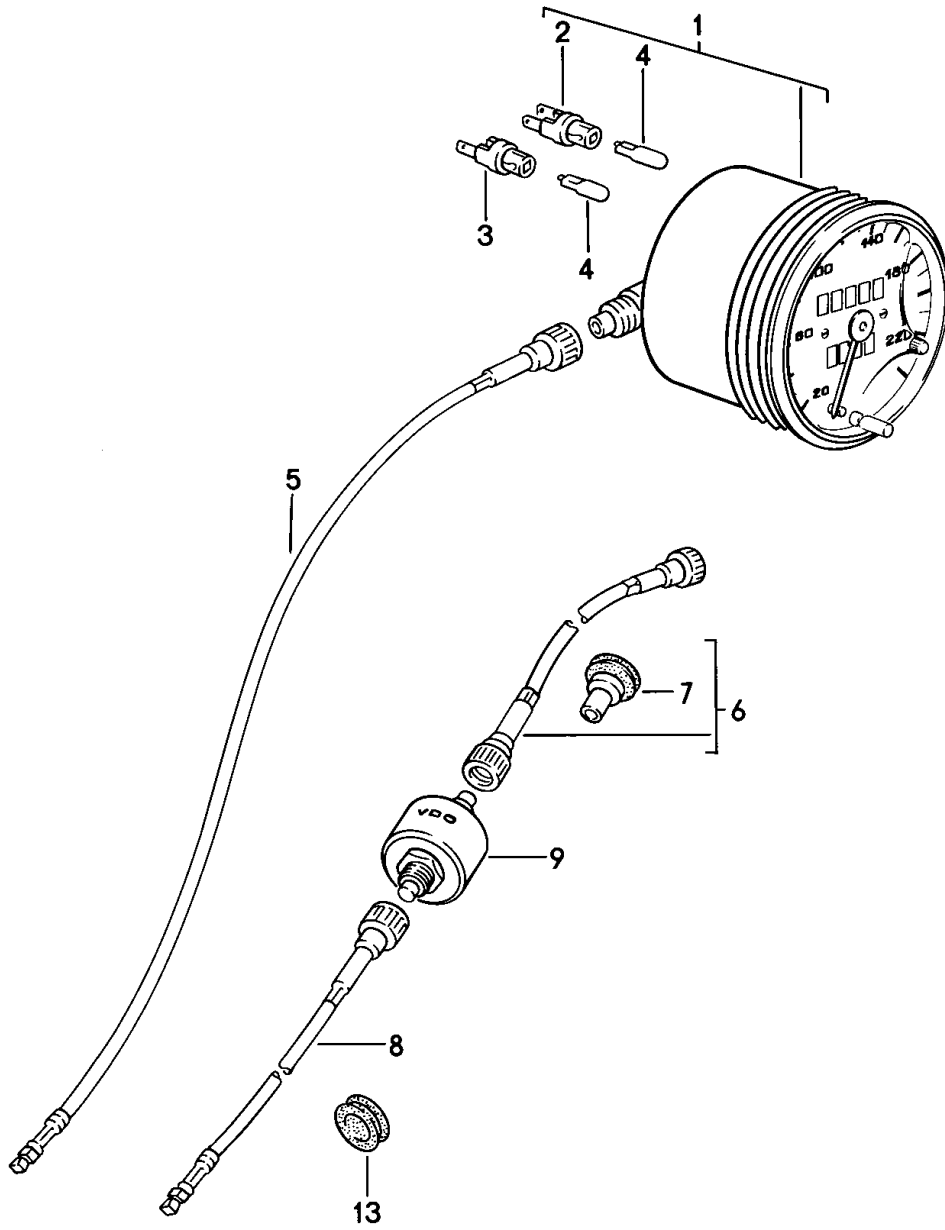
Model: 924 76

Model life 1976>>1979

Pos	Part Number	Description	Remark	Qty	Model
		F >>92472 33566			
-	901 503 399 02	Rubber washer	(J)	4	
-	321 951 307	Buzzer	(J)	1	
-	477 971 850 A	Tie-wrap		X	
12	113 957 855	Rubber sleeve		1	

Model: 924 76

Model life 1976>>1979

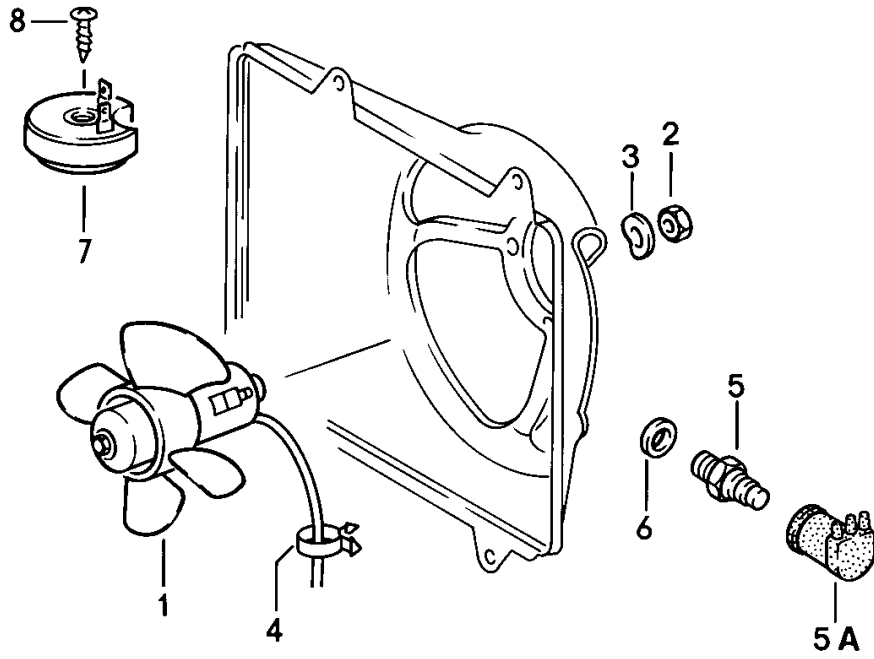


Model: 924 76 Model life 1976>>1979

Pos	Part Number	Description	Remark	Qty	Model
1	944 641 021 00	Speedometer Speedometer Not for (USA),(J)		1	79 924
(1)	477 957 021 E	Speedometer with Warning function	(J)	1	
(1)	944 641 025 00	Speedometer 170 MPH		1	924
(1)	477 957 023 B	Speedometer 85 MPH / 140 KM/H	(USA)	1	
2	914 631 179 10	Bulb socket		1	
3	999 632 017 02	Bulb socket		2	
4	900 631 132 90	Bulb		3	
5	142 957 801 C	Drive shaft Not for (J)	/LL	1	
6	477 957 809 B	Drive shaft	(J)	1	
7	477 957 861	Rubber sleeve Not for (J)	/LL	1	
8	111 957 801 J	Drive shaft	(J)	1	
9	477 957 901 B	Switch for Warning function	(J)	1	
-	900 116 003 02	Lock washer		1	
-	900 116 003 09	Lock washer		1	
-	321 951 307	Buzzer	(J)	1	
13	113 957 855	Rubber sleeve		1	

Model: 924 76

Model life 1976>>1979





Model: 924 76

Model life 1976>>1979

Pos	Part Number	Description	Remark	Qty	Model
1	477 959 455 C	Electric fan		1	
(1)	823 959 455 F	Electric fan		1	M573
		Use also:			
-	477 971 349	Intermediate cable		X	
2	900 076 010 02	Nut		3	
2	900 076 010 0B	Nut		3	
3	N 011 524 7	Washer		3	
3	N 011 524 27	Washer		3	
4	999 651 168 40	Cable holder		1	
5	823 959 481 F	Temperature switch		1	
5A	477 971 934	Protection cap		1	
6	900 123 118 30	Sealing ring		1	
		A 22 X 27			
7	477 905 053	Series resistor		1	
(7)	477 905 052	Series resistor		1	M573
		F 92472 31687>>			
		F 92473 30075>>			
8	N 013 968 1	Oval-head sheetmetal screw	-78	1	
		B 4,8 X 13			
(8)	N 013 964 4	Oval-head sheetmetal screw	79-	1	
		B 4,2 X 16			
-	477 971 349	Intermediate cable		1	
		Use also:			
		477.959.455.B			
		823.959.455.F			
		F >>92472 30686			
		F >>92472 30074			

Model: 924 76

Model life 1976>>1979



Model: 924 76

Model life 1976&gt;&gt;1979

Pos	Part Number	Description	Remark	Qty	Model
>>	477 955 997	Repair kits Installation set Headlight washer system F >>92482 01225 F >>92483 30098 Comprising:		1	
-	477 955 451 A	Fluid tank		1	
-	911 628 167 00	Lid		1	
-	477 955 461	Speed nut 6,3 X 22		1	
-	900 151 029 02	Washer B 6,4		1	
-	N 013 891 1	Hexagon-head tapping screw B 6,3 X 19		1	
-	477 809 035	Support		1	
-	900 075 083 02	Hexagon-head bolt M 8 X 25		1	
-	N 011 525 13	Washer A 8,4		1	
-	900 027 015 02	Lock ring B 8		1	
-	900 027 015 03	Lock ring B 8		1	
-	N 011 008 8	Hexagon nut M 8		1	
-	477 955 661	Support		1	
-	477 955 679 A	Pump		1	
-	900 014 004 02	Pan-head screw M 5 X 15		3	
-	N 012 005 3	Lock ring B 5		3	
-	N 011 005 14	Hexagon nut M 5		3	
-	900 076 091 01	Hexagon nut M 5		3	
-	N 011 692 3	Washer 5,1		3	
-	N 020 340 1	Hose 10 X 3 X 500 MM		1	
-	N 020 126 1	Pipe 12,5 X 1,25 X 2000 MM		1	
-	N 020 301 1	Hose 4 X 1 X 500 MM		1	
-	PCG 020 301 10	Hose 4 X 1 3000 MM		1	
-	113 955 975 B	T-piece		1	
-	113 955 187	Pressure control valve		2	
-	477 955 194	Connecting piece		2	
-	477 955 195 B	Retainer spring		2	
-	477 955 179	Spray nozzle		2	
-	900 074 015 02	Hexagon-head bolt M 6 X 30		1	
-	900 074 015 03	Hexagon-head bolt M 6 X 30		1	
-	900 151 029 02	Washer 6,4		2	
-	900 076 010 02	Nut M 6		1	
-	900 076 010 0B	Nut M 6		1	
-	N 012 226 5	Spring washer		1	
-	135 937 501 A	Relay carrier		1	

Model: 924 76 Model life 1976>>1979

Pos	Part Number	Description	Remark	Qty	Model
-	113 955 200	Relay		1	
-	825 971 990	Terminal sleeve housing		1	
-	111 937 077 E	Cable connection		1	
-	477 971 205	Wiring harness		1	
-	477 971 322	Double line		1	
-	477 971 827 B	Cable connection		1	
-	477 955 702	Switch		1	
		Together with M036			
		Use also:			
-	911 628 809 00	Connecting piece		2	
-	477 955 196	Desk pad		2	
>>	477 955 997 A	Installation set		1	
		Headlight washer system			
		F 92482 01226>>			
		F 92483 30099>>			
		F >>92482 11638			
		F >>92483 30450			
		Comprising:			
-	477 955 679 A	Pump		1	
-	900 014 004 02	Pan-head screw		2	
		M 5 X 15			
-	N 012 005 3	Lock ring		2	
		B 5			
-	N 011 692 3	Washer		2	
		5,1			
-	N 011 005 14	Hexagon nut		2	
		M 5			
-	900 076 091 01	Hexagon nut		2	
		M 5			
-	999 181 806 40	Hose		*	
		10 X 3 X 500 MM			
-	N 020 301 1	Hose		1	
		4 X 1 X 500 MM			
-	PCG 020 301 10	Hose		1	
		4 X 1			
		3000 MM			
-	N 020 126 1	Pipe		1	
		12,5 X 1,25 X 2000 MM			
-	113 955 975 B	T-piece		1	
-	113 955 187	Pressure control valve		2	
-	477 955 194	Connecting piece		2	
-	477 955 195 B	Retainer spring		2	
-	477 955 179	Spray nozzle		2	
-	135 937 501 A	Relay carrier		1	
-	113 955 200	Relay		1	
-	825 971 990	Terminal sleeve housing		1	
-	477 971 827 B	Cable connection		1	
-	477 971 205	Wiring harness		1	
-	477 971 322	Double line		1	
-	477 955 702	Switch		1	
		Together with M036			
		Use also:			
-	911 628 809 00	Connecting piece		2	
-	477 955 196	Desk pad		2	
>>	477 955 997 B	Installation set	79-	1	
		Headlight washer system			
		Comprising:			
-	191 955 681	Pump		1	
-	431 955 465 A	Gasket		1	
-	N 020 126 1	Pipe		X	
		12,5 X 1,25			

Model: 924 76 Model life 1976>>1979

Pos	Part Number	Description	Remark	Qty	Model
-		410 MM		1	
-		890 MM		1	
-		100 MM		1	
-	113 955 975 B	T-piece		1	
-	477 955 183	Pressure control valve		2	
-	477 955 177	Jet carrier		2	
-	N 019 121 1	Nut		2	
		MPG 11			
-	928 618 111 00	Relay		1	
-	135 937 501 A	Relay carrier		1	
-	825 971 990	Terminal sleeve housing		1	
-	111 937 077 E	Cable connection		1	
-	477 971 827 B	Cable connection		1	
-	477 971 205	Wiring harness		1	
-	477 971 322 A	Double line		1	
-	477 955 702	Switch		1	
>>	477 941 903 A	Installation set	79-	1	
		Fog headlamp			
		Light-diffusing lens			
		White			
		Comprising:			
-	477 941 703 B	Fog headlamp		2	
-	900 631 126 90	Halogen bulb		2	
		YC 12 V - 55 W			
-	N 011 010 6	Hexagon nut		2	
		M 10			
-	N 101 552 10	Hexagon nut		2	
		M 10			
-	900 027 016 02	Lock ring		2	
		B 10			
-	900 027 016 03	Lock ring		2	
		B 10			
-	900 025 008 09	Washer		2	
		A 10,5			
-	900 025 008 04	Washer		2	
		A 10,5			
-	131 867 549	Clamp		2	
-	477 941 535	Switch		1	
-		Switch		1	
-	141 957 397 A	Bulb socket		1	
-	900 631 132 90	Bulb		1	
		W 12 V - 1,2 W			
-	477 963 137	Relay		1	
-	477 971 490 A	Wiring harness		1	
-	477 971 491 A	Wiring harness		1	
-	477 971 827 B	Cable connection		1	
>>	477 941 903	Installation set	-78	1	
		Fog headlamp			
		Light-diffusing lens			
		White			
		Comprising:			
-	477 941 703 B	Fog headlamp		2	
-	900 631 126 90	Halogen bulb		2	
		YC 12 V - 55 W			
-	N 011 010 6	Hexagon nut		2	
		M 10			
-	N 101 552 10	Hexagon nut		2	
		M 10			
-	900 027 016 02	Lock ring		2	
		B 10			
-	900 027 016 03	Lock ring		2	
		B 10			
-	900 025 008 09	Washer		2	

Model: 924 76

Model life 1976&gt;&gt;1979

Pos	Part Number	Description	Remark	Qty	Model
-	900 025 008 04	A 10,5 Washer		2	
-	131 867 549	A 10,5 Clamp		2	
-	477 941 535	Switch		1	
-		Switch		1	
-	141 957 397 A	Bulb socket		1	
-	900 631 132 90	Bulb		1	
		W 12 V - 1,2 W			
-	928 615 119 00	Relay		1	
-	928 615 119 01	Relay		1	
-	477 971 490	Wiring harness		1	
-	477 971 491 A	Wiring harness		1	
-	477 971 946 A	Intermediate cable		2	
-	477 971 827 B	Cable connection		1	